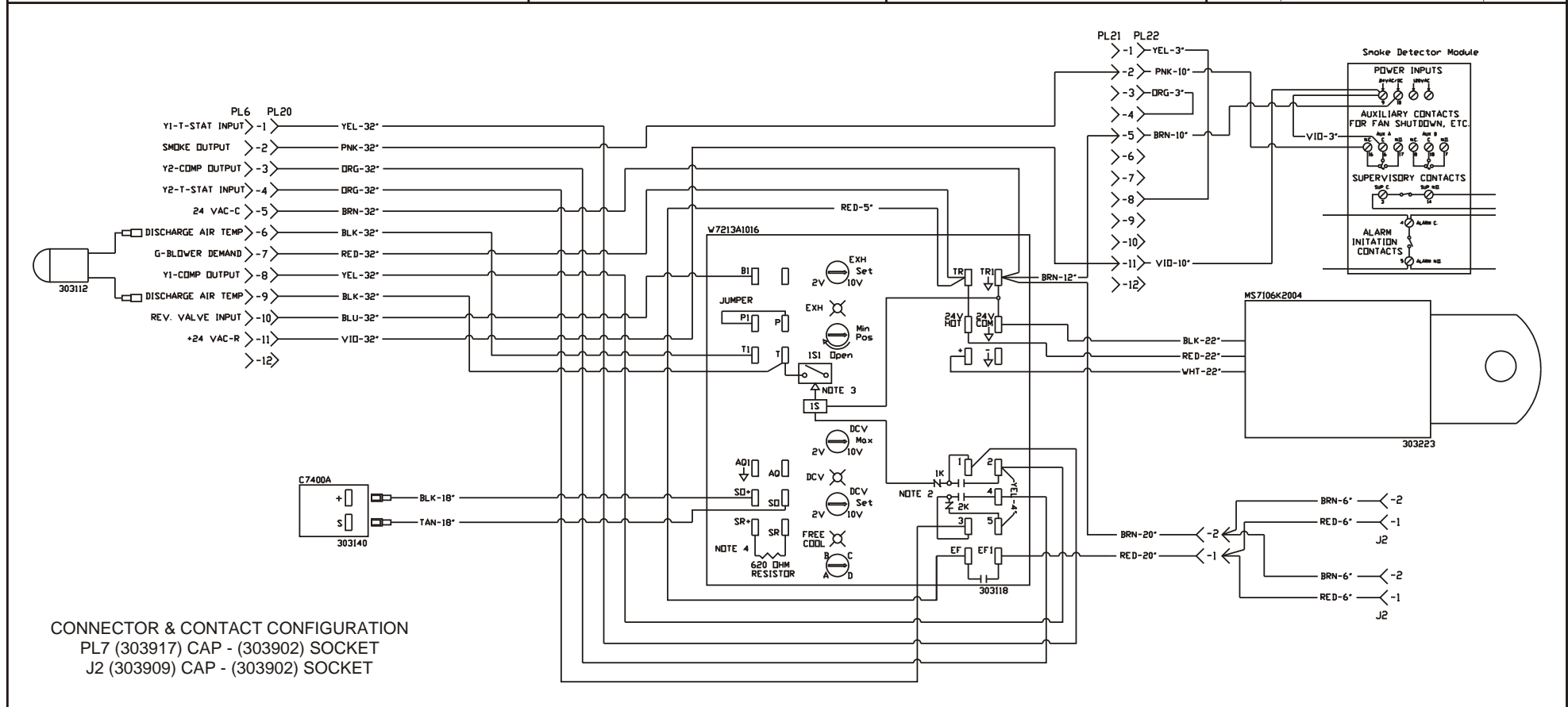


| MATERIALS LIST |           |                             |
|----------------|-----------|-----------------------------|
| QTY.           | RSI PART# | DESCRIPTION                 |
| 45"            | 303002    | Wire 18 Ga. Violet          |
| 3"             | 303003    | Wire 18 Ga. Yellow          |
| 3"             | 303007    | Wire 18 Ga. Orange          |
| 42"            | 303009    | Wire 18 Ga. Pink            |
| 22"            | 303010    | Wire 18 Ga. Brown           |
| 1              | 303112    | Mixed Air Sensor            |
| 1              | 303118    | Logic Module                |
| 1              | 303140    | Enthalpy Control            |
| 1              | 303223    | Damper Actuator             |
| 1              | 303530    | Smoke Detector              |
| 1              | 303532    | Sampling Tube 36"           |
| 1              | 303604    | ¼" Male Slip-on Adapter     |
| 3              | 303617    | Wire Tie - Push Mount       |
| 1              | 303905    | AMP 12 Cir Plug Conn. Male  |
| 3              | 303912    | AMP Pin Contact Male        |
| 9              | 303913    | AMP Socket Contact Female   |
| 1              | 303917    | AMP 12 Cir Cap Conn. Female |
| 1              | 303H08    | Wiring Harness              |

| COMPONENT CODE |                       | WIRE COLOR CODE |       | Revision | Change | Date |
|----------------|-----------------------|-----------------|-------|----------|--------|------|
| C7400A         | Fresh Air Sensor      | BLK             | Black | BLU      | Blue   |      |
| 9RT1H          | Mixed Air Sensor      | BRN             | Brown | GRN      | Green  |      |
| J2             | Power Exhaust Cap     | GRY             | Gray  | ORG      | Orange |      |
| MS7106K        | Damper Actuator 24v   | PNK             | Pink  | RED      | Red    |      |
| PL6            | Male A/C Unit Plug    | TAN             | Tan   | VIO      | Violet |      |
| PL20           | Female Economizer Cap | WHT             | White | YEL      | Yellow |      |
| PL21           | Male Smoke Plug       |                 |       |          |        |      |
| PL22           | Female Smoke Cap      |                 |       |          |        |      |
| W7213A         | Logic Module          |                 |       |          |        |      |



- Notes:
- Unit wiring shown as reference only. Check unit wiring for actual unit wiring.
  - Relays 1K and 2K actuate when the Outdoor Air Enthalpy is lower than the Return Air Enthalpy.
  - 1S is an electronic switch which closes when powered by a 24 VAC input.
  - Factory installed resistor should be removed only if C7400 Differential Enthalpy Sensor is added.
  - Y2 must be energized for the compressor to operate.

**Modulating Gear Economizer**  
**RKNL / RLNL 072-150**

**RUSKIN®**  
**ROOFTOP SYSTEMS**

2405 McIver Lane  
 Carrollton, Texas 75006  
 Phone: (972) 247-7447  
 Fax: (972) 243-0940

|                      |
|----------------------|
| Date: March 19, 2009 |
| Supercedes:          |
| Drawn by: MGL        |
| Unit #: 60-364-13S   |
| Diagram#: 6036413SW  |
| Approved by:         |