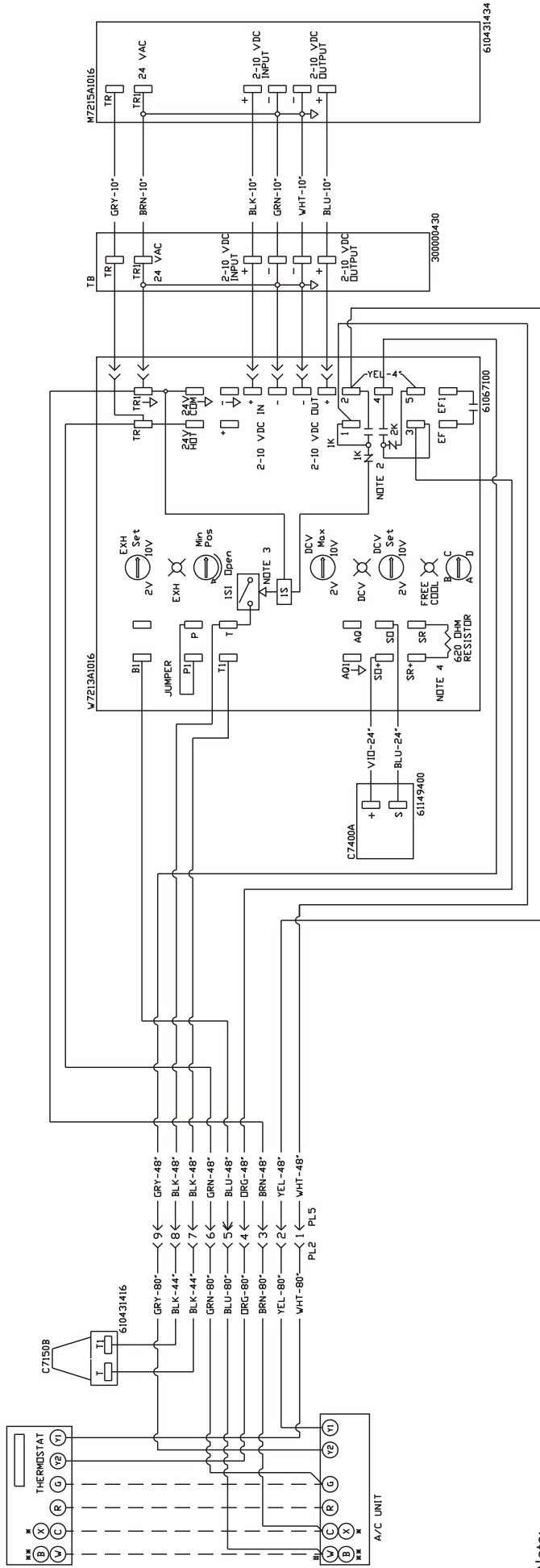


HARNESSES STARTS AT PL2		WIRE COLOR CODE		Revision		Change		Date	
E7	WHT	80"	1	Black	BLK	A	Changed wire colors	02-28-07	
E7	YEL	80"	2	Brown	BRN	B	ECN# 6945	08-06-14	
E7	BRN	80"	3	Gray	GRY				
E7	ORG	80"	4	Red	RED				
E7	BLU	80"	5	Violet	VIO				
E7	GRN	80"	6	Yellow	YEL				
E3	BLK	44"	7						
E3	BLK	44"	8						
E7	GRY	80"	9						

HARNESSES END DESIGNATION		COMPONENT CODE	
E2	STUD #6 18 Ga. Wire	C7150B	Mixed Air Sensor
E3	Female ¼ Quick Disc.	C7400A	Fresh Air Sensor
E4	Male ¼ Quick Disc. Insul	M7215A	Damper Actuator 24v
E6	Wire Nut Size 73B	PL2	Female A/C Unit Plug
E7	Raw Ends	PL5	Male Economizer Plug
		TB	Logic Terminal Board
		W7213A	Logic Module

CONNECTOR & CONTACT CONFIGURATION
 PL5 (30303903) PLUG - (30303912) PIN
 PL2 (30303904) CAP - (30303913) SOCKET



- Note:
- The "C" terminal is replaced with "X" terminal on heat pump.
 - The "W" Terminal is replaced with "B" terminal on heat pump.
 - Unit 24 low voltage pigtail "BK/WH" on packaged its "BK" and "BL" on heat pump.

- Notes:
- Unit wiring shown as reference only. Check unit wiring for actual unit wiring.
 - Relays 1K and 2K actuate when the Outdoor Air Enthalpy is lower than the Return Air Enthalpy.
 - 1S is an electronic switch which closes when powered by a 24 VAC input.
 - Factory installed resistor should be removed only if C7400 Differential Enthalpy Sensor is added.
 - Y2 must be energized for the compressor to operate.

Horizontal Economizer
 RQNL/RRNL/RSNL
 RQPL/RRPL/RSPL
 RQPW/RRRL

RRS ROOFTOP
 5757 L.W.S.
 A Huskin Company

1825 Diplomat Drive
 Carrollton, Texas 75006
 Phone: (972) 247-7447
 Fax: (972) 248-0940

Date: August 6, 2014
 Supersedes: 10-29-99
 Drawn by: MGL
 Unit #: 60-324-22
 Diagram#: 32422W
 Approved by: