

# INSTALLATION INSTRUCTIONS

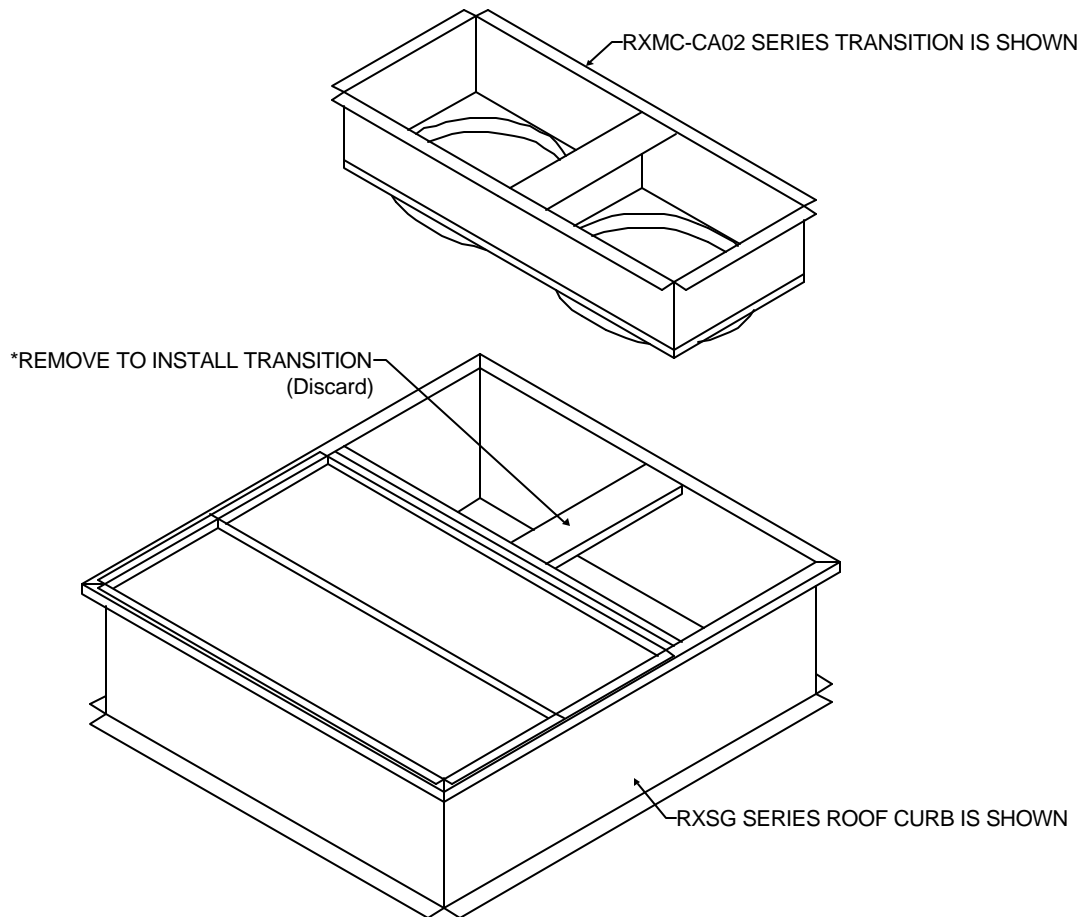
## MODEL RXMC

### CONCENTRIC CURB TRANSITION

The Concentric Curb Transition is designed to drop into the curb and convert the square duct unit connections to round duct. For use with both RXQG and RXSG roof curbs.

Duct openings are:

RXMC	RETURN	SUPPLY
CA02	16" ROUND	16" ROUND
CA03	18" OVAL OR 19" X 16" RECT	18" OVAL OR 19" X 16" RECT



#### STEP 1:

Check for correct part number and dimensions listed above:

#### STEP 2:

Attach duct to transition duct connections.

#### STEP 3:

Install transition in supply/return opening in roof curb.