

INSTALLATION INSTRUCTIONS

MODEL# RXKG SERIES

ROOF CURBS

This Roof Curb is built to NRCA specifications and is constructed of 18 gauge galvanized steel with a full perimeter 1" X 4" wood nailer strip. Curb height is determined by the part number as listed below.

▲WARNING

THIS ROOF CURB IS DESIGNED FOR USE WITH A SERIES OF UNITS THAT INCLUDE TWO CABINET SIZES. PROPER SELECTION AND ASSEMBLY OF THE SUPPORT RAILS IS REQUIRED TO ADAPT THE CURB TO THE PROPER SIZE UNIT. FIRST, DETERMINE THE LENGTH OF THE UNIT, AND THEN REFER TO THE TABLE AND DIMENSIONAL DRAWING ON PAGE 3 FOR PROPER ASSEMBLY OF THE ROOF CURB COMPONENTS.

Step 1:

Check for the correct number of parts. See list below.

RXKG-CAD14 = 14 inches high

RXKG-CAD24 = 24 inches high

Parts List For RXKG-CAD14			Parts List For RXKG-CAD24		
Description	Part #	Qty	Description	Part #	Qty
Tie Down Brackets	602012014/TDB	4	Tie Down Brackets	602012024/TDB	1
82" Unit Duct Support - 38" Long (E)	602012014/VER1	1	82" Unit Duct Support - 38" Long (E)	602012024/VER1	1
76" Unit Duct Support - 43 1/2" Long (F)	602012014/VER2	1	76" Unit Duct Support - 43 1/2" Long (F)	602012024/VER2	1
Duct Support - 20 3/8" Long (D)	602012014/HOR1	1	Duct Support - 20 3/8" Long (D)	602012024/HOR1	1
Duct Support 39" Long (C)	602012014/HOR2	1	Duct Support 39" Long (C)	602012024/HOR2	1
Insulated Panels w/ Cutouts (H)	602012014/PAN1	2	Insulated Panels w/ Cutouts (H)	602012024/PAN1	2
Insulated Panels (G)	602012014/PAN2	2	Insulated Panels (G)	602012024/PAN2	2
Curb Long Side - 71" Long (B)	602012014/CLS	2	Curb Long Side - 71" Long (B)	602012024/CLS	2
Curb Short Side - 42 3/8" long (A)	602012014/CSS	2	Curb Short Side - 42 3/8" long (A)	602012024/CSS	2
3/4" x 1 1/4" x 14' Gasket	602012014/4102	2	3/4" x 1 1/4" x 14' Gasket	602012024/4102	2
3/16" x 13 1/2" Hinge Pins	602012014/4451	4	3/16" x 23 1/2" Hinge Pins	602012024/4452	4
Hardware Bag	602012014/HDW	1	Hardware Bag	602012024/HDW	1
I & O Manual	RMICRB20R	1	I & O Manual	RMICRB20R	1
Screw (Hex Head) #10-16 x 1/2"		14	Screw (Hex Head) #10-16 x 1/2"		14

* See Chart in Figure 6

AS SHIPPED

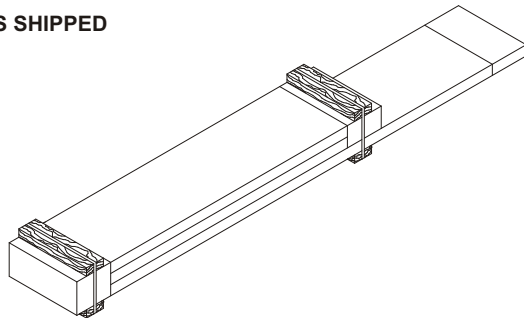


Figure 1

LAYOUT

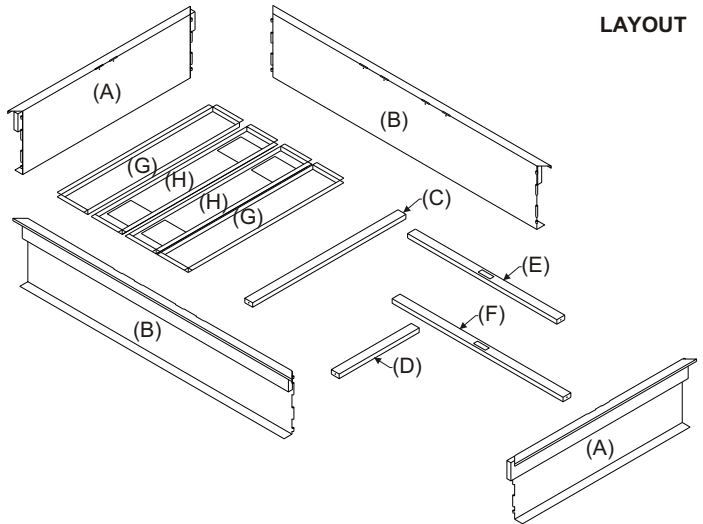


Figure 2

Step 2:

Layout the curb pieces before assembly to insure that all the necessary pieces are included.

U.S. PATENT 5148647

INSTALLATION INSTRUCTIONS

MODEL# RXKG SERIES

ROOF CURBS

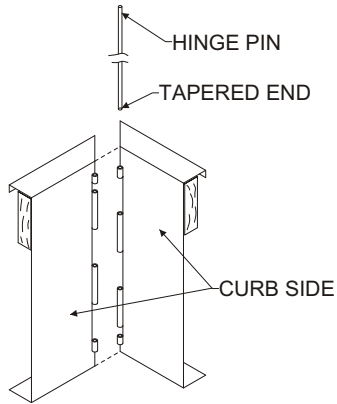


Figure 3

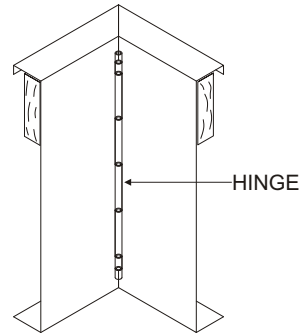


Figure 4

Step 3:

Corner Assembly: Align each curb side as shown in Figure 3. Using a hammer, drive the curb "hinge" pin down until the top of the pin is below the top of the curb as shown in Figure 4.

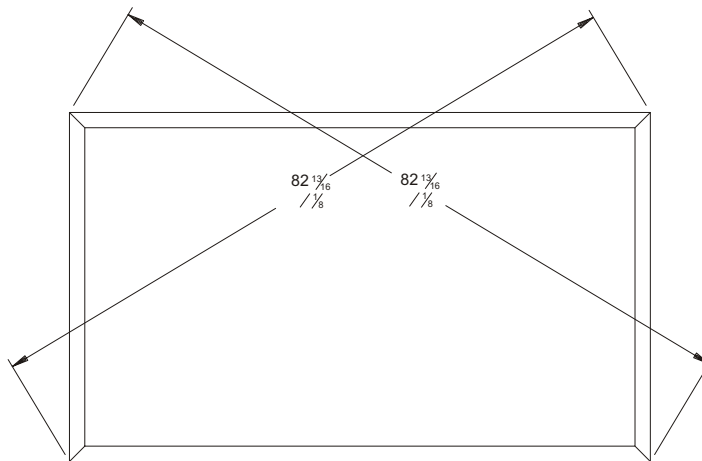


Figure 5

Step 4:

After the four corners are assembled; the curb should be checked to be sure it is in "square". Do this by measuring diagonally from each opposite corner. The two measurements should be the same for each direction as shown in Figure 5.

INSTALLATION INSTRUCTIONS

MODEL# RXKG SERIES

ROOF CURBS

DETAILS

1.

Duct support inter-locks with curb.

The duct support flange goes in the slot on the curb. Screw the duct support to the curb.

The RXKG can now have the duct support and the insulated pans installed, unless a transition (RXMC-CB03, CB04, or CC04) is to be installed. If this is the case follow transition instruction from this point.

Step 5:
Place the duct support (C) on the curb, making sure that it is in the right location. See "DETAIL #1".

Step 6:
Place duct support [(E) for 76" unit or (F) for 82" unit], see chart below, on the curb and duct support (C), making sure that it is in the right location. See "DETAIL #1 and #2".

Step 7:
Place duct support (D) on the curb and duct support (E or F) making sure that it is in the right location.

2.

Duct support inter-locks with pan or other duct support.

The duct support flange goes in the slot on the pan. Screw the duct support and pan the together.

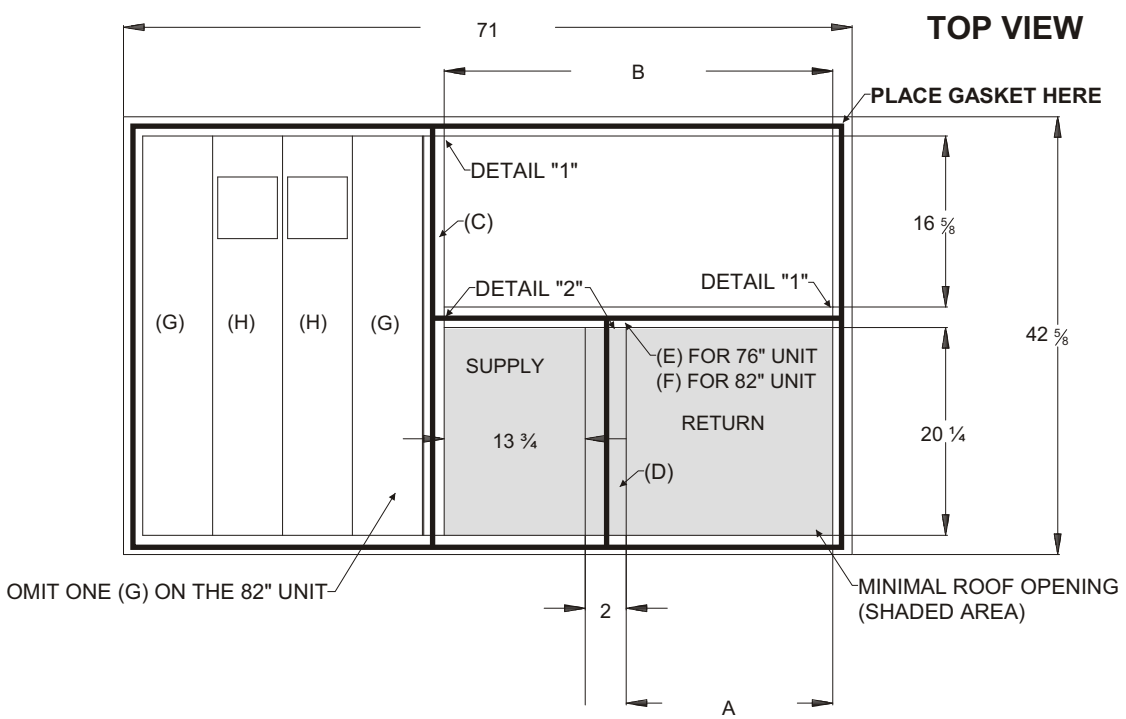


Figure 6

Unit Size: Model Series	Length of Unit cabinet	A	B	Minimal Roof Opening Size	Duct Size	
					Return	Supply
3 - 5 tons: RKNA, RKNL, RKPL, RJKA, RJNA, RJNL, RJPL, RLNA, RLNL, RLPL	76 1/4" (Standard Cabinet)	22 5/8	37 5/8	38 x 20 1/2	21 5/8 x 19 3/4	13 1/4 x 19 3/4
3 - 6 tons: RKKA, RLKA	82 1/4" (Stretch Cabinet)	27 5/8	43 5/8	43 1/2 x 20 1/2	27 5/8 x 19 3/4	13 1/4 x 19 3/4
7 1/2 ton: RKKA, RLKA						
6 ton: RKMA, RLMA, RKKL, RLKL, RJNL						

NOTE: All numeric dimensions shown are inches

INSTALLATION INSTRUCTIONS

MODEL# RXKG SERIES

ROOF CURBS

Step 8:

Install the insulation pans (G and H) on the curb as shown in figure 6. **Note: That one insulation pan (G) must be omitted for use with the 82 1/4 inch stretch cabinet.**

Note: Curb must be level and square.

Step 9:

Following applicable building codes, secure the curb to the building structure. Insulate curb sides between the nail strip and the curb base flange or roof deck insulation. Install cant strip as applicable. Insert top edge of roofing material under the top rail of the curb frame and secure to the wooden nail strip. Seal roofing material watertight. Install counter flashing as shown in illustration.

Step 10:

Install supply and return ducts into appropriate curb openings. Install gasket to the top of the curb perimeter rails and duct supports as shown in Figure 6.

Step 11:

Lower the unit into position on the curb while aligning the supply and return duct openings.

Note: The condenser end of the 82 1/4" stretch cabinet will overhang the curb by approximately 8 5/8".

Step 12:

To secure unit to curb, position unit on curb. Using four of the #10 x 1/2" self drilling screws, attach the tie down bracket furnished, as shown in "Detail". Recheck all joints to assure watertightness.

ROOF INSTRUCTIONS

