

DECORATIVE WALL GRILL RXHK-D01 & D02



RECOGNIZE THIS SYMBOL AS AN INDICATION OF IMPORTANT SAFETY INFORMATION!

▲ WARNING

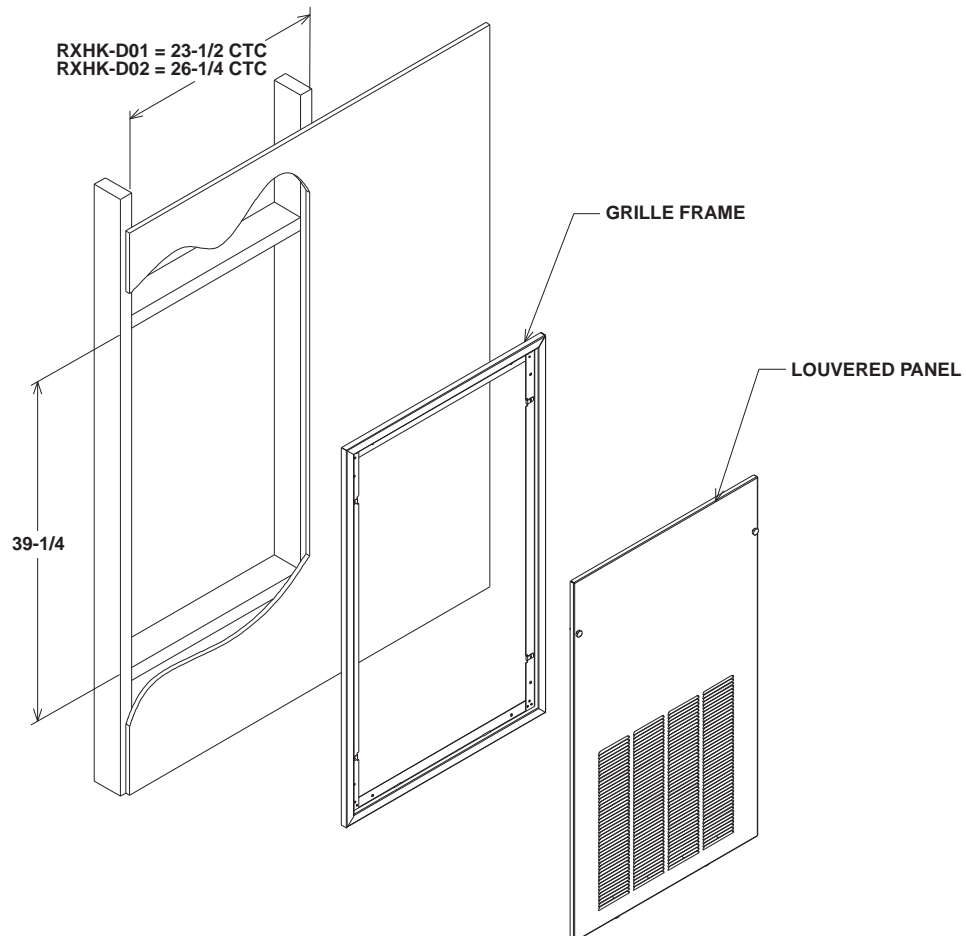
THESE INSTRUCTIONS ARE INTENDED AS AN AID TO QUALIFIED SERVICE PERSONNEL FOR PROPER INSTALLATION, ADJUSTMENT AND OPERATION OF THIS UNIT. READ THESE INSTRUCTIONS THOROUGHLY BEFORE ATTEMPTING INSTALLATION OR OPERATION. FAILURE TO FOLLOW THESE INSTRUCTIONS MAY RESULT IN IMPROPER INSTALLATION, ADJUSTMENT, SERVICE OR MAINTENANCE, POSSIBLY RESULTING IN FIRE, ELECTRICAL SHOCK, CARBON MONOXIDE POISONING, EXPLOSION, PROPERTY DAMAGE, PERSONAL INJURY OR DEATH.

The decorative wall grill is designed for applications which require ventilation for return air for air handlers which are installed inside closets or wall structures.

Parts List	
Qty.	Description
1	Decorative Door
1	Decorative Door Frame
2	#10-24 Thumb Screws
2	#10-24 Tinnerman Clip
2	#10 Retaining Washer

INSTALLATION INSTRUCTIONS

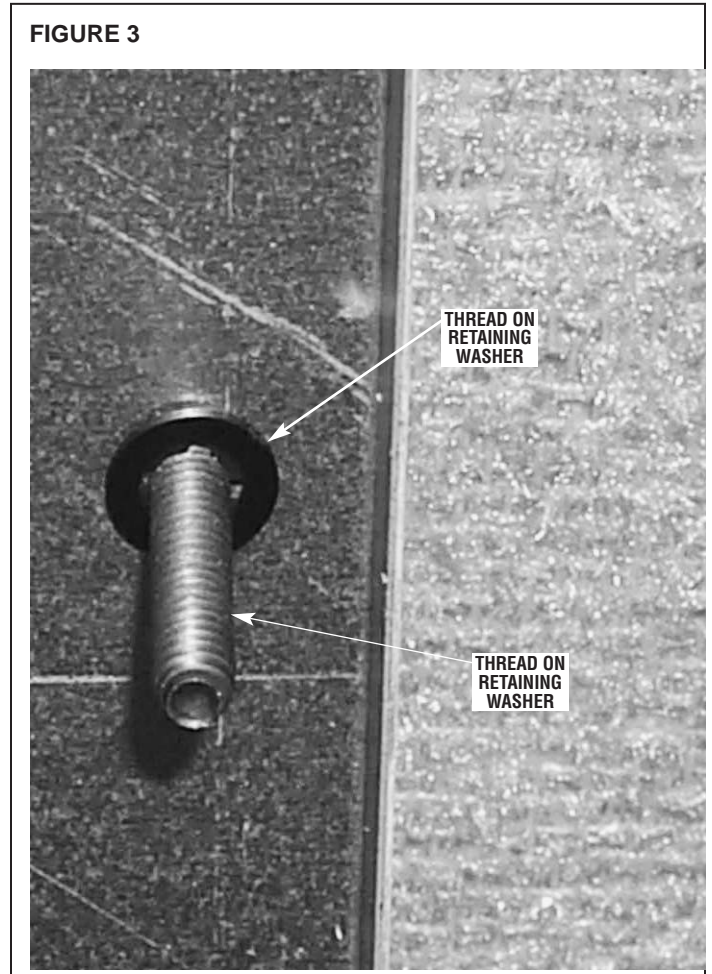
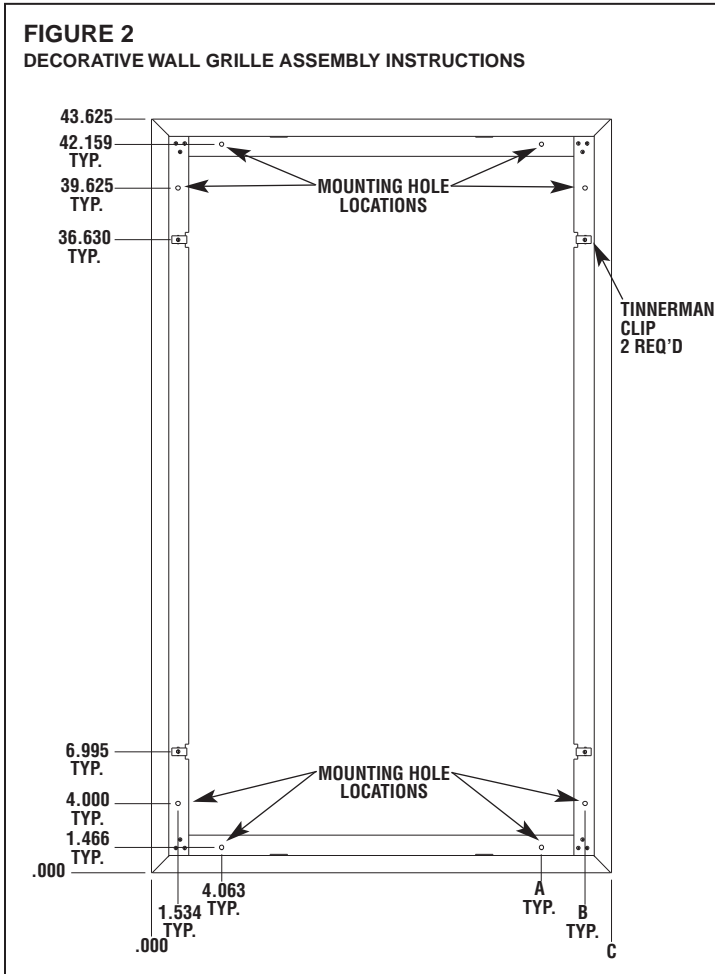
FIGURE 1



1. Verify the cutout dimensions of the wall or closet are adequate to account for the size of the frame as illustrated in figure 1.
2. Attached tinnerman clips to each side of the decorative door frame as illustrated in Figure 2.
3. Attach decorative door frame to wall or door structure using qty 8 - #10 wood screws (screws not supplied with kit). Refer-

ence figure 2 for recommended drill locations. Note: The attachment structure should be able to support a 30lb. load.

4. Insert the two thumb screws into the mounting holes on the decorative wall grill and thread on the #10 retaining washers. This will help prevent the thumb screws from being lost during routine maintenance. Reference Figure 3.
5. Insert the wall grill into the frame and tighten the thumb screws into the tinnerman clips.



	A (in.)	B (in.)	C (in.)
RXHK-D01	22.563	25.091	26.625
RXHK-D02	25.269	27.798	29.332