

BOTTOM RETURN CONVERSION KIT RXHK-

▲ WARNING

TO ENSURE PROPER INSTALLATION AND OPERATION OF THIS PRODUCT, COMPLETELY READ ALL INSTRUCTIONS PRIOR TO ATTEMPTING TO ASSEMBLE, INSTALL, OPERATE, MAINTAIN OR REPAIR THIS PRODUCT. UPON UNPACKING OF THE BOTTOM RETURN CONVERSION KIT, INSPECT ALL PARTS FOR DAMAGE PRIOR TO INSTALLATION AND START UP.

BOTTOM RETURN CONVERSION KIT RXHK-

The RXHK Bottom Return Conversion Kit is used in applications where the air handler needs to be converted from the factory standard front return to bottom return. Table 1 illustrates which accessory model goes with each model of air handler and the list of parts that will be required for proper installation:

INSTALLATION INSTRUCTIONS:

1. Remove bottom block off plate by removing one screw located near the front of the unit and sliding the plate from underneath the drain pan. Reference Figures 2-4.

NOTE: Skip steps 1-6 if unit comes with factory installed nut zerts.

Accessory Number	Indoor Unit
RXHK-B01	RHAL-FR18
	RHAL-FR24
	RHBL-FR24
RXHK-B02	RHAL-FR30
	RHAL-FR36
	RHBL-FR36

2. Drill 3/8" hole (1 on each side) into the hexagonal holes located on the front of the air handler. Reference Figure 5.
3. Install the jack nut by inserting the nut into the hole drilled in step 2.
4. Place the jack nut wrench in front of the jack nut. Reference Figure 6.
5. Thread the machine screw provided and tighten until the jack nut is securely fastened into the air handler. Reference Figures 6-7.
6. Repeat steps 3 and 5 to install the jack nut on the opposite side.
7. Insert the provided thumb screws into the mounting holes on the coil door and thread the #10 retaining washer on the insulation side of the coil door. This will ensure that the thumb screws will not be lost during routine maintenance such as filter changes. Reference Figure 8.
8. Install coil door and tighten the thumb screws into the jack nuts which were installed in steps 2-6 if required.

Qty.	Description
1	Coil Door
2	#10-24 Thumb Screws
2	#10-24 Jack Nut
1	Jack Nut Wrench
1	#10-24 Machine Screw
2	Thumb Screw Retainer

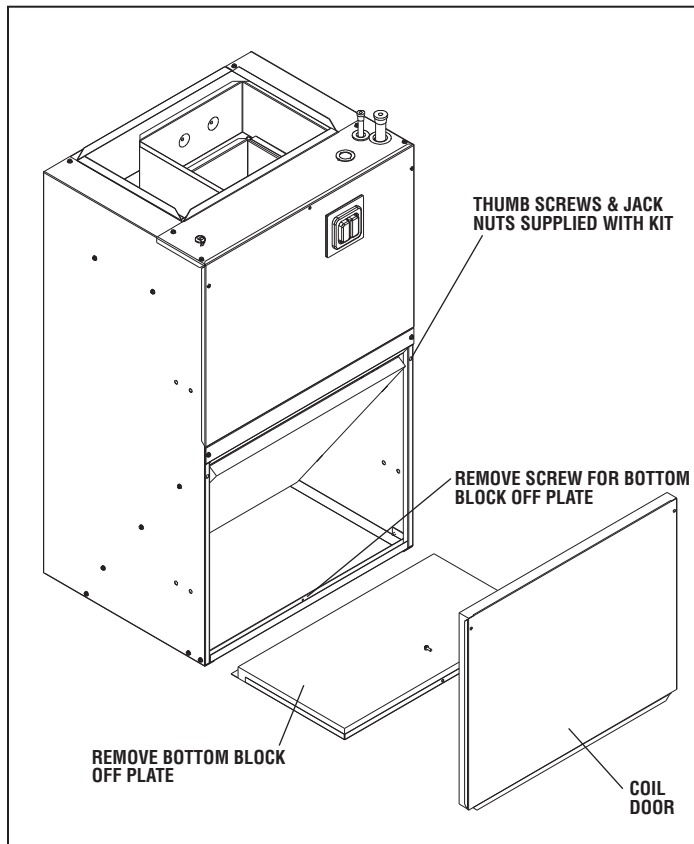
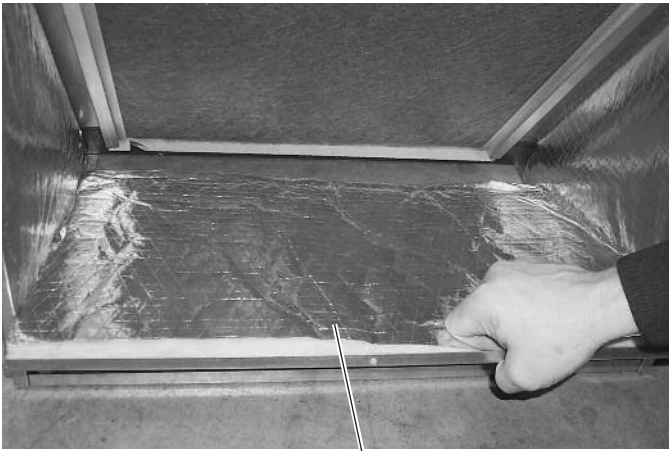


FIGURE 2



FIGURE 3



REMOVE DOOR

FIGURE 4



**BOTTOM BLOCK OFF
PLATE REMOVED**

FIGURE 5

HEXAGONAL HOLE



3/8" DRILL

FIGURE 6

5/16" BOX END WRENCH



**JACK NUT
WRENCH**

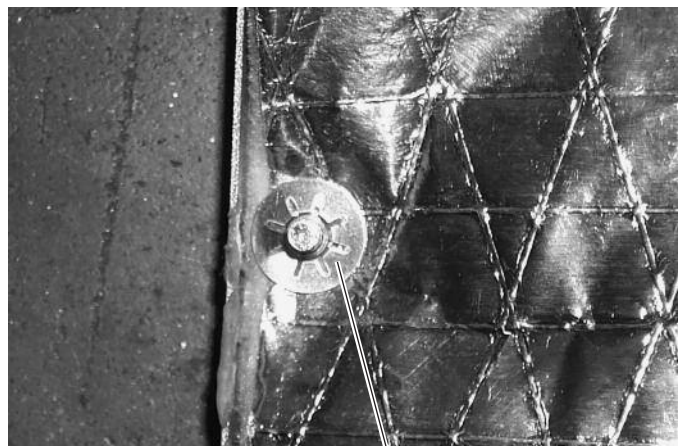
**#10-24 MACHINE
SCREW**

FIGURE 7



**JACK NUT FIRMLY IN
PLACE**

FIGURE 8



**THREAD RETAINING WASHER
OVER THUMB SCREW**