



# RSPL-B

Parts List  
15-February-2014



*This parts list is current as of the above revision date.  
See <http://www.rheempartslists.net/92-42800-RSPL-B.pdf> for the current revision.*

Package Air Conditioners

# Table of Contents

|   |         |
|---|---------|
| Model Explanation .....                           | Page 3  |
| <b>Parts Numbers</b>                              |         |
| Panels - Miscellaneous (Granite-Steel Gray) ..... | Page 4  |
| Panels - Miscellaneous (Neutra Green) .....       | Page 5  |
| Electrical Group .....                            | Page 6  |
| Fan Group .....                                   | Page 6  |
| Blower Group .....                                | Page 7  |
| Coil Parts .....                                  | Page 7  |
| Compressor Group .....                            | Page 8  |
| Heater Kits .....                                 | Page 9  |
| Accessories .....                                 | Page 9  |
| <b>Drawings/Photographs</b>                       |         |
| Exploded View .....                               | Page 10 |
| Control Access Panel Detail .....                 | Page 11 |
| Control Box Assembly .....                        | Page 12 |
| Blower Assembly .....                             | Page 13 |
| Evaporator Coil Assembly .....                    | Page 14 |
| Condenser Coil .....                              | Page 15 |
| Compressor and Refrigeration Components .....     | Page 16 |
| Notes/Disclaimer .....                            | Page 17 |

**MODEL NUMBER EXPLANATION**

|          |          |          |          |          |          |          |          |          |          |          |           |            |
|----------|----------|----------|----------|----------|----------|----------|----------|----------|----------|----------|-----------|------------|
| <b>R</b> | <b>S</b> | <b>P</b> | <b>L</b> | <b>-</b> | <b>B</b> | <b>0</b> | <b>6</b> | <b>0</b> | <b>J</b> | <b>K</b> | <b>10</b> | <b>XXX</b> |
| <b>1</b> | <b>2</b> | <b>3</b> | <b>4</b> |          | <b>5</b> |          | <b>6</b> |          | <b>7</b> | <b>8</b> | <b>9</b>  | <b>10</b>  |

- |   |   |
|---|---|
| <p><b>1 TRADEBRAND</b></p> <p><b>2 SELF CONTAINED AC</b></p> <p><b>3 EFFICIENCY DESIGNATION</b><br/>N = 13 SEER<br/>P = 14 SEER</p> <p><b>4 DESIGN SERIES</b></p> <p><b>5 TECHNICAL VARIATIONS</b></p> <p><b>6 COOLING CAPACITY (BTU/HR)</b><br/>024 = 24,000      042 = 42,000<br/>030 = 30,000      048 = 48,000<br/>036 = 36,000      060 = 60,000</p> | <p><b>7 ELECTRICAL DESIGNATION</b><br/>J = 208-230/1/60<br/>C = 208-230/3/60</p> <p><b>8 DRIVE PACKAGE</b><br/>K = Direct Drive</p> <p><b>9 RESISTANCE HEAT DESIGNATION</b><br/>000 = No Resistance Heat<br/>005 = 05 kW<br/>010 = 10 kW<br/>015 = 15 kW</p> <p><b>10 FACTORY INSTALLED OPTIONS</b></p> |
|---|---|

**SERIAL NUMBER EXPLANATION (Units Produced before Sept. 2013)**

|          |          |          |          |          |          |          |          |          |          |          |          |          |
|----------|----------|----------|----------|----------|----------|----------|----------|----------|----------|----------|----------|----------|
| <b>5</b> | <b>2</b> | <b>0</b> | <b>3</b> | <b>F</b> | <b>3</b> | <b>8</b> | <b>0</b> | <b>5</b> | <b>0</b> | <b>0</b> | <b>0</b> | <b>0</b> |
|          | <b>1</b> |          |          | <b>2</b> |          | <b>3</b> |          | <b>4</b> |          |          | <b>5</b> |          |

- 1 COMPRESSOR IDENTIFICATION NUMBER**
- 2 PRODUCTION LOCATION**  
F = Fort Smith, AR
- 3 WEEK OF PRODUCTION**
- 4 YEAR OF PRODUCTION**
- 5 PRODUCTION NUMBER**

**SERIAL NUMBER EXPLANATION (Units Produced after Sept. 2013)**

|            |          |            |          |            |          |          |          |            |
|------------|----------|------------|----------|------------|----------|----------|----------|------------|
| <b>W</b>   | <b>0</b> | <b>8</b>   | <b>1</b> | <b>3</b>   | <b>9</b> | <b>9</b> | <b>9</b> | <b>9</b>   |
| <b>(1)</b> |          | <b>(2)</b> |          | <b>(3)</b> |          |          |          | <b>(4)</b> |

- (1) PLANT CODE**  
W = Nuevo Laredo (West)
- (2) WEEK OF PRODUCTION**
- (3) YEAR OF PRODUCTION**
- (4) PRODUCTION NUMBER**

**Note: For Compressor Identification Number, see Compressor Code on Rating Plate**

| No.  | Notes | MODEL<br>TECHNICAL VARIATION<br>COOLING CAPACITY | RSPL<br>B<br>024 | RSPL<br>B<br>030 | RSPL<br>B<br>036 | RSPL<br>B<br>042 | RSPL<br>B<br>048 | RSPL<br>B<br>060 |
|--|-------|--|------------------|------------------|------------------|------------------|------------------|------------------|
| <b>PANELS, MISCELLANEOUS PARTS (Granite/Steel Gray, After F4411)</b> |       |  |                  |                  |                  |                  |                  |                  |
| 1  |       | Front Base Pan                                   | AS-58628-07H     | AS-58628-07H     | AS-58628-07H     | AS-58628-07H     | AS-58628-07H     | AS-58628-07H     |
| 2  |       | Base Rail (2)                                    | AE-58562-03      | AE-58562-03      | AE-58562-03      | AE-58562-03      | AE-58562-03      | AE-58562-03      |
| 3  |       | Base Rail (2)                                    | AE-58562-04      | AE-58562-04      | AE-58562-04      | AE-58562-04      | AE-58562-04      | AE-58562-04      |
| 4  |       | Back Base Pan                                    | AS-58607-64      | AS-58607-64      | AS-58607-64      | AS-58607-64      | AS-58607-64      | AS-58607-64      |
| 5  |       | Blower Shelf                                     | AS-58630-01      | AS-58630-01      | AS-58630-01      | AS-58630-01      | AS-58630-01      | AS-58630-01      |
| 6  |       | Blower Shelf Transition                          | AS-58607-19      | AS-58607-19      | AS-58607-19      | AS-58607-19      | AS-58607-19      | AS-58607-19      |
| 7  |       | Divider Panel                                    | AS-58607-03      | AS-58607-03      | AS-58607-03      | AS-58607-03      | AS-58607-03      | AS-58607-03      |
| 8  |       | Bulkhead Assembly                                | AS-58607-62      | AS-58607-62      | AS-58607-55      | AS-58607-57      | AS-58607-57      | AS-58607-57      |
| 9  |       | Corner Post                                      | AS-58607-39H     | AS-58607-39H     | AS-58607-39H     | AS-58607-53H     | AS-58607-53H     | AS-58607-53H     |
| 10   |       | Blower Access Panel                              | AS-58607-09H     | AS-58607-09H     | AS-58607-09H     | AS-58607-47H     | AS-58607-47H     | AS-58607-47H     |
| 11   |       | End Panel  | AS-58607-04H     | AS-58607-04H     | AS-58607-04H     | AS-58607-48H     | AS-58607-48H     | AS-58607-48H     |
| 12   |       | Supply Cover - Downflow                          | AS-58607-06H     | AS-58607-06H     | AS-58607-06H     | AS-58607-06H     | AS-58607-06H     | AS-58607-06H     |
| 12   |       | Supply Cover - Side Option "AKA"                 | AS-58607-35H     | AS-58607-35H     | AS-58607-35H     | AS-58607-35H     | AS-58607-35H     | AS-58607-35H     |
| 13   |       | Return Cover - Downflow                          | AS-58607-05H     | AS-58607-05H     | AS-58607-05H     | AS-58607-05H     | AS-58607-05H     | AS-58607-05H     |
| 13   |       | Return Cover - Side Option "AKA"                 | AS-58607-34H     | AS-58607-34H     | AS-58607-34H     | AS-58607-34H     | AS-58607-34H     | AS-58607-34H     |
| 14   |       | Top Panel  | AS-58607-60H     | AS-58607-60H     | AS-58607-58H     | AS-58607-54H     | AS-58607-54H     | AS-58607-54H     |
| 15   |       | Grille   | 95-100906-08     | 95-100906-08     | 95-100906-08     | 95-100906-08     | 95-100906-08     | 95-100906-08     |
| 16   |       | Filter Access Panel                              | AS-58607-08H     | AS-58607-08H     | AS-58607-08H     | AS-58607-49H     | AS-58607-49H     | AS-58607-49H     |
| 17   |       | Condenser Louver Panel                           | AS-58607-61H     | AS-58607-61H     | AS-58607-61H     | AS-58607-56H     | AS-58607-56H     | AS-58607-56H     |
| 18   |       | Center Post                                      | AS-58569-06H     | AS-58569-06H     | AS-58569-06H     | AS-58569-08H     | AS-58569-08H     | AS-58569-08H     |
| 19   |       | Control Access Panel                             | AS-58568-02H     | AS-58568-02H     | AS-58568-02H     | AS-58568-04H     | AS-58568-04H     | AS-58568-04H     |
| 20   |       | Control Box - (w/o components)                   | AE-58597-01      | AE-58597-01      | AE-58597-01      | AE-58597-01      | AE-58597-01      | AE-58597-01      |
| 21   |       | Control Box Cover                                | AE-58598-01      | AE-58598-01      | AE-58598-01      | AE-58598-01      | AE-58598-01      | AE-58598-01      |
| 22   |       | Blank-Off Plate (No Heat Models Only)            | AS-58607-17      | AS-58607-17      | AS-58607-17      | AS-58607-17      | AS-58607-17      | AS-58607-17      |
| 23   |       | Bulkhead Valve (2)                               | 61-22369-04      | 61-22369-04      | 61-22369-04      | 61-22369-04      | 61-22369-04      | 61-22369-04      |
| 24   |       | Heater Mounting Panel                            | AS-58607-16      | AS-58607-16      | AS-58607-16      | AS-58607-16      | AS-58607-16      | AS-58607-16      |
| 25   |       | Bulkhead Valve Locknut (2)                       | 63-22368-01      | 63-22368-01      | 63-22368-01      | 63-22368-01      | 63-22368-01      | 63-22368-01      |
|  |       | Bulkhead Valve Cap (2)                           | 83-100635-01     | 83-100635-01     | 83-100635-01     | 83-100635-01     | 83-100635-01     | 83-100635-01     |
|  |       | Low Voltage Connection Box                       | AE-58647-01      | AE-58647-01      | AE-58647-01      | AE-58647-01      | AE-58647-01      | AE-58647-01      |

| No.   | Notes | MODEL<br>TECHNICAL VARIATION<br>COOLING CAPACITY | RSPL<br>B<br>024 | RSPL<br>B<br>030 | RSPL<br>B<br>036 | RSPL<br>B<br>042 | RSPL<br>B<br>048 | RSPL<br>B<br>060 |
|---|-------|--|------------------|------------------|------------------|------------------|------------------|------------------|
| <b>PANELS, MISCELLANEOUS PARTS (Neutra Green, Before F4411)</b> |       |  |                  |                  |                  |                  |                  |                  |
| 1   |       | Front Base Pan                                   | AS-58628-07A     | AS-58628-07A     | AS-58628-07A     | AS-58628-07A     | AS-58628-07A     | AS-58628-07A     |
| 2   |       | Base Rail (2)                                    | AE-58562-03      | AE-58562-03      | AE-58562-03      | AE-58562-03      | AE-58562-03      | AE-58562-03      |
| 3   |       | Base Rail (2)                                    | AE-58562-04      | AE-58562-04      | AE-58562-04      | AE-58562-04      | AE-58562-04      | AE-58562-04      |
| 4   |       | Back Base Pan                                    | AS-58607-64      | AS-58607-64      | AS-58607-64      | AS-58607-64      | AS-58607-64      | AS-58607-64      |
| 5   |       | Blower Shelf                                     | AS-58630-01      | AS-58630-01      | AS-58630-01      | AS-58630-01      | AS-58630-01      | AS-58630-01      |
| 6   |       | Blower Shelf Transition                          | AS-58607-19      | AS-58607-19      | AS-58607-19      | AS-58607-19      | AS-58607-19      | AS-58607-19      |
| 7   |       | Divider Panel                                    | AS-58607-03      | AS-58607-03      | AS-58607-03      | AS-58607-03      | AS-58607-03      | AS-58607-03      |
| 8   |       | Bulkhead Assembly                                | AS-58607-62      | AS-58607-62      | AS-58607-55      | AS-58607-57      | AS-58607-57      | AS-58607-57      |
| 9   |       | Corner Post                                      | AS-58607-39A     | AS-58607-39A     | AS-58607-39A     | AS-58607-53A     | AS-58607-53A     | AS-58607-53A     |
| 10  |       | Blower Access Panel                              | AS-58607-09A     | AS-58607-09A     | AS-58607-09A     | AS-58607-47A     | AS-58607-47A     | AS-58607-47A     |
| 11  |       | End Panel  | AS-58607-04A     | AS-58607-04A     | AS-58607-04A     | AS-58607-48A     | AS-58607-48A     | AS-58607-48A     |
| 12  |       | Supply Cover - Downflow                          | AS-58607-06A     | AS-58607-06A     | AS-58607-06A     | AS-58607-06A     | AS-58607-06A     | AS-58607-06A     |
| 12  |       | Supply Cover - Side Option "AKA"                 | AS-58607-35A     | AS-58607-35A     | AS-58607-35A     | AS-58607-35A     | AS-58607-35A     | AS-58607-35A     |
| 13  |       | Return Cover - Downflow                          | AS-58607-05A     | AS-58607-05A     | AS-58607-05A     | AS-58607-05A     | AS-58607-05A     | AS-58607-05A     |
| 13  |       | Return Cover - Side Option "AKA"                 | AS-58607-34A     | AS-58607-34A     | AS-58607-34A     | AS-58607-34A     | AS-58607-34A     | AS-58607-34A     |
| 14  |       | Top Panel  | AS-58607-60A     | AS-58607-60A     | AS-58607-58A     | AS-58607-54A     | AS-58607-54A     | AS-58607-54A     |
| 15  |       | Grille   | 95-100906-08     | 95-100906-08     | 95-100906-08     | 95-100906-08     | 95-100906-08     | 95-100906-08     |
| 16  |       | Filter Access Panel                              | AS-58607-08A     | AS-58607-08A     | AS-58607-08A     | AS-58607-49A     | AS-58607-49A     | AS-58607-49A     |
| 17  |       | Condenser Louver Panel                           | AS-58607-61A     | AS-58607-61A     | AS-58607-61A     | AS-58607-56A     | AS-58607-56A     | AS-58607-56A     |
| 18  |       | Center Post                                      | AS-58569-06A     | AS-58569-06A     | AS-58569-06A     | AS-58569-08A     | AS-58569-08A     | AS-58569-08A     |
| 19  |       | Control Access Panel                             | AS-58568-02A     | AS-58568-02A     | AS-58568-02A     | AS-58568-04A     | AS-58568-04A     | AS-58568-04A     |
| 20  |       | Control Box - (w/o components)                   | AE-58597-01      | AE-58597-01      | AE-58597-01      | AE-58597-01      | AE-58597-01      | AE-58597-01      |
| 21  |       | Control Box Cover                                | AE-58598-01      | AE-58598-01      | AE-58598-01      | AE-58598-01      | AE-58598-01      | AE-58598-01      |
| 22  |       | Blank-Off Plate (No Heat Models Only)            | AS-58607-17      | AS-58607-17      | AS-58607-17      | AS-58607-17      | AS-58607-17      | AS-58607-17      |
| 23  |       | Bulkhead Valve (2)                               | 61-22369-04      | 61-22369-04      | 61-22369-04      | 61-22369-04      | 61-22369-04      | 61-22369-04      |
| 24  |       | Heater Mounting Panel                            | AS-58607-16      | AS-58607-16      | AS-58607-16      | AS-58607-16      | AS-58607-16      | AS-58607-16      |
| 25  |       | Bulkhead Valve Locknut (2)                       | 63-22368-01      | 63-22368-01      | 63-22368-01      | 63-22368-01      | 63-22368-01      | 63-22368-01      |
|   |       | Bulkhead Valve Cap (2)                           | 83-100635-01     | 83-100635-01     | 83-100635-01     | 83-100635-01     | 83-100635-01     | 83-100635-01     |
|   |       | Low Voltage Connection Box                       | AE-58647-01      | AE-58647-01      | AE-58647-01      | AE-58647-01      | AE-58647-01      | AE-58647-01      |

| No.                     | Notes | MODEL<br>TECHNICAL VARIATION<br>COOLING CAPACITY<br>ELECTRICAL DESIGNATION | RSPL                 | RSPL          | RSPL          | RSPL          | RSPL          | RSPL          |
|-------------------------|-------|--|----------------------|---------------|---------------|---------------|---------------|---------------|
|                         |       |  | B<br>024<br>J        | B<br>030<br>J | B<br>036<br>J | B<br>042<br>J | B<br>048<br>J | B<br>060<br>J |
| <b>ELECTRICAL GROUP</b> |       |  |                      |               |               |               |               |               |
| 31                      | Stk   | Relay - Blower Motor   | 42-21571-08          | 42-21571-08   | 42-21571-08   | 42-21571-08   | 42-21571-08   | 42-21571-08   |
| 32                      | Stk   | Contactora   | 42-42728-03          | 42-42728-03   | 42-42728-03   | 42-42728-03   | 42-42728-03   | 42-42728-03   |
| 33                      |       | Terminal Strip   | 45-23591-01          | 45-23591-01   | 45-23591-01   | 45-23591-01   | 45-23591-01   | 45-23591-01   |
| 34                      | Stk   | Sequencing Relay   | N/A                  | N/A           | N/A           | N/A           | N/A           | N/A           |
| 36                      | Stk   | Transformer  | 46-18788-07          | 46-18788-07   | 46-18788-07   | 46-18788-07   | 46-18788-07   | 46-18788-07   |
| 38                      |       | Ground Lug   | 45-19000-01          | 45-19000-01   | 45-19000-01   | 45-19000-01   | 45-19000-01   | 45-19000-01   |
| 39                      |       | Capacitor - Compressor/Fan   | See Compressor Group |               |               |               |               |               |
| 43                      | Stk   | Limit Control - Blower Shelf   | 47-25334-01          | 47-25334-01   | 47-25334-01   | 47-25334-01   | 47-25334-01   | 47-25334-01   |
|                         |       | Wire Harness - 6 pin to heater kit   | 45-104222-01         | 45-104222-01  | 45-104222-01  | 45-104222-01  | 45-104222-01  | 45-104222-01  |
|                         |       | Start Relay  | See Compressor Group |               |               |               |               |               |
|                         |       | Start Capacitor  | See Compressor Group |               |               |               |               |               |
|                         |       | Comfort Alert  | N/A                  | N/A           | N/A           | N/A           | N/A           | 42-101504-02  |
| 44                      |       | Capacitor Adapter Plate (2 in. round capacitor)                            | AE-54609-01          | AE-54609-01   | AE-54609-01   | AE-54609-01   | AE-54609-01   | AE-54609-01   |
| 44                      |       | Capacitor Adapter Plate (2 in. X 1-1/4 in. oval capacitor)                 | AE-54609-02          | AE-54609-02   | AE-54609-02   | AE-54609-02   | AE-54609-02   | AE-54609-02   |

| No.                     | Notes | MODEL<br>TECHNICAL VARIATION<br>COOLING CAPACITY<br>ELECTRICAL DESIGNATION | RSPL                 | RSPL          | RSPL          | RSPL          |  |  |
|-------------------------|-------|--|----------------------|---------------|---------------|---------------|--|--|
|                         |       |  | B<br>036<br>C        | B<br>042<br>C | B<br>048<br>C | B<br>060<br>C |  |  |
| <b>ELECTRICAL GROUP</b> |       |  |                      |               |               |               |  |  |
| 31                      | Stk   | Relay - Blower Motor   | 42-21571-08          | 42-21571-08   | 42-21571-08   | 42-21571-08   |  |  |
| 32                      | Stk   | Contactora   | 42-22464-01          | 42-22464-01   | 42-22464-01   | 42-22464-01   |  |  |
| 33                      |       | Terminal Strip   | 45-23591-01          | 45-23591-01   | 45-23591-01   | 45-23591-01   |  |  |
| 34                      | Stk   | Sequencing Relay   | N/A                  | N/A           | N/A           | N/A           |  |  |
| 36                      | Stk   | Transformer  | 46-18788-07          | 46-18788-07   | 46-18788-07   | 46-18788-07   |  |  |
| 38                      |       | Ground Lug   | 45-19000-01          | 45-19000-01   | 45-19000-01   | 45-19000-01   |  |  |
| 39                      |       | Capacitor - Fan  | See Compressor Group |               |               |               |  |  |
| 43                      | Stk   | Limit Control - Blower Shelf   | 47-25334-01          | 47-25334-01   | 47-25334-01   | 47-25334-01   |  |  |
|                         |       | Wire Harness - 6 pin to heater kit   | 45-104222-01         | 45-104222-01  | 45-104222-01  | 45-104222-01  |  |  |
|                         |       | Comfort Alert  | N/A                  | N/A           | N/A           | 42-101504-03  |  |  |
| 44                      |       | Capacitor Adapter Plate (2 in. round capacitor)                            | AE-54609-01          | AE-54609-01   | AE-54609-01   | AE-54609-01   |  |  |
| 44                      |       | Capacitor Adapter Plate (2 in. X 1-1/4 in. oval capacitor)                 | AE-54609-02          | AE-54609-02   | AE-54609-02   | AE-54609-02   |  |  |

| No.   | Notes | MODEL<br>TECHNICAL VARIATION<br>COOLING CAPACITY<br>ELECTRICAL DESIGNATION | RSPL                 | RSPL          | RSPL          | RSPL          | RSPL          | RSPL          |
|---|-------|--|----------------------|---------------|---------------|---------------|---------------|---------------|
|   |       |  | B<br>024<br>J        | B<br>030<br>J | B<br>036<br>J | B<br>042<br>J | B<br>048<br>J | B<br>060<br>J |
| <b>FAN GROUP</b>  |       |  |                      |               |               |               |               |               |
| <b>Note: 024, 030, and 036 units produced before F3706 may have been produced with a different motor, capacitor, and fan blade combination than shown below. If replacing any of these components on older units, all three components must be changed in accordance with those listed below. Failure to do so may affect motor reliability and increase fan noise.</b> |       |  |                      |               |               |               |               |               |
| 39  | Stk   | Capacitor - Fan/Compressor   | See Compressor Group |               |               |               |               |               |
| 40  | Stk   | Fan Motor  | 51-100998-24         | 51-100998-24  | 51-100998-24  | 51-100998-19  | 51-100998-19  | 51-100998-19  |
| 41  | Stk   | Fan Blade  | 70-101323-19         | 70-101323-19  | 70-101323-19  | 70-23594-02   | 70-23594-02   | 70-23594-02   |

| No.              | Notes | MODEL<br>TECHNICAL VARIATION<br>COOLING CAPACITY<br>ELECTRICAL DESIGNATION | RSPL                 | RSPL          | RSPL          | RSPL          |  |  |
|------------------|-------|--|----------------------|---------------|---------------|---------------|--|--|
|                  |       |  | B<br>036<br>C        | B<br>042<br>C | B<br>048<br>C | B<br>060<br>C |  |  |
| <b>FAN GROUP</b> |       |  |                      |               |               |               |  |  |
| 39               | Stk   | Capacitor - Fan Motor  | See Compressor Group |               |               |               |  |  |
| 40               | Stk   | Fan Motor  | 51-100998-24         | 51-100998-19  | 51-100998-19  | 51-100998-19  |  |  |
| 41               | Stk   | Fan Blade  | 70-101323-19         | 70-23594-02   | 70-23594-02   | 70-23594-02   |  |  |

| No.                 | Notes | MODEL<br>TECHNICAL VARIATION<br>COOLING CAPACITY<br>ELECTRICAL DESIGNATION | RSPL          | RSPL          | RSPL          | RSPL          | RSPL          | RSPL          |
|---------------------|-------|--|---------------|---------------|---------------|---------------|---------------|---------------|
|                     |       |  | B<br>024<br>J | B<br>030<br>J | B<br>036<br>J | B<br>042<br>J | B<br>048<br>J | B<br>060<br>J |
| <b>BLOWER GROUP</b> |       |  |               |               |               |               |               |               |
|                     | Stk   | Blower Assembly (Includes items 51-56)                                     | AS-58662-36   | AS-58662-37   | AS-58662-38   | AS-58662-39   | AS-58662-40   | AS-58662-41   |
| 51                  |       | Housing  | AS-58619-01   | AS-58619-02   | AS-58619-02   | AS-58619-02   | AS-58619-02   | N/A           |
| 51                  |       | Housing w/Wheel  | N/A           | N/A           | N/A           | N/A           | N/A           | 70-100840-02  |
| 51a                 |       | Transition   | N/A           | N/A           | N/A           | N/A           | N/A           | AE-102207-05  |
| 51b                 |       | Transition - Back  | N/A           | N/A           | N/A           | N/A           | N/A           | AE-102207-06  |
| 52                  | Stk   | Blower Wheel   | 70-20218-01   | 70-18625-03   | 70-18625-03   | 70-18625-03   | 70-18625-03   | 703016        |
| 53                  |       | Cut-Off  | AE-64401-10   | AE-64401-06   | AE-64401-06   | AE-64401-06   | AE-64401-06   | N/A           |
| 54                  | Stk   | Blower Motor   | 51-101879-06  | 51-101880-15  | 51-101880-15  | 51-101880-16  | 51-101920-14  | 51-101984-05  |
|                     |       | Motor Mounting Bracket Assembly (Includes 55, 56)                          | AS-53148-03   | N/A           | N/A           | N/A           | N/A           | N/A           |
| 55                  |       | Motor Band   | 70-19927-01   | 70-19927-03   | 70-19927-03   | 70-19927-03   | 70-19927-03   | 70-19927-03   |
| 56                  |       | Arm Assembly   | 70-19929-02   | 70-19929-09   | 70-19929-09   | 70-19929-09   | 70-19929-09   | 70-19929-09   |

| No.                 | Notes | MODEL<br>TECHNICAL VARIATION<br>COOLING CAPACITY<br>ELECTRICAL DESIGNATION | RSPL          | RSPL          | RSPL          | RSPL          |  |  |
|---------------------|-------|--|---------------|---------------|---------------|---------------|--|--|
|                     |       |  | B<br>036<br>C | B<br>042<br>C | B<br>048<br>C | B<br>060<br>C |  |  |
| <b>BLOWER GROUP</b> |       |  |               |               |               |               |  |  |
|                     | Stk   | Blower Assembly (Includes items 51-56)                                     | AS-58662-38   | AS-58662-39   | AS-58662-40   | AS-58662-41   |  |  |
| 51                  |       | Housing  | AS-58619-02   | AS-58619-02   | AS-58619-02   | N/A           |  |  |
| 51                  |       | Housing w/Wheel  | N/A           | N/A           | N/A           | 70-100840-02  |  |  |
| 51a                 |       | Transition   | N/A           | N/A           | N/A           | AE-102207-05  |  |  |
| 51b                 |       | Transition - Back  | N/A           | N/A           | N/A           | AE-102207-06  |  |  |
| 52                  | Stk   | Blower Wheel   | 70-18625-03   | 70-18625-03   | 70-18625-03   | 703016        |  |  |
| 53                  |       | Cut-Off  | AE-64401-06   | AE-64401-06   | AE-64401-06   | N/A           |  |  |
| 54                  | Stk   | Blower Motor   | 51-101880-15  | 51-101880-16  | 51-101920-14  | 51-101984-05  |  |  |
|                     |       | Motor Mounting Bracket Assembly (Includes 55, 56)                          | N/A           | N/A           | N/A           | N/A           |  |  |
| 55                  |       | Motor Band   | 70-19927-03   | 70-19927-03   | 70-19927-03   | 70-19927-03   |  |  |
| 56                  |       | Arm Assembly   | 70-19929-09   | 70-19929-09   | 70-19929-09   | 70-19929-09   |  |  |

| No.                         | Notes | MODEL<br>TECHNICAL VARIATION<br>COOLING CAPACITY | RSPL         | RSPL         | RSPL         | RSPL         | RSPL         | RSPL         |
|-----------------------------|-------|--|--------------|--------------|--------------|--------------|--------------|--------------|
|                             |       |  | B<br>024     | B<br>030     | B<br>036     | B<br>042     | B<br>048     | B<br>060     |
| <b>COIL GROUP</b>           |       |  |              |              |              |              |              |              |
| <b>CONDENSER COIL:</b>      |       |  |              |              |              |              |              |              |
| 61                          | Stk   | Condenser Coil                                   | AS-101997-03 | AS-101997-03 | AS-101993-03 | AS-101994-03 | AS-101996-01 | AS-101996-01 |
|                             |       | Distributor Assembly                             | AS-101689-02 | AS-101689-02 | AS-101689-02 | N/A          | AS-101689-01 | AS-101689-01 |
|                             |       | Distributor - 2 way (3/8 in. to 3/8 in.)         | 83-17467-02  | 83-17467-02  | 83-17467-02  | N/A          | 83-17467-02  | 83-17467-02  |
|                             |       | Access Valve Body                                | 61-18542-01  | 61-18542-01  | 61-18542-01  | 61-18542-01  | 61-18542-01  | 61-18542-01  |
|                             |       | Access Valve Core                                | 61-18551-01  | 61-18551-01  | 61-18551-01  | 61-18551-01  | 61-18551-01  | 61-18551-01  |
| <b>EVAPORATOR COIL:</b>     |       |  |              |              |              |              |              |              |
| 62                          | Stk   | Evaporator Coil w/Drain Pan                      | AS-102660-04 | AS-102660-04 | AS-102660-03 | AS-102660-02 | AS-102660-01 | AS-102660-01 |
| 62                          | Stk   | Evaporator Coil w/Drain Pan (Tin Plated)         | AS-104668-04 | AS-104668-04 | AS-104668-03 | AS-104668-02 | AS-104668-01 | AS-104668-01 |
| 63                          |       | Drain Pan Grommet                                | 56-23601-01  | 56-23601-01  | 56-23601-01  | 56-23601-01  | 56-23601-01  | 56-23601-01  |
| 64                          | Stk   | Drain Pan - Before F4507                         | AS-58607-32  | AS-58607-32  | AS-58607-32  | AS-58607-32  | AS-58607-32  | AS-58607-32  |
| 64                          | Stk   | Drain Pan - After F4507                          | 68-23602-02  | 68-23602-02  | 68-23602-02  | 68-23602-02  | 68-23602-02  | 68-23602-02  |
| 64a                         |       | Drain Trap - (Attached to Drain Pan)             | 68-23603-01  | 68-23603-01  | 68-23603-01  | 68-23603-01  | 68-23603-01  | 68-23603-01  |
| 65                          |       | Aux Drain Pipe                                   | AE-58611-01  | AE-58611-01  | AE-58611-01  | AE-58611-01  | AE-58611-01  | AE-58611-01  |
| 66                          | Stk   | TXV  | 61-102211-01 | 61-102211-02 | 61-102211-02 | 61-102211-03 | 61-102211-04 | 61-102211-05 |
| 67                          |       | Condensate Shield                                | AE-101751-01 | AE-101751-01 | AE-101751-01 | AE-101751-02 | AE-101751-02 | AE-101751-02 |
| 68                          |       | Condensate Barrier                               | AE-100544-01 | AE-100544-01 | AE-100544-01 | AE-100544-02 | AE-100544-02 | AE-100544-02 |
| 69                          | Stk   | Distributor/Piston Assembly                      | 61-102106-12 | 61-102106-12 | 61-102106-14 | 61-102108-14 | 61-102108-17 | 61-102108-17 |
|                             | Stk   | Piston Kit (Piston, Teflon Ring)                 | 61-25414-12  | 61-25414-12  | 61-25414-14  | 61-25414-14  | 61-25414-17  | 61-25414-17  |
|                             |       | TXV Bulb Strap Kit                               | 64-101357-01 | 64-101357-01 | 64-101357-01 | N/A          | N/A          | N/A          |
| <b>REFRIGERATION GROUP:</b> |       |  |              |              |              |              |              |              |
|                             | Stk   | High Pressure Control                            | N/A          | N/A          | N/A          | N/A          | N/A          | 47-102290-01 |
|                             | Stk,1 | Low Pressure Control - See Note 1                | N/A          | N/A          | N/A          | N/A          | N/A          | 47-101529-09 |
| 83                          | Stk   | Filter Drier - Liquid Line                       | 83-22755-05  | 83-22755-05  | 83-22755-05  | 83-22755-05  | 83-22755-05  | 83-22755-05  |

| No.                     | Notes | MODEL<br>TECHNICAL VARIATION<br>COOLING CAPACITY<br>ELECTRICAL DESIGNATION | RSPL          | RSPL          | RSPL          | RSPL          | RSPL          | RSPL                        |
|-------------------------|-------|--|---------------|---------------|---------------|---------------|---------------|-----------------------------|
|                         |       |  | B<br>024<br>J | B<br>030<br>J | B<br>036<br>J | B<br>042<br>J | B<br>048<br>J | B<br>060<br>J               |
| <b>COMPRESSOR GROUP</b> |       |  |               |               |               |               |               |                             |
|                         |       | <b>Compressor ID:</b>  | <b>7446</b>   | <b>7447</b>   | <b>7449</b>   | <b>7451</b>   | <b>7453</b>   | <b>7455</b>                 |
| 81                      | Stk   | Compressor   | 55-102045-01S | 55-102045-02S | 55-102045-03S | 55-102045-12S | 55-102045-09S | 55-23156-11S                |
| 82                      |       | Grommet (4)  | 56-18518-16   | 56-18518-16   | 56-18518-16   | 56-18518-06   | 56-18518-06   | 56-18518-06                 |
|                         |       | Capacitor - Compressor/Fan   | 43-101665-09  | 43-101665-09  | 43-101665-41  | 43-101665-42  | 43-101665-47  | 43-101665-30                |
|                         | Stk   | Start Relay  | N/A           | N/A           | N/A           | N/A           | N/A           | 42-18282-26                 |
|                         | Stk   | Start Capacitor  | N/A           | N/A           | N/A           | N/A           | N/A           | 43-17075-04                 |
|                         | Stk   | Compressor Wiring Harness (Low Voltage - Molded Plug)                      | N/A           | N/A           | N/A           | N/A           | N/A           | 45-101723-01                |
|                         | Stk   | Compressor Wiring Harness (Line Voltage - Molded Plug)                     | 45-100834-80  | 45-100834-80  | 45-100834-80  | 45-100834-80  | 45-100834-80  | 45-100834-80                |
| <b>Compressor ID:</b>   |       |  |               |               |               |               |               |                             |
| 81                      | Stk   | Compressor   |               |               |               |               |               | <b>8684</b><br>55-23156-38S |
| 82                      |       | Grommet (4)  |               |               |               |               |               | 56-18518-06                 |
|                         |       | Capacitor - Compressor/Fan   |               |               |               |               |               | 43-101665-36                |
|                         | Stk   | Start Relay  |               |               |               |               |               | 42-100491-26                |
|                         | Stk   | Start Capacitor  |               |               |               |               |               | 43-17075-04                 |
|                         | Stk   | Compressor Wiring Harness (Low Voltage - Molded Plug)                      |               |               |               |               |               | 45-101723-01                |
|                         | Stk   | Compressor Wiring Harness (Line Voltage - Molded Plug)                     |               |               |               |               |               | 45-100834-80                |

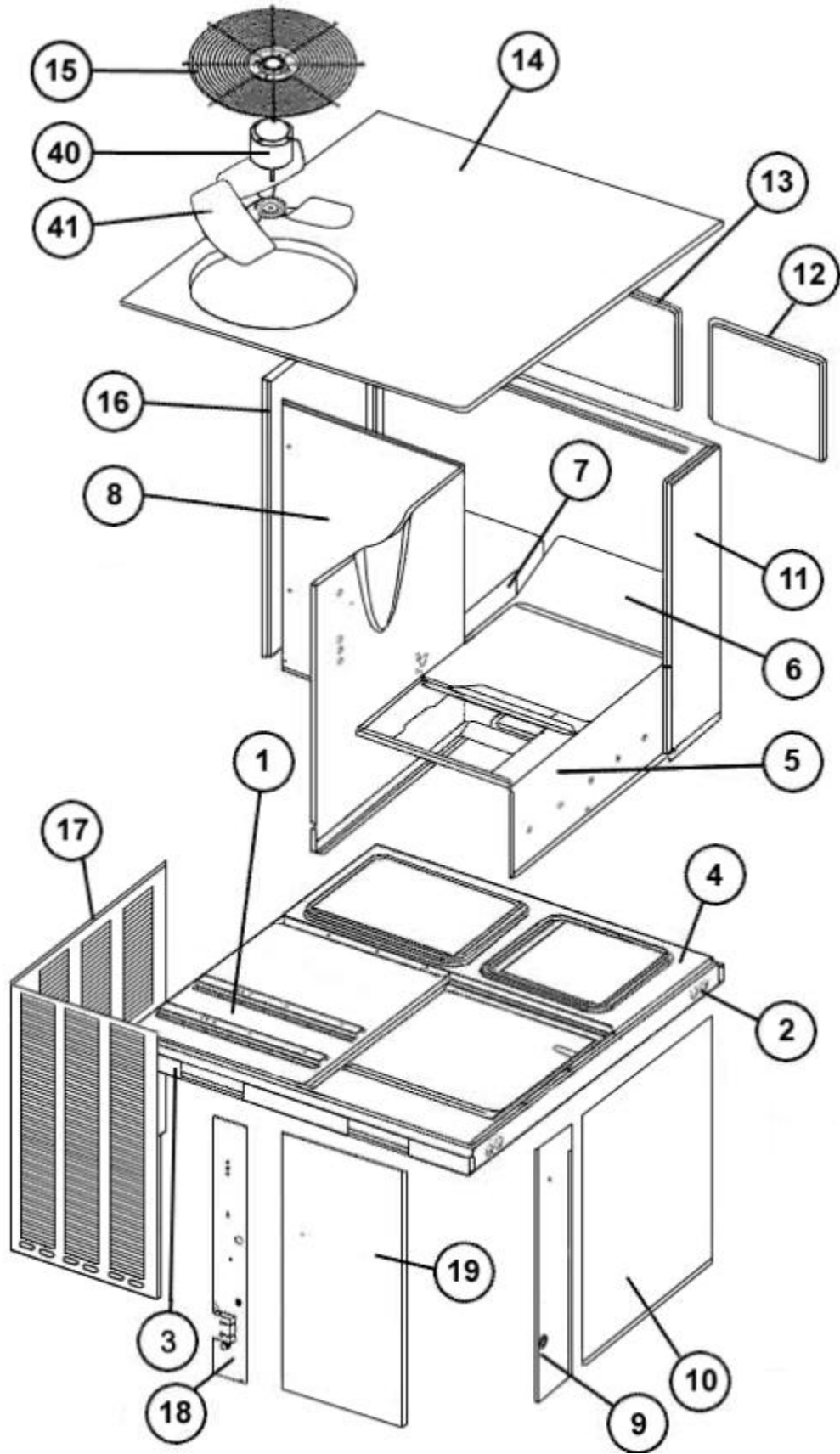
| No.                     | Notes | MODEL<br>TECHNICAL VARIATION<br>COOLING CAPACITY<br>ELECTRICAL DESIGNATION | RSPL          | RSPL          | RSPL          | RSPL          |  |  |
|-------------------------|-------|--|---------------|---------------|---------------|---------------|--|--|
|                         |       |  | B<br>036<br>C | B<br>042<br>C | B<br>048<br>C | B<br>060<br>C |  |  |
| <b>COMPRESSOR GROUP</b> |       |  |               |               |               |               |  |  |
|                         |       | <b>Compressor ID:</b>  | <b>7448</b>   | <b>7450</b>   | <b>7452</b>   | <b>7454</b>   |  |  |
| 81                      | Stk   | Compressor   | 55-102045-05S | 55-102045-16S | 55-102045-11S | 55-23156-13S  |  |  |
| 82                      |       | Grommet (4)  | 56-18518-16   | 56-18518-06   | 56-18518-06   | 56-18518-06   |  |  |
|                         |       | Capacitor - Fan  | 43-100496-04  | 43-100496-12  | 43-100496-12  | 43-100496-12  |  |  |
|                         | Stk   | Compressor Wiring Harness (Low Voltage - Molded Plug)                      | N/A           | N/A           | N/A           | 45-101723-01  |  |  |
|                         | Stk   | Compressor Wiring Harness (Line Voltage - Molded Plug)                     | 45-100834-80  | 45-100834-80  | 45-100834-80  | 45-100834-80  |  |  |
| <b>Compressor ID:</b>   |       |  |               |               |               |               |  |  |
| 81                      | Stk   | Compressor   |               |               |               | 55-23156-41S  |  |  |
| 82                      |       | Grommet (4)  |               |               |               | 56-18518-06   |  |  |
|                         |       | Capacitor - Fan  |               |               |               | 43-100496-12  |  |  |
|                         | Stk   | Compressor Wiring Harness (Low Voltage - Molded Plug)                      |               |               |               | 45-101723-01  |  |  |
|                         | Stk   | Compressor Wiring Harness (Line Voltage - Molded Plug)                     |               |               |               | 45-100834-80  |  |  |



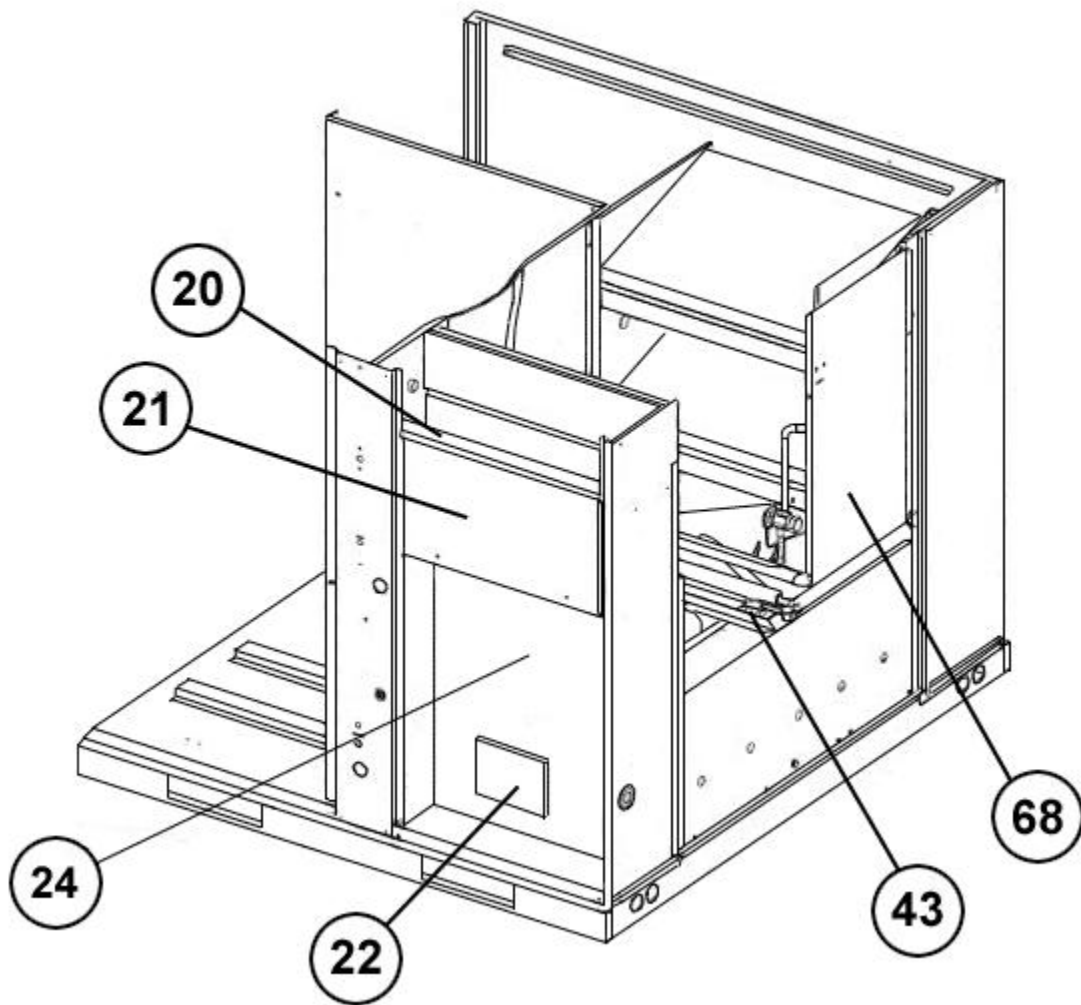
| No.                | Notes | MODEL<br>TECHNICAL VARIATION<br>COOLING CAPACITY<br>ELECTRICAL DESIGNATION | RSPL<br>B<br>024<br>J | RSPL<br>B<br>030<br>J | RSPL<br>B<br>036<br>C | RSPL<br>B<br>036<br>J |
|--------------------|-------|--|-----------------------|-----------------------|-----------------------|-----------------------|
| <b>HEATER KITS</b> |       |  |                       |                       |                       |                       |
|                    |       | Heater Kit - 5 kW  | RXQJ-A05J             | RXQJ-A05J             | N/A                   | RXQJ-A05J             |
|                    |       | Heater Kit - 10 kW   | RXQJ-A10J             | RXQJ-A10J             | RXQJ-A10C             | RXQJ-A10J             |
|                    |       | Heater Kit - 15 kW   | N/A                   | N/A                   | RXQJ-A15C             | RXQJ-A15J             |

| No.                | Notes | MODEL<br>TECHNICAL VARIATION<br>COOLING CAPACITY<br>ELECTRICAL DESIGNATION | RSPL<br>B<br>042<br>C | RSPL<br>B<br>042<br>J | RSPL<br>B<br>048/060<br>J | RSPL<br>B<br>048/060<br>C |
|--------------------|-------|--|-----------------------|-----------------------|---------------------------|---------------------------|
| <b>HEATER KITS</b> |       |  |                       |                       |                           |                           |
|                    |       | Heater Kit - 05 kW   | N/A                   | RXQJ-A05J             | RXQJ-A05J                 | N/A                       |
|                    |       | Heater Kit - 10 kW   | RXQJ-A10C             | RXQJ-A10J             | RXQJ-A10J                 | RXQJ-A10C                 |
|                    |       | Heater Kit - 15 kW   | RXQJ-A15C             | RXQJ-A15J             | RXQJ-A15J                 | RXQJ-A15C                 |
|                    |       | Heater Kit - 10 kW   | N/A                   | N/A                   | RXQJ-B10J                 | N/A                       |
|                    |       | Heater Kit - 15 kW   | N/A                   | N/A                   | RXQJ-B15J                 | N/A                       |

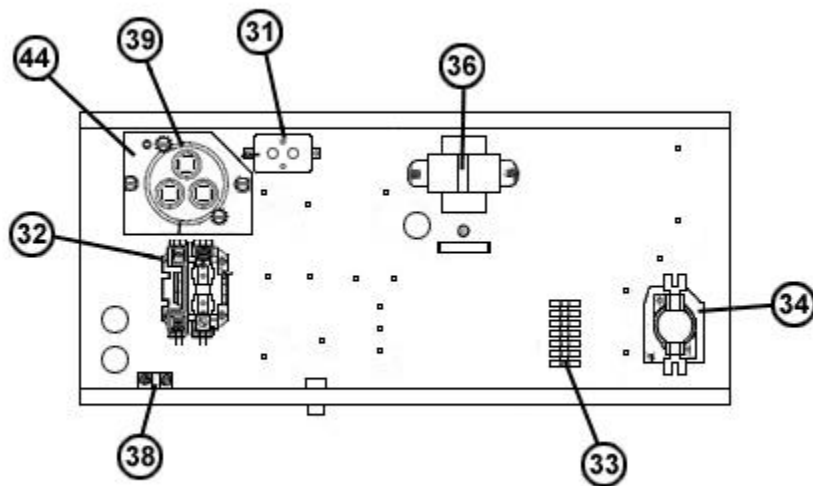
| No.                            | Notes | MODEL<br>VARIATIONS                                   | RSPL<br>ALL |  |  |  |
|--------------------------------|-------|---|-------------|--|--|--|
| <b>OPTIONS AND ACCESSORIES</b> |       |   |             |  |  |  |
|                                |       | Economizer - Downflow, 3 Position                     | RXRE-CAA30  |  |  |  |
|                                |       | Economizer - Downflow, Fully Modulating               | RXRD-CAM10  |  |  |  |
|                                |       | Economizer - Horizontal Application, Fully Modulating | RXRD-CCM10  |  |  |  |
|                                |       | Fresh Air Damper - Fixed, 35%                         | RXRF-FAA1   |  |  |  |
|                                |       | Fresh Air Damper - Motorized, 35%                     | RXRF-FAB1   |  |  |  |
|                                |       | Filter Kit  | RXRY-B01    |  |  |  |
|                                |       | Canadian High Altitude Kit (Natural Gas Only)         | RXRX-AH01   |  |  |  |



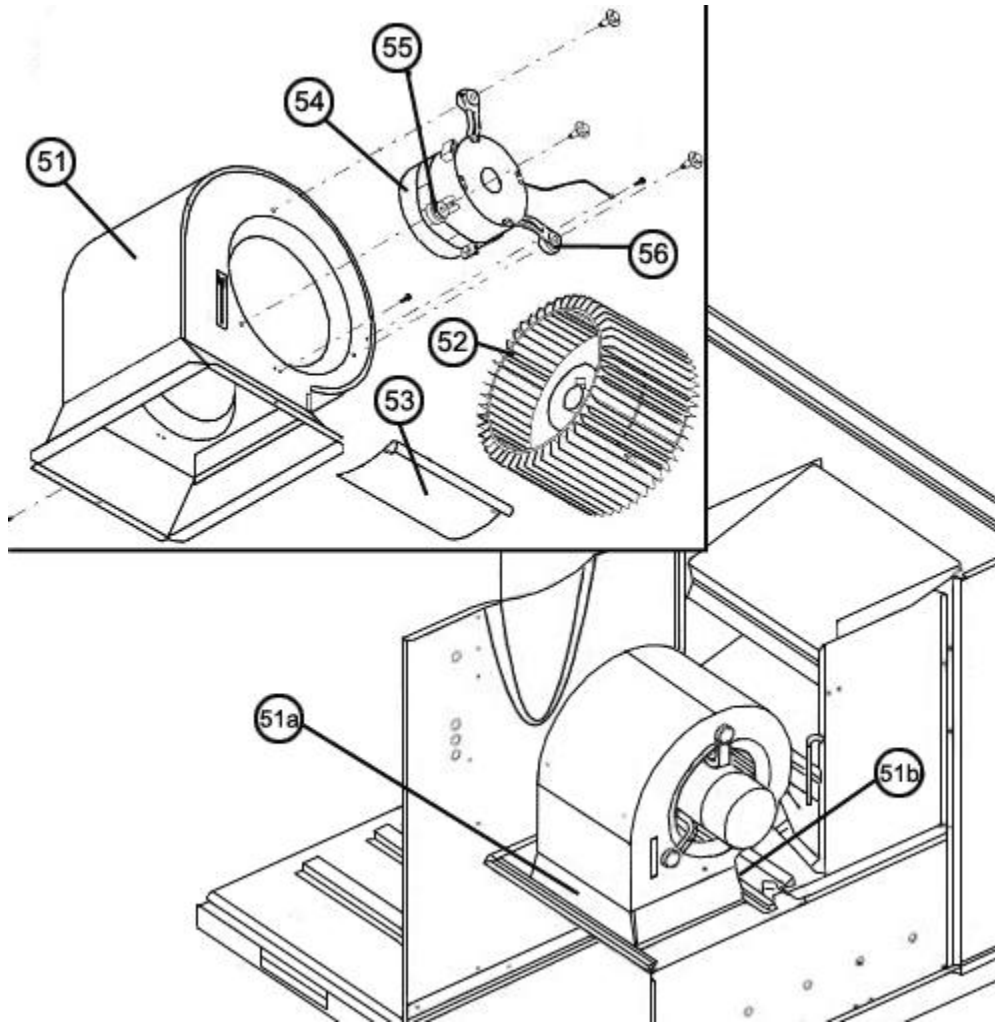
Exploded View



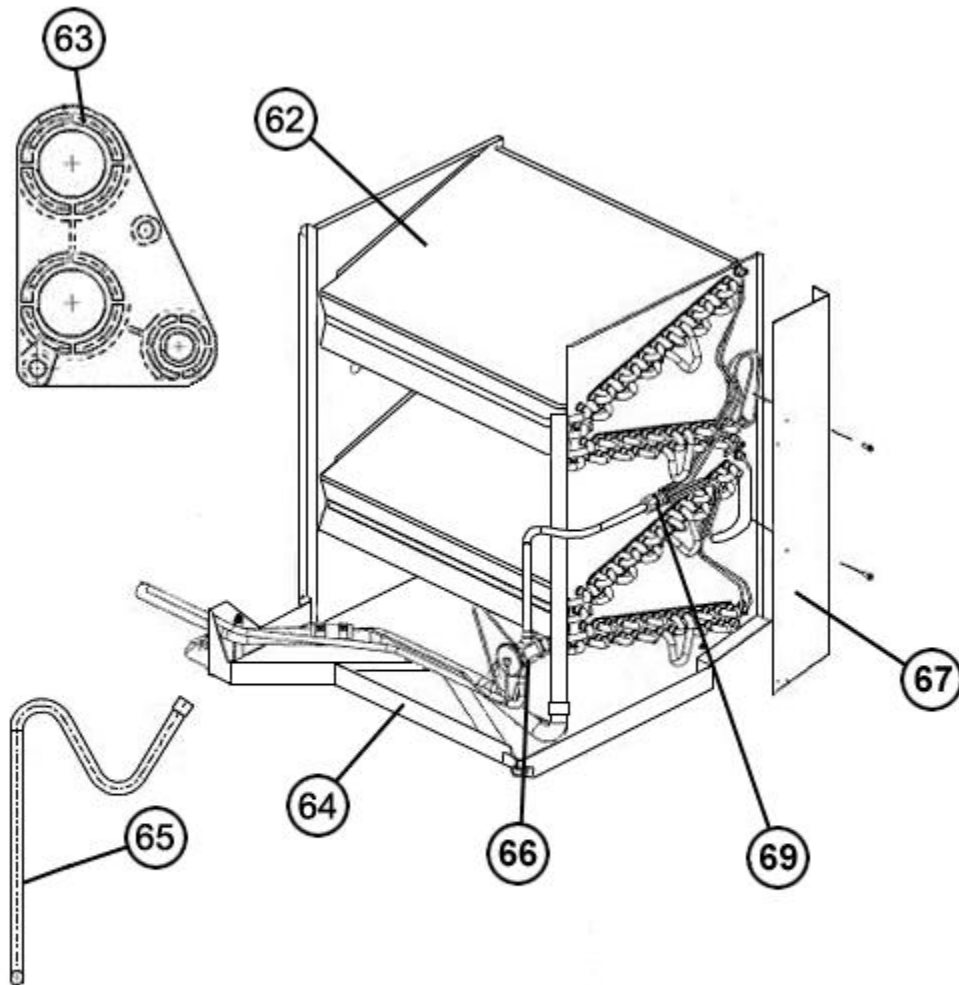
Control Access Panel Detail



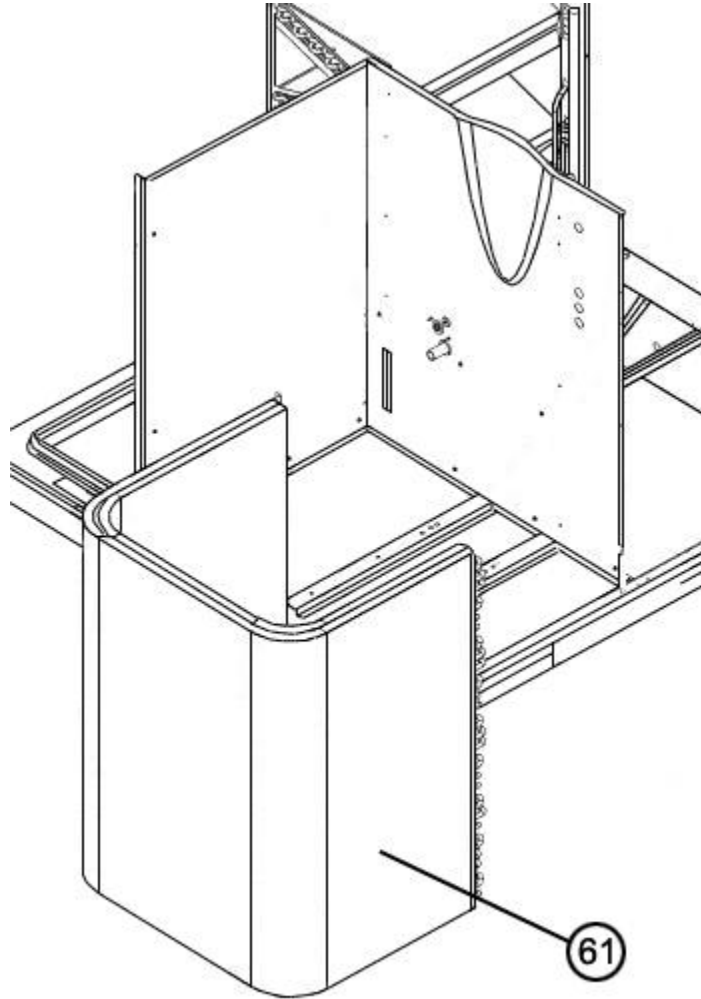
Control Box Assembly



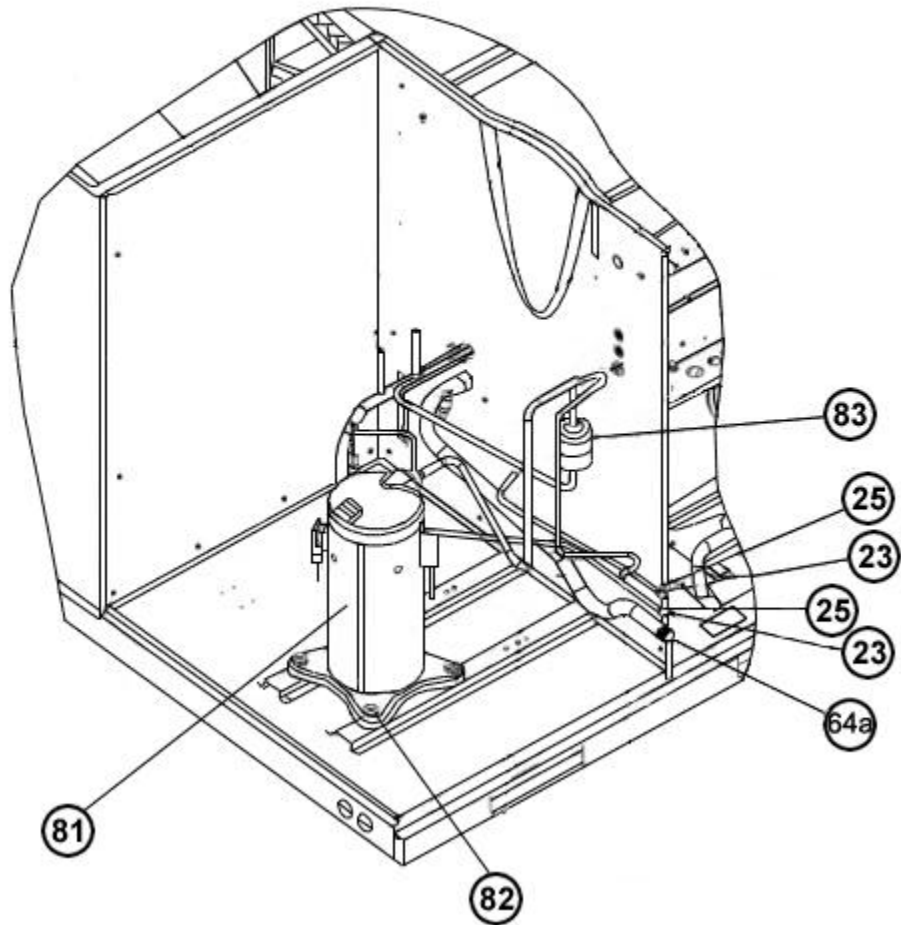
Blower Assembly



Evaporator Coil Assembly



Condenser Coil



Compressor and Refrigeration Components



# NOTES

Stk It is recommended that stock be maintained for this part.

N/A Not Applicable

- 1 Some units were shipped with a Low Pressure Control that is different from that listed. Use the Low Pressure Control specified for replacement.

**DISCLAIMER:** This document is intended to provide general replacement parts information to aid qualified service personnel in the repair of these models. The complete Model and Serial Number of the unit under repair should be specified when selecting and ordering replacement parts. Specifications and illustrations are subject to change without notice. Document 92-42800-RSPL-B supersedes all previous parts lists for these models. See <http://www.rheempartslists.net/92-42800-RSPL-B> for the latest revision of this document. The manufacturer assumes no obligation for errors or omissions. Service personnel must verify the proper and safe operation of equipment after the replacement of any original components.