



RSNL-B

Parts List
08-February-2014



*This parts list is current as of the above revision date.
See <http://www.rheempartslists.net/92-42800-RSNL-B.pdf> for the current revision.*

Package Air Conditioners

Table of Contents

Model Explanation	Page 3
Parts Numbers	
Panels - Miscellaneous (Granite-Steel Gray)	Page 4
Panels - Miscellaneous (Neutra Green)	Page 5
Electrical Group	Page 6
Fan Group	Page 6
Blower Group	Page 7
Coil Parts	Page 7
Compressor Group	Page 8
Heater Kits	Page 9
Accessories	Page 9
Drawings/Photographs	
Exploded View	Page 10
Control Access Panel Detail	Page 11
Control Box Assembly	Page 12
Blower Assembly	Page 13
Evaporator Coil Assembly	Page 14
Condenser Coil	Page 15
Compressor and Refrigeration Components	Page 16
Notes/Disclaimer	Page 17

MODEL NUMBER EXPLANATION

R	S	N	L	-	B	0	6	0	J	K	10	XXX
1	2	3	4		5		6		7	8	9	10

- | | |
|---|--|
| <p>1 TRADEBRAND</p> <p>2 SELF CONTAINED AC</p> <p>3 EFFICIENCY DESIGNATION
N = 13 SEER
P = 14 SEER</p> <p>4 DESIGN SERIES</p> <p>5 TECHNICAL VARIATIONS</p> <p>6 COOLING CAPACITY (BTU/HR)
024 = 24,000 042 = 42,000
030 = 30,000 048 = 48,000
036 = 36,000 060 = 60,000</p> | <p>7 ELECTRICAL DESIGNATION
J = 208-230/1/60
C = 208-230/3/60</p> <p>8 DRIVE PACKAGE
K = Direct Drive</p> <p>9 RESISTANCE HEAT DESIGNATION
000 = No Resistance Heat
005 = 5 kW
010 = 10 kW
015 = 15 kW</p> <p>10 FACTORY INSTALLED OPTIONS
AKA = Side Flow</p> |
|---|--|

SERIAL NUMBER EXPLANATION (Units Produced before Sept. 2013)

5	2	0	3	F	3	8	0	5	0	0	0	0
	1			2		3		4			5	

- 1 COMPRESSOR IDENTIFICATION NUMBER**
- 2 PRODUCTION LOCATION**
F = Fort Smith, AR
- 3 WEEK OF PRODUCTION**
- 4 YEAR OF PRODUCTION**
- 5 PRODUCTION NUMBER**

SERIAL NUMBER EXPLANATION (Units Produced after Sept. 2013)

W	0	8	1	3	9	9	9	9
(1)		(2)		(3)			(4)	

- (1) PLANT CODE**
W = Nuevo Laredo (West)
- (2) WEEK OF PRODUCTION**
- (3) YEAR OF PRODUCTION**
- (4) PRODUCTION NUMBER**

Note: For Compressor Identification Number, see Compressor Code on Rating Plate

No.	Notes	MODEL TECHNICAL VARIATION COOLING CAPACITY	RSNL B 024	RSNL B 030	RSNL B 036	RSNL B 042	RSNL B 048	
PANELS, MISCELLANEOUS PARTS (Granite/Steel Gray, After F4411)								
1		Front Base Pan	AS-58628-07H	AS-58628-07H	AS-58628-07H	AS-58628-07H	AS-58628-07H	
2		Base Rail (2)	AE-58562-03	AE-58562-03	AE-58562-03	AE-58562-03	AE-58562-03	
3		Base Rail (2)	AE-58562-04	AE-58562-04	AE-58562-04	AE-58562-04	AE-58562-04	
4		Back Base Pan	AS-58607-64	AS-58607-64	AS-58607-64	AS-58607-64	AS-58607-64	
5		Blower Shelf	AS-58630-01	AS-58630-01	AS-58630-01	AS-58630-01	AS-58630-01	
6		Blower Shelf Transition	AS-58607-19	AS-58607-19	AS-58607-19	AS-58607-19	AS-58607-19	
7		Divider Panel	AS-58607-03	AS-58607-03	AS-58607-03	AS-58607-03	AS-58607-03	
8		Bulkhead Assembly	AS-58607-62	AS-58607-62	AS-58607-55	AS-58607-57	AS-58607-57	
9		Corner Post Assembly	AS-58607-39H	AS-58607-39H	AS-58607-39H	AS-58607-53H	AS-58607-53H	
10		Blower Access Panel	AS-58607-09H	AS-58607-09H	AS-58607-09H	AS-58607-47H	AS-58607-47H	
11		End Panel Assembly	AS-58607-04H	AS-58607-04H	AS-58607-04H	AS-58607-48H	AS-58607-48H	
12		Supply Cover - Downflow	AS-58607-06H	AS-58607-06H	AS-58607-06H	AS-58607-06H	AS-58607-06H	
12		Supply Cover - Side Option "AKA"	AS-58607-35H	AS-58607-35H	AS-58607-35H	AS-58607-35H	AS-58607-35H	
13		Return Cover - Downflow	AS-58607-05H	AS-58607-05H	AS-58607-05H	AS-58607-05H	AS-58607-05H	
13		Return Cover - Side Option "AKA"	AS-58607-34H	AS-58607-34H	AS-58607-34H	AS-58607-34H	AS-58607-34H	
14		Top Panel	AS-58607-60H	AS-58607-60H	AS-58607-58H	AS-58607-54H	AS-58607-54H	
15		Grille	95-100906-08	95-100906-08	95-100906-08	95-100906-08	95-100906-08	
16		Filter Access Panel	AS-58607-08H	AS-58607-08H	AS-58607-08H	AS-58607-49H	AS-58607-49H	
17		Condenser Louver Panel	AS-58607-61H	AS-58607-61H	AS-58607-61H	AS-58607-56H	AS-58607-56H	
18		Center Post	AS-58569-06H	AS-58569-06H	AS-58569-06H	AS-58569-08H	AS-58569-08H	
19		Control Access Panel	AS-58568-02H	AS-58568-02H	AS-58568-02H	AS-58568-04H	AS-58568-04H	
20		Control Box - (w/o components)	AE-58597-01	AE-58597-01	AE-58597-01	AE-58597-01	AE-58597-01	
21		Control Box Cover	AE-58598-01	AE-58598-01	AE-58598-01	AE-58598-01	AE-58598-01	
22		Blank-Off Plate (No Heat Models Only)	AS-58607-17	AS-58607-17	AS-58607-17	AS-58607-17	AS-58607-17	
23		Bulkhead Valve (2)	61-22369-04	61-22369-04	61-22369-04	61-22369-04	61-22369-04	
24		Heater Mounting Panel	AS-58607-16	AS-58607-16	AS-58607-16	AS-58607-16	AS-58607-16	
25		Bulkhead Valve Locknut (2)	63-22368-01	63-22368-01	63-22368-01	63-22368-01	63-22368-01	
		Bulkhead Valve Cap (2)	83-100635-01	83-100635-01	83-100635-01	83-100635-01	83-100635-01	
		Low Voltage Connection Box	AE-58647-01	AE-58647-01	AE-58647-01	AE-58647-01	AE-58647-01	

No.	Notes	MODEL TECHNICAL VARIATION COOLING CAPACITY	RSNL B 024	RSNL B 030	RSNL B 036	RSNL B 042	RSNL B 048	RSNL B 060
PANELS, MISCELLANEOUS PARTS (Neutra Green, Before F4411)								
1		Front Base Pan	AS-58628-07A	AS-58628-07A	AS-58628-07A	AS-58628-07A	AS-58628-07A	AS-58628-07A
2		Base Rail (2)	AE-58562-03	AE-58562-03	AE-58562-03	AE-58562-03	AE-58562-03	AE-58562-03
3		Base Rail (2)	AE-58562-04	AE-58562-04	AE-58562-04	AE-58562-04	AE-58562-04	AE-58562-04
4		Back Base Pan	AS-58607-64	AS-58607-64	AS-58607-64	AS-58607-64	AS-58607-64	AS-58607-64
5		Blower Shelf	AS-58630-01	AS-58630-01	AS-58630-01	AS-58630-01	AS-58630-01	AS-58630-01
6		Blower Shelf Transition	AS-58607-19	AS-58607-19	AS-58607-19	AS-58607-19	AS-58607-19	AS-58607-19
7		Divider Panel	AS-58607-03	AS-58607-03	AS-58607-03	AS-58607-03	AS-58607-03	AS-58607-03
8		Bulkhead Assembly	AS-58607-62	AS-58607-62	AS-58607-55	AS-58607-57	AS-58607-57	AS-58607-57
9		Corner Post	AS-58607-39A	AS-58607-39A	AS-58607-39A	AS-58607-53A	AS-58607-53A	AS-58607-53A
10		Blower Access Panel	AS-58607-09A	AS-58607-09A	AS-58607-09A	AS-58607-47A	AS-58607-47A	AS-58607-47A
11		End Panel	AS-58607-04A	AS-58607-04A	AS-58607-04A	AS-58607-48A	AS-58607-48A	AS-58607-48A
12		Supply Cover - Downflow	AS-58607-06A	AS-58607-06A	AS-58607-06A	AS-58607-06A	AS-58607-06A	AS-58607-06A
12		Supply Cover - Side Option "AKA"	AS-58607-35A	AS-58607-35A	AS-58607-35A	AS-58607-35A	AS-58607-35A	AS-58607-35A
13		Return Cover - Downflow	AS-58607-05A	AS-58607-05A	AS-58607-05A	AS-58607-05A	AS-58607-05A	AS-58607-05A
13		Return Cover - Side Option "AKA"	AS-58607-34A	AS-58607-34A	AS-58607-34A	AS-58607-34A	AS-58607-34A	AS-58607-34A
14		Top Panel	AS-58607-60A	AS-58607-60A	AS-58607-58A	AS-58607-54A	AS-58607-54A	AS-58607-54A
15		Grille	95-100906-08	95-100906-08	95-100906-08	95-100906-08	95-100906-08	95-100906-08
16		Filter Access Panel	AS-58607-08A	AS-58607-08A	AS-58607-08A	AS-58607-49A	AS-58607-49A	AS-58607-49A
17		Condenser Louver Panel	AS-58607-61A	AS-58607-61A	AS-58607-61A	AS-58607-56A	AS-58607-56A	AS-58607-56A
18		Center Post	AS-58569-06A	AS-58569-06A	AS-58569-06A	AS-58569-08A	AS-58569-08A	AS-58569-08A
19		Control Access Panel	AS-58568-02A	AS-58568-02A	AS-58568-02A	AS-58568-04A	AS-58568-04A	AS-58568-04A
20		Control Box - (w/o components)	AE-58597-01	AE-58597-01	AE-58597-01	AE-58597-01	AE-58597-01	AE-58597-01
21		Control Box Cover	AE-58598-01	AE-58598-01	AE-58598-01	AE-58598-01	AE-58598-01	AE-58598-01
22		Blank-Off Plate (No Heat Models Only)	AS-58607-17	AS-58607-17	AS-58607-17	AS-58607-17	AS-58607-17	AS-58607-17
23		Bulkhead Valve (2)	61-22369-04	61-22369-04	61-22369-04	61-22369-04	61-22369-04	61-22369-04
24		Heater Mounting Panel	AS-58607-16	AS-58607-16	AS-58607-16	AS-58607-16	AS-58607-16	AS-58607-16
25		Bulkhead Valve Locknut (2)	63-22368-01	63-22368-01	63-22368-01	63-22368-01	63-22368-01	63-22368-01
		Bulkhead Valve Cap (2)	83-100635-01	83-100635-01	83-100635-01	83-100635-01	83-100635-01	83-100635-01
		Low Voltage Connection Box	AE-58647-01	AE-58647-01	AE-58647-01	AE-58647-01	AE-58647-01	AE-58647-01

No.	Notes	MODEL TECHNICAL VARIATION COOLING CAPACITY ELECTRICAL DESIGNATION	RSNL	RSNL	RSNL	RSNL	RSNL	RSNL	
			B 024 J	B 030 J	B 036 J	B 042 J	B 048 J	B 060 J	
ELECTRICAL GROUP									
31	Stk	Relay - Blower Motor	42-101208-01	42-101208-01	42-101208-01	42-101208-01	42-101208-01	42-21571-08	
32	Stk	Contactora	42-42728-03	42-42728-03	42-42728-03	42-42728-03	42-42728-03	42-42728-03	
33		Terminal Strip	45-23591-01	45-23591-01	45-23591-01	45-23591-01	45-23591-01	45-23591-01	
34	Stk	Sequencing Relay	42-21593-05	42-21593-05	42-21593-05	42-21593-05	42-21593-05	N/A	
36	Stk	Transformer	46-18788-07	46-18788-07	46-18788-07	46-18788-07	46-18788-07	46-18788-05	
37		Blower Capacitor	See Blower Group						
38		Ground Lug	45-19000-01	45-19000-01	45-19000-01	45-19000-01	45-19000-01	45-19000-01	
39		Capacitor - Compressor/Fan	See Fan Group						
43	Stk	Limit Control - Blower Shelf	47-25334-01	47-25334-01	47-25334-01	47-25334-01	47-25334-01	47-25334-01	
		Wire Harness - 6 pin to heater kit	45-104222-01	45-104222-01	45-104222-01	45-104222-01	45-104222-01	45-104222-01	
		Start Relay	See Compressor Section						
		Start Capacitor	See Compressor Section						
		Comfort Alert	N/A	N/A	N/A	N/A	N/A	42-101504-02	
44		Capacitor Adapter Plate (2 in. round capacitor)	AE-54609-01	AE-54609-01	AE-54609-01	AE-54609-01	AE-54609-01	AE-54609-01	
44		Capacitor Adapter Plate (2 in. X 1-1/4 in. oval capacitor)	AE-54609-02	AE-54609-02	AE-54609-02	AE-54609-02	AE-54609-02	AE-54609-02	

No.	Notes	MODEL TECHNICAL VARIATION COOLING CAPACITY ELECTRICAL DESIGNATION	RSNL	RSNL	RSNL	RSNL			
			B 036 C	B 042 C	B 048 C	B 060 C			
ELECTRICAL GROUP									
31	Stk	Relay - Blower Motor	42-101208-01	42-101208-01	42-101208-01	42-21571-08			
32	Stk	Contactora	42-22464-01	42-22464-01	42-22464-01	42-22464-01			
33		Terminal Strip	45-23591-01	45-23591-01	45-23591-01	45-23591-01			
34	Stk	Sequencing Relay	42-21593-05	42-21593-05	42-21593-05	N/A			
36	Stk	Transformer	46-18788-07	46-18788-07	46-18788-07	46-18788-07			
37		Blower Capacitor	See Blower Group						
38		Ground Lug	45-19000-01	45-19000-01	45-19000-01	45-19000-01			
39		Capacitor - Compressor/Fan	See Fan Group						
43	Stk	Limit Control - Blower Shelf	47-25334-01	47-25334-01	47-25334-01	47-25334-01			
		Wire Harness - 6 pin to heater kit	45-104222-01	45-104222-01	45-104222-01	45-104222-01			
		Comfort Alert	N/A	N/A	N/A	42-101504-03			
44		Capacitor Adapter Plate (2 in. round capacitor)	AE-54609-01	AE-54609-01	AE-54609-01	AE-54609-01			
44		Capacitor Adapter Plate (2 in. X 1-1/4 in. oval capacitor)	AE-54609-02	AE-54609-02	AE-54609-02	AE-54609-02			

No.	Notes	MODEL TECHNICAL VARIATION COOLING CAPACITY ELECTRICAL DESIGNATION	RSNL	RSNL	RSNL	RSNL	RSNL	RSNL
			B 024 J	B 030 J	B 036 J	B 042 J	B 048 J	B 060 J
FAN GROUP								
Note: 024, 030, and 036 units produced before F3706 may have been produced with a different motor, capacitor, and fan blade combination than shown below. If replacing any of these components on older units, all three components must be changed in accordance with those listed below. Failure to do so may affect motor reliability and increase fan noise.								
39	Stk	Capacitor - Fan/Compressor	43-26271-09	43-26271-09	43-26271-41	43-101665-42	43-101662-47	43-101665-30
40	Stk	Fan Motor	51-100998-24	51-100998-24	51-100998-24	51-100998-19	51-100998-19	51-100998-19
41	Stk	Fan Blade	70-101323-19	70-101323-19	70-101323-19	70-23594-02	70-23594-02	70-23594-02

No.	Notes	MODEL TECHNICAL VARIATION COOLING CAPACITY ELECTRICAL DESIGNATION	RSNL	RSNL	RSNL	RSNL		
			B 036 C	B 042 C	B 048 C	B 060 C		
FAN GROUP								
39	Stk	Capacitor - Fan Motor	43-100496-04	43-100496-12	43-100496-12	43-100496-12		
40	Stk	Fan Motor	51-100998-24	51-100998-19	51-100998-19	51-100998-19		
41	Stk	Fan Blade	70-101323-19	70-23594-02	70-23594-02	70-23594-02		

No.	Notes	MODEL TECHNICAL VARIATION COOLING CAPACITY ELECTRICAL DESIGNATION	RSNL	RSNL	RSNL	RSNL	RSNL	RSNL
			B 024 J	B 030 J	B 036 J	B 042 J	B 048 J	B 060 J
BLOWER GROUP								
	Stk	Blower Assembly (Includes items 37, 51-56)	AS-58662-01	AS-58662-05	AS-58662-05	AS-58662-05	AS-58662-06	AS-58662-41
37	Stk	Capacitor - Blower Motor	43-100496-04	43-100496-12	43-100496-12	43-100496-12	43-100496-45	N/A
51		Housing	AS-58619-01	AS-58619-02	AS-58619-02	AS-58619-02	AS-58619-02	N/A
51		Housing w/Blower Wheel	N/A	N/A	N/A	N/A	N/A	70-100840-02
51a		Transition	N/A	N/A	N/A	N/A	N/A	AE-102207-05
51b		Transition - Back	N/A	N/A	N/A	N/A	N/A	AE-102207-06
52	Stk	Blower Wheel	70-20218-01	70-18625-03	70-18625-01	70-18625-03	70-18625-03	703016
53		Cut-Off	AE-64401-10	AE-64401-06	AE-64401-06	AE-64401-06	AE-64401-06	N/A
54	Stk	Blower Motor	51-23608-02	51-23609-04	51-23609-04	51-23609-04	51-23650-01	51-101984-05
		Motor Mounting Bracket Assembly (Includes 55, 56)	AS-53148-03	AS-53148-04	AS-53148-04	AS-53148-04	AS-53148-04	N/A
55		Motor Band	70-19927-01	70-19927-01	70-19927-01	70-19927-01	70-19927-01	70-19927-03
56		Arm Assembly	70-19929-02	70-19929-02	70-19929-02	70-19929-02	70-19929-02	70-19929-09

No.	Notes	MODEL TECHNICAL VARIATION COOLING CAPACITY ELECTRICAL DESIGNATION	RSNL	RSNL	RSNL	RSNL		
			B 036 C	B 042 C	B 048 C	B 060 C		
BLOWER GROUP								
	Stk	Blower Assembly (Includes items 37, 51-56)	AS-58662-05	AS-58662-05	AS-58662-06	AS-58662-41		
37	Stk	Capacitor - Blower Motor	43-100496-12	43-100496-12	43-100496-45	N/A		
51		Housing	AS-58619-02	AS-58619-02	AS-58619-02	N/A		
51		Housing w/Blower Wheel	N/A	N/A	N/A	AS-58662-41		
51a		Transition	N/A	N/A	N/A	AE-102207-05		
51b		Transition - Back	N/A	N/A	N/A	AE-102207-06		
52	Stk	Blower Wheel	70-18625-01	70-18625-03	70-18625-03	703016		
53		Cut-Off	AE-64401-06	AE-64401-06	AE-64401-06	N/A		
54	Stk	Blower Motor	51-23609-04	51-23609-04	51-23650-01	51-101984-05		
		Motor Mounting Bracket Assembly (Includes 55, 56)	AS-53148-04	AS-53148-04	AS-53148-04	N/A		
55		Motor Band	70-19927-01	70-19927-01	70-19927-01	70-19927-03		
56		Arm Assembly	70-19929-02	70-19929-02	70-19929-02	70-19929-09		

No.	Notes	MODEL TECHNICAL VARIATION COOLING CAPACITY	RSNL	RSNL	RSNL	RSNL	RSNL	RSNL
			B 024	B 030	B 036	B 042	B 048	B 060
COIL GROUP								
CONDENSER COIL:								
61	Stk	Condenser Coil	AS-101997-03	AS-101997-03	AS-101993-03	AS-101994-03	AS-101996-01	AS-101996-01
		Distributor Assembly	AS-101689-02	AS-101689-02	AS-101689-02	N/A	AS-101689-01	AS-101689-01
		Distributor - 2 way (3/8 in. to 3/8 in.)	83-17467-02	83-17467-02	83-17467-02	N/A	83-17467-02	83-17467-02
		Access Valve Body	61-18542-01	61-18542-01	61-18542-01	61-18542-01	61-18542-01	61-18542-01
		Access Valve Core	61-18551-01	61-18551-01	61-18551-01	61-18551-01	61-18551-01	61-18551-01
EVAPORATOR COIL:								
62	Stk	Evaporator Coil w/Drain Pan	AS-102660-04	AS-102660-04	AS-102660-03	AS-102660-02	AS-102660-01	AS-102660-01
62	Stk	Evaporator Coil w/Drain Pan (Tin Plated)	AS-104668-04	AS-104668-04	AS-104668-03	AS-104668-02	AS-104668-01	AS-104668-01
63		Drain Pan Grommet	56-23601-01	56-23601-01	56-23601-01	56-23601-01	56-23601-01	56-23601-01
64	Stk	Drain Pan - Before F4507	AS-58607-32	AS-58607-32	AS-58607-32	AS-58607-32	AS-58607-32	AS-58607-32
64	Stk	Drain Pan - After F4507	68-23602-02	68-23602-02	68-23602-02	68-23602-02	68-23602-02	68-23602-02
64a		Drain Trap - (Attached to Drain Pan)	68-23603-01	68-23603-01	68-23603-01	68-23603-01	68-23603-01	68-23603-01
65		Aux Drain Pipe	AE-58611-01	AE-58611-01	AE-58611-01	AE-58611-01	AE-58611-01	AE-58611-01
66	Stk	TXV	61-102211-01	61-102211-02	61-102211-02	61-102211-03	61-102211-04	61-102211-05
67		Condensate Shield	AE-101751-01	AE-101751-01	AE-101751-01	AE-101751-02	AE-101751-02	AE-101751-02
68		Condensate Barrier	AE-100544-01	AE-100544-01	AE-100544-01	AE-100544-02	AE-100544-02	AE-100544-02
69	Stk	Distributor/Piston Assembly	61-102106-12	61-102106-12	61-102106-14	61-102108-14	61-102108-17	61-102108-17
	Stk	Piston Kit (Piston, Teflon Ring)	61-25414-12	61-25414-12	61-25414-14	61-25414-14	61-25414-17	61-25414-17
		TXV Bulb Strap Kit	64-101357-01	64-101357-01	64-101357-01	N/A	N/A	N/A
REFRIGERATION GROUP:								
	Stk	High Pressure Control	N/A	N/A	N/A	N/A	N/A	47-102290-01
	Stk,1	Low Pressure Control - See Note 1	N/A	N/A	N/A	N/A	N/A	47-101529-09
83	Stk	Filter Drier - Liquid Line	83-22755-05	83-22755-05	83-22755-05	83-22755-05	83-22755-05	83-22755-05

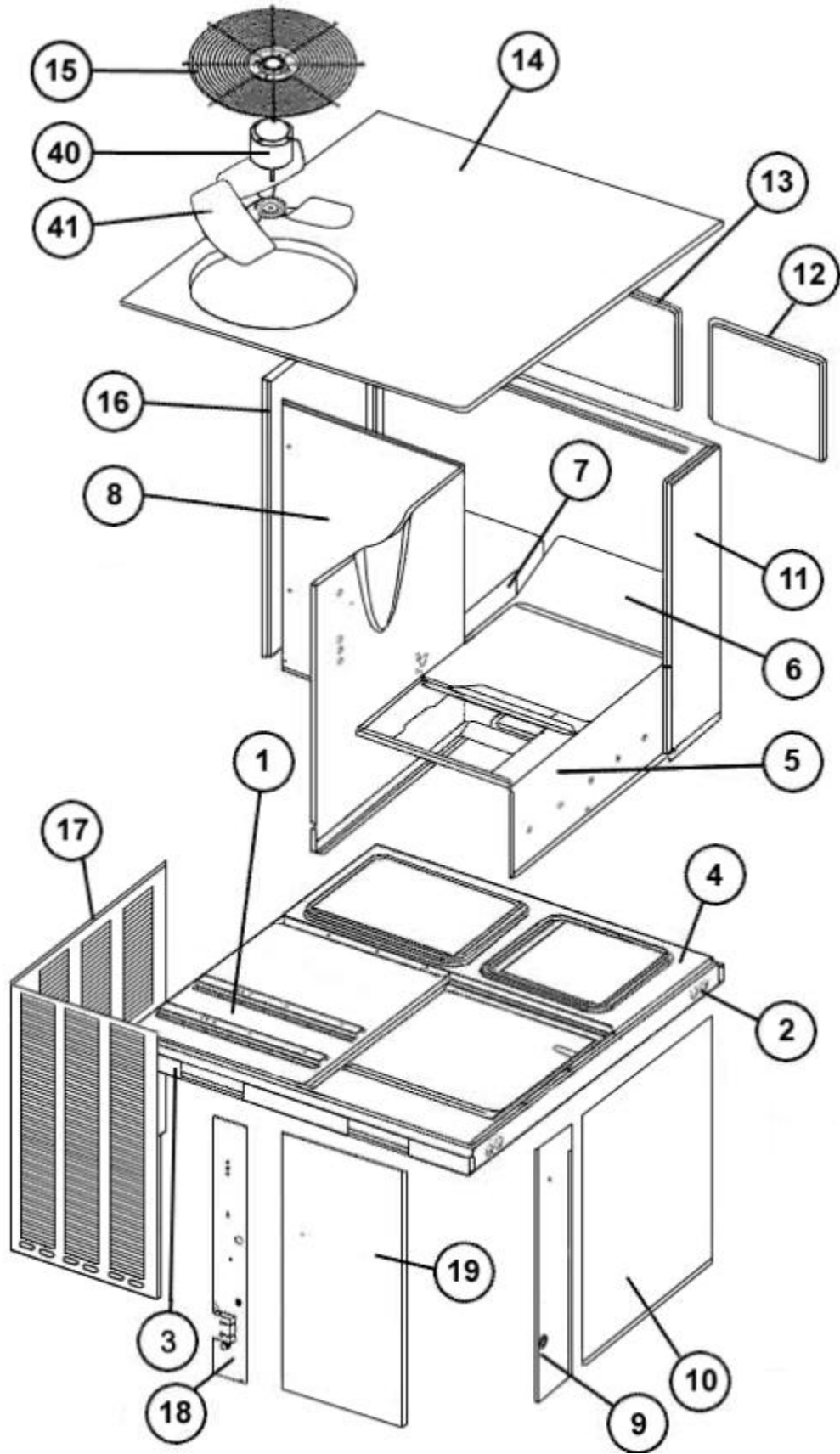
No.	Notes	MODEL TECHNICAL VARIATION COOLING CAPACITY ELECTRICAL DESIGNATION	RSNL	RSNL	RSNL	RSNL	RSNL	RSNL	
			B 024 J	B 030 J	B 036 J	B 042 J	B 048 J	B 060 J	
COMPRESSOR GROUP									
		Compressor ID:	7418	7419	7421	7423	7425	7427	
81	Stk	Compressor	55-102045-01S	55-102045-02S	55-102045-03S	55-102045-12S	55-102045-09S	55-23156-11S	
82		Grommet (4)	56-18518-16	56-18518-16	56-18518-16	56-18518-06	56-18518-06	56-18518-06	
		Capacitor - Compressor/Fan	See Fan Group						
	Stk	Start Relay	N/A	N/A	N/A	N/A	N/A	42-18282-26	
	Stk	Start Capacitor	N/A	N/A	N/A	N/A	N/A	43-17075-04	
	Stk	Compressor Wiring Harness (Low Voltage - Molded Plug)	N/A	N/A	N/A	N/A	N/A	45-101723-01	
	Stk	Compressor Wiring Harness (Line Voltage - Molded Plug)	45-100834-80	45-100834-80	45-100834-80	45-100834-80	45-100834-80	45-100834-80	

No.	Notes	MODEL TECHNICAL VARIATION COOLING CAPACITY ELECTRICAL DESIGNATION	RSNL	RSNL	RSNL	RSNL			
			B 036 C	B 042 C	B 048 C	B 060 C			
COMPRESSOR GROUP									
		Compressor ID:	7420	7422	7424	7426			
81	Stk	Compressor	55-102045-05S	55-102045-16S	55-102045-11S	55-23156-13S			
82		Grommet (4)	56-18518-16	56-18518-06	56-18518-06	56-18518-06			
		Capacitor - Compressor/Fan	See Fan Group						
	Stk	Compressor Wiring Harness (Low Voltage - Molded Plug)	N/A	N/A	N/A	45-101723-01			
	Stk	Compressor Wiring Harness (Line Voltage - Molded Plug)	45-100834-80	45-100834-80	45-100834-80	45-100834-80			

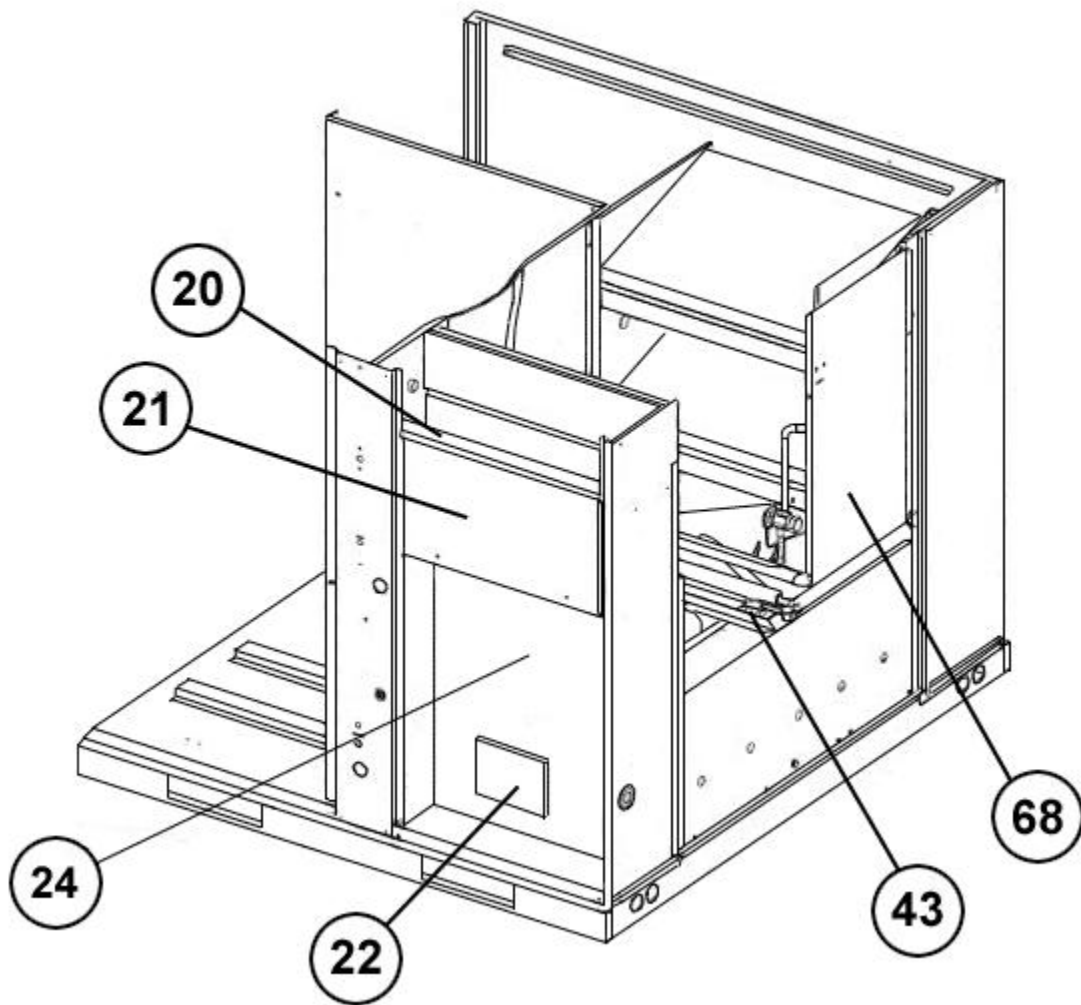
No.	Notes	MODEL TECHNICAL VARIATION COOLING CAPACITY ELECTRICAL DESIGNATION	RSNL B 024 J	RSNL B 030 J	RSNL B 036 C	RSNL B 036 J
HEATER KITS						
		Heater Kit - 5 kW	RXQJ-A05J	RXQJ-A05J	N/A	RXQJ-A05J
		Heater Kit - 10 kW	RXQJ-A10J	RXQJ-A10J	RXQJ-A10C	RXQJ-A10J
		Heater Kit - 15 kW	N/A	N/A	RXQJ-A15C	RXQJ-A15J

No.	Notes	MODEL TECHNICAL VARIATION COOLING CAPACITY ELECTRICAL DESIGNATION	RSNL B 042 C	RSNL B 042 J	RSNL B 048/060 J	RSNL B 048/060 C
HEATER KITS						
		Heater Kit - 5 kW	N/A	RXQJ-A05J	RXQJ-A05J	N/A
		Heater Kit - 10 kW	RXQJ-A10C	RXQJ-A10J	RXQJ-A10J	RXQJ-A10C
		Heater Kit - 10 kW	N/A	N/A	RXQJ-B10J	N/A
		Heater Kit - 15 kW	N/A	RXQJ-A15J	RXQJ-A15J	N/A
		Heater Kit - 15 kW	RXQJ-A15C	N/A	RXQJ-B15J	RXQJ-A15C

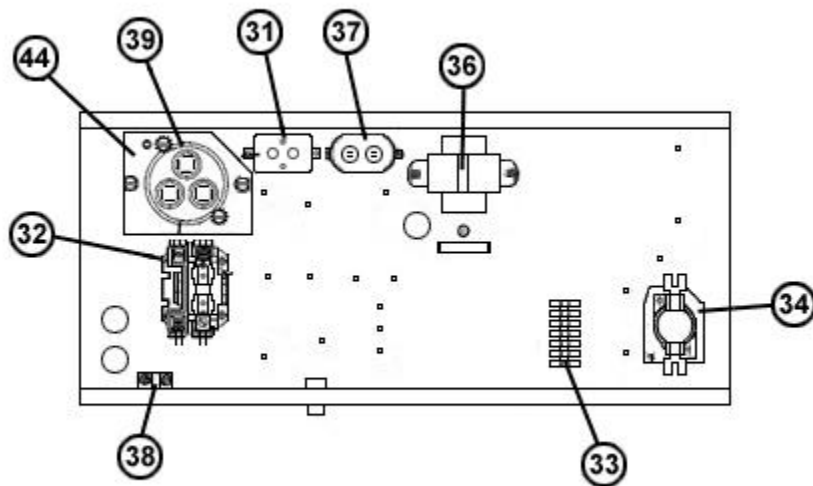
No.	Notes	MODEL VARIATIONS	RSNL ALL			
OPTIONS AND ACCESSORIES						
		Economizer - Downflow, 3 Position	RXRE-CAA30			
		Economizer - Downflow, Fully Modulating	RXRD-CAM10			
		Economizer - Horizontal Application, Fully Modulating	RXRD-CCM10			
		Fresh Air Damper - Fixed, 35%	RXRF-FAA1			
		Fresh Air Damper - Motorized, 35%	RXRF-FAB1			
		Filter Kit	RXRY-B01			
		Canadian High Altitude Kit (Natural Gas Only)	RXRX-AH01			



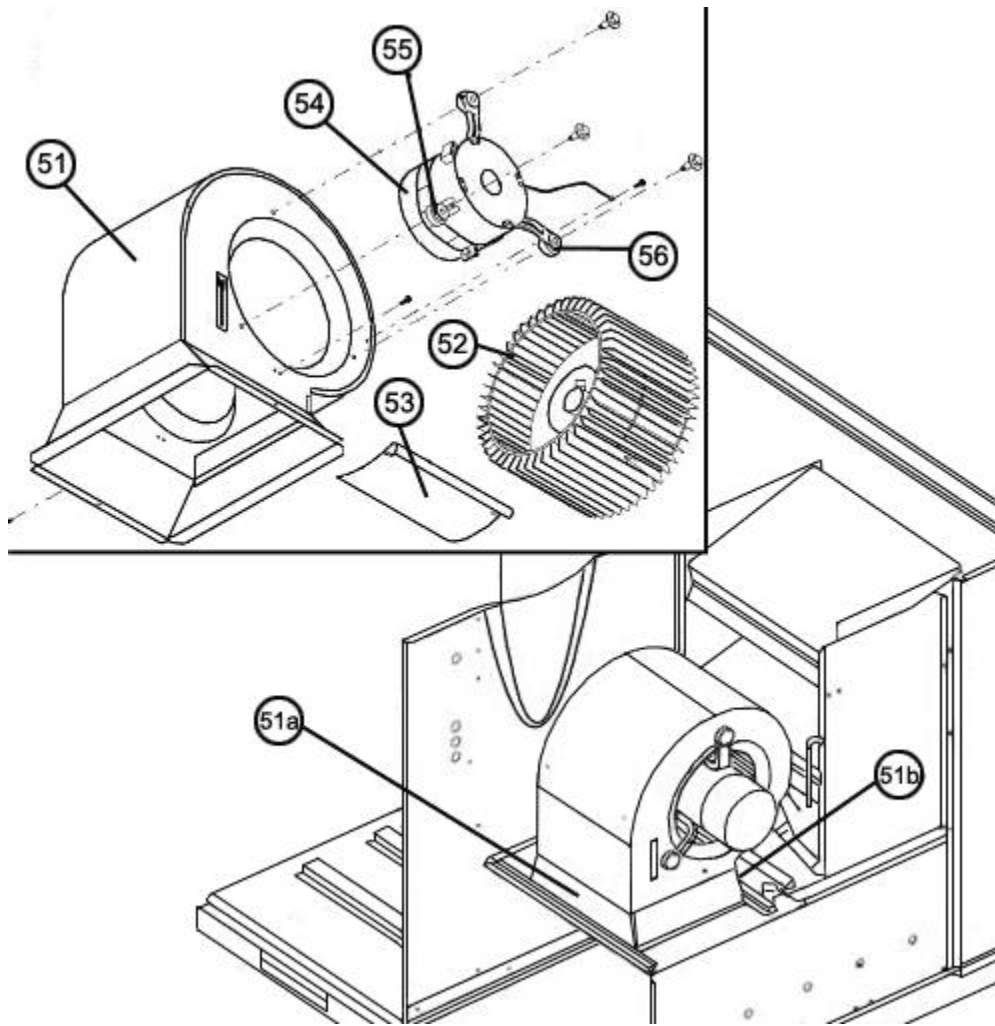
Exploded View



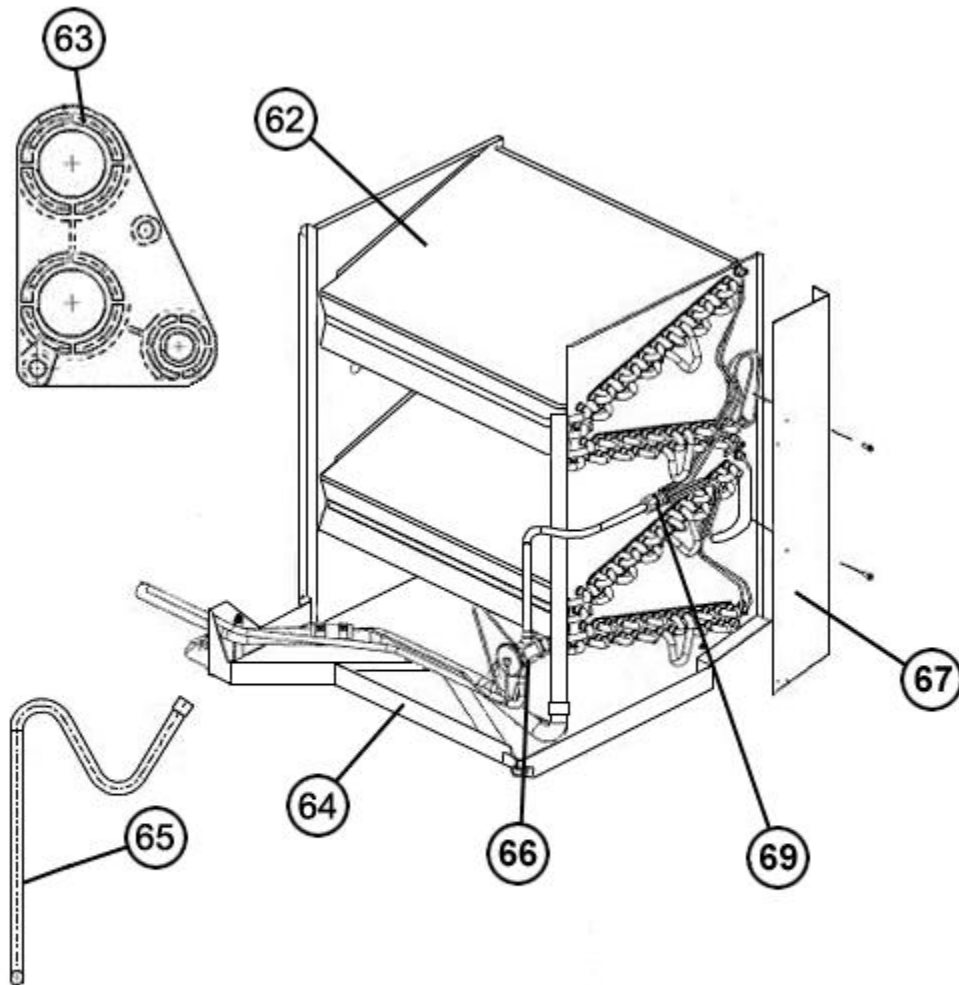
Control Access Panel Detail



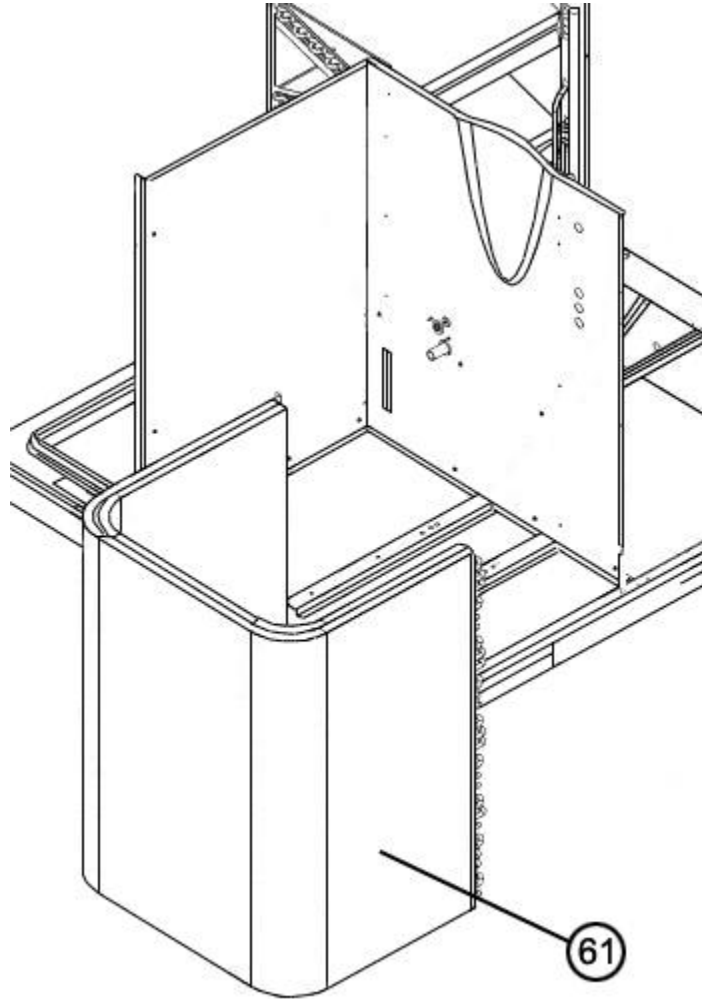
Control Box Assembly



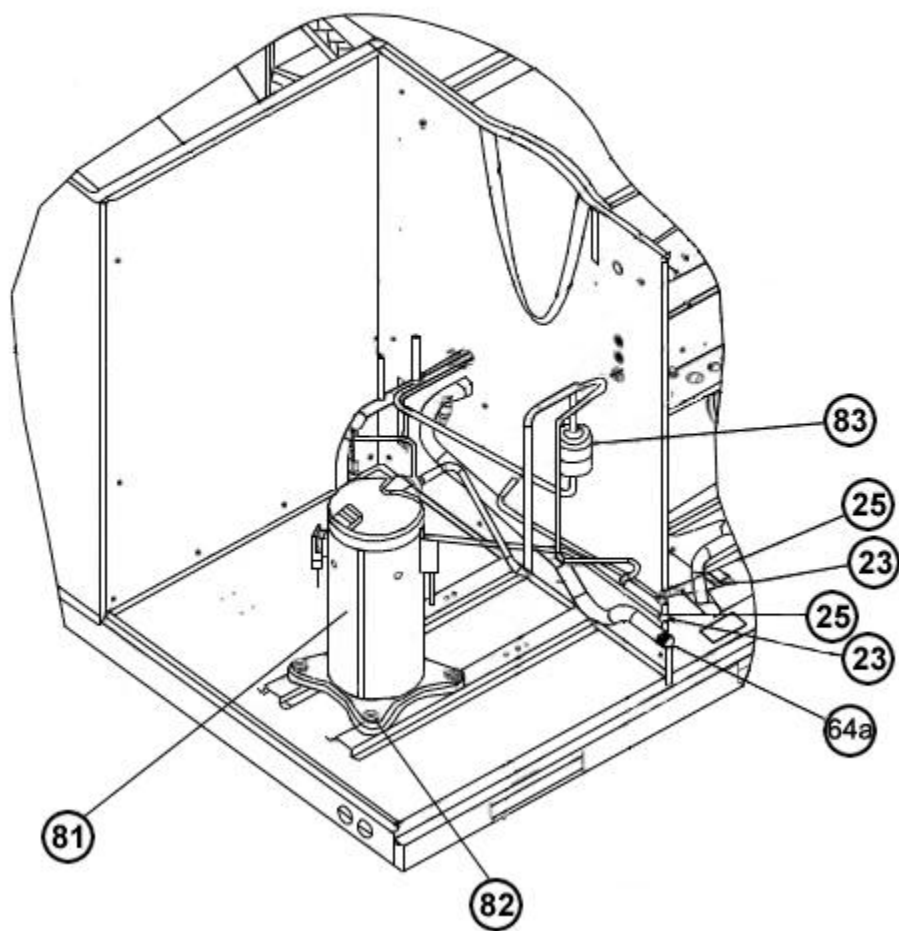
Blower Assembly



Evaporator Coil Assembly



Condenser Coil



Compressor and Refrigeration Components

NOTES

Stk It is recommended that stock be maintained for this part.
N/A Not Applicable

DISCLAIMER: This document is intended to provide general replacement parts information to aid qualified service personnel in the repair of these models. The complete Model and Serial Number of the unit under repair should be specified when selecting and ordering replacement parts. Specifications and illustrations are subject to change without notice. Document 92-42800-RSNL-B supersedes all previous parts lists for these models. See <http://www.rheempartslists.net/92-42800-RSNL-B> for the latest revision of this document. The manufacturer assumes no obligation for errors or omissions. Service personnel must verify the proper and safe operation of equipment after the replacement of any original components.