



SUBMITTAL COVER SHEET

PROJECT NAME _____

LOCATION _____

ARCHITECT _____

ENGINEER _____

CONTRACTOR _____

SUBMITTED BY _____ DATE _____

UNIT SUMMARY

Quantity						
Unit Designation						
Model No.						
Total Cooling						
Sensible Cooling						
Air Ent. Evaporator						
Air Lvg. Evaporator						
Heating Input						
Heating Output						
CFM/ESP						
EER/SEER						
Electrical						
Minimum Ampacity						
Min.-Max. Breaker						
Net Unit Weight						
Accessory						
Catalog Form Number						

ACCESSORIES:

NOTES:

**SUBMITTAL SHEET FOR PACKAGE GAS ELECTRIC
FEATURING EARTH-FRIENDLY R-410A REFRIGERANT
RRNL-B HIGH EFFICIENCY 13 SEER SERIES
RRPL-B HIGH EFFICIENCY 14 SEER SERIES
RRRL-B HIGH EFFICIENCY 16 SEER SERIES
Nominal Sizes 2 thru 5 Tons [7.0 thru 17.0 kW]**



JOB NAME _____ DATE _____

CONTRACTOR _____ UNIT DESIGNATION _____

ENGINEER _____ MODEL NO. _____

SUBMITTED FOR APPROVAL RECORD LOCATION _____

SUBMITTED BY _____ ORDER NO. _____

UNIT DATA

COOLING PERFORMANCE

TOTAL CAPACITY* _____ MBH
 SENSIBLE CAPACITY* _____ MBH
 OUTDOOR DESIGN TEMP. _____ °F [°C] DB/WB
 TOTAL SUPPLY AIR _____ CFM [L/s]
 TEMP. OF AIR ENTERING _____ °F [°C] DB/WB
 EVAPORATOR COIL..... °F [°C] DB/WB
 POWER INPUT REQUIREMENT KW
 SEER RATING.....
 (*uses blower motor heat)

HEATING PERFORMANCE

GAS HEAT INPUT CAPACITY..... MBH
 GAS HEAT OUTPUT CAPACITY..... MBH
 STEADY STATE EFF MBH
 AFUE C.O.P.

SUPPLY AIR BLOWER PERFORMANCE

TOTAL SUPPLY AIR _____ CFM [L/s]
 TOTAL RESISTANCE EXTERNAL TO UNIT..... IWG
 BLOWER SPEED RPM
 POWER OUTPUT REQUIREMENT .. BHP
 MOTOR RATING HP [W]
 POWER INPUT REQUIREMENT KW

ELECTRICAL DATA

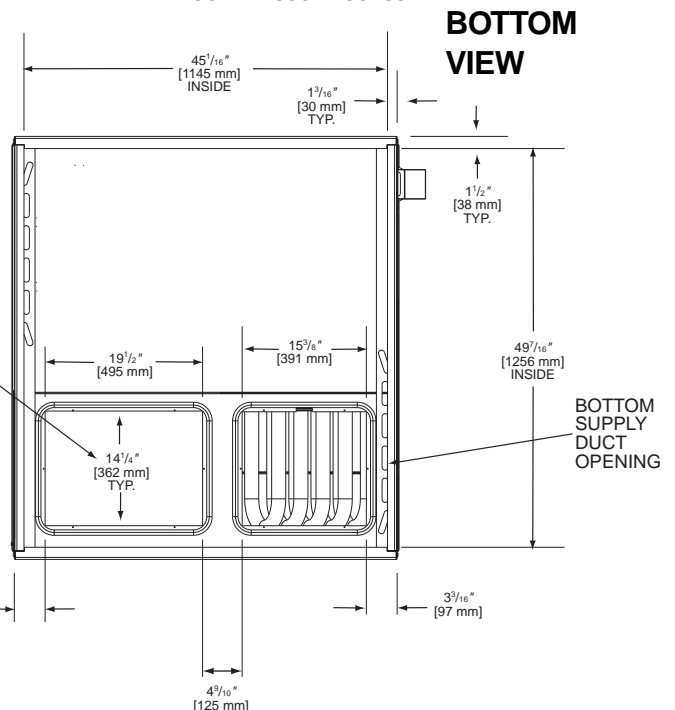
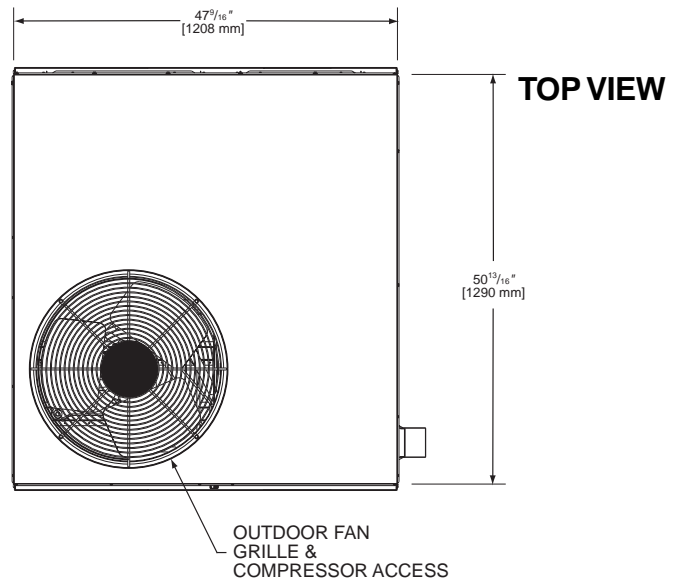
POWER SUPPLY Hz
 TOTAL UNIT AMPACITY..... AMPS
 MINIMUM WIRE SIZE AWG
 MAXIMUM OVERCURRENT DEVICE FUSES HACR BREAKER AMPS

TOTAL UNIT WEIGHT

TOTAL OPERATING WEIGHT LBS [kg]
 (including field-installed accessories)

CLEARANCES

SIDE "A" (WITHOUT ECONOMIZER) 2" [50.8 mm]
 SIDE "B" (WITHOUT ECONOMIZER) 12" [304.8 mm]
 SIDE "C" (WITHOUT ECONOMIZER) 48" [1,219.2 mm]
 SIDE "D" (WITHOUT ECONOMIZER) 24" [610 mm]
 ABOVE UNIT (WITHOUT ECONOMIZER) 60" [1,524 mm]



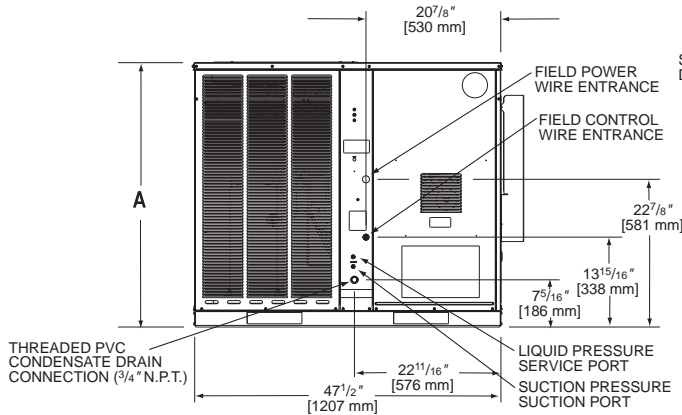
[] Designates Metric Conversions

FIELD INSTALLED ACCESSORIES

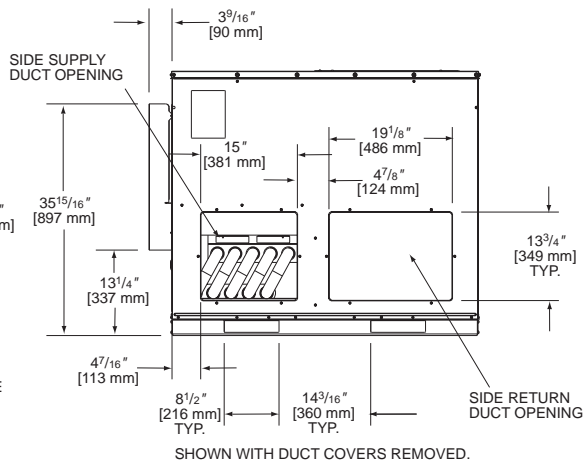
- Roof Curb (8" [203.2 mm], 14" [355.6 mm] & 24" [609.6 mm] High Full Platform).....
- Roof Curb (14" [355.6 mm] & 24" [609.6 mm] Sloped Platform)
- Filter Accessory.....
- Lift Kit (For Rigging)
- Time Delay Relay
- Start Assist
- Low Ambient Control

- Low Pressure Control
- Economizer (Enthalpy Controlled) Downflow Only
- Manual Fresh Air Damper
- L.P. (Propane) Kit
- Transition (Rectangular-Round) Downflow/Sideflow ..
- Concentric Diffuser and Grille
- High Pressure Control
- Thermostat

FRONT VIEW

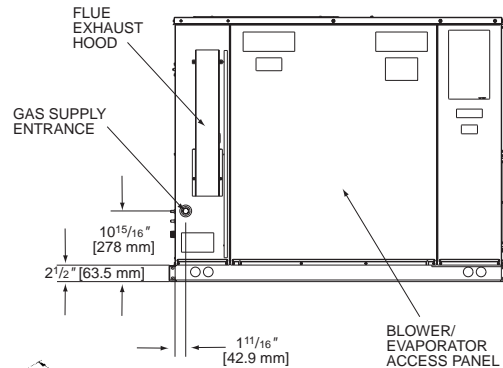


BACK VIEW

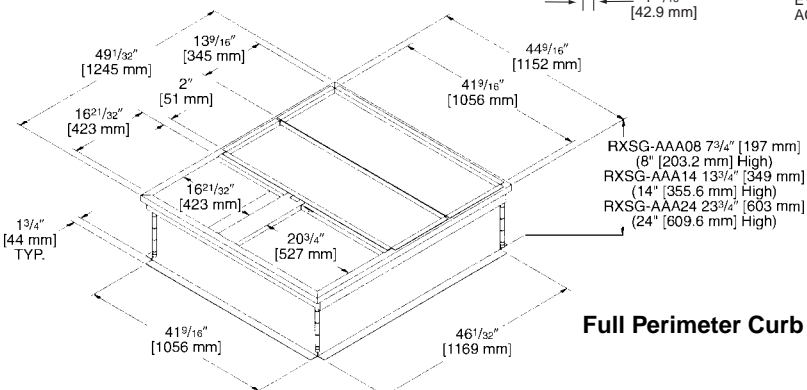
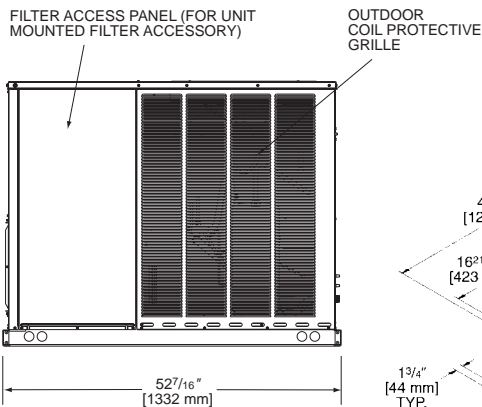


Models: RRNL/RRPL	Model: RRRL	"A" Height
B024, B030, B036	B024	35 ¹⁵ / ₁₆ "
B042, B048, B060	B030, B040, B060	41"

SIDE VIEW



SIDE VIEW



Full Perimeter Curb

[] Designates Metric Conversions

Before proceeding with installation, refer to installation instructions packaged with each model, as well as complying with all Federal, State, Provincial, and Local codes, regulations, and practices.

RHEEM
MANUFACTURING
COMPANY
5600 Old Greenwood Road, Fort Smith, Arkansas 72908

"In keeping with its policy of continuous progress and product improvement, Rheem reserves the right to make changes without notice."