



RRPL-B

Parts List
08-February-2014



*This parts list is current as of the above revision date.
See <http://www.rheempartslists.net/92-42800-RRPL-B.pdf> for the current revision.*

Package Gas-Electric

Table of Contents

Model Explanation	Page 3
Parts Numbers	
Panels - Miscellaneous 024-036 (1)	Page 4
Panels - Miscellaneous 024-036 (2)	Page 5
Panels - Miscellaneous 042-060 (3)	Page 6
Panels - Miscellaneous 042-060 (4)	Page 7
Electrical Group	Page 8
Fan Group	Page 9
Blower Group	Page 10
Coil Parts	Page 11
Compressor Group (1)	Page 12
Compressor Group (2)	Page 13
Heat Exchanger-Burner Group	Page 14
Gas Controls	Page 15
Accessories	Page 15
Orifice Selection Chart	Page 16
Drawings/Photographs	
Exploded View	Page 17
Control Access Panel Detail	Page 18
Electrical Control Box	Page 19
Blower Assembly	Page 20
Evaporator Coil Assembly	Page 21
Condenser Coil	Page 22
Compressor and Refrigeration Components	Page 23
Heat Exchanger Assembly	Page 24
Burner Assembly (Inshot - Before Approx F3708)	Page 25
Burner Assembly (One-piece - After Approx F3708)	Page 26
Notes/Disclaimer	Page 27

MODEL NUMBER EXPLANATION

R	R	P	L	-	B	0	3	6	J	K	10	E	A	J	A
(1)	(2)	(3)	(4)		(5)		(6)		(7)	(8)	(9)	(10)		(11)	

- | | |
|--|---|
| <p>(1) TRADENAME IDENTIFICATION</p> <p>(2) PRODUCT CLASSIFICATION
R = ROOFTOP</p> <p>(3) EFFICIENCY DESIGNATION</p> <p>(4) DESIGN SERIES
A = FIRST DESIGN</p> <p>(5) TECHNICAL VARIATIONS</p> <p>(6) COOLING CAPACITY (BTU/HR)
024 = 24,000 042 = 42,000
030 = 30,000 048 = 48,000
036 = 36,000 060 = 60,000</p> <p>(7) ELECTRICAL DESIGNATION
J = 208/230V - 1 PH - 60 HZ
C = 208/230V - 3 PH - 60 HZ
D = 460V - 3 PH - 60 HZ</p> | <p>(8) DRIVE PACKAGE
K = DIRECT DRIVE</p> <p>(9) HEATING CAPACITY - (MBH)
04 = 40,000
06 = 60,000
08 = 80,000
10 = 100,000</p> <p>(10) IGNITION SYSTEM
E = ELECTRIC
X = ELECTRIC WITH NOX</p> <p>(11) OPTION CODES
AJA = STAINLESS STEEL HEAT EXCHANGER
AKA = SIDEFLOW OPTION
BVA = SIDEFLOW W/STAINLESS STEEL HEAT EXCHANGER</p> |
|--|---|

SERIAL NUMBER EXPLANATION (Units Produced before Nov. 2013)

2	G	A	1234	A	D	A	A	F	26	09	9999
(1)	(2)	(3)	(4)	(5)	(6)	(7)	(8)	(9)	(10)	(11)	

- | | |
|---|---|
| <p>(1) GAS CODE</p> <p>(2) BLOWER CONTROL BOARD</p> <p>(3) COMPRESSOR IDENTIFICATION N</p> <p>(4) IGNITION DEVICE</p> <p>(5) INDUCER BLOWER</p> <p>(6) HEAT EXCHANGER</p> | <p>(7) TECHNOLOGY VARIATIONS</p> <p>(8) PLANT</p> <p>(9) WEEK</p> <p>(10) YEAR</p> <p>(11) PRODUCTION NUMBER</p> |
|---|---|

SERIAL NUMBER EXPLANATION (Units Produced after Nov. 2013)

F	0	8	1	3	9	9	9	9
(1)	(2)	(3)		(4)				

- (1) PLANT CODE**
- (2) WEEK (DATE CODE)**
- (3) YEAR**
- (4) PRODUCTION NUMBER**

**Note: For Compressor Identification Number, see Compressor Code on Rating Plate
For Gas Code, see Control System Gas Code on Rating Plate**

No.	Notes	MODEL TECHNICAL VARIATION COOLING CAPACITY	RRPL B 024	RRPL B 030	RRPL B 036
SHEET METAL PARTS, MISCELLANEOUS (Granite/Steel Gray, After Date Code 4411)					
1		Front Base Pan	AS-58628-07H	AS-58628-07H	AS-58628-07H
2		Base Rail (2)	AE-58562-03	AE-58562-03	AE-58562-03
3		Base Rail (2)	AE-58562-04	AE-58562-04	AE-58562-04
4		Back Base Pan	AS-58607-64	AS-58607-64	AS-58607-64
5		Blower Shelf	AS-58630-01	AS-58630-01	AS-58630-01
6		Blower Shelf Transition	AS-58607-19	AS-58607-19	AS-58607-19
7		Divider Panel	AS-58607-03	AS-58607-03	AS-58607-03
8		Bulkhead Assembly	AS-58607-62	AS-58607-62	AS-58607-55
9		Exhaust Hood	AS-58629-01H	AS-58629-01H	AS-58629-01H
10		Combustion Air Inlet Hood	AS-58599-01H	AS-58599-01H	AS-58599-01H
11		Corner Post	AS-58607-40H	AS-58607-40H	AS-58607-40H
12		Blower Access Panel	AS-58607-09H	AS-58607-09H	AS-58607-09H
13		End Panel	AS-58607-04H	AS-58607-04H	AS-58607-04H
14		Supply Cover - Downflow	AS-58607-06H	AS-58607-06H	AS-58607-06H
14		Supply Cover - Side Option AKA, BVA	AS-58607-35H	AS-58607-35H	AS-58607-35H
15		Return Cover - Downflow	AS-58607-05H	AS-58607-05H	AS-58607-05H
15		Return Cover - Side Option AKA, BVA	AS-58607-34H	AS-58607-34H	AS-58607-34H
16		Top Panel	AS-58607-60H	AS-58607-60H	AS-58607-58H
17		Grille	95-100906-08	95-100906-08	95-100906-08
18		Filter Access Panel	AS-58607-08H	AS-58607-08H	AS-58607-08H
19		Condenser Louver Panel	AS-58607-61H	AS-58607-61H	AS-58607-61H
20		Center Post	AS-58569-05H	AS-58569-05H	AS-58569-05H
21		Control Access Panel	AS-58607-20H	AS-58607-20H	AS-58607-20H
22		Control Box (w/o components)	AE-58597-01	AE-58597-01	AE-58597-01
23		Control Box Cover	AE-58598-01	AE-58598-01	AE-58598-01
24		Furnace Shelf	AS-58607-11	AS-58607-11	AS-58607-11
25		Burner Floor	AE-58594-01	AE-58594-01	AE-58594-01
26		Exhaust Transition	AS-58607-36	AS-58607-36	AS-58607-36
27		Bulkhead Valve (2)	61-22369-04	61-22369-04	61-22369-04
28		Bulkhead Valve Locknut (2)	63-22368-01	63-22368-01	63-22368-01
		Bulkhead Valve Cap (2)	83-100635-01	83-100635-01	83-100635-01
		Heat Exchanger Tube Support	AE-58590-01	AE-58590-01	AE-58590-01
		Grommet - Gas Supply Piping	56-22114-01	56-22114-01	56-22114-01

No.	Notes	MODEL TECHNICAL VARIATION COOLING CAPACITY	RRPL B 024	RRPL B 030	RRPL B 036
SHEET METAL PARTS, MISCELLANEOUS (Neutra Green, Before Date Code 4411)					
1		Front Base Pan	AS-58628-07	AS-58628-07	AS-58628-07
2		Base Rail (2)	AE-58562-03	AE-58562-03	AE-58562-03
3		Base Rail (2)	AE-58562-04	AE-58562-04	AE-58562-04
4		Back Base Pan	AS-58607-64	AS-58607-64	AS-58607-64
5		Blower Shelf	AS-58630-01	AS-58630-01	AS-58630-01
6		Blower Shelf Transition	AS-58607-19	AS-58607-19	AS-58607-19
7		Divider Panel	AS-58607-03	AS-58607-03	AS-58607-03
8		Bulkhead Assembly	AS-58607-62	AS-58607-62	AS-58607-55
9		Exhaust Hood	AS-58629-01	AS-58629-01	AS-58629-01
10		Combustion Air Inlet Hood	AE-58599-01	AE-58599-01	AE-58599-01
11		Corner Post	AS-58607-40	AS-58607-40	AS-58607-40
12		Blower Access Panel	AS-58607-09	AS-58607-09	AS-58607-09
13		End Panel	AS-58607-04	AS-58607-04	AS-58607-04
14		Supply Cover - Downflow	AS-58607-06	AS-58607-06	AS-58607-06
14		Supply Cover - Side Option AKA, BVA	AS-58607-35	AS-58607-35	AS-58607-35
15		Return Cover - Downflow	AS-58607-05	AS-58607-05	AS-58607-05
15		Return Cover - Side Option AKA, BVA	AS-58607-34	AS-58607-34	AS-58607-34
16		Top Panel	AS-58607-60	AS-58607-60	AS-58607-58
17		Grille	95-100906-08	95-100906-08	95-100906-08
18		Filter Access Panel	AS-58607-08	AS-58607-08	AS-58607-08
19		Condenser Louver Panel	AS-58607-61	AS-58607-61	AS-58607-61
20		Center Post	AE-58569-05	AE-58569-05	AE-58569-05
21		Control Access Panel	AS-58607-20	AS-58607-20	AS-58607-20
22		Control Box (w/o components)	AE-58597-01	AE-58597-01	AE-58597-01
23		Control Box Cover	AE-58598-01	AE-58598-01	AE-58598-01
24		Furnace Shelf	AS-58607-11	AS-58607-11	AS-58607-11
25		Burner Floor	AE-58594-01	AE-58594-01	AE-58594-01
26		Exhaust Transition	AS-58607-36	AS-58607-36	AS-58607-36
27		Bulkhead Valve (2)	61-22369-04	61-22369-04	61-22369-04
28		Bulkhead Valve Locknut (2)	63-22368-01	63-22368-01	63-22368-01
		Bulkhead Valve Cap (2)	83-100635-01	83-100635-01	83-100635-01
		Heat Exchanger Tube Support	AE-58590-01	AE-58590-01	AE-58590-01
		Grommet - Gas Supply Piping	56-22114-01	56-22114-01	56-22114-01

No.	Notes	MODEL TECHNICAL VARIATION COOLING CAPACITY	RRPL B 042	RRPL B 048	RRPL B 060
SHEET METAL PARTS, MISCELLANEOUS (Granite/Steel Gray, After Date Code 4411)					
1		Front Base Pan	AS-58628-07H	AS-58628-07H	AS-58628-07H
2		Base Rail (2)	AE-58562-03	AE-58562-03	AE-58562-03
3		Base Rail (2)	AE-58562-04	AE-58562-04	AE-58562-04
4		Back Base Pan	AS-58607-64	AS-58607-64	AS-58607-64
5		Blower Shelf	AS-58630-01	AS-58630-01	AS-58630-01
6		Blower Shelf Transition	AS-58607-19	AS-58607-19	AS-58607-19
7		Divider Panel	AS-58607-03	AS-58607-03	AS-58607-03
8		Bulkhead Assembly	AS-58607-57	AS-58607-57	AS-58607-57
9		Exhaust Hood	AS-58629-01H	AS-58629-01H	AS-58629-01H
10		Combustion Air Inlet Hood	AS-58599-01H	AS-58599-01H	AS-58599-01H
11		Corner Post	AS-58607-46H	AS-58607-46H	AS-58607-46H
12		Blower Access Panel	AS-58607-47H	AS-58607-47H	AS-58607-47H
13		End Panel	AS-58607-48H	AS-58607-48H	AS-58607-48H
14		Supply Cover - Downflow	AS-58607-06H	AS-58607-06H	AS-58607-06H
14		Supply Cover - Side Option AKA, BVA	AS-58607-35H	AS-58607-35H	AS-58607-35H
15		Return Cover - Downflow	AS-58607-05H	AS-58607-05H	AS-58607-05H
15		Return Cover - Side Option AKA, BVA	AS-58607-34H	AS-58607-34H	AS-58607-34H
16		Top Panel	AS-58607-54H	AS-58607-54H	AS-58607-54H
17		Grille	95-100906-08	95-100906-08	95-100906-08
18		Filter Access Panel	AS-58607-49H	AS-58607-49H	AS-58607-49H
19		Condenser Louver Panel	AS-58607-56H	AS-58607-56H	AS-58607-56H
20		Center Post	AS-58569-07H	AS-58569-07H	AS-58569-07H
21		Control Access Panel	AS-58607-50H	AS-58607-50H	AS-58607-50H
22		Control Box (w/o components)	AE-58597-01	AE-58597-01	AE-58597-01
23		Control Box Cover	AE-58598-01	AE-58598-01	AE-58598-01
24		Furnace Shelf	AS-58607-11	AS-58607-11	AS-58607-11
25		Burner Floor	AE-58594-01	AE-58594-01	AE-58594-01
26		Exhaust Transition	AS-58607-36	AS-58607-36	AS-58607-36
27		Bulkhead Valve (2)	61-22369-04	61-22369-04	61-22369-04
28		Bulkhead Valve Locknut (2)	63-22368-01	63-22368-01	63-22368-01
		Bulkhead Valve Cap (2)	83-100635-01	83-100635-01	83-100635-01
		Heat Exchanger Tube Support	AE-58590-01	AE-58590-01	AE-58590-01
		Grommet - Gas Supply Piping	56-22114-01	56-22114-01	56-22114-01

No.	Notes	MODEL TECHNICAL VARIATION COOLING CAPACITY	RRPL B 042	RRPL B 048	RRPL B 060
SHEET METAL PARTS, MISCELLANEOUS (Neutra Green, Before Date Code 4411)					
1		Front Base Pan	AS-58628-07	AS-58628-07	AS-58628-07
2		Base Rail (2)	AE-58562-03	AE-58562-03	AE-58562-03
3		Base Rail (2)	AE-58562-04	AE-58562-04	AE-58562-04
4		Back Base Pan	AS-58607-64	AS-58607-64	AS-58607-64
5		Blower Shelf	AS-58630-01	AS-58630-01	AS-58630-01
6		Blower Shelf Transition	AS-58607-19	AS-58607-19	AS-58607-19
7		Divider Panel	AS-58607-03	AS-58607-03	AS-58607-03
8		Bulkhead Assembly	AS-58607-57	AS-58607-57	AS-58607-57
9		Exhaust Hood	AS-58629-01	AS-58629-01	AS-58629-01
10		Combustion Air Inlet Hood	AE-58599-01	AE-58599-01	AE-58599-01
11		Corner Post	AS-58607-46	AS-58607-46	AS-58607-46
12		Blower Access Panel	AS-58607-47	AS-58607-47	AS-58607-47
13		End Panel	AS-58607-48	AS-58607-48	AS-58607-48
14		Supply Cover - Downflow	AS-58607-06	AS-58607-06	AS-58607-06
14		Supply Cover - Side Option AKA, BVA	AS-58607-35	AS-58607-35	AS-58607-35
15		Return Cover - Downflow	AS-58607-05	AS-58607-05	AS-58607-05
15		Return Cover - Side Option AKA, BVA	AS-58607-34	AS-58607-34	AS-58607-34
16		Top Panel	AS-58607-54	AS-58607-54	AS-58607-54
17		Grille	95-100906-08	95-100906-08	95-100906-08
18		Filter Access Panel	AS-58607-49	AS-58607-49	AS-58607-49
19		Condenser Louver Panel	AS-58607-56	AS-58607-56	AS-58607-56
20		Center Post	AE-58569-07	AE-58569-07	AE-58569-07
21		Control Access Panel	AS-58607-50	AS-58607-50	AS-58607-50
22		Control Box (w/o components)	AE-58597-01	AE-58597-01	AE-58597-01
23		Control Box Cover	AE-58598-01	AE-58598-01	AE-58598-01
24		Furnace Shelf	AS-58607-11	AS-58607-11	AS-58607-11
25		Burner Floor	AE-58594-01	AE-58594-01	AE-58594-01
26		Exhaust Transition	AS-58607-36	AS-58607-36	AS-58607-36
27		Bulkhead Valve (2)	61-22369-04	61-22369-04	61-22369-04
28		Bulkhead Valve Locknut (2)	63-22368-01	63-22368-01	63-22368-01
		Bulkhead Valve Cap (2)	83-100635-01	83-100635-01	83-100635-01
		Heat Exchanger Tube Support	AE-58590-01	AE-58590-01	AE-58590-01
		Grommet - Gas Supply Piping	56-22114-01	56-22114-01	56-22114-01

No.	Notes	MODEL TECHNICAL VARIATION COOLING CAPACITY ELECTRICAL DESIGNATION	RRPL	RRPL	RRPL	RRPL	RRPL	
			B 024 J	B 030 J	B 036 J	B 042 J	B 048 J	
ELECTRICAL GROUP								
31	Stk	Induced Draft Blower w/Gasket	70-23641-01	70-23641-01	70-23641-01	70-23641-01	70-23641-01	
33	Stk	Contactora	42-42728-03	42-42728-03	42-42728-03	42-42728-03	42-42728-03	
34	Stk	Pressure Switch	42-24335-20	42-24335-20	42-24335-20	42-24335-20	42-24335-20	
35	Stk	Transformer	46-18788-07	46-18788-07	46-18788-07	46-18788-07	46-18788-07	
36		Ground Lug	45-19000-01	45-19000-01	45-19000-01	45-19000-01	45-19000-01	
39		Integrated Furnace Control Board (IFC)	See Gas Controls					
57	Stk	Blower Relay	42-101208-02	42-101208-02	42-101208-02	42-101208-02	42-101208-02	
73		Capacitor - Compressor/Fan	See Compressor Group					
84		Limit Control - Blower Shelf	See Heat Exchanger-Burner Group					
88		Limit Control - Roll Out	See Heat Exchanger-Burner Group					
		Compressor Wiring Harness (Molded Plug)	See Compressor Group					
		Wiring Harness - 9 pin to 9 insulated terminals	AS-102393-02	AS-102393-02	AS-102393-02	AS-102393-02	AS-102393-02	
		Leadwire - from Flame Sensor to 9 pin Wiring Harness Plug	45-25323-02	45-25323-02	45-25323-02	45-25323-02	45-25323-02	
		Capacitor Adaptor Plate (2 in. round capacitor)	AE-54609-01	AE-54609-01	AE-54609-01	AE-54609-01	AE-54609-01	
		Capacitor Adaptor Plate (2 in. X 1-1/4 in. oval capacitor)	AE-54609-02	AE-54609-02	AE-54609-02	AE-54609-02	AE-54609-02	

No.	Notes	MODEL TECHNICAL VARIATION COOLING CAPACITY ELECTRICAL DESIGNATION	RRPL	RRPL	RRPL	RRPL	RRPL	
			B 036 C	B 036 D	B 042 C	B 048 C	B 048 D	
ELECTRICAL GROUP								
31	Stk	Induced Draft Blower w/Gasket	70-23641-01	70-23641-02	70-23641-01	70-23641-01	70-23641-02	
33	Stk	Contactora	42-22464-01	42-22464-01	42-22464-01	42-22464-01	42-22464-01	
34	Stk	Pressure Switch	42-24335-20	42-24335-20	42-24335-20	42-24335-20	42-24335-20	
35	Stk	Transformer	46-18788-07	46-102027-01	46-18788-07	46-18788-07	46-102027-01	
36		Ground Lug	45-19000-01	45-19000-01	45-19000-01	45-19000-01	45-19000-01	
39		Integrated Furnace Control Board (IFC)	See Gas Controls					
57	Stk	Blower Relay	42-101208-02	42-21571-08	42-101208-02	42-101208-02	42-21571-08	
73		Capacitor - Compressor/Fan	See Compressor Group					
84		Limit Control - Blower Shelf	See Heat Exchanger-Burner Group					
88		Limit Control - Roll Out	See Heat Exchanger-Burner Group					
		Compressor Wiring Harness (Molded Plug)	See Compressor Group					
		Capacitor Adapter Plate	AE-54609-02	AE-54609-02	AE-54609-02	AE-54609-02	AE-54609-02	
		Wiring Harness - 9 pin to 9 insulated terminals	AS-102393-02	AS-102393-02	AS-102393-02	AS-102393-02	AS-102393-02	
		Leadwire - from Flame Sensor to 9 pin Wiring Harness Plug	45-25323-02	45-25323-02	45-25323-02	45-25323-02	45-25323-02	
		Capacitor Adaptor Plate (2 in. round capacitor)	AE-54609-01	AE-54609-01	AE-54609-01	AE-54609-01	AE-54609-01	
		Capacitor Adaptor Plate (2 in. X 1-1/4 in. oval capacitor)	AE-54609-02	AE-54609-02	AE-54609-02	AE-54609-02	AE-54609-02	

No.	Notes	MODEL TECHNICAL VARIATION COOLING CAPACITY ELECTRICAL DESIGNATION	RRPL	RRPL	RRPL			
			B 060 C	B 060 D	B 060 J			
ELECTRICAL GROUP								
31	Stk	Induced Draft Blower w/Gasket	70-23641-01	70-23641-02	70-23641-01			
32	Stk	Comfort Alert Module	42-101504-03	42-101504-03	42-101504-02			
33	Stk	Contactora	42-22464-01	42-102664-08	42-42728-03			
34	Stk	Pressure Switch	42-24335-20	42-24335-20	42-24335-20			
35	Stk	Transformer	46-18788-07	46-102027-01	46-18788-07			
36		Ground Lug	45-19000-01	45-19000-01	45-19000-01			
39		Integrated Furnace Control Board (IFC)	See Gas Controls					
57	Stk	Blower Relay	42-101208-02	42-21571-08	42-101208-02			
73		Capacitor - Compressor/Fan	See Compressor Group					
84		Limit Control - Blower Shelf	See Heat Exchanger-Burner Group					
88		Limit Control - Roll Out	See Heat Exchanger-Burner Group					
		Compressor Wiring Harness (Molded Plug)	See Compressor Group					
		Capacitor Adapter Plate	AE-54609-02	AE-54609-02	AE-54609-02			
		Wiring Harness - 9 pin to 9 insulated terminals	AS-102393-02	AS-102393-02	AS-102393-02			
		Leadwire - from Flame Sensor to 9 pin Wiring Harness Plug	45-25323-02	45-25323-02	45-25323-02			
		Capacitor Adaptor Plate (2 in. round capacitor)	AE-54609-01	AE-54609-01	AE-54609-01			
		Capacitor Adaptor Plate (2 in. X 1-1/4 in. oval capacitor)	AE-54609-02	AE-54609-02	AE-54609-02			

No.	Notes	MODEL TECHNICAL VARIATION COOLING CAPACITY ELECTRICAL DESIGNATION	RRPL	RRPL	RRPL	RRPL	RRPL	RRPL
			B 024 J	B 030 J	B 036 J	B 042 J	B 048 J	B 060 J
FAN GROUP								
Note: 024, 030, and 036 units produced before October 2006 may have been produced with a different motor, capacitor, and fan blade combination than shown below. If replacing any of these components on older units, all three components must be changed in accordance with those listed below. Failure to do so may affect motor reliability and increase fan noise.								
37	Stk	Fan Motor	51-100998-24	51-100998-24	51-100998-24	51-100998-19	51-100998-19	51-100998-19
38	Stk	Fan Blade	70-101323-19	70-101323-19	70-101323-19	70-23594-02	70-23594-02	70-23594-02
73		Capacitor - Fan Motor	See Compressor Group					

No.	Notes	MODEL TECHNICAL VARIATION COOLING CAPACITY ELECTRICAL DESIGNATION	RRPL	RRPL	RRPL	RRPL		
			B 036 C	B 042 C	B 048 C	B 060 C		
FAN GROUP								
37	Stk	Fan Motor	51-100998-24	51-100998-19	51-100998-19	51-100998-19		
38	Stk	Fan Blade	70-101323-19	70-23594-02	70-23594-02	70-23594-02		
73	Stk	Capacitor - Fan Motor	43-100496-04	43-100496-12	43-100496-12	43-100496-12		

No.	Notes	MODEL TECHNICAL VARIATION COOLING CAPACITY ELECTRICAL DESIGNATION	RRPL	RRPL	RRPL			
			B 036 D	B 048 D	B 060 D			
FAN GROUP								
37	Stk	Fan Motor	51-100998-26	51-100998-20	51-100998-20			
38	Stk	Fan Blade	70-101323-19	70-23594-02	70-23594-02			
73	Stk	Capacitor - Fan Motor	43-100496-04	43-100496-39	43-100496-39			

No.	Notes	MODEL TECHNICAL VARIATION COOLING CAPACITY ELECTRICAL DESIGNATION	RRPL	RRPL	RRPL	RRPL	RRPL	
			B 024 J	B 030 J	B 036 J	B 042 J	B 048 J	
BLOWER GROUP								
	Stk	Blower Assembly (Includes items 51-56)	AS-58662-24	AS-58662-25	AS-58662-26	AS-58662-27	AS-58662-28	
51		Housing	AS-58619-01	AS-58619-02	AS-58619-02	AS-58619-02	AS-58619-02	
52	Stk	Blower Wheel	70-20218-01	70-18625-03	70-18625-03	70-18625-03	70-18625-03	
53		Cut-Off	AE-64401-10	AE-64401-06	AE-64401-06	AE-64401-06	AE-64401-06	
54	Stk	Blower Motor - X-13	51-101879-03	51-101880-04	51-101880-05	51-101880-06	51-101920-05	
		Motor Mounting Bracket Assembly (includes 55, 56)	AS-53148-03	N/A	N/A	N/A	N/A	
55		Motor Band	70-19927-01	70-19927-03	70-19927-03	70-19927-03	70-19927-03	
56		Motor Arm Assembly (3)	70-19929-02	70-19929-09	70-19929-09	70-19929-09	70-19929-09	
57		Blower Relay	See Electrical Group					
5		Resistor/Wire Assembly (Before F2608) - See Note 5	44-102333-01	44-102333-01	44-102333-01	44-102333-01	44-102333-01	

No.	Notes	MODEL TECHNICAL VARIATION COOLING CAPACITY ELECTRICAL DESIGNATION	RRPL	RRPL	RRPL	RRPL	RRPL	
			B 036 C	B 036 D	B 042 C	B 048 C	B 048 D	
BLOWER GROUP								
	Stk	Blower Assembly (Includes items 51-56)	AS-58662-26	AS-58662-52	AS-58662-27	AS-58662-28	AS-58662-53	
51		Housing	AS-58619-02	AS-58619-02	AS-58619-02	AS-58619-02	AS-58619-02	
52	Stk	Blower Wheel	70-18625-03	70-18625-03	70-18625-03	70-18625-03	70-18625-03	
53		Cut-Off	AE-64401-06	AE-64401-06	AE-64401-06	AE-64401-06	AE-64401-06	
54	Stk	Blower Motor - X-13	51-101880-05	51-103623-03	51-101880-06	51-101920-05	51-103253-06	
55		Motor Band	70-19927-03	70-19927-03	70-19927-03	70-19927-03	70-19927-03	
56		Motor Arm Assembly	70-19929-09	70-19929-09	70-19929-09	70-19929-09	70-19929-09	
57		Blower Relay	See Electrical Group					
5		Resistor/Wire Assembly (Before F2608) - See Note 5	44-102333-01	N/A	44-102333-01	44-102333-01	N/A	

No.	Notes	MODEL TECHNICAL VARIATION COOLING CAPACITY ELECTRICAL DESIGNATION	RRPL	RRPL	RRPL			
			B 060 C	B 060 D	B 060 J			
BLOWER GROUP								
	Stk	Blower Assembly (Includes items 51-56)	AS-58662-20	AS-58662-54	AS-58662-20			
51		Housing w/Wheel	70-100840-02	70-100840-02	70-100840-02			
51a		Transition	AE-102207-05	AE-102207-05	AE-102207-05			
51b		Transition - Back	AE-102207-06	AE-102207-06	AE-102207-06			
52	Stk	Blower Wheel	703016	703016	703016			
53		Cut-Off	N/A	N/A	N/A			
54	Stk	Blower Motor - X-13	51-101984-03	51-103624-05	51-101984-03			
55		Motor Band	70-19927-03	70-19927-03	70-19927-03			
56		Motor Arm Assembly	70-19929-09	70-19929-09	70-19929-09			
57		Blower Relay	See Electrical Group					
5		Resistor/Wire Assembly (Before F2608) - See Note 5	44-102333-01	N/A	44-102333-01			

No.	Notes	MODEL TECHNICAL VARIATION COOLING CAPACITY ELECTRICAL DESIGNATION	RRPL	RRPL	RRPL	RRPL	RRPL
			B 024 J	B 030 J	B 036 C	B 036 D	B 036 J
COIL GROUP							
CONDENSER COIL:							
61	Stk	Condenser Coil	AS-101997-03	AS-101997-03	AS-101993-03	AS-101993-03	AS-101993-03
		Distributor - (Two way - 3/8 in. to 3/8 in.)	83-17467-02	83-17467-02	83-17467-02	83-17467-02	83-17467-02
		Access Valve Body (2)	61-18542-01	61-18542-01	61-18542-01	61-18542-01	61-18542-01
		Access Valve Core (2)	61-18551-01	61-18551-01	61-18551-01	61-18551-01	61-18551-01
78	Stk	Filter Drier - Liquid Line	83-22755-05	83-22755-05	83-22755-05	83-22755-05	83-22755-05
EVAPORATOR COIL:							
62	Stk	Evaporator Coil w/Drain Pan	AS-102660-04	AS-102660-04	AS-102660-03	AS-102660-03	AS-102660-03
62	Stk	Evaporator Coil w/Drain Pan (Tin Plated)	AS-104668-04	AS-104668-04	AS-104668-03	AS-104668-03	AS-104668-03
63		Drain Pan Grommet	56-23601-01	56-23601-01	56-23601-01	56-23601-01	56-23601-01
64	Stk	Drain Pan - Before F4507	AS-58607-32	AS-58607-32	AS-58607-32	N/A	AS-58607-32
64	Stk	Drain Pan - After F4507	68-23602-02	68-23602-02	68-23602-02	68-23602-02	68-23602-02
64a		Drain Trap (Attached to Drain Pan)	68-23603-01	68-23603-01	68-23603-01	68-23603-01	68-23603-01
65		Auxiliary Drain Pipe	AE-58611-01	AE-58611-01	AE-58611-01	AE-58611-01	AE-58611-01
66	Stk	Flowcheck Distributor/Piston Assembly	61-102106-12	61-102106-12	61-102106-14	61-102106-14	61-102106-14
67	Stk	TXV	61-102211-01	61-102211-02	61-102211-02	61-102211-02	61-102211-02
68		Condensate Shield	AE-101751-01	AE-101751-01	AE-101751-01	AE-101751-01	AE-101751-01
68a		Condensate Barrier	AE-100544-01	AE-100544-01	AE-100544-01	AE-100544-01	AE-100544-01

No.	Notes	MODEL TECHNICAL VARIATION COOLING CAPACITY ELECTRICAL DESIGNATION	RRPL	RRPL	RRPL	RRPL	RRPL
			B 042 C	B 042 J	B 048 C	B 048 D	B 048 J
COIL GROUP							
CONDENSER COIL:							
61	Stk	Condenser Coil	AS-101994-03	AS-101994-03	AS-101996-01	AS-101996-01	AS-101996-01
		Distributor - (Two way - 3/8 in. to 3/8 in.)	N/A	N/A	83-17467-02	83-17467-02	83-17467-02
		Access Valve Body (2)	61-18542-01	61-18542-01	61-18542-01	61-18542-01	61-18542-01
		Access Valve Core (2)	61-18551-01	61-18551-01	61-18551-01	61-18551-01	61-18551-01
78	Stk	Filter Drier - Liquid Line	83-22755-05	83-22755-05	83-22755-05	83-22755-05	83-22755-05
EVAPORATOR COIL:							
62	Stk	Evaporator Coil w/Drain Pan	AS-102660-02	AS-102660-02	AS-102660-01	AS-102660-01	AS-102660-01
62	Stk	Evaporator Coil w/Drain Pan (Tin Plated)	AS-104668-02	AS-104668-02	AS-104668-01	AS-104668-01	AS-104668-01
63		Drain Pan Grommet	56-23601-01	56-23601-01	56-23601-01	56-23601-01	56-23601-01
64	Stk	Drain Pan - Before F4507	AS-58607-32	AS-58607-32	AS-58607-32	N/A	AS-58607-32
64	Stk	Drain Pan - After F4507	68-23602-02	68-23602-02	68-23602-02	68-23602-02	68-23602-02
64a		Drain Trap (Attached to Drain Pan)	68-23603-01	68-23603-01	68-23603-01	68-23603-01	68-23603-01
65		Auxiliary Drain Pipe	AE-58611-01	AE-58611-01	AE-58611-01	AE-58611-01	AE-58611-01
66	Stk	Flowcheck Distributor/Piston Assembly	61-102108-14	61-102108-14	61-102108-17	61-102108-17	61-102108-17
67	Stk	TXV	61-102211-03	61-102211-03	61-102211-04	61-102211-04	61-102211-04
68		Condensate Shield	AE-101751-02	AE-101751-02	AE-101751-02	AE-101751-02	AE-101751-02
68a		Condensate Barrier	AE-100544-02	AE-100544-02	AE-100544-02	AE-100544-02	AE-100544-02

No.	Notes	MODEL TECHNICAL VARIATION COOLING CAPACITY ELECTRICAL DESIGNATION	RRPL	RRPL	RRPL		
			B 060 C	B 060 D	B 060 J		
COIL GROUP							
CONDENSER COIL:							
61	Stk	Condenser Coil	AS-101996-01	AS-101996-01	AS-101996-01		
		Distributor - (Two way - 3/8 in. to 3/8 in.)	83-17467-02	83-17467-02	83-17467-02		
		Access Valve Body (2)	61-18542-01	61-18542-01	61-18542-01		
		Access Valve Core (2)	61-18551-01	61-18551-01	61-18551-01		
76	Stk	High Pressure Control	47-102290-01	47-102290-01	47-102290-01		
77	Stk,4	Low Pressure Control - See Note 4	47-101529-09	47-101529-09	47-101529-09		
78	Stk	Filter Drier - Liquid Line	83-22755-05	83-22755-05	83-22755-05		
EVAPORATOR COIL:							
62	Stk	Evaporator Coil w/Drain Pan	AS-102660-01	AS-102660-01	AS-102660-01		
62	Stk	Evaporator Coil w/Drain Pan (Tin Plated)	AS-104668-01	AS-104668-01	AS-104668-01		
63		Drain Pan Grommet	56-23601-01	56-23601-01	56-23601-01		
64	Stk	Drain Pan - Before F4507	AS-58607-32	N/A	AS-58607-32		
64	Stk	Drain Pan - After F4507	68-23602-02	68-23602-02	68-23602-02		
64a		Drain Trap (Attached to Drain Pan)	68-23603-01	68-23603-01	68-23603-01		
65		Auxiliary Drain Pipe	AE-58611-01	AE-58611-01	AE-58611-01		
66	Stk	Flowcheck Distributor/Piston Assembly	61-102108-17	61-102108-17	61-102108-17		
67	Stk	TXV	61-102211-05	61-102211-05	61-102211-05		
68		Condensate Shield	AE-101751-02	AE-101751-02	AE-101751-02		
68a		Condensate Barrier	AE-100544-02	AE-100544-02	AE-100544-02		

No.	Notes	MODEL TECHNICAL VARIATION COOLING CAPACITY ELECTRICAL DESIGNATION	RRPL B 024 J	RRPL B 030 J	RRPL B 036 J	RRPL B 042 J	RRPL B 048 J	RRPL B 060 J
COMPRESSOR GROUP								
		Compressor ID:	7436	7437	7439	7441	7443	7445
71	Stk	Compressor	55-102045-01S	55-102045-02S	55-102045-03S	55-102045-12S	55-102045-09S	55-23156-11S
72		Grommet (4)	56-18518-16	56-18518-16	56-18518-16	56-18518-06	56-18518-06	56-18518-06
73	Stk	Capacitor - Compressor/Fan	43-26271-09	43-26271-09	43-26271-41	43-101665-42	43-101662-47	43-101665-30
74	Stk	Start Capacitor	N/A	N/A	N/A	N/A	N/A	43-17075-04
75	Stk	Start Relay	N/A	N/A	N/A	N/A	N/A	42-18282-26
76		High Pressure Control	N/A	N/A	N/A	N/A	N/A	See Coil Group
77		Low Pressure Control	N/A	N/A	N/A	N/A	N/A	
	Stk	Compressor Wiring Harness (Low Voltage - Molded Plug)	N/A	N/A	N/A	N/A	N/A	45-101723-01
	Stk	Compressor Wiring Harness (Molded Plug)	45-100834-80	45-100834-80	45-100834-80	45-100834-80	45-100834-80	45-100834-80
		Compressor ID:						8683
71	Stk	Compressor						55-23156-38S
72		Grommet (4)						56-18518-06
73	Stk	Capacitor - Compressor/Fan						43-101665-36
74	Stk	Start Capacitor						43-17075-04
75	Stk	Start Relay						42-18282-26
76		High Pressure Control						See Coil Group
77		Low Pressure Control						
	Stk	Compressor Wiring Harness (Low Voltage - Molded Plug)						45-101723-01
	Stk	Compressor Wiring Harness (Molded Plug)						45-100834-80

No.	Notes	MODEL TECHNICAL VARIATION COOLING CAPACITY ELECTRICAL DESIGNATION	RRPL B 036 C	RRPL B 042 C	RRPL B 048 C	RRPL B 060 C
COMPRESSOR GROUP						
		Compressor ID:	7438	7440	7442	7444
71	Stk	Compressor	55-102045-05S	55-102045-16S	55-102045-11S	55-23156-13S
72		Grommet (4)	56-18518-16	56-18518-06	56-18518-06	56-18518-06
73	Stk	Capacitor - Compressor/Fan	See Fan Group			
76		High Pressure Control	N/A	N/A	N/A	See Coil Group
77		Low Pressure Control	N/A	N/A	N/A	
	Stk	Compressor Wiring Harness (Low Voltage - Molded Plug)	N/A	N/A	N/A	45-101723-01
	Stk	Compressor Wiring Harness (Molded Plug)	45-100834-80	45-100834-80	45-100834-80	45-100834-80
		Compressor ID:				8720
71	Stk	Compressor				55-23156-41S
72		Grommet (4)				56-18518-06
73	Stk	Capacitor - Compressor/Fan	See Fan Group			
76		High Pressure Control				See Coil Group
77		Low Pressure Control				
	Stk	Compressor Wiring Harness (Low Voltage - Molded Plug)				45-101723-01
	Stk	Compressor Wiring Harness (Molded Plug)				45-100834-80

No.	Notes	MODEL TECHNICAL VARIATION COOLING CAPACITY ELECTRICAL DESIGNATION		RRPL B 036 D	RRPL B 048 D	RRPL B 060 D
COMPRESSOR GROUP						
		Compressor ID:		8358	8359	8360
71	Stk	Compressor		55-102045-04S	55-102045-10S	55-23156-33S
72		Grommet (4)		56-18518-16	56-18518-06	56-18518-06
73	Stk	Capacitor - Compressor/Fan	See Fan Group			
76		High Pressure Control		N/A	N/A	See Coil Group
77		Low Pressure Control		N/A	N/A	
	Stk	Compressor Wiring Harness (Low Voltage - Molded Plug)		N/A	N/A	45-101723-01
	Stk	Compressor Wiring Harness (Molded Plug)		45-100834-80	45-100834-80	45-100834-80
		Compressor ID:				8722
71	Stk	Compressor				55-23156-42S
72		Grommet (4)				56-18518-06
73	Stk	Capacitor - Compressor/Fan	See Fan Group			
76		High Pressure Control				See Coil Group
77		Low Pressure Control				
	Stk	Compressor Wiring Harness (Low Voltage - Molded Plug)				45-101723-01
	Stk	Compressor Wiring Harness (Molded Plug)				45-100834-80

No.	Notes	MODEL TECHNICAL VARIATION HEATING CAPACITY	RRPL	RRPL	RRPL	RRPL
			B 04	B 06	B 08	B 10
HEAT EXCHANGER, BURNER / MANIFOLD						
81	Stk	Heat Exchanger (Includes Center Panel and Turbulators)	AS-58632-01	AS-58632-02	AS-58632-03	AS-58632-04
82		Turbulators	AE-58591-02 (2)	AE-58591-02 (3)	AE-58591-02 (4)	AE-58591-02 (5)
83		Collector Box	AE-58588-01	AE-58588-01	AE-58588-01	AE-58588-01
		Collector Box Gasket	68-23644-01	68-23644-01	68-23644-01	68-23644-01
84	Stk	Limit Control - Blower Shelf	47-23610-11 (All)	47-23610-05 (024)	47-23610-03 (All)	47-23610-03 (060)
84	Stk	Limit Control - Blower Shelf		47-23610-03 (030-048)		47-23610-01 (030-048)
85		NOX Insert Assembly	75-23684-01 (2)	75-23684-01 (3)	75-23684-01 (4)	75-23684-01 (5)
86		Lower Burner Shield (NOX)	AE-59148-01	AE-59148-01	AE-59148-01	AE-59148-01
87		Radiation Shield	AE-58595-01	AE-58595-01	AE-58595-01	AE-58595-01
88	Stk,3	Limit - Manual Reset (Burner Compartment) - Before approximate Date Code F3708 (See Note 3)	47-100241-01	47-100241-01	47-100241-01	47-100241-01
88	Stk,3	Limit - Manual Reset (Burner Compartment) - After approximate Date Code F3708 (See Note 3)	47-22861-02	47-22861-02	47-22861-02	47-22861-02
89	Stk,3	Burner Tube w/Shield (Inshot) - Before approximate Date Code F3708 (See Note 3)	75-22840-02 (2)	75-22840-02 (3)	75-22840-02 (4)	75-22840-02 (5)
89	Stk,3	Burner Assembly (One-piece) - After approximate Date Code F3708 (See Note 3)	AS-60993-02	AS-60993-03	AS-60993-04	AS-60993-05
90	3	Burner Support Bracket (2) - Before approximate Date Code F3708 (See Note 3)	AE-61588-01	AE-61588-01	AE-61588-01	AE-61588-01
90	3	Burner Support Bracket (2) - After approximate Date Code F3708 (See Note 3)	AE-61588-02	AE-61588-02	AE-61588-02	AE-61588-02
91	3	Burner Support - (Holds Burners between Burner Support Brackets) - Before approximate Date Code F3708 (See Note 3)	AE-58592-02	AE-58592-02	AE-58592-02	AE-58592-02
91	3	Burner Support - (Holds Burners between Burner Support Brackets) - After approximate Date Code F3708 (See Note 3)	AE-102438-01	AE-102438-01	AE-102438-01	AE-102438-01
97	3	Bushing - After approximate Date Code F3708 (See Note 3)	45-42519-01	45-42519-01	45-42519-01	45-42519-01
	Stk,2,3	One-piece Burner Retrofit Kit - See Note 2	AS-60993-82	AS-60993-83	AS-60993-84	AS-60993-85
92		Manifold Assembly	81-101154-01	81-101154-01	81-101154-01	81-101154-01
94		Square Head Plug (Used on Manifold to plug extra holes)	81-23593-01 (3)	81-23593-01 (2)	81-23593-01 (1)	N/A
93		Burner Orifice - Natural Gas	See Orifice Selection Chart			
93		Burner Orifice - LP	See Orifice Selection Chart			
93		Number of Orifices	(2)	(3)	(4)	(5)
95	Stk	Flame Sensor	62-23543-02	62-23543-02	62-23543-02	62-23543-02
96	Stk	Ignition Electrode/Cable Assembly	62-23556-01	62-23556-01	62-23556-01	62-23556-01

No.	Notes	MODEL TECHNICAL VARIATION GAS CODE	RRPL B 1R	RRPL B 1S	RRPL B 1X	RRPL B 2A	RRPL B 2G
GAS CONTROLS							
39	Stk	Integrated Furnace Control Board (IFC)	62-23599-02	62-23599-02	62-23599-02	62-23599-02	62-23599-04
	Stk	Gas Valve - Natural Gas	60-22447-07	60-23490-03	60-23490-01	60-24290-01	60-100394-02
	Stk,1	Gas Valve - LP	See Note 1	See Note 1	See Note 1	See Note 1	See Note 1
	Stk	LP Conversion Kit	EP-85H	EP-84W	EP-84W	EP-84W	EP-85H

No.	Notes	MODEL VARIATIONS	RRPL ALL				
OPTIONS AND ACCESSORIES							
		Economizer - Downflow, 3 Position	RXRE-CAA30				
		Economizer - Downflow, Fully Modulating	RXRD-CAM10				
		Economizer - Horizontal, 3 Position	RXRE-CCA30				
		Economizer - Horizontal, Fully Modulating	RXRD-CCM10				
		Fresh Air Damper - Fixed, 35%	RXRF-FAA1				
		Fresh Air Damper - Motorized, 35%	RXRF-FAB1				
		Low Ambient Control	RXRZ-B01				
		High Pressure Control	RXAB-E01				
		Low Pressure Control	RXAC-C01				

PACKAGE EQUIPMENT - ORIFICE SELECTION CHART - NATURAL GAS

CAUTION: Selection of the correct Natural Gas Orifice requires the following information for the specific installation:

- 1) Furnace Input Rating (BTU/HR)
- 2) Number of Burners
- 2) Altitude (ft.)

For detailed information and instructions for Orifice selection, see the Gas Furnace LP Conversion Kit Index 92-21519-47 and the latest edition of the National Fuel Gas Code Handbook, or the National Standard of Canada, Natural Gas and Propane Installation Code, CAN B149.1.

CAUTION: This information is provided for replacement purposes only. Conversion for operation at High Altitude must be done using the kit specified on the product specification sheet for the unit.

NOTE: This Orifice sizing chart is based on a Natural Gas heating value of 1075 BTU/cu. ft and a pressure setting of 3.5 in. water column.

NOTE: Factory installed orifices are calculated and sized based on a Natural Gas heating value of 1075 BTU/cu. ft. and an elevation of 0 - 2000 ft.

Furnace Input Rating (BTU/HR)	Canadian High Altitude Derated Input (BTU/HR)	Number of Burners	Elevation (ft.)					
			Country					
			0 - 2000 U.S.	2001 - 4000 U.S.	4001 - 6000 U.S.	8000+ U.S.	0 - 2000 Canada	2001 - 4500 Canada
40,000	36,000	2	62-22175-45	62-22175-47	62-22175-48	62-22175-49	62-22175-45	62-22175-15
60,000	54,000	3	62-22175-45	62-22175-47	62-22175-48	62-22175-49	62-22175-45	62-22175-15
72,000	N/A	4	62-22175-15	62-22175-49	62-22175-50	62-22175-51	62-22175-15	N/A
80,000	72,000	4	62-22175-45	62-22175-47	62-22175-48	62-22175-49	62-22175-45	62-22175-15
90,000	N/A	5	62-22175-15	62-22175-49	62-22175-50	62-22175-51	62-22175-15	N/A
100,000	90,000	5	62-22175-45	62-22175-47	62-22175-48	62-22175-49	62-22175-45	62-22175-15
120,000	108,000	6	62-22175-45	62-22175-47	62-22175-48	62-22175-49	62-22175-45	62-22175-15
135,000	121,500	6	62-22175-44	62-22175-45	62-22175-47	62-22175-48	62-22175-44	62-22175-45
150,000	135,000	6	62-22175-42	62-22175-43	62-22175-44	62-22175-45	62-22175-42	62-22175-44
180,000	N/A	9	62-22175-45	62-22175-47	62-22175-48	62-22175-49	62-22175-45	N/A
210,000	N/A	9	62-22175-43	62-22175-44	62-22175-45	62-22175-47	62-22175-43	N/A
210,000	N/A	10	62-22175-45	62-22175-47	62-22175-48	62-22175-49	62-22175-45	N/A
225,000	202,500	9	62-22175-42	62-22175-43	62-22175-44	62-22175-45	62-22175-42	62-22175-44
250,000	225,000	10	62-22175-42	62-22175-43	62-22175-44	62-22175-45	62-22175-42	62-22175-44
252,000	225,000	9	62-22175-40	62-22175-42	62-22175-43	62-22175-44	62-22175-40	62-22175-42
252,000	N/A	12	62-22175-45	62-22175-47	62-22175-48	62-22175-49	62-22175-45	N/A
290,000	N/A	14	62-22175-45	62-22175-47	62-22175-48	62-22175-49	62-22175-45	N/A
300,000	270,000	12	62-22175-42	62-22175-43	62-22175-44	62-22175-45	62-22175-42	62-22175-44
330,000	N/A	14	62-22175-43	62-22175-44	62-22175-45	62-22175-47	62-22175-43	N/A
350,000	315,000	14	62-22175-42	62-22175-43	62-22175-44	62-22175-45	62-22175-42	62-22175-44
400,000	360,000	14	62-22175-40	62-22175-42	62-22175-43	62-22175-44	62-22175-40	62-22175-42

PACKAGE EQUIPMENT - ORIFICE SELECTION CHART - LP

CAUTION: Selection of the correct LP Orifice requires the following information for the specific installation:

- 1) Furnace Input Rating (BTU/HR)
- 2) Number of Burners
- 2) Altitude (ft.)

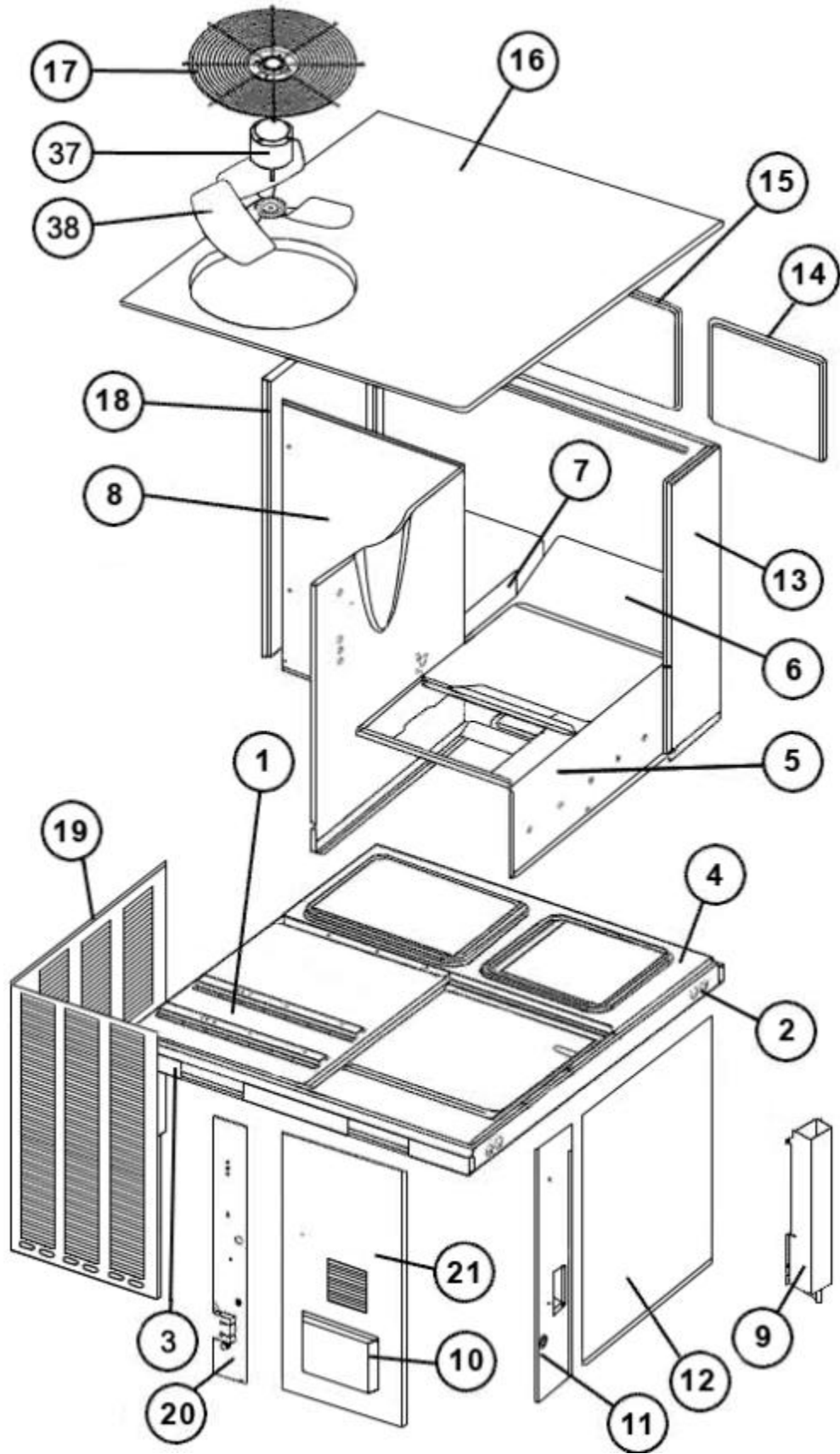
For detailed information and instructions for Orifice selection, see the Gas Furnace LP Conversion Kit Index 92-21519-47 and the latest edition of the National Fuel Gas Code Handbook, or the National Standard of Canada, Natural Gas and Propane Installation Code, CAN B149.1.

CAUTION: This information is provided for replacement purposes only. Conversion to LP or for operation at High Altitude should be done using the kit(s) specified on the product specification sheet for the unit.

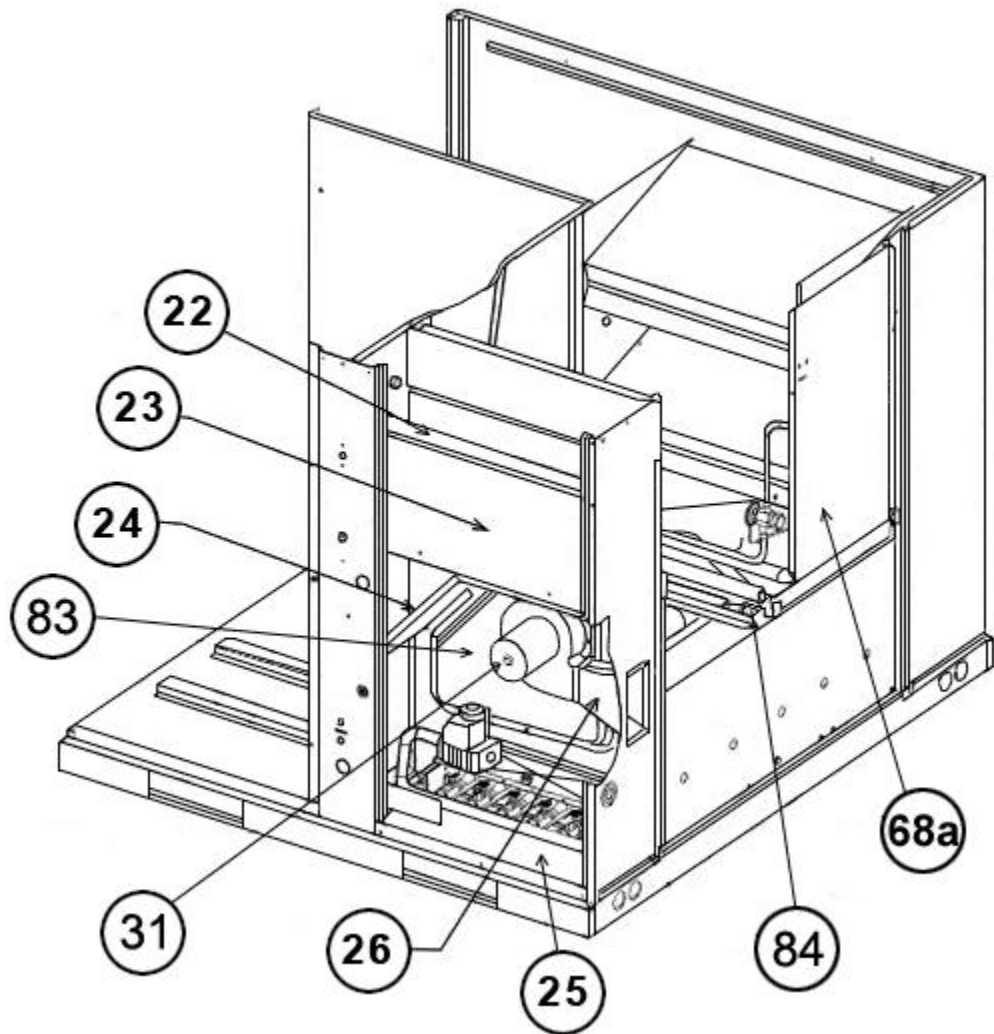
NOTE: This Orifice sizing chart is developed using the specified pressure setting of 10 in. water column instead of the 11.0 in water column used by the NFG and CANB149.1.

NOTE: Orifices supplied in the LP Conversion Kit are calculated and sized based on a heating value of 2500 BTU/cu. ft. and an elevation of 0 - 2000 ft.

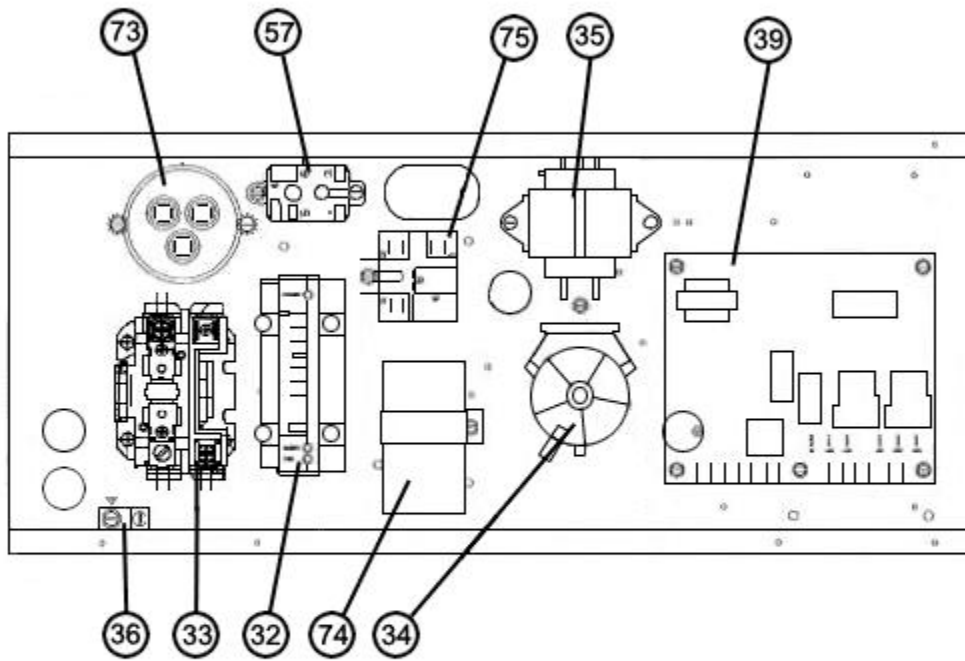
Furnace Input Rating (BTU/HR)	Canadian High Altitude Derated Input (BTU/HR)	Number of Burners	Elevation (ft.)					
			Country					
			0 - 2000 U.S.	2001 - 4000 U.S.	4001 - 6000 U.S.	8000+ U.S.	0 - 2000 Canada	2001 - 4500 Canada
40,000	36,000	2	62-22175-55	62-22175-55	62-22175-56	62-22175-56	62-22175-55	62-22175-13
60,000	54,000	3	62-22175-55	62-22175-55	62-22175-56	62-22175-56	62-22175-55	62-22175-13
72,000	N/A	4	62-22175-13	62-22175-57	62-22175-57	62-22175-59	62-22175-13	N/A
80,000	72,000	4	62-22175-55	62-22175-55	62-22175-56	62-22175-56	62-22175-55	62-22175-13
90,000	N/A	5	62-22175-13	62-22175-57	62-22175-57	62-22175-59	62-22175-13	N/A
100,000	90,000	5	62-22175-55	62-22175-55	62-22175-56	62-22175-56	62-22175-55	62-22175-13
120,000	108,000	6	62-22175-55	62-22175-55	62-22175-56	62-22175-56	62-22175-55	62-22175-13
135,000	121,500	6	62-22175-54	62-22175-55	62-22175-55	62-22175-56	62-22175-54	62-22175-55
150,000	135,000	6	62-22175-54	62-22175-55	62-22175-55	62-22175-56	62-22175-54	62-22175-54
180,000	N/A	9	62-22175-55	62-22175-55	62-22175-56	62-22175-56	62-22175-55	N/A
210,000	N/A	9	62-22175-54	62-22175-55	62-22175-55	62-22175-56	62-22175-54	N/A
210,000	N/A	10	62-22175-55	62-22175-55	62-22175-56	62-22175-56	62-22175-55	N/A
225,000	202,500	9	62-22175-54	62-22175-55	62-22175-55	62-22175-56	62-22175-54	62-22175-54
250,000	225,000	10	62-22175-54	62-22175-55	62-22175-55	62-22175-56	62-22175-54	62-22175-54
252,000	225,000	9	62-22175-53	62-22175-54	62-22175-54	62-22175-55	62-22175-53	62-22175-54
252,000	N/A	12	62-22175-55	62-22175-55	62-22175-56	62-22175-56	62-22175-55	N/A
290,000	N/A	14	62-22175-55	62-22175-55	62-22175-56	62-22175-56	62-22175-55	N/A
300,000	270,000	12	62-22175-54	62-22175-55	62-22175-55	62-22175-56	62-22175-54	62-22175-54
330,000	N/A	14	62-22175-54	62-22175-55	62-22175-55	62-22175-56	62-22175-54	N/A
350,000	315,000	14	62-22175-54	62-22175-55	62-22175-55	62-22175-56	62-22175-54	62-22175-54
400,000	360,000	14	62-22175-53	62-22175-54	62-22175-54	62-22175-55	62-22175-53	62-22175-54



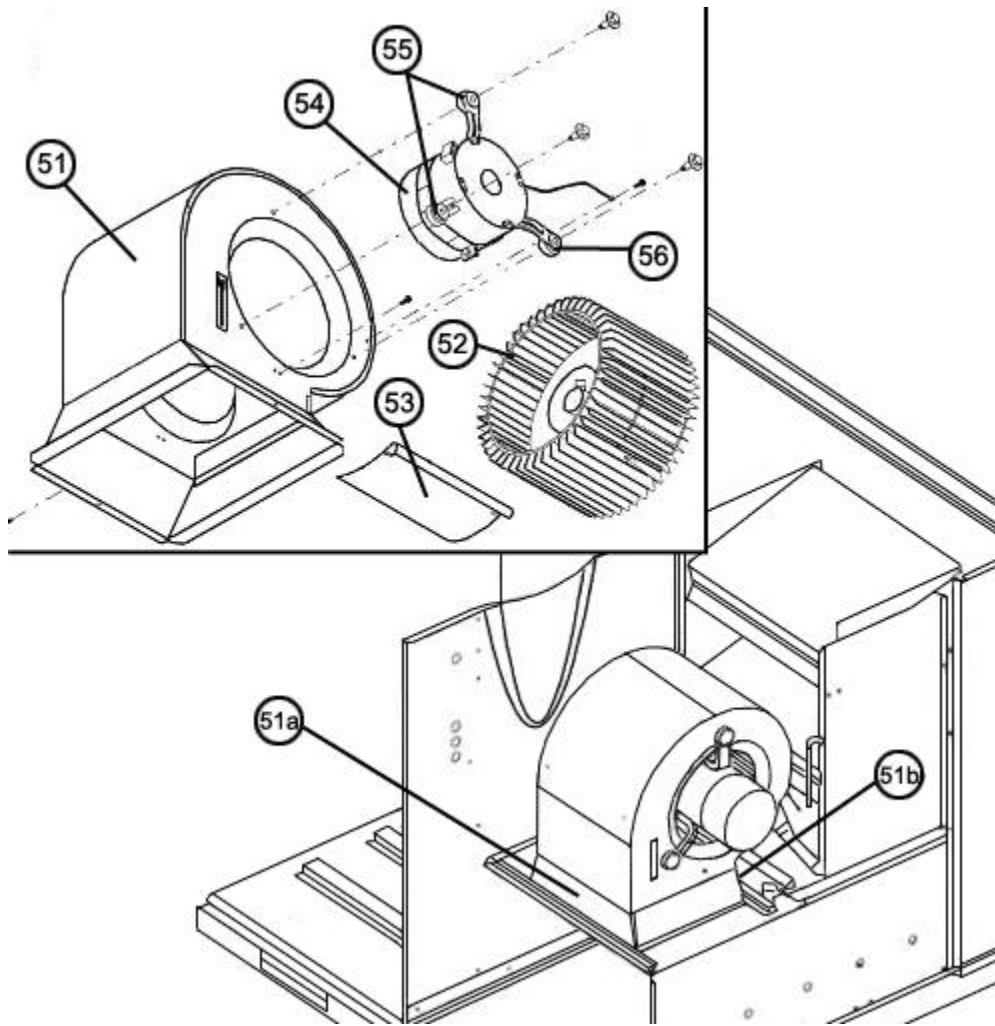
Exploded View



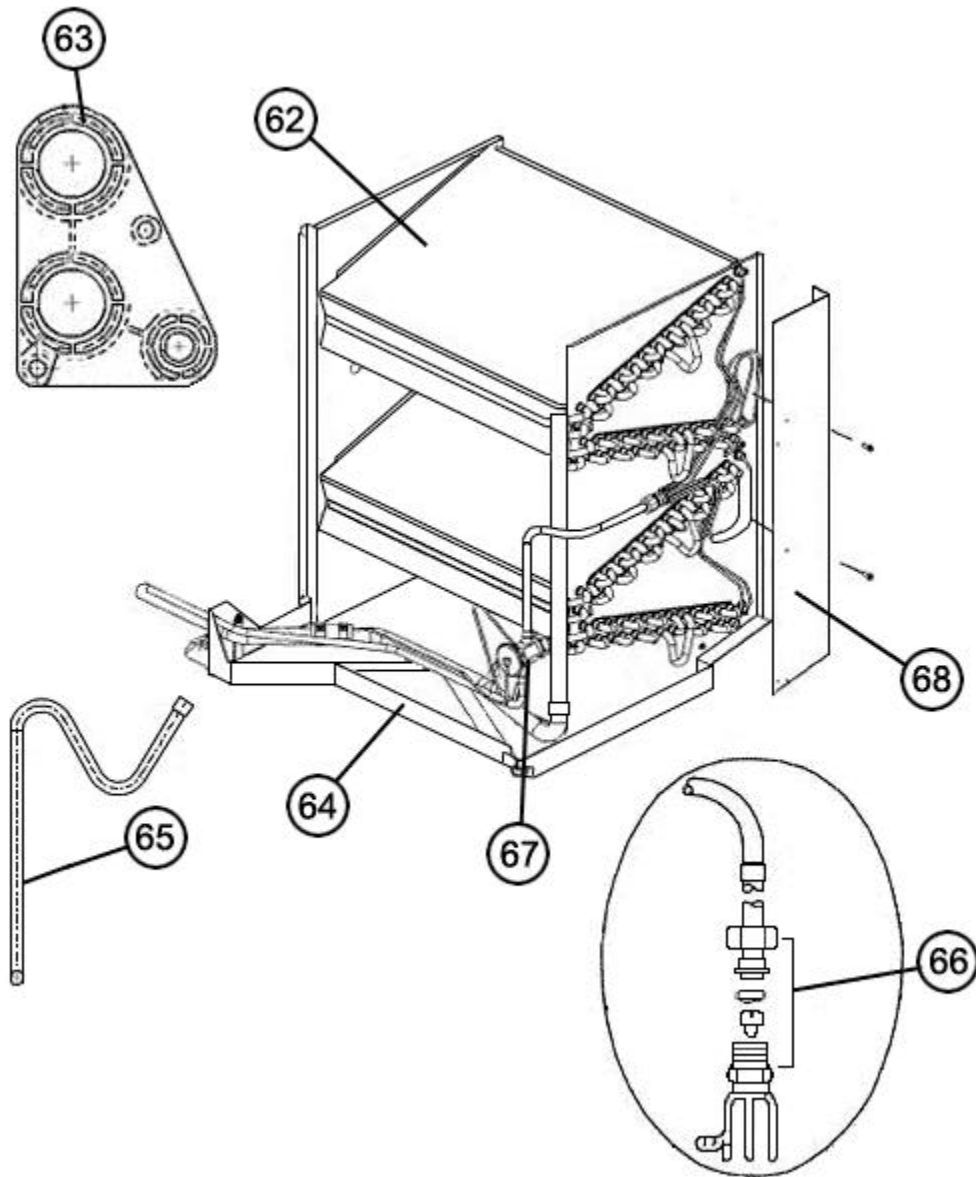
Control Access Panel Detail



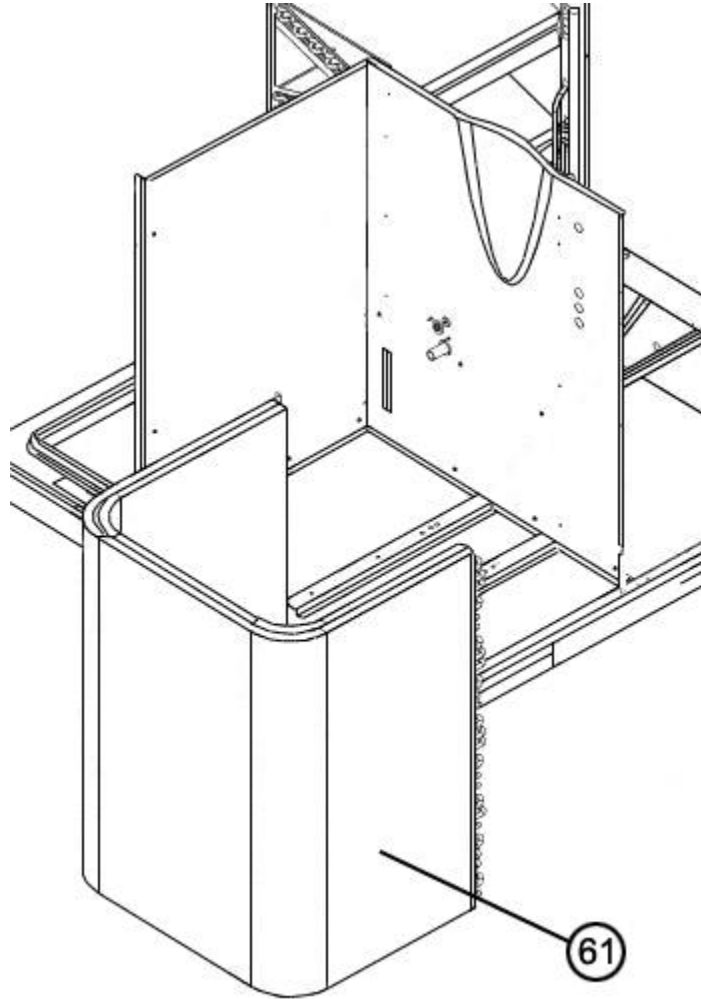
Electrical Control Box



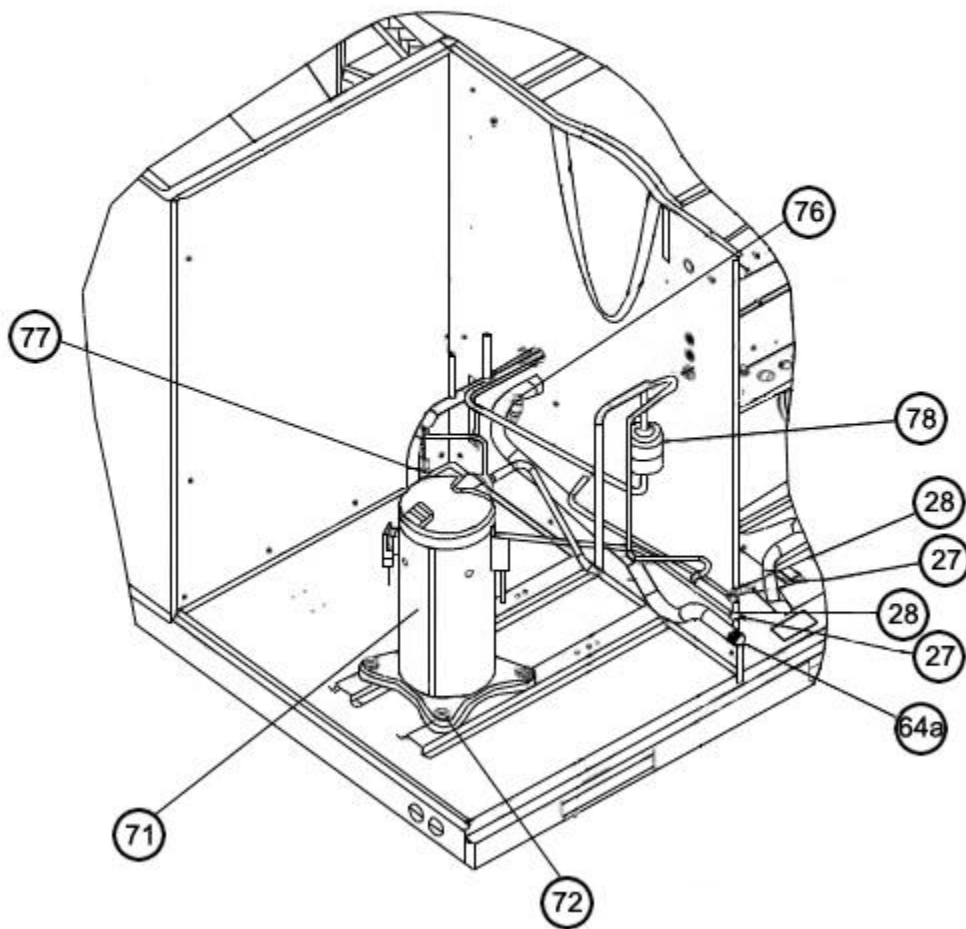
Blower Assembly



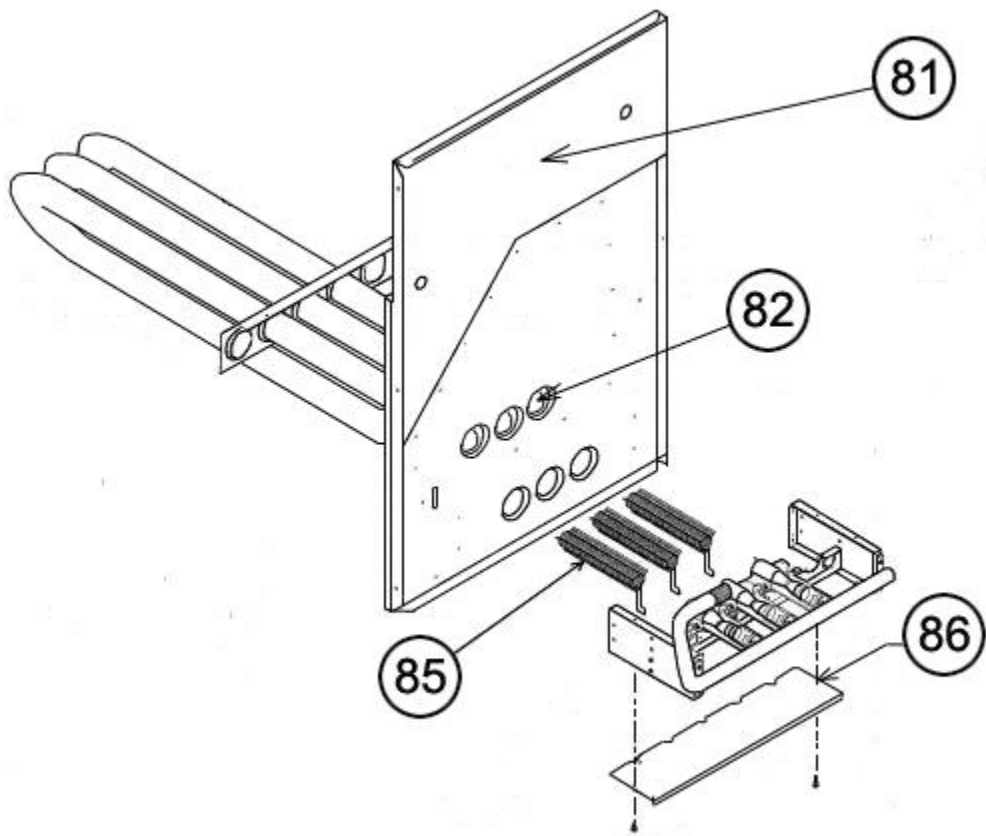
Evaporator Coil Assembly



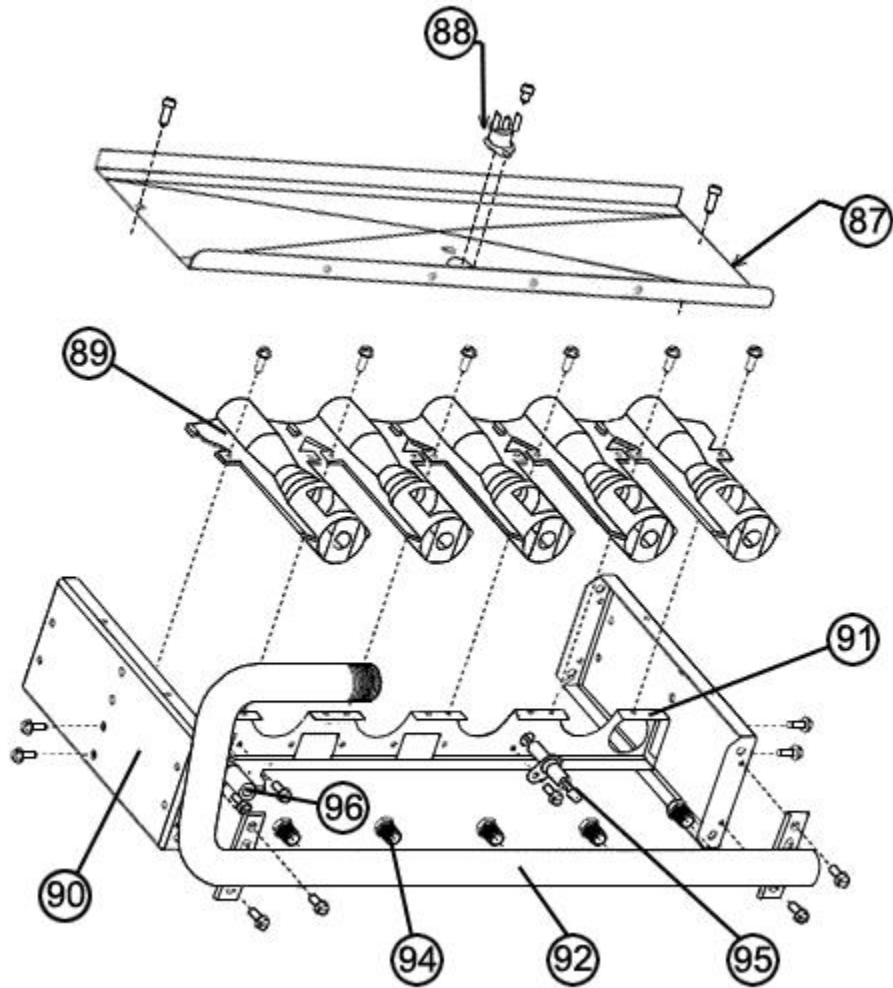
Condenser Coil



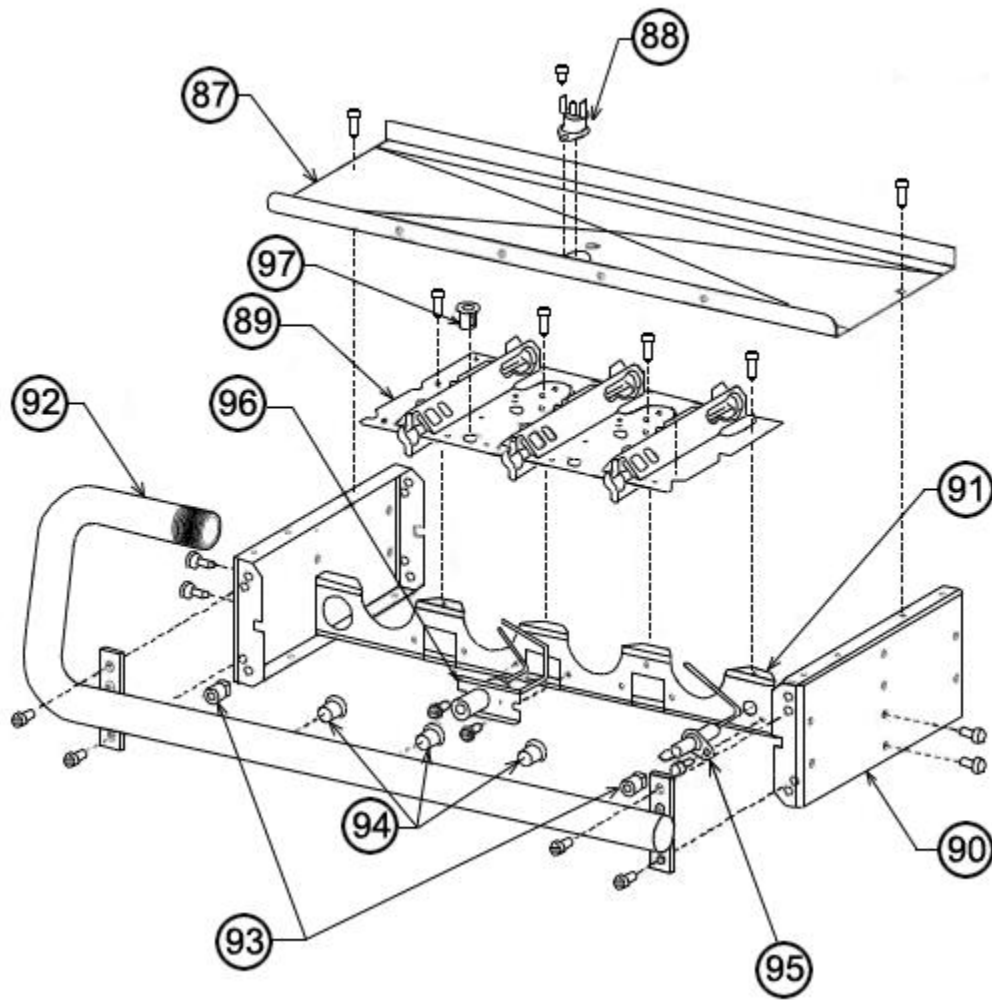
Compressor and Refrigeration Components



Heat Exchanger Assembly



Burner Assembly (Inshot - Before Approx F3708)



Burner Assembly (One-piece - After Approx F3708)

NOTES

Stk It is recommended that stock be maintained for this part.

N/A Not Applicable

- 1 Order Gas Valve for Natural Gas along with LP Conversion Kit.
- 2 This kit includes all necessary items to retrofit units using individual burner tubes with the later one-piece burner design.
- 3 The date code shown is approximate. It should be confirmed by the servicing technician as to whether the unit was manufactured using the later one-piece burner design or the earlier inshot individual burner tubes. Components are NOT interchangeable.
- 4 Some units were shipped with a Low Pressure Control that is different from that listed. Use the Low Pressure Control specified for replacement.
- 5 Units manufactured after F2608 do not require resistor (44-102333-01) for blower motor.

DISCLAIMER: This document is intended to provide general replacement parts information to aid qualified service personnel in the repair of these models. The complete Model and Serial Number of the unit under repair should be specified when selecting and ordering replacement parts. Specifications and illustrations are subject to change without notice. Document 92-42800-RRPL-B supersedes all previous parts lists for these models. See <http://www.rheempartslists.net/92-42800-RRPL-B> for the latest revision of this document. The manufacturer assumes no obligation for errors or omissions. Service personnel must verify the proper and safe operation of equipment after the replacement of any original components.