



RRNL-C

Parts List
08-February-2014



*This parts list is current as of the above revision date.
See <http://www.rheempartslists.net/92-42800-RRNL-C.pdf> for the current revision.*

Package Gas-Electric

Table of Contents

Model Explanation	Page 3
Parts Numbers	
Panels - Miscellaneous (1)	Page 4
Panels - Miscellaneous (2)	Page 5
Electrical Group	Page 6
Fan Group	Page 7
Blower Group	Page 8
Coil Parts	Page 9
Compressor Group	Page 10
Heat Exchanger-Burner Group	Page 11
Gas Controls	Page 12
Accessories	Page 12
Orifice Selection Chart	Page 13
Drawings/Photographs	
Exploded View	Page 14
Control Access Panel Detail	Page 15
Electrical Control Box	Page 16
Blower Assembly	Page 17
EvaporatorCoil Assembly	Page 18
Condenser Coil	Page 19
Compressor Assembly	Page 20
Heat Exchanger Assembly	Page 21
Burner Assembly	Page 22
Notes/Disclaimer	Page 23

MODEL NUMBER EXPLANATION

R	R	N	L	-	C	0	6	0	J	K	10	E	A	J	A
(1)	(2)	(3)	(4)		(5)		(6)		(7)	(8)	(9)	(10)		(11)	

- | | |
|--|---|
| <p>(1) TRADENAME IDENTIFICATION</p> <p>(2) PRODUCT CLASSIFICATION
R = ROOFTOP</p> <p>(3) EFFICIENCY DESIGNATION
N = 13 SEER P = 14 SEER</p> <p>(4) DESIGN SERIES</p> <p>(5) TECHNICAL VARIATIONS</p> <p>(6) COOLING CAPACITY (BTU/HR)
024 = 24,000 042 = 42,000
030 = 30,000 048 = 48,000
036 = 36,000 060 = 60,000</p> <p>(7) ELECTRICAL DESIGNATION
J = 208/230V - 1 PH - 60 Hz
C = 208/230V - 3 PH - 60 Hz
D = 460V - 3 PH - 60 Hz</p> | <p>(8) DRIVE PACKAGE
K = DIRECT DRIVE</p> <p>(9) HEATING CAPACITY - (MBH)
04 = 40,000
06 = 60,000
08 = 80,000
10 = 100,000</p> <p>(10) IGNITION SYSTEM
E = ELECTRIC
X = ELECTRIC NOX</p> <p>(11) OPTION CODES
AJA = STAINLESS STEEL HEAT EXCHANGER
AKA = SIDEFLOW OPTION
BVA = SIDEFLOW w/SS HEAT EXCAHNGER</p> |
|--|---|

SERIAL NUMBER EXPLANATION (Units Produced before Nov. 2013)

2	G	A	1	2	3	4	A	D	A	A	F	2	6	0	9	0	0	0	1
(1)	(2)		(3)				(4)	(5)	(6)	(7)	(8)	(9)		(10)	(11)				

- | | |
|--|---|
| <p>(1) GAS CODE</p> <p>(2) BLOWER CONTROL BOARD</p> <p>(3) COMPRESSOR IDENTIFICATION NUMBER</p> <p>(4) IGNITION DEVICE</p> <p>(5) INDUCER BLOWER</p> <p>(6) HEAT EXCHANGER</p> | <p>(7) TECHNOLOGY VARIATIONS</p> <p>(8) PLANT</p> <p>(9) WEEK</p> <p>(10) YEAR</p> <p>(11) PRODUCTION NUMBER</p> |
|--|---|

SERIAL NUMBER EXPLANATION (Units Produced after Nov. 2013)

F	0	8	1	3	9	9	9	9
(1)	(2)		(3)		(4)			

- (1) **PLANT CODE**
- (2) **WEEK (DATE CODE)**
- (3) **YEAR**
- (4) **PRODUCTION NUMBER**

**Note: For Compressor Identification Number, see Compressor Code on Rating Plate
For Gas Code, see Control System Gas Code on Rating Plate**

No.	Notes	MODEL TECHNICAL VARIATION COOLING CAPACITY	RRNL C 060
SHEET METAL PARTS, MISCELLANEOUS (Granite/Steel Gray, After Date Code 4411)			
1		Front Base Pan	AS-58628-07
2		Base Rail (2)	AE-58562-03
3		Base Rail (2)	AE-58562-04
4		Back Base Pan	AS-58607-64
5		Blower Shelf	AS-58630-01
6		Blower Shelf Transition	AS-58607-19
7		Divider Panel	AS-58607-03
8		Bulkhead Assembly	AS-58607-57
9		Exhaust Hood	AS-58629-01
10		Combustion Air Inlet Hood	AE-58599-01
11		Corner Post	AS-58607-46H
12		Blower Access Panel	AS-58607-47H
13		End Panel	AS-58607-48H
14		Supply Cover - Downflow	AS-58607-06H
14		Supply Cover - Side Option "AKA"	AS-58607-35H
15		Return Cover - Downflow	AS-58607-05H
15		Return Civer - Side Option "AKA"	AS-58607-34H
16		Top Panel	AS-58607-54H
17		Grille	95-100906-08
18		Filter Access Panel	AS-58607-49H
19		Condenser Louver Panel	AS-58607-56H
20		Center Post	AE-58569-07
21		Control Access Panel	AS-58607-50H
22		Control Box - (w/o components)	AE-58597-01
23		Control Box Cover	AE-58598-01
24		Furnace Shelf	AS-58607-11
25		Burner Floor	AE-58594-01
26		Exhaust Transition	AS-58607-36
27		Bulkhead Valve (2)	61-22369-04
28		Bulkhead Valve Locknut (2)	63-22368-01
		Bulkhead Valve Cap (2)	83-100635-01
		Heat Exchanger Tube Support	AE-58590-01
		Grommet - Gas Supply Piping	56-22114-01

No.	Notes	MODEL TECHNICAL VARIATION COOLING CAPACITY	RRNL C 060
SHEET METAL PARTS, MISCELLANEOUS (Neutra Green, Before Date Code 4411)			
1		Front Base Pan	AS-58628-07
2		Base Rail (2)	AE-58562-03
3		Base Rail (2)	AE-58562-04
4		Back Base Pan	AS-58607-64
5		Blower Shelf	AS-58630-01
6		Blower Shelf Transition	AS-58607-19
7		Divider Panel	AS-58607-03
8		Bulkhead Assembly	AS-58607-57
9		Exhaust Hood	AS-58629-01
10		Combustion Air Inlet Hood	AE-58599-01
11		Corner Post	AS-58607-46A
12		Blower Access Panel	AS-58607-47A
13		End Panel	AS-58607-48A
14		Supply Cover - Downflow	AS-58607-06A
14		Supply Cover - Side Option "AKA"	AS-58607-35A
15		Return Cover - Downflow	AS-58607-05A
15		Return Civer - Side Option "AKA"	AS-58607-34A
16		Top Panel	AS-58607-54A
17		Grille	95-100906-08
18		Filter Access Panel	AS-58607-49A
19		Condenser Louver Panel	AS-58607-56A
20		Center Post	AE-58569-07
21		Control Access Panel	AS-58607-50A
22		Control Box - (w/o components)	AE-58597-01
23		Control Box Cover	AE-58598-01
24		Furnace Shelf	AS-58607-11
25		Burner Floor	AE-58594-01
26		Exhaust Transition	AS-58607-36
27		Bulkhead Valve (2)	61-22369-04
28		Bulkhead Valve Locknut (2)	63-22368-01
		Bulkhead Valve Cap (2)	83-100635-01
		Heat Exchanger Tube Support	AE-58590-01
		Grommet - Gas Supply Piping	56-22114-01

No.	Notes	MODEL TECHNICAL VARIATION COOLING CAPACITY ELECTRICAL DESIGNATION	RRNL C 060 J	
ELECTRICAL GROUP				
31	Stk	Induced Draft Blower w/Gasket	70-23641-01	
		Gasket - Induced Draft Blower	68-23643-01	
32	Stk	Comfort Alert Module	N/A	
33	Stk	Contactora	42-102851-02	
34	Stk	Pressure Switch	42-24335-20	
35	Stk	Transformer	46-18788-05	
36		Ground Lug	45-19000-01	
39		Integrated Furnace Control Board (IFC)	See Gas Controls	
57	Stk	Blower Relay	42-101208-02	
73		Capacitor - Compressor/Fan	See Compressor Group	
		Capacitor - Blower Motor	See Blower Group	
84		Limit Control - Blower Shelf	See Heat Exchanger-Burner Group	
88		Limit - Manual Reset (Burner Compartment)	See Heat Exchanger-Burner Group	
		Compressor Wiring Harness (Molded Plug)	See Compressor Group	
		Wiring Harness - 9 pin to 9 insulated terminals	AS-102393-02	
		Leadwire - from Flame Sensor to 9 pin Wiring Harness Plug	45-25323-02	
		Capacitor Adaptor Plate (2 in. round capacitor)	AE-54609-01	
		Capacitor Adaptor Plate (2 in. X 1-1/4 in. oval capacitor)	AE-54609-02	

No.	Notes	MODEL TECHNICAL VARIATION COOLING CAPACITY ELECTRICAL DESIGNATION	RRNL C 060 C	RRNL C 060 D
ELECTRICAL GROUP				
31	Stk	Induced Draft Blower w/Gasket	70-23641-01	70-23641-02
		Gasket - Induced Draft Blower	68-23643-01	68-23643-01
32	Stk	Comfort Alert Module	N/A	N/A
33	Stk	Contactora	42-22464-01	42-22464-01
34	Stk	Pressure Switch	42-24335-20	42-24335-20
35	Stk	Transformer	46-18788-05	46-102027-01
36		Ground Lug	45-19000-01	45-19000-01
39		Integrated Furnace Control Board (IFC)	See Gas Controls	
57	Stk	Blower Relay	42-101208-02	42-21571-08
73		Capacitor - Fan Motor	See Fan Group	
		Capacitor - Blower Motor	See Blower Group	
84		Limit Control - Blower Shelf	See Heat Exchanger-Burner Group	
88		Limit Control - Roll Out	See Heat Exchanger-Burner Group	
		Compressor Wiring Harness (Molded Plug)	See Compressor Group	
		Wiring Harness - 9 pin to 9 insulated terminals	AS-102393-02	AS-102393-02
		Leadwire - from Flame Sensor to 9 pin Wiring Harness Plug	45-25323-02	45-25323-02
		Capacitor Adaptor Plate (2 in. round capacitor)	AE-54609-01	AE-54609-01
		Capacitor Adaptor Plate (2 in. X 1-1/4 in. oval capacitor)	AE-54609-02	AE-54609-02

No.	Notes	MODEL TECHNICAL VARIATION COOLING CAPACITY ELECTRICAL DESIGNATION	RRNL C 060 J	
FAN GROUP				
37	Stk	Fan Motor	51-100998-29	
38	Stk	Fan Blade	70-23594-03	
73		Capacitor - Compressor/Fan	See Compressor Group	

No.	Notes	MODEL TECHNICAL VARIATION COOLING CAPACITY ELECTRICAL DESIGNATION	RRNL C 060 C	RRNL C 060 D
FAN GROUP				
37	Stk	Fan Motor	51-100998-29	51-100998-20
38	Stk	Fan Blade	70-23594-03	70-23594-03
73	Stk	Capacitor - Fan Motor	43-100496-12	43-100496-39

No.	Notes	MODEL TECHNICAL VARIATION COOLING CAPACITY ELECTRICAL DESIGNATION	RRNL C 060 J	
BLOWER GROUP				
	Stk	Blower Assembly (Includes items 51-56)	AS-58662-49	
51		Housing	N/A	
51		Housing w/Wheel	70-100840-02	
51a		Transition	AE-102207-05	
51b		Transition - Back	AE-102207-06	
52	Stk	Blower Wheel	703016	
53		Cut-Off	N/A	
54	Stk	Motor	51-101984-12	
55		Motor Band	70-19927-03	
56		Motor Arm Assembly (3)	70-19929-09	
57		Blower Relay	See Electrical Group	
79	Stk	Capacitor - Blower Motor	N/A	

No.	Notes	MODEL TECHNICAL VARIATION COOLING CAPACITY ELECTRICAL DESIGNATION	RRNL C 060 C	RRNL C 060 D
BLOWER GROUP				
	Stk	Blower Assembly (Includes items 51-56)	AS-58662-49	AS-58662-51
51		Housing	N/A	N/A
51		Housing w/Wheel	70-100840-02	70-100840-02
51a		Transition	AE-102207-05	AE-102207-05
51b		Transition - Back	AE-102207-06	AE-102207-06
52	Stk	Blower Wheel	703016	703016
53		Cut-Off	N/A	N/A
54	Stk	Motor	51-101984-12	51-103624-00
		Motor Mounting Bracket Assembly (Includes items 55, 56)	70-19927-03	70-19927-03
55		Motor Band	70-19929-09	70-19929-09
56		Motor Arm Assembly (3)	70-19929-09	70-19929-09
57		Blower Relay	See Electrical Group	
79	Stk	Capacitor - Blower Motor	N/A	N/A

No.	Notes	MODEL TECHNICAL VARIATION COOLING CAPACITY ELECTRICAL DESIGNATION	RRNL C 060 J	
COIL GROUP				
CONDENSER COIL:				
61	Stk	Condenser Coil	AS-103011-01	
		Access Valve Body (2)	61-18542-01	
		Access Valve Core (2)	61-18551-01	
78	Stk	Filter Drier - Liquid Line	83-22755-05	
EVAPORATOR COIL:				
62	Stk	Evaporator Coil w/Drain Pan	AS-102660-10	
62	Stk	Evaporator Coil w/Drain Pan (Tin Plated)	AS-104668-10	
63		Drain Pan Grommet	56-23601-01	
64	Stk	Drain Pan	68-23602-02	
64a		Drain Trap (Attached to Drain Pan)	68-23603-01	
65		Auxiliary Drain Pipe	AE-58611-01	
66	Stk	Distributor Assembly	83-102202-03	
67	Stk	TXV	61-102211-28	
68		Condensate Shield	AE-101751-02	
68a		Condensate Barrier	AE-100544-02	

No.	Notes	MODEL TECHNICAL VARIATION COOLING CAPACITY ELECTRICAL DESIGNATION	RRNL C 060 C	RRNL C 060 D
COIL GROUP				
CONDENSER COIL:				
61	Stk	Condenser Coil	AS-103011-01	AS-103011-01
		Access Valve Body (2)	61-18542-01	61-18542-01
		Access Valve Core (2)	61-18551-01	61-18551-01
78	Stk	Filter Drier - Liquid Line	83-22755-05	83-22755-05
EVAPORATOR COIL:				
62	Stk	Evaporator Coil w/Drain Pan	AS-102660-10	AS-102660-10
62	Stk	Evaporator Coil w/Drain Pan (Tin Plated)	AS-104668-10	AS-104668-10
63		Drain Pan Grommet	56-23601-01	56-23601-01
64	Stk	Drain Pan	68-23602-02	68-23602-02
64a		Drain Trap (Attached to Drain Pan)	68-23603-01	68-23603-01
65		Auxiliary Drain Pipe	AE-58611-01	AE-58611-01
66	Stk	Distributor Assembly	83-102202-03	83-102202-03
67	Stk	TXV	61-102211-28	61-102211-28
68		Condensate Shield	AE-101751-02	AE-101751-02
68a		Condensate Barrier	AE-100544-02	AE-100544-02

No.	Notes	MODEL TECHNICAL VARIATION COOLING CAPACITY ELECTRICAL DESIGNATION	RRNL C 060 J	
COMPRESSOR GROUP				
		Compressor ID:	7989	
71	Stk	Compressor	55-102045-26S	
72		Grommet (4)	56-18518-06	
	Stk	Compressor Wiring Harness (Molded Plug)	45-100834-80	
73	Stk	Capacitor - Compressor/Fan	43-26271-47	
74		Capacitor - Start	N/A	
75		Relay - Start	N/A	
76		High Pressure Control	N/A	
77		Low Pressure Control	N/A	

No.	Notes	MODEL TECHNICAL VARIATION COOLING CAPACITY ELECTRICAL DESIGNATION	RRNL C 060 C	RRNL C 060 D
COMPRESSOR GROUP				
		Compressor ID:	7990	8361
71	Stk	Compressor	55-102045-27S	55-102045-28S
72		Grommet (4)	56-18518-06	56-18518-06
	Stk	Compressor Wiring Harness (Molded Plug)	45-100834-80	45-100834-80
76		High Pressure Control	N/A	N/A
77		Low Pressure Control	N/A	N/A

No.	Notes	MODEL TECHNICAL VARIATION HEATING CAPACITY	RRNL C 10
HEAT EXCHANGER, BURNER / MANIFOLD			
81	Stk	Heat Exchanger (Includes Center Panel and Turbulators)	AS-58632-04
82		Turbulators	AE-58591-02 (5)
		Collector Box Gasket	68-23644-01
83		Collector Box	AE-58588-01
84	Stk	Limit Control - Blower Shelf	47-102436-01
85		NOX Insert Assembly (5)	75-23684-01
86		Lower Burner Shield (NOX)	AE-59148-01
87		Radiation Shield	AE-58595-01
88	Stk	Limit - Manual Reset (Burner Compartment)	47-22861-02
89	Stk	Burner Assembly	AS-60993-05
90		Burner Support Bracket (2)	AE-61588-02
91		Burner Support - (Holds Burners between Burner Support Brackets)	AE-102438-01
92	Stk	Manifold Assembly	81-101154-01
94		Square Head Plug (Used on Manifold to plug extra holes)	N/A
93		Burner Orifice - Natural Gas	See Orifice Selection Chart
93		Burner Orifice - LP	See Orifice Selection Chart
93		Number of Orifices	(5)
95	Stk	Flame Sensor	62-23543-02
96	Stk	Ignition Electrode/Cable Assembly	62-23556-01
97	3	Bushing	45-42519-01

No.	Notes	MODEL TECHNICAL VARIATION GAS CODE	RRNL C 2G
GAS CONTROLS			
39	Stk	Integrated Furnace Control Board (IFC)	62-23599-04
	Stk	Gas Valve - Natural Gas	60-100394-02
	Stk,1	Gas Valve - LP	See Note 1
	Stk	LP Conversion Kit	EP-85H

No.	Notes	MODEL SIZE	RRNL ALL
OPTIONS AND ACCESSORIES			
		Economizer - Downflow, 3 Position	RXRE-CAA30
		Economizer - Downflow, Fully Modulating	RXRD-CAM10
		Economizer - Horizontal Application, 3 position	RXRE-CCA30
		Economizer - Horizontal Application, Fully Modulating	RXRD-CCM10
		Fresh Air Damper - Fixed, 35%	RXRF-FAA1
		Fresh Air Damper - Motorized, 35%	RXRF-FAB1
		Filter Kit	RXRY-B01
		Low Ambient Control	RXRZ-B01
		High Pressure Control	RXAB-E01
		Low Pressure Control	RXAC-C01

PACKAGE EQUIPMENT - ORIFICE SELECTION CHART - NATURAL GAS

CAUTION: Selection of the correct Natural Gas Orifice requires the following information for the specific installation:

- 1) Furnace Input Rating (BTU/HR)
- 2) Number of Burners
- 2) Altitude (ft.)

For detailed information and instructions for Orifice selection, see the Gas Furnace LP Conversion Kit Index 92-21519-47 and the latest edition of the National Fuel Gas Code Handbook, or the National Standard of Canada, Natural Gas and Propane Installation Code, CAN B149.1.

CAUTION: This information is provided for replacement purposes only. Conversion for operation at High Altitude must be done using the kit specified on the product specification sheet for the unit.

NOTE: This Orifice sizing chart is based on a Natural Gas heating value of 1075 BTU/cu. ft and a pressure setting of 3.5 in. water column.

NOTE: Factory installed orifices are calculated and sized based on a Natural Gas heating value of 1075 BTU/cu. ft. and an elevation of 0 - 2000 ft.

Furnace Input Rating (BTU/HR)	Canadian High Altitude Derated Input (BTU/HR)	Number of Burners	Elevation (ft.)					
			Country					
			0 - 2000 U.S.	2001 - 4000 U.S.	4001 - 6000 U.S.	8000+ U.S.	0 - 2000 Canada	2001 - 4500 Canada
40,000	36,000	2	62-22175-45	62-22175-47	62-22175-48	62-22175-49	62-22175-45	62-22175-15
60,000	54,000	3	62-22175-45	62-22175-47	62-22175-48	62-22175-49	62-22175-45	62-22175-15
72,000	N/A	4	62-22175-15	62-22175-49	62-22175-50	62-22175-51	62-22175-15	N/A
80,000	72,000	4	62-22175-45	62-22175-47	62-22175-48	62-22175-49	62-22175-45	62-22175-15
90,000	N/A	5	62-22175-15	62-22175-49	62-22175-50	62-22175-51	62-22175-15	N/A
100,000	90,000	5	62-22175-45	62-22175-47	62-22175-48	62-22175-49	62-22175-45	62-22175-15
120,000	108,000	6	62-22175-45	62-22175-47	62-22175-48	62-22175-49	62-22175-45	62-22175-15
135,000	121,500	6	62-22175-44	62-22175-45	62-22175-47	62-22175-48	62-22175-44	62-22175-45
150,000	135,000	6	62-22175-42	62-22175-43	62-22175-44	62-22175-45	62-22175-42	62-22175-44
180,000	N/A	9	62-22175-45	62-22175-47	62-22175-48	62-22175-49	62-22175-45	N/A
210,000	N/A	9	62-22175-43	62-22175-44	62-22175-45	62-22175-47	62-22175-43	N/A
210,000	N/A	10	62-22175-45	62-22175-47	62-22175-48	62-22175-49	62-22175-45	N/A
225,000	202,500	9	62-22175-42	62-22175-43	62-22175-44	62-22175-45	62-22175-42	62-22175-44
250,000	225,000	10	62-22175-42	62-22175-43	62-22175-44	62-22175-45	62-22175-42	62-22175-44
252,000	225,000	9	62-22175-40	62-22175-42	62-22175-43	62-22175-44	62-22175-40	62-22175-42
252,000	N/A	12	62-22175-45	62-22175-47	62-22175-48	62-22175-49	62-22175-45	N/A
290,000	N/A	14	62-22175-45	62-22175-47	62-22175-48	62-22175-49	62-22175-45	N/A
300,000	270,000	12	62-22175-42	62-22175-43	62-22175-44	62-22175-45	62-22175-42	62-22175-44
330,000	N/A	14	62-22175-43	62-22175-44	62-22175-45	62-22175-47	62-22175-43	N/A
350,000	315,000	14	62-22175-42	62-22175-43	62-22175-44	62-22175-45	62-22175-42	62-22175-44
400,000	360,000	14	62-22175-40	62-22175-42	62-22175-43	62-22175-44	62-22175-40	62-22175-42

PACKAGE EQUIPMENT - ORIFICE SELECTION CHART - LP

CAUTION: Selection of the correct LP Orifice requires the following information for the specific installation:

- 1) Furnace Input Rating (BTU/HR)
- 2) Number of Burners
- 2) Altitude (ft.)

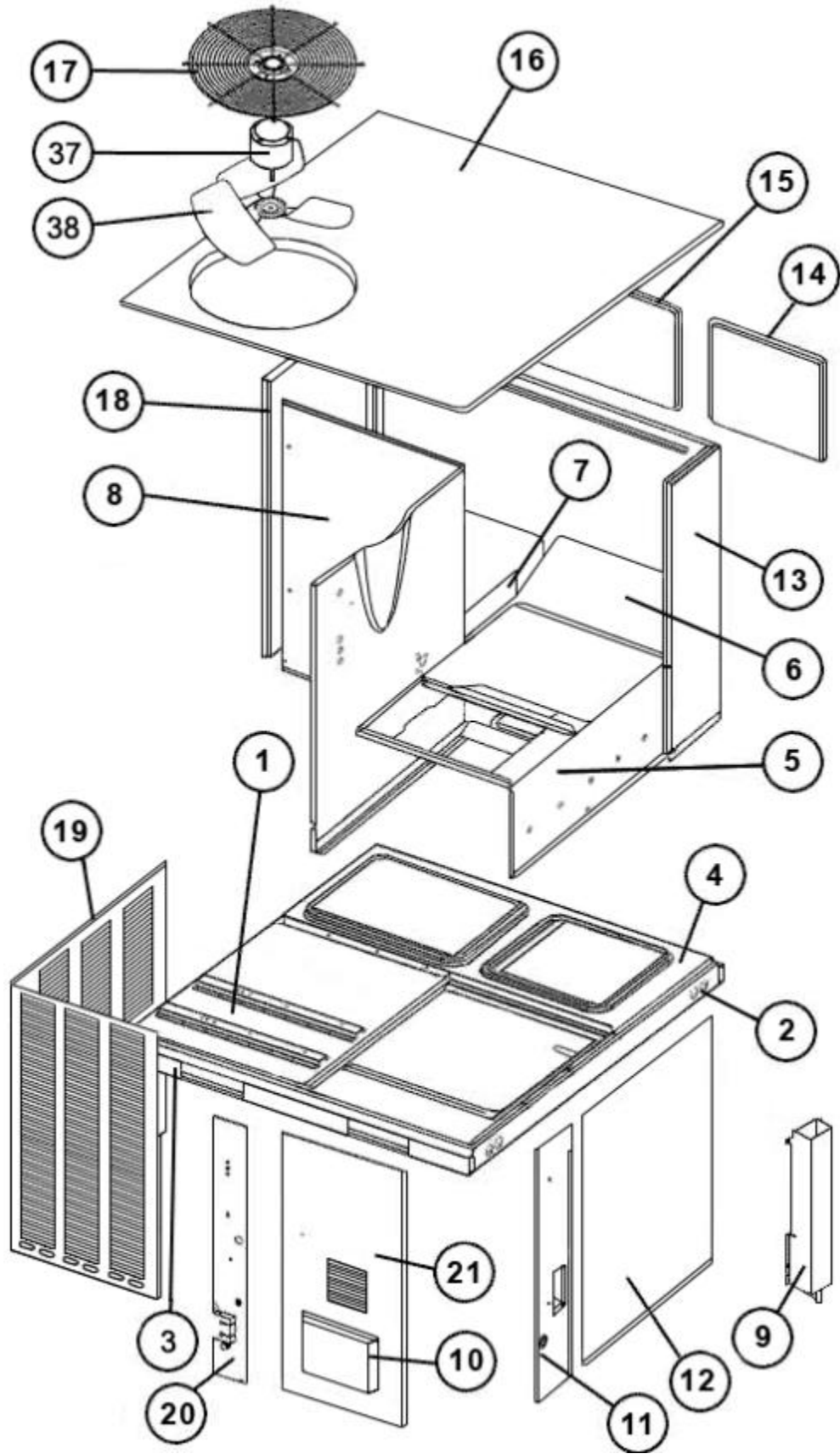
For detailed information and instructions for Orifice selection, see the Gas Furnace LP Conversion Kit Index 92-21519-47 and the latest edition of the National Fuel Gas Code Handbook, or the National Standard of Canada, Natural Gas and Propane Installation Code, CAN B149.1.

CAUTION: This information is provided for replacement purposes only. Conversion to LP or for operation at High Altitude should be done using the kit(s) specified on the product specification sheet for the unit.

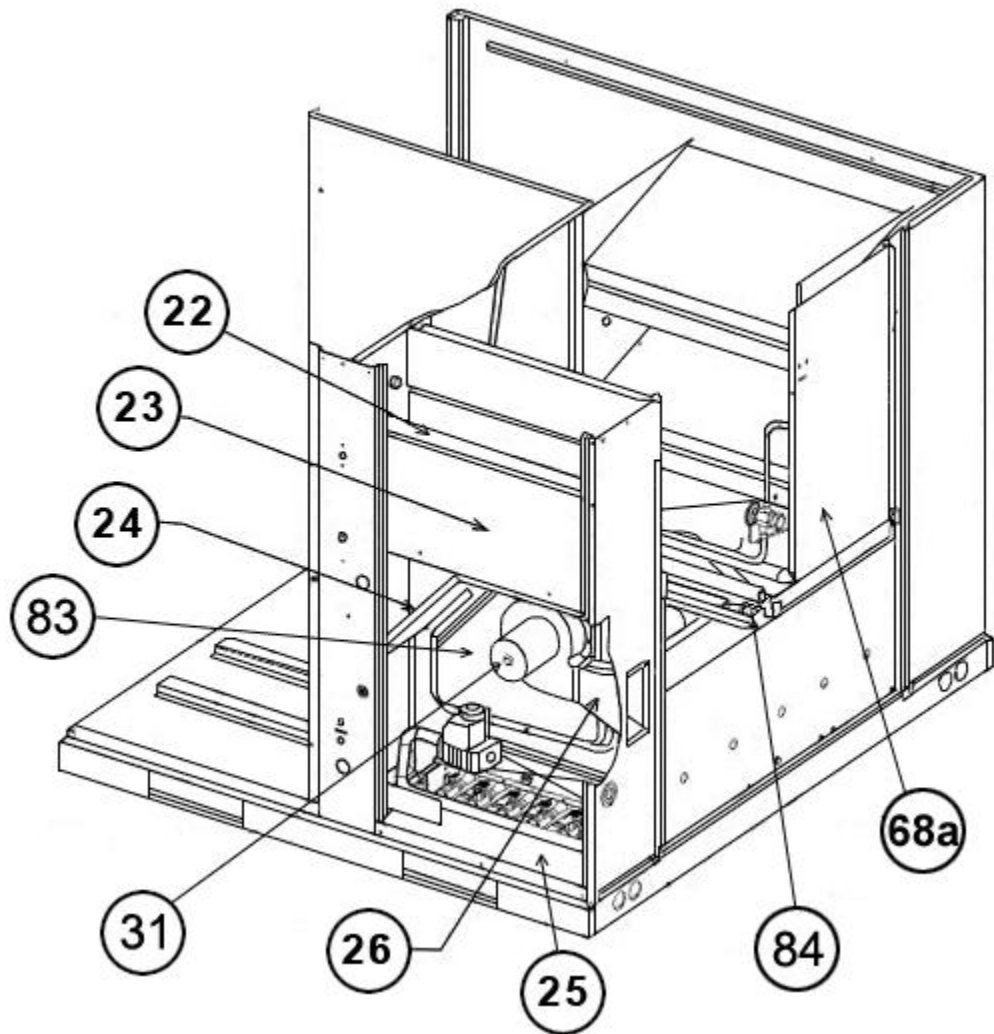
NOTE: This Orifice sizing chart is developed using the specified pressure setting of 10 in. water column instead of the 11.0 in water column used by the NFG and CANB149.1.

NOTE: Orifices supplied in the LP Conversion Kit are calculated and sized based on a heating value of 2500 BTU/cu. ft. and an elevation of 0 - 2000 ft.

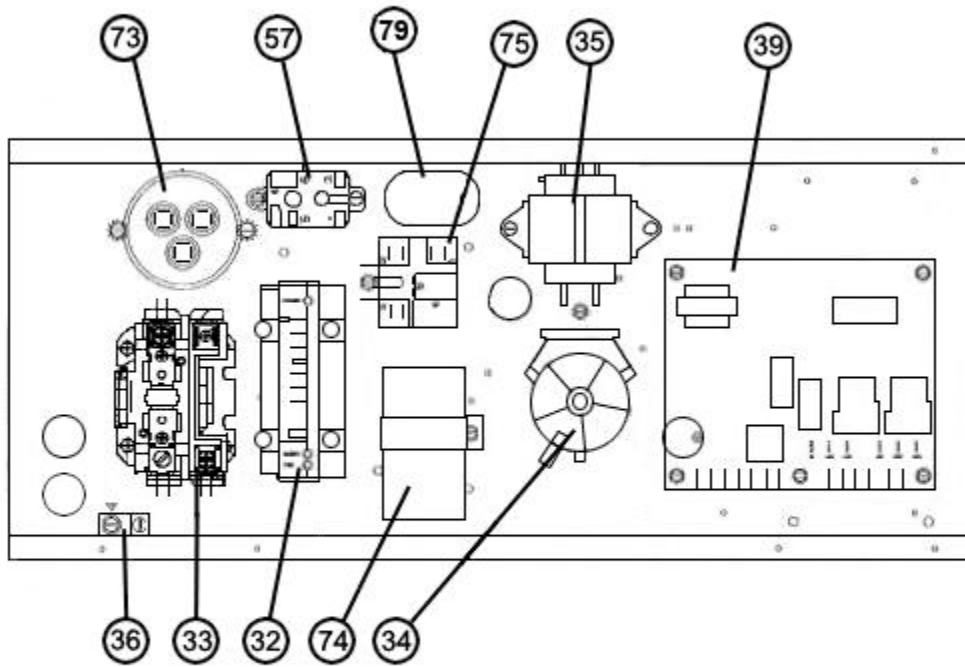
Furnace Input Rating (BTU/HR)	Canadian High Altitude Derated Input (BTU/HR)	Number of Burners	Elevation (ft.)					
			Country					
			0 - 2000 U.S.	2001 - 4000 U.S.	4001 - 6000 U.S.	8000+ U.S.	0 - 2000 Canada	2001 - 4500 Canada
40,000	36,000	2	62-22175-55	62-22175-55	62-22175-56	62-22175-56	62-22175-55	62-22175-13
60,000	54,000	3	62-22175-55	62-22175-55	62-22175-56	62-22175-56	62-22175-55	62-22175-13
72,000	N/A	4	62-22175-13	62-22175-57	62-22175-57	62-22175-59	62-22175-13	N/A
80,000	72,000	4	62-22175-55	62-22175-55	62-22175-56	62-22175-56	62-22175-55	62-22175-13
90,000	N/A	5	62-22175-13	62-22175-57	62-22175-57	62-22175-59	62-22175-13	N/A
100,000	90,000	5	62-22175-55	62-22175-55	62-22175-56	62-22175-56	62-22175-55	62-22175-13
120,000	108,000	6	62-22175-55	62-22175-55	62-22175-56	62-22175-56	62-22175-55	62-22175-13
135,000	121,500	6	62-22175-54	62-22175-55	62-22175-55	62-22175-56	62-22175-54	62-22175-55
150,000	135,000	6	62-22175-54	62-22175-55	62-22175-55	62-22175-56	62-22175-54	62-22175-54
180,000	N/A	9	62-22175-55	62-22175-55	62-22175-56	62-22175-56	62-22175-55	N/A
210,000	N/A	9	62-22175-54	62-22175-55	62-22175-55	62-22175-56	62-22175-54	N/A
210,000	N/A	10	62-22175-55	62-22175-55	62-22175-56	62-22175-56	62-22175-55	N/A
225,000	202,500	9	62-22175-54	62-22175-55	62-22175-55	62-22175-56	62-22175-54	62-22175-54
250,000	225,000	10	62-22175-54	62-22175-55	62-22175-55	62-22175-56	62-22175-54	62-22175-54
252,000	225,000	9	62-22175-53	62-22175-54	62-22175-54	62-22175-55	62-22175-53	62-22175-54
252,000	N/A	12	62-22175-55	62-22175-55	62-22175-56	62-22175-56	62-22175-55	N/A
290,000	N/A	14	62-22175-55	62-22175-55	62-22175-56	62-22175-56	62-22175-55	N/A
300,000	270,000	12	62-22175-54	62-22175-55	62-22175-55	62-22175-56	62-22175-54	62-22175-54
330,000	N/A	14	62-22175-54	62-22175-55	62-22175-55	62-22175-56	62-22175-54	N/A
350,000	315,000	14	62-22175-54	62-22175-55	62-22175-55	62-22175-56	62-22175-54	62-22175-54
400,000	360,000	14	62-22175-53	62-22175-54	62-22175-54	62-22175-55	62-22175-53	62-22175-54



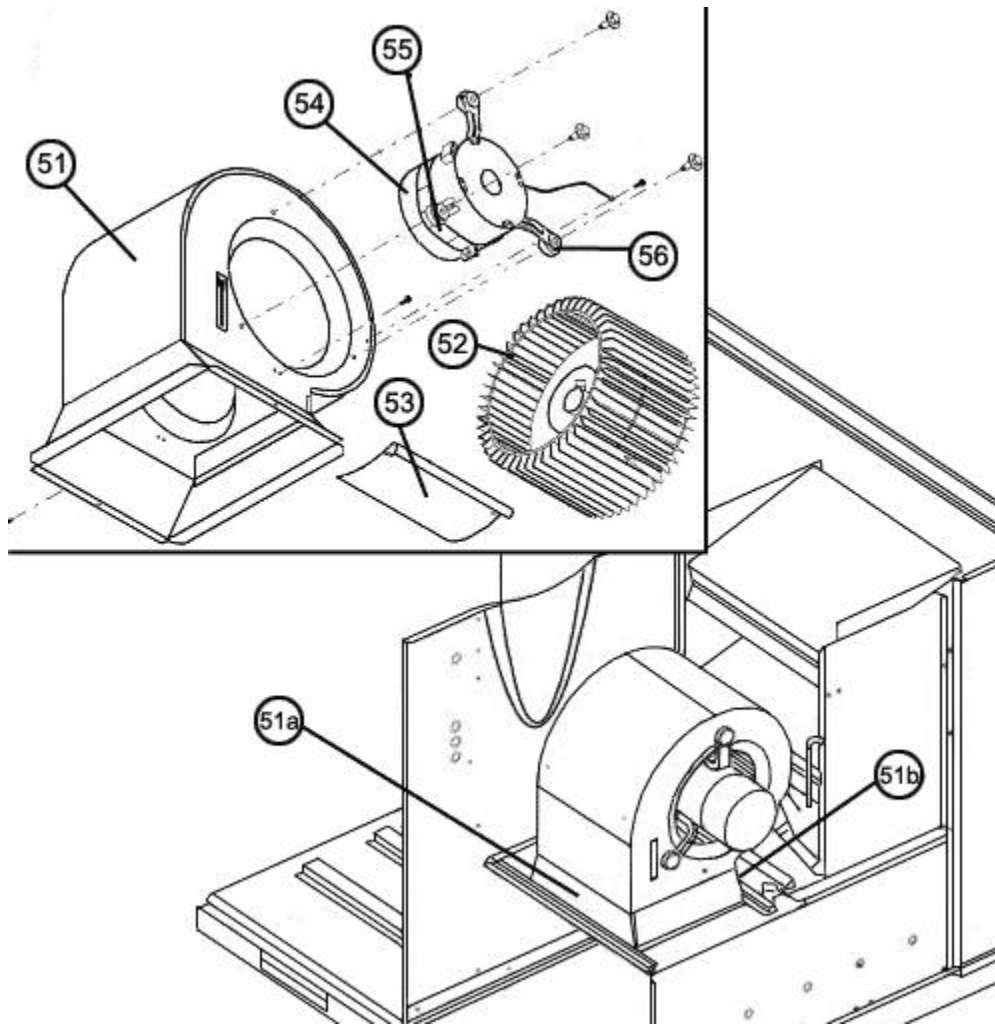
Exploded View



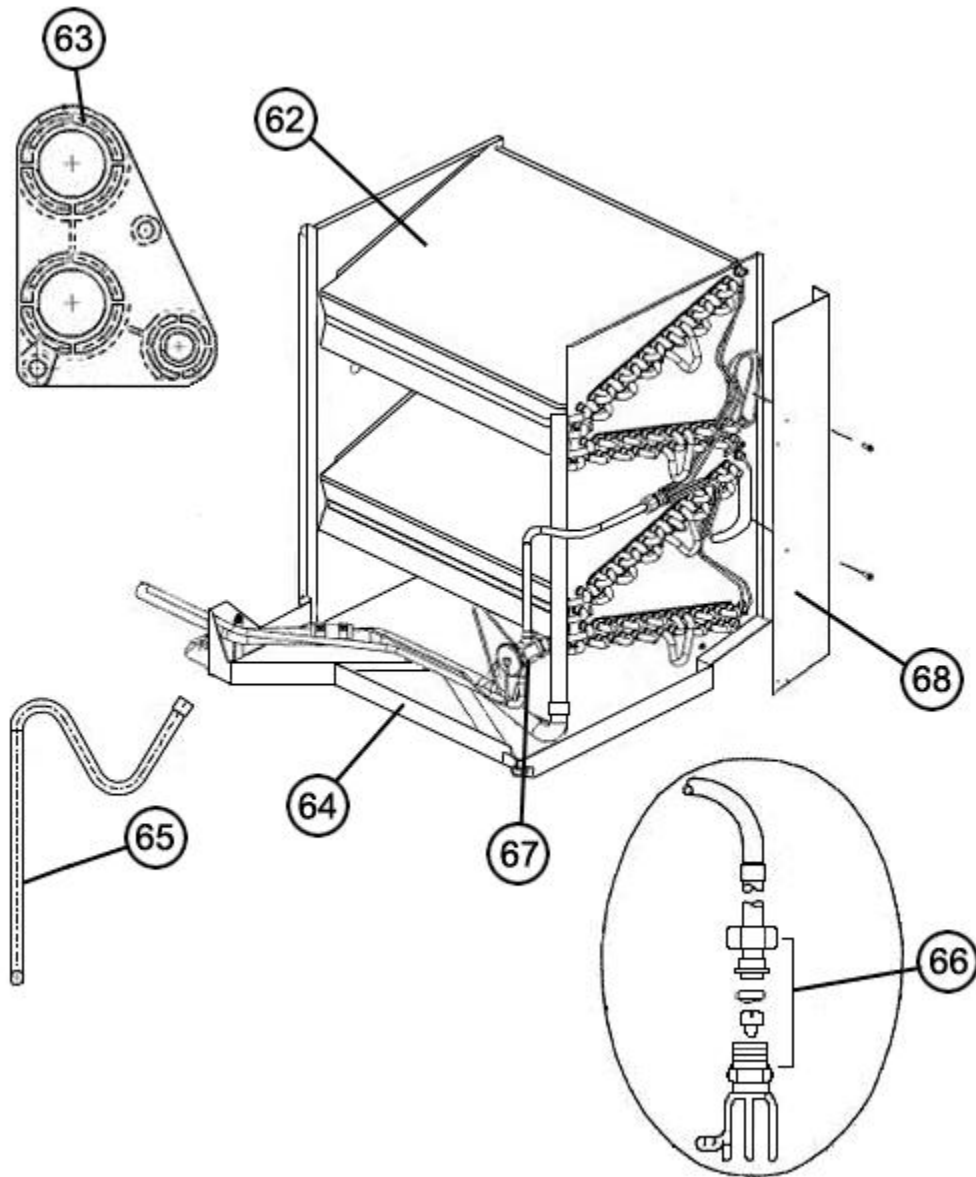
Control Access Panel Detail



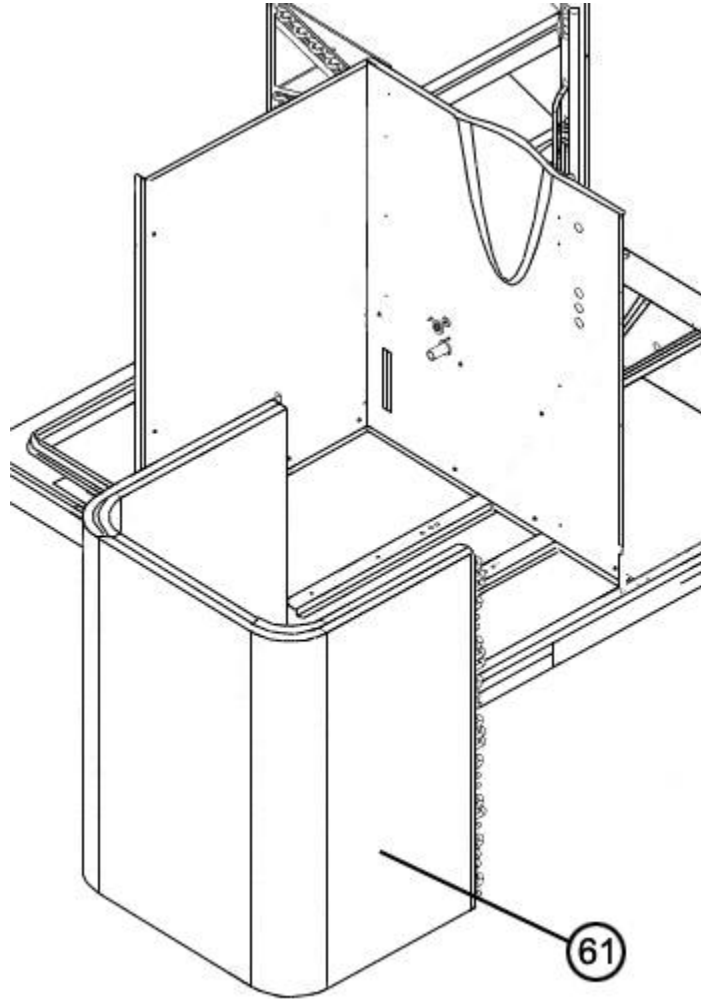
Electrical Control Box



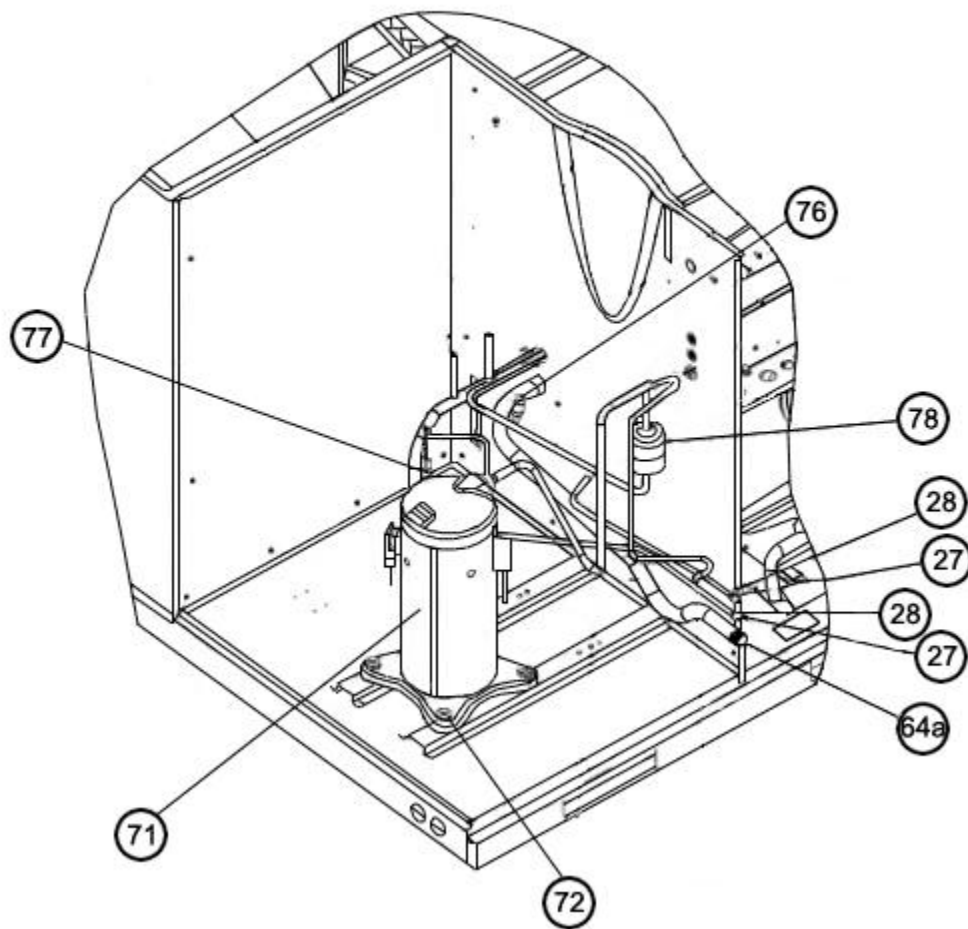
Blower Assembly



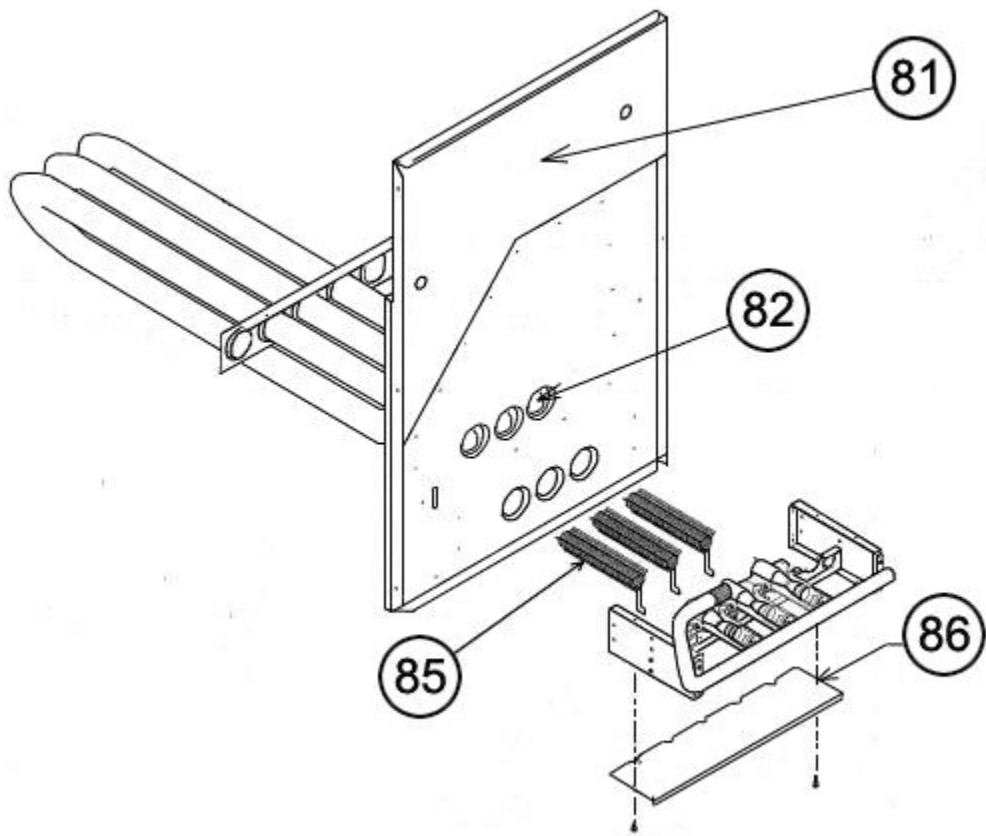
EvaporatorCoil Assembly



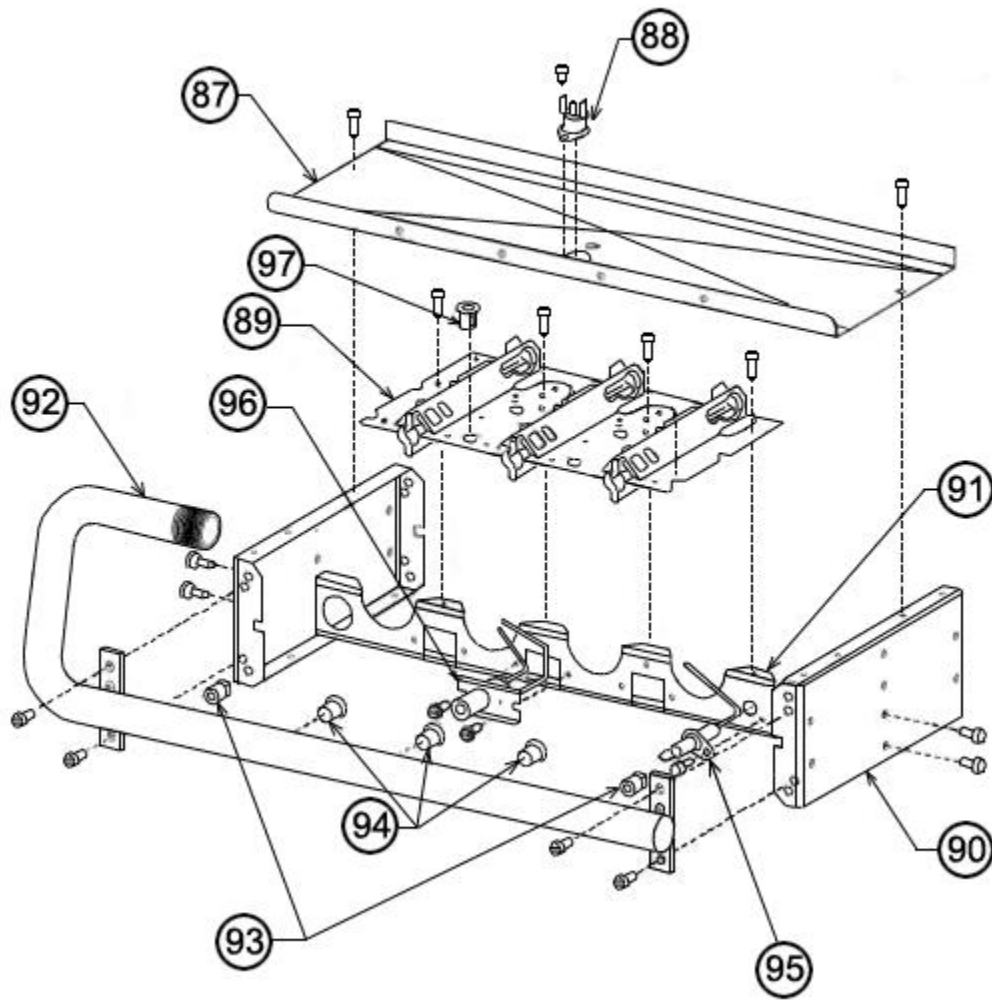
Condenser Coil



Compressor Assembly



Heat Exchanger Assembly



Burner Assembly

NOTES

Stk It is recommended that stock be maintained for this part.

N/A Not Applicable

- 1 Order Gas Valve for Natural Gas along with LP Conversion Kit.

DISCLAIMER: This document is intended to provide general replacement parts information to aid qualified service personnel in the repair of these models. The complete Model and Serial Number of the unit under repair should be specified when selecting and ordering replacement parts. Specifications and illustrations are subject to change without notice. Document 92-42800-RRNL-C supersedes all previous parts lists for these models. See <http://www.rheempartslists.net/92-42800-RRNL-C> for the latest revision of this document. The manufacturer assumes no obligation for errors or omissions. Service personnel must verify the proper and safe operation of equipment after the replacement of any original components.