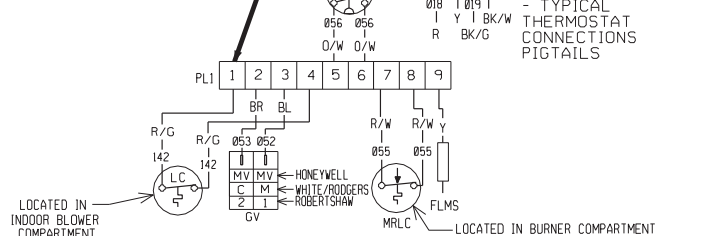
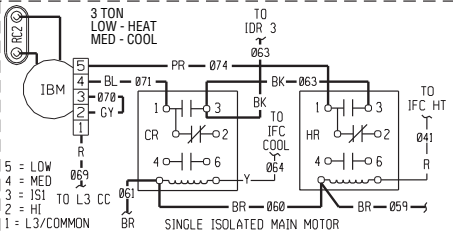
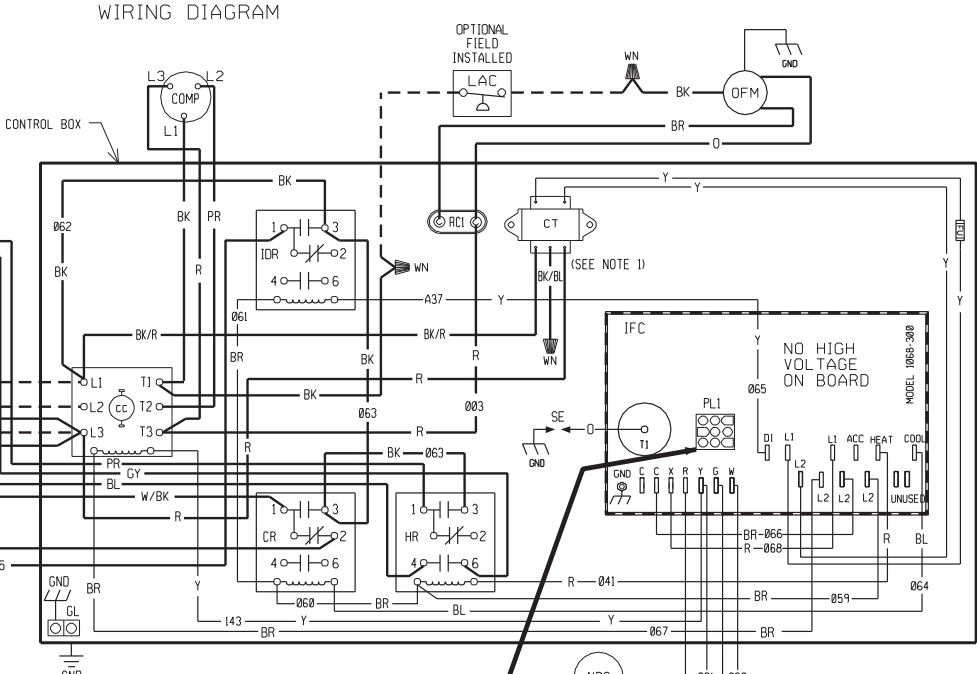


- DIAGNOSTICS**
- FLASH - FAILED TO DETECT OR SUSTAIN FLAME
 - FLASH - PRESSURE SWITCH OR INDUCER PROBLEM DETECTED.
 - FLASH - HIGH LIMIT SWITCH PROTECTION DEVICE OPEN.
 - FLASH - FLAME SENSED AND GAS VALVE NOT ENERGIZED OR FLAME SENSED AND NO "W" SIGNAL.
 - FLASH - FLAME ROLL OUT SWITCH OPEN.

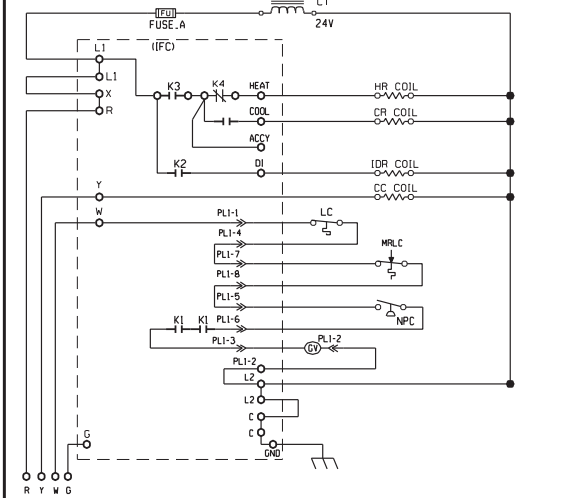
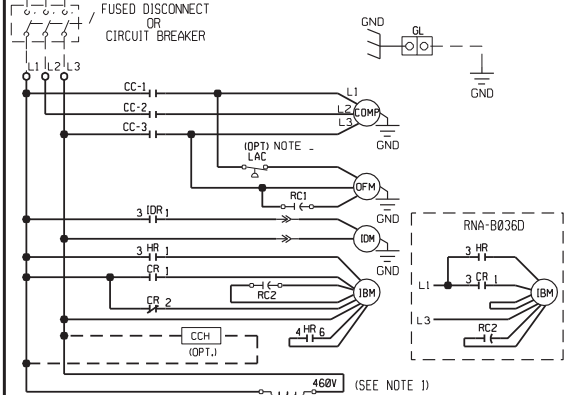
WIRING DIAGRAM

- 5 TON
4 TON
LOW HEAT
HIGH COOL**
- DOUBLE ISOLATED MAIN MOTOR
- RC2
- IBM
- PR 074
GY 077
BL 013
R/W
W/BK
076
075
069
- 6 = LOW
5 = IS2
4 = MED
3 = IS1
2 = HI
1 = L3/COMMON



POWER SUPPLY

WIRING SCHEMATIC



COMPONENT CODE

CC	COMPRESSOR CONTACTOR	LAC	LOW AMBIENT COOLING CONTROL
COMP	COMPRESSOR	LC	LIMIT CONTROL
CT	CONTROL TRANSFORMER	MRLC	MAN. RESET LIMIT CONTROL
CR	COOLING BLOWER RELAY	NPC	NEG. PRESSURE CONTROL
FLMS	FLAME SENSOR	OFM	OUTDOOR FAN MOTOR
FU	FUSE	OPT	OPTIONAL
GL	GROUND LUG	PL	PLUG
GND	GROUND	RC	RUN CAPACITOR
GV	GAS VALVE	SE	SPARK ELECTRODE
HR	HEATING BLOWER RELAY	W	WIRE NUT
IBM	INDOOR BLOWER MOTOR		
IDM	INDUCED DRAFT MOTOR		
IDR	INDUCED DRAFT RELAY		
IFC	INTEGRATED FURNACE CONTROL		
IS	ISOLATED MAIN		

- NOTES:**
- MAIN UNIT TRANSFORMER PRIMARY LEADS: 60 HZ. RED-COMMON BK/R 460V BK/BL 575 (NOT USED)
 - MOTORS & COMPRESSOR THERMALLY PROTECTED.
 - CONNECTORS SUITABLE FOR USE WITH COPPER CONDUCTORS ONLY.
 - CONNECT FIELD WIRING IN GROUND RAIN/TIGHT CONDUIT TO 60 HZ FUSED DISCONNECT.
 - LOW VOLTAGE CIRCUIT IS N.E.C. CLASS 2 WITH A CLASS 2 TRANSFORMER 24 VOLT, 50/60 HERTZ SUPPLIED.
 - REPLACEMENT FUSES MUST BE SAME TYPE & SIZE AS ORIGINAL.

WIRING INFORMATION

LINE VOLTAGE	_____
-FACTORY STANDARD	_____
-FACTORY OPTION	_____
-FIELD INSTALLED	_____
LOW VOLTAGE	_____
-FACTORY STANDARD	_____
-FACTORY OPTION	_____
-FIELD INSTALLED	_____
REPLACEMENT WIRE	_____
-MUST BE THE SAME SIZE AND TYPE OF INSULATION AS ORIGINAL (105 C.M.I.N.)	
WARNING	
-CABINET MUST BE PERMANENTLY GROUNDED AND CONFORM TO I.E.C., N.E.C., C.E.C., NATIONAL WIRING REGULATIONS, AND LOCAL CODES AS APPLICABLE.	

WIRE COLOR CODE

BK	BLACK	O	ORANGE
BR	BROWN	PR	PURPLE
BL	BLUE	R	RED
G	GREEN	W	WHITE
GY	GRAY	Y	YELLOW

ELECTRICAL WIRING DIAGRAM

3.0, 4.0 & 5.0 TON GAS/ELECTRIC W/INTEGRATED FURNACE CONTROL 460V, 3 - PHASE

DR. BY: JRJ APP. BY: DATE: 3-28-05 DWG. NO. 90-23626-10 REV: 03

DWG. NO. 90-23626-10 REV. 03