



# RRNA-C

Parts List  
29-February-2012



*This parts list is current as of the above revision date.  
See <http://www.rheempartslists.net/92-42800-RRNA-C.pdf> for the current revision.*

Package Gas-Electric

# Table of Contents

Model Explanation .....	Page 3
Parts Numbers	
Panels - Miscellaneous.....	Page 4
Electrical Group.....	Page 5
Fan Group .....	Page 5
Blower Group .....	Page 5
Coil Parts .....	Page 6
Compressor Group.....	Page 6
Heat Exchanger-Burner Group .....	Page 7
Gas Controls.....	Page 8
Accessories.....	Page 8
Orifice Selection Chart .....	Page 9
Drawings/Photographs	
Exploded View .....	Page 10
Control Access Panel Detail .....	Page 11
Electrical Control Box .....	Page 12
Blower Assembly.....	Page 13
Evaporator Coil Assembly .....	Page 14
Condenser Coil .....	Page 15
Compressor and Refrigeration Components .....	Page 16
Heat Exchanger Assembly .....	Page 17
Burner Assembly (Inshot - Before Approx F3708) .....	Page 18
Burner Assembly (One-piece - After Approx F3708).....	Page 19
Notes/Disclaimer .....	Page 20

**MODEL NUMBER EXPLANATION**

R	R	N	A	-	C	0	3	6	J	K	1	0	E	A	J	A
1	2	3	4		5		6		7	8		9	10		11	

- |                                                                                                                                                                                                                                                                                                                                                                                                                                                             |                                                                                                                                                                                                                                                                                                                                          |
|-------------------------------------------------------------------------------------------------------------------------------------------------------------------------------------------------------------------------------------------------------------------------------------------------------------------------------------------------------------------------------------------------------------------------------------------------------------|------------------------------------------------------------------------------------------------------------------------------------------------------------------------------------------------------------------------------------------------------------------------------------------------------------------------------------------|
| <p>(1) <b>TRADENAME IDENTIFICATION</b></p> <p>(2) <b>PRODUCT CLASSIFICATION</b><br/>R = Rooftop</p> <p>(3) <b>EFFICIENCY DESIGNATION</b><br/>N = 13 SEER</p> <p>(4) <b>DESIGN SERIES</b></p> <p>(5) <b>TECHNICAL VARIATIONS</b></p> <p>(6) <b>COOLING CAPACITY (BTU/HR)</b><br/>048 = 48,000<br/>060 = 60,000</p> <p>(7) <b>ELECTRICAL DESIGNATION</b><br/>J = 208-230V/1/60<br/>C = 208-230V/3/60</p> <p>(8) <b>DRIVE PACKAGE</b><br/>K = Direct Drive</p> | <p>(9) <b>HEATING CAPACITY (MBH)</b><br/>06 = 60,000<br/>08 = 80,000<br/>10 = 100,000</p> <p>(10) <b>IGNITION SYSTEM</b><br/>E = Electric<br/>X = Electric w/NOX</p> <p>(11) <b>OPTION CODES</b><br/>AJA = Stainless Steel<br/>Heat Exchanger<br/>AKA = Sideflow Option<br/>BVA = Sideflow w/<br/>Stainless Steel<br/>Heat Exchanger</p> |
|-------------------------------------------------------------------------------------------------------------------------------------------------------------------------------------------------------------------------------------------------------------------------------------------------------------------------------------------------------------------------------------------------------------------------------------------------------------|------------------------------------------------------------------------------------------------------------------------------------------------------------------------------------------------------------------------------------------------------------------------------------------------------------------------------------------|

**SERIAL NUMBER EXPLANATION**

1	R	A	1	2	3	4	A	D	A	A	F	2	6	0	6	0	0	0	1
1		2		3			4	5	6	7	8		9	10		11			

- |                                                                                                                                                                                                                          |                                                                                                                                                                             |
|--------------------------------------------------------------------------------------------------------------------------------------------------------------------------------------------------------------------------|-----------------------------------------------------------------------------------------------------------------------------------------------------------------------------|
| <p>(1) <b>GAS CODE</b></p> <p>(2) <b>BLOWER CONTROL BOARD</b></p> <p>(3) <b>COMPRESSOR IDENTIFICATION NUMBER</b></p> <p>(4) <b>IGNITION DEVICE</b></p> <p>(5) <b>INDUCER BLOWER</b></p> <p>(6) <b>HEAT EXCHANGER</b></p> | <p>(7) <b>TECHNOLOGY VARIATIONS</b></p> <p>(8) <b>PLANT:</b><br/>F = Fort Smith, AR</p> <p>(9) <b>WEEK</b></p> <p>(10) <b>YEAR</b></p> <p>(11) <b>PRODUCTION NUMBER</b></p> |
|--------------------------------------------------------------------------------------------------------------------------------------------------------------------------------------------------------------------------|-----------------------------------------------------------------------------------------------------------------------------------------------------------------------------|

No.	Notes	MODEL TECHNICAL VARIATION COOLING CAPACITY	RRNA C 048	RRNA C 060
<b>PANELS, MISCELLANEOUS PARTS</b>				
1		Front Base Pan	AS-58628-07	AS-58628-07
2		Base Rail (2)	AE-58562-03	AE-58562-03
3		Base Rail (2)	AE-58562-04	AE-58562-04
4		Back Base Pan	AS-58607-64	AS-58607-64
5		Blower Shelf	AS-58630-01	AS-58630-01
6		Blower Shelf Transition	AS-58607-19	AS-58607-19
7		Divider Panel	AS-58607-03	AS-58607-03
8		Bulkhead Assembly	AS-58607-57	AS-58607-57
9		Exhaust Hood	AS-58629-01	AS-58629-01
10		Combustion Air Inlet Hood	AE-58599-01	AE-58599-01
11		Corner Post	AS-58607-46A	AS-58607-46A
12		Blower Access Panel	AS-58607-47A	AS-58607-47A
13		End Panel	AS-58607-48A	AS-58607-48A
14		Supply Cover - Downflow	AS-58607-06	AS-58607-06
14		Supply Cover - Side Option "AKA"	AS-58607-35A	AS-58607-35A
15		Return Cover - Downflow	AS-58607-05	AS-58607-05
15		Return Civer - Side Option "AKA"	AS-58607-34A	AS-58607-34A
16		Top Panel	AS-58607-54A	AS-58607-54A
17		Grille	95-100906-08	95-100906-08
18		Filter Access Panel	AS-58607-49A	AS-58607-49A
19		Condenser Louver Panel	AS-58607-56	AS-58607-56
20		Center Post	AE-58569-07	AE-58569-07
21		Control Access Panel	AS-58607-50A	AS-58607-50A
22		Control Box - (w/o components)	AE-58597-01	AE-58597-01
23		Control Box Cover	AE-58598-01	AE-58598-01
24		Furnace Shelf	AS-58607-11	AS-58607-11
25		Burner Floor	AE-58594-01	AE-58594-01
26		Exhaust Transition	AS-58607-36	AS-58607-36
27		Bulkhead Valve (2)	61-22369-04	61-22369-04
28		Bulkhead Valve Locknut (2)	63-22368-01	63-22368-01
		Bulkhead Valve Cap (2)	83-100635-01	83-100635-01
		Heat Exchanger Tube Support	AE-58590-01	AE-58590-01
		Grommet - Gas Supply Piping	56-22114-01	56-22114-01

No.	Notes	MODEL TECHNICAL VARIATION COOLING CAPACITY ELECTRICAL DESIGNATION	RRNA	RRNA	RRNA	RRNA
			C 048 C	C 048 J	C 060 C	C 060 J
<b>ELECTRICAL GROUP</b>						
31	Stk	Induced Draft Blower w/Gasket	70-23641-01	70-23641-01	70-23641-01	70-23641-01
		Gasket - Induced Draft Blower	68-23643-01	68-23643-01	68-23643-01	68-23643-01
33	Stk	Contacto	42-22464-01	42-42728-03	42-22464-01	42-42728-03
34	Stk	Pressure Switch	42-24335-20	42-24335-20	42-24335-20	42-24335-20
35	Stk	Transformer	46-18788-05	46-18788-05	46-18788-05	46-18788-05
36		Ground Lug	45-19000-01	45-19000-01	45-19000-01	45-19000-01
39		Integrated Furnace Control Board (IFC)	See Gas Controls			
57	Stk	Blower Relay	42-101208-02	42-101208-02	42-101208-02	42-101208-02
73		Capacitor - Compressor/Fan	See Compressor Group			
		Capacitor - Blower Motor	See Blower Group			
84		Limit Control - Blower Shelf	See Heat Exchanger-Burner Group			
88		Limit Control - Roll Out	See Heat Exchanger-Burner Group			
		Compressor Wiring Harness (Molded Plug)	See Compressor Group			
		Wiring Harness - 9 pin from IFC to 9 insulated terminals	AS-102393-02	AS-102393-02	AS-102393-02	AS-102393-02
		Leadwire - from Flame Sensor to 9 pin Wiring Harness Plug	45-25323-02	45-25323-02	45-25323-02	45-25323-02
		Capacitor Adaptor Plate (2 in. round capacitor)	AE-54609-01	AE-54609-01	AE-54609-01	AE-54609-01
		Capacitor Adaptor Plate (2 in. x 1-1/4 in. oval capacitor)	AE-54609-02	AE-54609-01	AE-54609-02	AE-54609-02

No.	Notes	MODEL TECHNICAL VARIATION COOLING CAPACITY ELECTRICAL DESIGNATION	RRNA	RRNA	RRNA	RRNA
			C 048 C	C 048 J	C 060 C	C 060 J
<b>FAN GROUP</b>						
37	Stk	Fan Motor	51-100998-19	51-100998-19	51-100998-19	51-100998-19
38	Stk	Fan Blade	70-23594-02	70-23594-02	70-23594-02	70-23594-02
	Stk	Capacitor - Fan Motor	43-100496-12	N/A	43-100496-12	N/A
73	Stk	Capacitor - Fan/Compressor	N/A	43-101662-45	N/A	43-26271-30

No.	Notes	MODEL TECHNICAL VARIATION COOLING CAPACITY ELECTRICAL DESIGNATION	RRNA	RRNA		
			C 048 C/J	C 060 C/J		
<b>BLOWER GROUP</b>						
	Stk	Blower Assembly (Includes items 51-56)	AS-58662-28	AS-58662-43		
51		Blower Housing	AS-58619-02	N/A		
51		Blower Housing w/Wheel	N/A	70-100840-02		
51a		Transition	N/A	AE-102207-05		
51b		Transition - Back	N/A	AE-102207-06		
52	Stk	Blower Wheel	70-18625-03	703016		
53		Cut-Off Tabulation	AE-64401-06	N/A		
54	Stk	Motor	51-101920-05	51-101984-09		
55		Motor Band	70-19927-03	70-19927-03		
56		Motor Arm Assembly (3)	70-19929-09	70-19929-09		
57		Blower Relay	See Electrical Group			
	4	Resistor/Wire Assembly (Before F2608) - See Note 4	44-102333-01	44-102333-01		

No.	Notes	MODEL TECHNICAL VARIATION COOLING CAPACITY	RRNA C 048	RRNA C 060		
<b>COIL GROUP</b>						
<b>CONDENSER COIL:</b>						
61	Stk	Condenser Coil	AS-102688-03	AS-101996-01		
		Distributor Assembly - 2 Way	AS-102387-04	AS-101689-01		
		Distributor - (Two way - 3/8 in. to 3/8 in.)	83-17467-02	83-17467-02		
		Distributor Assembly - 3 Way	AS-102387-05	N/A		
		Distributor - (Three way - 1/2 in. to 3/8 in.)	83-17467-06	N/A		
		Access Valve Body (2)	61-18542-01	61-18542-01		
		Access Valve Core (2)	61-18551-01	61-18551-01		
<b>EVAPORATOR COIL:</b>						
62	Stk	Evaporator Coil w/Drain Pan	AS-102660-01	AS-102660-01		
63		Drain Pan Grommet	56-23601-01	56-23601-01		
64	Stk	Drain Pan - Before F4507	N/A	AS-58607-32		
64	Stk	Drain Pan - After F4507	68-23602-02	68-23602-02		
64a		Drain Trap (Attached to Drain Pan)	68-23603-01	68-23603-01		
65		Auxiliary Drain Pipe	AE-58611-01	AE-58611-01		
66	Stk	Flowcheck Distributor/Piston Assembly	61-102108-17	61-102108-17		
67	Stk	TXV	61-21922-75	61-21922-102		
68		Condensate Shield	AE-101751-02	AE-101751-02		
68a		Condensate Barrier	AE-100544-02	AE-100544-02		

No.	Notes	MODEL TECHNICAL VARIATION COOLING CAPACITY ELECTRICAL DESIGNATION	RRNA C 048 C	RRNA C 048 J	RRNA C 060 C	RRNA C 060 J
<b>COMPRESSOR GROUP</b>						
<b>Compressor ID:</b>			<b>7830</b>	<b>7829</b>	<b>7226</b>	<b>7227</b>
71	Stk	Compressor	55-100835-29S	55-100835-11S	55-100835-19S	55-100835-06S
72		Grommet (4)	56-18518-06	56-18518-06	56-18518-06	56-18518-06
	Stk	Compressor Wiring Harness (Molded Plug)	45-100834-80	45-100834-80	45-100834-80	45-100834-80
73	Stk	Capacitor - Compressor/Fan	See Fan Group			

No.	Notes	MODEL	RRNA	RRNA	RRNA
		TECHNICAL VARIATION	C	C	C
		HEATING CAPACITY	06	08	10
<b>HEAT EXCHANGER, BURNER / MANIFOLD</b>					
81	Stk	Heat Exchanger (Includes Center Panel and Turbulators)	AS-58632-02	AS-58632-03	AS-58632-04
82		Turbulators	AE-58591-02 (3)	AE-58591-02 (4)	AE-58591-02 (5)
		Collector Box Gasket	68-23644-01	68-23644-01	68-23644-01
83		Collector Box	AE-58588-01	AE-58588-01	AE-58588-01
84	Stk	Limit Control - Blower Shelf	47-102436-01	47-102436-01	47-102436-01
85		NOX Insert Assembly	75-23684-01 (3)	75-23684-01 (4)	75-23684-01 (5)
86		Lower Burner Shield (NOX)	AE-59148-01	AE-59148-01	AE-59148-01
87		Radiation Shield	AE-58595-01	AE-58595-01	AE-58595-01
88	Stk,3	Limit - Manual Reset (Burner Compartment) - Before approximate Date Code F3708 (See Note 3)	47-100241-01	47-100241-01	47-100241-01
88	Stk,3	Limit - Manual Reset (Burner Compartment) - After approximate Date Code F3708 (See Note 3)	47-22861-02	47-22861-02	47-22861-02
89	Stk,3	Burner Tube w/Shield (Inshot) - Before approximate Date Code F3708 (See Note 3)	75-22840-02 (3)	75-22840-02 (3)	75-22840-02 (5)
89	Stk,3	Burner Assembly (One-piece) - After approximate Date Code F3708 (See Note 3)	AS-60993-03	AS-60993-04	AS-60993-05
90	3	Burner Support Bracket (2) - Before approximate Date Code F3708 (See Note 3)	AE-61588-01	AE-61588-01	AE-61588-01
90	3	Burner Support Bracket (2) - After approximate Date Code F3708 (See Note 3)	AE-61588-02	AE-61588-02	AE-61588-02
91	3	Burner Support - (Holds Burners between Burner Support Brackets) - Before approximate Date Code F3708 (See Note 3)	AE-58592-02	AE-58592-02	AE-58592-02
91	3	Burner Support - (Holds Burners between Burner Support Brackets) - After approximate Date Code F3708 (See Note 3)	AE-102438-01	AE-102438-01	AE-102438-01
97	3	Bushing - After approximate Date Code F3708 (See Note 3)	45-42519-01	45-42519-01	45-42519-01
	Stk,2,3	One-piece Burner Retrofit Kit - See Note 2	AS-60993-83	AS-60993-84	AS-60993-85
92	Stk	Manifold Assembly	81-101154-01	81-101154-01	81-101154-01
93		Burner Orifice - Natural Gas	See Orifice Selection Chart		
93		Burner Orifice - LP	See Orifice Selection Chart		
93		Number of Orifices	(3)	(4)	(5)
94		Square Head Plug (Used on Manifold to plug extra holes)	81-23593-01 (2)	81-23593-01 (1)	N/A
95	Stk	Flame Sensor	62-23543-02	62-23543-02	62-23543-02
96	Stk	Ignition Electrode/Cable Assembly	62-23556-01	62-23556-01	62-23556-01

No.	Notes	MODEL	RRNA	RRNA	RRNA	RRNA	RRNA
		TECHNICAL VARIATION GAS CODE	C 1R	C 1S	C 1X	C 2A	C 2G
<b>GAS CONTROLS</b>							
39	Stk	Integrated Furnace Control Board (IFC)	62-23599-02	62-23599-02	62-23599-02	62-23599-02	62-23599-04
	Stk	Gas Valve - Natural Gas	60-22447-07	60-23490-03	60-23490-01	60-24290-01	60-100394-02
	Stk,1	Gas Valve - LP	See Note 1	See Note 1	See Note 1	See Note 1	See Note 1
	Stk	LP Conversion Kit	EP-85H	EP-84W	EP-84W	EP-84W	EP-85H

No.	Notes	MODEL	RRNA				
		SIZE	ALL				
<b>OPTIONS AND ACCESSORIES</b>							
		Economizer - Downflow, 3 Position	RXRE-CAA30				
		Economizer - Downflow, Fully Modulating	RXRD-CAM10				
		Economizer - Fully Modulating (Horizontal Application)	RXRD-CCM10				
		Fresh Air Damper - Fixed, 35%	RXRF-FAA1				
		Fresh Air Damper - Motorized, 35%	RXRF-FAB1				
		Filter Kit	RXRY-B01				
		Low Ambient Control	RXRZ-A18				
		High Pressure Control	RXAB-A02				
		Low Pressure Control	RXAC-A02				
		Canadian High Altitude Kit - Natural Gas Only	RXRX-AH01				



**PACKAGE EQUIPMENT - ORIFICE SELECTION CHART - NATURAL GAS**

**CAUTION:** Selection of the correct Natural Gas Orifice requires the following information for the specific installation:

- 1) Furnace Input Rating (BTU/HR)
- 2) Number of Burners
- 2) Altitude (ft.)

For detailed information and instructions for Orifice selection, see the Gas Furnace LP Conversion Kit Index 92-21519-47 and the latest edition of the National Fuel Gas Code Handbook, or the National Standard of Canada, Natural Gas and Propane Installation Code, CAN B149.1.

**CAUTION:** This information is provided for replacement purposes only. Conversion for operation at High Altitude must be done using the kit specified on the product specification sheet for the unit.

NOTE: This Orifice sizing chart is based on a Natural Gas heating value of 1075 BTU/cu. ft and a pressure setting of 3.5 in. water column.

NOTE: Factory installed orifices are calculated and sized based on a Natural Gas heating value of 1075 BTU/cu. ft. and an elevation of 0 - 2000 ft.

Furnace Input Rating (BTU/HR)	Canadian High Altitude Derated Input (BTU/HR)	Number of Burners	Elevation (ft.)					
			Country					
			0 - 2000 U.S.	2001 - 4000 U.S.	4001 - 6000 U.S.	8000+ U.S.	0 - 2000 Canada	2001 - 4500 Canada
40,000	36,000	2	62-22175-45	62-22175-47	62-22175-48	62-22175-49	62-22175-45	62-22175-15
60,000	54,000	3	62-22175-45	62-22175-47	62-22175-48	62-22175-49	62-22175-45	62-22175-15
72,000	N/A	4	62-22175-15	62-22175-49	62-22175-50	62-22175-51	62-22175-15	N/A
80,000	72,000	4	62-22175-45	62-22175-47	62-22175-48	62-22175-49	62-22175-45	62-22175-15
90,000	N/A	5	62-22175-15	62-22175-49	62-22175-50	62-22175-51	62-22175-15	N/A
100,000	90,000	5	62-22175-45	62-22175-47	62-22175-48	62-22175-49	62-22175-45	62-22175-15
120,000	108,000	6	62-22175-45	62-22175-47	62-22175-48	62-22175-49	62-22175-45	62-22175-15
135,000	121,500	6	62-22175-44	62-22175-45	62-22175-47	62-22175-48	62-22175-44	62-22175-45
150,000	135,000	6	62-22175-42	62-22175-43	62-22175-44	62-22175-45	62-22175-42	62-22175-44
180,000	N/A	9	62-22175-45	62-22175-47	62-22175-48	62-22175-49	62-22175-45	N/A
210,000	N/A	9	62-22175-43	62-22175-44	62-22175-45	62-22175-47	62-22175-43	N/A
210,000	N/A	10	62-22175-45	62-22175-47	62-22175-48	62-22175-49	62-22175-45	N/A
225,000	202,500	9	62-22175-42	62-22175-43	62-22175-44	62-22175-45	62-22175-42	62-22175-44
250,000	225,000	10	62-22175-42	62-22175-43	62-22175-44	62-22175-45	62-22175-42	62-22175-44
252,000	225,000	9	62-22175-40	62-22175-42	62-22175-43	62-22175-44	62-22175-40	62-22175-42
252,000	N/A	12	62-22175-45	62-22175-47	62-22175-48	62-22175-49	62-22175-45	N/A
290,000	N/A	14	62-22175-45	62-22175-47	62-22175-48	62-22175-49	62-22175-45	N/A
300,000	270,000	12	62-22175-42	62-22175-43	62-22175-44	62-22175-45	62-22175-42	62-22175-44
330,000	N/A	14	62-22175-43	62-22175-44	62-22175-45	62-22175-47	62-22175-43	N/A
350,000	315,000	14	62-22175-42	62-22175-43	62-22175-44	62-22175-45	62-22175-42	62-22175-44
400,000	360,000	14	62-22175-40	62-22175-42	62-22175-43	62-22175-44	62-22175-40	62-22175-42

**PACKAGE EQUIPMENT - ORIFICE SELECTION CHART - LP**

**CAUTION:** Selection of the correct LP Orifice requires the following information for the specific installation:

- 1) Furnace Input Rating (BTU/HR)
- 2) Number of Burners
- 2) Altitude (ft.)

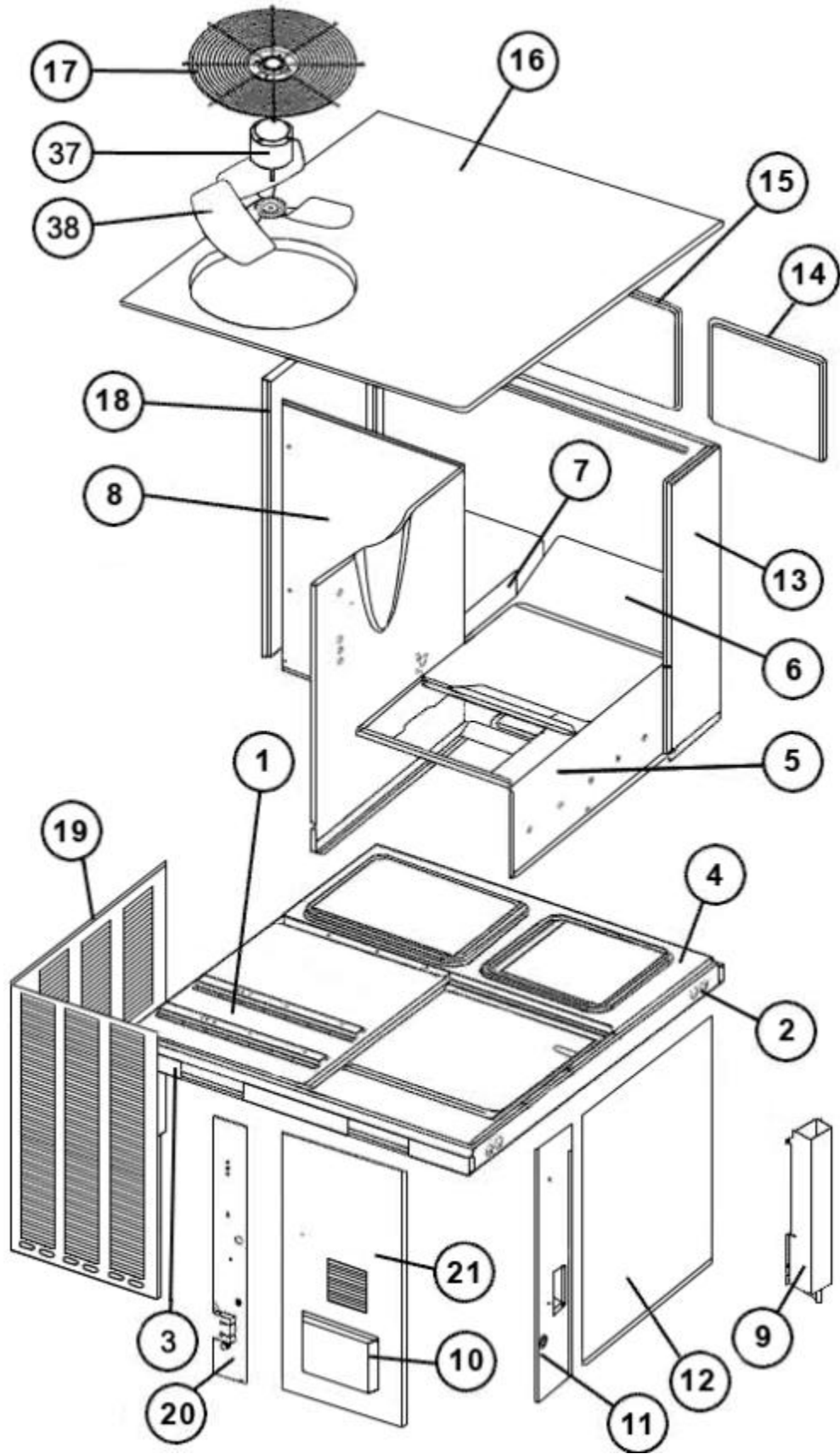
For detailed information and instructions for Orifice selection, see the Gas Furnace LP Conversion Kit Index 92-21519-47 and the latest edition of the National Fuel Gas Code Handbook, or the National Standard of Canada, Natural Gas and Propane Installation Code, CAN B149.1.

**CAUTION:** This information is provided for replacement purposes only. Conversion to LP or for operation at High Altitude should be done using the kit(s) specified on the product specification sheet for the unit.

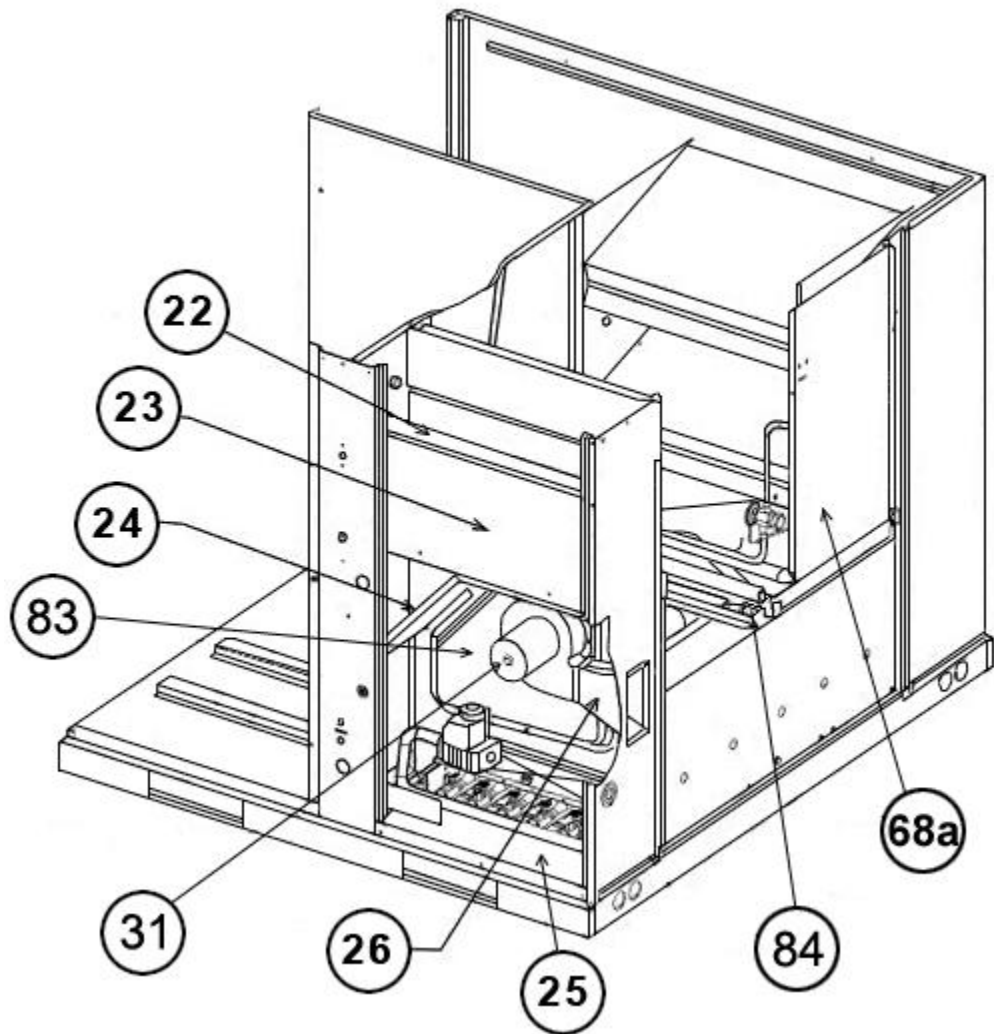
NOTE: This Orifice sizing chart is developed using the specified pressure setting of 10 in. water column instead of the 11.0 in water column used by the NFG and CANB149.1.

NOTE: Orifices supplied in the LP Conversion Kit are calculated and sized based on a heating value of 2500 BTU/cu. ft. and an elevation of 0 - 2000 ft.

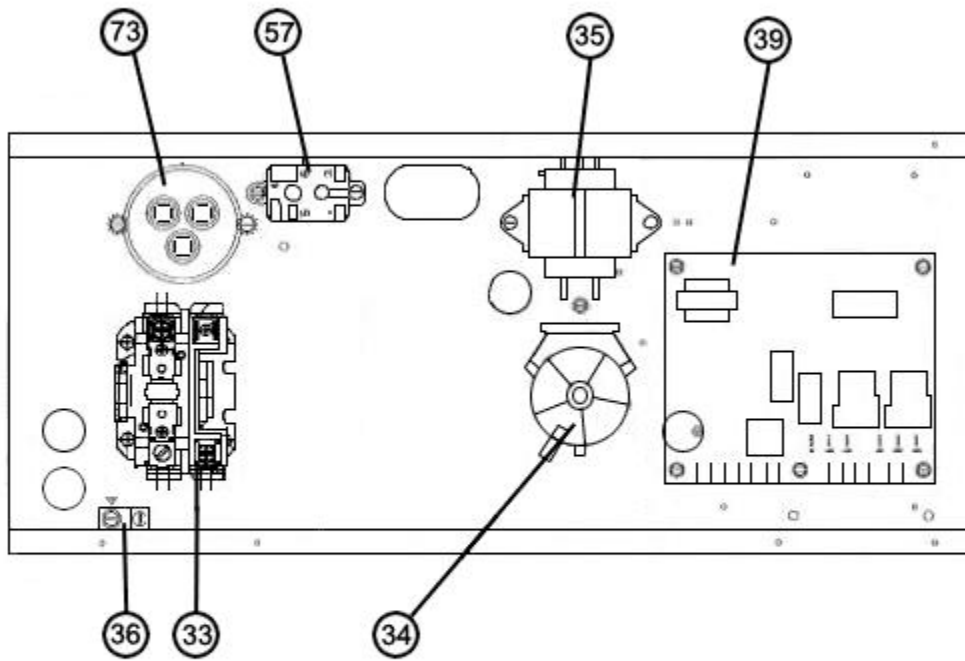
Furnace Input Rating (BTU/HR)	Canadian High Altitude Derated Input (BTU/HR)	Number of Burners	Elevation (ft.)					
			Country					
			0 - 2000 U.S.	2001 - 4000 U.S.	4001 - 6000 U.S.	8000+ U.S.	0 - 2000 Canada	2001 - 4500 Canada
40,000	36,000	2	62-22175-55	62-22175-55	62-22175-56	62-22175-56	62-22175-55	62-22175-13
60,000	54,000	3	62-22175-55	62-22175-55	62-22175-56	62-22175-56	62-22175-55	62-22175-13
72,000	N/A	4	62-22175-13	62-22175-57	62-22175-57	62-22175-59	62-22175-13	N/A
80,000	72,000	4	62-22175-55	62-22175-55	62-22175-56	62-22175-56	62-22175-55	62-22175-13
90,000	N/A	5	62-22175-13	62-22175-57	62-22175-57	62-22175-59	62-22175-13	N/A
100,000	90,000	5	62-22175-55	62-22175-55	62-22175-56	62-22175-56	62-22175-55	62-22175-13
120,000	108,000	6	62-22175-55	62-22175-55	62-22175-56	62-22175-56	62-22175-55	62-22175-13
135,000	121,500	6	62-22175-54	62-22175-55	62-22175-55	62-22175-56	62-22175-54	62-22175-55
150,000	135,000	6	62-22175-54	62-22175-55	62-22175-55	62-22175-56	62-22175-54	62-22175-54
180,000	N/A	9	62-22175-55	62-22175-55	62-22175-56	62-22175-56	62-22175-55	N/A
210,000	N/A	9	62-22175-54	62-22175-55	62-22175-55	62-22175-56	62-22175-54	N/A
210,000	N/A	10	62-22175-55	62-22175-55	62-22175-56	62-22175-56	62-22175-55	N/A
225,000	202,500	9	62-22175-54	62-22175-55	62-22175-55	62-22175-56	62-22175-54	62-22175-54
250,000	225,000	10	62-22175-54	62-22175-55	62-22175-55	62-22175-56	62-22175-54	62-22175-54
252,000	225,000	9	62-22175-53	62-22175-54	62-22175-54	62-22175-55	62-22175-53	62-22175-54
252,000	N/A	12	62-22175-55	62-22175-55	62-22175-56	62-22175-56	62-22175-55	N/A
290,000	N/A	14	62-22175-55	62-22175-55	62-22175-56	62-22175-56	62-22175-55	N/A
300,000	270,000	12	62-22175-54	62-22175-55	62-22175-55	62-22175-56	62-22175-54	62-22175-54
330,000	N/A	14	62-22175-54	62-22175-55	62-22175-55	62-22175-56	62-22175-54	N/A
350,000	315,000	14	62-22175-54	62-22175-55	62-22175-55	62-22175-56	62-22175-54	62-22175-54
400,000	360,000	14	62-22175-53	62-22175-54	62-22175-54	62-22175-55	62-22175-53	62-22175-54



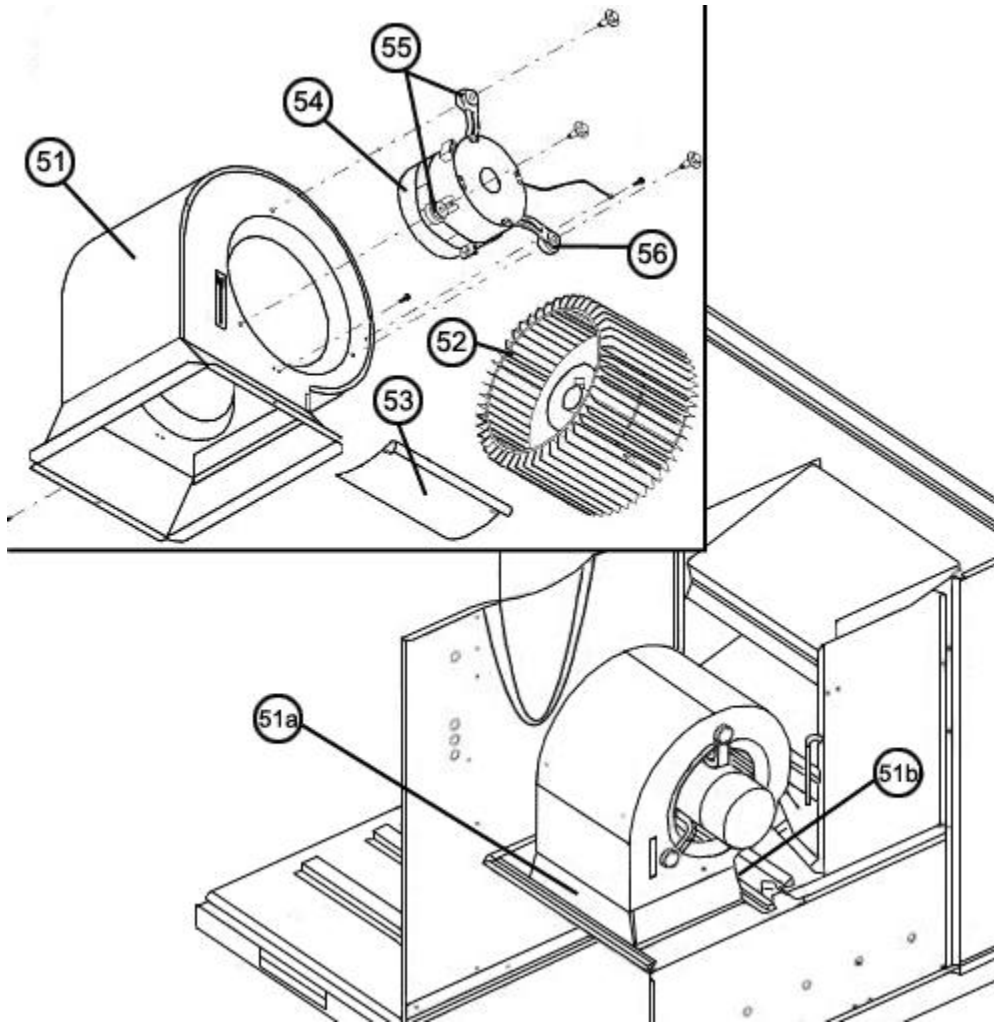
Exploded View



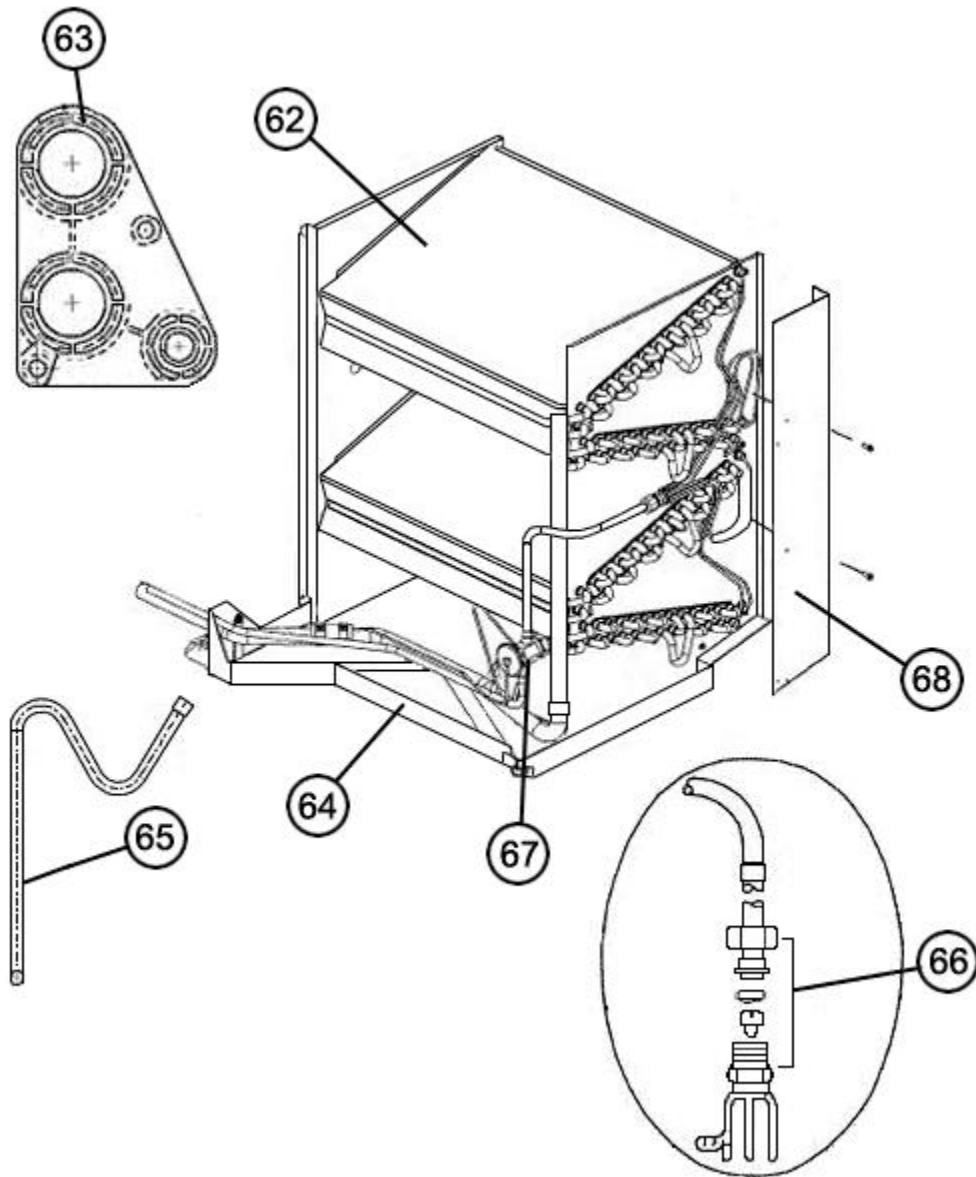
Control Access Panel Detail



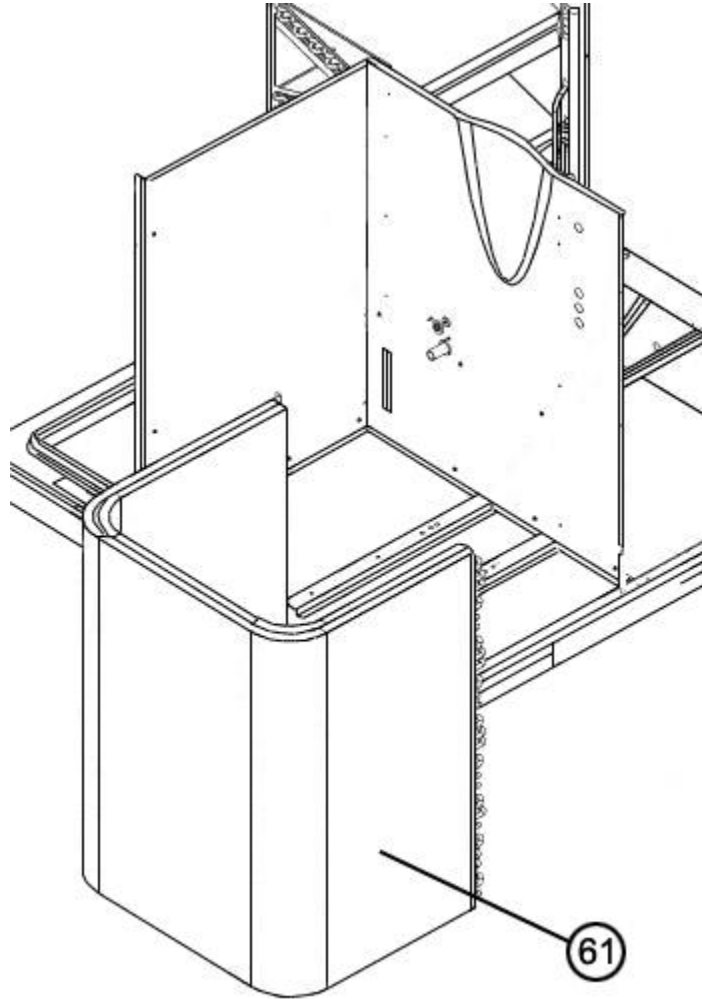
Electrical Control Box



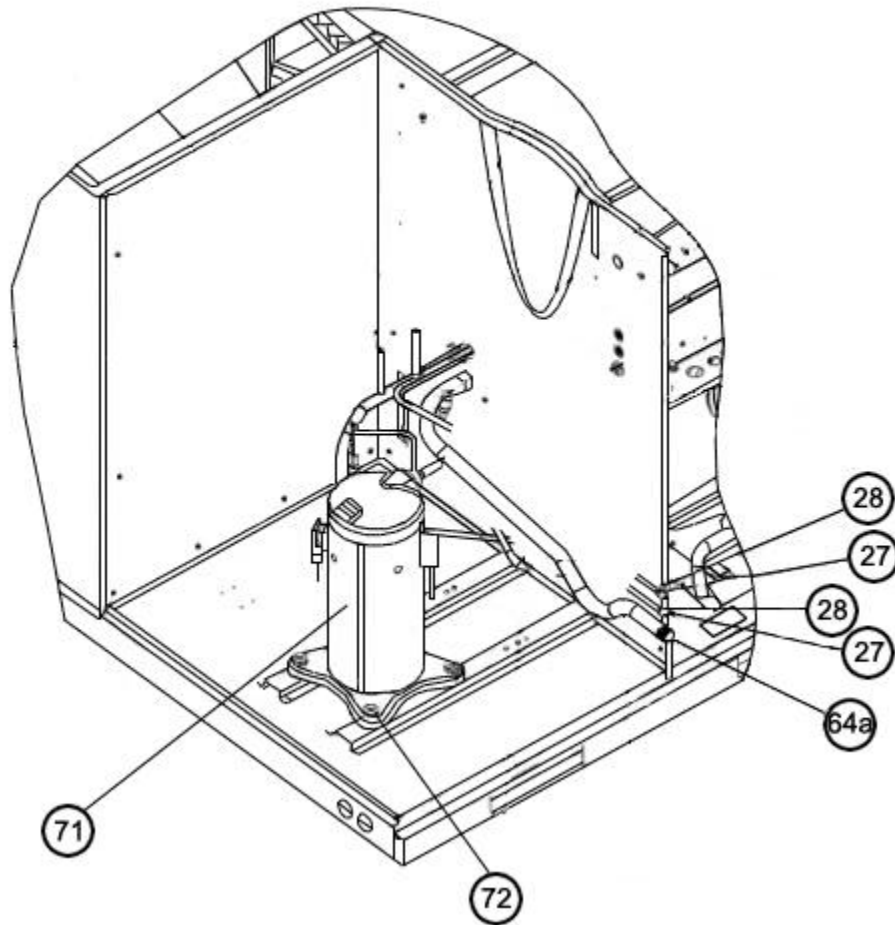
Blower Assembly



Evaporator Coil Assembly

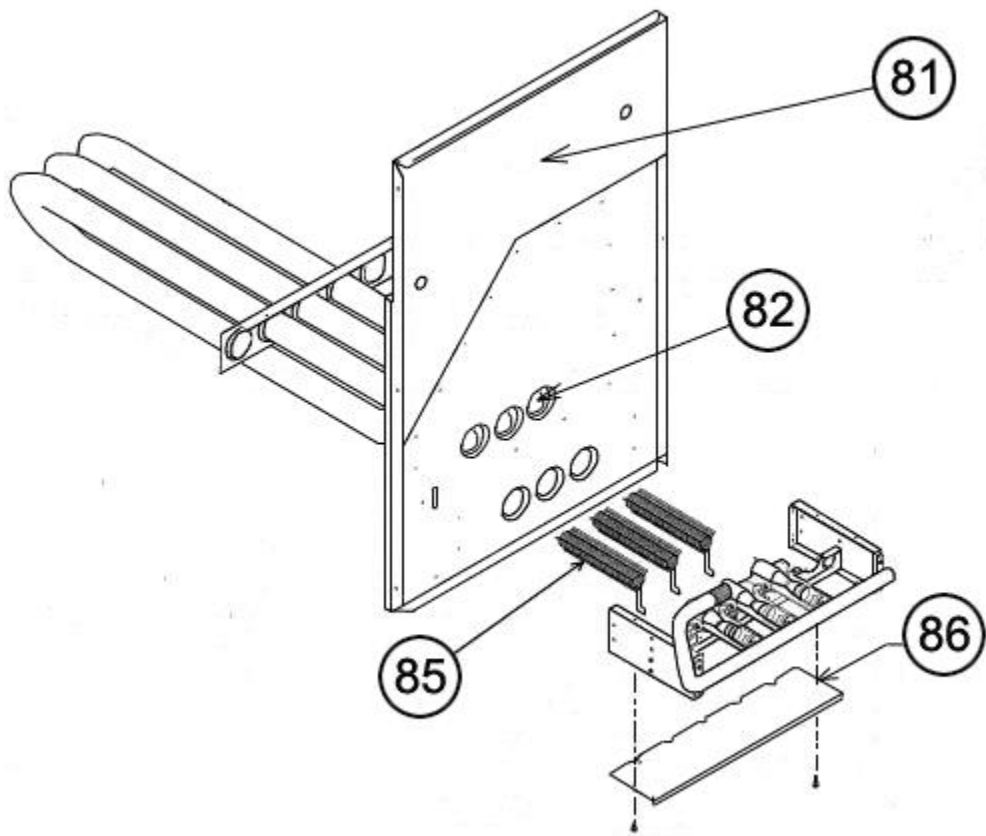


Condenser Coil

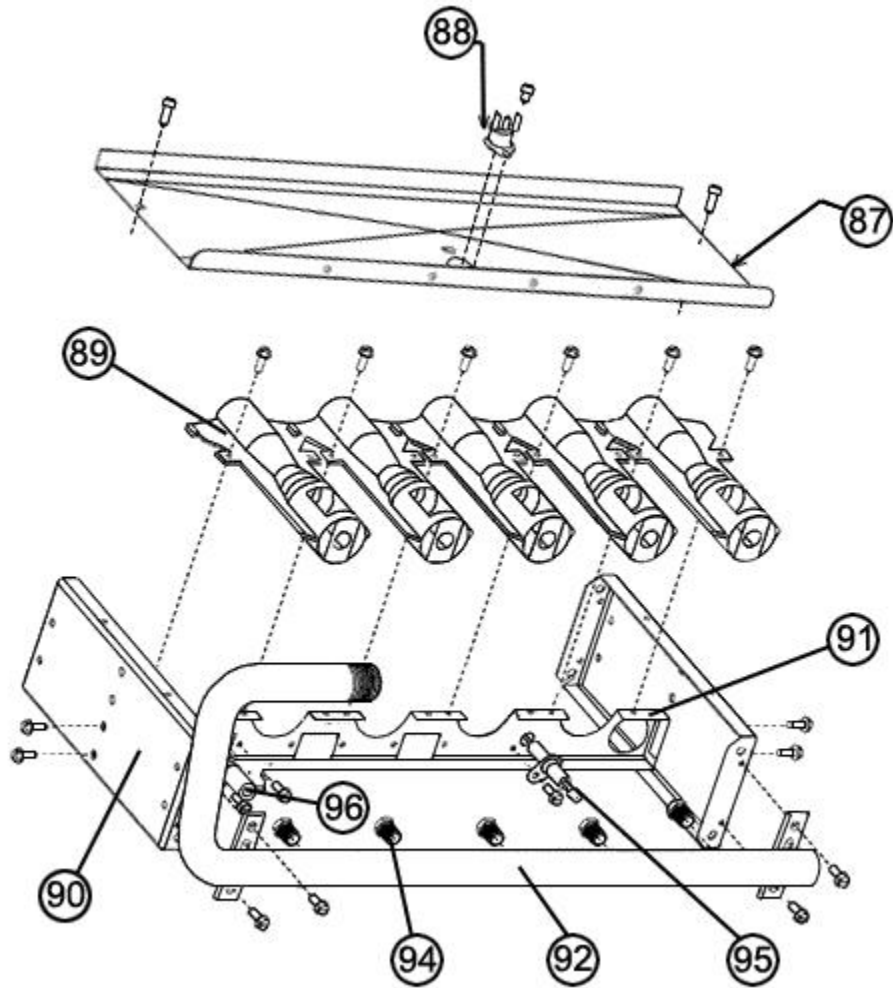


Compressor and Refrigeration Components

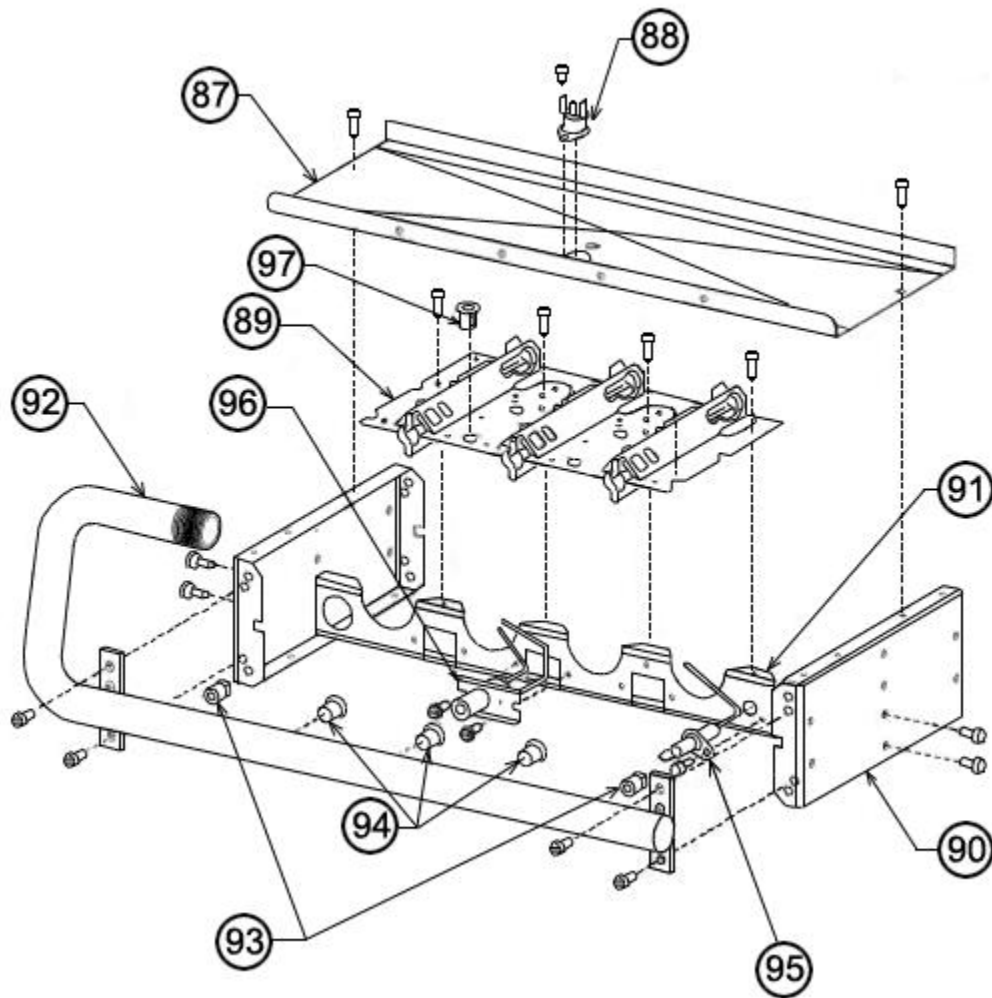




Heat Exchanger Assembly



Burner Assembly (Inshot - Before Approx F3708)



Burner Assembly (One-piece - After Approx F3708)

# NOTES

Stk It is recommended that stock be maintained for this part.

N/A Not Applicable

- 1 Order Gas Valve for Natural Gas along with LP Conversion Kit.
- 2 This kit includes all necessary items to retrofit units using individual burner tubes with the later one-piece burner design.
- 3 The date code shown is approximate. It should be confirmed by the servicing technician as to whether the unit was manufactured using the later one-piece burner design or the earlier inshot individual burner tubes. Components are NOT interchangeable.
- 4 Units manufactured after F2608 do not require resistor (44-102333-01) for blower motor.

**DISCLAIMER:** This document is intended to provide general replacement parts information to aid qualified service personnel in the repair of these models. The complete Model and Serial Number of the unit under repair should be specified when selecting and ordering replacement parts. Specifications and illustrations are subject to change without notice. Document 92-42800-RRNA-C supersedes all previous parts lists for these models. See <http://www.rheempartslists.net/92-42800-RRNA-C> for the latest revision of this document. The manufacturer assumes no obligation for errors or omissions. Service personnel must verify the proper and safe operation of equipment after the replacement of any original components.