



RQPW-B

Parts List
08-May-2014



*This parts list is current as of the above revision date.
See <http://www.rheempartslists.net/92-42800-RQPW-B.pdf> for the current revision.*

Package Dual Fuel

Table of Contents

Model Explanation	Page 3
Parts Numbers	
Panels - Miscellaneous	Page 4
Electrical Group	Page 5
Fan Group	Page 6
Blower Group	Page 6
Coil Parts	Page 7
Compressor Group	Page 7
Heat Exchanger-Burner Group	Page 8
Gas Controls	Page 9
Accessories	Page 9
Orifice Selection Chart	Page 10
Drawings/Photographs	
Exploded View	Page 11
Control Access Panel Detail	Page 12
Control Box Assembly	Page 13
Blower Assembly	Page 14
EvaporatorCoil Assembly	Page 15
Condenser Coil	Page 16
Compressor and Refrigeration Components	Page 17
Heat Exchanger Assembly	Page 18
Burner Assembly (Inshot - Before Approx F3708)	Page 19
Burner Assembly (One-piece - After Approx F3708)	Page 20
Notes/Disclaimer	Page 21

MODEL NUMBER EXPLANATION

R	Q	P	W	-	B	0	3	6	J	K	10	E	B	V	A
(1)	(2)	(3)	(4)		(5)		(6)		(7)	(8)	(9)	(10)		(11)	

- | | |
|-----------------------------------------------------------------------------------------------------------------------------------------------------------------------------------------------------------------------------------------------------------------------------------------------------------------------------------------------------------------------------------------------------------------------------------------------------------------------------------------------------------------------------------------------------|---------------------------------------------------------------------------------------------------------------------------------------------------------------------------------------------------------------------------------------------------------------------------------------------------------------------------------------------|
| <p>(1) TRADENAME IDENTIFICATION</p> <p>(2) PRODUCT CLASSIFICATION
Q = HEAT PUMP - SELF CONTAINED</p> <p>(3) EFFICIENCY DESIGNATION
P = 14 SEER</p> <p>(4) DESIGN SERIES
W = DUAL FUEL</p> <p>(5) TECHNICAL VARIATIONS</p> <p>(6) COOLING CAPACITY (BTU/HR)
024 = 24,000 042 = 42,000
025 = 24,000 048 = 48,000
030 = 30,000
036 = 36,000</p> <p>(7) ELECTRICAL DESIGNATION
J = 208/230V - 1 PH - 60 HZ.
C = 208/230V - 3 PH - 60 HZ.</p> | <p>(8) DRIVE PACKAGE
K = DIRECT DRIVE</p> <p>(9) HEATING CAPACITY - (MBH)
04 = 40,000
06 = 60,000
08 = 80,000
10 = 100,000</p> <p>(10) IGNITION SYSTEM
E = ELECTRIC
X = ELECTRIC NOX</p> <p>(11) OPTION CODES
BVA = SIDEFLOW W/

STAINLESS STEEL
HEAT EXCHANGER</p> |
|-----------------------------------------------------------------------------------------------------------------------------------------------------------------------------------------------------------------------------------------------------------------------------------------------------------------------------------------------------------------------------------------------------------------------------------------------------------------------------------------------------------------------------------------------------|---------------------------------------------------------------------------------------------------------------------------------------------------------------------------------------------------------------------------------------------------------------------------------------------------------------------------------------------|

SERIAL NUMBER EXPLANATION (Units Produced before Nov. 2013)

1	R	A	1	2	3	4	A	D	A	A	F	2	6	0	6	0	0	0	1
(1)	(2)		(3)				(4)	(5)	(6)	(7)	(8)	(9)		(10)		(11)			

- | | |
|---------------------------------------------------------------------------------------------------------------------------------------------------------------------------------------------------------------------------|----------------------------------------------------------------------------------------------------------------------------------------------------------------------------|
| <p>(1) GAS CODE</p> <p>(2) BLOWER CONTROL BOARD</p> <p>(3) COMPRESSOR IDENTIFICATION NUMBER</p> <p>(4) IGNITION DEVICE</p> <p>(5) INDUCER BLOWER</p> <p>(6) HEAT EXCHANGER:</p> | <p>(7) TECHNOLOGY VARIATIONS</p> <p>(8) PLANT
F = FORT SMITH, AR</p> <p>(9) WEEK</p> <p>(10) YEAR</p> <p>(11) PRODUCTION NUMBER</p> |
|---------------------------------------------------------------------------------------------------------------------------------------------------------------------------------------------------------------------------|----------------------------------------------------------------------------------------------------------------------------------------------------------------------------|

SERIAL NUMBER EXPLANATION (Units Produced after Nov. 2013)

F	0	8	1	3	9	9	9	9
(1)	(2)		(3)		(4)			

- (1) **PLANT CODE**
- (2) **WEEK (DATE CODE)**
- (3) **YEAR**
- (4) **PRODUCTION NUMBER**

**Note: For Compressor Identification Number, see Compressor Code on Rating Plate
For Gas Code, see Control System Gas Code on Rating Plate**

No.	Notes	MODEL TECHNICAL VARIATION COOLING CAPACITY	RQPW	RQPW	RQPW	RQPW	RQPW	RQPW
			B 024	B 025	B 030	B 036	B 042	B 048
PANELS, MISCELLANEOUS PARTS								
1		Front Base Pan	AS-58628-06A	AS-58628-06A	AS-58628-06A	AS-58628-06A	AS-58628-06A	AS-58628-06
2		Base Rail (2)	AE-58562-03	AE-58562-03	AE-58562-03	AE-58562-03	AE-58562-03	AE-58562-03
3		Base Rail (2)	AE-58562-04	AE-58562-04	AE-58562-04	AE-58562-04	AE-58562-04	AE-58562-04
4		Back Base Pan	AS-58607-64	AS-58607-64	AS-58607-64	AS-58607-64	AS-58607-64	AS-58607-64
5		Blower Shelf	AS-58630-01	AS-58630-01	AS-58630-01	AS-58630-01	AS-58630-01	AS-58630-01
6		Blower Shelf Transition	AS-58607-19	AS-58607-19	AS-58607-19	AS-58607-19	AS-58607-19	AS-58607-19
7		Divider Panel	AS-58607-03	AS-58607-03	AS-58607-03	AS-58607-03	AS-58607-03	AS-58607-03
8		Bulkhead Assembly	AS-58607-55	AS-58607-55	AS-58607-57	AS-58607-63	AS-58607-57	AS-58607-57
9		Exhaust Hood	AS-58629-01A	AS-58629-01A	AS-58629-01A	AS-58629-01A	AS-58629-01A	AS-58629-01
10		Combustion Air Inlet Hood	AS-58599-01A	AS-58599-01A	AS-58599-01A	AS-58599-01A	AS-58599-01A	AE-58599-01
11		Corner Post	AS-58607-40	AS-58607-40A	AS-58607-46A	AS-58607-46A	AS-58607-46A	AS-58607-46A
12		Blower Access Panel	AS-58607-09	AS-58607-09A	AS-58607-47A	AS-58607-47A	AS-58607-47A	AS-58607-47A
13		End Panel	AS-58607-04	AS-58607-04A	AS-58607-48A	AS-58607-48A	AS-58607-48A	AS-58607-48A
14		Supply Cover - Downflow	AS-58607-06	AS-58607-06A	AS-58607-06A	AS-58607-06A	AS-58607-06A	AS-58607-06A
14		Supply Cover - Side Option "BVA"	AS-58607-35A	N/A	AS-58607-35A	AS-58607-35A	AS-58607-35A	AS-58607-35A
15		Return Cover - Downflow	AS-58607-05	AS-58607-05A	AS-58607-05A	AS-58607-05A	AS-58607-05A	AS-58607-05A
15		Return Cover - Side Option "BVA"	AS-58607-34A	N/A	AS-58607-34A	AS-58607-34A	AS-58607-34A	AS-58607-34A
16		Top Panel	AS-58607-58	AS-58607-58A	AS-58607-54A	AS-58607-59A	AS-58607-54A	AS-58607-54A
17		Grille	95-100906-08	95-100906-08	95-100906-08	95-100906-08	95-100906-08	95-100906-08
18		Filter Access Panel	AS-58607-08	AS-58607-08A	AS-58607-49A	AS-58607-49A	AS-58607-49A	AS-58607-49A
19		Condenser Louver Panel	AS-58607-61	AS-58607-61A	AS-58607-56A	AS-58607-56A	AS-58607-56A	AS-58607-56A
20		Center Post	AE-58569-05	AE-58569-05	AS-58569-07A	AS-58569-07A	AS-58569-07A	AS-58569-07A
21		Control Access Panel	AS-58607-20	AS-58607-20A	AS-58607-50A	AS-58607-50A	AS-58607-50A	AS-58607-50A
22		Control Box - (w/o components)	AE-58597-01	AE-58597-01	AE-58597-01	AE-58597-01	AE-58597-01	AE-58597-01
23		Control Box Cover	AE-58598-01	AE-58598-01	AE-58598-01	AE-58598-01	AE-58598-01	AE-58598-01
24		Furnace Shelf	AS-58607-11	AS-58607-11	AS-58607-11	AS-58607-11	AS-58607-11	AS-58607-11
25		Burner Floor	AE-58594-01	AE-58594-01	AE-58594-01	AE-58594-01	AE-58594-01	AE-58594-01
26		Exhaust Transition	AS-58607-36	AS-58607-36	AS-58607-36	AS-58607-36	AS-58607-36	AS-58607-36
27		Bulkhead Valve (2)	61-22369-04	61-22369-04	61-22369-04	61-22369-04	61-22369-04	61-22369-04
28		Bulkhead Valve Locknut (2)	63-22368-01	63-22368-01	63-22368-01	63-22368-01	63-22368-01	63-22368-01
		Bulkhead Valve Cap (2)	83-100635-01	83-100635-01	83-100635-01	83-100635-01	83-100635-01	83-100635-01
		Heat Exchanger Tube Support	AE-58590-01	AE-58590-01	AE-58590-01	AE-58590-01	AE-58590-01	AE-58590-01
		Grommet - Gas Supply Piping	56-22114-01	56-22114-01	56-22114-01	56-22114-01	56-22114-01	56-22114-01

No.	Notes	MODEL TECHNICAL VARIATION COOLING CAPACITY ELECTRICAL DESIGNATION	RQPW	RQPW	RQPW	RQPW	RQPW	RQPW
			B 024 J	B 025 J	B 030 J	B 036 J	B 042 J	B 048 J
ELECTRICAL GROUP								
31	Stk	Induced Draft Blower w/Gasket	70-23641-01	70-23641-01	70-23641-01	70-23641-01	70-23641-01	70-23641-01
		Gasket - Induced Draft Blower	68-23643-01	68-23643-01	68-23643-01	68-23643-01	68-23643-01	68-23643-01
32	Stk,5	Defrost Control - Before approximate Date Code F3710 (See Note 5)	47-21517-24	47-102684-06	47-21517-24	47-21517-24	47-21517-24	47-21517-24
32	Stk,5	Defrost Control - After approximate Date Code F3710 (See Note 5)	47-102685-05	47-102685-05	47-102685-05	47-102685-05	47-102685-05	47-102685-05
33	Stk	Contactora	42-102289-01	42-102289-01	42-102289-01	42-102289-01	42-102289-01	42-102289-01
34	Stk	Pressure Switch	42-24335-20	42-24335-20	42-24335-20	42-24335-20	42-24335-20	42-24335-20
35	Stk	Transformer	46-100836-05	46-100836-05	46-100836-05	46-100836-05	46-100836-05	46-100836-05
36		Ground Lug	45-19000-01	45-19000-01	45-19000-01	45-19000-01	45-19000-01	45-19000-01
37		Capacitor Adaptor Plate (2 in. round capacitor)	AE-54609-01	AE-54609-01	AE-54609-01	AE-54609-01	AE-54609-01	AE-54609-01
37		Capacitor Adaptor Plate (2 in. X 1-1/4 in. oval capacitor)	AE-54609-02	AE-54609-02	AE-54609-02	AE-54609-02	AE-54609-02	AE-54609-02
38	Stk	Relay - Blower Motor	42-101208-02	42-101208-02	42-101208-02	42-101208-02	42-101208-02	42-101208-02
39		Integrated Furnace Control Board (IFC)	See Gas Controls					
78		Capacitor - Compressor/Fan	See Compressor Group					
84		Limit Control - Blower Shelf	See Heat Exchanger-Burner Group					
88		Limit Control - Roll Out	See Heat Exchanger-Burner Group					
		Compressor Wiring Harness (Molded Plug)	See Compressor Group					
		Wiring Harness - 9 pin to 9 insulated terminals	AS-102393-02	AS-102393-02	AS-102393-02	AS-102393-02	AS-102393-02	AS-102393-02
		Leadwire - from Flame Sensor to 9 pin Wiring Harness Plug	45-25323-02	45-25323-02	45-25323-02	45-25323-02	45-25323-02	45-25323-02

No.	Notes	MODEL TECHNICAL VARIATION COOLING CAPACITY ELECTRICAL DESIGNATION	RQPW	RQPW	RQPW			
			B 036 C	B 042 C	B 048 C			
ELECTRICAL GROUP								
31	Stk	Induced Draft Blower w/Gasket	70-23641-01	70-23641-01	70-23641-01			
		Gasket - Induced Draft Blower	68-23643-01	68-23643-01	68-23643-01			
32	Stk,5	Defrost Control - Before approximate Date Code F3710 (See Note 5)	47-21517-24	47-21517-24	47-21517-24			
32	Stk,5	Defrost Control - After approximate Date Code F3710 (See Note 5)	47-102685-05	47-102685-05	47-102685-05			
33	Stk	Contactora	42-42667-02	42-42667-02	42-42667-02			
34	Stk	Pressure Switch	42-24335-20	42-24335-20	42-24335-20			
35	Stk	Transformer	46-100836-05	46-100836-05	46-100836-05			
36		Ground Lug	45-19000-01	45-19000-01	45-19000-01			
37		Capacitor Adaptor Plate (2 in. round capacitor)	AE-54609-01	AE-54609-01	AE-54609-01			
37		Capacitor Adaptor Plate (2 in. X 1-1/4 in. oval capacitor)	AE-54609-02	AE-54609-02	AE-54609-02			
38	Stk	Relay - Blower Motor	42-101208-02	42-101208-02	42-101208-02			
39		Integrated Furnace Control Board (IFC)	See Gas Controls					
78		Capacitor - Fan Motor	See Fan Group					
84		Limit Control - Blower Shelf	See Heat Exchanger-Burner Group					
88		Limit Control - Roll Out	See Heat Exchanger-Burner Group					
		Compressor Wiring Harness (Molded Plug)	See Compressor Group					
		Wiring Harness - 9 pin to 9 insulated terminals	AS-102393-02	AS-102393-02	AS-102393-02			
		Leadwire - from Flame Sensor to 9 pin Wiring Harness Plug	45-25323-02	45-25323-02	45-25323-02			

No.	Notes	MODEL TECHNICAL VARIATION COOLING CAPACITY ELECTRICAL DESIGNATION	RQPW	RQPW	RQPW	RQPW	RQPW	RQPW
			B 024 J	B 025 J	B 030 J	B 036 J	B 042 J	B 048 J
FAN GROUP								
Note: 024, 030, and 036 units produced on or before approximately F3806 may have been produced with a different motor, capacitor, and fan blade combination than shown below. If replacing any of these components on older units, all three components must be changed in accordance with those listed below. Failure to do so may affect motor reliability and increase fan noise.								
46	Stk	Fan Motor	51-100998-24	51-102728-14	51-100998-24	51-100998-24	51-100998-19	51-100998-19
47	Stk	Fan Blade	70-101323-19	70-23594-03	70-101323-19	70-101323-19	70-23594-02	70-23594-02
78		Capacitor - Compressor/Fan	See Compressor Group					

No.	Notes	MODEL TECHNICAL VARIATION COOLING CAPACITY ELECTRICAL DESIGNATION	RQPW	RQPW	RQPW			
			B 036 C	B 042 C	B 048 C			
FAN GROUP								
Note: 024, 030, and 036 units produced on or before approximately F3806 may have been produced with a different motor, capacitor, and fan blade combination than shown below. If replacing any of these components on older units, all three components must be changed in accordance with those listed below. Failure to do so may affect motor reliability and increase fan noise.								
46	Stk	Fan Motor	51-100998-24	51-100998-19	51-100998-19			
47	Stk	Fan Blade	70-101323-19	70-23594-02	70-23594-02			
78	Stk	Capacitor - Fan Motor	43-100496-04	43-100496-09	43-100496-09			

No.	Notes	MODEL TECHNICAL VARIATION COOLING CAPACITY ELECTRICAL DESIGNATION	RQPW	RQPW	RQPW	RQPW	RQPW	RQPW
			B 024 J	B 025 J	B 030 J	B 036 J	B 042 J	B 048 J
BLOWER GROUP								
38		Blower Relay	See Electrical Group					
	Stk	Blower Assembly (Includes items 51-56)	AS-58662-31	AS-58662-31	AS-58662-32	AS-58662-33	AS-58662-34	AS-58662-35
51		Housing	AS-58619-01	AS-58619-01	AS-58619-02	AS-58619-02	AS-58619-02	AS-58619-02
52	Stk	Blower Wheel	70-20218-01	70-20218-01	70-18625-03	70-18625-03	70-18625-03	70-18625-03
53		Cut-Off	AE-64401-10	AE-64401-10	AE-64401-06	AE-64401-06	AE-64401-06	AE-64401-06
54	Stk	Blower Motor	51-101879-05	51-101879-05	51-101880-12	51-101880-13	51-101920-12	51-101920-13
		Motor Mounting Bracket Assembly (Includes items 55, 56)	AS-53148-03	AS-53148-03	N/A	N/A	N/A	N/A
55		Motor Band	70-19927-01	70-19927-01	70-19927-03	70-19927-03	70-19927-03	70-19927-03
56		Motor Arm Assembly (3)	70-19929-02	70-19929-02	70-19929-09	70-19929-09	70-19929-09	70-19929-09

No.	Notes	MODEL TECHNICAL VARIATION COOLING CAPACITY ELECTRICAL DESIGNATION	RQPW	RQPW	RQPW			
			B 036 C	B 042 C	B 048 C			
BLOWER GROUP								
38		Blower Relay	See Electrical Group					
	Stk	Blower Assembly (Includes items 51-56)	AS-58662-33	AS-58662-34	AS-58662-35			
51		Housing	AS-58619-02	AS-58619-02	AS-58619-02			
52	Stk	Blower Wheel	70-18625-03	70-18625-03	70-18625-03			
53		Cut-Off	AE-64401-06	AE-64401-06	AE-64401-06			
54	Stk	Blower Motor	51-101880-13	51-101920-12	51-101920-13			
55		Motor Band	70-19927-03	70-19927-03	70-19927-03			
56		Motor Arm Assembly (3)	70-19929-09	70-19929-09	70-19929-09			

No.	Notes	MODEL TECHNICAL VARIATION COOLING CAPACITY	RQPW B 024	RQPW B 025	RQPW B 030	RQPW B 036	RQPW B 042	RQPW B 048
COIL GROUP								
CONDENSER COIL:								
61	Stk	Condenser Coil	AS-102015-03	AS-102015-03	AS-102016-03	AS-102017-03	AS-102014-03	AS-102014-03
		Distributor Assembly	83-101782-01	83-101782-01	83-101782-02	83-101782-02	83-101782-03	83-101782-03
		Access Valve Body	61-18542-01	61-18542-01	61-18542-01	61-18542-01	61-18542-01	61-18542-01
		Access Valve Core	61-18551-01	61-18551-01	61-18551-01	61-18551-01	61-18551-01	61-18551-01
EVAPORATOR COIL:								
62	Stk	Evaporator Coil w/Drain Pan	AS-102660-05	AS-102660-05	AS-102660-06	AS-102660-06	AS-102660-07	AS-102660-07
62	Stk	Evaporator Coil w/Drain Pan (Tin Plated)	AS-104668-05	AS-104668-05	AS-104668-06	AS-104668-06	AS-104668-07	AS-104668-07
63		Drain Pan Grommet	56-23601-01	56-23601-01	56-23601-01	56-23601-01	56-23601-01	56-23601-01
64	Stk	Drain Pan - Before F4507	AS-58607-32	N/A	AS-58607-32	AS-58607-32	AS-58607-32	AS-58607-32
64	Stk	Drain Pan - After F4507	68-23602-02	68-23602-02	68-23602-02	68-23602-02	68-23602-02	68-23602-02
64a		Drain Trap - (Attached to Drain Pan)	68-23603-01	68-23603-01	68-23603-01	68-23603-01	68-23603-01	68-23603-01
65		Auxiliary Drain Pipe	AE-58611-01	AE-58611-01	AE-58611-01	AE-58611-01	AE-58611-01	AE-58611-01
66	Stk	TXV	61-102211-06	61-102211-29	61-102211-07	61-102211-07	61-102211-08	61-102211-08
67		Condensate Shield	AE-101751-01	AE-101751-01	AE-101751-02	AE-101751-02	AE-101751-02	AE-101751-02
68		Condensate Barrier	AE-100544-01	AE-100544-01	AE-100544-02	AE-100544-02	AE-100544-02	AE-100544-02
69		Distributor Assembly	83-102202-01	83-102202-01	83-102202-02	83-102202-02	83-102202-03	83-102202-03
REFRIGERATION GROUP:								
71	Stk	Charge Compensator	N/A	N/A	N/A	83-25361-02	83-25361-06	83-25361-12
72	Stk,3	Reversing Valve w/Coil - See Note 3	61-102498-09	61-102498-09	61-102498-09	61-102498-09	61-102498-09	61-101684-06
	Stk	Solenoid Coil - Reversing Valve	61-101713-01	61-101713-01	61-101713-01	61-101713-01	61-101713-01	61-101713-01
		Wiring Harness - Reversing Valve	61-26149-01	61-26149-01	61-26149-01	61-26149-01	61-26149-01	61-26149-01
73		TXV Bulb Strap Kit	64-101357-01	64-101357-01	64-101357-01	64-101357-01	64-101357-01	64-101357-01
74		Bulb Strainer	83-26020-02	83-26020-02	83-26020-02	83-26020-02	83-26020-02	83-26020-02
75		Filter Drier	83-41714-03	83-41714-03	83-41714-03	83-41714-03	83-41714-01	83-41714-01

No.	Notes	MODEL TECHNICAL VARIATION COOLING CAPACITY ELECTRICAL DESIGNATION	RQPW B 024 J	RQPW B 025 J	RQPW B 030 J	RQPW B 036 J	RQPW B 042 J	RQPW B 048 J
COMPRESSOR GROUP								
Compressor ID:			7491	8181	7492	7493	7494	7495
76	Stk	Compressor	55-102045-01 S	55-102045-01 S	55-102045-02 S	55-102045-03 S	55-102045-06 S	55-102045-09S
77		Grommet (4)	56-18518-04	56-18518-04	56-18518-04	56-18518-04	56-18518-06	56-18518-06
	Stk	Compressor Wiring Harness (Molded Plug)	45-100834-80	45-100834-80	45-100834-80	45-100834-80	45-100834-80	45-100834-80
	Stk	Low Pressure Control - After Approximate Date Code F3710	47-102240-02	47-102240-02	47-102240-02	47-102240-02	47-102240-02	47-102240-02
78	Stk	Capacitor - Compressor/Fan	43-26271-09	43-101666-24	43-26271-09	43-26271-41	43-101665-42	43-101665-47

No.	Notes	MODEL TECHNICAL VARIATION COOLING CAPACITY ELECTRICAL DESIGNATION	RQPW B 036 C	RQPW B 042 C	RQPW B 048 C			
COMPRESSOR GROUP								
Compressor ID:			7576	7577	7578			
76	Stk	Compressor	55-102045-05 S	55-102045-08 S	55-102045-11 S			
77		Grommet (4)	56-18518-04	56-18518-04	56-18518-04			
	Stk	Compressor Wiring Harness (Molded Plug)	45-100834-80	45-100834-80	45-100834-80			
	Stk	Low Pressure Control - After Approximate Date Code F3710	47-102240-02	47-102240-02	N/A			

No.	Notes	MODEL TECHNICAL VARIATION HEATING CAPACITY	RQPW B 04	RQPW B 06	RQPW B 08	RQPW B 10
HEAT EXCHANGER, BURNER / MANIFOLD						
81	Stk	Heat Exchanger (Includes Center Panel and Turbulators)	AS-58632-01	AS-58632-02	AS-58632-03	AS-58632-04
82		Turbulators	AE-58591-02 (2)	AE-58591-02 (3)	AE-58591-02 (4)	AE-58591-02 (5)
		Collector Box Gasket	68-23644-01	68-23644-01	68-23644-01	68-23644-01
83		Collector Box	AE-58588-01	AE-58588-01	AE-58588-01	AE-58588-01
84	Stk	Limit Control - Blower Shelf	47-23610-11 (All except 025))	47-23610-05 (024)	47-23610-03 (All except 025)	47-23610-01 (All)
84	Stk	Limit Control - Blower Shelf		47-23610-03 (030-048)		
84	Stk	Limit Control - Blower Shelf	47-102436-02 (025)	47-102436-01 (025)	47-102436-01 (025)	
85		NOX Insert Assembly	75-23684-01 (2)	75-23684-01 (3)	75-23684-01 (4)	75-23684-01 (5)
86		Lower Burner Shield (NOX)	AE-59148-01	AE-59148-01	AE-59148-01	AE-59148-01
87		Radiation Shield	AE-58595-01	AE-58595-01	AE-58595-01	AE-58595-01
88	Stk,4	Limit - Manual Reset (Burner Compartment) - Before approximate Date Code F3708 (See Note 4)	47-100241-01	47-100241-01	47-100241-01	47-100241-01
88	Stk,4	Limit - Manual Reset (Burner Compartment) - After approximate Date Code F3708 (See Note 4)	47-22861-02	47-22861-02	47-22861-02	47-22861-02
89	Stk,4	Burner Tube w/Shield (Inshot) - Before approximate Date Code F3708 (See Note 4)	75-22840-02 (2)	75-22840-02 (3)	75-22840-02 (4)	75-22840-02 (5)
89	Stk,4	Burner Assembly (One-piece) - After approximate Date Code F3708 (See Note 4)	AS-60993-02	AS-60993-03	AS-60993-04	AS-60993-05
90	4	Burner Support Bracket (2) - Before approximate Date Code F3708 (See Note 4)	AE-61588-01	AE-61588-01	AE-61588-01	AE-61588-01
90	4	Burner Support Bracket (2) - After approximate Date Code F3708 (See Note 4)	AE-61588-02	AE-61588-02	AE-61588-02	AE-61588-02
91	4	Burner Support - (Holds Burners between Burner Support Brackets) - Before approximate Date Code F3708 (See Note 4)	AE-58592-02	AE-58592-02	AE-58592-02	AE-58592-02
91	4	Burner Support - (Holds Burners between Burner Support Brackets) - After approximate Date Code F3708 (See Note 4)	AE-102438-01	AE-102438-01	AE-102438-01	AE-102438-01
97	4	Bushing - After approximate Date Code F3708 (See Note 4)	45-42519-01	45-42519-01	45-42519-01	45-42519-01
	Stk,2,4	One-piece Burner Retrofit Kit - See Note 2	AS-60993-82	AS-60993-83	AS-60993-84	AS-60993-85
92		Manifold Assembly	81-101154-01	81-101154-01	81-101154-01	81-101154-01
94		Square Head Plug (Used on Manifold to plug extra holes)	81-23593-01 (3)	81-23593-01 (2)	81-23593-01 (1)	N/A
93		Burner Orifice - Natural Gas	See Orifice Selection Chart			
93		Burner Orifice - LP	See Orifice Selection Chart			
93		Number of Orifices	(2)	(3)	(4)	(5)
95	Stk	Flame Sensor	62-23543-02	62-23543-02	62-23543-02	62-23543-02
96	Stk	Ignition Electrode/Cable Assembly	62-23556-01	62-23556-01	62-23556-01	62-23556-01

No.	Notes	MODEL	RQPW	RQPW	RQPW	RQPW	RQPW
		TECHNICAL VARIATION	B	B	B	B	B
		GAS CODE	1R	1S	1X	2A	2G
GAS CONTROLS							
39	Stk	Integrated Furnace Control Board (IFC)	62-23599-02	62-23599-02	62-23599-02	62-23599-02	62-23599-04
	Stk	Gas Valve - Natural Gas	60-22447-07	60-23490-03	60-23490-01	60-24290-01	60-100394-02
	Stk,1	Gas Valve - LP	See Note 1	See Note 1	See Note 1	See Note 1	See Note 1
	Stk	LP Conversion Kit	EP-85H	EP-84W	EP-84W	EP-84W	EP-85H

No.	Notes	MODEL	RQPW				
		SIZE	ALL				
OPTIONS AND ACCESSORIES							
		Economizer - Downflow, 3 Position	RXRE-CAA30				
		Economizer - Downflow, Fully Modulating	RXRD-CAM10				
		Economizer - Horizontal Application, Fully Modulating	RXRD-CCM10				
		Fresh Air Damper - Fixed, 35%	RXRF-FAA1				
		Fresh Air Damper - Motorized, 35%	RXRF-FAB1				
		Filter Kit	RXRY-B01				
		Low Ambient Control	RXPZ-G01				
		High Pressure Control	RXAB-D01				
		Canadian High Altitude Kit (for Natural Gas Only)	RXRX-AH01				

PACKAGE EQUIPMENT - ORIFICE SELECTION CHART - NATURAL GAS

CAUTION: Selection of the correct Natural Gas Orifice requires the following information for the specific installation:

- 1) Furnace Input Rating (BTU/HR)
- 2) Number of Burners
- 2) Altitude (ft.)

For detailed information and instructions for Orifice selection, see the Gas Furnace LP Conversion Kit Index 92-21519-47 and the latest edition of the National Fuel Gas Code Handbook, or the National Standard of Canada, Natural Gas and Propane Installation Code, CAN B149.1.

CAUTION: This information is provided for replacement purposes only. Conversion for operation at High Altitude must be done using the kit specified on the product specification sheet for the unit.

NOTE: This Orifice sizing chart is based on a Natural Gas heating value of 1075 BTU/cu. ft and a pressure setting of 3.5 in. water column.

NOTE: Factory installed orifices are calculated and sized based on a Natural Gas heating value of 1075 BTU/cu. ft. and an elevation of 0 - 2000 ft.

Furnace Input Rating (BTU/HR)	Canadian High Altitude Derated Input (BTU/HR)	Number of Burners	Elevation (ft.)					
			Country					
			0 - 2000 U.S.	2001 - 4000 U.S.	4001 - 6000 U.S.	8000+ U.S.	0 - 2000 Canada	2001 - 4500 Canada
40,000	36,000	2	62-22175-45	62-22175-47	62-22175-48	62-22175-49	62-22175-45	62-22175-15
60,000	54,000	3	62-22175-45	62-22175-47	62-22175-48	62-22175-49	62-22175-45	62-22175-15
72,000	N/A	4	62-22175-15	62-22175-49	62-22175-50	62-22175-51	62-22175-15	N/A
80,000	72,000	4	62-22175-45	62-22175-47	62-22175-48	62-22175-49	62-22175-45	62-22175-15
90,000	N/A	5	62-22175-15	62-22175-49	62-22175-50	62-22175-51	62-22175-15	N/A
100,000	90,000	5	62-22175-45	62-22175-47	62-22175-48	62-22175-49	62-22175-45	62-22175-15
120,000	108,000	6	62-22175-45	62-22175-47	62-22175-48	62-22175-49	62-22175-45	62-22175-15
135,000	121,500	6	62-22175-44	62-22175-45	62-22175-47	62-22175-48	62-22175-44	62-22175-45
150,000	135,000	6	62-22175-42	62-22175-43	62-22175-44	62-22175-45	62-22175-42	62-22175-44
180,000	N/A	9	62-22175-45	62-22175-47	62-22175-48	62-22175-49	62-22175-45	N/A
210,000	N/A	9	62-22175-43	62-22175-44	62-22175-45	62-22175-47	62-22175-43	N/A
210,000	N/A	10	62-22175-45	62-22175-47	62-22175-48	62-22175-49	62-22175-45	N/A
225,000	202,500	9	62-22175-42	62-22175-43	62-22175-44	62-22175-45	62-22175-42	62-22175-44
250,000	225,000	10	62-22175-42	62-22175-43	62-22175-44	62-22175-45	62-22175-42	62-22175-44
252,000	225,000	9	62-22175-40	62-22175-42	62-22175-43	62-22175-44	62-22175-40	62-22175-42
252,000	N/A	12	62-22175-45	62-22175-47	62-22175-48	62-22175-49	62-22175-45	N/A
290,000	N/A	14	62-22175-45	62-22175-47	62-22175-48	62-22175-49	62-22175-45	N/A
300,000	270,000	12	62-22175-42	62-22175-43	62-22175-44	62-22175-45	62-22175-42	62-22175-44
330,000	N/A	14	62-22175-43	62-22175-44	62-22175-45	62-22175-47	62-22175-43	N/A
350,000	315,000	14	62-22175-42	62-22175-43	62-22175-44	62-22175-45	62-22175-42	62-22175-44
400,000	360,000	14	62-22175-40	62-22175-42	62-22175-43	62-22175-44	62-22175-40	62-22175-42

PACKAGE EQUIPMENT - ORIFICE SELECTION CHART - LP

CAUTION: Selection of the correct LP Orifice requires the following information for the specific installation:

- 1) Furnace Input Rating (BTU/HR)
- 2) Number of Burners
- 2) Altitude (ft.)

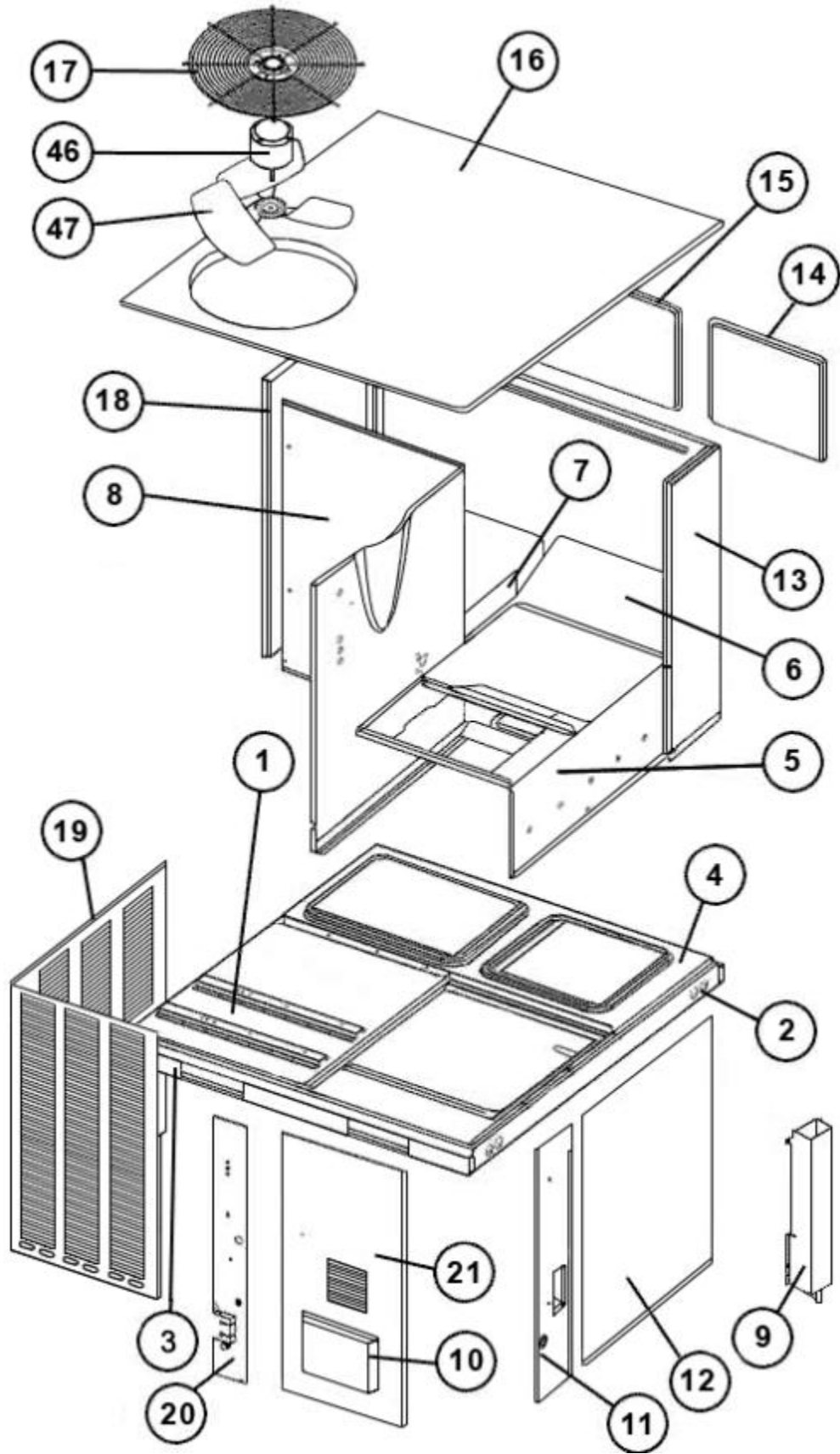
For detailed information and instructions for Orifice selection, see the Gas Furnace LP Conversion Kit Index 92-21519-47 and the latest edition of the National Fuel Gas Code Handbook, or the National Standard of Canada, Natural Gas and Propane Installation Code, CAN B149.1.

CAUTION: This information is provided for replacement purposes only. Conversion to LP or for operation at High Altitude should be done using the kit(s) specified on the product specification sheet for the unit.

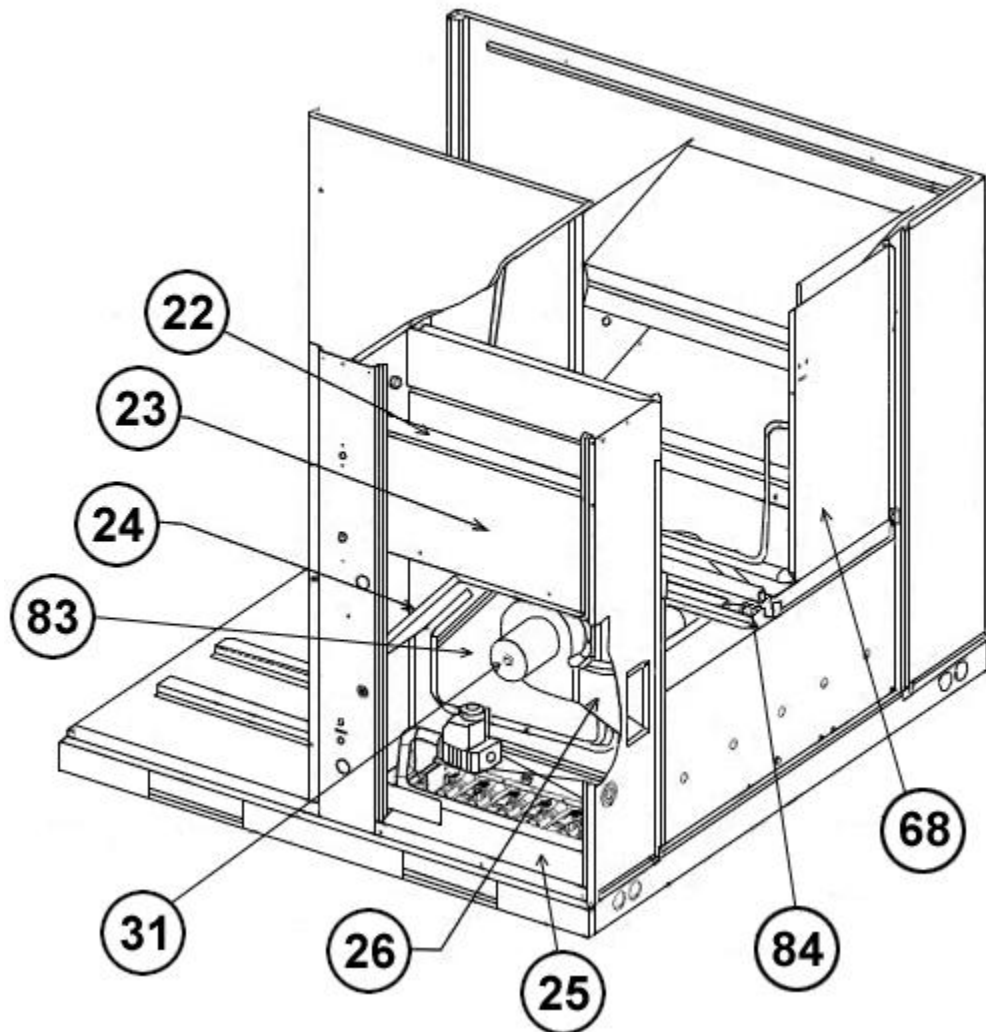
NOTE: This Orifice sizing chart is developed using the specified pressure setting of 10 in. water column instead of the 11.0 in water column used by the NFG and CANB149.1.

NOTE: Orifices supplied in the LP Conversion Kit are calculated and sized based on a heating value of 2500 BTU/cu. ft. and an elevation of 0 - 2000 ft.

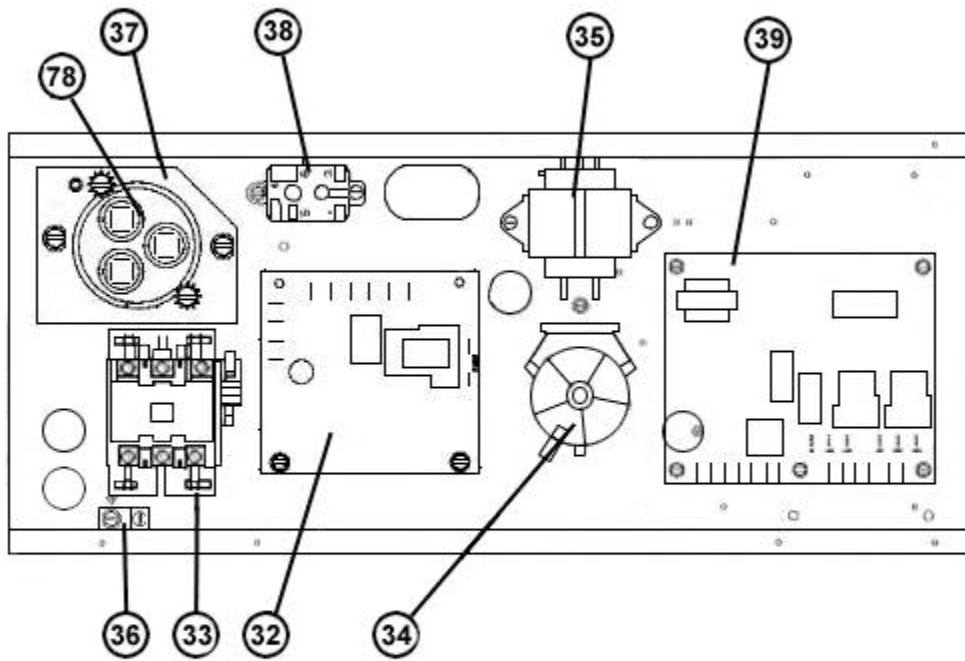
Furnace Input Rating (BTU/HR)	Canadian High Altitude Derated Input (BTU/HR)	Number of Burners	Elevation (ft.)					
			Country					
			0 - 2000 U.S.	2001 - 4000 U.S.	4001 - 6000 U.S.	8000+ U.S.	0 - 2000 Canada	2001 - 4500 Canada
40,000	36,000	2	62-22175-55	62-22175-55	62-22175-56	62-22175-56	62-22175-55	62-22175-13
60,000	54,000	3	62-22175-55	62-22175-55	62-22175-56	62-22175-56	62-22175-55	62-22175-13
72,000	N/A	4	62-22175-13	62-22175-57	62-22175-57	62-22175-59	62-22175-13	N/A
80,000	72,000	4	62-22175-55	62-22175-55	62-22175-56	62-22175-56	62-22175-55	62-22175-13
90,000	N/A	5	62-22175-13	62-22175-57	62-22175-57	62-22175-59	62-22175-13	N/A
100,000	90,000	5	62-22175-55	62-22175-55	62-22175-56	62-22175-56	62-22175-55	62-22175-13
120,000	108,000	6	62-22175-55	62-22175-55	62-22175-56	62-22175-56	62-22175-55	62-22175-13
135,000	121,500	6	62-22175-54	62-22175-55	62-22175-55	62-22175-56	62-22175-54	62-22175-55
150,000	135,000	6	62-22175-54	62-22175-55	62-22175-55	62-22175-56	62-22175-54	62-22175-54
180,000	N/A	9	62-22175-55	62-22175-55	62-22175-56	62-22175-56	62-22175-55	N/A
210,000	N/A	9	62-22175-54	62-22175-55	62-22175-55	62-22175-56	62-22175-54	N/A
210,000	N/A	10	62-22175-55	62-22175-55	62-22175-56	62-22175-56	62-22175-55	N/A
225,000	202,500	9	62-22175-54	62-22175-55	62-22175-55	62-22175-56	62-22175-54	62-22175-54
250,000	225,000	10	62-22175-54	62-22175-55	62-22175-55	62-22175-56	62-22175-54	62-22175-54
252,000	225,000	9	62-22175-53	62-22175-54	62-22175-54	62-22175-55	62-22175-53	62-22175-54
252,000	N/A	12	62-22175-55	62-22175-55	62-22175-56	62-22175-56	62-22175-55	N/A
290,000	N/A	14	62-22175-55	62-22175-55	62-22175-56	62-22175-56	62-22175-55	N/A
300,000	270,000	12	62-22175-54	62-22175-55	62-22175-55	62-22175-56	62-22175-54	62-22175-54
330,000	N/A	14	62-22175-54	62-22175-55	62-22175-55	62-22175-56	62-22175-54	N/A
350,000	315,000	14	62-22175-54	62-22175-55	62-22175-55	62-22175-56	62-22175-54	62-22175-54
400,000	360,000	14	62-22175-53	62-22175-54	62-22175-54	62-22175-55	62-22175-53	62-22175-54



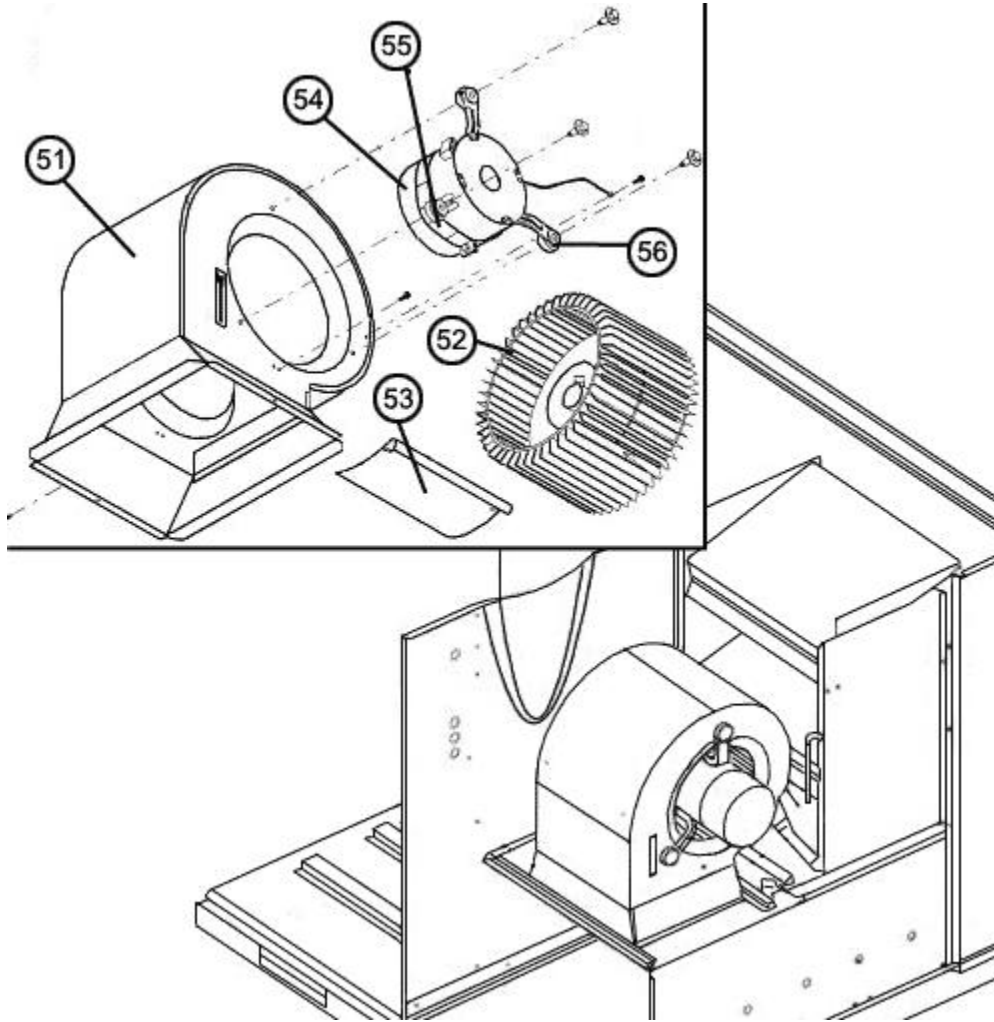
Exploded View



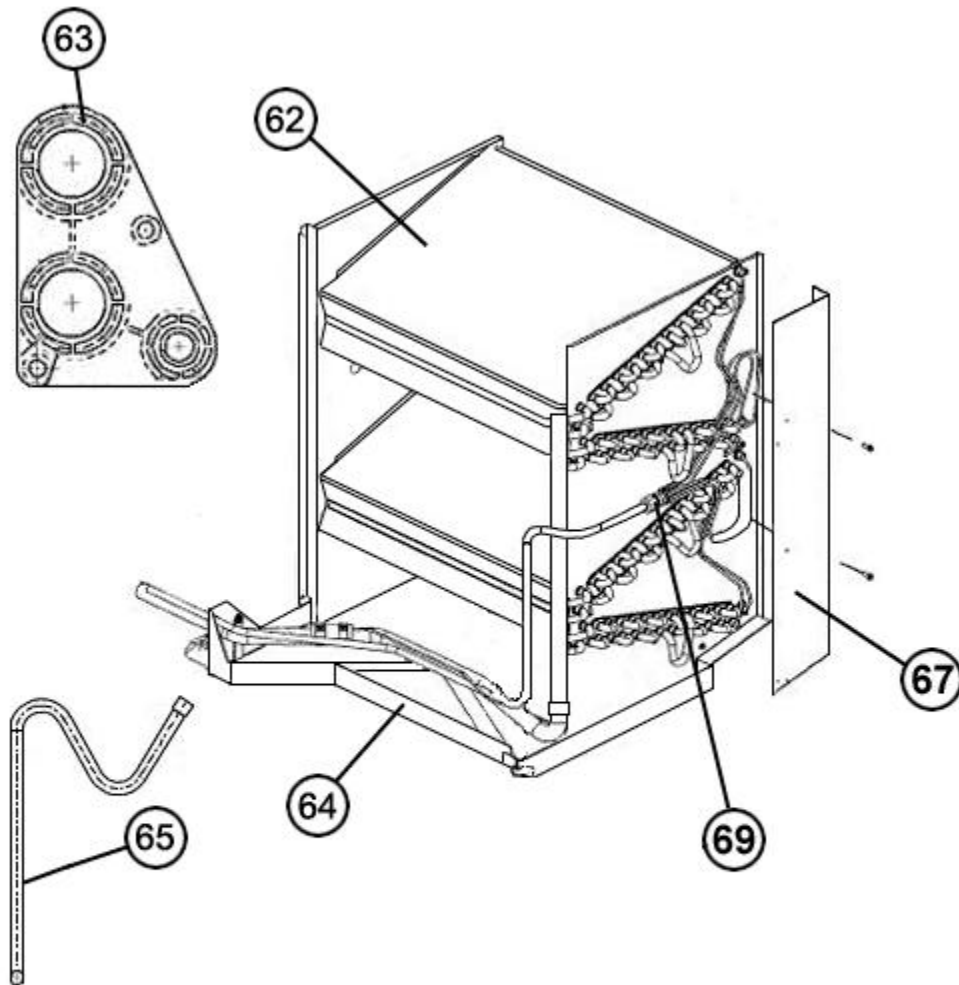
Control Access Panel Detail



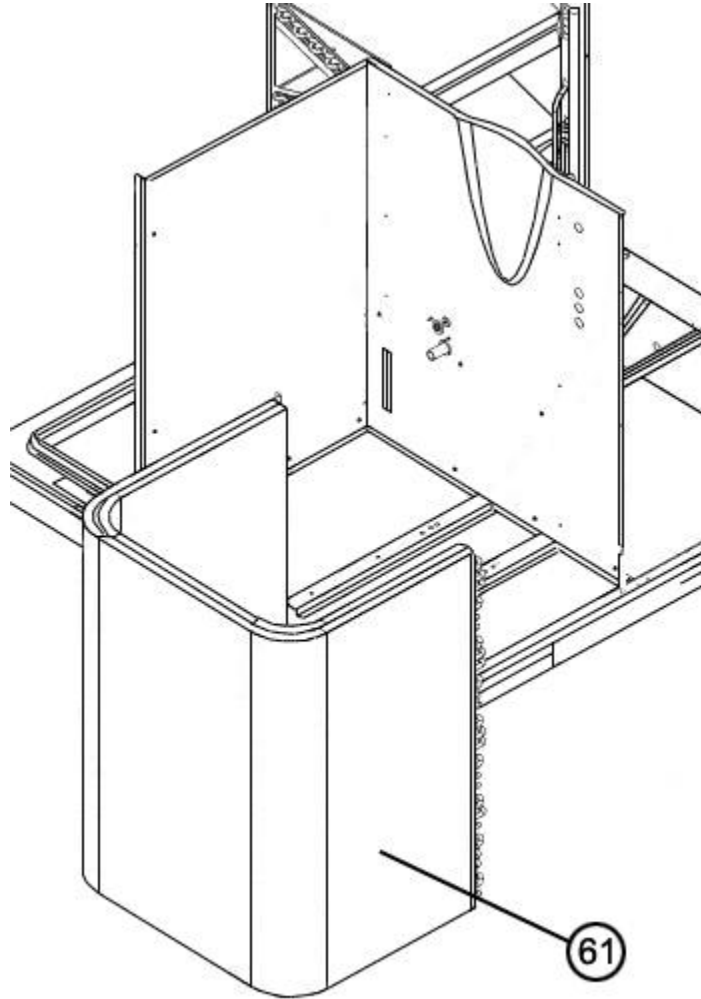
Control Box Assembly



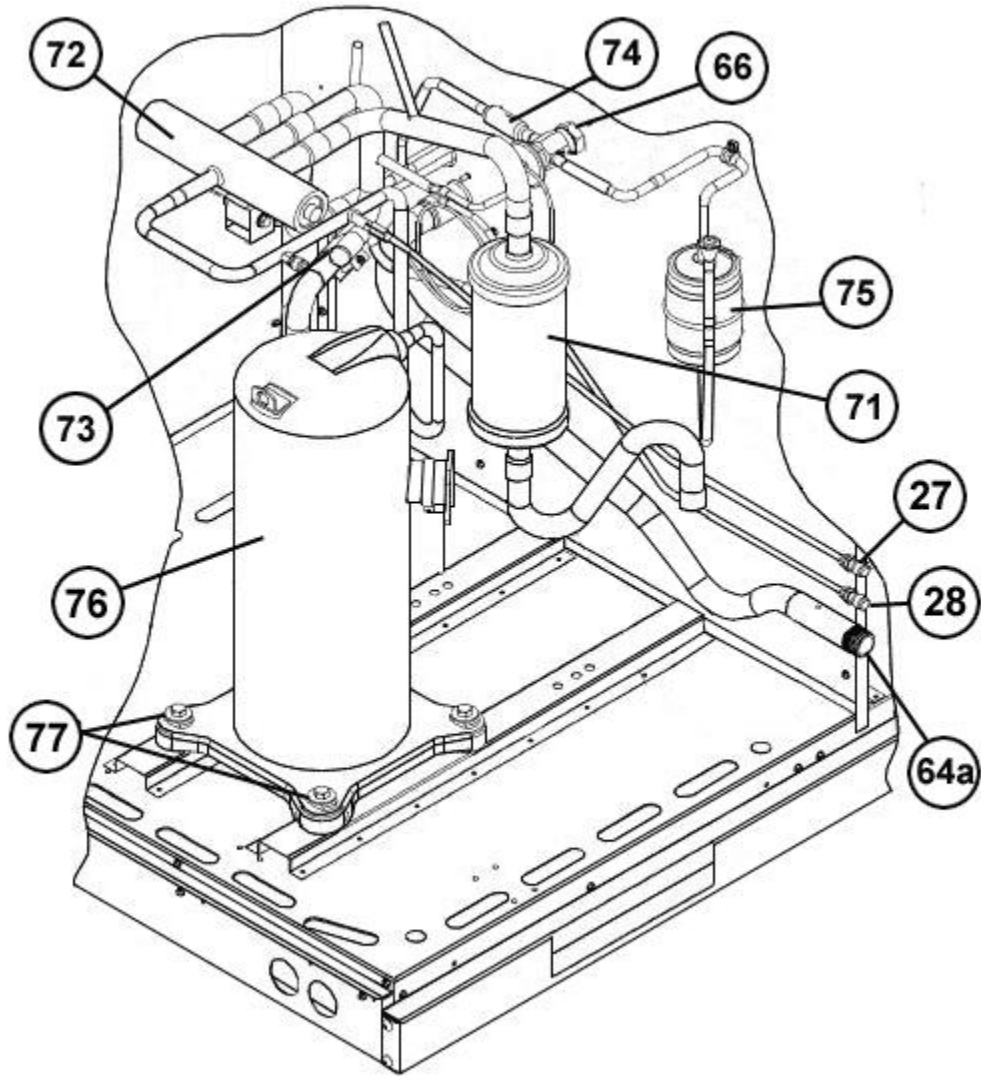
Blower Assembly



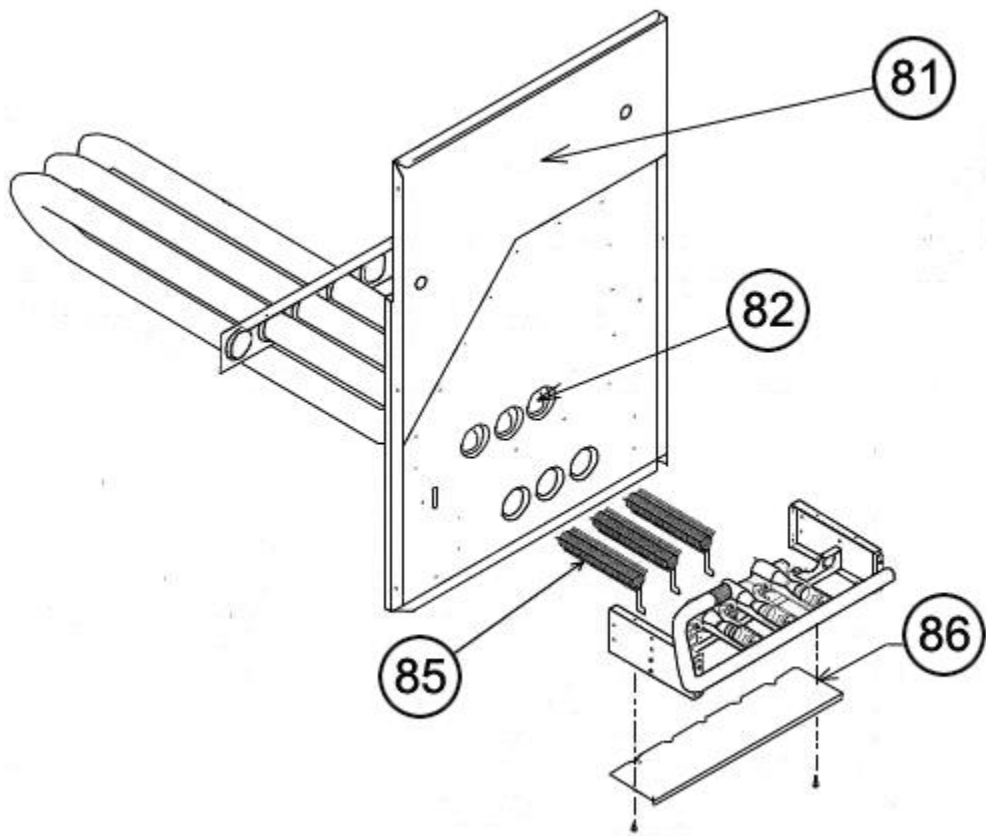
EvaporatorCoil Assembly



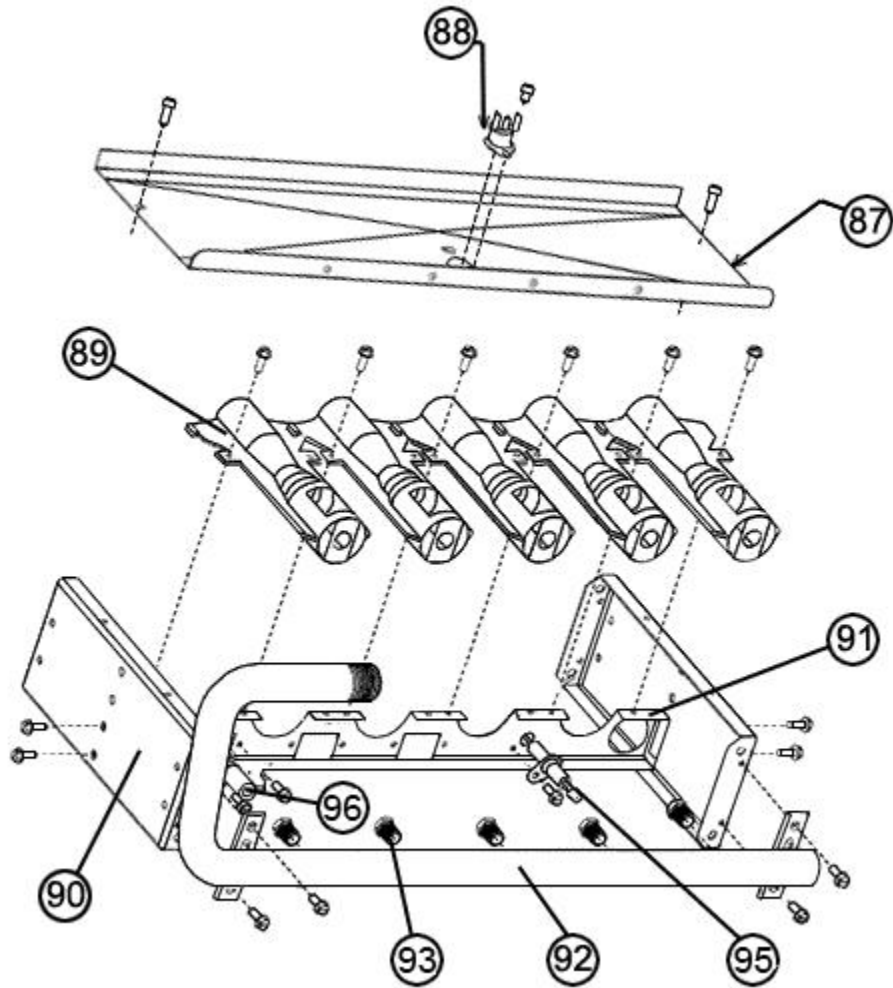
Condenser Coil



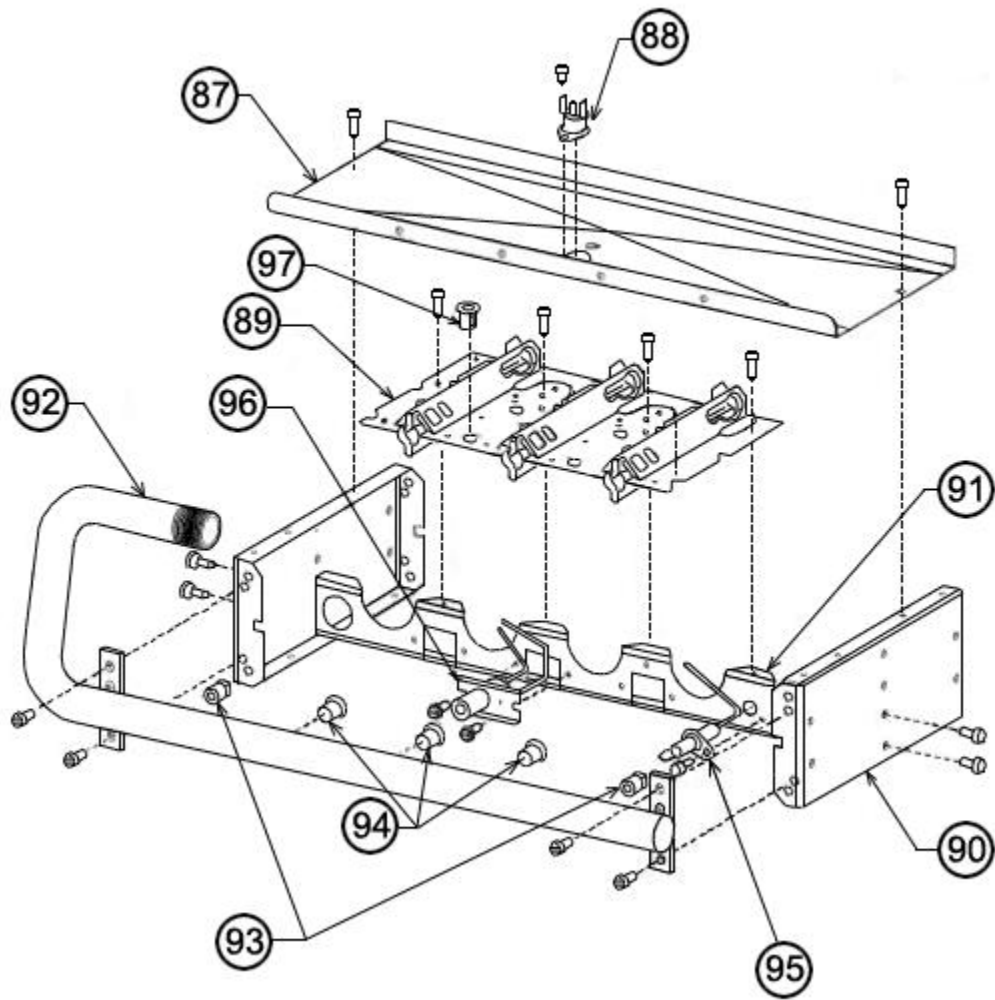
Compressor and Refrigeration Components



Heat Exchanger Assembly



Burner Assembly (Inshot - Before Approx F3708)



Burner Assembly (One-piece - After Approx F3708)

NOTES

Stk It is recommended that stock be maintained for this part.

N/A Not Applicable

- 1 Order Gas Valve for Natural Gas along with LP Conversion Kit.
- 2 This kit includes all necessary items to retrofit units using individual burner tubes with the later one-piece burner design.
- 3 The reversing valve specified for 024, 025, 030, 036, 042, 048 models may be different than the one originally supplied with the equipment. The use of the specified valve is recommended for improved shifting performance.
- 4 The date code shown is approximate. It should be confirmed by the servicing technician as to whether the unit was manufactured using the later one-piece burner design or the earlier inshot individual burner tubes. Components are NOT interchangeable.
- 5 The rectangle-shaped defrost control board used in later production models may be retrofitted in place of the square shaped board used in earlier production. The later defrost board includes support for high and low refrigerant pressure controls and also includes a 30 second compressor delay for noise abatement during defrost. If the unit does not include pressure controls, jumpers will need to be field supplied for these terminals.

DISCLAIMER: This document is intended to provide general replacement parts information to aid qualified service personnel in the repair of these models. The complete Model and Serial Number of the unit under repair should be specified when selecting and ordering replacement parts. Specifications and illustrations are subject to change without notice. Document 92-42800-RQPW-B supersedes all previous parts lists for these models. See <http://www.rheempartslists.net/92-42800-RQPW-B> for the latest revision of this document. The manufacturer assumes no obligation for errors or omissions. Service personnel must verify the proper and safe operation of equipment after the replacement of any original components.