



RQNL-B

Parts List
08-May-2014



*This parts list is current as of the above revision date.
See <http://www.rheempartslists.net/92-42800-RQNL-B.pdf> for the current revision.*

Package Heat Pumps

Table of Contents

Model Explanation	Page 3
Parts Numbers	
Panels - Miscellaneous (Granite-Steel Gray)	Page 4
Panels - Miscellaneous (Neutra Green)	Page 5
Electrical Group	Page 6
Fan Group	Page 6
Blower Group	Page 7
Coil Parts	Page 7
Compressor Group	Page 8
Heater Kits	Page 9
Accessories	Page 9
Drawings/Photographs	
Exploded View	Page 10
Control Access Panel Detail	Page 11
Control Box Assembly	Page 12
Blower Assembly	Page 13
EvaporatorCoil Assembly	Page 14
Condenser Coil	Page 15
Compressor and Refrigeration Components	Page 16
Notes/Disclaimer	Page 17

MODEL NUMBER EXPLANATION

R	Q	N	L	-	B	0	2	4	J	K	0	1	0	X	X	X
1	2	3	4		5		6		7	8		9			10	

- | | |
|---|--|
| <p>1 TRADENAME</p> <p>2 Q = PACKAGED HEAT PUMP</p> <p>3 EFFICIENCY DESIGNATION
N = 13 SEER High Efficiency
P = 14 SEER High Efficiency</p> <p>4 DESIGN SERIES
L = R410A</p> <p>5 TECHNICAL VARIATIONS</p> <p>6 COOLING CAPACITY
024 = 24,000 BTU/HR
030 = 30,000 BTU/HR
036 = 36,000 BTU/HR
042 = 42,000 BTU/HR
048 = 48,000 BTU/HR</p> | <p>7 ELECTRIC DESIGNATION
J = 208-230/1/60
C = 208-230/3/60</p> <p>8 DRIVE PACKAGE
K = Direct Drive</p> <p>9 RESISTANCE HEAT DESIGNATION
000 = No Resistance Heat
005 = 5 kW
006 = 6 kW
010 = 10 kW
015 = 15 kW</p> <p>10 FACTORY INSTALLED OPTIONS
AKA = Side Flow</p> |
|---|--|

SERIAL NUMBER EXPLANATION (Units Produced before Sept. 2013)

5	2	0	3	F	5	0	9	4	9	9	9	9	9
	1			2		3		4				5	

- 1** **COMPRESSOR IDENTIFICATION NUMBER**
- 2** **PRODUCTION LOCATION**
F = For Smith, AR
- 3** **WEEK**
- 4** **YEAR**
- 5** **PRODUCTION NUMBER**

SERIAL NUMBER EXPLANATION (Units Produced after Sept. 2013)

W	0	8	1	3	9	9	9	9
(1)		(2)		(3)			(4)	

- (1)** **PLANT CODE**
W = Nuevo Laredo (West)
- (2)** **WEEK OF PRODUCTION**
- (3)** **YEAR OF PRODUCTION**
- (4)** **PRODUCTION NUMBER**

Note: For Compressor Identification Number, see Compressor Code on Rating Plate

No.	Notes	MODEL TECHNICAL VARIATION COOLING CAPACITY	RQNL B 024	RQNL B 030	RQNL B 036	RQNL B 042	RQNL B 048
PANELS, MISCELLANEOUS PARTS (Granite/Steel Gray, After F4411)							
1		Front Base Pan	AS-58628-06H	AS-58628-06H	AS-58628-06H	AS-58628-06H	AS-58628-06H
2		Base Rail (2)	AE-58562-03	AE-58562-03	AE-58562-03	AE-58562-03	AE-58562-03
3		Base Rail (2)	AE-58562-04	AE-58562-04	AE-58562-04	AE-58562-04	AE-58562-04
4		Back Base Pan	AS-58607-64	AS-58607-64	AS-58607-64	AS-58607-64	AS-58607-64
5		Blower Shelf	AS-58630-01	AS-58630-01	AS-58630-01	AS-58630-01	AS-58630-01
6		Blower Shelf Transition	AS-58607-19	AS-58607-19	AS-58607-19	AS-58607-19	AS-58607-19
7		Divider Panel	AS-58607-03	AS-58607-03	AS-58607-03	AS-58607-03	AS-58607-03
8		Bulkhead Assembly	AS-58607-55	AS-58607-57	AS-58607-63	AS-58607-57	AS-58607-57
9		Corner Post	AS-58607-39H	AS-58607-53H	AS-58607-53H	AS-58607-53H	AS-58607-53H
10		Blower Access Panel	AS-58607-09H	AS-58607-47H	AS-58607-47H	AS-58607-47H	AS-58607-47H
11		End Panel	AS-58607-04H	AS-58607-48H	AS-58607-48H	AS-58607-48H	AS-58607-48H
12		Supply Cover - Downflow	AS-58607-06H	AS-58607-06H	AS-58607-06H	AS-58607-06H	AS-58607-06H
12		Supply Cover - Side Option - "AKA"	AS-58607-35H	AS-58607-35H	AS-58607-35H	AS-58607-35H	AS-58607-35H
13		Return Cover - Downflow	AS-58607-05H	AS-58607-05H	AS-58607-05H	AS-58607-05H	AS-58607-05H
13		Return Cover - Side Option - "AKA"	AS-58607-34H	AS-58607-34H	AS-58607-34H	AS-58607-35H	AS-58607-35H
14		Top Panel	AS-58607-58H	AS-58607-54H	AS-58607-59H	AS-58607-54H	AS-58607-54H
15		Grille	95-100906-08	95-100906-08	95-100906-08	95-100906-08	95-100906-08
16		Filter Access Panel	AS-58607-08H	AS-58607-49H	AS-58607-49H	AS-58607-49H	AS-58607-49H
17		Condenser Louver Panel	AS-58607-61H	AS-58607-56H	AS-58607-56H	AS-58607-56H	AS-58607-56H
18		Center Post	AS-58569-06H	AS-58569-08H	AS-58569-08H	AS-58569-08H	AS-58569-08H
19		Control Access Panel	AS-58568-02H	AS-58568-04H	AS-58568-04H	AS-58568-04H	AS-58568-04H
20		Control Box - (w/o components)	AE-58597-01	AE-58597-01	AE-58597-01	AE-58597-01	AE-58597-01
21		Control Box Cover	AE-58598-01	AE-58598-01	AE-58598-01	AE-58598-01	AE-58598-01
22		Blank-Off Plate (No Heat Models Only)	AS-58607-17	AS-58607-17	AS-58607-17	AS-58607-17	AS-58607-17
23		Bulkhead Valve (2)	61-22369-04	61-22369-04	61-22369-04	61-22369-04	61-22369-04
24		Heater Mounting Panel	AS-58607-16	AS-58607-16	AS-58607-16	AS-58607-16	AS-58607-16
		Bulkhead Valve Locknut (2)	63-22368-01	63-22368-01	63-22368-01	63-22368-01	63-22368-01
		Bulkhead Valve Cap (2)	83-100635-01	83-100635-01	83-100635-01	83-100635-01	83-100635-01
		Low Voltage Connection Box	AE-58647-01	AE-58647-01	AE-58647-01	AE-58647-01	AE-58647-01

No.	Notes	MODEL TECHNICAL VARIATION COOLING CAPACITY	RQNL B 024	RQNL B 030	RQNL B 036	RQNL B 042	RQNL B 048
PANELS, MISCELLANEOUS PARTS (Neutra Green, Before F4411)							
1		Front Base Pan	AS-58628-06A	AS-58628-06A	AS-58628-06A	AS-58628-06A	AS-58628-06A
2		Base Rail (2)	AE-58562-03	AE-58562-03	AE-58562-03	AE-58562-03	AE-58562-03
3		Base Rail (2)	AE-58562-04	AE-58562-04	AE-58562-04	AE-58562-04	AE-58562-04
4		Back Base Pan	AS-58607-64	AS-58607-64	AS-58607-64	AS-58607-64	AS-58607-64
5		Blower Shelf	AS-58630-01	AS-58630-01	AS-58630-01	AS-58630-01	AS-58630-01
6		Blower Shelf Transition	AS-58607-19	AS-58607-19	AS-58607-19	AS-58607-19	AS-58607-19
7		Divider Panel	AS-58607-03	AS-58607-03	AS-58607-03	AS-58607-03	AS-58607-03
8		Bulkhead Assembly	AS-58607-55	AS-58607-57	AS-58607-63	AS-58607-57	AS-58607-57
9		Corner Post	AS-58607-39A	AS-58607-53A	AS-58607-53A	AS-58607-53A	AS-58607-53A
10		Blower Access Panel	AS-58607-09A	AS-58607-47A	AS-58607-47A	AS-58607-47A	AS-58607-47A
11		End Panel	AS-58607-04A	AS-58607-48A	AS-58607-48A	AS-58607-48A	AS-58607-48A
12		Supply Cover - Downflow	AS-58607-06A	AS-58607-06A	AS-58607-06A	AS-58607-06A	AS-58607-06A
12		Supply Cover - Side Option - "AKA"	AS-58607-35A	AS-58607-35A	AS-58607-35A	AS-58607-35A	AS-58607-35A
13		Return Cover - Downflow	AS-58607-05A	AS-58607-05A	AS-58607-05A	AS-58607-05A	AS-58607-05A
13		Return Cover - Side Option - "AKA"	AS-58607-34A	AS-58607-34A	AS-58607-34A	AS-58607-34A	AS-58607-34A
14		Top Panel	AS-58607-58A	AS-58607-54A	AS-58607-59A	AS-58607-54A	AS-58607-54A
15		Grille	95-100906-08	95-100906-08	95-100906-08	95-100906-08	95-100906-08
16		Filter Access Panel	AS-58607-08A	AS-58607-49A	AS-58607-49A	AS-58607-49A	AS-58607-49A
17		Condenser Louver Panel	AS-58607-61A	AS-58607-56A	AS-58607-56A	AS-58607-56A	AS-58607-56A
18		Center Post	AS-58569-06A	AS-58569-08A	AS-58569-08A	AS-58569-08A	AS-58569-08A
19		Control Access Panel	AS-58568-02A	AS-58568-04A	AS-58568-04A	AS-58568-04A	AS-58568-04A
20		Control Box - (w/o components)	AE-58597-01	AE-58597-01	AE-58597-01	AE-58597-01	AE-58597-01
21		Control Box Cover	AE-58598-01	AE-58598-01	AE-58598-01	AE-58598-01	AE-58598-01
22		Blank-Off Plate (No Heat Models Only)	AS-58607-17	AS-58607-17	AS-58607-17	AS-58607-17	AS-58607-17
23		Bulkhead Valve (2)	61-22369-04	61-22369-04	61-22369-04	61-22369-04	61-22369-04
24		Heater Mounting Panel	AS-58607-16	AS-58607-16	AS-58607-16	AS-58607-16	AS-58607-16
		Bulkhead Valve Locknut (2)	63-22368-01	63-22368-01	63-22368-01	63-22368-01	63-22368-01
		Bulkhead Valve Cap (2)	83-100635-01	83-100635-01	83-100635-01	83-100635-01	83-100635-01
		Low Voltage Connection Box	AE-58647-01	AE-58647-01	AE-58647-01	AE-58647-01	AE-58647-01

No.	Notes	MODEL TECHNICAL VARIATION COOLING CAPACITY ELECTRICAL DESIGNATION	RQNL	RQNL	RQNL	RQNL	RQNL	
			B 024 J	B 030 J	B 036 J	B 042 J	B 048 J	
ELECTRICAL GROUP								
31	Stk	Relay - Blower Motor	42-101208-01	42-101208-01	42-101208-01	42-21571-08	42-21571-08	
32	Stk	Contactator	42-42728-03	42-42728-03	42-42728-03	42-42728-03	42-42728-03	
33	Stk	Terminal Strip	45-23591-01	45-23591-01	45-23591-01	45-23591-01	45-23591-01	
34	Stk	Sequencing Relay	42-21593-03	42-21593-03	42-21593-03	N/A	N/A	
35	Stk,2	Defrost Control - Before approximate Date Code F3710 (See Note 2)	47-21517-23	47-21517-23	47-21517-23	47-21517-23	47-21517-23	
35	Stk,2	Defrost Control - After approximate Date Code F3710 (See Note 2)	47-102685-05	47-102685-05	47-102685-05	47-102685-05	47-102685-05	
36	Stk	Transformer	46-100836-05	46-100836-05	46-100836-05	46-100836-05	46-100836-05	
37		Blower Capacitor	See Blower Group					
38		Ground Lug	45-19000-01	45-19000-01	45-19000-01	45-19000-01	45-19000-01	
39		Capacitor - Compressor/Fan	See Fan Group					
		Wiring Harness - 6 pin to heater kit	45-104222-01	45-104222-01	45-104222-01	45-104222-01	45-104222-01	
43	Stk	Limit Control - Blower Shelf	47-25334-01	47-25334-01	47-25334-01	47-25334-01	47-25334-01	
44		Capacitor Adapter Plate (2 in. round capacitor)	AE-54609-01	AE-54609-01	AE-54609-01	AE-54609-01	AE-54609-01	
44		Capacitor Adapter Plate (2 in. X 1-1/4 in. oval capacitor)	AE-54609-02	AE-54609-02	AE-54609-02	AE-54609-02	AE-54609-02	

No.	Notes	MODEL TECHNICAL VARIATION COOLING CAPACITY ELECTRICAL DESIGNATION	RQNL	RQNL	RQNL			
			B 036 C	B 042 C	B 048 C			
ELECTRICAL GROUP								
31	Stk	Relay - Blower Motor	42-101208-01	42-21571-08	42-21571-08			
32	Stk	Contactator	42-22464-01	42-22464-01	42-22464-01			
33	Stk	Terminal Strip	N/A	45-23591-01	45-23591-01			
34	Stk	Sequencing Relay	42-21593-03	N/A	N/A			
35	Stk,2	Defrost Control - Before approximate Date Code F3710 (See Note 2)	47-21517-23	47-21517-23	47-21517-23			
35	Stk,2	Defrost Control - After approximate Date Code F3710 (See Note 2)	47-102685-05	47-102685-05	47-102685-05			
36	Stk	Transformer	46-100836-05	46-100836-05	46-100836-05			
38		Ground Lug	45-19000-01	45-19000-01	45-19000-01			
39		Capacitor - Compressor/Fan	See Fan Group					
		Wiring Harness - 6 pin to heater kit	45-104222-01	45-104222-01	45-104222-01			
43	Stk	Limit Control - Blower Shelf	47-25334-01	47-25334-01	47-25334-01			
44		Capacitor Adapter Plate (2 in. round capacitor)	AE-54609-01	AE-54609-01	AE-54609-01			
44		Capacitor Adapter Plate (2 in. X 1-1/4 in. oval capacitor)	AE-54609-02	AE-54609-02	AE-54609-02			

No.	Notes	MODEL TECHNICAL VARIATION COOLING CAPACITY ELECTRICAL DESIGNATION	RQNL	RQNL	RQNL	RQNL	RQNL
			B 024 J	B 030 J	B 036 J	B 042 J	B 048 J
FAN GROUP							
Note: 024, 030, and 036 units produced before approximately F3706 may have been produced with a different motor, capacitor, and fan blade combination than shown below. If replacing any of these components on older units, all three components must be changed in accordance with those listed below. Failure to do so may affect motor reliability and increase fan noise.							
39	Stk	Capacitor - Fan/Compressor	43-26271-09	43-26271-09	43-26271-41	43-101665-42	43-101665-47
40	Stk	Fan Motor	51-100998-24	51-100998-24	51-100998-24	51-100998-19	51-100998-19
41	Stk	Fan Blade	70-101323-19	70-101323-19	70-101323-19	70-23594-02	70-23594-02

No.	Notes	MODEL TECHNICAL VARIATION COOLING CAPACITY ELECTRICAL DESIGNATION	RQNL	RQNL	RQNL		
			B 036 C	B 042 C	B 048 C		
FAN GROUP							
39	Stk	Capacitor - Fan Motor	43-100496-04	43-100496-09	43-100496-09		
40	Stk	Fan Motor	51-100998-24	51-100998-19	51-100998-19		
41	Stk	Fan Blade	70-101323-19	70-23594-02	70-23594-02		

No.	Notes	MODEL TECHNICAL VARIATION COOLING CAPACITY ELECTRIC DESIGNATION	RQNL B 024 J	RQNL B 030 J	RQNL B 036 J	RQNL B 042 J	RQNL B 048 J
BLOWER GROUP							
	Stk	Blower Assembly (Includes items 37 and 51-56)	AS-58662-01	AS-58662-05	AS-58662-03	AS-58662-29	AS-58662-30
37	Stk	Capacitor - Blower Motor	43-100496-04	43-100496-12	43-100496-12	N/A	N/A
51		Housing	AS-58619-01	AS-58619-02	AS-58619-02	AS-58619-02	AS-58619-02
52	Stk	Blower Wheel	70-20218-01	70-18625-03	70-18625-03	70-18625-03	70-18625-03
53		Cut-Off	AE-64401-10	AE-64401-06	AE-64401-06	AE-64401-06	AE-64401-06
54	Stk	Blower Motor	51-23608-02	51-23609-04	51-23645-02	51-101920-10	51-101920-11
		Motor Mounting Bracket Assembly (Includes 55, 56)	AS-53148-03	AS-53148-04	AS-53148-04	N/A	N/A
55		Motor Band	70-19927-01	70-19927-01	70-19927-01	70-19927-03	70-19927-03
56		Arm Assembly	70-19929-02	70-19929-02	70-19929-02	70-19929-09	70-19929-09

No.	Notes	MODEL TECHNICAL VARIATION COOLING CAPACITY ELECTRIC DESIGNATION	RQNL B 036 C	RQNL B 042 C	RQNL B 048 C		
BLOWER GROUP							
	Stk	Blower Assembly (Includes items 37 and 51-56)	AS-58662-03	AS-58662-29	AS-58662-30		
37	Stk	Capacitor - Blower Motor	43-100496-12	N/A	N/A		
51		Housing	AS-58619-02	AS-58619-02	AS-58619-02		
52	Stk	Blower Wheel	70-18625-03	70-18625-03	70-18625-03		
53		Cut-Off	AE-64401-06	AE-64401-06	AE-64401-06		
54	Stk	Blower Motor	51-23645-02	51-101920-10	51-101920-11		
		Motor Mounting Bracket Assembly (Includes 55, 56)	AS-53148-04	N/A	N/A		
55		Motor Band	70-19927-01	70-19927-03	70-19927-03		
56		Arm Assembly	70-19929-02	70-19929-09	70-19929-09		

No.	Notes	MODEL TECHNICAL VARIATION COOLING CAPACITY	RQNL B 024	RQNL B 030	RQNL B 036	RQNL B 042	RQNL B 048
COIL GROUP							
CONDENSER COIL							
61	Stk	Condenser Coil	AS-102015-03	AS-102016-03	AS-102017-03	AS-102014-03	AS-102014-03
		Distributor Assembly	83-101782-01	83-101782-02	83-101782-02	83-101782-03	83-101782-03
		Access Valve Body	61-18542-01	61-18542-01	61-18542-01	61-18542-01	61-18542-01
		Access Valve Core	61-18551-01	61-18551-01	61-18551-01	61-18551-01	61-18551-01
EVAPORATOR COIL:							
62	Stk	Evaporator Coil w/Drain Pan	AS-102660-05	AS-102660-06	AS-102660-06	AS-102660-07	AS-102660-07
62	Stk	Evaporator Coil w/Drain Pan (Tin Plated)	AS-104668-05	AS-104668-06	AS-104668-06	AS-104668-07	AS-104668-07
63		Drain Pan Grommet	56-23601-01	56-23601-01	56-23601-01	56-23601-01	56-23601-01
64	Stk	Drain Pan - Before F4507	AS-58607-32	AS-58607-32	AS-58607-32	AS-58607-32	AS-58607-32
64	Stk	Drain Pan - After F4507	68-23602-02	68-23602-02	68-23602-02	68-23602-02	68-23602-02
64a		Drain Trap - (Attached to Drain Pan)	68-23603-01	68-23603-01	68-23603-01	68-23603-01	68-23603-01
65		Auxiliary Drain Pipe	AE-58611-01	AE-58611-01	AE-58611-01	AE-58611-01	AE-58611-01
66	Stk	TXV	61-102211-06	61-102211-07	61-102211-07	61-102211-08	61-102211-08
67		Condensate Shield	AE-101751-01	AE-101751-02	AE-101751-02	AE-101751-02	AE-101751-02
68		Condensate Barrier	AE-100544-01	AE-100544-02	AE-100544-02	AE-100544-02	AE-100544-02
69		Distributor Assembly	83-102202-01	83-102202-02	83-102202-02	83-102202-03	83-102202-03
REFRIGERATION GROUP:							
71	Stk	Charge Compensator	N/A	N/A	83-25361-02	83-25361-06	83-25361-12
72	Stk,1	Reversing Valve w/Coil - See Note 1	61-102498-09	61-102498-09	61-102498-09	61-102498-09	61-101684-06
	Stk	Solenoid Coil - Reversing Valve	61-101713-01	61-101713-01	61-101713-01	61-101713-01	61-101713-01
		Wiring Harness - Reversing Valve	61-26149-01	61-26149-01	61-26149-01	61-26149-01	61-26149-01
73		TXV Bulb Strap Kit	64-101357-01	64-101357-01	64-101357-01	64-101357-01	64-101357-01
74		Strainer	83-26020-02	83-26020-02	83-26020-02	83-26020-02	83-26020-02
75		Filter Drier	83-41714-03	83-41714-03	83-41714-03	83-41714-01	83-41714-01

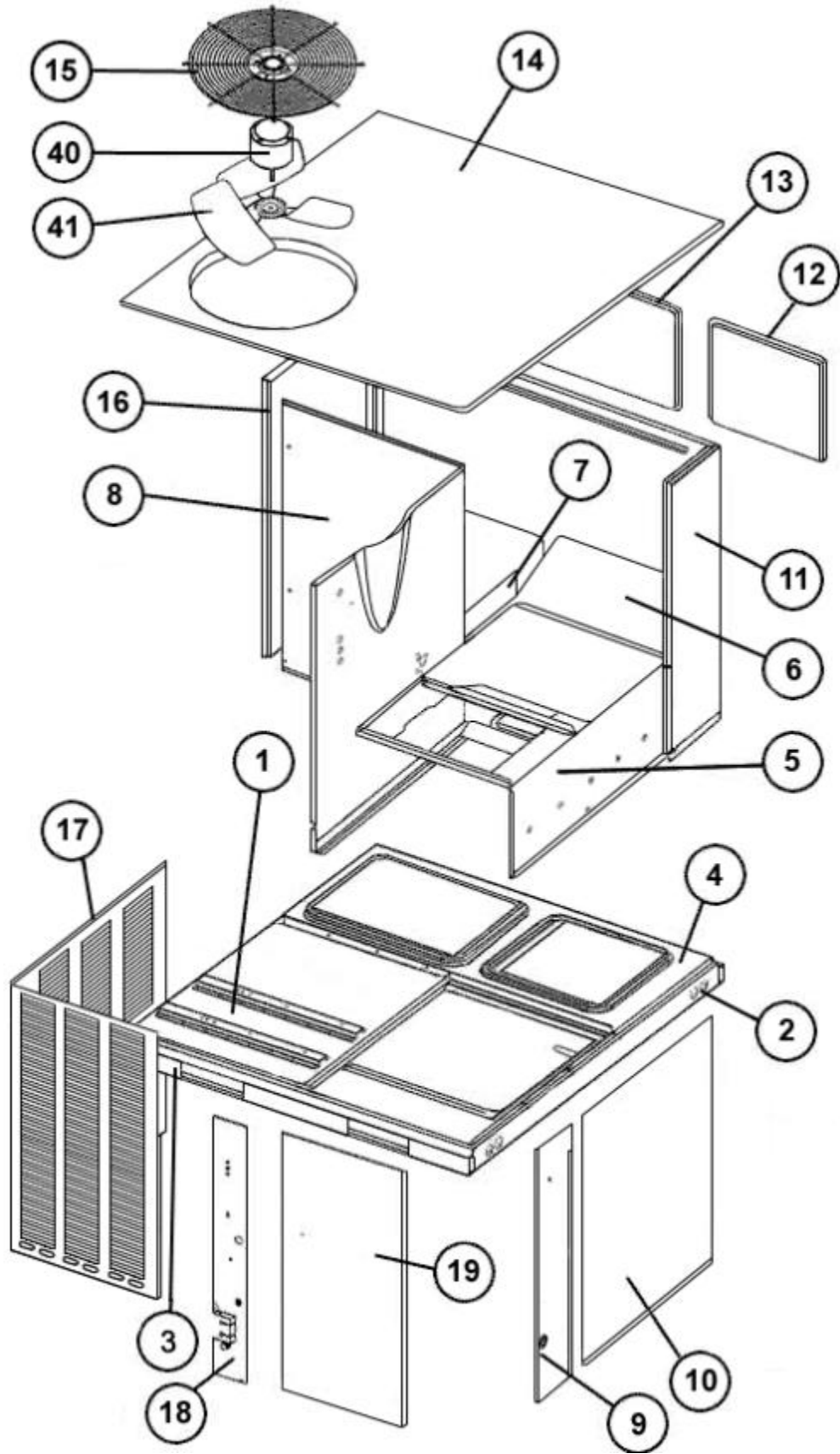
No.	Notes	MODEL	RQNL	RQNL	RQNL	RQNL	RQNL	
		TECHNICAL VARIATION	B	B	B	B	B	
		COOLING CAPACITY	024	030	036	042	048	
		ELECTRICAL DESIGNATION	J	J	J	J	J	
COMPRESSOR GROUP								
		Compressor ID:	7456	7457	7458	7459	7460	
81	Stk	Compressor	55-102045-01S	55-102045-02S	55-102045-03S	55-102045-06S	55-102045-09S	
82		Grommet (4)	56-18518-04	56-18518-04	56-18518-04	56-18518-06	56-18518-06	
	Stk	Compressor Wiring Harness (Molded Plug)	45-100834-80	45-100834-80	45-100834-80	45-100834-80	45-100834-80	
	Stk	Low Pressure Control - After Approximate Date Code F3710	47-102240-02	47-102240-02	47-102240-02	47-102240-02	47-102240-02	
		Capacitor - Compressor/Fan	See Fan Group					

No.	Notes	MODEL	RQNL	RQNL	RQNL		
		TECHNICAL VARIATION	B	B	B		
		COOLING CAPACITY	036	042	048		
		ELECTRICAL DESIGN	C	C	C		
COMPRESSOR GROUP							
		Compressor ID:	7461	7462	7463		
81	Stk	Compressor	55-102045-05S	55-102045-08S	55-102045-11S		
82		Grommet (4)	56-18518-04	56-18518-06	56-18518-04		
	Stk	Compressor Wiring Harness (Molded Plug)	45-100834-80	45-100834-80	45-100834-80		
	Stk	Low Pressure Control - After Approximate Date Code F3710	47-102240-02	47-102240-02	47-102240-02		

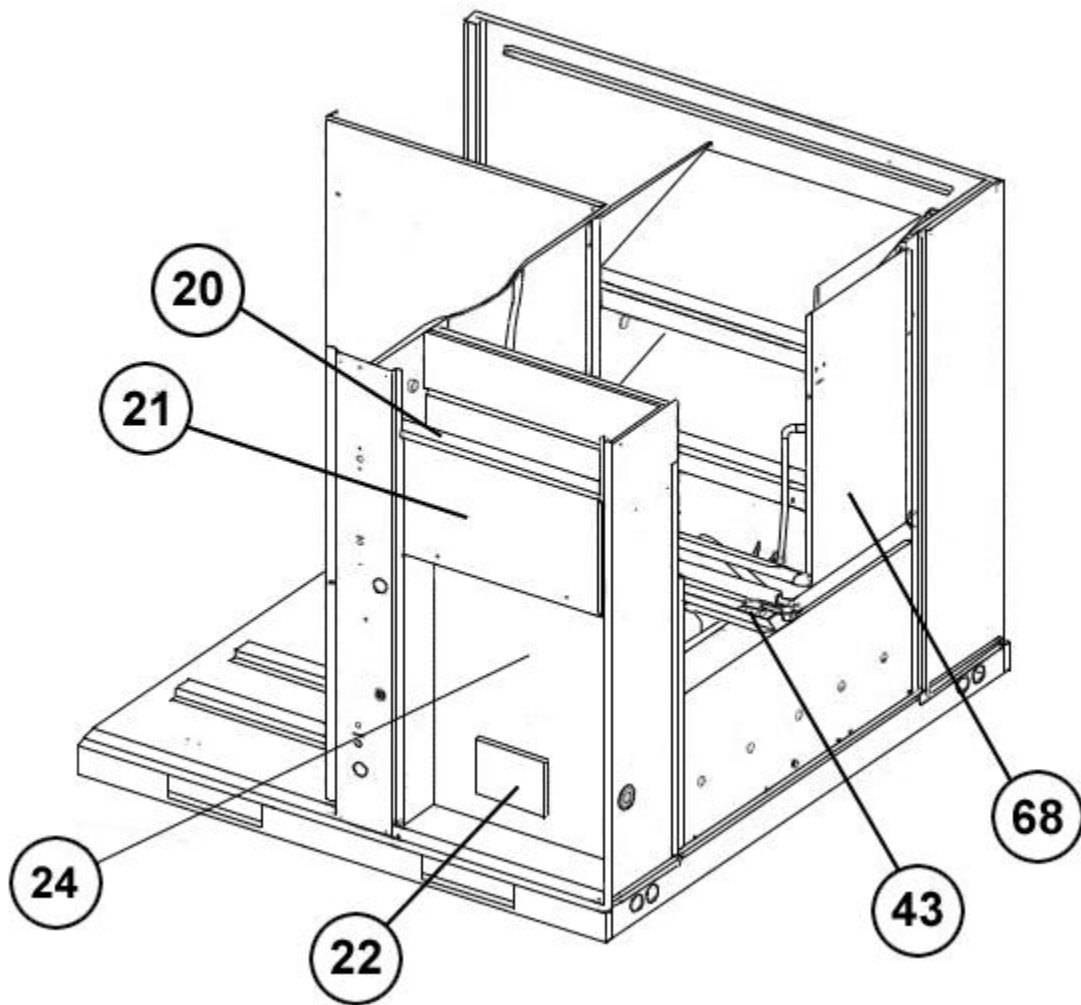
No.	Notes	MODEL TECHNICAL VARIATION COOLING CAPACITY ELECTRICAL DESIGNATION	RQNL B 024 J	RQNL B 030 J	RQNL B 036 J	RQNL B 042 J	RQNL B 048 J
HEATER KITS							
		Heater Kit - 5kW	RXQJ-A05J	RXQJ-A05J	RXQJ-B06J	RXQJ-B06J	RXQJ-B06J
		Heater Kit - 10kW	RXQJ-A10J	RXQJ-A10J	RXQJ-A10J	RXQJ-B10J	RXQJ-B10J
		Heater Kit - 15kW	N/A	N/A	RXQJ-A15J	RXQJ-B15J	RXQJ-B15J

No.	Notes	MODEL TECHNICAL VARIATION COOLING CAPACITY ELECTRICAL DESIGNATION	RQNL B 036 C	RQNL B 042 C	RQNL B 048 C		
HEATER KITS							
		Heater Kit - 10kW	RXQJ-A10C	RXQJ-A10C	RXQJ-A10C		
		Heater Kit - 15kW	RXQJ-A15C	RXQJ-A15C	RXQJ-A15C		

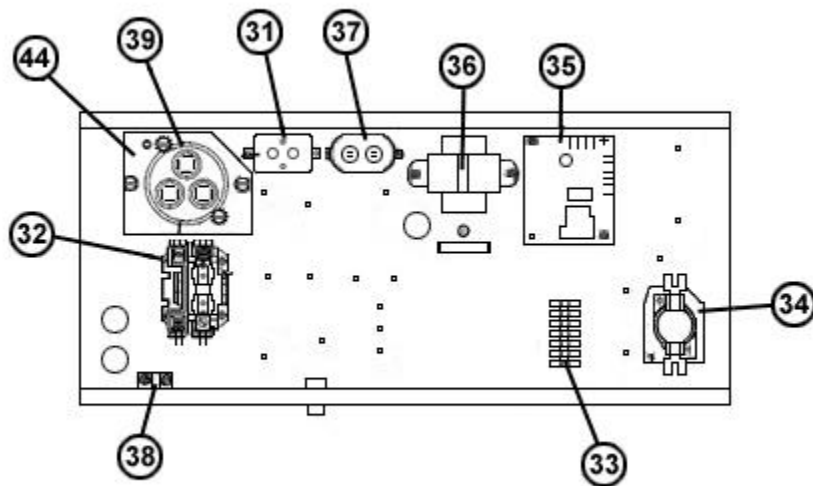
No.	Notes	MODEL VARIATIONS	RQNL ALL				
OPTIONS AND ACCESSORIES							
		Economizer - Downflow, 3 Position	RXRE-CAA30				
		Economizer - Downflow, Fully Modulating	RXRD-CAM10				
		Economizer - Horizontal Application, Fully Modulating	RXRD-CCM10				
		Fresh Air Damper - Fixed, 35%	RXRF-FAA1				
		Fresh Air Damper - Motorized, 35%	RXRF-FAB1				
		Filter Kit	RXRY-B01				
		Low Ambient Control	RXPZ-G01				
		High Pressure Control	RXAB-D01				
		Outdoor Thermostat	RXPT-A01				



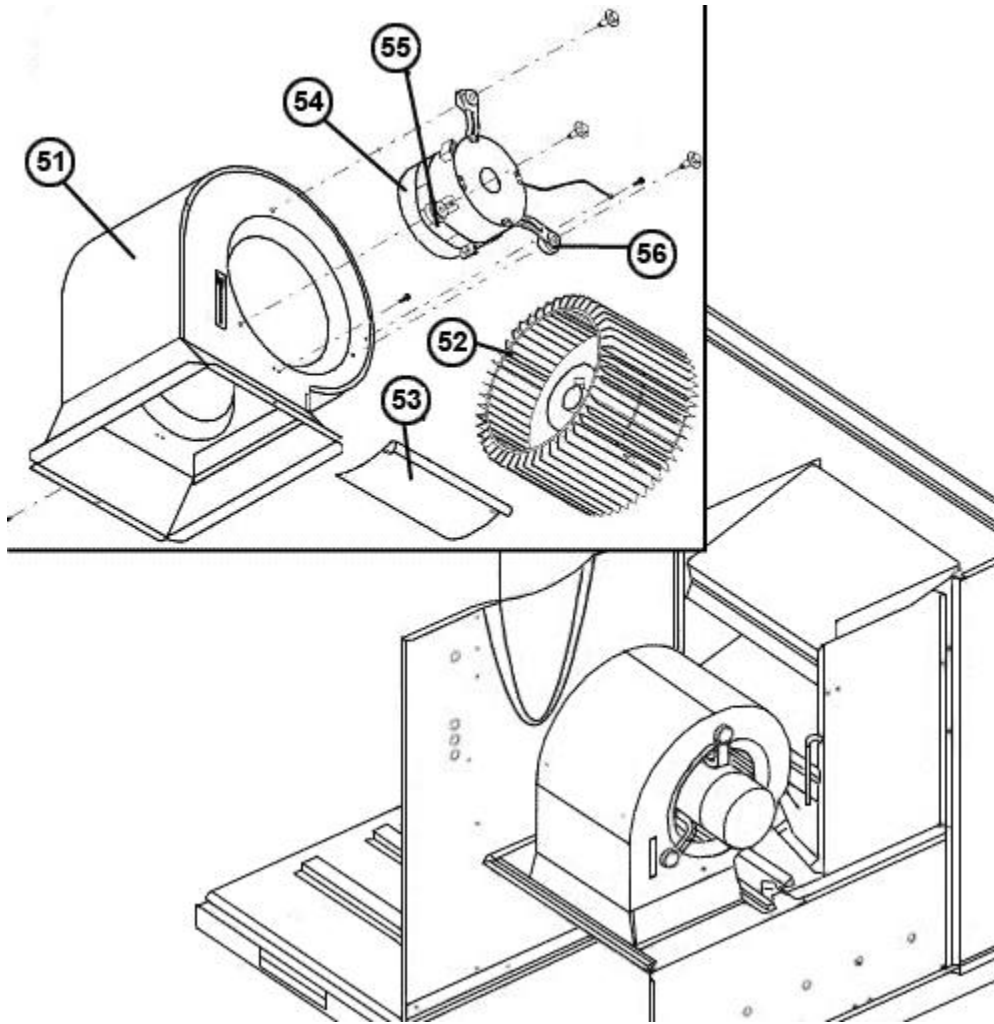
Exploded View



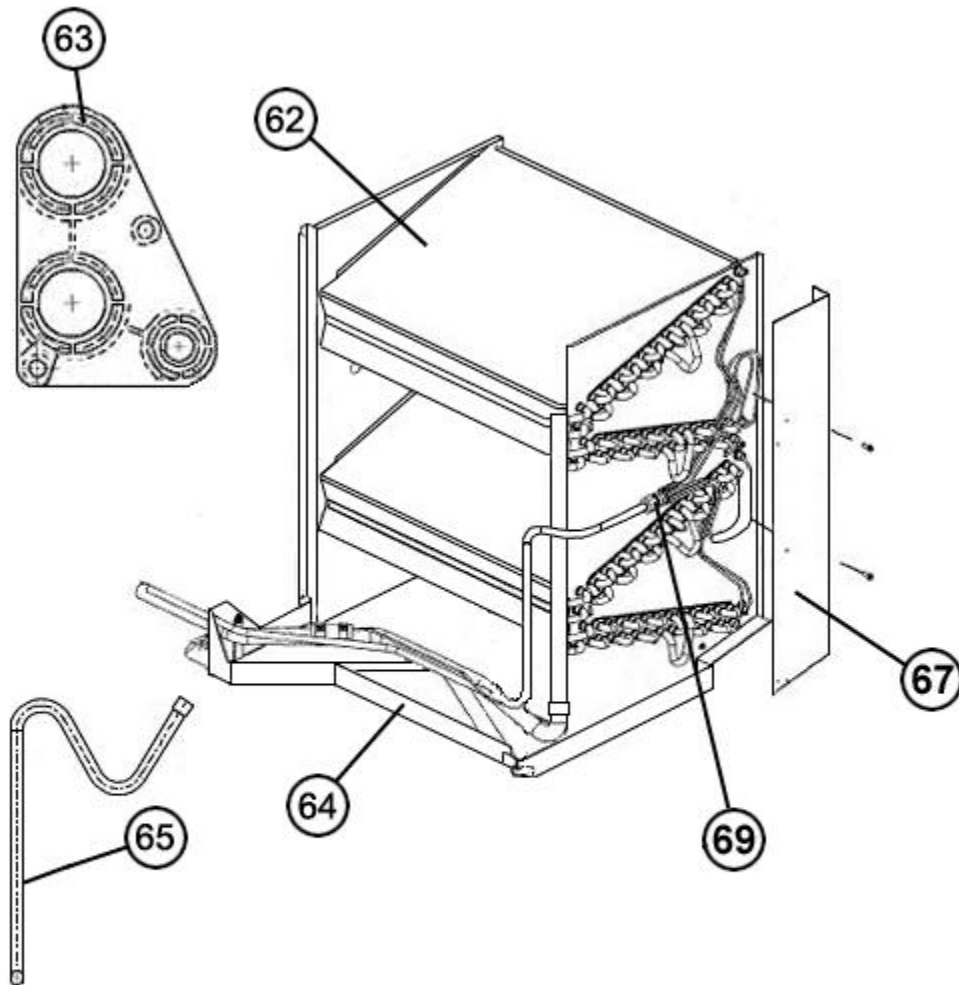
Control Access Panel Detail



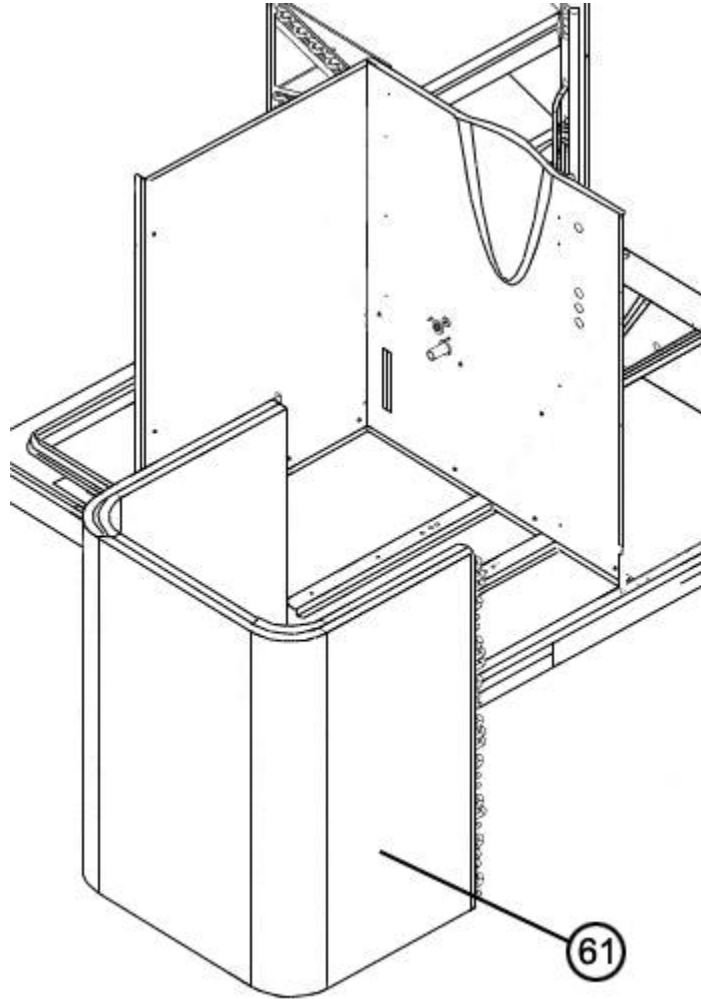
Control Box Assembly



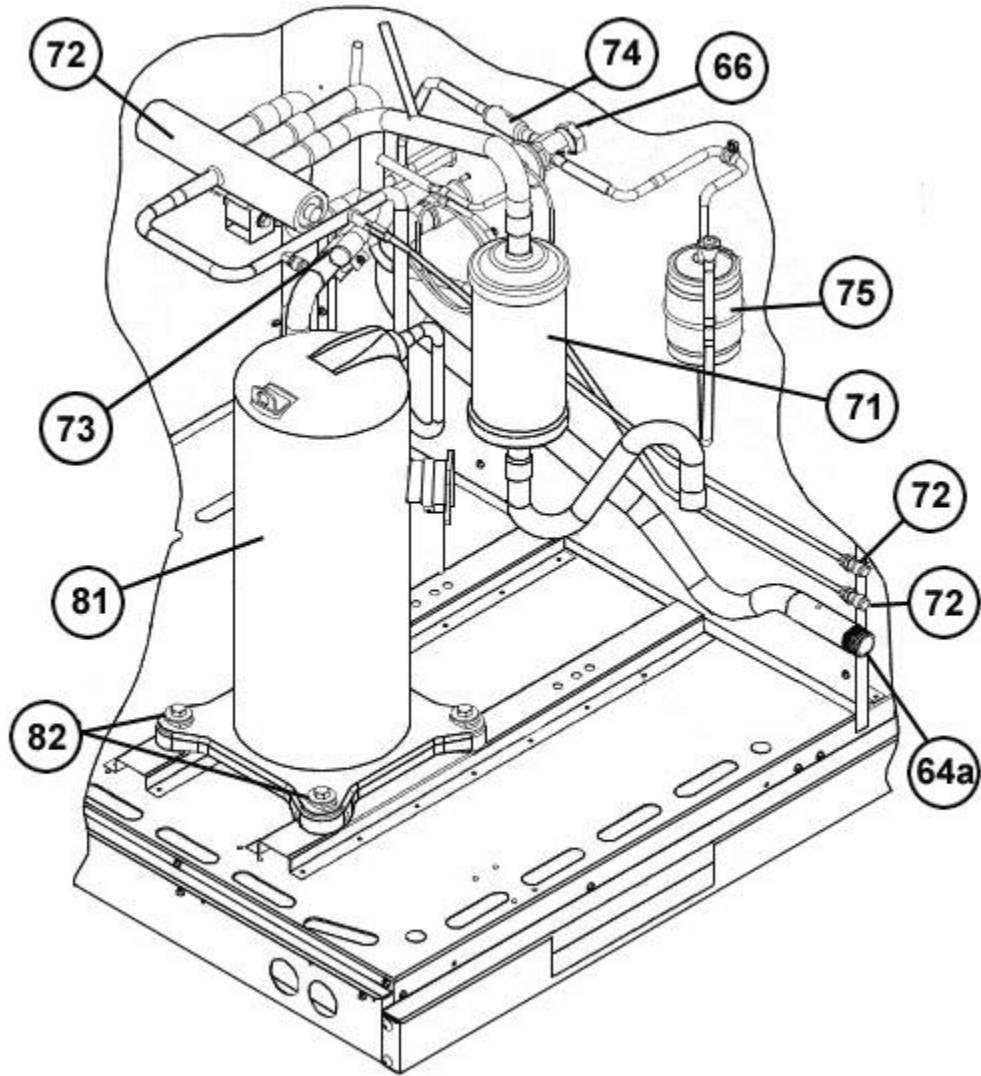
Blower Assembly



EvaporatorCoil Assembly



Condenser Coil



Compressor and Refrigeration Components

NOTES

Stk It is recommended that stock be maintained for this part.

N/A Not Applicable

- 1 The reversing valve specified for 024, 030, 036, 042, 048 models may be different than the one originally supplied with the equipment. The use of the specified valve is recommended for improved shifting performance.
- 2 The rectangle-shaped defrost control board used in later production models may be retrofitted in place of the square shaped board used in earlier production. The later defrost board includes support for high and low refrigerant pressure controls and also includes a 30 second compressor delay for noise abatement during defrost. If the unit does not include pressure controls, jumpers will need to be field supplied for these terminals.

DISCLAIMER: This document is intended to provide general replacement parts information to aid qualified service personnel in the repair of these models. The complete Model and Serial Number of the unit under repair should be specified when selecting and ordering replacement parts. Specifications and illustrations are subject to change without notice. Document 92-42800-RQNL-B supersedes all previous parts lists for these models. See <http://www.rheempartslists.net/92-42800-RQNL-B> for the latest revision of this document. The manufacturer assumes no obligation for errors or omissions. Service personnel must verify the proper and safe operation of equipment after the replacement of any original components.