



SUBMITTAL COVER SHEET

PROJECT NAME _____

LOCATION _____

ARCHITECT _____

ENGINEER _____

CONTRACTOR _____

SUBMITTED BY _____ DATE _____

UNIT SUMMARY

Quantity						
Unit Designation						
Model No.						
Total Cooling						
Sensible Cooling						
Air Ent. Evaporator						
Air Lvg. Evaporator						
Heating Input						
Heating Output						
CFM/ESP						
EER/SEER						
Electrical						
Minimum Ampacity						
Min.-Max. Breaker						
Net Unit Weight						
Accessory						
Catalog Form Number						

ACCESSORIES:

NOTES:

SUBMITTAL SHEET FOR RQNJ- PACKAGE HEAT PUMP UNITS

2 Thru 5 Nominal Tons [7 thru 17.6 kW]

JOB NAME _____ DATE _____

CONTRACTOR _____ UNIT DESIGNATION _____

ENGINEER _____ MODEL NO. _____

SUBMITTED FOR APPROVAL RECORD LOCATION _____

SUBMITTED BY _____ ORDER NO. _____

UNIT DATA

COOLING PERFORMANCE

TOTAL CAPACITY* MBH
 SENSIBLE CAPACITY* MBH
 OUTDOOR DESIGN TEMP. °F [°C] DB/WB
 TOTAL SUPPLY AIR CFM [L/s]
 TEMP. OF AIR ENTERING
 EVAPORATOR COIL..... °F [°C] DB/WB
 POWER INPUT REQUIREMENT KW
 SEER RATING.....
 (*uses blower motor heat)

HEATING PERFORMANCE

GAS HEAT INPUT CAPACITY..... MBH
 HEAT PUMP HEATING PERFORMANCE
 CAPACITY @ 47°F MBH
 CAPACITY @ 17°F MBH
 COEFFICIENT OF PERFORMANCE
 @ 47°F..... C.O.P.
 @ 17°F..... C.O.P.
 ELECTRIC HEAT CAPACITY KW
 H.S.P.F.

SUPPLY AIR BLOWER PERFORMANCE

TOTAL SUPPLY AIR CFM [L/s]
 TOTAL RESISTANCE EXTERNAL
 TO UNIT IWG
 BLOWER SPEED RPM
 POWER OUTPUT REQUIREMENT .. BHP
 MOTOR RATING HP [W]
 POWER INPUT REQUIREMENT KW

ELECTRICAL DATA

POWER SUPPLY / /
 TOTAL UNIT AMPACITY..... AMPS
 MINIMUM WIRE SIZE AWG
 MAXIMUM OVERCURRENT DEVICE
 FUSES HACR BREAKER AMPS

TOTAL UNIT WEIGHT

TOTAL OPERATING WEIGHT LBS [kg]
 (including field-installed accessories)

CLEARANCES

SIDE "A"	18" [457 mm]
SIDE "B"	0"
SIDE "C"	12" [305 mm]
SIDE "D"	30" [762 mm]
ABOVE UNIT	60" [1524 mm]

FEATURES FOR RQNJ-

- Scroll Compressor
- Copper Tube/Aluminum Fin Coils
- Powder painted louvered steel cabinet protects coil from damage
- Painted Base Pan
- Demand Defrost Control
- Non-Cycling Reversing Valve
- Gauge Ports
- Control box is fully accessible
- Power and control wiring are kept separate
- Certified and rated under ARI Standard 240
- U.L. listed
- Factory run tested prior to shipment
- Factory limited warranty on parts as follows:
 Condenser Coil leaks caused by
 factory defectsFive (5) Years
 CompressorFive (5) Years
 Any Other Parts
 Single-Phase Residential ApplicationsFive (5) Years
 Commercial Applications.....One (1) Year

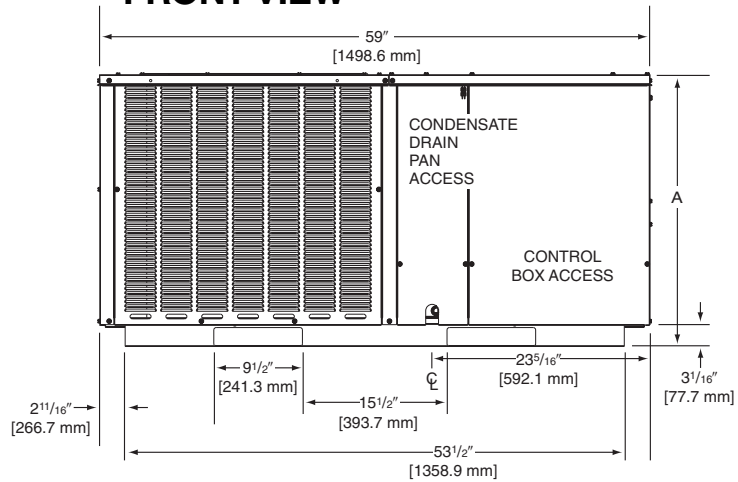
[] Designates Metric Conversions



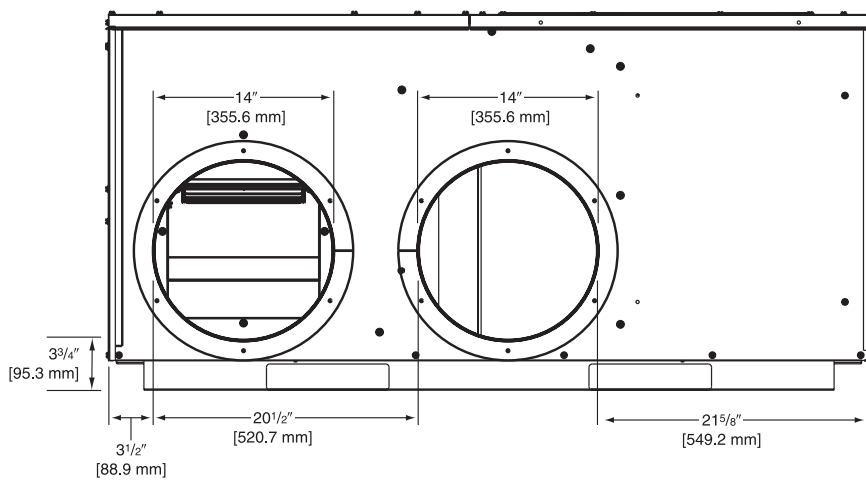
DIMENSIONS

Model	Height "A"
024, 030, 036	29 1/8"
042, 048, 060	37 1/8"

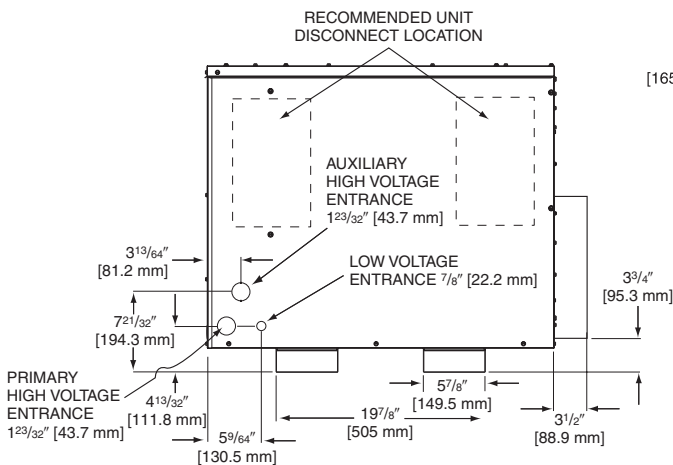
FRONT VIEW



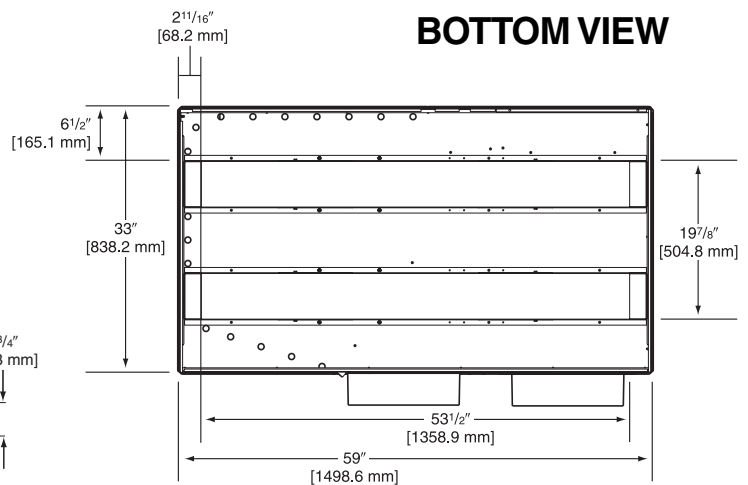
REAR VIEW



ELECTRICAL CONNECTIONS



BOTTOM VIEW



[] Designates Metric Conversions

Before proceeding with installation, refer to installation instructions packaged with each model, as well as complying with all Federal, State, Provincial, and Local codes, regulations, and practices.

RHEEM
MANUFACTURING
COMPANY
5600 Old Greenwood Road, Fort Smith, Arkansas 72908

"In keeping with its policy of continuous progress and product improvement, Rheem reserves the right to make changes without notice."