



RQNA-B

Parts List
30-November-2011



*This parts list is current as of the above revision date.
See <http://www.rheempartslists.net/92-42800-RQNA-B.pdf> for the current revision.*

Package Heat Pumps

Table of Contents

Model Explanation	Page 3
Parts Numbers	
Panels - Miscellaneous.....	Page 4
Electrical Group.....	Page 5
Fan Group	Page 5
Blower Group	Page 6
Coil Parts	Page 6
Compressor Group.....	Page 7
Heater Kits.....	Page 8
Accessories.....	Page 8
Drawings/Photographs	
Exploded View	Page 9
Control Access Panel Detail	Page 10
Control Box Assembly.....	Page 11
Blower Assembly.....	Page 12
EvaporatorCoil Assembly.....	Page 13
Condenser Coil	Page 14
Compressor and Refrigeration Components	Page 15
Notes/Disclaimer	Page 16

MODEL NUMBER EXPLANATION

R	Q	N	A	-	B	0	3	6	J	K	0	1	0	A	K	A
1	2	3	4		5	6			7	8	9			10		

- | | |
|--|---|
| <p>1 TRADENAME</p> <p>2 Q = PACKAGED HEAT PUMP</p> <p>3 EFFICIENCY DESIGNATION
N = High Efficiency - 13 SEER</p> <p>4 DESIGN SERIES
A = First Design</p> <p>5 TECHNICAL VARIATIONS</p> <p>6 COOLING CAPACITY (BTU/HR)
024 = 24,000 042 = 42,000
030 = 30,000 048 = 48,000
036 = 36,000</p> | <p>7 ELECTRIC DESIGNATION
J = 208-230/1/60
C = 208-230/3/60</p> <p>8 DRIVE PACKAGE
K = Direct Drive</p> <p>9 RESISTANCE HEAT DESIGNATION
000 = No Resistance Heat
005 = 5 kW
010 = 10 kW
015 = 15 kW</p> <p>10 OPTIONS
AKA = Sideflow</p> |
|--|---|

SERIAL NUMBER EXPLANATION

5	2	0	3	F	5	0	0	6	0	0	0	0
1				2	3		4		5			

- 1** **COMPRESSOR IDENTIFICATION NUMBER**
- 2** **PRODUCTION LOCATION**
F = Fort Smith, AR
- 3** **WEEK OF PRODUCTION**
- 4** **YEAR OF PRODUCTION**
- 5** **PRODUCTION NUMBER**

No.	Notes	MODEL TECHNICAL VARIATION COOLING CAPACITY	RQNA B 024	RQNA B 030	RQNA B 036	RQNA B 042	RQNA B 048
PANELS, MISCELLANEOUS PARTS							
1		Front Base Pan	AS-58628-06	AS-58628-06	AS-58628-06	AS-58628-06	AS-58628-06
2		Base Rail (2)	AE-58562-03	AE-58562-03	AE-58562-03	AE-58562-03	AE-58562-03
3		Base Rail (2)	AE-58562-04	AE-58562-04	AE-58562-04	AE-58562-04	AE-58562-04
4		Back Base Pan	AS-58607-64	AS-58607-64	AS-58607-64	AS-58607-64	AS-58607-64
5		Blower Shelf	AS-58630-01	AS-58630-01	AS-58630-01	AS-58630-01	AS-58630-01
6		Blower Shelf Transition	AS-58607-19	AS-58607-19	AS-58607-19	AS-58607-19	AS-58607-19
7		Divider Panel	AS-58607-03	AS-58607-03	AS-58607-03	AS-58607-03	AS-58607-03
8		Bulkhead Assembly	AS-58607-55	AS-58607-57	AS-58607-63	AS-58607-57	AS-58607-57
9		Corner Post	AS-58607-39	AS-58607-53	AS-58607-53	AS-58607-53	AS-58607-53
10		Blower Access Panel	AS-58607-09	AS-58607-47	AS-58607-47	AS-58607-47	AS-58607-47
11		End Panel	AS-58607-04	AS-58607-48	AS-58607-48	AS-58607-48	AS-58607-48
12		Supply Cover - Downflow	AS-58607-06	AS-58607-06	AS-58607-06	AS-58607-06	AS-58607-06
12		Supply Cover - Side Option - "AKA"	AS-58607-35	AS-58607-35	AS-58607-35	AS-58607-35	AS-58607-35
13		Return Cover - Downflow	AS-58607-05	AS-58607-05	AS-58607-05	AS-58607-05	AS-58607-05
13		Return Cover - Side Option - "AKA"	AS-58607-34	AS-58607-34	AS-58607-34	AS-58607-34	AS-58607-34
14		Top Panel	AS-58607-58	AS-58607-54	AS-58607-59	AS-58607-54	AS-58607-54
15		Grille	95-100906-08	95-100906-08	95-100906-08	95-100906-08	95-100906-08
16		Filter Access Panel	AS-58607-08	AS-58607-49	AS-58607-49	AS-58607-49	AS-58607-49
17		Condenser Louver Panel	AS-58607-61	AS-58607-56	AS-58607-56	AS-58607-56	AS-58607-56
18		Center Post	AE-58569-06	AE-58569-08	AE-58569-08	AE-58569-08	AE-58569-08
19		Control Access Panel	AE-58568-02	AE-58568-04	AE-58568-04	AE-58568-04	AE-58568-04
20		Control Box - (w/o components)	AE-58597-01	AE-58597-01	AE-58597-01	AE-58597-01	AE-58597-01
21		Control Box Cover	AE-58598-01	AE-58598-01	AE-58598-01	AE-58598-01	AE-58598-01
22		Blank-Off Plate (No Heat Models Only)	AS-58607-17	AS-58607-17	AS-58607-17	AS-58607-17	AS-58607-17
23		Bulkhead Valve (2)	61-22369-04	61-22369-04	61-22369-04	61-22369-04	61-22369-04
24		Heater Mounting Panel	AS-58607-16	AS-58607-16	AS-58607-16	AS-58607-16	AS-58607-16
		Bulkhead Valve Locknut (2)	63-22368-01	63-22368-01	63-22368-01	63-22368-01	63-22368-01
		Bulkhead Valve Cap (2)	83-100635-01	83-100635-01	83-100635-01	83-100635-01	83-100635-01
		Low Voltage Connection Box	AE-58647-01	AE-58647-01	AE-58647-01	AE-58647-01	AE-58647-01

No.	Notes	MODEL TECHNICAL VARIATION COOLING CAPACITY ELECTRICAL DESIGNATION	RQNA B 024 J	RQNA B 030 J	RQNA B 036 J	RQNA B 042 J	RQNA B 048 J	
ELECTRICAL GROUP								
31	Stk	Relay - Blower Motor	42-101208-01	42-101208-01	42-101208-01	42-21571-08	42-21571-08	
32	Stk	Contactora	42-42728-03	42-42728-03	42-42728-03	42-42728-03	42-42728-03	
33	Stk	Terminal Strip	45-23591-01	45-23591-01	45-23591-01	45-23591-01	45-23591-01	
34	Stk	Sequencing Relay	42-21593-03	42-21593-03	42-21593-03	N/A	N/A	
35	Stk	Defrost Control	47-21517-23	47-21517-23	47-21517-23	47-21517-23	47-21517-23	
36	Stk	Transformer	46-100836-01	46-100836-01	46-100836-01	46-100836-01	46-100836-01	
37		Blower Capacitor	See Blower Group					
38		Ground Lug	45-19000-01	45-19000-01	45-19000-01	45-19000-01	45-19000-01	
39		Capacitor - Compressor/Fan	See Fan Group					
43	Stk	Limit Control - Blower Shelf	47-25334-01	47-25334-01	47-25334-01	47-25334-01	47-25334-01	
44		Capacitor Adapter Plate (2 in. round capacitor)	AE-54609-01	AE-54609-01	AE-54609-01	AE-54609-01	AE-54609-01	
44		Capacitor Adapter Plate (2 in. X 1-1/4 in. oval capacitor)	AE-54609-02	AE-54609-02	AE-54609-02	AE-54609-02	AE-54609-02	

No.	Notes	MODEL TECHNICAL VARIATION COOLING CAPACITY ELECTRICAL DESIGNATION	RQNA B 036 C	RQNA B 042 C	RQNA B 048 C			
ELECTRICAL GROUP								
31	Stk	Relay - Blower Motor	42-101208-01	42-21571-08	42-21571-08			
32	Stk	Contactora	42-22464-01	42-22464-01	42-22464-01			
33	Stk	Terminal Strip	N/A	45-23591-01	45-23591-01			
34	Stk	Sequencing Relay	42-21593-03	N/A	N/A			
35	Stk	Defrost Control	47-21517-23	47-21517-23	47-21517-23			
36	Stk	Transformer	46-100836-01	46-100836-01	46-100836-01			
38		Ground Lug	45-19000-01	45-19000-01	45-19000-01			
39		Capacitor - Compressor/Fan	See Fan Group					
43	Stk	Limit Control - Blower Shelf	47-25334-01	47-25334-01	47-25334-01			
44		Capacitor Adapter Plate (2 in. round capacitor)	AE-54609-01	AE-54609-01	AE-54609-01			
44		Capacitor Adapter Plate (2 in. X 1-1/4 in. oval capacitor)	AE-54609-02	AE-54609-02	AE-54609-02			

No.	Notes	MODEL TECHNICAL VARIATION COOLING CAPACITY ELECTRICAL DESIGNATION	RQNA B 024 J	RQNA B 030 J	RQNA B 036 J	RQNA B 042 J	RQNA B 048 J
FAN GROUP							
Note: 024, 030, and 036 units produced before approximately F3706 may have been produced with a different motor, capacitor, and fan blade combination than shown below. If replacing any of these components on older units, all three components must be changed in accordance with those listed below. Failure to do so may affect motor reliability and increase fan noise.							
39	Stk	Capacitor - Fan/Compressor	43-26261-44	43-26271-41	43-26261-16	43-26261-38	43-26271-45
40	Stk	Fan Motor	51-100998-24	51-100998-24	51-100998-24	51-100998-19	51-100998-19
41	Stk	Fan Blade	70-101323-19	70-101323-19	70-101323-19	70-23594-02	70-23594-02

No.	Notes	MODEL TECHNICAL VARIATION COOLING CAPACITY ELECTRICAL DESIGNATION	RQNA B 036 C	RQNA B 042 C	RQNA B 048 C		
FAN GROUP							
39	Stk	Capacitor - Fan Motor	43-100496-04	43-100496-09	43-100496-09		
40	Stk	Fan Motor	51-100998-24	51-100998-19	51-100998-19		
41	Stk	Fan Blade	70-101323-19	70-23594-02	70-23594-02		

No.	Notes	MODEL TECHNICAL VARIATION COOLING CAPACITY ELECTRIC DESIGNATION	RQNA B 024 J	RQNA B 030 J	RQNA B 036 J	RQNA B 042 J	RQNA B 048 J
BLOWER GROUP							
	Stk	Blower Assembly (Includes items 37 and 51-56)	AS-58662-01	AS-58662-05	AS-58662-03	AS-58662-15	AS-58662-16
37	Stk	Capacitor - Blower Motor	43-100496-04	43-100496-12	43-100496-12	N/A	N/A
51		Housing	AS-58619-01	AS-58619-02	AS-58619-02	AS-58619-02	AS-58619-02
52	Stk	Blower Wheel	70-20218-01	70-18625-03	70-18625-03	70-18625-03	70-18625-03
53		Cut-Off	AE-64401-10	AE-64401-06	AE-64401-06	AE-64401-06	AE-64401-06
54	Stk	Blower Motor	51-23608-02	51-23609-04	51-23645-02	51-101920-03	51-101920-04
		Motor Mounting Bracket Assembly (Includes 55, 56)	AS-53148-03	AS-53148-04	AS-53148-04	N/A	N/A
55		Motor Band	70-19927-01	70-19927-01	70-19927-01	70-19927-03	70-19927-03
56		Arm Assembly	70-19929-02	70-19929-02	70-19929-02	70-19929-09	70-19929-09

No.	Notes	MODEL TECHNICAL VARIATION COOLING CAPACITY ELECTRIC DESIGNATION	RQNA B 036 C	RQNA B 042 C	RQNA B 048 C		
BLOWER GROUP							
	Stk	Blower Assembly (Includes items 37 and 51-56)	AS-58662-03	AS-58662-15	AS-58662-16		
37	Stk	Capacitor - Blower Motor	43-100496-12	N/A	N/A		
51		Housing	AS-58619-02	AS-58619-02	AS-58619-02		
52	Stk	Blower Wheel	70-18625-03	70-18625-03	70-18625-03		
53		Cut-Off	AE-64401-06	AE-64401-06	AE-64401-06		
54	Stk	Blower Motor	51-23645-02	51-101920-03	51-101920-04		
		Motor Mounting Bracket Assembly (Includes 55, 56)	AS-53148-04	N/A	N/A		
55		Motor Band	70-19927-01	70-19927-03	70-19927-03		
56		Arm Assembly	70-19929-02	70-19929-09	70-19929-09		

No.	Notes	MODEL TECHNICAL VARIATION COOLING CAPACITY	RQNA B 024	RQNA B 030	RQNA B 036	RQNA B 042	RQNA B 048
COIL GROUP							
CONDENSER COIL							
61	Stk	Condenser Coil	AS-102015-03	AS-102016-03	AS-102017-03	AS-102014-03	AS-102014-03
		Distributor Assembly	83-101782-01	83-101782-02	83-101782-02	83-101782-03	83-101782-03
		Access Valve Body	61-18542-01	61-18542-01	61-18542-01	61-18542-01	61-18542-01
		Access Valve Core	61-18551-01	61-18551-01	61-18551-01	61-18551-01	61-18551-01
EVAPORATOR COIL:							
62	Stk	Evaporator Coil w/Drain Pan	AS-102660-05	AS-102660-06	AS-102660-06	AS-102660-07	AS-102660-07
63		Drain Pan Grommet	56-23601-01	56-23601-01	56-23601-01	56-23601-01	56-23601-01
64	Stk	Drain Pan - Before F4507	AS-58607-32	AS-58607-32	AS-58607-32	AS-58607-32	AS-58607-32
64	Stk	Drain Pan - After F4507	68-23602-02	68-23602-02	68-23602-02	68-23602-02	68-23602-02
64a		Drain Trap - (Attached to Drain Pan)	68-23603-01	68-23603-01	68-23603-01	68-23603-01	68-23603-01
65		Auxiliary Drain Pipe	AE-58611-01	AE-58611-01	AE-58611-01	AE-58611-01	AE-58611-01
66	Stk	TXV	61-21922-76	61-21922-78	61-21922-78	61-21922-107	61-21922-101
67		Condensate Shield	AE-101751-01	AE-101751-02	AE-101751-02	AE-101751-02	AE-101751-02
68		Condensate Barrier	AE-100544-01	AE-100544-02	AE-100544-02	AE-100544-02	AE-100544-02
69		Distributor Assembly	83-102202-01	83-102202-02	83-102202-02	83-102202-03	83-102202-03
REFRIGERATION GROUP:							
71	Stk	Charge Compensator	N/A	N/A	N/A	83-25361-06	N/A
72	Stk	Reversing Valve	61-101684-02	61-101684-02	61-101684-02	61-101684-02	61-101684-03
	Stk	Solenoid Coil - Reversing Valve	61-101713-01	61-101713-01	61-101713-01	61-101713-01	61-101713-01
		Wiring Harness - Reversing Valve	61-26149-01	61-26149-01	61-26149-01	61-26149-01	61-26149-01
73		TXV Bulb Strap Kit	64-101357-01	64-101357-01	64-101357-01	64-101357-01	64-101357-01
74		Strainer (2)	83-26020-02	83-26020-02	83-26020-02	83-26020-02	83-26020-02

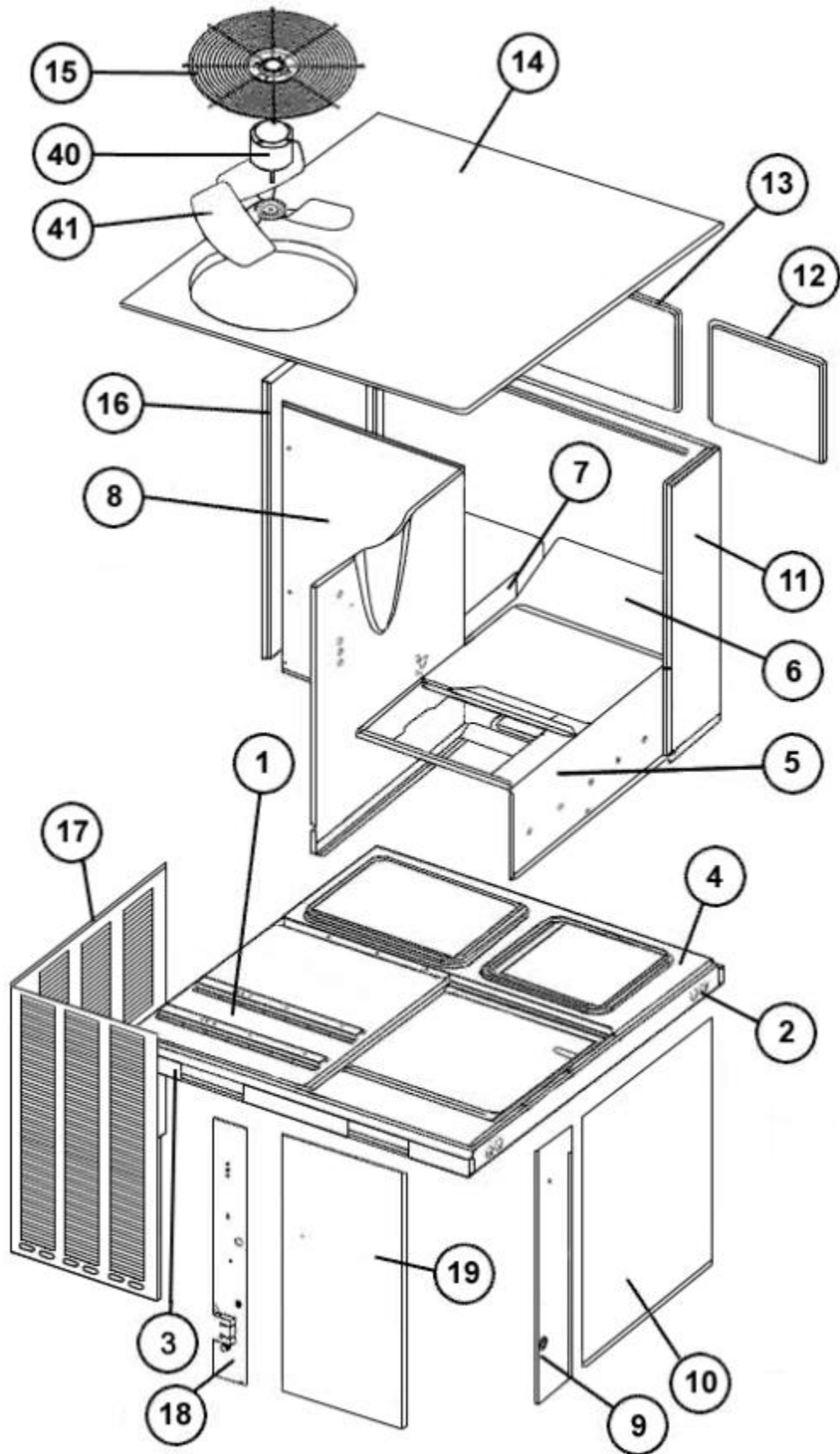
No.	Notes	MODEL TECHNICAL VARIATION COOLING CAPACITY ELECTRICAL DESIGNATION	RQNA B 024 J	RQNA B 030 J	RQNA B 036 J	RQNA B 042 J	RQNA B 048 J
COMPRESSOR GROUP							
		Compressor ID:	7260	7261	7262	7263	7264
81	Stk	Compressor	55-100835-13S	55-100835-02S	55-100835-03S	55-100835-04S	55-100835-05S
82		Grommet (4)	56-18518-04	56-18518-06	56-18518-06	56-18518-06	56-18518-06
	Stk	Compressor Wiring Harness (Molded Plug)	45-100834-80	45-100834-80	45-100834-80	45-100834-80	45-100834-80
		Capacitor - Compressor/Fan			See Fan Group		

No.	Notes	MODEL TECHNICAL VARIATION COOLING CAPACITY ELECTRICAL DESIGN	RQNA B 036 C	RQNA B 042 C	RQNA B 048 C		
COMPRESSOR GROUP							
		Compressor ID:	7265	7266	7267		
81	Stk	Compressor	55-100835-31S	55-100835-22S	55-100835-32S		
82		Grommet (4)	56-18518-06	56-18518-06	56-18518-06		
	Stk	Compressor Wiring Harness (Molded Plug)	45-100834-80	45-100834-80	45-100834-80		

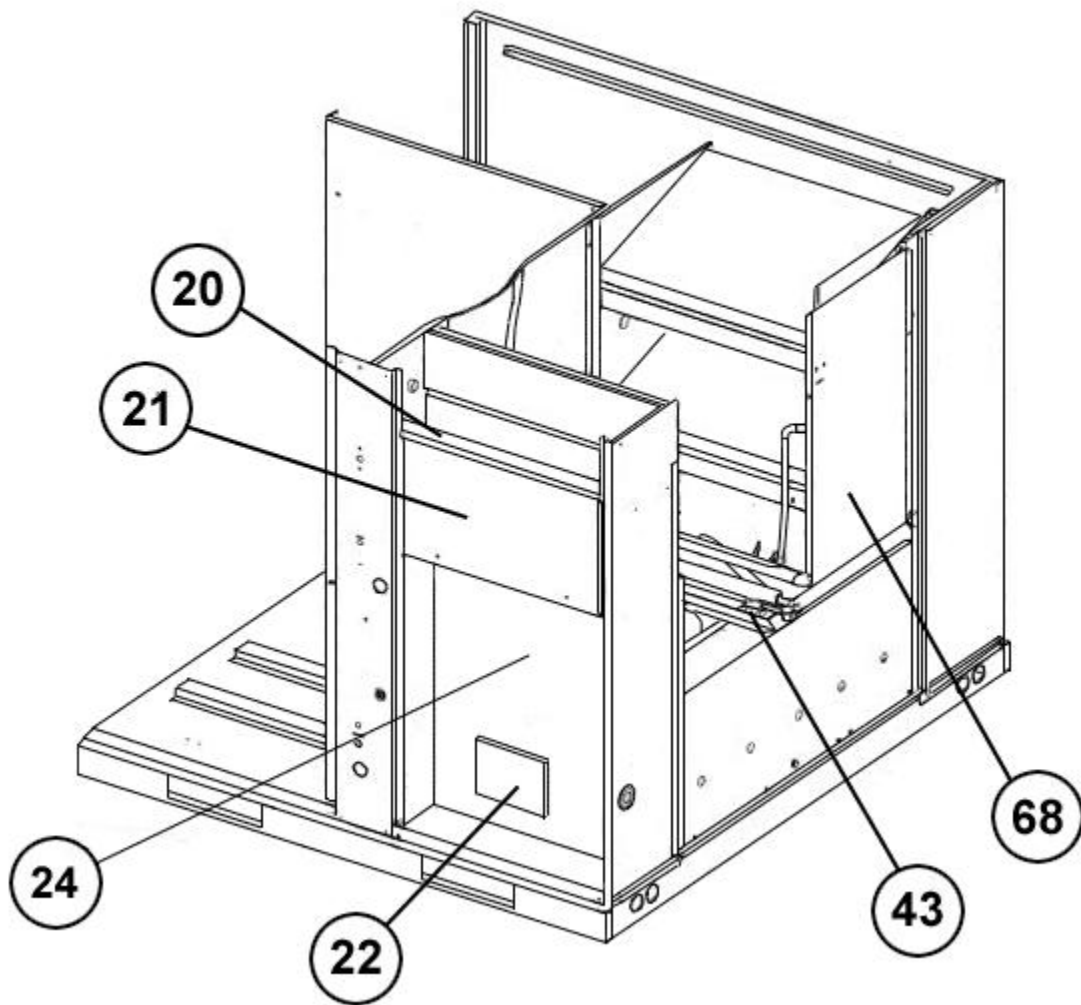
No.	Notes	MODEL TECHNICAL VARIATION COOLING CAPACITY ELECTRICAL DESIGNATION	RQNA B 024 J	RQNA B 030 J	RQNA B 036 J	RQNA B 042 J	RQNA B 048 J
HEATER KITS							
		Heater Kit - 5kW	RXQJ-A05J	RXQJ-A05J	N/A	N/A	N/A
		Heater Kit - 10kW	RXQJ-A10J	RXQJ-A10J	RXQJ-A10J	RXQJ-B10J	RXQJ-B10J
		Heater Kit - 15kW	N/A	N/A	RXQJ-A15J	RXQJ-B15J	RXQJ-B15J

No.	Notes	MODEL TECHNICAL VARIATION COOLING CAPACITY ELECTRICAL DESIGNATION	RQNA B 036 C	RQNA B 042 C	RQNA B 048 C		
HEATER KITS							
		Heater Kit - 10kW	RXQJ-A10C	RXQJ-A10C	RXQJ-A10C		
		Heater Kit - 15kW	RXQJ-A15C	RXQJ-A15C	RXQJ-A15C		

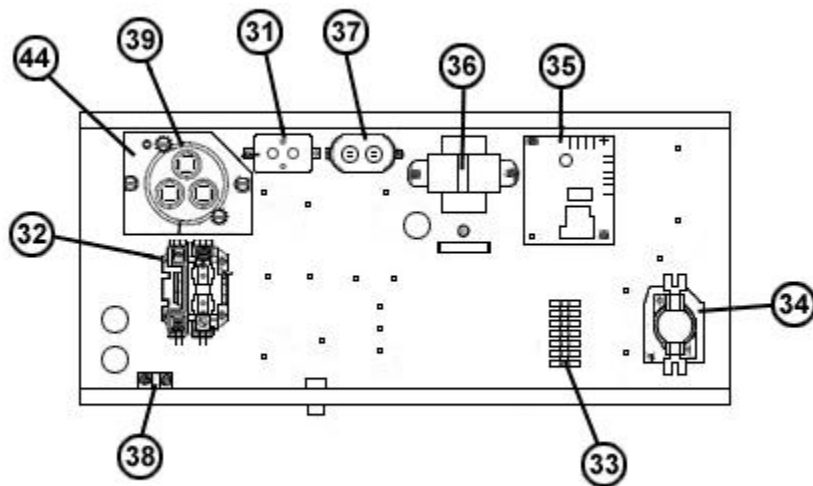
No.	Notes	MODEL VARIATIONS	RQNA ALL				
OPTIONS AND ACCESSORIES							
		Economizer - Downflow, 3 Position	RXRE-CAA30				
		Economizer - Downflow, Fully Modulating	RXRD-CAM10				
		Economizer - Horizontal Application, Fully Modulating	RXRD-CCM10				
		Fresh Air Damper - Fixed, 35%	RXRF-FAA1				
		Fresh Air Damper - Motorized, 35%	RXRF-FAB1				
		Filter Kit	RXRY-B01				
		Low Ambient Control	RXPZ-C01				
		Low Ambient Control	RXPZ-F01				
		High Pressure Control	RXAB-A04				
		Outdoor Thermostat	RXPT-A01				



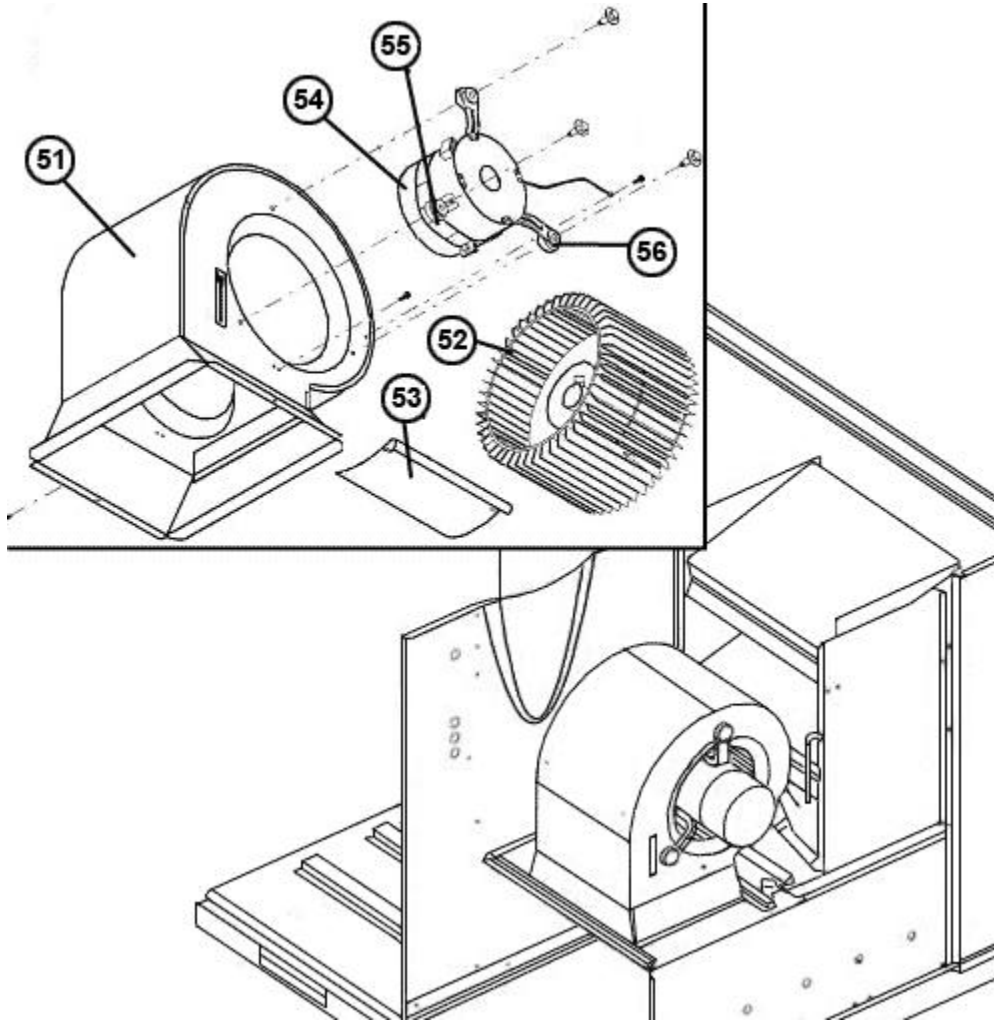
Exploded View



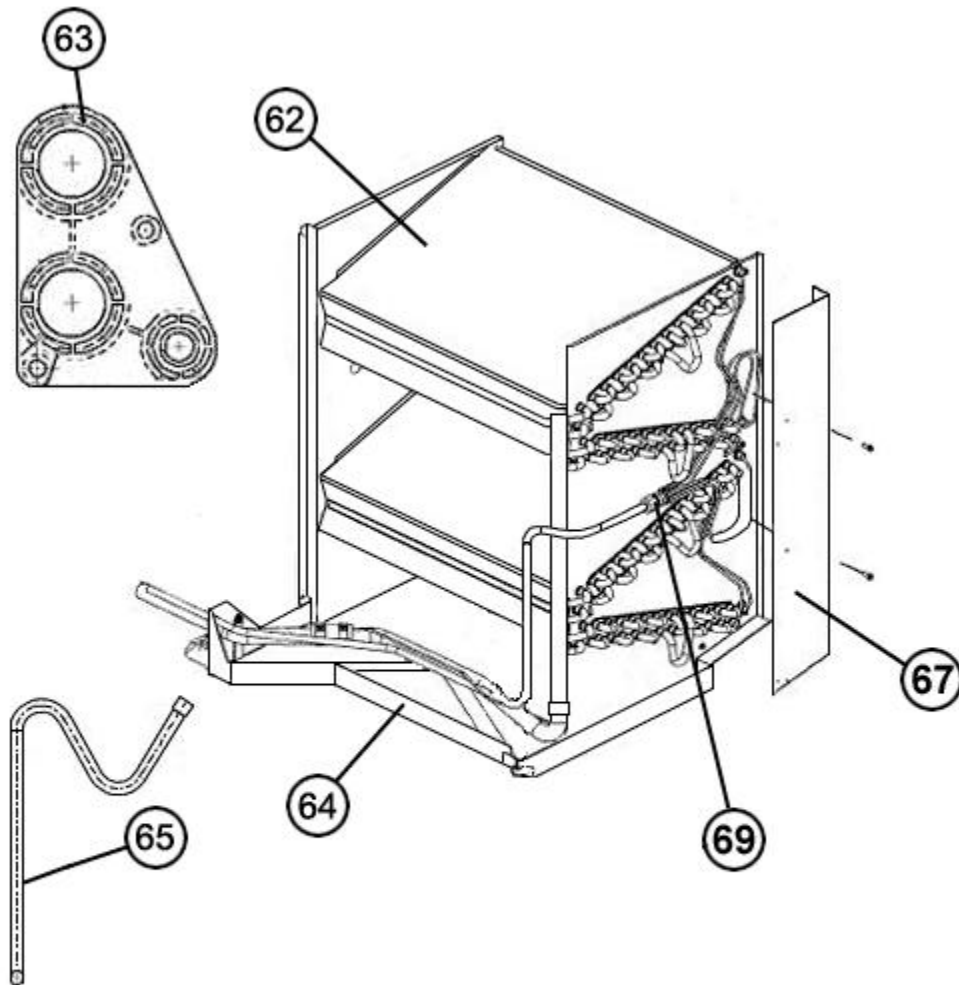
Control Access Panel Detail



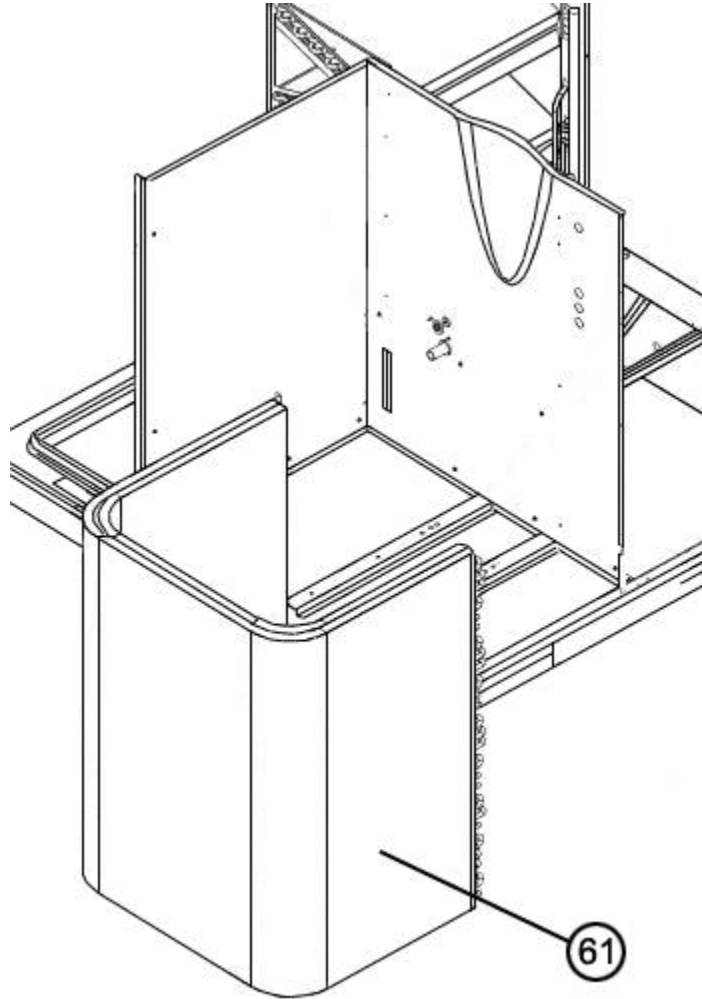
Control Box Assembly



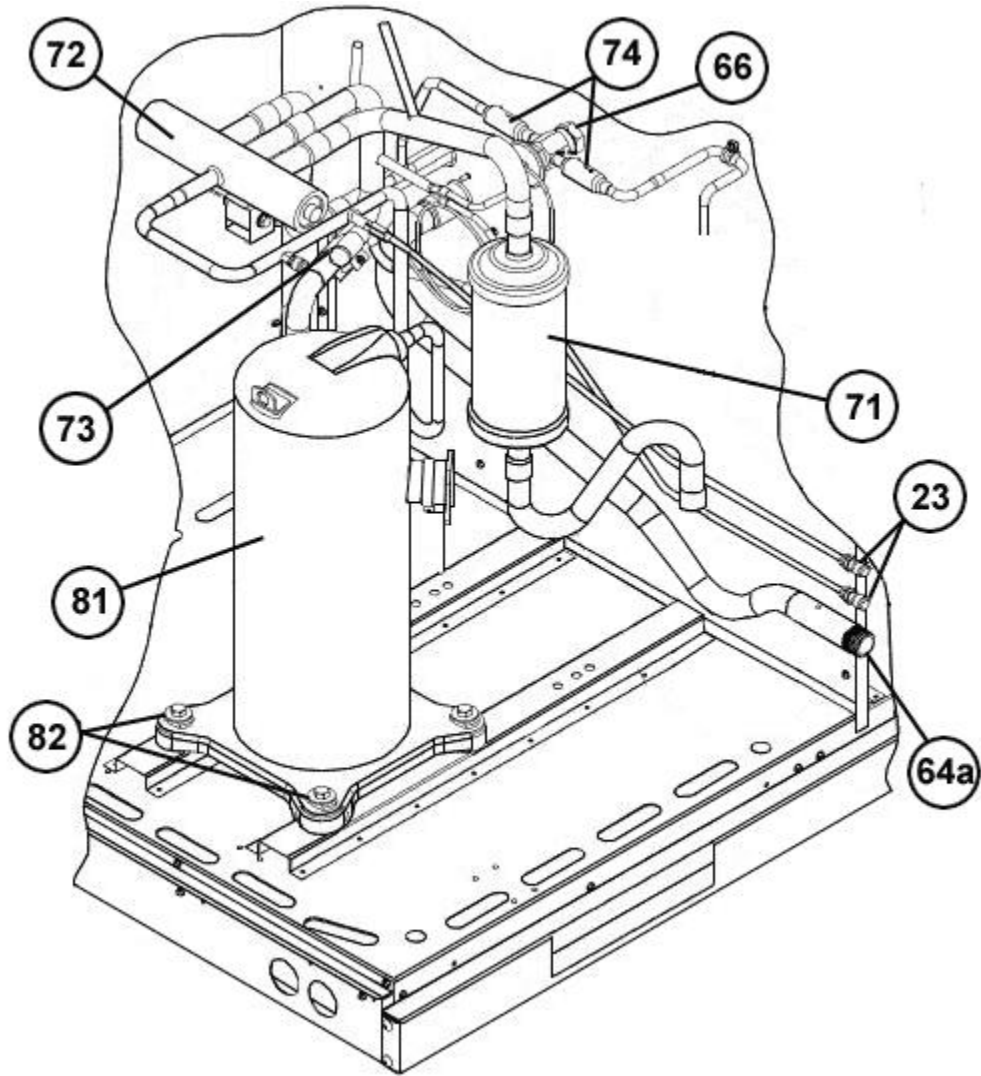
Blower Assembly



EvaporatorCoil Assembly



Condenser Coil



Compressor and Refrigeration Components

NOTES

Stk It is recommended that stock be maintained for this part.
N/A Not Applicable

DISCLAIMER: This document is intended to provide general replacement parts information to aid qualified service personnel in the repair of these models. The complete Model and Serial Number of the unit under repair should be specified when selecting and ordering replacement parts. Specifications and illustrations are subject to change without notice. Document 92-42800-RQNA-B supersedes all previous parts lists for these models. See <http://www.rheempartslists.net/92-42800-RQNA-B> for the latest revision of this document. The manufacturer assumes no obligation for errors or omissions. Service personnel must verify the proper and safe operation of equipment after the replacement of any original components.