



RPRL

Parts List
22-July-2013



*This parts list is current as of the above revision date.
See <http://www.rheempartslists.net/92-42800-RPRL.pdf> for the current revision.*

Heat Pumps

Table of Contents

Model Explanation	Page 3
Parts Numbers	
Panels - Miscellaneous (Granite-Steel Gray)	Page 4
Panels - Miscellaneous (Neutra Green)	Page 5
Electrical Group	Page 6
Fan Group	Page 6
Coil Parts (JEZ)	Page 7
Coil Parts (JEC)	Page 8
Compressor Group	Page 9
Accessories	Page 9
Drawings/Photographs	
Exploded View	Page 10
Control Box Assembly (JEZ)	Page 11
Control Box Assembly (JEC)	Page 12
Compressor and Refrigeration Assembly	Page 13
Compressor and Refrigeration Assembly (JEC 036 after 2909)	Page 14
Notes/Disclaimer	Page 15

MODEL NUMBER EXPLANATION

R	P	R	L	-	0	2	4	J	E	Z
(1)	(2)	(3)	(4)		(5)			(6)	(7)	(8)

- | | |
|---|--|
| <p>(1) TRADEBRAND IDENTIFICATION</p> <p>(2) MODEL
P = Heat Pump</p> <p>(3) TYPE
R = 16 SEER</p> <p>(4) DESIGN SERIES / VARIATION</p> <p>(5) COOLING CAPACITY
024/025 = 24,000
036/037 = 36,000
048/049 = 48,000
060/061 = 60,000</p> | <p>(6) ELECTRICAL DESIGNATION
J = 208-230/1/60</p> <p>(7) VARIATIONS
E = Electronic Model</p> <p>(8) COMPRESSOR
Z' = Sweat w/Scroll
C' = Serial Communicating</p> |
|---|--|

SERIAL NUMBER EXPLANATION

7	0	6	0	M	0	5	0	9	9	9	9	9	9
(1)				(2)	(3)		(4)			(5)			

- (1) **COMPRESSOR IDENTIFICATION NUMBER**
- (2) **PRODUCTION LOCATION**
F = Ft. Smith, AR
M = Milledgeville, GA
W = Nuevo Laredo (West)
- (3) **WEEK OF PRODUCTION**
- (4) **YEAR OF PRODUCTION**
- (5) **PRODUCTION NUMBER**

No.	Notes	MODEL COOLING CAPACITY VARIATION	RPRL -024 JEC	RPRL -025 JEC	RPRL -036 JEC	RPRL -037 JEC
SHEET METAL PARTS, MISCELLANEOUS (Granite/Steel Gray, After Date Code 4811)						
1		Base Pan	AE-58426-83	AE-58426-83	AE-58426-83	AE-58426-83
2		Button Plug	45-22980-07	45-22980-07	45-22980-07	45-22980-07
3		Cabinet	AE-100609-87	AE-100609-87	AE-100609-87	AE-100609-87
4		Top Panel	AE-100618-85	AE-100618-85	AE-100618-85	AE-100618-85
5		Grille	95-100906-06	95-100906-06	95-100906-06	95-100906-06
6	1	Control Box w/Wiring Harnesses (See Note 1)	10-102307-06	10-102307-06	10-102307-06	10-102307-06
		Control Box - Dust Cover Assembly	10-102360-02	10-102360-02	10-102360-02	10-102360-02
6a		Capacitor Adapter Plate (2 in. round capacitor)	AE-54609-01	AE-54609-01	AE-54609-01	AE-54609-01
6a		Capacitor Adapter Plate (2 in. X 1-1/4 in. oval capacitor)	AE-54609-02	AE-54609-02	AE-54609-02	AE-54609-02
6b		Capacitor Strap - Start Capacitor	AE-50892-51	AE-50892-51	AE-50892-51	AE-50892-51
7		Access Panel	AE-100617-87	AE-100617-87	AE-100617-87	AE-100617-87
8		Service Valve - Suction	61-21368-15	61-21368-15	61-21368-15	61-21368-15
9		Service Valve - Liquid	61-101160-13	61-101160-13	61-101160-13	61-101160-13
		Touch-up Paint - Granite/Steel Gray (Aerosol)	PD523018	PD523018	PD523018	PD523018
		Touch-up Paint - Granite/Steel Gray (Paint Pens)	PD523019	PD523019	PD523019	PD523019

No.	Notes	MODEL COOLING CAPACITY VARIATION	RPRL -048 JEC	RPRL -049 JEC	RPRL -060 JEC	RPRL -061 JEC
SHEET METAL PARTS, MISCELLANEOUS (Granite/Steel Gray, After Date Code 4811)						
1		Base Pan	AE-58426-83	AE-58426-83	AE-58426-83	AE-58426-83
2		Button Plug	45-22980-07	45-22980-07	45-22980-07	45-22980-07
3		Cabinet	AE-100609-87	AE-100609-87	AE-100609-87	AE-100609-87
4		Top Panel	AE-100618-85	AE-100618-85	AE-100618-85	AE-100618-85
5		Grille	95-100906-06	95-100906-06	95-100906-06	95-100906-06
6	1	Control Box w/Wiring Harnesses (See Note 1)	10-102307-06	10-102307-06	10-102307-06	10-102307-06
		Control Box - Dust Cover Assembly	10-102360-02	10-102360-02	10-102360-02	10-102360-02
6a		Capacitor Adapter Plate (2 in. round capacitor)	AE-54609-01	AE-54609-01	AE-54609-01	AE-54609-01
6a		Capacitor Adapter Plate (2 in. X 1-1/4 in. oval capacitor)	AE-54609-02	AE-54609-02	AE-54609-02	AE-54609-02
6b		Capacitor Strap - Start Capacitor	AE-50892-51	AE-50892-51	AE-50892-51	AE-50892-51
7		Access Panel	AE-100617-87	AE-100617-87	AE-100617-87	AE-100617-87
8		Service Valve - Suction	61-21368-16	61-21368-16	61-21368-16	61-21368-16
9		Service Valve - Liquid	61-101160-13	61-101160-13	61-101160-13	61-101160-13
		Touch-up Paint - Granite/Steel Gray (Aerosol)	PD523018	PD523018	PD523018	PD523018
		Touch-up Paint - Granite/Steel Gray (Paint Pens)	PD523019	PD523019	PD523019	PD523019

No.	Notes	MODEL COOLING CAPACITY VARIATION	RPRL -024 JEZ	RPRL -036 JEZ	RPRL -048 JEZ	RPRL -060 JEZ
SHEET METAL PARTS, MISCELLANEOUS (Neutra Green, Before Date Code 4811)						
1		Base Pan	AE-58426-03	AE-58426-03	AE-58426-03	AE-58426-03
2		Button Plug	45-22980-07	45-22980-07	45-22980-07	45-22980-07
3		Cabinet	AE-100609-07	AE-100609-07	AE-100609-07	AE-100609-07
4		Top Panel	AE-100618-05	AE-100618-05	AE-100618-05	AE-100618-05
5		Grille	95-100906-06	95-100906-06	95-100906-06	95-100906-06
6	1	Control Box w/Wiring Harnesses (See Note 1)	10-102307-02	10-102307-02	10-102307-02	10-102307-02
		Control Box - Dust Cover Assembly	10-102360-01	10-102360-01	10-102360-01	10-102360-01
6a		Capacitor Adapter Plate (2 in. round capacitor)	AE-54609-01	AE-54609-01	AE-54609-01	AE-54609-01
6a		Capacitor Adapter Plate (2 in. X 1-1/4 in. oval capacitor)	AE-54609-02	AE-54609-02	AE-54609-02	AE-54609-02
6b		Capacitor Strap - Start Capacitor	AE-50892-51	AE-50892-51	AE-50892-51	AE-50892-51
7		Access Panel	AE-100617-07	AE-100617-07	AE-100617-07	AE-100617-07
8		Service Valve - Suction	61-21368-15	61-101160-15	61-21368-16	61-21368-16
9		Service Valve - Liquid	61-101160-13	61-101160-13	61-101160-13	61-101160-13
		Touch-up Paint - Green (Aerosol)	52-18662-48	52-18662-48	52-18662-48	52-18662-48
		Touch-up Paint - Green (Paint Pens)	523010	523010	523010	523010

No.	Notes	MODEL COOLING CAPACITY VARIATION	RPRL -024 JEC	RPRL -025 JEC	RPRL -036 JEC	RPRL -037 JEC
SHEET METAL PARTS, MISCELLANEOUS (Neutra Green, Before Date Code 4811)						
1		Base Pan	AE-58426-03	AE-58426-03	AE-58426-03	AE-58426-03
2		Button Plug	45-22980-07	45-22980-07	45-22980-07	45-22980-07
3		Cabinet	AE-100609-07	AE-100609-07	AE-100609-07	AE-100609-07
4		Top Panel	AE-100618-05	AE-100618-05	AE-100618-05	AE-100618-05
5		Grille	95-100906-06	95-100906-06	95-100906-06	95-100906-06
6	1	Control Box w/Wiring Harnesses (See Note 1)	10-102307-06	10-102307-06	10-102307-06	10-102307-06
		Control Box - Dust Cover Assembly	10-102360-02	10-102360-02	10-102360-02	10-102360-02
6a		Capacitor Adapter Plate (2 in. round capacitor)	AE-54609-01	AE-54609-01	AE-54609-01	AE-54609-01
6a		Capacitor Adapter Plate (2 in. X 1-1/4 in. oval capacitor)	AE-54609-02	AE-54609-02	AE-54609-02	AE-54609-02
6b		Capacitor Strap - Start Capacitor	AE-50892-51	AE-50892-51	AE-50892-51	AE-50892-51
7		Access Panel	AE-100617-07	AE-100617-07	AE-100617-07	AE-100617-07
8		Service Valve - Suction	61-21368-15	61-21368-15	61-21368-15	61-21368-15
9		Service Valve - Liquid	61-101160-13	61-101160-13	61-101160-13	61-101160-13
		Touch-up Paint - Green (Aerosol)	52-18662-48	52-18662-48	52-18662-48	52-18662-48
		Touch-up Paint - Green (Paint Pens)	523010	523010	523010	523010

No.	Notes	MODEL COOLING CAPACITY VARIATION	RPRL -048 JEC	RPRL -049 JEC	RPRL -060 JEC	RPRL -061 JEC
SHEET METAL PARTS, MISCELLANEOUS (Neutra Green, Before Date Code 4811)						
1		Base Pan	AE-58426-03	AE-58426-03	AE-58426-03	AE-58426-03
2		Button Plug	45-22980-07	45-22980-07	45-22980-07	45-22980-07
3		Cabinet	AE-100609-07	AE-100609-07	AE-100609-07	AE-100609-07
4		Top Panel	AE-100618-05	AE-100618-05	AE-100618-05	AE-100618-05
5		Grille	95-100906-06	95-100906-06	95-100906-06	95-100906-06
6	1	Control Box w/Wiring Harnesses (See Note 1)	10-102307-06	10-102307-06	10-102307-06	10-102307-06
		Control Box - Dust Cover Assembly	10-102360-02	10-102360-02	10-102360-02	10-102360-02
6a		Capacitor Adapter Plate (2 in. round capacitor)	AE-54609-01	AE-54609-01	AE-54609-01	AE-54609-01
6a		Capacitor Adapter Plate (2 in. X 1-1/4 in. oval capacitor)	AE-54609-02	AE-54609-02	AE-54609-02	AE-54609-02
6b		Capacitor Strap - Start Capacitor	AE-50892-51	AE-50892-51	AE-50892-51	AE-50892-51
7		Access Panel	AE-100617-07	AE-100617-07	AE-100617-07	AE-100617-07
8		Service Valve - Suction	61-21368-16	61-21368-16	61-21368-16	61-21368-16
9		Service Valve - Liquid	61-101160-13	61-101160-13	61-101160-13	61-101160-13
		Touch-up Paint - Green (Aerosol)	52-18662-48	52-18662-48	52-18662-48	52-18662-48
		Touch-up Paint - Green (Paint Pens)	523010	523010	523010	523010

No.	Notes	MODEL COOLING CAPACITY VARIATION	RPRL -024 JEZ	RPRL -036 JEZ	RPRL -048 JEZ	RPRL -060 JEZ
ELECTRICAL GROUP						
CONTROL BOX COMPONENTS:						
10	Stk,2	Defrost Control Board	47-21517-16	47-21517-16	47-21517-16	47-21517-16
11	Stk	Control Board	47-102090-02	47-102090-02	47-102090-02	47-102090-02
	Stk,2	Defrost Sensor - On or After Date Code 2008	47-102710-01	47-102710-01	47-102710-01	47-102710-01
	Stk,2	Ambient Sensor - On or After Date Code 2008	47-102709-01	47-102709-01	47-102709-01	47-102709-01
12		Capacitor - Compressor Run	See Compressor Group			
13		Start Relay	See Compressor Group			
14		Capacitor - Compressor Start	See Compressor Group			
26		Crankcase Heater with Control (CHC)	See Compressor Group			
27		Isolation Relay - Defrost Control	42-23114-06	42-23114-06	42-23114-06	42-23114-06
28		Ground Lug	45-19000-01	45-19000-01	45-19000-01	45-19000-01
	1	Wiring Harness - Fan Motor (See Note 1)	See Fan Group			
	1	Wiring Harness - Compressor Molded Plug (See Note 1)	See Compressor Group			

No.	Notes	MODEL COOLING CAPACITY VARIATION	RPRL -024 JEC	RPRL -025 JEC	RPRL -036 JEC	RPRL -037 JEC
ELECTRICAL GROUP						
CONTROL BOX COMPONENTS:						
		Control - Identity EEPROM	47-102738-91	47-102738-95	47-102738-92	47-102738-96
11	Stk	Control Board - Two Stage (Before Date Code W2610)	47-102090-05	47-102090-10	47-102090-05	47-102090-10
11	Stk	Control Board - Two Stage (On or After Date Code W2610)	47-102090-09	47-102090-10	47-102090-09	47-102090-10
	Stk	Defrost Sensor	47-102710-01	47-102710-01	47-102710-01	47-102710-01
	Stk	Ambient Sensor	47-102709-01	47-102709-01	47-102709-01	47-102709-01
12		Capacitor - Compressor Run	See Compressor Group			
13		Start Relay	See Compressor Group			
14		Capacitor - Compressor Start	See Compressor Group			
		Crankcase Heater	See Compressor Group			
28		Ground Lug	45-19000-01	45-19000-01	45-19000-01	45-19000-01
	1	Wiring Harness - Fan Motor (See Note 1)	See Fan Group			
	1	Wiring Harness - Compressor Molded Plug (See Note 1)	See Compressor Group			

No.	Notes	MODEL COOLING CAPACITY VARIATION	RPRL -048 JEC	RPRL -049 JEC	RPRL -060 JEC	RPRL -061 JEC
ELECTRICAL GROUP						
CONTROL BOX COMPONENTS:						
		Control - Identity EEPROM	47-102738-93	47-102738-97	47-102738-94	47-102738-98
11	Stk	Control Board - Two Stage (Before Date Code W2610)	47-102090-05	47-102090-10	47-102090-05	47-102090-10
11	Stk	Control Board - Two Stage (On or After Date Code W2610)	47-102090-09	47-102090-10	47-102090-09	47-102090-10
	Stk	Defrost Sensor	47-102710-01	47-102710-01	47-102710-01	47-102710-01
	Stk	Ambient Sensor	47-102709-01	47-102709-01	47-102709-01	47-102709-01
12		Capacitor - Compressor Run	See Compressor Group			
13		Start Relay	See Compressor Group			
14		Capacitor - Compressor Start	See Compressor Group			
		Crankcase Heater	See Compressor Group			
28		Ground Lug	45-19000-01	45-19000-01	45-19000-01	45-19000-01
	1	Wiring Harness - Fan Motor (See Note 1)	See Fan Group			
	1	Wiring Harness - Compressor Molded Plug (See Note 1)	See Compressor Group			

No.	Notes	MODEL COOLING CAPACITY VARIATION	RPRL -024 JEZ/JEC	RPRL -025 JEC	RPRL -036 JEZ/JEC	RPRL -037 JEC
FAN GROUP						
15	Stk	Fan Motor	51-101548-04	51-102728-04	51-101548-05	51-102728-05
16	Stk	Fan Blade	70-21858-17	70-104092-01	70-21858-17	70-104092-01
	1	Wiring Harness - Fan Motor (See Note 1)	45-102122-01	45-102122-01	45-102122-01	45-102122-01

No.	Notes	MODEL COOLING CAPACITY VARIATION	RPRL -048 JEZ/JEC	RPRL -049 JEC	RPRL -060 JEZ/JEC	RPRL -061 JEC
FAN GROUP						
15	Stk	Fan Motor	51-101548-06	51-102728-06	51-101548-07	51-102728-07
16	Stk	Fan Blade	70-21858-17	70-104092-01	70-21858-17	70-104092-01
	1	Wiring Harness - Fan Motor (See Note 1)	45-102122-01	45-102122-01	45-102122-02	45-102122-02

No.	Notes	MODEL COOLING CAPACITY VARIATION	RPRL -024 JEZ	RPRL -036 JEZ	RPRL -048 JEZ	RPRL -060 JEZ
COIL GROUP						
8		Service Valve - Suction	See Panels - Miscellaneous			
9		Service Valve - Liquid	See Panels - Miscellaneous			
17	Stk	Condenser Coil	AS-102217-03	AS-102218-01	AS-102219-01	AS-102232-01
		Defrost Sensor - On or After Date Code 2008	See Electrical Group			
		Ambient Sensor - On or After Date Code 2008	See Electrical Group			
		Distributor - 2 way (5/8 in. to 3/8 in.) w/o Header Tubes	83-17467-03	N/A	N/A	N/A
	Stk	Filter Drier	83-41719-02	83-41719-02	83-41719-02	83-41719-02
	Stk	High Pressure Control (90 Deg Elbow with 5/16 inch connection) - before W0311	47-26184-02	47-26184-02	47-26184-02	47-26184-02
	Stk	High Pressure Control (90 Deg Elbow with 1/4 inch connection) - On or After W0311	47-103669-01	47-103669-01	47-103669-01	47-103669-01
	Stk	Low Pressure Control (90 Deg Elbow with 5/16 inch connection) - before W0311	47-101529-07	47-101529-07	47-101529-07	47-101529-07
	Stk	High Pressure Control (90 Deg Elbow with 1/4 inch connection) - On or After W0311	47-103670-03	47-103670-03	47-103670-03	47-103670-03
18	Stk	Muffler	83-26251-01	83-26251-01	83-26251-01	83-26251-01
19	Stk,3	Reversing Valve - See Note 3	61-102498-04	61-102498-09	61-101684-06	61-101684-03
	Stk	Solenoid Coil - Reversing Valve Kit	61-101713-92	61-101713-92	61-101713-92	61-101713-92
	1	Wiring Harness - Reversing Valve (See Note 1)	61-26149-04	61-26149-04	61-26149-04	61-26149-04
20		Charge Compensator	83-25361-04	83-102322-01	83-102322-02	N/A
21		Distributor Assembly w/Strainer - Before Date Code 4608	83-101782-10	83-101782-06	83-102186-02	83-102186-03
21		Distributor Assembly w/Strainer - On or After Date Code 4608	83-101782-10	N/A	83-102186-02	83-102186-03
22	Stk	TXV - Before Date Code 4608	61-102321-01	61-102321-02	61-102321-03	61-102321-04
22	Stk	TXV - On or After Date Code 4608	61-102321-01	61-101351-15	61-102321-03	61-102321-04
23		Bulb Strainer	83-26020-04	83-26020-04	83-26020-04	83-26020-04

No.	Notes	MODEL COOLING CAPACITY VARIATION	RPRL -024 JEC	RPRL -025 JEC	RPRL -036 JEC	RPRL -037 JEC
COIL GROUP						
8		Service Valve - Suction	See Panels - Miscellaneous			
9		Service Valve - Liquid	See Panels - Miscellaneous			
17	Stk	Condenser Coil	AS-102217-03	AS-102217-03	AS-102218-01	AS-104144-03
		Defrost Sensor	See Electrical Group			
		Ambient Sensor	See Electrical Group			
		Distributor - 2 way (5/8 in. to 3/8 in.) w/o Header Tubes	83-17467-03	83-17467-03	N/A	N/A
		Distributor - 3 way (3/8 in. to 3/8 in.) w/o Header Tubes	N/A	N/A	83-17467-07	83-17467-07
	Stk	Filter Drier	83-41719-02	83-41719-02	83-41719-02	83-41719-02
	Stk	High Pressure Control (90 Deg Elbow with 1/4 inch connection)	N/A	47-103669-01	N/A	47-103669-01
	Stk	Low Pressure Control (90 Deg Elbow with 1/4 inch connection)	N/A	47-103670-03	N/A	47-103670-03
	Stk	High Pressure Control (90 Deg Elbow with 5/16 inch connection) - before W0311	47-26184-02	N/A	47-26184-02	N/A
	Stk	High Pressure Control (90 Deg Elbow with 1/4 inch connection) - On or After W0311	47-103669-01	N/A	47-103669-01	N/A
	Stk	Low Pressure Control (90 Deg Elbow with 5/16 inch connection) - before W0311	47-101529-07	N/A	47-101529-07	N/A
	Stk	Low Pressure Control (90 Deg Elbow with 1/4 inch connection) - On or After W0311	47-103670-03	N/A	47-103670-03	N/A
18	Stk	Muffler - See Notes 4 and 5 for -025 and -037 respectively	83-26251-01	83-104417-01 (See Note 4)	83-26251-01	83-104417-01 (See Note 5)
19	Stk,3	Reversing Valve - See Note 3	61-102498-04	61-102498-04	61-102498-09	61-102498-09
	Stk	Solenoid Coil - Reversing Valve Kit	61-101713-92	61-101713-92	61-101713-92	61-101713-92
	1	Wiring Harness - Reversing Valve (See Note 1)	61-26149-03	61-26149-03	61-26149-03	61-26149-03
20		Charge Compensator - Before Date Code 2909	83-25361-04	83-25361-04	83-102322-01	N/A
20		Charge Compensator - On or After Date Code 2909	83-25361-04	83-25361-04	N/A	N/A
20a		Charge Compensator - On or After Date Code 2909	N/A	N/A	83-25361-08	N/A
20b		Charge Compensator - On or After Date Code 2909	N/A	N/A	83-25361-04	N/A
21		Distributor Assembly w/Strainer	83-101782-10	83-101782-10	N/A	83-102186-05
22	Stk	TXV	61-102321-01	61-102321-26	61-101351-15	61-102321-27
23		Bulb Strainer	83-26020-02	83-26020-02	83-26020-02	83-26020-02

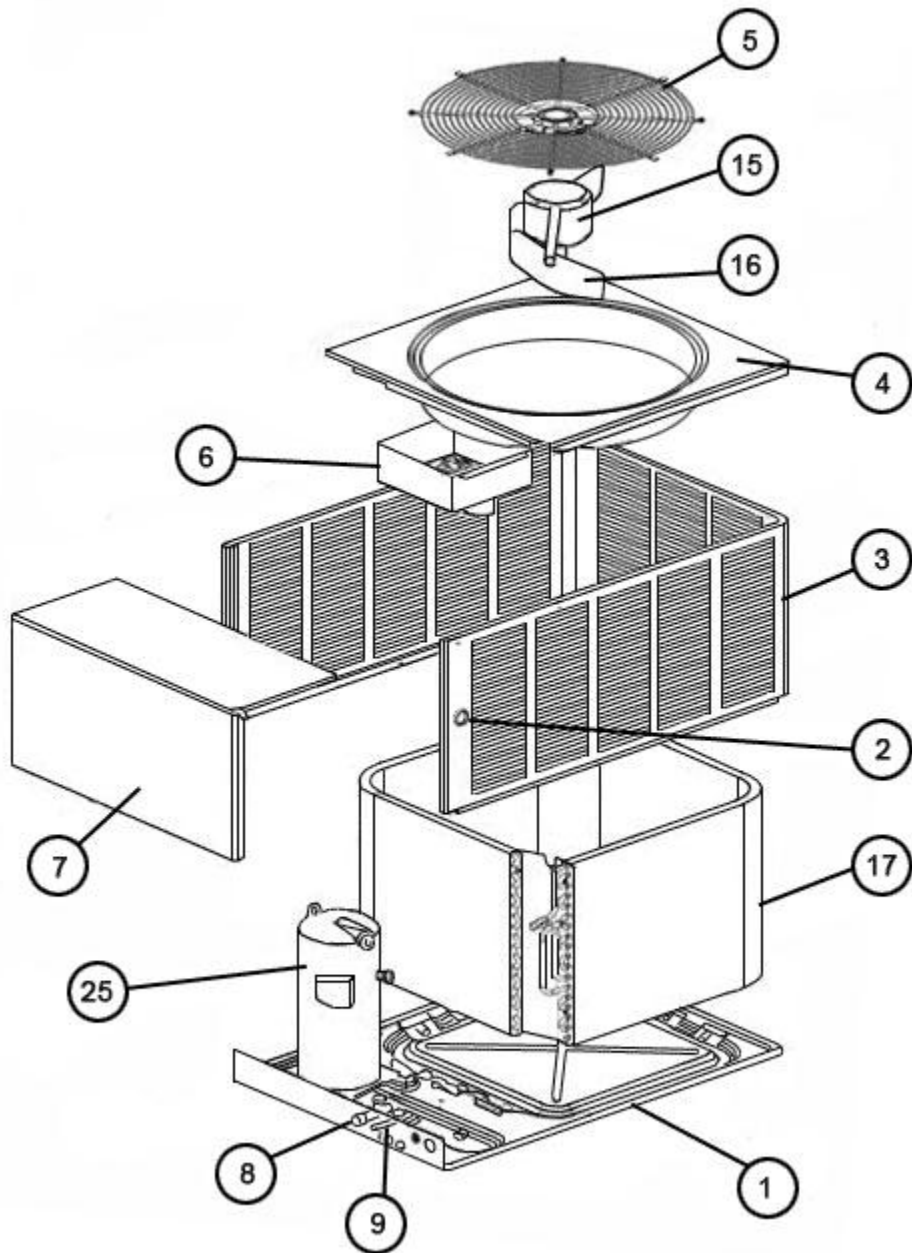
No.	Notes	MODEL COOLING CAPACITY VARIATION	RPRL -048 JEC	RPRL -049 JEC	RPRL -060 JEC	RPRL -061 JEC
COIL GROUP						
8		Service Valve - Suction	See Panels - Miscellaneous			
9		Service Valve - Liquid	See Panels - Miscellaneous			
17	Stk	Condenser Coil	AS-102219-01	AS-102219-01	AS-102232-01	AS-102232-01
		Defrost Sensor	See Electrical Group			
		Ambient Sensor	See Electrical Group			
	Stk	Filter Drier	83-41719-02	83-41719-02	83-41719-02	83-41719-02
	Stk	High Pressure Control (90 Deg Elbow with 1/4 inch connection)	N/A	47-103669-01	N/A	47-103669-01
	Stk	Low Pressure Control (90 Deg Elbow with 1/4 inch connection)	N/A	47-103670-03	N/A	47-103670-03
	Stk	High Pressure Control (90 Deg Elbow with 5/16 inch connection) - before W0311	47-26184-02	N/A	47-26184-02	N/A
	Stk	High Pressure Control (90 Deg Elbow with 1/4 inch connection) - On or After W0311	47-103669-01	N/A	47-103669-01	N/A
	Stk	Low Pressure Control (90 Deg Elbow with 5/16 inch connection) - before W0311	47-101529-07	N/A	47-101529-07	N/A
	Stk	Low Pressure Control (90 Deg Elbow with 1/4 inch connection) - On or After W0311	47-103670-03	N/A	47-103670-03	N/A
18	Stk	Muffler - See Note 6 for -049 and -061	83-26251-01	83-104417-01 (See Note 6)	83-26251-01	83-104417-01 (See Note 6)
19	Stk,3	Reversing Valve - See Note 3	61-101684-06	61-101684-06	61-101684-03	61-101684-06
	Stk	Solenoid Coil - Reversing Valve Kit	61-101713-92	61-101713-92	61-101713-92	61-101713-92
	1	Wiring Harness - Reversing Valve (See Note 1)	61-26149-03	61-26149-03	61-26149-03	61-26149-03
20		Charge Compensator - Before Date Code 2909	83-102322-02	83-102322-02	N/A	N/A
20		Charge Compensator - On or After Date Code 2909	83-102322-02	83-102322-02	N/A	N/A
21		Distributor Assembly w/Strainer	83-102186-02	83-102186-02	83-102186-03	83-102186-03
22	Stk	TXV	61-102321-03	61-102321-20	61-102321-04	61-102321-18
23		Bulb Strainer	83-26020-02	83-26020-02	83-26020-02	83-26020-02

No.	Notes	MODEL COOLING CAPACITY VARIATION	RPRL -024 JEZ	RPRL -036 JEZ	RPRL -048 JEZ	RPRL -060 JEZ
COMPRESSOR GROUP						
		Compressor ID:	7220	7221	7222	7223
25	Stk	Compressor	55-23156-08S	55-23156-09S	55-23156-10S	55-23156-11S
	Stk,1	Compressor Wiring Harness (Line Voltage - Molded Plug) - See Note 1	45-100834-07	45-100834-07	45-100834-07	45-100834-08
	1	Compressor Wiring Harness (Low Voltage - Molded Plug) - See Note 1	45-101723-01	45-101723-01	45-101723-01	45-101723-01
12	Stk	Capacitor - Compressor Run	43-100510-23	43-21298-25	43-21298-37	43-100510-51
13	Stk	Start Relay	42-18282-09	42-18282-09	42-18282-09	42-18282-09
14	Stk	Start Capacitor	43-17075-04	43-17075-04	43-17075-04	43-17075-04
26	Stk	Crankcase Heater - Includes Crankcase Heater Control (CHC)	44-101884-03	44-101884-03	44-101884-03	44-101884-03
		Sound Enclosure	68-23427-24	68-23427-24	68-23427-24	68-23427-19

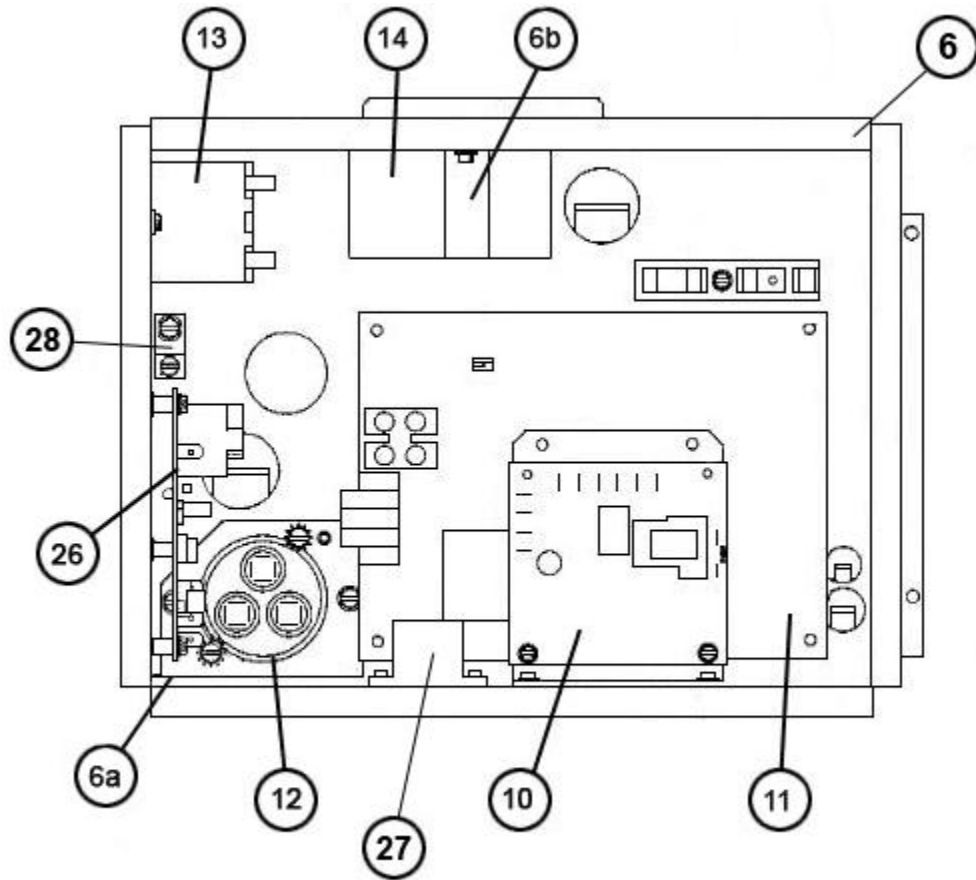
No.	Notes	MODEL COOLING CAPACITY VARIATION	RPRL -024 JEC	RPRL -025 JEC	RPRL -036 JEC	RPRL -037 JEC
COMPRESSOR GROUP						
		Compressor ID:	7220	8483	7221	8484
25	Stk	Compressor	55-23156-08S	55-23156-35S	55-23156-09S	55-23156-36S
	Stk,1	Compressor Wiring Harness (Line Voltage - Molded Plug) - See Note 1	45-100834-80	45-100834-80	45-100834-80	45-100834-80
	1	Compressor Wiring Harness (Low Voltage - Molded Plug) - See Note 1	45-101723-01	45-101723-01	45-101723-01	45-101723-01
12	Stk	Capacitor - Compressor Run	43-100510-23	43-101666-23	43-21298-25	43-101666-24
13	Stk	Start Relay	42-100491-09	42-100491-09	42-100491-09	42-100491-09
14	Stk	Start Capacitor	43-17075-04	43-17075-04	43-17075-04	43-17075-04
	Stk	Crankcase Heater	44-101884-05	44-101884-08	44-101884-05	44-101884-08
		Sound Enclosure	68-23427-24	68-23427-26	68-23427-24	68-23427-26

No.	Notes	MODEL COOLING CAPACITY VARIATION	RPRL -048 JEC	RPRL -049 JEC	RPRL -060 JEC	RPRL -061 JEC
COMPRESSOR GROUP						
		Compressor ID:	7222	8485	7223	8486
25	Stk	Compressor	55-23156-10S	55-23156-37S	55-23156-11S	55-23156-34S
	Stk,1	Compressor Wiring Harness (Line Voltage - Molded Plug) - See Note 1	45-100834-80	45-100834-80	45-100834-09	45-100834-09
	1	Compressor Wiring Harness (Low Voltage - Molded Plug) - See Note 1	45-101723-01	45-101723-01	45-101723-01	45-101723-01
12	Stk	Capacitor - Compressor Run	43-21298-37	43-101666-36	43-100510-51	43-101666-25
13	Stk	Start Relay	42-100491-09	42-100491-11	42-100491-09	42-100491-11
14	Stk	Start Capacitor	43-17075-04	43-17075-04	43-17075-04	43-17075-04
	Stk	Crankcase Heater	44-101884-05	44-101884-05	44-101884-05	44-101884-05
		Sound Enclosure	68-23427-24	68-23427-25	68-23427-19	68-23427-25

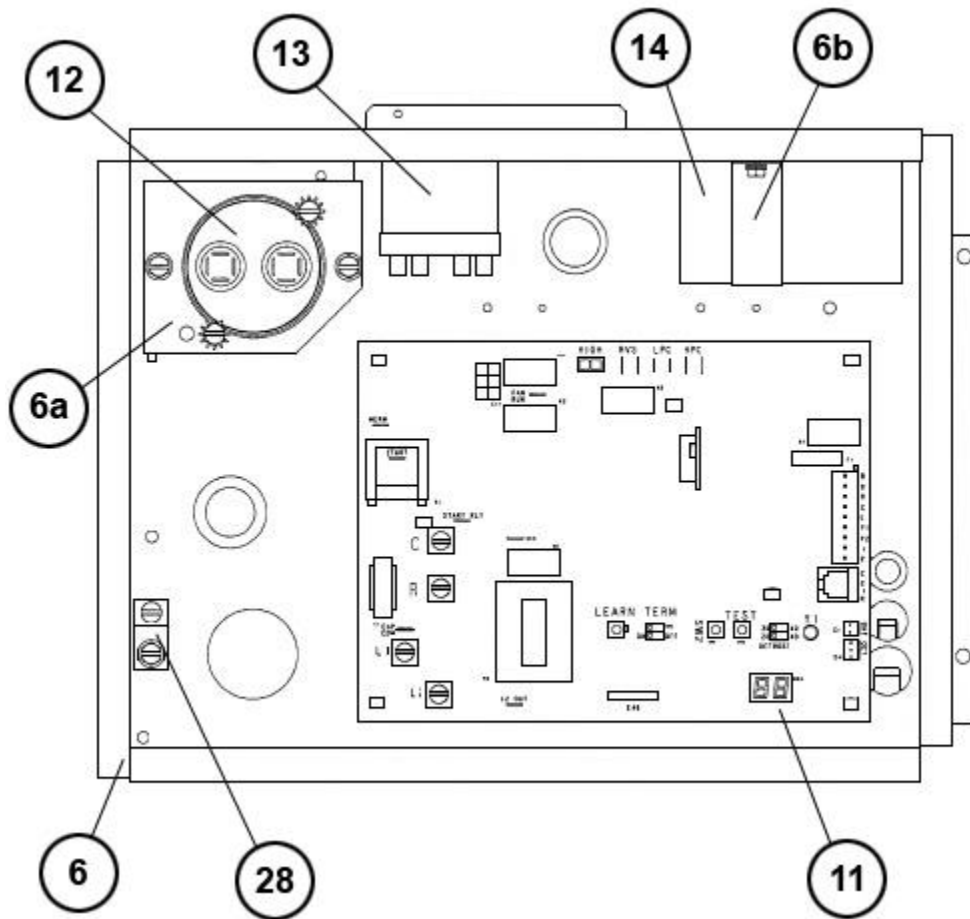
No.	Notes	MODEL COOLING CAPACITY	RPRL ALL			
ACCESSORIES						
		Outdoor Thermostat (One Thermostat w/box)	RXPT-A01			
		Outdoor Thermostat (One Thermostat w/o box)	RXPT-A02			
		Outdoor Thermostat (One w/Heat Relay and box)	RXPT-A03			
		Outdoor Thermostat (Two Thermostats w/Heat and box)	RXPT-A04			
		Blower Time Delay Control	RXMD-C06			
		Low Ambient Control	RXAD-A08			



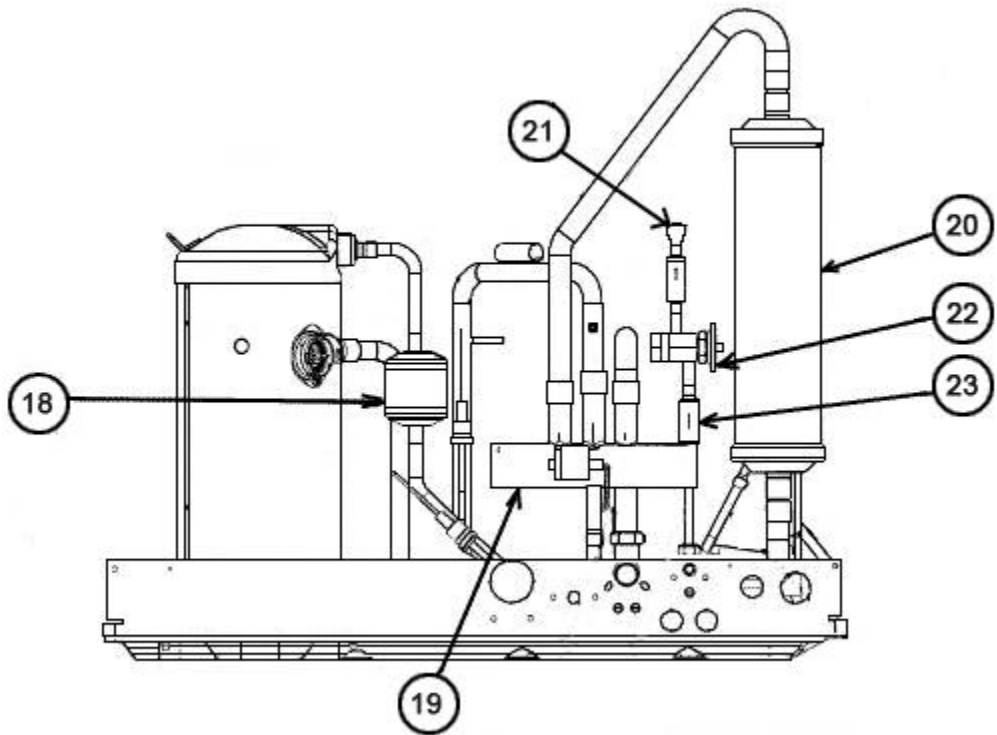
Exploded View



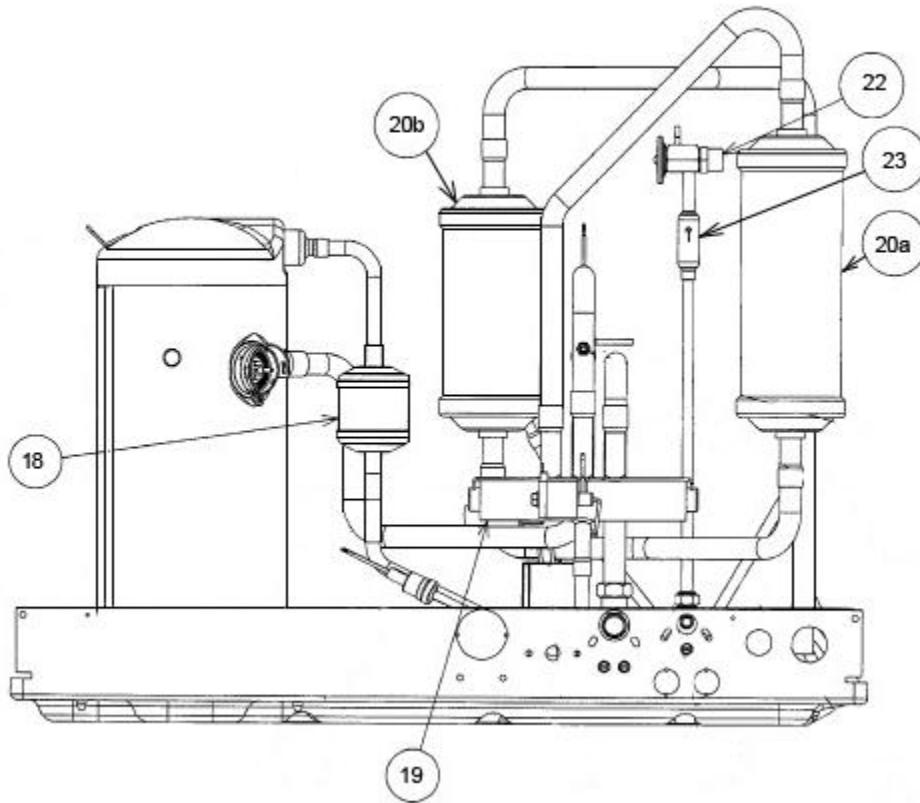
Control Box Assembly (JEZ)



Control Box Assembly (JEC)



Compressor and Refrigeration Assembly



Compressor and Refrigeration Assembly (JEC 036 after 2909)

NOTES

Stk It is recommended that stock be maintained for this part.

N/A Not Applicable

- 1 Wiring harnesses not listed individually are included with the Control Box (item 6).
- 2 Pertains to units produced after M2008 that utilize Defrost Control Board 47-102684-01.
- 3 The reversing valve specified for 036, 037, 048 models may be different than the one originally supplied with the equipment. The use of the specified valve is recommended for improved shifting performance.
- 4 For replacing muffler on -025 models, order AE-100358-01 and AE-101865-49 Tubing for units manufactured before Date Code 4112.
- 5 For replacing muffler on -037 models, order AE-101865-50 Tubing for units manufactured before Date Code 4112.
- 6 For replacing muffler on -049 or -061 models, order AE-101864-74 and AE-101865-51 Tubing for units manufactured before Date Code 4712.

DISCLAIMER: This document is intended to provide general replacement parts information to aid qualified service personnel in the repair of these models. The complete Model and Serial Number of the unit under repair should be specified when selecting and ordering replacement parts. Specifications and illustrations are subject to change without notice. Document 92-42800-RPRL supersedes all previous parts lists for these models. See <http://www.rheempartslists.net/92-42800-RPRL> for the latest revision of this document. The manufacturer assumes no obligation for errors or omissions. Service personnel must verify the proper and safe operation of equipment after the replacement of any original components.