



RPQL

Parts List
30-October-2013



*This parts list is current as of the above revision date.
See <http://www.rheempartslists.net/92-42800-RPQL.pdf> for the current revision.*

Heat Pumps

Table of Contents

Model Explanation	Page 3
Parts Numbers	
Panels - Miscellaneous (Granite-Steel Gray)	Page 4
Panels - Miscellaneous (Neutra Green)	Page 5
Electrical Group (JAZ)	Page 6
Electrical Group (JEZ)	Page 7
Fan Group	Page 8
Coil Parts	Page 9
Compressor Group	Page 10
Accessories	Page 11
Drawings/Photographs	
Exploded View	Page 12
Control Box Assembly (JAZ)	Page 13
Control Box Assembly (JEZ)	Page 14
Notes/Disclaimer	Page 15

MODEL NUMBER EXPLANATION

R	P	Q	L	-	0	2	4	J	E	Z
(1)	(2)	(3)	(4)		(5)			(6)	(7)	(8)

- | | |
|---|---|
| <p>(1) TRADEBRAND IDENTIFICATION</p> <p>(2) MODEL
P = Heat Pump</p> <p>(3) TYPE</p> <p>(4) DESIGN SERIES / VARIATION
L = Design Series (R-410A)</p> <p>(5) COOLING CAPACITY (BTU/HR)
018 = 18,000
024 = 24,000
030 = 30,000
036/037 = 36,000
042/043 = 42,000
048/049 = 48,000
056 = 54,000
060 = 60,000</p> | <p>(6) ELECTRICAL DESIGNATION
J = 208-230/1/60</p> <p>(7) VARIATIONS
A = Full Featured
E = Electronic Model</p> <p>(8) COMPRESSOR
Z = Sweat w/Scroll</p> |
|---|---|

SERIAL NUMBER EXPLANATION

7	0	6	0	M	2	7	0	4	9	9	9	9	9
(1)				(2)	(3)		(4)		(5)				

- (1) COMPRESSOR IDENTIFICATION NUMBER**
- (2) PRODUCTION LOCATION**
- (3) WEEK OF PRODUCTION**
- (4) YEAR OF PRODUCTION**
- (5) PRODUCTION NUMBER**

No.	Notes	MODEL COOLING CAPACITY	RPQL -018	RPQL -024	RPQL -030	RPQL -036	RPQL -037	RPQL -042
SHEET METAL PARTS, MISCELLANEOUS (Granite/Steel Gray, After Date Code 4811)								
1		Base Pan	AE-58426-82	AE-58426-83	AE-58426-83	AE-58426-83	AE-58426-83	AE-58426-83
2		Button Plug	45-22980-07	45-22980-07	45-22980-07	45-22980-07	45-22980-07	45-22980-07
3		Cabinet	AE-100609-83	AE-100609-84	AE-100609-86	AE-100609-86	AE-100609-87	AE-100609-86
4		Top Panel	AE-100618-82	AE-100618-85	AE-100618-85	AE-100618-85	AE-100618-85	AE-100618-85
5		Grille	95-100906-02	95-100906-04	95-100906-04	95-100906-04	95-100906-04	95-100906-04
6		Control Box (JAZ models)	AE-100633-01	AE-100633-01	AE-100633-01	AE-100633-01	AE-100633-01	AE-100633-01
6	1	Control Box (JEZ models)	10-102307-07	10-102307-07	10-102307-07	10-102307-07	10-102307-07	10-102307-07
		Control Box - Dust Cover Assembly (JEZ models)	10-102360-01	10-102360-01	10-102360-01	10-102360-01	10-102360-01	10-102360-01
6a		Capacitor Adapter Plate (2 in. round capacitor)	AE-54609-01	AE-54609-01	AE-54609-01	AE-54609-01	AE-54609-01	AE-54609-01
6a		Capacitor Adapter Plate (2 in. X 1-1/4 in. oval capacitor)	AE-54609-02	AE-54609-02	AE-54609-02	AE-54609-02	AE-54609-02	AE-54609-02
6b		Capacitor Strap - Start Capacitor (JEZ)	AE-50892-51	AE-50892-51	AE-50892-51	AE-50892-51	AE-50892-51	AE-50892-51
7		Access Panel	AE-100617-83	AE-100617-84	AE-100617-86	AE-100617-86	AE-100617-87	AE-100617-86
8		Service Valve - Suction	61-21368-15	61-21368-15	61-21368-15	61-21368-15	61-21368-15	61-21368-16
9		Service Valve - Liquid	61-101160-13	61-101160-13	61-101160-13	61-101160-13	61-101160-13	61-101160-13
		Touch-up Paint - Gray (Aerosol)	523009	523009	523009	523009	523009	523009
		Touch-up Paint - Gray (Paint Pens)	523011	523011	523011	523011	523011	523011

No.	Notes	MODEL COOLING CAPACITY	RPQL -043	RPQL -048	RPQL -049	RPQL -056	RPQL -060	
SHEET METAL PARTS, MISCELLANEOUS (Granite/Steel Gray, After Date Code 4811)								
1		Base Pan	AE-58426-83	AE-58426-83	AE-58426-83	AE-58426-83	AE-58426-83	
2		Button Plug	45-22980-07	45-22980-07	45-22980-07	45-22980-07	45-22980-07	
3		Cabinet	AE-100609-87	AE-100609-87	AE-100609-87	AE-100609-87	AE-100609-87	
4		Top Panel	AE-100618-85	AE-100618-85	AE-100618-85	AE-100618-85	AE-100618-85	
5		Grille	95-100906-04	95-100906-04	95-100906-04	95-100906-04	95-100906-04	
6		Control Box (JAZ models)	AE-100633-01	AE-100633-01	AE-100633-01	AE-100633-01	AE-100633-01	
6	1	Control Box (JEZ models)	10-102307-07	10-102307-07	10-102307-07	10-102307-07	10-102307-07	
		Control Box - Dust Cover Assembly (JEZ models)	10-102360-01	10-102360-01	10-102360-01	10-102360-01	10-102360-01	
6a		Capacitor Adapter Plate (2 in. round capacitor)	AE-54609-01	AE-54609-01	AE-54609-01	AE-54609-01	AE-54609-01	
6a		Capacitor Adapter Plate (2 in. X 1-1/4 in. oval capacitor)	AE-54609-02	AE-54609-02	AE-54609-02	AE-54609-02	AE-54609-02	
6b		Capacitor Strap - Start Capacitor (JEZ)	AE-50892-51	AE-50892-51	AE-50892-51	AE-50892-51	AE-50892-51	
7		Access Panel	AE-100617-87	AE-100617-87	AE-100617-87	AE-100617-87	AE-100617-87	
8		Service Valve - Suction	61-101160-21	61-21368-16	61-21368-16	61-21368-16	61-21368-16	
9		Service Valve - Liquid	61-101160-13	61-101160-13	61-101160-13	61-101160-13	61-101160-13	
		Touch-up Paint - Gray (Aerosol)	523009	523009	523009	523009	523009	
		Touch-up Paint - Gray (Paint Pens)	523011	523011	523011	523011	523011	

No.	Notes	MODEL COOLING CAPACITY	RPQL -018	RPQL -024	RPQL -030	RPQL -036	RPQL -037
SHEET METAL PARTS, MISCELLANEOUS (Neutra Green, Before Date Code 4811)							
1		Base Pan	AE-58426-02	AE-58426-03	AE-58426-03	AE-58426-03	AE-58426-03
2		Button Plug	45-22980-07	45-22980-07	45-22980-07	45-22980-07	45-22980-07
3		Cabinet	AE-100609-03	AE-100609-04	AE-100609-06	AE-100609-06	AE-100609-07
4		Top Panel	AE-100618-02	AE-100618-05	AE-100618-05	AE-100618-05	AE-100618-05
5		Grille	95-100906-02	95-100906-04	95-100906-04	95-100906-04	95-100906-04
6		Control Box (JAZ models)	AE-100633-01	AE-100633-01	AE-100633-01	AE-100633-01	AE-100633-01
6	1	Control Box (JEZ models) - Before Date Code 2310	10-102307-04	10-102307-04	10-102307-04	10-102307-04	10-102307-07
6	1	Control Box (JEZ models) - After Date Code 2310	10-102307-07	10-102307-07	10-102307-07	10-102307-07	10-102307-07
		Control Box - Dust Cover Assembly (JEZ models)	10-102360-01	10-102360-01	10-102360-01	10-102360-01	10-102360-01
6a		Capacitor Adapter Plate (2 in. round capacitor)	AE-54609-01	AE-54609-01	AE-54609-01	AE-54609-01	AE-54609-01
6a		Capacitor Adapter Plate (2 in. X 1-1/4 in. oval capacitor)	AE-54609-02	AE-54609-02	AE-54609-02	AE-54609-02	AE-54609-02
6b		Capacitor Strap - Start Capacitor (JEZ)	AE-50892-51	AE-50892-51	AE-50892-51	AE-50892-51	AE-50892-51
7		Access Panel	AE-100617-03	AE-100617-04	AE-100617-06	AE-100617-06	AE-100617-07
8		Service Valve - Suction	61-21368-15	61-21368-15	61-21368-15	61-21368-15	61-21368-15
9		Service Valve - Liquid	61-101160-13	61-101160-13	61-101160-13	61-101160-13	61-101160-13
		Touch-up Paint - Green (Aerosol)	52-18662-48	52-18662-48	52-18662-48	52-18662-48	52-18662-48
		Touch-up Paint - Green (Paint Pens)	523010	523010	523010	523010	523010

No.	Notes	MODEL COOLING CAPACITY	RPQL -042	RPQL -048	RPQL -056	RPQL -060
SHEET METAL PARTS, MISCELLANEOUS (Neutra Green, Before Date Code 4811)						
1		Base Pan	AE-58426-03	AE-58426-03	AE-58426-03	AE-58426-03
2		Button Plug	45-22980-07	45-22980-07	45-22980-07	45-22980-07
3		Cabinet	AE-100609-06	AE-100609-07	AE-100609-07	AE-100609-07
4		Top Panel	AE-100618-05	AE-100618-05	AE-100618-05	AE-100618-05
5		Grille	95-100906-04	95-100906-04	95-100906-04	95-100906-04
6		Control Box (JAZ models)	AE-100633-01	AE-100633-01	AE-100633-01	AE-100633-01
6	1	Control Box (JEZ models) - Before Date Code 2310	10-102307-04	10-102307-04	10-102307-04	10-102307-04
6	1	Control Box (JEZ models) - After Date Code 2310	10-102307-07	10-102307-07	10-102307-07	10-102307-07
		Control Box - Dust Cover Assembly (JEZ models)	10-102360-01	10-102360-01	10-102360-01	10-102360-01
6a		Capacitor Adapter Plate (2 in. round capacitor)	AE-54609-01	AE-54609-01	AE-54609-01	AE-54609-01
6a		Capacitor Adapter Plate (2 in. X 1-1/4 in. oval capacitor)	AE-54609-02	AE-54609-02	AE-54609-02	AE-54609-02
6b		Capacitor Strap - Start Capacitor (JEZ)	AE-50892-51	AE-50892-51	AE-50892-51	AE-50892-51
7		Access Panel	AE-100617-06	AE-100617-07	AE-100617-07	AE-100617-07
8		Service Valve - Suction	61-21368-16	61-21368-16	61-21368-16	61-21368-16
9		Service Valve - Liquid	61-101160-13	61-101160-13	61-101160-13	61-101160-13
		Touch-up Paint - Green (Aerosol)	52-18662-48	52-18662-48	52-18662-48	52-18662-48
		Touch-up Paint - Green (Paint Pens)	523010	523010	523010	523010

No.	Notes	MODEL COOLING CAPACITY VARIATION	RPQL -018 JAZ	RPQL -024 JAZ	RPQL -030 JAZ	RPQL -036 JAZ	RPQL -037 JAZ	RPQL -042 JAZ
ELECTRICAL GROUP								
CONTROL BOX COMPONENTS:								
10	Stk	Defrost Control Board	47-102685-04	47-102685-04	47-102685-04	47-102685-04	47-102685-04	47-102685-04
	Stk	Defrost Sensor	47-102710-01	47-102710-01	47-102710-01	47-102710-01	47-102710-01	47-102710-01
	Stk	Ambient Sensor	47-102709-01	47-102709-01	47-102709-01	47-102709-01	47-102709-01	47-102709-01
11	Stk	Contactora	42-42478-03	42-42478-03	42-42478-03	42-42478-03	42-42478-03	42-42478-03
12		Capacitor - Compressor/Fan	See Compressor Group					
	1	Wiring Harness - Fan Motor	See Fan Group					
	1	Wiring Harness - Compressor Molded Plug	See Compressor Group					

No.	Notes	MODEL COOLING CAPACITY VARIATION	RPQL -043 JAZ	RPQL -048 JAZ	RPQL -049 JAZ	RPQL -056 JAZ	RPQL -060 JAZ
ELECTRICAL GROUP							
CONTROL BOX COMPONENTS:							
10	Stk	Defrost Control Board	47-102684-08	47-102685-04	47-102684-08	47-102685-04	47-102685-04
	Stk	Defrost Sensor	47-102710-01	47-102710-01	47-102710-01	47-102710-01	47-102710-01
	Stk	Ambient Sensor	47-102709-01	47-102709-01	47-102709-01	47-102709-01	47-102709-01
11	Stk	Contactora	42-42478-03	42-42478-03	42-42478-03	42-42478-02	42-42478-02
12		Capacitor - Compressor/Fan	See Compressor Group				
	1	Wiring Harness - Fan Motor	See Fan Group				
	1	Wiring Harness - Compressor Molded Plug	See Compressor Group				

No.	Notes	MODEL COOLING CAPACITY VARIATION	RPQL	RPQL	RPQL	RPQL	RPQL	RPQL
			-018 JEZ	-024 JEZ	-030 JEZ	-036 JEZ	-037 JEZ	-042 JEZ
ELECTRICAL GROUP								
CONTROL BOX COMPONENTS:								
10	Stk,3	Defrost Control Board - Before Date Code 2310 (See Note 3)	47-102684-01	47-102684-01	47-102684-01	47-102684-01	N/A	47-102684-01
12		Capacitor - Compressor/Fan	See Compressor Group					
13		Start Relay	See Compressor Group					
14		Capacitor - Compressor Start	See Compressor Group					
15	Stk	Control Board - Before Date Code 2310	47-102090-03	47-102090-03	47-102090-03	47-102090-03	N/A	47-102090-03
15	Stk	Control Board - After Date Code 2310	47-102090-06	47-102090-06	47-102090-06	47-102090-06	47-102090-06	47-102090-06
	Stk,3	Defrost Sensor - After Date Code 2310 (See Note 3)	47-102710-01	47-102710-01	47-102710-01	47-102710-01	47-102710-01	47-102710-01
	Stk,3	Ambient Sensor - After Date Code 2310 (See Note 3)	47-102709-01	47-102709-01	47-102709-01	47-102709-01	N/A	47-102709-01
20		Defrost Relay	See Compressor Group					
	1	Wiring Harness - After Date Code 2310 (7 pin to 6 Stripped Leads)	45-102134-10	45-102134-10	45-102134-10	45-102134-10	45-102134-10	45-102134-10
	1	Wiring Harness - After Date Code 2310 (8 pin to 6 Quick Connects)	45-102180-02	45-102180-02	45-102180-02	45-102180-02	45-102180-02	45-102180-02
		Terminal Block (2) - After Date Code 2310	45-102124-01	45-102124-01	45-102124-01	45-102124-01	45-102124-01	45-102124-01
		Bushing - Strain Relief (After Date Code 2310)	45-17055-18	45-17055-18	45-17055-18	45-17055-18	45-17055-18	45-17055-18
	1	Wiring Harness - Fan Motor (See Note 1)	See Fan Group					
	1	Wiring Harness - Compressor Molded Plug (See Note 1)	See Compressor Group					
	1	Wiring Harnesses	See Note 1					

No.	Notes	MODEL COOLING CAPACITY VARIATION	RPQL	RPQL	RPQL	RPQL	RPQL	RPQL
			-043 JEZ	-048 JEZ	-049 JEZ	-056 JEZ	-060 JEZ	-060 JEZ
ELECTRICAL GROUP								
CONTROL BOX COMPONENTS:								
10	Stk,3	Defrost Control Board - Before Date Code 2310 (See Note 3)	N/A	47-102684-01	N/A	47-102684-01	N/A	47-102684-01
12		Capacitor - Compressor/Fan	See Compressor Group					
13		Start Relay	See Compressor Group					
14		Capacitor - Compressor Start	See Compressor Group					
15	Stk	Control Board - Before Date Code 2310	N/A	47-102090-03	N/A	47-102090-03	47-102090-03	47-102090-03
15	Stk	Control Board - After Date Code 2310	47-102090-06	47-102090-06	47-102090-06	47-102090-06	47-102090-06	47-102090-06
	Stk,3	Defrost Sensor - After Date Code 2310 (See Note 3)	47-102710-01	47-102710-01	47-102710-01	47-102710-01	47-102710-01	47-102710-01
	Stk,3	Ambient Sensor - After Date Code 2310 (See Note 3)	47-102709-01	47-102709-01	47-102709-01	47-102709-01	47-102709-01	47-102709-01
20		Defrost Relay	See Compressor Group					
	1	Wiring Harness - After Date Code 2310 (7 pin to 6 Stripped Leads)	45-102134-10	45-102134-10	45-102134-10	45-102134-10	45-102134-10	45-102134-10
	1	Wiring Harness - After Date Code 2310 (8 pin to 6 Quick Connects)	45-102180-02	45-102180-02	45-102180-02	45-102180-02	45-102180-02	45-102180-02
		Terminal Block (2) - After Date Code 2310	45-102124-01	45-102124-01	45-102124-01	45-102124-01	45-102124-01	45-102124-01
		Bushing - Strain Relief (After Date Code 2310)	45-17055-18	45-17055-18	45-17055-18	45-17055-18	45-17055-18	45-17055-18
	1	Wiring Harness - Fan Motor (See Note 1)	See Fan Group					
	1	Wiring Harness - Compressor Molded Plug (See Note 1)	See Compressor Group					
	1	Wiring Harnesses	See Note 1					

No.	Notes	MODEL COOLING CAPACITY	RPQL -018	RPQL -024	RPQL -030	RPQL -036	RPQL -037	
FAN GROUP								
18	Stk	Fan Motor - Before W1112, F0812	51-102870-01	51-102870-01	51-102870-01	51-102870-01	51-101774-12	
18	Stk	Fan Motor - After W1112, F0812	51-101774-14	51-102870-01	51-101774-15	51-102870-01	51-101774-12	
12		Capacitor - Fan Motor	See Compressor Group					
19	Stk	Fan Blade - Before W1112, F0812	70-102011-06	70-102033-04	70-102033-04	70-102033-04	70-21858-17	
19	Stk	Fan Blade - After W1112, F0812	70-102011-17	70-102033-04	70-102011-09	70-102033-04	70-21858-17	
	1	Wiring Harness - PSC Fan Motor - See Note 1	45-102120-01	N/A	45-102120-01	N/A	45-102120-01	
	1	Wiring Harness - ECM Fan Motor - See Note 1	45-102122-02	45-102122-02	45-102122-02	45-102122-02	N/A	

No.	Notes	MODEL COOLING CAPACITY	RPQL -048	RPQL -056	RPQL -060			
FAN GROUP								
18	Stk	Fan Motor - Before W1112, F0812	51-102870-02	51-102728-11	51-102728-10			
18	Stk	Fan Motor - After W1112, F0812	51-101774-16	51-102728-11	51-101774-19			
12		Capacitor - Fan Motor	See Compressor Group					
19	Stk	Fan Blade - Before W1112, F0812	70-102033-04	70-21858-17	70-102033-04			
19	Stk	Fan Blade - After W1112, F0812	70-102033-04	70-21858-17	70-102011-03			
	1	Wiring Harness - PSC Fan Motor - See Note 1	45-102120-01	N/A	45-102120-01			
	1	Wiring Harness - ECM Fan Motor - See Note 1	45-102122-02	45-102122-02	45-102122-02			

No.	Notes	MODEL COOLING CAPACITY	RPQL -042					
FAN GROUP								
18	Stk,4	Fan Motor - Before Date Code 1112	51-102870-01					
18	Stk,4	Fan Motor - From Date Code 1112 to 1712 (See Note 4)	51-101774-17					
18	Stk,4	Fan Motor - After Date Code 1712	51-102870-01					
12		Capacitor - Fan Motor	See Compressor Group					
19	Stk,4	Fan Blade - Before Date Code 1112	70-102033-04					
19	Stk,4	Fan Blade - From Date Code 1112 to 1712 (See Note 4)	70-102011-03					
19	Stk,4	Fan Blade - After Date Code 1712	70-102033-04					
	1	Wiring Harness - PSC Fan Motor - See Note 1	45-102120-01					
	1	Wiring Harness - ECM Fan Motor - See Note 1	45-102122-02					

No.	Notes	MODEL COOLING CAPACITY	RPQL -043	RPQL -049				
FAN GROUP								
18	Stk	Fan Motor	51-102008-08	51-102008-07				
12		Capacitor - Fan Motor	See Compressor Group					
19	Stk	Fan Blade	70-21858-17	70-102033-04				
	1	Wiring Harness - PSC Fan Motor - See Note 1	45-102120-01	45-102120-01				

No.	Notes	MODEL COOLING CAPACITY	RPQL -018	RPQL -024	RPQL -030	RPQL -036	RPQL -037		
COIL GROUP									
8		Service Valve - Suction	See Panels - Miscellaneous						
9		Service Valve - Liquid	See Panels - Miscellaneous						
17	Stk	Condenser Coil	AS-102229-03	AS-101863-03	AS-102861-03	AS-102867-01	AS-104144-03		
	Stk	Distributor - 2 way (5/8 in. to 3/8 in.) - w/o Header Tubes	83-17467-03	83-17467-03	83-17467-03	N/A	N/A		
	Stk	Distributor - w/Strainer	83-102186-01	83-102186-01	83-101782-10	83-102186-02	83-102186-04		
	Stk	Filter Drier	83-41719-02	83-41719-02	83-41719-02	83-41719-02	83-41719-02		
	Stk	High Pressure Control (90 Deg Elbow with 1/4 inch connection)	N/A	N/A	N/A	N/A	47-103669-01		
	Stk	Low Pressure Control (90 Deg Elbow with 1/4 inch connection)	N/A	N/A	N/A	N/A	47-103670-03		
	Stk	High Pressure Control (90 Deg Elbow with 5/16 inch connection) - before W0311	47-26184-02	47-26184-02	47-26184-02	47-26184-02	N/A		
	Stk	High Pressure Control (90 Deg Elbow with 1/4 inch connection) - after W0311	47-103669-01	47-103669-01	47-103669-01	47-103669-01	N/A		
	Stk	Low Pressure Control (90 Deg Elbow with 5/16 inch connection) - before W0311	47-101529-07	47-101529-07	47-101529-07	47-101529-07	N/A		
	Stk	Low Pressure Control (90 Deg Elbow with 1/4 inch connection) - after W0311	47-103670-03	47-103670-03	47-103670-03	47-103670-03	N/A		
	Stk	Muffler	83-26251-01	83-26251-01	83-26251-01	83-26251-01	83-26251-01		
	Stk,2	Reversing Valve - See Note 2	61-102331-04	61-102331-04	61-102331-04	61-102498-09	61-102498-09		
	Stk	Solenoid Coil - Reversing Valve	61-101713-92	61-101713-92	61-101713-92	61-101713-92	61-101713-92		
		Wiring Harness - Reversing Valve (JAZ models)	61-26149-03	61-26149-03	61-26149-03	61-26149-03	61-26149-03		
	1	Wiring Harness - Reversing Valve (JEZ models) - See Note 1	61-26149-04	61-26149-04	61-26149-04	61-26149-04	61-26149-04		
		Charge Compensator	N/A	N/A	N/A	83-25361-08	83-25361-06		
	Stk	TXV	61-26196-19	61-26196-19	61-26196-20	61-26196-16	61-102321-19		
		Bulb Strainer	83-26020-02	83-26020-02	83-26020-02	83-26020-02	83-26020-02		
8		Service Valve - Suction	See Panels - Miscellaneous						
9		Service Valve - Liquid	See Panels - Miscellaneous						

No.	Notes	MODEL COOLING CAPACITY	RPQL -042	RPQL -043	RPQL -048	RPQL -049	RPQL -056	RPQL -060	
COIL GROUP									
8		Service Valve - Suction	See Panels - Miscellaneous						
9		Service Valve - Liquid	See Panels - Miscellaneous						
17	Stk	Condenser Coil	AS-102869-01	AS-101974-03	AS-102897-01	AS-102137-03	AS-102085-01	AS-102085-01	
	Stk	Distributor - w/Strainer	83-102186-02	83-102186-02	83-102186-02	83-102186-02	83-102186-03	83-102186-03	
	Stk	Filter Drier	83-41719-02	83-41719-02	83-41719-02	83-41719-02	83-41719-02	83-41719-02	
	Stk	High Pressure Control (90 Deg Elbow with 5/16 inch connection) - before W0311	47-26184-02	N/A	47-26184-02	N/A	47-26184-02	47-26184-02	
	Stk	High Pressure Control (90 Deg Elbow with 1/4 inch connection) - after W0311	47-103669-01	47-103669-01	47-103669-01	47-103669-01	47-103669-01	47-103669-01	
	Stk	Low Pressure Control (90 Deg Elbow with 5/16 inch connection) - before W0311	47-101529-07	N/A	47-101529-07	N/A	47-101529-07	47-101529-07	
	Stk	Low Pressure Control (90 Deg Elbow with 1/4 inch connection) - after W0311	47-103670-03	47-103670-03	47-103670-03	47-103670-03	47-103670-03	47-103670-03	
	Stk	Muffler (Before W4013)	83-26251-01	83-26251-01	83-26251-01	83-26251-01	83-26251-01	83-26251-01	
	Stk	Muffler (On or After W4013)	83-26251-01	83-26251-01	83-26251-01	83-26251-01	83-104417-01	83-104417-01	
	Stk,2	Reversing Valve - See Note 2 (Before W0312)	61-101684-06	61-102498-09	61-101684-06	61-102498-06	61-102498-03	61-101684-03	
	Stk,2	Reversing Valve - See Note 2 (On or After W0312)	61-101684-06	61-102498-09	61-101684-06	61-102498-06	61-102498-06	61-102498-06	
	Stk	Solenoid Coil - Reversing Valve	61-101713-92	61-101713-92	61-101713-92	61-101713-92	61-101713-92	61-101713-92	
		Wiring Harness - Reversing Valve (JAZ models)	61-26149-03	61-26149-03	61-26149-03	61-26149-03	61-26149-03	61-26149-03	
	1	Wiring Harness - Reversing Valve (JEZ models) - See Note 1	61-26149-04	61-26149-03	61-26149-04	61-26149-03	61-26149-04	61-26149-04	
		Charge Compensator	83-25361-13	N/A	83-25361-11	83-25361-05	N/A	N/A	
	Stk	TXV	61-102321-09	61-102321-20	61-102321-08	61-26196-18	61-26196-18	61-26196-18	
		Bulb Strainer	83-26020-02	83-26020-02	83-26020-02	83-26020-02	83-26020-02	83-26020-02	
8		Service Valve - Suction	See Panels - Miscellaneous						
9		Service Valve - Liquid	See Panels - Miscellaneous						

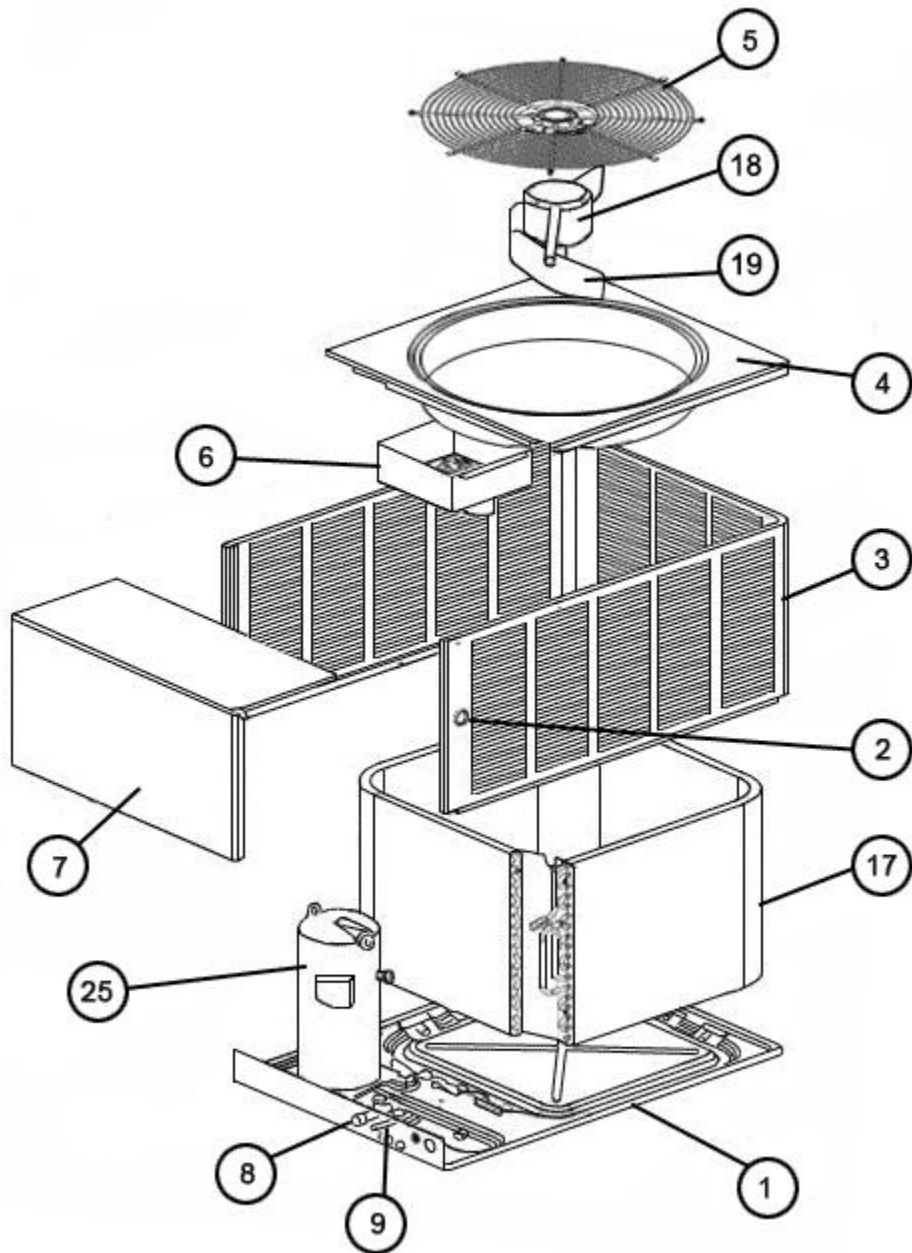
No.	Notes	MODEL COOLING CAPACITY	RPQL -018	RPQL -024	RPQL -030	RPQL -036	RPQL -037
COMPRESSOR GROUP							
		Compressor ID:	7953	7954	7955	7956	8529
25	Stk	Compressor	55-102045-14S	55-102045-24S	55-102045-02S	55-102045-03S	55-102045-03S
	Stk	Compressor Wiring Harness (Molded Plug - JAZ models)	45-100834-80	45-100834-80	45-100834-80	45-100834-80	45-100834-80
	Stk,1	Compressor Wiring Harness (Molded Plug - JEZ models) - See Note 1	45-100834-07	45-100834-07	45-100834-07	45-100834-07	45-100834-07
12	Stk	Capacitor - Compressor (Before W1112, F0812)	43-100510-36	43-100510-20	43-101666-24	43-101666-37	43-101665-41
12	Stk	Capacitor - Compressor After W1112, F0812)	N/A	43-100510-20	N/A	43-101666-37	43-101665-41
12	Stk	Capacitor - Compressor/Fan (After W1112, F0812)	43-101665-03	N/A	43-101665-09	N/A	N/A
13	Stk	Start Relay (JEZ models)	42-18282-09	42-18282-09	42-18282-09	42-18282-09	42-18282-09
14	Stk	Start Capacitor (JEZ models)	43-17075-04	43-17075-04	43-17075-04	43-17075-04	43-17075-04
20	Stk	Defrost Relay (JEZ models) - Before Date Code 2310	42-23114-06	42-23114-06	42-23114-06	42-23114-06	N/A
20	Stk	Defrost Relay (JEZ models) - After Date Code 2310	N/A	N/A	N/A	N/A	N/A

No.	Notes	MODEL COOLING CAPACITY	RPQL -048	RPQL -056	RPQL -060		
COMPRESSOR GROUP							
		Compressor ID:	7958	8257	7959		
25	Stk	Compressor	55-102045-06S	55-102045-58S	55-102045-26S		
	Stk	Compressor Wiring Harness (Molded Plug - JAZ models)	45-100834-80	45-100834-80	45-100834-80		
	Stk,1	Compressor Wiring Harness (Molded Plug - JEZ models) - See Note 1	45-100834-07	45-100834-08	45-100834-08		
12	Stk	Capacitor - Compressor (Before W1112, F0812)	43-101666-37	43-100510-29	43-100510-29		
12	Stk	Capacitor - Compressor After W1112, F0812)	N/A	43-100510-29	N/A		
12	Stk	Capacitor - Compressor/Fan (After W1112, F0812)	43-101665-41	N/A	43-101665-53		
13	Stk	Start Relay (JEZ models)	42-18282-09	42-18282-09	42-18282-09		
14	Stk	Start Capacitor (JEZ models)	43-17075-04	43-17075-04	43-17075-04		
20	Stk	Defrost Relay (JEZ models) - Before Date Code 2310	42-23114-06	42-23114-06	42-23114-06		
20	Stk	Defrost Relay (JEZ models) - After Date Code 2310	N/A	N/A	N/A		

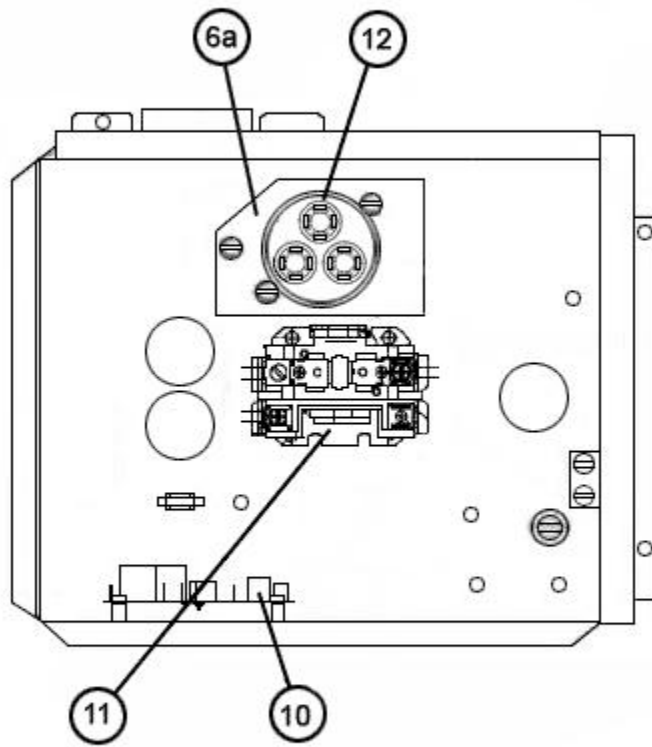
No.	Notes	MODEL COOLING CAPACITY	RPQL -042				
COMPRESSOR GROUP							
		Compressor ID:	7957				
25	Stk	Compressor	55-102045-15S				
	Stk	Compressor Wiring Harness (Molded Plug - JAZ models)	45-100834-80				
	Stk,1	Compressor Wiring Harness (Molded Plug - JEZ models) - See Note 1	45-100834-07				
12	Stk,4	Capacitor - Compressor (Before Date Code 1112)	43-101666-37				
12	Stk,4	Capacitor - Compressor/Fan (From Date Code 1112 to 1712) - See Note 4	43-101665-41				
12	Stk,4	Capacitor - Compressor (After Date Code 1712)	43-101666-37				
13	Stk	Start Relay (JEZ models)	42-100491-09				
14	Stk	Start Capacitor (JEZ models)	43-17075-04				
20	Stk	Defrost Relay (JEZ models) - Before Date Code 2310	42-23114-06				
20	Stk	Defrost Relay (JEZ models) - After Date Code 2310	N/A				

No.	Notes	MODEL COOLING CAPACITY	RPQL -043	RPQL -049			
COMPRESSOR GROUP							
		Compressor ID:	8620	8632			
25	Stk	Compressor	55-102045-15S	55-102045-06S			
	Stk	Compressor Wiring Harness (Molded Plug - JAZ models)	45-100834-80	45-100834-80			
	Stk,1	Compressor Wiring Harness (Molded Plug - JEZ models) - See Note 1	45-100834-07	45-100834-07			
12	Stk	Capacitor - Compressor/Fan	43-101665-41	43-101665-48			
13	Stk	Start Relay (JEZ models)	42-100491-09	42-100491-09			
14	Stk	Start Capacitor (JEZ models)	43-17075-04	43-17075-04			

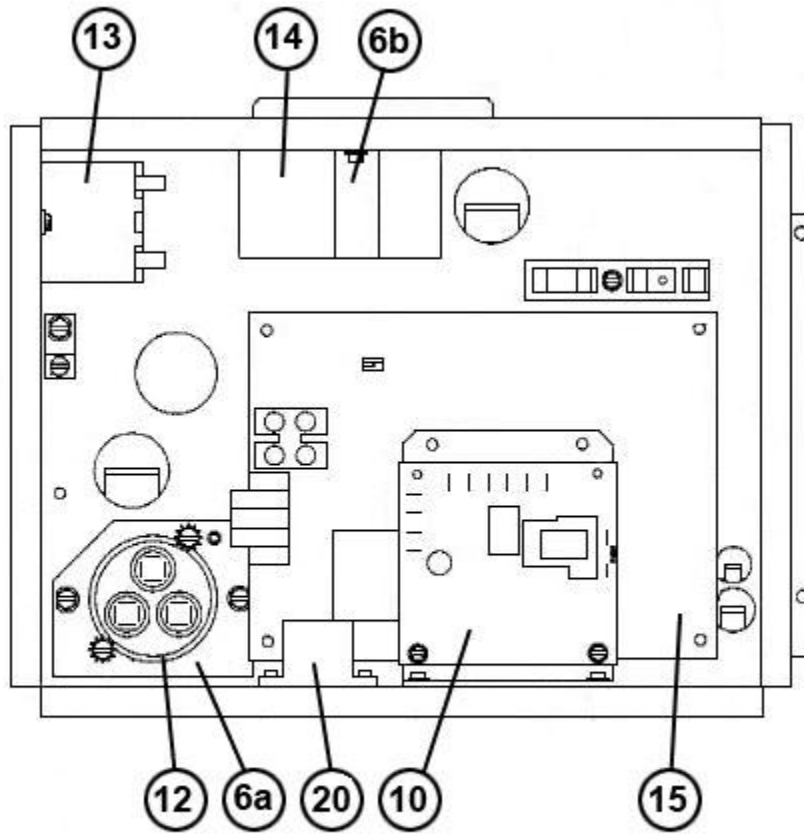
No.	Notes	MODEL VARIATIONS	RPQL AII				
ACCESSORIES							
		Low Ambient Control (JAZ, JEZ)	RXAD-A08				
		Outdoor Thermostat (One Thermostat w/box) (JAZ)	RXPT-A01				
		Outdoor Thermostat (One Thermostat w/o box) (JAZ)	RXPT-A02				
		Outdoor Thermostat (One w/Heat Relay and box) (JAZ)	RXPT-A03				
		Outdoor Thermostat (Two Thermostats w/Heat and box) (JAZ)	RXPT-A04				
		Blower Time Delay Control (JAZ)	RXMD-C04				
		Heat Pump Monitor (JAZ)	RXPM-B01				
		Blower Time Delay Control (JAZ, JEZ)	RXMD-C04				
		Heat Pump Warning Light Kit	RXPX-D01				



Exploded View



Control Box Assembly (JAZ)



Control Box Assembly (JEZ)

NOTES

Stk It is recommended that stock be maintained for this part.

N/A Not Applicable

- 1 Wiring Harnesses not listed individually are included with the JEZ model Control Box (item 6).
- 2 The reversing valve specified for 036, 037, 042, 043 and 048 models may be different than the one originally supplied with the equipment. The use of the specified valve is recommended for improved shifting performance.
- 3 Replacement Defrost Boards for units produced before date code 2310 include Ambient and Defrost Sensors with the Replacement Defrost Board Kit. For JEZ units produced after date code 2310 the defrost function is integral with the main control board, and Ambient and Defrost Sensors should be ordered separately. Note: Date Codes are approximate.
- 4 From date code 1112 to 1712, units were built with PSC motors. It is advisable to verify fan motor type and order accordingly. Note: Date Codes are approximate.

DISCLAIMER: This document is intended to provide general replacement parts information to aid qualified service personnel in the repair of these models. The complete Model and Serial Number of the unit under repair should be specified when selecting and ordering replacement parts. Specifications and illustrations are subject to change without notice. Document 92-42800-RPQL supersedes all previous parts lists for these models. See <http://www.rheempartslists.net/92-42800-RPQL> for the latest revision of this document. The manufacturer assumes no obligation for errors or omissions. Service personnel must verify the proper and safe operation of equipment after the replacement of any original components.