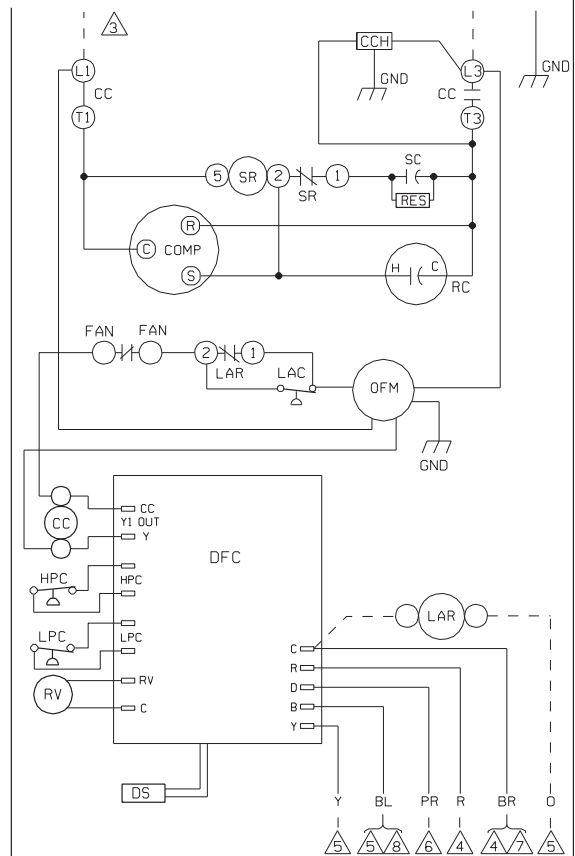


WIRING DIAGRAM



WIRING SCHEMATIC

COMPONENT CODE

CC	COMPRESSOR CONTACTOR
CCH	CRANKCASE HEATER
COMP	COMPRESSOR
DS	DEFROST COIL SENSOR
GND	GROUND, CHASSIS
HPC	HIGH PRES. CUT-OUT CONTROL
LAC	LOW AMBIENT CONTROL
LAR	LOW AMBIENT RELAY
LPC	LOW PRESSURE CUT OUT CONTROL
OFM	OUTDOOR FAN MOTOR
OPT	OPTIONAL
RC	RUN CAPACITOR
RV	REVERSING VALVE
SC	START CAPACITOR
SR	START RELAY
DFC	DEFROST CONTROL

NOTES:

- CONNECTORS SUITABLE FOR USE WITH COPPER CONDUCTORS ONLY.
- COMPRESSOR MOTOR THERMALLY PROTECTED AND ALL 3 PHASE ARE PROTECTED UNDER PRIMARY SINGLE PHASE CONDITIONS.
- CONNECT FIELD WIRING IN GROUNDED RAINTIGHT CONDUIT TO 60 HERTZ FUSE DISCONNECT, VOLTAGE AND PHASE PER RATING PLATE.
- LOW VOLTAGE CIRCUIT TO BE N.E.C. CLASS 2 WITH A CLASS 2 TRANSFORMER 24 VOLT, 60 HERTZ.
- TO THERMOSTAT SUB-BASE, REFER TO SYSTEM SCHEMATICS OR SCHEMATICS ON INDOOR SECTION FOR LOW VOLTAGE CONTROL WIRING.
- THIS WIRE IS USED TO TURN ON STRIP HEAT DURING DEFROST. OMIT CONNECTION FOR MOST ECONOMICAL OPERATION.
- TO HEAT PUMP MONITOR 2.5 VA. MAX. WHEN USED.
- THIS COMPONENT IS ENERGIZED IN HEATING MODE.
- IF LAC/LAR IS NOT USED, CONNECT BLACK WIRE FROM OFM TO DFC FAN MOTOR.
- BLACK WIRE FROM SR (5) TO CC (T1) DELETED WHEN PTCR IS USED.

WIRING INFORMATION

- LINE VOLTAGE
 -FACTORY STANDARD —————
 -FACTORY OPTION - - - - -
 -FIELD INSTALLED - - - - -
- LOW VOLTAGE
 -FACTORY STANDARD —————
 -FACTORY OPTION - - - - -
 -FIELD INSTALLED - - - - -
- REPLACEMENT WIRE
 -MUST BE THE SAME SIZE AND TYPE OF INSULATION AS ORIGINAL (Ø5 C MIN.)
 WARNING
 -CABINET MUST BE PERMANENTLY GROUNDED AND CONFORM TO I.E.C., N.E.C., C.E.C. AND LOCAL CODES AS APPLICABLE.

WIRE COLOR CODE

BK	BLACK	O	ORANGE
BR	BROWN	PR	PURPLE
BL	BLUE	R	RED
G	GREEN	W	WHITE
GY	GRAY	Y	YELLOW

ELECTRICAL WIRING DIAGRAM
 REMOTE HEAT PUMP
 SINGLE PHASE WITH ECM
 DEMAND DEFROST CONTROL

DR. BY	APP. BY	DATE	DWG. NO.	REV
MCB		8-25-05	90-101229-20	00

DWG. NO. 90-101229-20
 REV 00