



# RPNE

Parts List  
19-July-2011



*This parts list is current as of the above revision date.  
See <http://www.rheempartslists.net/92-42800-RPNE.pdf> for the current revision.*

Heat Pumps

# Table of Contents

Model Explanation .....	Page 3
Parts Numbers	
Panels - Miscellaneous .....	Page 4
Electrical Group .....	Page 5
Fan Group .....	Page 6
Coil Parts .....	Page 7
Compressor Group .....	Page 8
Accessories .....	Page 8
Drawings/Photographs	
Exploded View .....	Page 9
Control Box Assembly (J Voltage) .....	Page 10
Control Box Assembly (C D Y Voltages) .....	Page 11
Notes/Disclaimer .....	Page 12

**MODEL NUMBER EXPLANATION**

<b>R</b>	<b>P</b>	<b>N</b>	<b>E</b>	<b>-</b>	<b>0</b>	<b>2</b>	<b>4</b>	<b>J</b>	<b>A</b>	<b>Z</b>
<b>(1)</b>	<b>(2)</b>	<b>(3)</b>	<b>(4)</b>		<b>(5)</b>			<b>(6)</b>	<b>(7)</b>	<b>(8)</b>

- |  |  |
|--|--|
| <p><b>(1) TRADEBRAND IDENTIFICATION</b></p> <p><b>(2) MODEL</b><br/>P= HEAT PUMP</p> <p><b>(3) TYPE</b><br/>N= HIGH EFFIECIENCY</p> <p><b>(4) DESIGN SERIES / VARIATION</b><br/>E= DESIGN SERIES</p> <p><b>(5) COOLING CAPACITY</b><br/>018= 18,000 BTU/HR<br/>024= 24,000 BTU/HR<br/>030= 30,000 BTU/HR<br/>036= 36,000 BTU/HR<br/>042= 42,000 BTU/HR<br/>048= 48,000 BTU/HR<br/>060= 60,000 BTU/HR</p> | <p><b>(6) ELECTRICAL DESIGNATION</b><br/>J= 208-230/1/60<br/>C= 208-230/3/60<br/>D= 460/3/60<br/>Y= 575/3/60</p> <p><b>(7) VARIATIONS</b><br/>A= STANDARD MODEL<br/>B= COMPETITIVE MODEL</p> <p><b>(8) COMPRESSOR</b><br/>Z= SWEAT W/ SCROLL</p> |
|--|--|

**SERIAL NUMBER EXPLANATION**

<b>7</b>	<b>0</b>	<b>6</b>	<b>0</b>	<b>M</b>	<b>2</b>	<b>7</b>	<b>0</b>	<b>4</b>	<b>9</b>	<b>9</b>	<b>9</b>	<b>9</b>	<b>9</b>
<b>(1)</b>				<b>(2)</b>	<b>(3)</b>		<b>(4)</b>		<b>(5)</b>				

- (1) COMPRESSOR IDENTIFICATION NUMBER**
- (2) PRODUCTION LOCATION**  
F = FT. SMITH, AR  
M = MILLEDGEVILLE, GA
- (3) WEEK OF PRODUCTION**
- (4) YEAR OF PRODUCTION**
- (5) PRODUCTION NUMBER**

No.	Notes	MODEL COOLING CAPACITY	RPNE -018	RPNE -024	RPNE -030	RPNE -036
<b>SHEET METAL PARTS, MISCELLANEOUS</b>						
1		Base Pan	AE-58426-02	AE-58426-03	AE-58426-03	AE-58426-03
2		Button Plug	45-22980-07	45-22980-07	45-22980-07	45-22980-07
3		Cabinet	AE-100609-03	AE-100609-04	AE-100609-08	AE-100609-07
4		Top Panel - Before F1506 or M2606	AE-100618-02	AE-100618-04	AE-100618-04	AE-100618-05
4		Top Panel - After F1506 or M2606	AE-100618-02	AE-100618-05	AE-100618-05	AE-100618-05
5		Grille - Before F1506 or M2606	95-100906-02	95-101742-03	95-101742-03	95-100906-04
5		Grille - After F1506 or M2606	95-100906-02	95-100906-04	95-100906-04	95-100906-04
6		Control Box	AE-100633-01	AE-100633-01	AE-100633-01	AE-100633-01
6a		Capacitor Adapter Plate (2 in. round capacitor)	AE-54609-01	AE-54609-01	AE-54609-01	AE-54609-01
6a		Capacitor Adapter Plate (2 in. X 1-1/4 in. oval capacitor)	AE-54609-02	AE-54609-02	AE-54609-02	AE-54609-02
6b		Capacitor Strap - Start Capacitor	AE-50892-51	AE-50892-51	AE-50892-51	AE-50892-51
7		Access Panel	AE-100617-03	AE-100617-04	AE-100617-08	AE-100617-07
8		Service Valve - Suction	61-21368-15	61-21368-15	61-21368-15	61-21368-21
9		Service Valve - Liquid	61-21368-13	61-21368-13	61-21368-13	61-21368-13
		Touch-up Paint (Aerosol)	52-18662-48	52-18662-48	52-18662-48	52-18662-48
		Touch-up Paint (Paint Pens)	523010	523010	523010	523010

No.	Notes	MODEL COOLING CAPACITY	RPNE -042	RPNE -048	RPNE -060	
<b>SHEET METAL PARTS, MISCELLANEOUS</b>						
1		Base Pan	AE-58426-03	AE-58426-03	AE-58426-03	
2		Button Plug	45-22980-07	45-22980-07	45-22980-07	
3		Cabinet	AE-100609-07	AE-100609-07	AE-100609-07	
4		Top Panel	AE-100618-05	AE-100618-05	AE-100618-05	
5		Grille	95-100906-04	95-100906-04	95-100906-04	
6		Control Box	AE-100633-01	AE-100633-01	AE-100633-01	
6a		Capacitor Adapter Plate (2 in. round capacitor)	AE-54609-01	AE-54609-01	AE-54609-01	
6a		Capacitor Adapter Plate (2 in. X 1-1/4 in. oval capacitor)	AE-54609-02	AE-54609-02	AE-54609-02	
6b		Capacitor Strap - Start Capacitor	AE-50892-51	AE-50892-51	AE-50892-51	
7		Access Panel	AE-100617-07	AE-100617-07	AE-100617-07	
8		Service Valve - Suction	61-21368-16	61-21368-16	61-21368-16	
9		Service Valve - Liquid	61-21368-13	61-21368-13	61-21368-13	
		Touch-up Paint (Aerosol)	52-18662-48	52-18662-48	52-18662-48	
		Touch-up Paint (Paint Pens)	523010	523010	523010	

No.	Notes	MODEL COOLING CAPACITY ELECTRICAL DESIGNATION	RPNE -018 J	RPNE -024 J	RPNE -030 J	RPNE -036 J
<b>ELECTRICAL GROUP</b>						
CONTROL BOX COMPONENTS:						
10	Stk	Defrost Control Board - (JAZ models)	47-21517-22	47-21517-22	47-21517-22	47-21517-22
10	Stk	Defrost Control Board - (JBZ models)	47-21517-16	47-21517-16	47-21517-16	47-21517-16
11	Stk	Contactactor	42-42139-05	42-42139-05	42-42139-05	42-42139-05
12		Capacitor - Compressor/Fan	See Compressor Group			
13		Start Relay	See Compressor Group			
14		Capacitor - Compressor Start	See Compressor Group			

No.	Notes	MODEL COOLING CAPACITY VARIATION	RPNE -042 J	RPNE -048 J	RPNE -060 J	
<b>ELECTRICAL GROUP</b>						
CONTROL BOX COMPONENTS:						
10	Stk	Defrost Control Board - (JAZ models)	47-21517-22	47-21517-22	47-21517-22	
10	Stk	Defrost Control Board - (JBZ models)	47-21517-16	47-21517-16	47-21517-16	
11	Stk	Contactactor	42-42139-05	42-42478-02	42-42478-02	
12		Capacitor - Compressor/Fan	See Compressor Group			
13		Start Relay	See Compressor Group			
14		Capacitor - Compressor Start	See Compressor Group			

No.	Notes	MODEL COOLING CAPACITY ELECTRICAL DESIGNATION	RPNE -036 C	RPNE -042 C	RPNE -048 C	RPNE -060 C
<b>ELECTRICAL GROUP</b>						
CONTROL BOX COMPONENTS:						
10	Stk	Defrost Control Board	47-21517-22	47-21517-22	47-21517-22	47-21517-22
11	Stk	Contactactor	42-22464-03	42-22464-03	42-22464-03	42-22464-03
12		Capacitor - Fan Motor	See Fan Group			

No.	Notes	MODEL COOLING CAPACITY ELECTRICAL DESIGNATION	RPNE -036 D	RPNE -042 D	RPNE -048 D	RPNE -060 D
<b>ELECTRICAL GROUP</b>						
CONTROL BOX COMPONENTS:						
10	Stk	Defrost Control Board	47-21517-22	47-21517-22	47-21517-22	47-21517-22
11	Stk	Contactactor	42-22464-03	42-22464-03	42-22464-03	42-22464-03
12	Stk	Capacitor - Fan Motor	See Fan Group			
20	Stk	Defrost Relay	42-23114-02	42-23114-02	42-23114-02	42-23114-02

No.	Notes	MODEL COOLING CAPACITY ELECTRICAL DESIGNATION	RPNE -048 Y	RPNE -060 Y		
<b>ELECTRICAL GROUP</b>						
CONTROL BOX COMPONENTS:						
10	Stk	Defrost Control Board	47-21517-22	47-21517-22		
11	Stk	Contactactor	42-22464-03	42-22464-03		
12	Stk	Capacitor - Fan Motor	See Fan Group			
20	Stk	Defrost Relay	42-23114-02	42-23114-02		

No.	Notes	MODEL COOLING CAPACITY ELECTRICAL DESIGNATION		RPNE -018 J	RPNE -024 J	RPNE -030 J
<b>FAN GROUP</b>						
18	Stk	Fan Motor		51-101774-04	51-101774-02	51-101774-02
12		Capacitor - Fan Motor		See Compressor Group		
19	Stk	Fan Blade - Before F1506 or M2606		70-100580-06	70-100580-07	70-100580-07
19	Stk	Fan Blade - After F1506 or M2606		70-100580-06	70-102011-09	70-102011-09

No.	Notes	MODEL COOLING CAPACITY ELECTRICAL DESIGNATION		RPNE -036 J	RPNE -042 J	RPNE -048 J	RPNE -060 J
<b>FAN GROUP</b>							
18	Stk	Fan Motor		51-101774-02	51-102008-03	51-102008-03	51-102008-03
12		Capacitor - Fan Motor		See Compressor Group			
19	Stk,2	Fan Blade - See Note 2		70-100580-03	70-100580-04	70-100580-04	70-100580-04
19	2	Fan Blade - See Note 2		70-102011-03	70-102011-04	70-102011-04	70-102011-04

No.	Notes	MODEL COOLING CAPACITY ELECTRICAL DESIGNATION		RPNE -036 C	RPNE -042 C	RPNE -048 C	RPNE -060 C
<b>FAN GROUP</b>							
18	Stk	Fan Motor		51-101774-02	51-101774-03	51-102008-03	51-102008-03
12	Stk	Capacitor - Fan Motor		43-100496-04	43-100496-12	43-100496-12	43-100496-12
19	Stk,2	Fan Blade - See Note 2		70-100580-03	70-100580-04	70-100580-04	70-100580-04
19	2	Fan Blade - See Note 2		70-102011-03	70-102011-04	70-102011-04	70-102011-04

No.	Notes	MODEL COOLING CAPACITY ELECTRICAL DESIGNATION		RPNE -036 D	RPNE -042 D	RPNE -048 D	RPNE -060 D
<b>FAN GROUP</b>							
18	Stk	Fan Motor		51-101774-06	51-101774-05	51-101774-05	51-101774-05
12	Stk	Capacitor - Fan Motor		43-100496-04	43-100496-04	43-100496-04	43-100496-04
19	Stk,2	Fan Blade - See Note 2		70-100580-03	70-100580-04	70-100580-04	70-100580-04
19	2	Fan Blade - See Note 2		70-102011-03	70-102011-04	70-102011-04	70-102011-04

No.	Notes	MODEL COOLING CAPACITY ELECTRICAL DESIGNATION		RPNE -048 Y	RPNE -060 Y		
<b>FAN GROUP</b>							
18	Stk	Fan Motor		51-101774-10	51-101774-10		
12	Stk	Capacitor - Fan Motor		43-100496-04	43-100496-04		
19	Stk,2	Fan Blade - See Note 2		70-100580-04	70-100580-04		
19	2	Fan Blade - See Note 2		70-102011-04	70-102011-04		

No.	Notes	MODEL COOLING CAPACITY	RPNE -018	RPNE -024	RPNE -030	RPNE -036
<b>COIL GROUP</b>						
8		Service Valve - Suction	See Panels - Miscellaneous			
9		Service Valve - Liquid	See Panels - Miscellaneous			
17	Stk	Condenser Coil	AS-102094-03	AS-101863-03	AS-102019-03	AS-101974-03
		Distributor - 2 way (5/8 in. to 3/8 in.) - w/o Header Tubes	83-17467-03	N/A	N/A	N/A
		Distributor w/Strainer	83-102186-01	83-102186-01	83-102186-02	83-102186-02
	Stk	Filter Drier	83-41719-02	83-41719-02	83-41719-02	83-41719-02
	Stk	High Pressure Control	47-101528-01	47-101528-01	47-101528-01	47-101528-01
	Stk	Low Pressure Control	47-100543-04	47-100543-04	47-100543-04	47-100543-04
	Stk	Muffler	83-20438-04	83-20438-04	83-20438-04	83-20438-04
	Stk	Reversing Valve	61-102331-04	61-102331-04	61-101684-02	61-101684-02
		Solenoid Coil - Reversing Valve (Before M2808)	61-101713-01	61-101713-01	61-101713-01	61-101713-01
	Stk	Solenoid Coil - Reversing Valve (After M2808)	61-101713-92	61-101713-92	61-101713-92	61-101713-92
		Wiring Harness - Reversing Valve	61-26149-04	61-26149-04	61-26149-03	61-26149-01
		Charge Compensator	N/A	N/A	N/A	83-25022-01
	Stk,1	TXV - Emerson (See Note 1)	61-26019-25	61-26019-25	61-26019-26	61-26019-26
	Stk,1	TXV - Sporlan (See Note 1)	61-26018-24	61-26018-25	61-26018-26	61-26018-26
		Bulb Strainer	83-26020-04	83-26020-04	83-26020-04	83-26020-04
		Bulb Strainer	83-26020-07	83-26020-07	83-26020-07	83-26020-07

No.	Notes	MODEL COOLING CAPACITY	RPNE -042	RPNE -048		
<b>COIL GROUP</b>						
8		Service Valve - Suction	See Panels - Miscellaneous			
9		Service Valve - Liquid	See Panels - Miscellaneous			
17	Stk	Condenser Coil	AS-102137-03	AS-102137-03		
		Distributor w/Strainer	83-102186-02	83-102186-02		
	Stk	Filter Drier	83-41719-02	83-41719-02		
	Stk	High Pressure Control	47-101528-01	47-101528-01		
	Stk	Low Pressure Control	47-100543-04	47-100543-04		
	Stk	Muffler	83-20438-04	83-20438-04		
	Stk	Reversing Valve	61-101684-03	61-101684-03		
		Solenoid Coil - Reversing Valve (Before M2808)	61-101713-01	61-101713-01		
	Stk	Solenoid Coil - Reversing Valve (After M2808)	61-101713-92	61-101713-92		
		Wiring Harness - Reversing Valve	61-26149-03	61-26149-03		
	Stk,1	TXV - Emerson (See Note 1)	61-26019-27	61-26019-24		
	Stk,1	TXV - Sporlan (See Note 1)	61-26018-27	61-26018-27		
		Bulb Strainer	83-26020-04	83-26020-04		
		Bulb Strainer	83-26020-07	83-26020-07		

No.	Notes	MODEL COOLING CAPACITY	RPNE -060			
<b>COIL GROUP</b>						
8		Service Valve - Suction	See Panels - Miscellaneous			
9		Service Valve - Liquid	See Panels - Miscellaneous			
17	Stk	Condenser Coil	AS-102085-01			
		Distributor w/Strainer	83-102186-03			
	Stk	Filter Drier	83-41719-02			
	Stk	High Pressure Control	47-101528-01			
	Stk	Low Pressure Control	47-100543-04			
	Stk	Muffler	83-20438-04			
	Stk	Reversing Valve	61-101684-03			
		Solenoid Coil - Reversing Valve (Before M2808)	61-101713-01			
	Stk	Solenoid Coil - Reversing Valve (After M2808)	61-101713-92			
		Wiring Harness - Reversing Valve	61-26149-03			
	Stk	TXV/Distributor Assembly - Before date code 0506	61-102068-07			
	Stk,1	TXV - Emerson - After date code 0506 (See Note 1)	61-26019-10			
	Stk,1	TXV - Sporlan - After date code 0506 (See Note 1)	61-26018-28			
		Bulb Strainer	83-26020-04			
		Bulb Strainer	83-26020-07			

No.	Notes	MODEL COOLING CAPACITY ELECTRICAL DESIGNATION	RPNE -018 J	RPNE -024 J	RPNE -030 J	RPNE -036 J
<b>COMPRESSOR GROUP</b>						
		<b>Compressor ID:</b>	<b>7343</b>	<b>7344</b>	<b>7345</b>	<b>7348</b>
25	Stk	Compressor	55-100835-45S	55-100835-13S	55-100835-02S	55-100835-03S
	Stk	Compressor Wiring Harness (Molded Plug)	45-100834-80	45-100834-80	45-100834-80	45-100834-80
12	Stk	Capacitor - Compressor/Fan	43-26261-40	43-101665-44	43-26271-41	43-26261-15
13	Stk	Start Relay	42-18282-09	42-18282-09	42-18282-09	42-18282-09
14	Stk	Start Capacitor	43-17075-04	43-17075-04	43-17075-04	43-17075-04
		Crankcase Heater	N/A	N/A	N/A	N/A

No.	Notes	MODEL COOLING CAPACITY ELECTRICAL DESIGNATION	RPNE -042 J	RPNE -048 J	RPNE -060 J	
<b>COMPRESSOR GROUP</b>						
		<b>Compressor ID:</b>	<b>7351</b>	<b>7354</b>	<b>7358</b>	
25	Stk	Compressor	55-100835-04S	55-100835-05S	55-100835-06S	
	Stk	Compressor Wiring Harness (Molded Plug)	45-100834-80	45-100834-80	45-100834-80	
12	Stk	Capacitor - Compressor/Fan	43-101665-38	43-26271-45	43-26271-30	
13	Stk	Start Relay	42-18282-09	42-18282-09	42-18282-09	
14	Stk	Start Capacitor	43-17075-04	43-17075-04	43-17075-04	
	Stk	Crankcase Heater	N/A	N/A	44-101884-02	

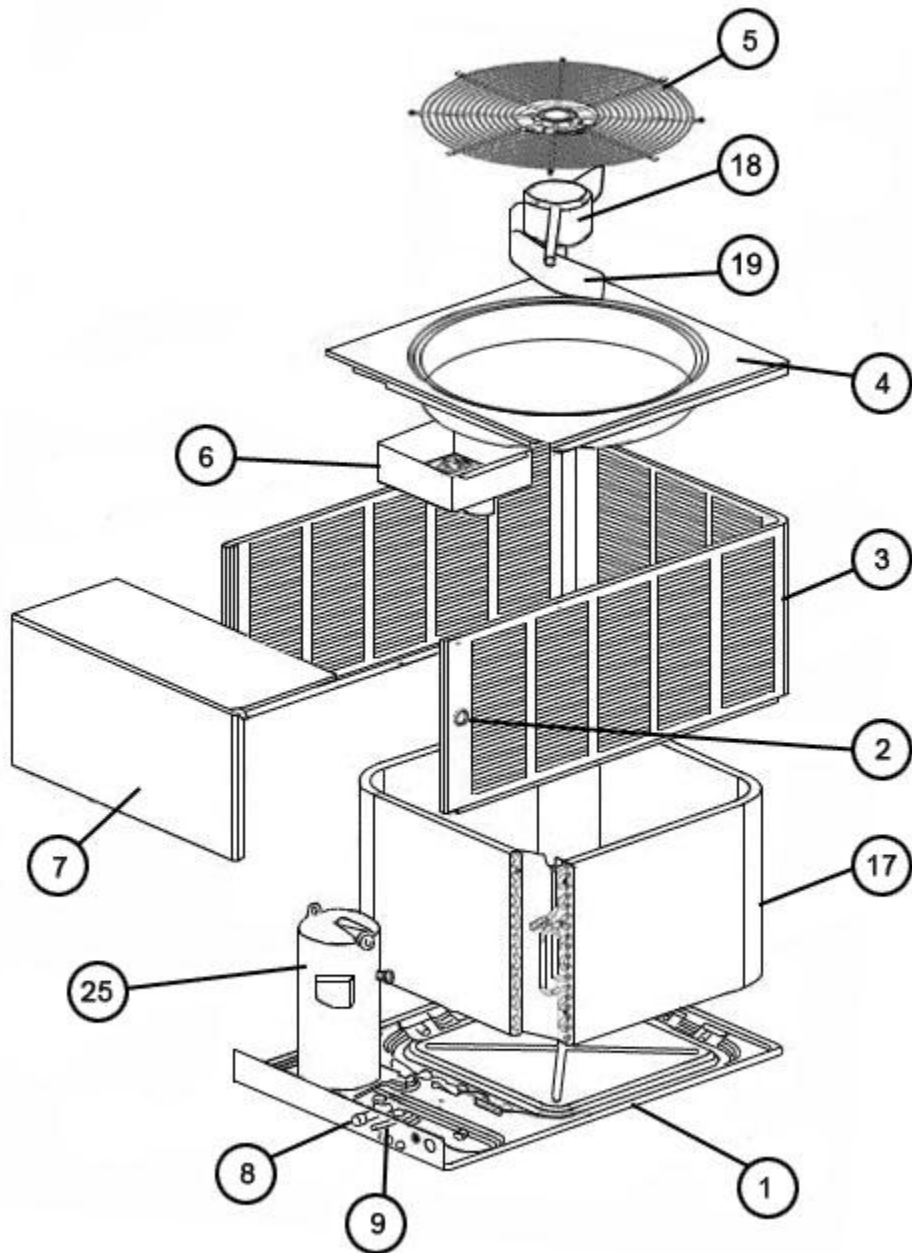
No.	Notes	MODEL COOLING CAPACITY ELECTRICAL DESIGNATION	RPNE -036 C	RPNE -042 C	RPNE -048 C	RPNE -060 C
<b>COMPRESSOR GROUP</b>						
		<b>Compressor ID:</b>	<b>7428</b>	<b>7430</b>	<b>7432</b>	<b>7434</b>
25	Stk	Compressor	55-100835-31S	55-100835-22S	55-100835-51S	55-100835-19S
	Stk	Compressor Wiring Harness (Molded Plug)	45-100834-80	45-100834-80	45-100834-80	45-100834-80
	Stk	Crankcase Heater	44-101884-05	44-101884-05	44-101884-05	44-101884-05

No.	Notes	MODEL COOLING CAPACITY ELECTRICAL DESIGNATION	RPNE -036 D	RPNE -042 D	RPNE -048 D	RPNE -060 D
<b>COMPRESSOR GROUP</b>						
		<b>Compressor ID:</b>	<b>7429</b>	<b>7431</b>	<b>7433</b>	<b>7435</b>
25	Stk	Compressor	55-100835-49S	55-100835-50S	55-100835-52S	55-100835-46S
	Stk	Compressor Wiring Harness (Molded Plug)	45-100834-80	45-100834-80	45-100834-80	45-100834-80
	Stk	Crankcase Heater	44-101884-06	44-101884-06	44-101884-06	44-101884-06

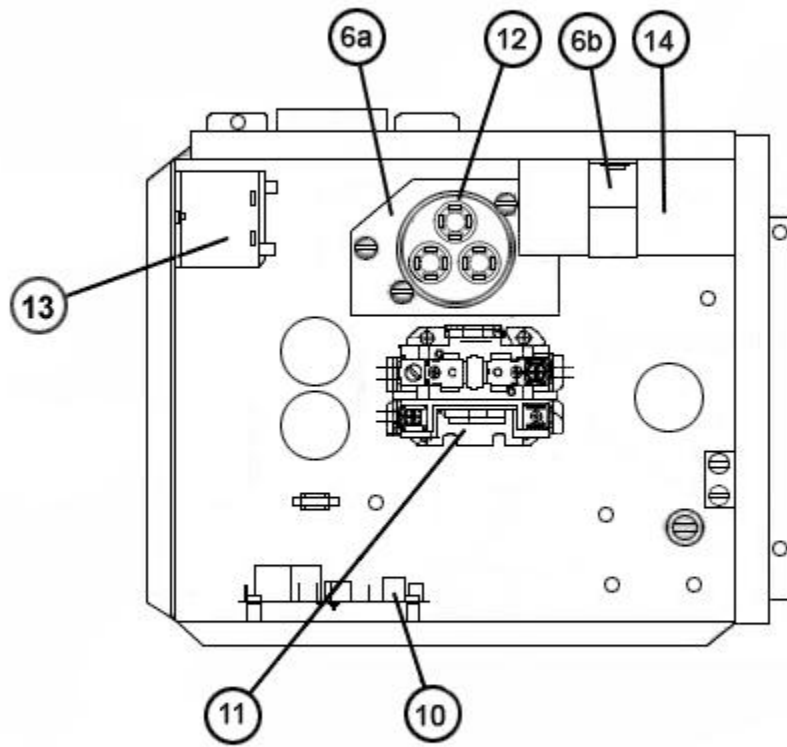
No.	Notes	MODEL COOLING CAPACITY ELECTRICAL DESIGNATION	RPNE -048 Y	RPNE -060 Y		
<b>COMPRESSOR GROUP</b>						
		<b>Compressor ID:</b>	<b>7355</b>	<b>7359</b>		
25	Stk	Compressor	55-100835-57S	55-100835-55S		
	Stk	Compressor Wiring Harness (Molded Plug)	45-100834-80	45-100834-80		
	Stk	Crankcase Heater	44-101884-07	44-101884-07		

No.	Notes	MODEL VARIATIONS	RPNE ALL			
<b>ACCESSORIES</b>						
		Low Ambient Control	RXPZ-C01			
		Outdoor Thermostat (One Thermostat w/box)	RXPT-A01			
		Outdoor Thermostat (One Thermostat w/o box)	RXPT-A02			
		Outdoor Thermostat (One w/Heat Relay and box)	RXPT-A03			
		Outdoor Thermostat (Two Thermostats w/Heat and box)	RXPT-A04			
		Heat Pump Monitor	RXPM-B01			
		Compressor Time Delay Control	RXMD-B01			
		Enhanced Compressor Protection Kit	RXPG-A01			
		Blower Time Delay Control	RXMD-C04			

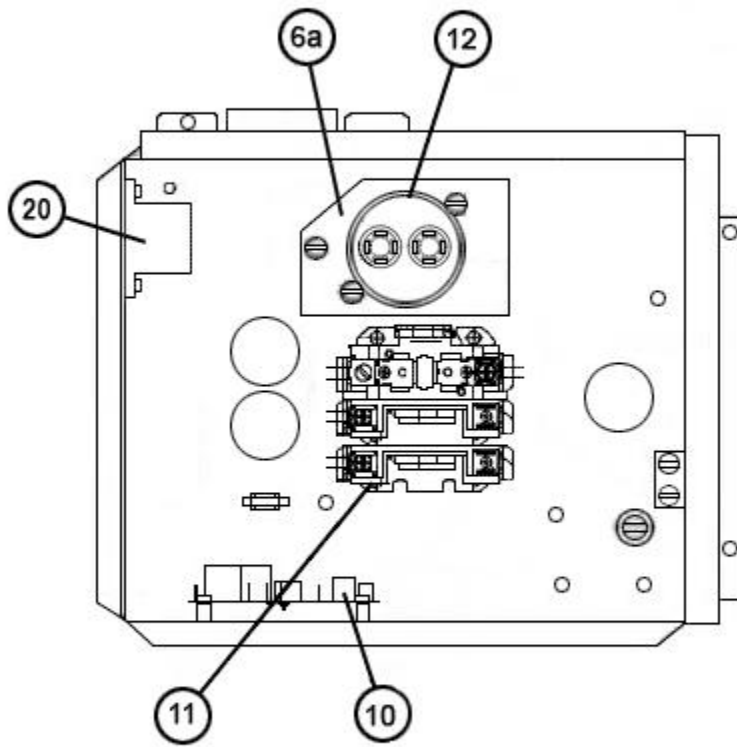




Exploded View



Control Box Assembly (J Voltage)



Control Box Assembly (C D Y Voltages)

# NOTES

Stk It is recommended that stock be maintained for this part.

N/A Not Applicable

- 1 The Sporlan and Emerson valves specified for this unit may be interchanged in service. The valves are interchangeable for this specific model only.
- 2 70-100580-03 / 70-100580-04 is a 3-blade design, and 70-102011-03 / 70-102011-04 is a 2-blade design. The replacement fan blades are interchangeable on the listed units, and either may be used for replacement.

**DISCLAIMER:** This document is intended to provide general replacement parts information to aid qualified service personnel in the repair of these models. The complete Model and Serial Number of the unit under repair should be specified when selecting and ordering replacement parts. Specifications and illustrations are subject to change without notice. Document 92-42800-RPNE supersedes all previous parts lists for these models. See <http://www.rheempartslists.net/92-42800-RPNE> for the latest revision of this document. The manufacturer assumes no obligation for errors or omissions. Service personnel must verify the proper and safe operation of equipment after the replacement of any original components.