



The new degree of comfort.®

Endeavor™ Line *Classic Plus*® Series iM Heat Pumps



This product meets a stringent set of our internally defined sustainability standards



RP16AZ

Cooling Efficiencies up to: 17.0 SEER2/10.4 EER2

Heating Efficiency: 8.1 HSPF2

Nominal Sizes: 2 to 5 Ton [7.0 to 17.6 kW]

Cooling Capacities 22.8 to 55.0 kBTU [6.7 to 16.1 kW]



† A.F.U.E. (Annual Fuel Utilization Efficiency) calculated in accordance with Department of Energy test procedures.

The Bluetooth® word mark and logos are registered trademarks owned by Bluetooth SIG, Inc. and any use of such marks by Rheem® is under license. Other trademarks and trade names are those of their respective owners.

Table of Contents

| | |
|---|------|
| Features & Benefits | 3 |
| Model Number Identification | 4 |
| General Data/Electrical Data | 5 |
| Accessories | 6 |
| Unit Dimensions | 7 |
| Clearances | 8 |
| Refrigerant Line Size Information | 9-10 |
| Performance Data | 11 |
| Limited Warranty | 12 |

Features and Benefits

- **EcoNet® Enabled:** Automatic system configuration and optimization
- **PlusOne® Diagnostics & Bluetooth®¹ Connectivity:** With the Rheem Contractor & EcoNet® Apps, built-in technology makes advanced set-up, monitoring, troubleshooting, and repairing the product easier than ever before
- **PlusOne® Variable Speed Twin Rotary Compressor & Inverter Drive:**
 - Features variable speed operation from 40 to 70% capacity, or 100% capacity via line voltage, with the EcoNet® Smart Thermostat
 - 3-speed operation when installed with a 24V two-stage thermostat
 - Provides precise temperature control, advanced humidity control and greater efficiency
- **Brushless DC Condenser Motors (BLDC):** Enhances reliability and allows for easier serviceability
- **Swept Wing Fan Technology:** Features quieter operation and improved unit acoustics
- **7 mm Condenser Copper Coil²:** Requires less refrigerant allowing for a smaller and lighter footprint while enhancing reliability
- **Inverted Reversing Valve:** Allows for faster heat transfer with gravity assist shifting and reduced joint stress for increased reliability
- **PlusOne® Expanded Value Space:** 3 in. – 4 in. – 5 in. service valve space – provides a minimum working area of 27-square inches for easier access
- **PlusOne® Triple Service Access:** 15 in. wide, industry leading corner service access, two fastener, removeable corner and individual louver panels – makes repairs easier and faster

¹The Bluetooth® word mark and logos are registered trademarks owned by Bluetooth SIG, Inc. and any use of such marks by Rheem® is under license. Other trademarks and trade names are those of their respective owners.

²Does not apply to the 5 ton model.

Heat Pumps

| <u>R</u> | <u>P</u> | <u>16</u> | <u>A</u> | <u>Z</u> | <u>24</u> | <u>A</u> | <u>J</u> | <u>3</u> | <u>C</u> | <u>A</u> |
|-----------|------------------|---------------|-----------------|-------------|---|----------------|------------------|--------------|-------------------|----------------|
| Brand | Product Category | SEER2 | Region | Refrigerant | Capacity | Major Series | Voltage | Type | Controls | Minor Series |
| R - Rheem | P - Heat Pump | 16 - 16 SEER2 | A - All Regions | Z - R-410A | 24 - 24,000 [7.03 kW] 36 - 36,000 [10.55 kW] 48 - 48,000 [14.07 kW] 60 - 60,000 [17.58 kW] | A - 1st Design | J - 208/230/1/60 | 3 - 3+ Stage | C - Communicating | A - 1st Series |

[] Designates Metric Conversions

| AVAILABLE MODELS | DESCRIPTION |
|------------------|--|
| RP16AZ24AJ3CA | Endeavor™ Line <i>Classic Plus</i> ® 2 ton 16 SEER2 Variable Speed iM Heat Pump-208/230/1/60 |
| RP16AZ36AJ3CA | Endeavor™ Line <i>Classic Plus</i> ® 3 ton 16 SEER2 Variable Speed iM Heat Pump-208/230/1/60 |
| RP16AZ48AJ3CA | Endeavor™ Line <i>Classic Plus</i> ® 4 ton 16 SEER2 Variable Speed iM Heat Pump-208/230/1/60 |
| RP16AZ60AJ3CA | Endeavor™ Line <i>Classic Plus</i> ® 5 ton 16 SEER2 Variable Speed iM Heat Pump-208/230/1/60 |

| STANDARD EQUIPMENT |
|-------------------------------------|
| R-410A Refrigerant |
| Twin Rotary Compressor |
| Compressor Sound Blanket |
| Field Installed Filter Drier |
| Front Seating Service Valves |
| Internal Thermal Overload |
| Long Line capability |
| Low Ambient capability |
| 3-4-5 Expanded Valve Space |
| Composite Basepan |
| 15" Access to Internal Components |
| Quick release louver panel design |
| No fasteners to remove along bottom |
| Optimized Venturi Airflow |
| Single row condenser coil |
| Powder coated paint |
| Rust resistant screws |
| QR code |
| External gauge ports |
| Service trays |

| General Data | | | | |
|--|--------------------|--------------------|--------------------|--------------------|
| MODEL NO. | RP16AZ24AJ3 | RP16AZ36AJ3 | RP16AZ48AJ3 | RP16AZ60AJ3 |
| Nominal Tonnage | 2 | 3 | 4 | 5 |
| Valve Connections | | | | |
| Liquid Line O.D. – in. | 3/8 | 3/8 | 3/8 | 3/8 |
| Suction Line O.D. – in. | 3/4 | 3/4 | 7/8 | 7/8 |
| Refrigerant (R410A) furnished oz.¹ | 118 | 135 | 164 | 256 |
| Compressor Type | Twin Rotary | | | |
| Outdoor Coil | | | | |
| Net face area – Outer Coil | 14.4 | 19.8 | 19.8 | 24.2 |
| Net face area – Inner Coil | — | — | — | — |
| Tube diameter – in. | 0.276 | 0.276 | 0.276 | 0.276 |
| Number of rows | 1 | 1 | 1 | 1 |
| Fins per inch | 22 | 24 | 22 | 20 |
| Outdoor Fan | | | | |
| Diameter – in. | 20 | 24 | 24 | 26 |
| Number of blades | 3 | 3 | 3 | 3 |
| Motor hp | 1/5 | 1/5 | 1/3 | 1/2 |
| CFM | 2754 | 4560 | 4567 | 5477 |
| RPM | 1075 | 1000 | 1000 | 925 |
| Watts | 165 | 277 | 252 | 283 |
| Shipping weight – lbs. | 188 | 205 | 210 | 314 |
| Operating weight – lbs. | 181 | 198 | 203 | 307 |

| Electrical Data | | | | |
|--|---------------------|---------------------|---------------------|---------------------|
| Line Voltage Data (Volts-Phase-Hz) | 208/230-1-60 | 208/230-1-60 | 208/230-1-60 | 208/230-1-60 |
| Maximum overcurrent protection (amps)² | 20 | 35 | 40 | 50 |
| Minimum circuit ampacity³ | 12 | 21 | 25 | 30 |
| Compressor | | | | |
| Rated load amps | 9 | 13 | 18 | 22 |
| Locked rotor amps | 65 | 68 | 96 | 119 |

¹Refrigerant charge sufficient for 15 ft. length of refrigerant lines. For longer line set requirements see the installation instructions for information about set length and additional refrigerant charge required.

²HACR type circuit breaker or fuse.

³Refer to National Electrical Code manual to determine wire, fuse and disconnect size requirements.

Accessories

| MODEL NO. | | RP16AZ24AJ3 | RP16AZ36AJ3 | RP16AZ48AJ3 | RP16AZ60AJ3 |
|---|----------------|----------------|----------------|----------------|----------------|
| EcoNet® Smart Thermostat | | RETST800SYS | RETST800SYS | RETST800SYS | RETST800SYS |
| Compressor crankcase heater* | | N/A | N/A | N/A | N/A |
| Low ambient control | | 47-102709-10 | 47-102709-10 | 47-102709-10 | 47-102709-10 |
| Compressor sound cover | | 68-23427-27 | 68-23427-28 | 68-23427-29 | 68-23427-29 |
| Low pressure control | | 47-103454-01 | 47-103454-01 | 47-103454-01 | 47-103454-01 |
| High pressure control | | 47-103669-02 | 47-103669-02 | 47-103669-02 | 47-103669-02 |
| Liquid Line Solenoid (24 VAC, 50/60 Hz) | Solenoid Valve | 200RD2T3TVLC | 200RD2T3TVLC | 200RD2T3TVLC | 200RD2T3TVLC |
| | Solenoid Coil | 61-AMG24V | 61-AMG24V | 61-AMG24V | 61-AMG24V |
| Liquid Line Solenoid (120/240 VAC, 50/60 Hz) | Solenoid Valve | 200RD2T3TVLC | 200RD2T3TVLC | 200RD2T3TVLC | 200RD2T3TVLC |
| | Solenoid Coil | 61-AMG120/240V | 61-AMG120/240V | 61-AMG120/240V | 61-AMG120/240V |

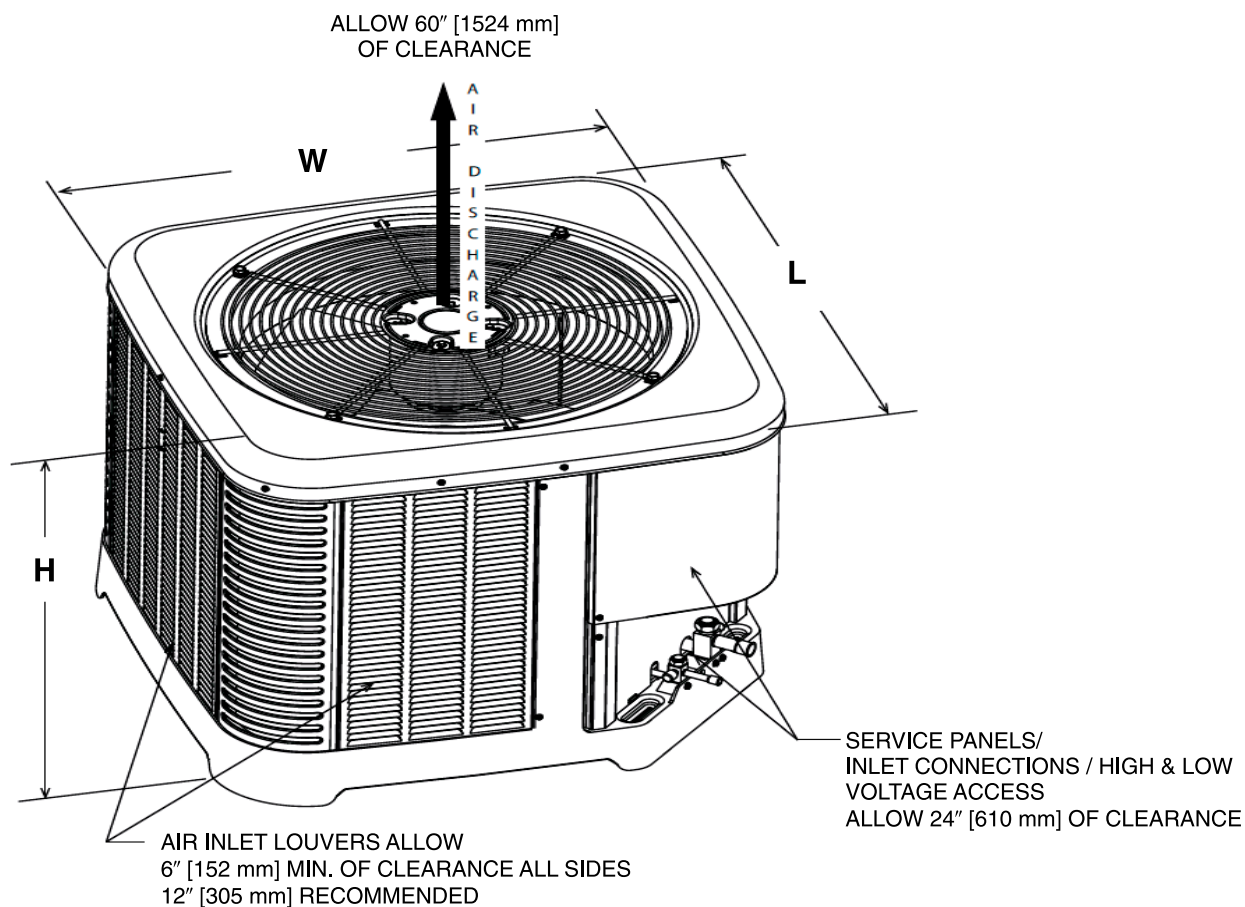
Weighted Sound Power Level (dBA)

| UNIT SIZE - VOLTAGE, SERIES | STANDARD RATING (dBA) HIGH STAGE LOW STAGE | TYPICAL OCTAVE BAND SPECTRUM (dBA WITHOUT TONE ADJUSTMENT) | | | | | | |
|--------------------------------|---|--|------|------|------|------|------|------|
| | | 125 | 250 | 500 | 1000 | 2000 | 4000 | 8000 |
| RP16AZ24AJ3 | 72.2 | 43.5 | 56.5 | 63.9 | 61.4 | 59.0 | 58.3 | 47.9 |
| | 63.6 | 37.8 | 48.9 | 55.4 | 52.7 | 49.9 | 51.6 | 42.4 |
| RP16AZ36AJ3 | 72.9 | 49.2 | 60.5 | 64.7 | 60.2 | 61.3 | 59.2 | 46.6 |
| | 59.9 | 35.8 | 44.8 | 51.6 | 49.6 | 46.9 | 45.4 | 42.2 |
| RP16AZ48AJ3 | 74.3 | 46.6 | 58.0 | 64.2 | 61.6 | 60.1 | 61.3 | 49.9 |
| | 61.5 | 35.1 | 46.0 | 53.8 | 47.9 | 46.4 | 53.5 | 42.0 |
| RP16AZ60AJ3 | 71.2 | 45.7 | 56.0 | 63.5 | 59.7 | 57.4 | 54.6 | 47.9 |
| | 61.8 | 30.9 | 45.2 | 52.6 | 48.6 | 50.3 | 49.2 | 42.1 |

NOTE: Tested in accordance with AHRI Standard 270-08 (not listed in AHRI)

Unit Dimensions

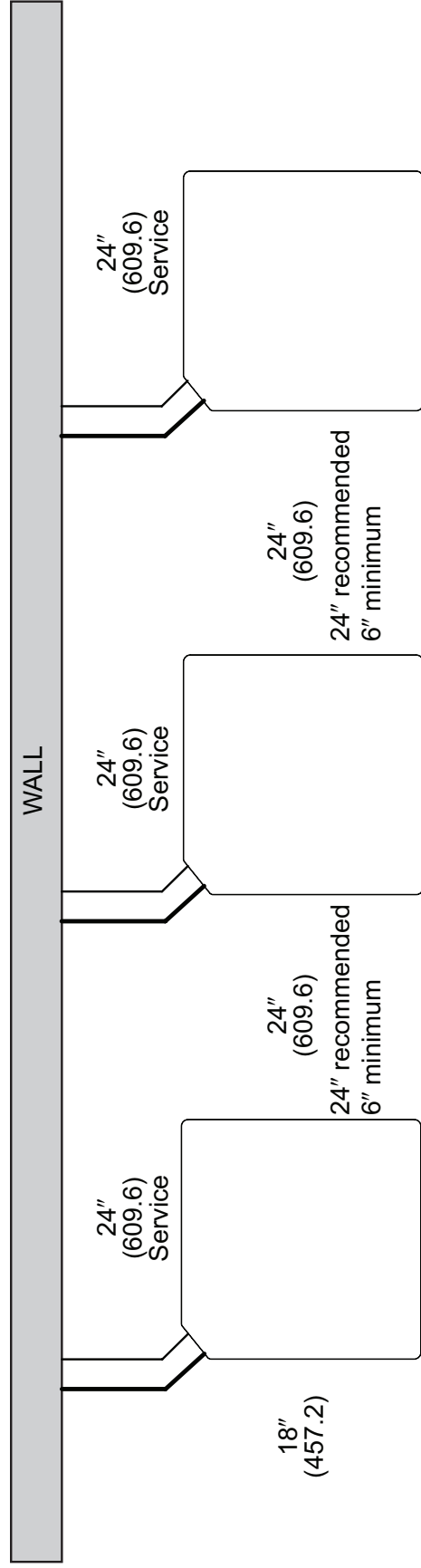
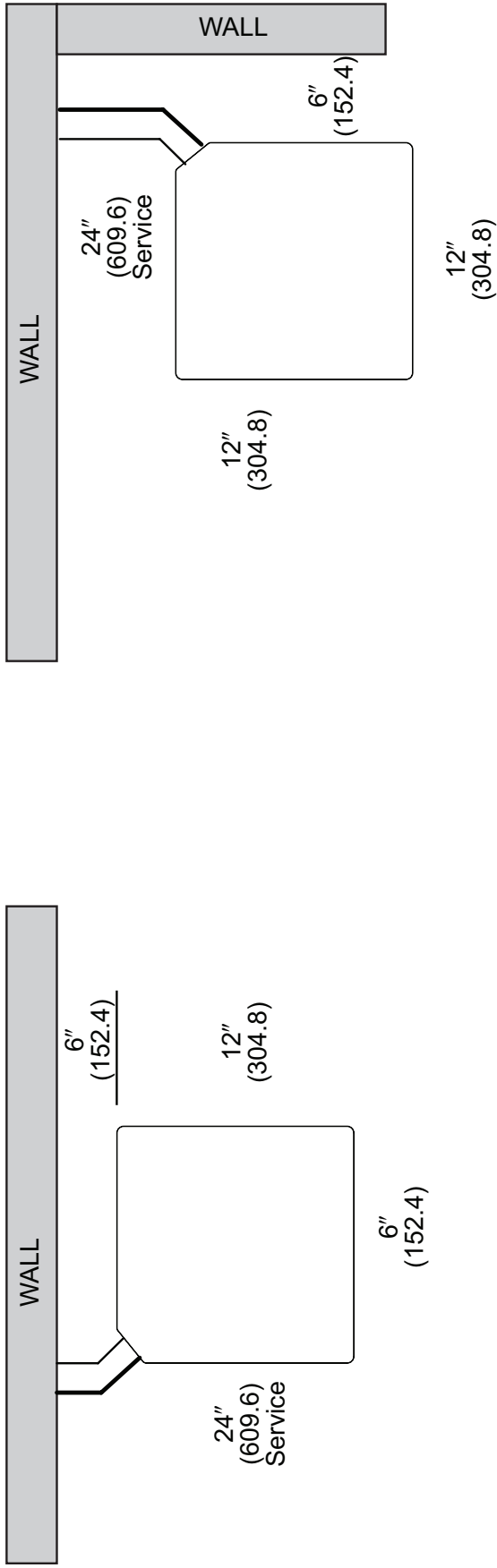
| MODEL NO. | OPERATING | | | | | | SHIPPING | | | | | |
|---------------|------------|---------|------------|--------|-----------|--------|------------|---------|------------|--------|-----------|--------|
| | H (Height) | | L (Length) | | W (Width) | | H (Height) | | L (Length) | | W (Width) | |
| | INCHES | mm | INCHES | mm | INCHES | mm | INCHES | mm | INCHES | mm | INCHES | mm |
| RP16AZ24AJ3CA | 27.00 | 685.80 | 29.75 | 755.65 | 29.75 | 755.65 | 28.50 | 723.90 | 32.38 | 822.45 | 32.38 | 822.45 |
| RP16AZ36AJ3CA | 35.00 | 889.00 | 33.75 | 857.25 | 33.75 | 857.25 | 36.50 | 927.10 | 36.38 | 924.05 | 36.38 | 924.05 |
| RP16AZ48AJ3CA | 35.00 | 889.00 | 33.75 | 857.25 | 33.75 | 857.25 | 36.50 | 927.10 | 36.38 | 924.05 | 36.38 | 924.05 |
| RP16AZ60AJ3CA | 45.00 | 1143.00 | 35.75 | 908.05 | 35.75 | 908.05 | 46.50 | 1181.10 | 38.38 | 974.85 | 38.38 | 974.85 |



[] Designates Metric Conversions

ST-A1226-02-00

CLEARANCES



NOTE: NUMBERS IN () = mm

IMPORTANT: When installing multiple units in an alcove, roof well or partially enclosed area, ensure there is adequate ventilation to prevent re-circulation of discharge air.

Refrigerant Line Size Information

| 16 SEER2 VARIABLE SPEED HEAT PUMPS | | | | | | | | |
|------------------------------------|----------------------------|---------------------------|--|---------|---------|---------|---------|---------|
| UNIT SIZE | ALLOWABLE LIQUID LINE SIZE | ALLOWABLE VAPOR LINE SIZE | OUTDOOR UNIT ABOVE OR BELOW INDOOR UNIT EQUIVALENT LENGTH (FEET) | | | | | |
| | | | < 25 | 26-50 | 51-75 | 76-100 | 101-125 | 126-150 |
| | | | MAXIMUM VERTICAL SEPARATION/CAPACITY MULTIPLIER | | | | | |
| 2.0 TON *SEE NOTE 3 | 1/4" | 5/8" | 25/1.00 | 50/0.99 | 33/0.98 | 60/0.97 | NR | NR |
| | 5/16" | 5/8" | 25/1.00 | 50/0.99 | 50/0.98 | 50/0.97 | 50/0.96 | 50/0.95 |
| | 3/8" | 5/8" | 25/1.00 | 50/0.99 | 50/0.98 | 50/0.97 | 50/0.96 | 50/0.95 |
| | 1/4" | 3/4" | 25/1.00 | 50/1.00 | 33/0.99 | 60/0.99 | NR | NR |
| | 5/16" | 3/4" | 25/1.00 | 50/1.00 | 50/0.99 | 50/0.99 | 50/0.99 | 50/0.98 |
| | 3/8" | 3/4" | 25/1.00 | 50/1.00 | 50/0.99 | 50/0.99 | 50/0.99 | 50/0.98 |
| 3 TON | 5/16" | 5/8" | 25/0.99 | 50/0.97 | 50/0.95 | 50/0.93 | 36/0.91 | NR |
| | 3/8" | 5/8" | 25/0.99 | 50/0.97 | 50/0.95 | 50/0.93 | 50/0.91 | NR |
| | 5/16" | 3/4" | 25/1.00 | 50/0.99 | 50/0.99 | 50/0.98 | 36/0.97 | 20/0.96 |
| | 3/8" | 3/4" | 25/1.00 | 50/0.99 | 50/0.99 | 50/0.98 | 50/0.97 | 50/0.96 |
| | 1/2" | 3/4" | 25/1.00 | 50/0.99 | 50/0.99 | 50/0.98 | 50/0.97 | 50/0.96 |
| 4 TON | 3/8" | 3/4" | 25/0.99 | 50/0.98 | 50/0.96 | 50/0.95 | 50/0.93 | 50/0.92 |
| | 1/2" | 3/4" | 25/0.99 | 50/0.98 | 50/0.96 | 50/0.95 | 50/0.93 | 50/0.92 |
| | 3/8" | 7/8" | 25/1.00 | 50/0.99 | 50/0.99 | 50/0.98 | 50/0.98 | 50/0.97 |
| | 1/2" | 7/8" | 25/1.00 | 50/0.99 | 50/0.99 | 50/0.98 | 50/0.98 | 50/0.97 |
| 5 TON | 3/8" | 3/4" | 25/0.98 | 50/0.97 | 50/0.95 | 50/0.93 | 46/0.91 | NR |
| | 1/2" | 3/4" | 25/0.98 | 50/0.97 | 50/0.95 | 50/0.93 | 50/0.91 | NR |
| | 3/8" | 7/8" | 25/0.99 | 50/0.99 | 50/0.98 | 50/0.97 | 50/0.96 | 38/0.95 |
| | 1/2" | 7/8" | 25/0.99 | 50/0.99 | 50/0.98 | 50/0.97 | 50/0.96 | 50/0.95 |
| | 3/8" | 1-1/8" | 25/1.00 | 50/1.00 | 50/1.00 | 50/0.99 | 50/0.99 | 38/0.99 |
| | 1/2" | 1-1/8" | 25/1.00 | 50/1.00 | 50/1.00 | 50/0.99 | 50/0.99 | 50/0.99 |

NOTES:

- 1) Do not exceed 150 ft. linear line length.
- 2) Do not exceed 50 ft. vertical separation between indoor and outdoor units.
- 3) *3/4" vapor line should only be used for 2 ton systems if outdoor unit is below or at same level as indoor unit to assure proper oil return.
- 4) **1-1/8" vapor line should only be used for 5 ton systems if outdoor unit is below or at same level as indoor unit to assure proper oil return.
- 5) Always use the smallest liquid line allowable to minimize refrigerant charge.
- 6) Applications shaded in light gray indicate capacity multipliers between 0.90 and 0.96 which are not recommended, but are allowed.
- 7) Applications shaded in dark gray are not recommended due to excessive liquid or suction pressure drop.
- 8) **Some longer lineset installations will require additional POE oil to be added to the system. See table below for additional oil volume requirements.**

| ADDITIONAL POE OIL, Oz. | | | | | | | | | | | |
|-------------------------|-----|-----|-----|-----|-----|-----|-----|-----|-----|-----|-----|
| LINESET LENGTH, FT | 50 | 60 | 70 | 80 | 90 | 100 | 110 | 120 | 130 | 140 | 150 |
| 2T | N/A | 1 | 3 | 4 | 5 | 7 | 8 | 9 | 11 | 12 | 13 |
| 3T | N/A | N/A | N/A | N/A | 1 | 2 | 3 | 5 | 6 | 7 | 9 |
| 4T | N/A | N/A | N/A | N/A | N/A | N/A | N/A | N/A | N/A | 0 | 1 |
| 5T | 2 | 3 | 4 | 6 | 7 | 8 | 10 | 11 | 12 | 14 | 15 |

Refrigerant Line Size Information (Con't.)

| 16 SEER2 VARIABLE SPEED HEAT PUMPS | | | | | | | | |
|------------------------------------|----------------------------|---------------------------|--|---------|---------|---------|---------|---------|
| UNIT SIZE | ALLOWABLE LIQUID LINE SIZE | ALLOWABLE VAPOR LINE SIZE | OUTDOOR UNIT ABOVE OR BELOW INDOOR UNIT EQUIVALENT LENGTH (METERS) | | | | | |
| | | | < 8 | 9-15 | 16-23 | 24-30 | 31-38 | 39-46 |
| | | | MAXIMUM VERTICAL SEPARATION/CAPACITY MULTIPLIER | | | | | |
| 7.0 kW [2.0 TON] *SEE NOTE 3 | 6.35 [1/4] | 15.88 [5/8] | 8/1.00 | 15/0.99 | 10/0.98 | 20/0.97 | NR | NR |
| | 7.94 [5/16] | 15.88 [5/8] | 8/1.00 | 15/0.99 | 15/0.98 | 15/0.97 | 15/0.96 | 15/0.95 |
| | 9.53 [3/8] | 15.88 [5/8] | 8/1.00 | 15/0.99 | 15/0.98 | 15/0.97 | 15/0.96 | 15/0.95 |
| | 6.35 [1/4] | 19.05 [3/4] | 8/1.00 | 15/0.99 | 10/0.99 | 20/0.99 | NR | NR |
| | 7.94 [5/16] | 19.05 [3/4] | 8/1.00 | 15/0.99 | 15/0.99 | 15/0.99 | 15/0.99 | 15/0.98 |
| | 9.53 [3/8] | 19.05 [3/4] | 8/1.00 | 15/0.99 | 15/0.99 | 15/0.99 | 15/0.99 | 15/0.98 |
| 10.6 kW [3 TON] | 7.94 [5/16] | 15.88 [5/8] | 8/0.99 | 15/0.97 | 15/0.95 | 15/0.93 | 11/0.91 | NR |
| | 9.53 [3/8] | 15.88 [5/8] | 8/0.99 | 15/0.97 | 15/0.95 | 15/0.93 | 15/0.91 | NR |
| | 7.94 [5/16] | 19.05 [3/4] | 8/1.00 | 15/0.99 | 15/0.99 | 15/0.98 | 11/0.97 | 6/0.96 |
| | 9.53 [3/8] | 19.05 [3/4] | 8/1.00 | 15/0.99 | 15/0.99 | 15/0.98 | 15/0.97 | 15/0.96 |
| | 12.70 [1/2] | 19.05 [3/4] | 8/1.00 | 15/0.99 | 15/0.99 | 15/0.98 | 15/0.97 | 15/0.96 |
| 14.1 kW [4 TON] | 9.53 [3/8] | 19.05 [3/4] | 8/0.99 | 15/0.98 | 15/0.96 | 15/0.95 | 15/0.93 | 15/0.92 |
| | 12.70 [1/2] | 19.05 [3/4] | 8/0.99 | 15/0.98 | 15/0.96 | 15/0.95 | 15/0.93 | 15/0.92 |
| | 9.53 [3/8] | 22.23 [7/8] | 8/1.00 | 15/0.99 | 15/0.99 | 15/0.98 | 15/0.98 | 15/0.97 |
| | 12.70 [1/2] | 22.23 [7/8] | 8/1.00 | 15/0.99 | 15/0.99 | 15/0.98 | 15/0.98 | 15/0.97 |
| 17.6 kW [5 TON] | 9.53 [3/8] | 19.05 [3/4] | 8/0.98 | 15/0.97 | 15/0.95 | 15/0.93 | 14/0.91 | NR |
| | 12.70 [1/2] | 19.05 [3/4] | 8/0.98 | 15/0.97 | 15/0.95 | 15/0.93 | 15/0.91 | NR |
| | 9.53 [3/8] | 22.23 [7/8] | 8/0.99 | 15/0.99 | 15/0.98 | 15/0.97 | 15/0.96 | 12/0.95 |
| | 12.70 [1/2] | 22.23 [7/8] | 8/0.99 | 15/0.99 | 15/0.98 | 15/0.97 | 15/0.96 | 15/0.95 |
| | 9.53 [3/8] | 28.58 [1-1/8]** | 8/1.00 | 36540 | 36540 | 15/0.99 | 15/0.99 | 12/0.99 |
| | 12.70 [1/2] | 28.58 [1-1/8]** | 8/1.00 | 36540 | 36540 | 15/0.99 | 15/0.99 | 15/0.99 |

- NOTES:**
- 1) Do not exceed 46 meters linear line length.
 - 2) Do not exceed 15 meters vertical separation between indoor and outdoor units.
 - 3) *19.05 mm [3/4 in.] vapor line should only be used for 2 ton systems if outdoor unit is below or at same level as indoor unit to assure proper oil return.
 - 4) **28.58 mm [1-1/8 in.] vapor line should only be used for 5 ton systems if outdoor unit is below or at same level as indoor unit to assure proper oil return.
 - 5) Always use the smallest liquid line allowable to minimize refrigerant charge.
 - 6) Applications shaded in light gray indicate capacity multipliers between 0.90 and 0.96 which are not recommended, but are allowed.
 - 7) Applications shaded in dark gray are not recommended due to excessive liquid or suction pressure drop.
 - 8) **Some longer lineset installations will require additional POE oil to be added to the system. See table below for additional oil volume requirements.**

| ADDITIONAL POE OIL, Oz. | | | | | | | | | | | |
|-------------------------|------|------|------|------|------|------|------|------|------|------|------|
| LINESET LENGTH, M | 15.2 | 18.3 | 21.3 | 24.4 | 27.4 | 30.5 | 33.5 | 36.6 | 39.6 | 42.7 | 45.7 |
| 2T | N/A | 1 | 3 | 4 | 5 | 7 | 8 | 9 | 11 | 12 | 13 |
| 3T | N/A | N/A | N/A | N/A | 1 | 2 | 3 | 5 | 6 | 7 | 9 |
| 4T | N/A | N/A | N/A | N/A | N/A | N/A | N/A | N/A | N/A | 0 | 1 |
| 5T | 2 | 3 | 4 | 6 | 7 | 8 | 10 | 11 | 12 | 14 | 15 |

Performance Data @ AHRI Standard Conditions – Cooling

| DESIGNATED TESTED COMBINATION (DTC) | | | | | | | | | | | | |
|-------------------------------------|----------------|------------------------------|----------------------------|--------------------------|-------|------|---------------------|---|------------------|---|------------------|--------------------|
| OUTDOOR UNIT | AIR HANDLER | TOTAL CAPACITY BTU/H [KW] | NET SENSIBLE BTU/H [KW] | NET LATENT BTU/H [KW] | SEER2 | EER2 | INDOOR CFM [L/S] | 47 DEGREE HEATING CAPACITY BTU/H [KW] | 47 DEGREE COP | 17 DEGREE HEATING CAPACITY BTU/H [KW] | 17 DEGREE COP | REGION IV HSPF2 |
| RP16AZ24AJ3 | RH3VZ2417STACN | 22,600 [6.6] | 17,300 [5.1] | 5,300 [1.6] | 16.0 | 9.8 | 750 [354.0] | 22,800 [6.7] | 3.50 | 13,800 [4.0] | 2.40 | 8.0 |
| RP16AZ36AJ3 | RH3VZ3617STACN | 34,200 [10.0] | 26,200 [7.7] | 8,000 [2.3] | 16.0 | 9.8 | 1,100 [519.1] | 34,500 [10.1] | 3.20 | 21,600 [6.3] | 2.30 | 7.5 |
| RP16AZ48AJ3 | RH3VZ4821STACN | 45,500 [13.3] | 34,900 [10.2] | 10,600 [3.1] | 16.0 | 9.8 | 1,475 [696.1] | 45,500 [13.3] | 3.40 | 28,500 [8.4] | 2.40 | 8.0 |
| RP16AZ60AJ3 | RH3VZ6024STACN | 55,000 [16.1] | 42,200 [12.4] | 12,800 [3.8] | 16.0 | 9.8 | 1,725 [814.1] | 57,000 [16.7] | 3.20 | 35,500 [10.4] | 2.40 | 8.0 |

NOTE: This data includes DTC (Designated Test Combination) ratings and is for reference purposes only. A full listing of official ratings and system match-ups, along with downloadable certificates, can be accessed from the AHRI website: www.ahridirectory.org.

[] Designates Metric Conversions



The new degree of comfort®

GENERAL TERMS OF LIMITED WARRANTY*

Rheem will furnish a replacement for any part of this product which fails in normal use and service within the applicable period stated, in accordance with the terms of the limited warranty.

Conditional Unit Replacement
(Registration Required)..... Ten (10) Years
Parts Ten (10) Years

***For complete details of the Limited and Conditional Warranties, including applicable terms and conditions, contact your local contractor or the Manufacturer for a copy of the product warranty certificate.**

Before proceeding with installation, refer to installation instructions packaged with each model, as well as complying with all Federal, State, Provincial, and Local codes, regulations, and practices.

© 2023 Rheem Manufacturing Company. Rheem trademarks owned by Rheem Manufacturing Company.

In keeping with its policy of continuous progress and product improvement, Rheem reserves the right to make changes without notice.

Rheem Heating, Cooling & Water Heating • 5600 Old Greenwood Road
Fort Smith, Arkansas 72908 • www.rheem.com

Rheem Canada Ltd./Ltée • 125 Edgeware Road, Unit 1
Brampton, Ontario • L6Y 0P5 • rheem.ca