



# RP16

Parts List  
07-August-2017



*This parts list is current as of the above revision date.  
See <http://www.rheempartslists.net/92-42800-RP16.pdf> for the current revision.*

Heat Pumps

# Table of Contents

Model Explanation .....	Page 3
<b>Parts Numbers</b>	
Panels .....	Page 4
Electrical-Fan Group .....	Page 5
Coil Parts .....	Page 6
Compressor Group .....	Page 7
Accessories .....	Page 8
<b>Drawings/Photographs</b>	
Exploded View .....	Page 9
Control Box (1) .....	Page 10
Control Box (2) .....	Page 10
Valve Mounting, Compressor .....	Page 11
Notes/Disclaimer .....	Page 12

**MODEL NUMBER EXPLANATION**

<b>R</b>	<b>P</b>	<b>1</b>	<b>6</b>	<b>2</b>	<b>4</b>	<b>A</b>	<b>J</b>	<b>2</b>	<b>N</b>	<b>A</b>
<b>1</b>	<b>2</b>	<b>3</b>		<b>4</b>		<b>5</b>	<b>6</b>	<b>7</b>	<b>8</b>	<b>9</b>

- |   |   |
|---|---|
| <p><b>(1) Brand</b></p> <p><b>(2) Product Category</b><br/>P = Heat Pump</p> <p><b>(3) Seer</b><br/>16 = 16 SEER</p> <p><b>(4) COOLING CAPACITY (BTU/HR)</b><br/>018 = 18,000<br/>024 = 24,000<br/>030 = 30,000<br/>036 = 36,000<br/>042 = 42,000<br/>048 = 48,000<br/>060 = 60,000</p> | <p><b>(5) MAJOR SERIES</b><br/>A = First Major Design Series<br/>B = Second Major Design Series</p> <p><b>(6) VOLTAGE</b><br/>J = 208-230/1/60<br/>C = 208-230/3/60<br/>D = 460/3/60</p> <p><b>(7) TYPE</b><br/>2 = Two Stage</p> <p><b>(8) CONTROLS</b><br/>N = Non-Communicating</p> <p><b>(9) MINOR SERIES</b><br/>A = First Design Series</p> |
|---|---|

**SERIAL NUMBER EXPLANATION**

<b>W</b>	<b>0</b>	<b>8</b>	<b>1</b>	<b>3</b>	<b>9</b>	<b>9</b>	<b>9</b>	<b>9</b>
<b>(1)</b>	<b>(2)</b>	<b>(3)</b>	<b>(4)</b>					

- (1) PLANT CODE**  
W = West Nuevo Laredo
- (2) WEEK OF PRODUCTION**
- (3) YEAR OF PRODUCTION**
- (4) PRODUCTION NUMBER**

**Note: For Compressor Identification Number, see Compressor Code on Rating Plate**

No.	Notes	MODEL COOLING CAPACITY VARIATION	RP16 24 AJ2NA	RP16 36 AJ2NA	RP16 48 AJ2NA	RP16 60 AJ2NA
<b>SHEET METAL PARTS, MISCELLANEOUS</b>						
1		Front Panel	AE-104456-22	AE-104456-25	AE-104456-46	AE-104456-46
2		Left Panel (Badge Panel)	AE-104456-24	AE-104456-41	AE-104456-57	AE-104456-57
3		Back Panel	AE-104456-23	AE-104456-26	AE-104456-47	AE-104456-47
4		Right Panel	AE-104456-22	AE-104456-25	AE-104456-46	AE-104456-46
5		Base Pan	68-104457-02	68-104457-02	68-104457-03	68-104457-03
6		Control Box	AE-104461-05	AE-104461-05	AE-104461-05	AE-104461-05
7		Control Box Cover	AS-104462-01H	AS-104462-01H	AS-104462-01H	AS-104462-01H
8		Control Box Bracket	AS-104460-03H	AS-104460-04H	AS-104460-06H	AS-104460-06H
9		Service Door	AS-104525-01H	AS-104525-01H	AS-104525-01H	AS-104525-01H
10		Center Post (2)	AS-104459-05H	AS-104459-07H	AS-104459-11H	AS-104459-11H
12		Corner Post - Louvered (3)	AS-104469-03H	AS-104469-04H	AS-104469-06H	AS-104469-06H
13		Top Panel	AS-104458-02H	AS-104458-02H	AS-104458-03H	AS-104458-03H
14		Venturi	68-104464-06	68-104464-06	68-104464-05	68-104464-07
15		Grille	95-104620-02	95-104620-02	95-104620-03	95-104620-03
		Center Cap - Blank (for Grille)	91-105471-01	91-105471-01	91-105471-01	91-105471-01
		Service Valve - Suction	See Coil Group			
		Service Valve - Liquid	See Coil Group			
		Touch-up Paint - Granite/Steel Gray (Aerosol)	PD523018	PD523018	PD523018	PD523018
		Touch-up Paint - Granite/Steel Gray (Paint Pens)	PD523019	PD523019	PD523019	PD523019

No.	Notes	MODEL COOLING CAPACITY VARIATION	RP16 24 AJ2NA	RP16 36 AJ2NA
<b>ELECTRICAL/FAN GROUP</b>				
20	Stk	Fan Motor	51-106394-05	51-102728-25
21	Stk	Fan Blade	70-101323-35	70-102345-20
22	Stk	Contactora	42-102664-05	42-102664-05
23		Capacitor	See Compressor Group	
23a		Capacitor Strap	AE-104562-01	AE-104562-01
24	Stk	Defrost Control Board	47-102685-07	47-102685-07
		Low Ambient Sensor	47-102709-04	47-102709-04
25		Crankcase Heater	See Compressor Group	
26		Grounding Lug	45-19000-01	45-19000-01
		Low Ambient Control	See Accessories Group	
27	Stk	Low Pressure Control	47-103670-05	47-103670-05
27a		Valve Body - Low Pressure Control	61-18542-01	61-18542-01
28	Stk	High Pressure Control	47-103669-01	47-103669-01

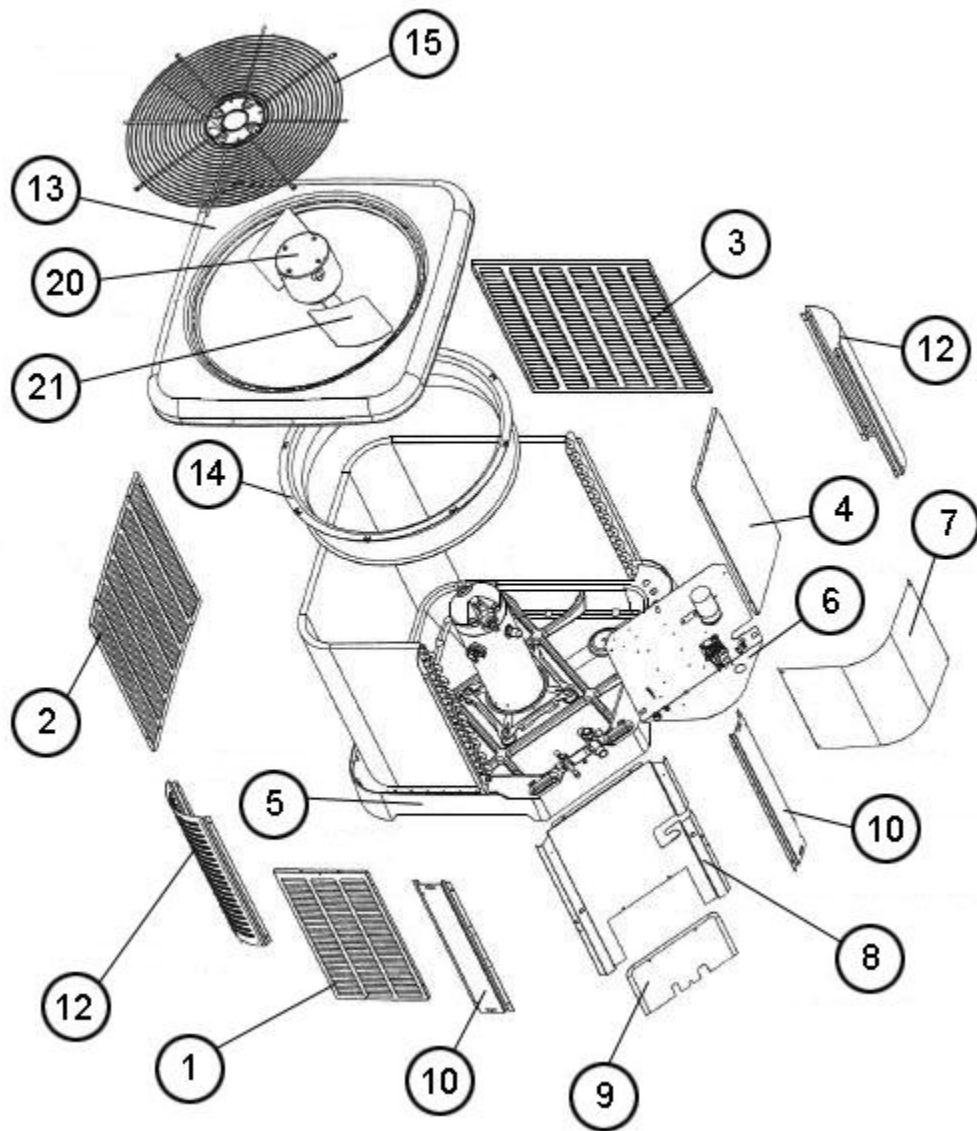
No.	Notes	MODEL COOLING CAPACITY VARIATION	RP16 48 AJ2NA	RP16 60 AJ2NA
<b>ELECTRICAL/FAN GROUP</b>				
20	Stk	Fan Motor	51-102008-23	51-102008-23
21	Stk	Fan Blade	70-101323-29	70-101323-29
22	Stk	Contactora	42-102664-10	42-102664-10
23		Capacitor	See Compressor Group	
23a		Capacitor Strap	AE-104562-01	AE-104562-01
24	Stk	Defrost Control Board	47-102685-07	47-102685-07
		Low Ambient Sensor	47-102709-04	47-102709-04
25		Crankcase Heater	44-103663-13	44-103663-13
26		Grounding Lug	45-19000-01	45-19000-01
		Low Ambient Control	See Accessories Group	
27	Stk	Low Pressure Control	47-103670-10	47-103670-10
27a		Valve Body - Low Pressure Control	61-18542-01	61-18542-01
28	Stk	High Pressure Control	47-103669-01	47-103669-01

No.	Notes	MODEL COOLING CAPACITY VARIATION	RP16 24 AJ2NA	RP16 36 AJ2NA	RP16 48 AJ2NA	RP16 60 AJ2NA
<b>COIL GROUP</b>						
30	Stk	Condenser Coil	AS-105090-03	AS-105093-03	AS-105214-03	AS-105214-03
31		Service Valve - Suction	61-104914-03	61-104914-03	61-104914-04	61-104914-04
32		Service Valve - Liquid	61-104914-05	61-104914-05	61-104914-05	61-104914-05
33		Bulkhead Valve	61-22369-04	61-22369-04	61-22369-04	61-22369-04
33a		Valve Core	61-18551-01	61-18551-01	61-18551-01	61-18551-01
33b		Valve Cap	83-100635-01	83-100635-01	83-100635-01	83-100635-01
		Locknut - Bulkhead Valve	63-22368-01	63-22368-01	63-22368-01	63-22368-01
27	Stk	Low Pressure Control	See Electrical Group			
28	Stk	High Pressure Control	See Electrical Group			
	Stk	Filter Drier	See Compressor Group			
		Charge Compensator	83-104499-06	N/A	83-104499-11	83-104499-11
29a	Stk	TXV/Distributor Assembly	61-105025-09	61-105025-10	61-105025-14	61-105025-13
29b	Stk	Reversing Valve	61-102498-04	61-102498-09	61-102498-06	61-102498-06
	Stk	Solenoid Coil - Reversing Valve	61-101713-92	61-101713-92	61-101713-92	61-101713-92
		Wiring Harness - Reversing Valve	61-26149-05	61-26149-05	61-26149-05	61-26149-05

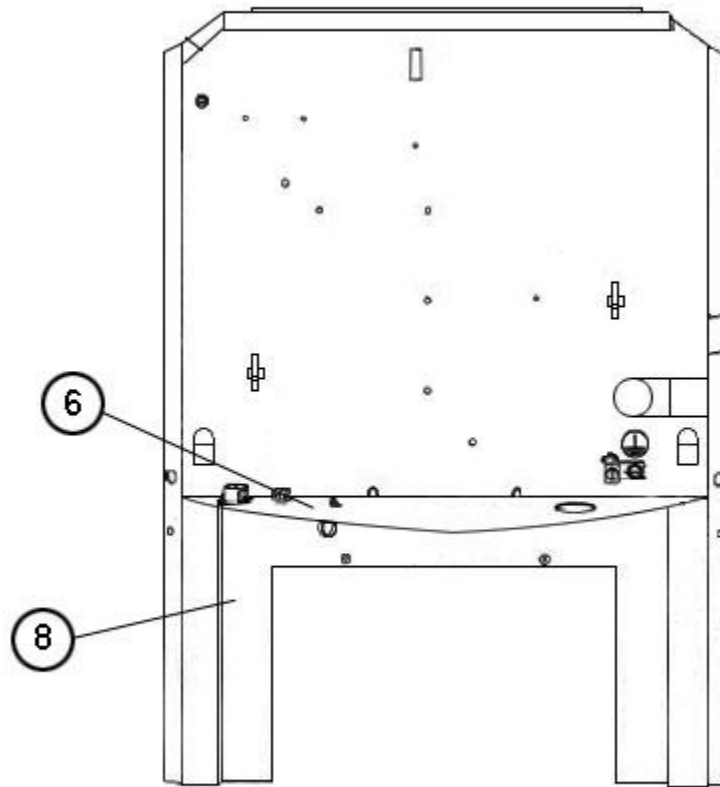
No.	Notes	MODEL COOLING CAPACITY VARIATION	RP16 24 AJ2NA	RP16 36 AJ2NA	RP16 48 AJ2NA	RP16 60 AJ2NA
<b>COMPRESSOR GROUP</b>						
		<b>Compressor ID:</b>	<b>9195</b>	<b>9196</b>	<b>9197</b>	<b>9198</b>
40	Stk	Compressor	55-23156-47	55-23156-36S	55-23156-37S	55-23156-34S
		Compressor Grommet (4)	56-18518-04	56-18518-04	56-18518-06	56-18518-06
		Compressor Bolt (4)	63-20072-07	63-20072-07	63-20072-07	63-20072-07
23	Stk	Capacitor - Compressor/Fan	43-101666-67	43-101666-25	43-101665-60	43-101665-61
	Stk	Compressor Wiring Harness (Molded Plug)	45-100834-80	45-100834-80	45-100834-80	45-100834-80
25		Crankcase Heater	See Accessories		44-103663-13	44-103663-13
		Muffler	83-104416-01	83-104416-01	83-104416-01	83-104416-01
		Filter Drier	83-41719-02	83-41719-02	83-41719-02	83-41719-02
		Charge Compensator	See Coil Group			

No.	Notes	MODEL COOLING CAPACITY VARIATION	RP16 24 AJ2NA	RP16 36 AJ2NA	RP16 48 AJ2NA	RP16 60 AJ2NA
<b>ACCESSORIES</b>						
		Low Ambient Control	RXAD-A08	RXAD-A08	RXAD-A08	RXAD-A08
		Compressor Crankcase Heater	44-17402-44	44-17402-44	See Compressor Group	
		Compressor Sound Cover	68-23427-26	68-23427-26	68-23427-25	68-23427-25
		Compressor Hard Start Kit	SK-A1	SK-A1	SK-A1	SK-A1

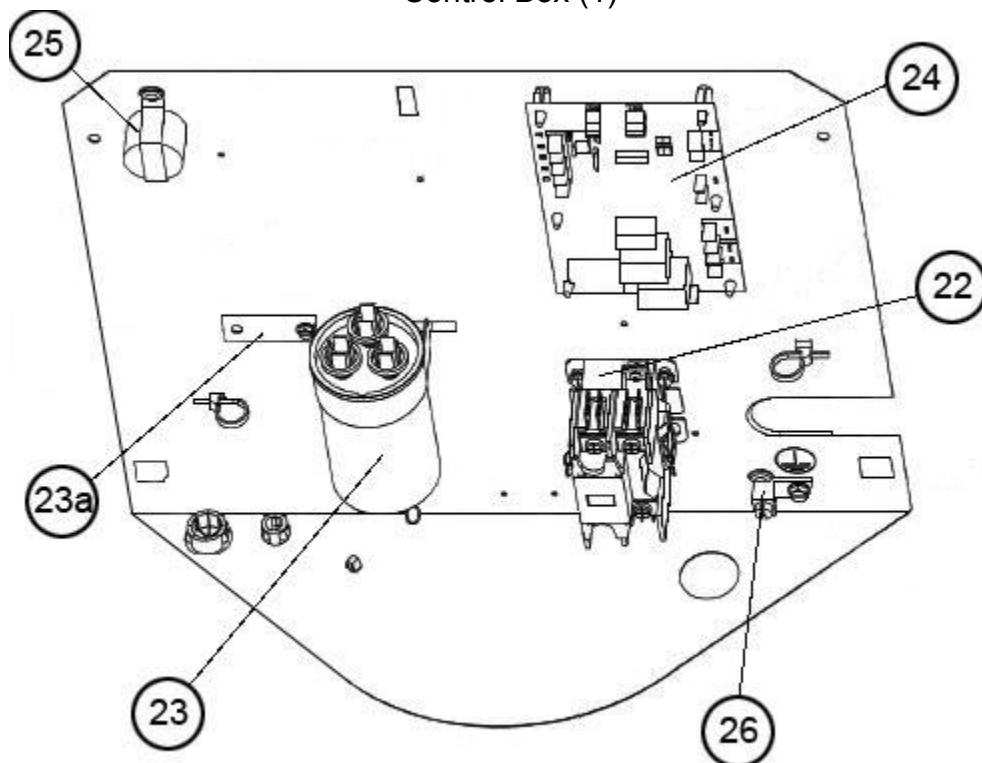




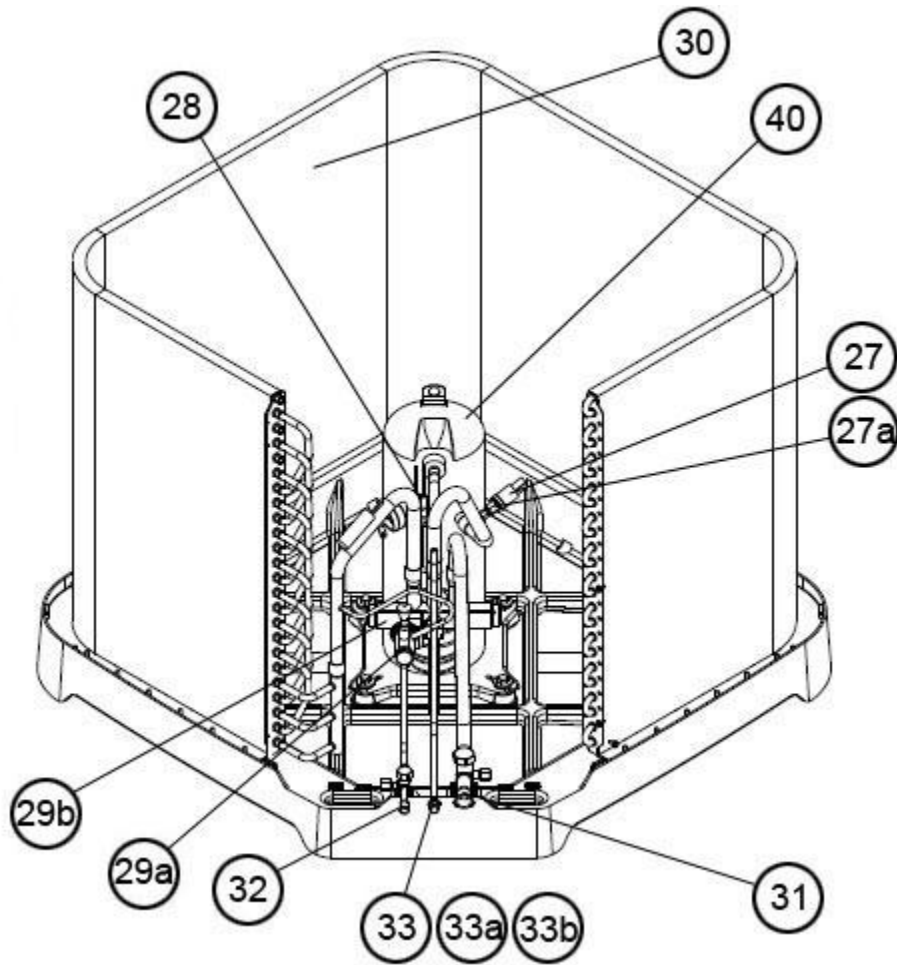
Exploded View



Control Box (1)



Control Box (2)



Valve Mounting, Compressor

# NOTES

Stk It is recommended that stock be maintained for this part.  
N/A Not Applicable

**DISCLAIMER:** This document is intended to provide general replacement parts information to aid qualified service personnel in the repair of these models. The complete Model and Serial Number of the unit under repair should be specified when selecting and ordering replacement parts. Specifications and illustrations are subject to change without notice. Document 92-42800-RP16 supersedes all previous parts lists for these models. See <http://www.rheempartslists.net/92-42800-RP16> for the latest revision of this document. The manufacturer assumes no obligation for errors or omissions. Service personnel must verify the proper and safe operation of equipment after the replacement of any original components.