



The new degree of comfort.™

SUBMITTAL COVER SHEET

PROJECT NAME _____

LOCATION _____

ARCHITECT _____

ENGINEER _____

CONTRACTOR _____

SUBMITTED BY _____ DATE _____

UNIT SUMMARY

Quantity						
Unit Designation						
Model No.						
Total Cooling						
Sensible Cooling						
Air Ent. Evaporator						
Air Lvg. Evaporator						
Heating Input						
Heating Output						
CFM/ESP						
EER/SEER						
Electrical						
Minimum Ampacity						
Min.-Max. Breaker						
Net Unit Weight						
Accessory						
Catalog Form Number						

ACCESSORIES:

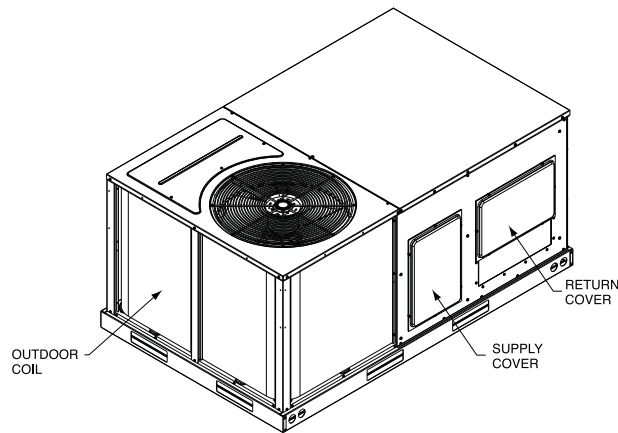
NOTES:



INTEGRATED HOME COMFORT

SUBMITTAL SHEET FOR PACKAGE AIR CONDITIONER UNITS EQUIPPED WITH ClearControl™: RLNN-C/RLPN-C/RLQN-C NOMINAL SIZES 3-5 TONS [10.6-17.6 kW]

JOB NAME _____
 CONTRACTOR _____
 ENGINEER _____
 LOCATION _____
 ORDER NO. _____
 SUBMITTED FOR APPROVAL RECORD
 SUBMITTED BY _____
 DATE _____
 UNIT DESIGNATION _____
 MODEL NO. _____



UNIT DATA

COOLING PERFORMANCE

TOTAL CAPACITY* MBH
 SENSIBLE CAPACITY* MBH
 EFFICIENCY (at ARI) EER
 PART LOAD EFFICIENCY IPLV
 AMBIENT DB TEMP °F
 ENTERING DB TEMP °F
 ENTERING WB TEMP °F
 LEAVING DB TEMP °F
 LEAVING WB TEMP °F
 TOTAL POWER INPUT kW
 ELEVATION FT
 SOUND POWER DBELS

HEATING PERFORMANCE

ELECTRIC HEAT CAPACITY kW

SUPPLY AIR BLOWER PERFORMANCE

SUPPLY AIR CFM [L/s]
 OUTSIDE AIR CFM [L/s]
 EXTERNAL STATIC PRESSURE IWG
 DUCT CONNECTION LOCATION
 BLOWER SPEED RPM
 MOTOR RATING HP [W]
 BRAKE HORSEPOWER BHP
 POWER INPUT REQUIREMENT kW

ELECTRICAL DATA

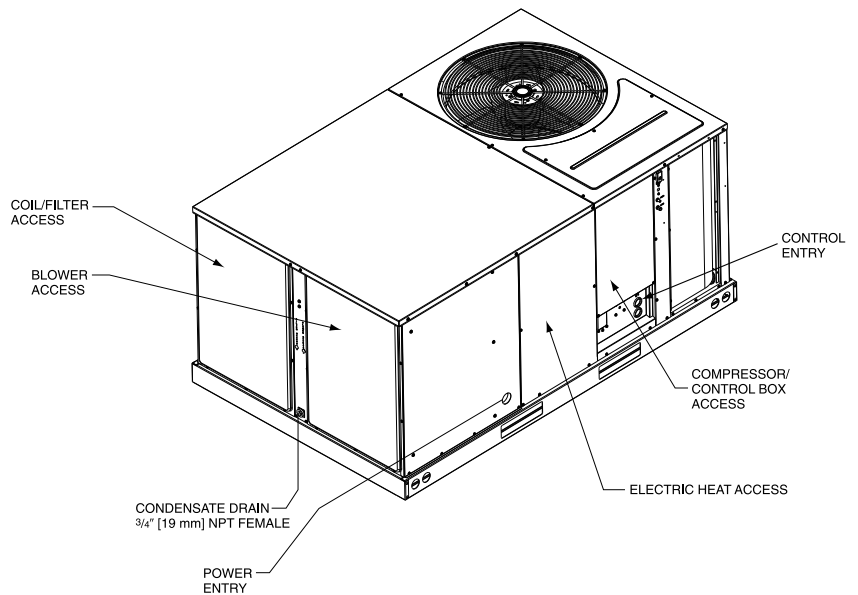
POWER SUPPLY Hz
 MINIMUM CIRCUIT AMPACITY AMPS
 MAXIMUM OVERCURRENT DEVICE
 FUSE SIZE AMPS
 HACR CIRCUIT BREAKER AMPS

DIMENSIONS & WEIGHT

HEIGHT _____ IN WIDTH _____ IN DEPTH _____ IN
 TOTAL WEIGHT LBS [kg]
 (including factory options)

CLEARANCES

FRONT 48" [1219 mm] BACK 18" [457 mm]
 BOTTOM 0" TOP 60" [1524 mm]
 LEFT SIDE 18" [457 mm] 36" [914 mm]
 RIGHT SIDE (condenser end) 18" [457 mm]

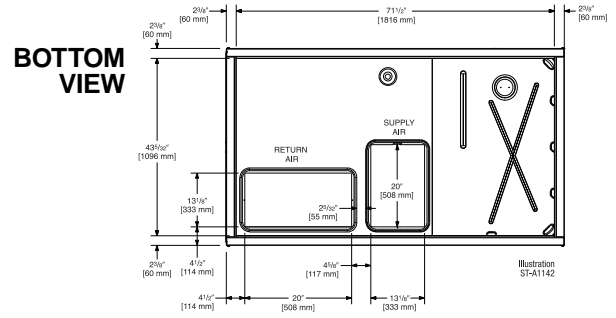
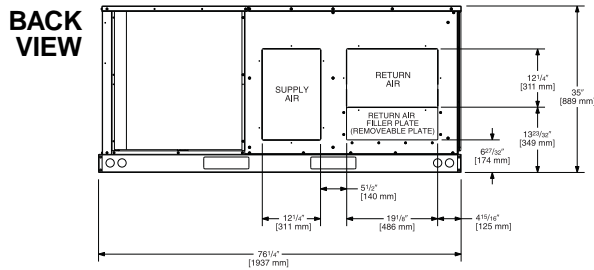
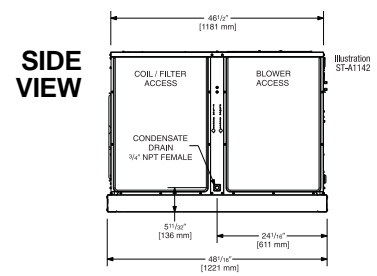
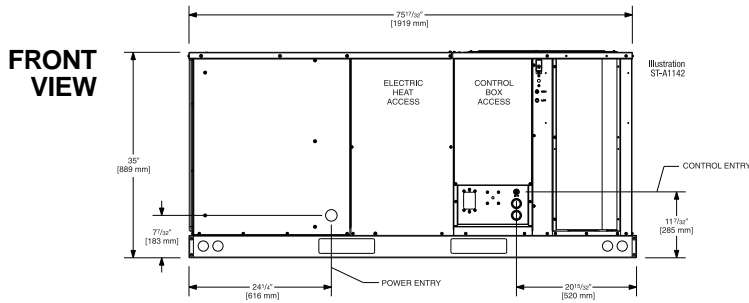


[] Designates Metric Conversions



(14 SEER AND ABOVE)

"Proper sizing and installation of equipment is critical to achieve optimal performance.
 Ask your Contractor for details or visit www.energystar.gov."



FEATURES FOR PACKAGE AIR CONDITIONERS RLNN-C/RLPN-C/RLQN-C 3-5 TONS [10.6-17.6 kW]

- R-410A HFC refrigerant.
- Complete factory charged, wired and run tested.
- Scroll compressors with internal line break overload and high-pressure protection.
- Single stage compressor on all models. (except RLQN-C060 which utilizes 2 stage Ultra tech)
- Convertible airflow.
- TXV refrigerant metering system on each circuit.
- High Pressure and Low Pressure/Loss of charge protection standard on all models.
- Solid Core liquid line filter drier on each circuit.
- Single slab, Micro Channel designed evaporator coil facilitates easy cleaning for maintained high efficiencies.
- Cooling operation up to 125 degree F ambient.
- Easily removable filter, blower, electric heat, and control access panels permits prompt service.
- Powder Paint Finish meets ASTM B117 steel coated on each side for maximum protection. G90 galvanized.
- One piece top cover and one piece base pan with drawn supply and return opening for superior water management.
- Externally mounted refrigerant gauge ports for easy service diagnostics.
- Factory or field-installed electric heat kits available up to 24 kW.
- Easy to install plug-in; slip in, 100% fully modulating economizer.
- Forkable base rails for easy handling and lifting.
- Single point electrical connections.
- High performance belt drive motor with variable pitch pulleys and quick adjust belt system.
- Permanently lubricated evaporator, condenser motors.
- Condenser motors are internally protected, totally enclosed with shaft down design.
- 1 inch filter standard with slide out design.
- Colored and labeled wiring.
- Copper tube/Aluminum Fin coils.
- Molded compressor plug.
- Factory Installed ClearControl™, a Direct Digital Control (DDC) and sensors which can connect to LonWorks™ or BACnet® BAS systems for remote monitoring and control.
- Micro Channel evaporator and condenser delivers superior performance with less refrigerant charge and less weight than conventional copper tube/aluminum fin coils. In addition the all aluminum construction has superior protection against formicary corrosion and aluminum tube rubbing potential. Its easier to clean and has a more robust surface.

ACCESSORIES

Factory Installed

- Oversized Blower motor.....
- Outdoor Coil Guard
- Non-Powered Convenience Outlet
- Low Ambient w/Comfort Alert® Control.....
- Comfort Alert® Control
- Louver Kit (3 Sides)
- Single Enthalpy Economizer w/Barometric Relief and DDC
- Single Enthalpy Economizer w/Barometric Relief, Smoke Detector and DDC.....

[] Designates Metric Conversions

Field Installed

- Low Ambient Control.....
- 14" Full Perimeter Roofcurb
- 24" Full Perimeter Roofcurb
- Roofcurb Adapter
- Concentric Diffuser
- Manual Outside Air Intake Damper
- Motorized Outside Air Intake
- Motorized Outside Air Intake Damper w/DDC Feedback
- Dual Enthalpy Adapter
- Power Exhaust
- CO₂ Sensor (wall mount with LCD)

Before proceeding with installation, refer to installation instructions packaged with each model, as well as complying with all Federal, State, Provincial, and Local codes, regulations, and practices.

Rheem Sales Company, Inc.
P.O. Box 17010, Fort Smith, AR 72917

"In keeping with its policy of continuous progress and product improvement, Rheem reserves the right to make changes without notice."