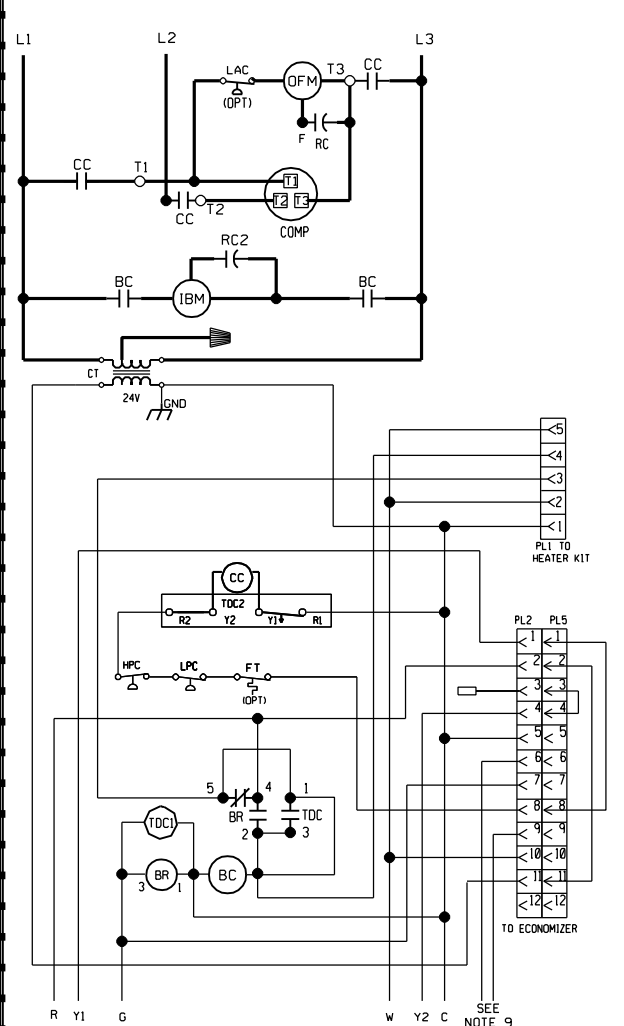
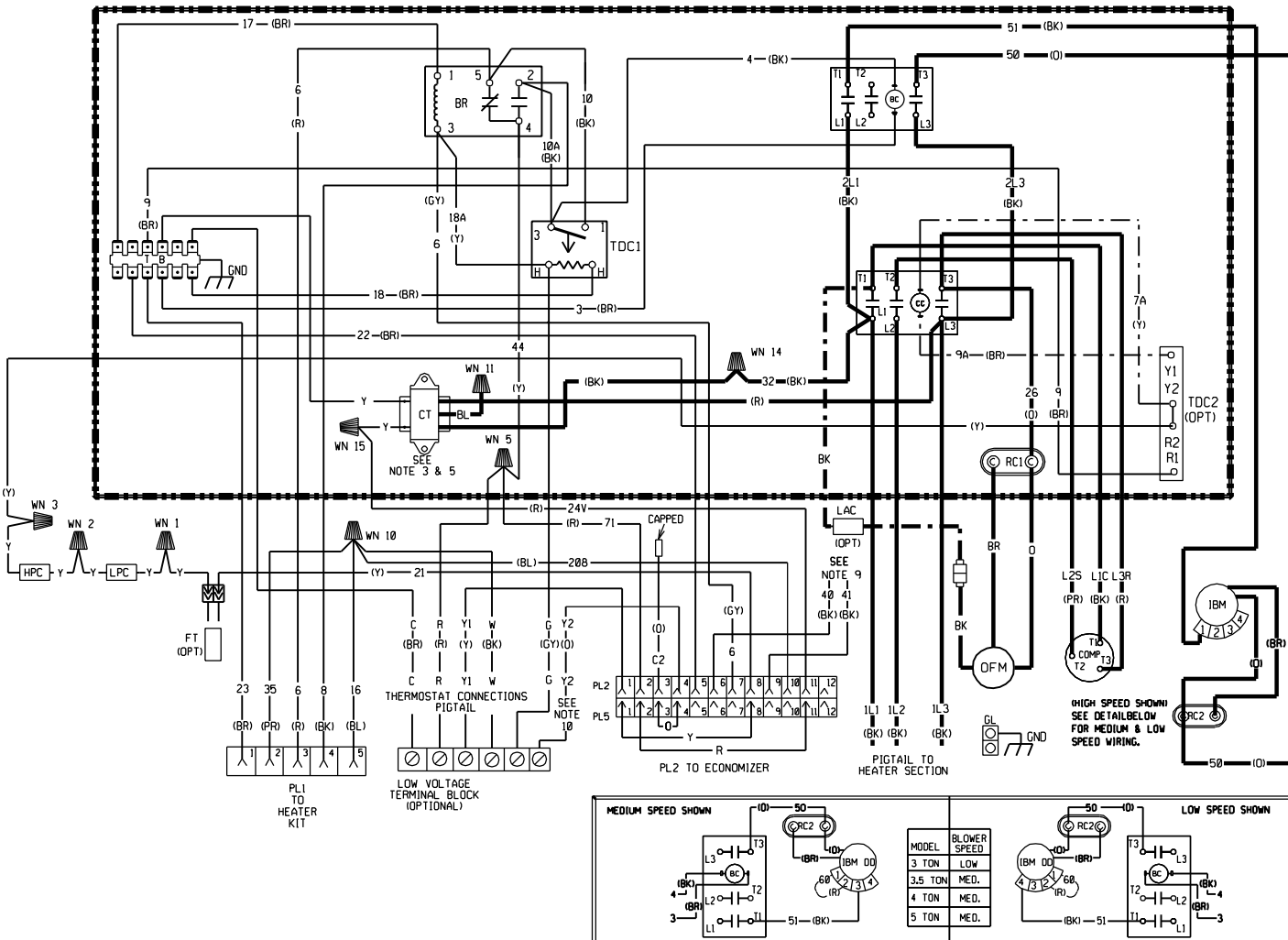


WIRING DIAGRAM

WIRING SCHEMATIC



COMPONENT CODE

- BC BLOWER MOTOR
- BR BLOWER RELAY
- CC COMPRESSOR CONTACTOR
- COMP COMPRESSOR
- CT CONTROL TRANSFORMER
- FT FREEZE STAT
- GL GROUND LUG
- GND GROUND
- HPC HIGH PRESSURE CONTROL
- IBMDO INDOOR BLOWER MOTOR BELT DRIVE
- LAC LOW AMBIENT COOLING CONTROL
- LPC LOW PRESSURE CONTROL
- OFM OUTDOOR FAN MOTOR
- PL PLUS
- RC RUN CAPACITOR
- TB TERMINAL BLOCK (LOW VOLTAGE)
- TDC TIME DELAY CONTROL
- WN WIRE NUT

NOTES:

1. CONNECTORS SUITABLE FOR USE WITH COPPER CONDUCTORS ONLY.
2. COMPRESSOR MOTOR THERMALLY PROTECTED. ALL 3 PHASE MODELS ARE PROTECTED UNDER PRIMARY SINGLE PHASE CONDITIONS.
3. CONTROL TRANSFORMER PRIMARY LEADS:  
60 HZ. RED-COM., BLUE-208V., BLACK-230V., BLACK/RED-460V., BLACK/BLUE-575V. TRANSFORMER FACTORY WIRED FOR 230 VOLTS ON "J" & "C" MODELS. INTERCHANGE BLACK & BLUE LEADS FOR 208 VOLT OPERATION. 460 & 575 VOLT MODELS FACTORY WIRED FOR CORRECT VOLTAGE.
4. ORANGE-COMMON, BLUE-380V, BLACK-415V. CONTACTOR FACTORY WIRED. CONNECT FIELD WIRE TO FACTORY SUPPLIED PIGTAIL.
5. LOW VOLTAGE CIRCUIT IS N.E.C. CLASS 2 WITH A CLASS 2 TRANSFORMER, 24V.50/60 HZ SUPPLIED.
6. CONNECT FIELD WIRING IN GROUND RAIN TIGHT CONDUIT TO 60 HZ FUSED DISCONNECT.
7. MOTOR FACTORY WIRED FOR CORRECT SPEED.
8. SEE FUSE LABEL ON UNIT FUSE BOX FOR FUSE SIZING AND CLASSIFICATION.
9. WIRES FROM PL2 (6 & 9) GO TO THE MIXED AIR SENSOR ON THE OPTIONAL ECONOMIZER.
10. Y2 IS USED ONLY FOR THE OPTIONAL ECONOMIZER.

WIRING INFORMATION

LINE VOLTAGE  
 -FACTORY STANDARD  
 -FACTORY OPTION  
 -FIELD INSTALLED  
 LOW VOLTAGE  
 -FACTORY STANDARD  
 -FACTORY OPTION  
 -FIELD INSTALLED  
 REPLACEMENT WIRE  
 -MUST BE THE SAME SIZE AND TYPE OF INSULATION AS ORIGINAL (105 C.MIN.)  
 WARNING  
 -CABINET MUST BE PERMANENTLY GROUNDED AND CONFORM TO I.E.C., N.E.C., C.E.C., NATIONAL WIRING REGULATIONS, AND LOCAL CODES AS APPLICABLE.

WIRE COLOR CODE

- BK\_\_BLACK
- BR\_\_BROWN
- BL\_\_BLUE
- G\_\_GREEN
- GY\_\_GRAY
- O\_\_ORANGE
- PR\_\_PURPLE
- R\_\_RED
- W\_\_WHITE
- Y\_\_YELLOW

ELECTRICAL WIRING DIAGRAM

460V, 3 PHASE 60 HZ.  
 DIRECT DRIVE  
 PACKAGE AIR CONDITIONER