



RLNL-H

Parts List
06-March-2018



*This parts list is current as of the above revision date.
See <http://www.rheempartslists.net/92-42800-RLNL-H.pdf> for the current revision.*

Package Air Conditioners - Commercial

Table of Contents

| | |
|--|---------|
| Model Explanation | Page 3 |
| Parts Numbers | |
| Panels - Miscellaneous 090-151 (1) | Page 4 |
| Panels - Miscellaneous 090-151 (2) | Page 5 |
| Panels - Miscellaneous 180-300 (1) | Page 6 |
| Panels - Miscellaneous 180-300 (2) | Page 7 |
| Electrical Group 090-102 | Page 8 |
| Electrical Group 120-151 | Page 9 |
| Electrical Group 180-300 | Page 10 |
| Fan Group 090-151 | Page 12 |
| Fan Group 180-300 | Page 13 |
| Blower Group 090-151 | Page 14 |
| Blower Group 180-300 | Page 15 |
| Coil Parts 090-151 | Page 16 |
| Coil Parts 180-300 | Page 17 |
| Compressor Group 090-151 | Page 18 |
| Compressor Group 180-300 | Page 19 |
| Heater Kits | Page 20 |
| Accessories 090-151 | Page 21 |
| Accessories 180-300 | Page 22 |
| Drawings/Photographs | |
| Exploded View 090-151 | Page 23 |
| Exterior - Front 090-151 | Page 24 |
| Exterior - Back 090-151 | Page 24 |
| Filter-Coil Assembly 090-151 | Page 25 |
| Condenser Coil Assembly 090-151 | Page 25 |
| Front Panel Brackets 090-151 | Page 26 |
| Filter Frame Assembly 090-151 | Page 27 |
| Blower Assembly 090-151 | Page 27 |
| Control Box 090-151 | Page 28 |
| Low Voltage Shields 090-151 | Page 29 |
| Exterior - Front 180-300 | Page 30 |
| Exterior - Rear 180-300 | Page 30 |
| Base Pan Assembly 180-300 | Page 31 |
| Base Rail Assembly 180-300 | Page 31 |
| Front Panel Brackets 180-300 | Page 32 |
| Interior - Coil 180-300 | Page 32 |
| Heat Compartment 180-300 | Page 33 |
| Condenser Bulkhead 180-300 | Page 33 |
| Filter Frame Assembly 180-300 | Page 34 |
| Blower Assembly 180-300 | Page 34 |
| Control Box 180-300 | Page 35 |
| Electric Heat Block-Off 180-300 | Page 36 |
| Notes/Disclaimer | Page 37 |

MODEL NUMBER EXPLANATION

| | | | | | | | | | | | |
|----------|----------|----------|----------|----------|----------|------------|----------|----------|------------|-----------|----------|
| R | L | N | L | - | H | 090 | C | R | 000 | AA | B |
| 1 | 2 | 3 | 4 | | 5 | 6 | 7 | 8 | 9 | 10 | 11 |

- | | |
|--|--|
| <p>1 TRADE NAME</p> <p>2 L = PACKAGE AIR CONDITIONER Commercial</p> <p>3 EFFICIENCY DESIGNATION N = High Efficiency (EnergyStar Compliant)</p> <p>4 DESIGN SERIES L = R-410A</p> <p>5 TECHNICAL VARIATION H = DDC with VFD</p> <p>6 COOLING CAPACITY (BTUH) 090 = 90,000 102 = 102,000 120 = 120,000 151 = 150,000 180 = 180,000 210 = 210,000 240 = 240,000 300 = 300,000</p> <p>7 ELECTRICAL DESIGNATION C = 208-230/3/60 D = 460/3/60 Y = 575/3/60</p> | <p>8 DRIVE PACKAGE R = VFD-Belt Drive S = VFD-Belt Drive - High Static T = VFD-Belt Drive - High Static (090)</p> <p>9 ELECTRIC HEAT- (Resistance Heat) 000 = No Resistance Heat 010 = 10 kW Resistance Heat 015 = 15 kW Resistance Heat 020 = 20 kW Resistance Heat 030 = 30 kW Resistance Heat 040 = 40 kW Resistance Heat 050 = 50 kW Resistance Heat</p> <p>10 OPTION CODES AA = No Options</p> <p>11 ECONOMIZER OPTIONS A = No Economizer H = DDC Single Enthalpy Economizer with Barometric Relief</p> |
|--|--|

SERIAL NUMBER EXPLANATION

| | | | | |
|-------------|----------|-----------|-----------|--------------|
| 1234 | F | 50 | 08 | 00001 |
| 1 | 2 | 3 | 4 | 5 |

- | |
|---|
| <p>1 COMPRESSOR IDENTIFICATION NUMBER</p> <p>2 PRODUCTION LOCATION:</p> <p>3 WEEK OF PRODUCTION</p> <p>4 YEAR OF PRODUCTION</p> <p>5 PRODUCTION NUMBER</p> |
|---|

| No. | Notes | MODEL TECHNICAL VARIATION COOLING CAPACITY | RLNL- H 090 | RLNL- H 102 | RLNL- H 120 | RLNL- H 151 |
|--|-------|--|-------------------|-------------------|-------------------|-------------------|
| PANELS - RAILS, BASE PANS, INSIDE CABINET | | | | | | |
| BASE RAILS: | | | | | | |
| A | | Base Rail - Front | AE-90575-15 | AE-90575-15 | AE-90575-15 | AE-90575-15 |
| B | | Base Rail - Right | AE-90576-03 | AE-90576-03 | AE-90576-03 | AE-90576-03 |
| C | | Base Rail - Rear | AE-90575-04 | AE-90575-04 | AE-90575-04 | AE-90575-04 |
| D | | Base Rail - Left | AE-90576-04 | AE-90576-04 | AE-90576-04 | AE-90576-04 |
| BASE PANS: | | | | | | |
| E | | Outdoor Coil Base Pan | AS-90583-05H | AS-90583-05H | AS-90583-05H | AS-90577-14H |
| F | | Indoor Coil Base Pan | AS-90577-12 | AS-90577-12 | AS-90577-12 | AS-90577-12 |
| INSIDE CABINET: | | | | | | |
| G | | Entry Plate | AE-90614-02 | AE-90614-02 | AE-90614-02 | AE-90614-02 |
| H | | Entry Plate | AE-90614-01 | AE-90614-01 | AE-90614-01 | AE-90614-01 |
| J | | Heat Compartment Side | AE-90598-09 | AE-90598-09 | AE-90598-09 | AE-90598-09 |
| K | | Blower Deck | AS-90592-13 | AS-90592-13 | AS-90592-13 | AS-90592-13 |
| L | | Wireway | AE-90718-05 | AE-90718-05 | AE-90718-05 | AE-90718-05 |
| M | | Condenser Bulkhead | AS-90609-18 | AS-90609-18 | AS-90609-18 | AS-90609-23 |

| No. | Notes | MODEL TECHNICAL VARIATION COOLING CAPACITY | RLNL- H 090 | RLNL- H 102 | RLNL- H 120 | RLNL- H 151 |
|-----------------------|-------|---|-------------------|-------------------|-------------------|-------------------|
| PANELS - FRONT | | | | | | |
| 1 | | Control Box Door Assembly - w/Hinges, Latch, Gasket, Insulation | AS-102872-14H | AS-102872-14H | AS-102872-14H | AS-102872-14H |
| 2a | | Bracket - Top Panel (Left) | AS-102859-16H | AS-102859-16H | AS-102859-16H | AS-102859-16H |
| 2b | | Bracket - Top Panel (Center) | AS-102859-15H | AS-102859-15H | AS-102859-15H | AS-102859-15H |
| 2c | | Post - Blower Section | AS-102682-12H | AS-102682-12H | AS-102682-12H | AS-102682-12H |
| 3a | | Bracket - Bottom Panel (Left) | AS-102859-17H | AS-102859-17H | AS-102859-17H | AS-102859-17H |
| 3b | | Bracket - Blower/Heater Compartment | AS-102859-14H | AS-102859-14H | AS-102859-14H | AS-102859-14H |
| 3c | | Bracket - Bottom Panel (Right) | AS-102859-13H | AS-102859-13H | AS-102859-13H | AS-102859-13H |
| | | Latch Assembly - Control Box Door (2) | 64-103465-01 | 64-103465-01 | 64-103465-01 | 64-103465-01 |
| 4 | | Post Assembly - Indoor Coil Section | AS-90620-17H | AS-90620-17H | AS-90620-17H | AS-90620-17H |
| 5 | | Control Box Cover | AE-90713-02 | AE-90713-02 | AE-90713-02 | AE-90713-02 |
| 6 | | Control Mounting Plate | AE-90712-06 | AE-90712-06 | AE-90712-06 | AE-90712-06 |
| 7a | | Low Voltage Shield (Before F3512) - Upper Straight | AE-90742-08 | AE-90742-08 | AE-90742-08 | AE-90742-08 |
| 7a | | Low Voltage Shield (After F3512) - Upper Angled | AE-90742-12 | AE-90742-12 | AE-90742-12 | AE-90742-12 |
| 7b | | Low Voltage Shield (Before F3512) - Lower | AE-90742-03 | AE-90742-03 | AE-90742-03 | AE-90742-03 |
| 7b | | Low Voltage Shield (After F3512) - Lower | AE-90742-11 | AE-90742-11 | AE-90742-11 | AE-90742-11 |
| 7c | | Low Voltage Shield - Middle Strip | AE-90742-09 | AE-90742-09 | AE-90742-09 | AE-90742-09 |
| 8 | | Control Box Back Insulation Assembly | AS-90601-06 | AS-90601-06 | AS-90601-06 | AS-90601-06 |
| 9 | | Mounting Bracket | AE-90779-02 | AE-90779-02 | AE-90779-02 | AE-90779-02 |
| 10 | | Electric Heat Blockoff Plate Assembly (models with no heat) | AS-90720-02 | AS-90720-02 | AS-90720-02 | AS-90720-02 |
| 11 | | Terminal Block | | | | |
| 12 | | Electric Heat Access Panel Assembly - w/Hinges, Latch, Gasket, Insulation | AS-102872-18H | AS-102872-18H | AS-102872-18H | AS-102872-18H |
| | | Latch Assembly - Electric Heat Door (2) | 64-103465-01 | 64-103465-01 | 64-103465-01 | 64-103465-01 |
| 13 | | Power Entry Plate Assembly | AS-90774-11H | AS-90774-11H | AS-90774-11H | AS-90774-11H |
| 14 | | Blower Access Panel Assembly - w/Hinges, Latch, Gasket, Insulation | AS-102872-16H | AS-102872-16H | AS-102872-16H | AS-102872-16H |
| | | Latch Assembly - Blower Access Panel (3) | 64-103465-01 | 64-103465-01 | 64-103465-01 | 64-103465-01 |
| 16 | | Heat Mounting Frame Assembly | AS-90754-02 | AS-90754-02 | AS-90754-02 | AS-90754-02 |
| 17 | | Condenser Coil Access Panel-Front | AS-90631-09H | AS-90631-09H | AS-90631-09H | AS-90631-11H |
| 18 | | Front Corner Post | AS-90701-06H | AS-90701-06H | AS-90701-06H | AS-90701-05H |

| No. | Notes | MODEL TECHNICAL VARIATION COOLING CAPACITY | RLNL- H 090 | RLNL- H 102 | RLNL- H 120 | RLNL- H 151 |
|--|-------|--|---------------------|---------------------|---------------------|---------------------|
| PANELS - RIGHT, REAR AND LEFT SIDES | | | | | | |
| RIGHT: | | | | | | |
| 19 | | Air Stop | N/A | N/A | N/A | N/A |
| 20 | | Louver Panel Assembly | AS-90789-01H | AS-90789-01H | AS-90789-01H | AS-90789-03H |
| REAR: | | | | | | |
| 21 | | Rear Corner Post | AS-90702-03H | AS-90702-03H | AS-90702-03H | AS-90702-04H |
| 22 | | Condenser Coil Access Panel-Rear | AS-90631-05H | AS-90631-05H | AS-90631-05H | AS-90631-12H |
| 23 | | Rear Panel | AS-90618-02H | AS-90618-02H | AS-90618-02H | AS-90618-02H |
| 24 | | Supply Cover | AS-90626-02H | AS-90626-02H | AS-90626-02H | AS-90626-02H |
| 25 | | Return Cover | AS-90628-02H | AS-90628-02H | AS-90628-02H | AS-90628-02H |
| LEFT: | | | | | | |
| 26 | | Upper Left Panel | AS-90624-03H | AS-90624-03H | AS-90624-03H | AS-90624-03H |
| 27 | | Lower Left Panel | AS-90624-04H | AS-90624-04H | AS-90624-04H | AS-90624-04H |
| 28 | | Left Corner Panel | AS-90755-07H | AS-90755-07H | AS-90755-07H | AS-90755-07H |
| 29 | | Plate - Receptacle | AS-90756-02H | AS-90756-02H | AS-90756-02H | AS-90756-02H |
| 30 | | Plate - Disconnect | AS-90756-03H | AS-90756-03H | AS-90756-03H | AS-90756-03H |
| 31 | | Button Plug (2) | 45-22980-06 | 45-22980-06 | 45-22980-06 | 45-22980-06 |
| 32 | | Button Plug | 45-22980-05 | 45-22980-05 | 45-22980-05 | 45-22980-05 |
| TOP: | | | | | | |
| 33 | | Top Panel Assembly | AS-90616-06H | AS-90616-06H | AS-90616-06H | AS-90616-06H |
| 34 | | Condenser Top Panel | AS-90703-09H | AS-90703-09H | AS-90703-09H | AS-90703-08H |
| 35 | | Venturi | AS-90632-03H (2) | AS-90632-03H (2) | AS-90632-03H (2) | AS-90632-03H (2) |
| 36 | | Wire Grille | 95-100906-09 (2) | 95-100906-09 (2) | 95-100906-09 (2) | 95-100906-09 (2) |
| 43 | | Drain Pan - Removable | | | | |

| No. | Notes | MODEL TECHNICAL VARIATION COOLING CAPACITY | RLNL- H 180 | RLNL- H 210 | RLNL- H 240 | RLNL- H 300 |
|--|-------|--|-------------------|-------------------|-------------------|-------------------|
| PANELS - RAILS, BASE PANS, INSIDE CABINET | | | | | | |
| BASE RAILS: | | | | | | |
| A | | Front | AS-90827-03 | AS-90827-03 | AS-90827-03 | AS-90827-03 |
| B | | Right | AE-90576-06 | AE-90576-06 | AE-90576-06 | AE-90576-06 |
| C | | Rear | AS-90827-04 | AS-90827-04 | AS-90827-04 | AS-90827-04 |
| D | | Left | AE-90576-05 | AE-90576-05 | AE-90576-05 | AE-90576-05 |
| BASE PANS: | | | | | | |
| E | | Outdoor Base Pan | AS-90583-09H | AS-90583-09H | AS-90583-09H | AS-90583-09H |
| F | | Indoor Coil Base Pan - Return Air | AS-90577-09 | AS-90577-09 | AS-90577-09 | AS-90577-09 |
| G | | Indoor Coil Base Pan - Supply Air | AS-90577-10 | AS-90577-10 | AS-90577-10 | AS-90577-10 |
| INSIDE CABINET PANEL/PIECES: | | | | | | |
| H 1 | | Entry Plate | AE-90614-01 | AE-90614-01 | AE-90614-01 | AE-90614-01 |
| H 2 | | Entry Plate - Rooftop | AE-90614-02 | AE-90614-02 | AE-90614-02 | AE-90614-02 |
| I | | Post - Blower Section | AS-102682-07H | AS-102682-07H | AS-102682-07H | AS-102682-07H |
| J | | Heat Compartment Side | AE-90598-08 | AE-90598-08 | AE-90598-08 | AE-90598-08 |
| K | | Blower Deck Assembly | AS-90592-11 | AS-90592-11 | AS-90592-11 | AS-90592-11 |
| L | | Wireway | AE-90718-04 | AE-90718-04 | AE-90718-04 | AE-90718-04 |
| M | | Condenser Bulkhead | AS-90609-17 | AS-90609-17 | AS-90609-17 | AS-90609-17 |
| N | | Divider Panel - Between Coils | AE-90735-05 | AE-90735-05 | AE-90735-05 | AE-90735-05 |
| O | | Bulkhead Support | AE-102725-01 | AE-102725-01 | AE-102725-01 | AE-102725-01 |
| P | | Primary Drain Pan | AS-103030-02 | AS-103030-02 | AS-103030-02 | AS-103030-02 |
| | | Air Stop - Outdoor Coil- Front | AE-90706-13 | AE-90706-13 | AE-90706-13 | AE-90706-13 |
| | | Air Stop - Outdoor Coil- Rear | AE-90706-12 | AE-90706-12 | AE-90706-12 | AE-90706-12 |
| U | | Coil Support Top | AE-102700-03 | AE-102700-03 | AE-102700-03 | AE-102700-03 |

| No. | Notes | MODEL TECHNICAL VARIATION COOLING CAPACITY | RLNL- H 180 | RLNL- H 210 | RLNL- H 240 | RLNL- H 300 |
|---------------------------------------|-------|---|----------------------|-------------------|-------------------|-------------------|
| PANELS - FRONT AND RIGHT SIDES | | | | | | |
| 1 | | Control Box Door Assembly - w/Hinges, Latch, Gasket, Insulation | AS-102872-04H | AS-102872-04H | AS-102872-04H | AS-102872-04H |
| 2a | | Bracket - Top Panel (Left) | AS-102859-01H | AS-102859-01H | AS-102859-01H | AS-102859-01H |
| 2b | | Bracket - Top Panel (Center) | AS-102969-01H | AS-102969-01H | AS-102969-01H | AS-102969-01H |
| 2c | | Post - Blower Section | AS-102682-07H | AS-102682-07H | AS-102682-07H | AS-102682-07H |
| 3a | | Bracket - Bottom Panel (Left) | AS-102859-02H | AS-102859-02H | AS-102859-02H | AS-102859-02H |
| 3b | | Bracket - Blower/Heater Compartment | AS-102859-11H | AS-102859-11H | AS-102859-11H | AS-102859-11H |
| 3c | | Bracket - Bottom Panel (Right) | AS-102859-12H | AS-102859-12H | AS-102859-12H | AS-102859-12H |
| 4 | | Post Assembly - Indoor Coil Section | AS-90620-15H | AS-90620-15H | AS-90620-15H | AS-90620-15H |
| 5 | | Control Box Cover | AE-90713-05 | AE-90713-05 | AE-90713-05 | AE-90713-05 |
| 6 | | Control Mounting Panel | AE-90712-05 | AE-90712-05 | AE-90712-05 | AE-90712-05 |
| 7a | | Low Voltage Shield - Control Box (Upper Right) | AE-90742-07 | AE-90742-07 | AE-90742-07 | AE-90742-07 |
| 7b | | Low Voltage Shield - Control Box (Lower Left) | AE-90742-06 | AE-90742-06 | AE-90742-06 | AE-90742-06 |
| 7c | | Thermostat Chase Cover | AE-102722-01 | AE-102722-01 | AE-102722-01 | AE-102722-01 |
| 8 | | Control Box Back | AS-90601-05 | AS-90601-05 | AS-90601-05 | AS-90601-05 |
| 9 | | Mounting Bracket | AE-90779-02 | AE-90779-02 | AE-90779-02 | AE-90779-02 |
| 10 | | Electric Heat Blockoff Plate Assembly (models with no heat) | AS-90720-03 | AS-90720-03 | AS-90720-03 | AS-90720-03 |
| 11 | | Terminal Block - Heat Compartment | See Electrical Group | | | |
| 12 | | Electric Heat Access Panel Assembly - w/Hinges, Latch, Gasket, Insulation | AS-102872-06H | AS-102872-06H | AS-102872-06H | AS-102872-06H |
| 13 | | Power Entry Plate Assembly | AS-90774-13H | AS-90774-13H | AS-90774-13H | AS-90774-13H |
| 14 | | Blower Access Panel Assembly - w/Hinges, Latch, Gasket, Insulation | AS-102872-02H | AS-102872-02H | AS-102872-02H | AS-102872-02H |
| 15 | | Ground Lug - Heat Compartment | See Electrical Group | | | |
| 16 | | Mounting Frame - Heat Exchanger Frame | AS-90754-04 | AS-90754-04 | AS-90754-04 | AS-90754-04 |
| 17 | | Condenser Coil Access Panel-Front | AS-90734-08H | AS-90734-08H | AS-90734-08H | AS-90734-08H |
| 38c | | Post - Outdoor Coil (Front) | See Coil Group | | | |
| 39c | | Post - Outdoor Coil (Rear) | See Coil Group | | | |
| | | Louver Panel (Hail Guard) - Left | AS-90789-10H | AS-90789-10H | AS-90789-10H | AS-90789-10H |
| | | Louver Panel (Hail Guard) - Right | AS-90789-09H | AS-90789-09H | AS-90789-09H | AS-90789-09H |

| No. | Notes | MODEL TECHNICAL VARIATION COOLING CAPACITY | RLNL- H 180 | RLNL- H 210 | RLNL- H 240 | RLNL- H 300 |
|-------------------------------------|-------|--|---------------------|---------------------|---------------------|---------------------|
| PANELS - REAR, LEFT, AND TOP | | | | | | |
| REAR: | | | | | | |
| 22 | | Condenser Coil Access Panel-Rear | AS-90734-09H | AS-90734-09H | AS-90734-09H | AS-90734-09H |
| 23 | | Rear Panel - Right | AS-90618-08H | AS-90618-08H | AS-90618-08H | AS-90618-08H |
| 24 | | Supply Cover | AS-90628-03H | AS-90628-03H | AS-90628-03H | AS-90628-03H |
| 25 | | Return Cover | AS-90628-04H | AS-90628-04H | AS-90628-04H | AS-90628-04H |
| LEFT: | | | | | | |
| 26 | | Upper Left Panel | AS-90624-09H | AS-90624-09H | AS-90624-09H | AS-90624-09H |
| 27 | | Lower Left Panel | AS-90624-08H | AS-90624-08H | AS-90624-08H | AS-90624-08H |
| 28 | | Left Corner Panel Assembly | AS-90755-05H | AS-90755-05H | AS-90755-05H | AS-90755-05H |
| | | Bracket - Left Corner Panel Assembly (2) | AE-90779-01 | AE-90779-01 | AE-90779-01 | AE-90779-01 |
| | | Gasket for receptacle plate | 68-42514-08 | 68-42514-08 | 68-42514-08 | 68-42514-08 |
| | | Gasket for disconnect plate | 68-42514-09 | 68-42514-09 | 68-42514-09 | 68-42514-09 |
| 29 | | Plate - Install inside Panel-Receptacle | AS-90756-02H | AS-90756-02H | AS-90756-02H | AS-90756-02H |
| 30 | | Plate - Install inside Panel-Disconnect | AS-90756-03H | AS-90756-03H | AS-90756-03H | AS-90756-03H |
| 31 | | Button Plug (3) | 45-42558-01 | 45-42558-01 | 45-42558-01 | 45-42558-01 |
| 32 | | Star Bushing (3) | 45-18515-01 | 45-18515-01 | 45-18515-01 | 45-18515-01 |
| TOP: | | | | | | |
| 33a | | Top Panel Assembly - Right | AS-90616-04H | AS-90616-04H | AS-90616-04H | AS-90616-04H |
| 33b | | Top Panel Assembly - Left | AS-90616-05H | AS-90616-05H | AS-90616-05H | AS-90616-05H |
| 34a | | Top Panel - Front | AS-90633-10H | AS-90633-10H | AS-90633-10H | AS-90633-10H |
| 34b | | Top Panel - Middle | AS-90633-12H | AS-90633-12H | AS-90633-11H | AS-90633-11H |
| 34c | | Top Panel - Rear | AS-90633-09H | AS-90633-09H | AS-90633-09H | AS-90633-09H |
| 35 | | Venturi | AS-90632-03H (4) | AS-90632-03H (4) | AS-90632-03H (4) | AS-90632-03H (4) |
| 36 | | Wire Grille | 95-100906-09 (4) | 95-100906-09 (4) | 95-100906-09 (6) | 95-100906-09 (6) |
| 43 | | Drain Pan - Removable | See Coil Group | | | |

| No. | Notes | MODEL TECHNICAL VARIATION COOLING CAPACITY ELECTRICAL DESIGNATION | RLNL- H 090 C | RLNL- H 090 D | RLNL- H 102 C | RLNL- H 102 D |
|--------------------------------|-------|--|------------------------|------------------------|------------------------|------------------------|
| ELECTRIC GROUP | | | | | | |
| 11 | | Terminal Block | 45-41669-01 | 45-41669-01 | 45-41669-01 | 45-41669-01 |
| | | Outlet Box | 45-41952-02 | 45-41952-02 | 45-41952-02 | 45-41952-02 |
| | | Receptacle Cover | 45-41953-02 | 45-41953-02 | 45-41953-02 | 45-41953-02 |
| | | Receptacle - Ground Fault | 45-41954-01 | 45-41954-01 | 45-41954-01 | 45-41954-01 |
| CONTROL BOX COMPONENTS: | | | | | | |
| 57 | Stk | Transformer - Control | 46-42515-04 | 46-42515-05 | 46-42515-04 | 46-42515-05 |
| 58a | | Double Row Terminal Block | 45-42548-02 | 45-42548-02 | 45-42548-02 | 45-42548-02 |
| 58b | Stk | Relay - Blower | 42-21571-08 | 42-21571-08 | 42-21571-08 | 42-21571-08 |
| 58c | | Ground Lug | 45-19000-02 | 45-19000-02 | 45-19000-02 | 45-19000-02 |
| 59 | Stk | Blower Relay | 42-21571-08 | 42-21571-08 | 42-21571-08 | 42-21571-08 |
| | | Pressure Switch Assembly - (Clogged Filter and Fan Proving) | 42-103320-27 | 42-103320-27 | 42-103320-27 | 42-103320-27 |
| | | Comfort Alert (2) | 42-101504-03 | 42-101504-03 | 42-101504-03 | 42-101504-03 |
| | | Low Ambient Control Assembly (2) | AS-103034-01 | AS-103034-01 | AS-103034-01 | AS-103034-01 |
| 60 | | Capacitor - Fan Motor | See Fan Group | | | |
| | | High Pressure Control | See Coil Group | | | |
| | | Low Pressure Control | See Coil Group | | | |
| 61b | | Unit Controller (RTU-C) | 47-102883-02 | 47-102883-02 | 47-102883-02 | 47-102883-02 |
| 61c | | Variable Frequency Drive (VFD) - Drive Package R | 47-104280-01 | 47-104285-01 | 47-104280-01 | 47-104285-01 |
| 61c | | Variable Frequency Drive (VFD) - Drive Package S | 47-104280-01 | 47-104285-01 | 47-104281-01 | 47-104286-01 |
| 61c | | Variable Frequency Drive (VFD) - Drive Package T | 47-104281-01 | 47-104286-01 | N/A | N/A |
| 62a | Stk | Compressor Contactor | 42-102664-08 | 42-102664-08 | 42-102664-08 | 42-102664-08 |
| 62b | Stk | Compressor Contactor | 42-102664-08 | 42-102664-08 | 42-102664-08 | 42-102664-08 |
| WIRING HARNESES: | | | | | | |
| | | Wiring Harness - Motor #1 | See Fan Group | | | |
| | | Wiring Harness - Motor #2 | See Fan Group | | | |
| | | Wiring Harness - 8 Pin to (4 Connectors and 2 Temperature Sensors) - See Note 1 | 45-42522-98 | 45-42522-98 | 45-42522-98 | 45-42522-98 |
| | | Wiring Harness - Twist-Loc (12 Pin and 4 Pin) to 9 Pin | 45-42522-100 | 45-42522-100 | 45-42522-100 | 45-42522-100 |
| | | Jumper - 7 Pin Connector | 45-42522-104 | 45-42522-104 | 45-42522-104 | 45-42522-104 |
| | | Wiring Harness - 4 Pin to Variable Frequency Drive (VFD) | 45-42522-120 | 45-42522-120 | 45-42522-120 | 45-42522-120 |
| | | Wiring Harness - Compressor Control (14 Pin to Four 2 Pin Connectors and Three Temperature Sensors) - See Note 1 | 45-42522-99 | 45-42522-99 | 45-42522-99 | 45-42522-99 |
| | | Plug Harness - Compressor | See Compressor Group | | | |
| | | Wirng Harness - Main Power | 45-42522-09 | 45-42522-09 | 45-42522-09 | 45-42522-09 |
| | | Bypass Plug - Economizer 12 Pin | AS-61997-55 | AS-61997-55 | AS-61997-55 | AS-61997-55 |
| | | Wiring Harness - 6 Pin to Heater Kit | 45-102706-09 | 45-102706-09 | 45-102706-09 | 45-102706-09 |

| No. | Notes | MODEL TECHNICAL VARIATION COOLING CAPACITY ELECTRICAL DESIGNATION | RLNL- H 120 C | RLNL- H 120 D | RLNL- H 151 C | RLNL- H 151 D |
|--------------------------------|-------|--|------------------------|------------------------|------------------------|------------------------|
| ELECTRIC GROUP | | | | | | |
| 11 | | Terminal Block | 45-41669-01 | 45-41669-01 | 45-41669-01 | 45-41669-01 |
| | | Outlet Box | 45-41952-02 | 45-41952-02 | 45-41952-02 | 45-41952-02 |
| | | Receptacle Cover | 45-41953-02 | 45-41953-02 | 45-41953-02 | 45-41953-02 |
| | | Receptacle - Ground Fault | 45-41954-01 | 45-41954-01 | 45-41954-01 | 45-41954-01 |
| CONTROL BOX COMPONENTS: | | | | | | |
| 57 | Stk | Transformer - Control | 46-42515-04 | 46-42515-05 | 46-42515-04 | 46-42515-05 |
| 58a | | Double Row Terminal Block | 45-42548-02 | 45-42548-02 | 45-42548-02 | 45-42548-02 |
| 58b | Stk | Relay - Blower | 42-21571-08 | 42-21571-08 | 42-21571-08 | 42-21571-08 |
| 58c | | Ground Lug | 45-19000-02 | 45-19000-02 | 45-19000-02 | 45-19000-02 |
| 59 | Stk | Blower Relay | 42-21571-08 | 42-21571-08 | 42-21571-08 | 42-21571-08 |
| | | Pressure Switch Assembly - (Clogged Filter and Fan Proving) | 42-103320-27 | 42-103320-27 | 42-103320-27 | 42-103320-27 |
| | | Comfort Alert (2) | 42-101504-03 | 42-101504-03 | 42-101504-03 | 42-101504-03 |
| | | Low Ambient Control Assembly (2) | AS-103034-01 | AS-103034-01 | AS-103034-01 | AS-103034-01 |
| 60 | | Capacitor - Fan Motor | See Fan Group | | | |
| | | High Pressure Control | See Coil Group | | | |
| | | Low Pressure Control | See Coil Group | | | |
| 61b | | Unit Controller (RTU-C) | 47-102883-02 | 47-102883-02 | 47-102883-02 | 47-102883-02 |
| 61c | | Variable Frequency Drive (VFD) - Drive Package R | 47-104280-01 | 47-104285-01 | 47-104281-01 | 47-104286-01 |
| 61c | | Variable Frequency Drive (VFD) - Drive Package S | 47-104281-01 | 47-104286-01 | 47-104282-01 | 47-104287-01 |
| 62 | Stk | Compressor Contactor | 42-22464-01 | 42-22464-01 | 42-22464-01 | 42-22464-01 |
| WIRING HARNESES: | | | | | | |
| | | Wiring Harness - Motor #1 | See Fan Group | | | |
| | | Wiring Harness - Motor #2 | See Fan Group | | | |
| | | Wiring Harness - 8 Pin to (4 Connectors and 2 Temperature Sensors) - See Note 1 | 45-42522-98 | 45-42522-98 | 45-42522-98 | 45-42522-98 |
| | | Wiring Harness - Twist-Loc (12 Pin and 4 Pin) to 9 Pin | 45-42522-100 | 45-42522-100 | 45-42522-100 | 45-42522-100 |
| | | Jumper - 7 Pin Connector | 45-42522-104 | 45-42522-104 | 45-42522-104 | 45-42522-104 |
| | | Wiring Harness - Compressor Control (14 Pin to Four 2 Pin Connectors and Three Temperature Sensors) - See Note 1 | 45-42522-99 | 45-42522-99 | 45-42522-99 | 45-42522-99 |
| | | Plug Harness - Compressor | See Compressor Group | | | |
| | | Wirng Harness - Main Power | 45-42522-09 | 45-42522-09 | 45-42522-09 | 45-42522-09 |
| | | Bypass Plug - Economizer 12 Pin | AS-61997-55 | AS-61997-55 | AS-61997-55 | AS-61997-55 |
| | | Wiring Harness - 6 Pin to Heater Kit | 45-102706-09 | 45-102706-09 | 45-102706-09 | 45-102706-09 |

| No. | Notes | MODEL TECHNICAL VARIATION COOLING CAPACITY ELECTRICAL DESIGNATION | RLNL- | RLNL- | RLNL- | RLNL- |
|--------------------------------|-------|---|----------------------|---------------|---------------|---------------|
| | | | H 180 C | H 210 C | H 240 C | H 300 C |
| ELECTRIC GROUP | | | | | | |
| 11 | | Terminal Block - Heater Compartment | 45-21134-04 | 45-21134-04 | 45-21134-04 | 45-21134-04 |
| 15 | | Ground Lug - Heater Compartment | 45-19000-02 | 45-19000-02 | 45-19000-02 | 45-19000-02 |
| CONTROL BOX COMPONENTS: | | | | | | |
| 57a | Stk | Transformer - Control | 46-42515-04 | 46-42515-04 | 46-42515-04 | 46-42515-04 |
| 58a | | Terminal Block - Double Row | 45-42548-02 | 45-42548-02 | 45-42548-02 | 45-42548-02 |
| 58b | | Terminal Block | 45-21134-04 | 45-21134-04 | 45-21134-04 | 45-21134-04 |
| 58c | | Ground Lug | 45-19000-02 | 45-19000-02 | 45-19000-02 | 45-19000-02 |
| 58b | | Terminal Block - Power Block | 45-41765-01 | 45-41765-01 | 45-41765-01 | 45-41765-01 |
| 59 | Stk | Blower Relay | 42-21571-08 | 42-21571-08 | 42-21571-08 | 42-21571-08 |
| | | Pressure Switch Assembly - (Clogged Filter and Fan Proving) | 42-103320-27 | 42-103320-27 | 42-103320-27 | 42-103320-27 |
| | | Low Ambient Control Assembly (2) | AS-103034-01 | AS-103034-01 | AS-103034-01 | AS-103034-01 |
| | | Outlet Box | 45-41952-02 | 45-41952-02 | 45-41952-02 | 45-41952-02 |
| | | Cover - Receptacle | 45-41953-02 | 45-41953-02 | 45-41953-02 | 45-41953-02 |
| | | Receptacle/Ground Fault | 45-41954-01 | 45-41954-01 | 45-41954-01 | 45-41954-01 |
| 60 | | Run Capacitor | See Fan Group | | | |
| | | High Pressure Control | See Coil Group | | | |
| | | Low Pressure Control | See Coil Group | | | |
| 61b | | Unit Controller (RTU-C) | 47-102883-02 | 47-102883-02 | 47-102883-02 | 47-102883-02 |
| 61c | | Variable Frequency Drive (VFD) - Drive Package R | 47-104281-01 | 47-104281-01 | 47-104281-01 | 47-104281-01 |
| 61c | | Variable Frequency Drive (VFD) - Drive Package S | 47-104282-01 | 47-104282-01 | 47-104282-01 | 47-104282-01 |
| 62a | Stk | Compressor Contactor | 42-102664-12 | 42-102664-12 | 42-102664-12 | 42-22464-04 |
| 62b | Stk | Compressor Contactor | 42-102664-12 | 42-102664-12 | 42-102664-12 | 42-22464-04 |
| 62c | | Comfort Alert (2) | 42-101504-03 | 42-101504-03 | 42-101504-03 | 42-101504-03 |
| WIRING HARNESES: | | | | | | |
| | | Wiring Harness - Motor #1 | See Fan Group | | | |
| | | Wiring Harness - Motor #2 | See Fan Group | | | |
| | | Plug Harness - Compressor | See Compressor Group | | | |
| | | Wiring Harness - Main Power | 45-42522-92 | 45-42522-92 | 45-42522-92 | 45-42522-92 |
| | | Bypass Plug - Economizer 12 Pin | AS-61997-55 | AS-61997-55 | AS-61997-55 | AS-61997-55 |
| | | Wiring Harness - 6 Pin to Heater Kit | 45-42522-91 | 45-42522-91 | 45-42522-91 | 45-42522-91 |
| | | Wiring Harness - Economizer (12 pin and 4 pin to 9 pin) | 45-42522-93 | 45-42522-93 | 45-42522-93 | 45-42522-93 |
| | | Wire Harness Assembly - Compressor Control (14 pin to 3 Temperature Sensors and 4 Connectors) | 45-42522-78 | 45-42522-78 | 45-42522-78 | 45-42522-78 |

| No. | Notes | MODEL TECHNICAL VARIATION COOLING CAPACITY ELECTRICAL DESIGNATION | RLNL- | RLNL- | RLNL- | RLNL- |
|--------------------------------|-------|--|----------------------|---------------|---------------|---------------|
| | | | H 180 D | H 210 D | H 240 D | H 300 D |
| ELECTRIC GROUP | | | | | | |
| 11 | | Terminal Block - Heater Compartment | 45-21134-04 | 45-21134-04 | 45-21134-04 | 45-21134-04 |
| 15 | | Ground Lug - Heater Compartment | 45-19000-02 | 45-19000-02 | 45-19000-02 | 45-19000-02 |
| CONTROL BOX COMPONENTS: | | | | | | |
| 57a | Stk | Transformer - Control | 46-42515-05 | 46-42515-05 | 46-42515-05 | 46-42515-05 |
| 58a | | Terminal Block - Double Row | 45-42548-02 | 45-42548-02 | 45-42548-02 | 45-42548-02 |
| 58b | | Terminal Block | 45-21134-04 | 45-21134-04 | 45-21134-04 | 45-21134-04 |
| 58c | | Ground Lug | 45-19000-02 | 45-19000-02 | 45-19000-02 | 45-19000-02 |
| 58b | | Terminal Block - Power Block | 45-41765-01 | 45-41765-01 | 45-41765-01 | 45-41765-01 |
| 59 | Stk | Blower Relay | 42-21571-08 | 42-21571-08 | 42-21571-08 | 42-21571-08 |
| | | Pressure Switch Assembly - (Clogged Filter and Fan Proving) | 42-103320-27 | 42-103320-27 | 42-103320-27 | 42-103320-27 |
| | | Comfort Alert (2) | 42-101504-03 | 42-101504-03 | 42-101504-03 | 42-101504-03 |
| | | Low Ambient Control Assembly (2) | AS-103034-01 | AS-103034-01 | AS-103034-01 | AS-103034-01 |
| | | Outlet Box | 45-41952-02 | 45-41952-02 | 45-41952-02 | 45-41952-02 |
| | | Cover - Receptacle | 45-41953-02 | 45-41953-02 | 45-41953-02 | 45-41953-02 |
| | | Receptacle/Ground Fault | 45-41954-01 | 45-41954-01 | 45-41954-01 | 45-41954-01 |
| 60 | | Run Capacitor | See Fan Group | | | |
| | | High Pressure Control | See Coil Group | | | |
| | | Low Pressure Control | See Coil Group | | | |
| 61b | | Unit Controller (RTU-C) | 47-102883-02 | 47-102883-02 | 47-102883-02 | 47-102883-02 |
| 61c | | Variable Frequency Drive (VFD) - Drive Package R | 47-104286-01 | 47-104286-01 | 47-104286-01 | 47-104286-01 |
| 61c | | Variable Frequency Drive (VFD) - Drive Package S | 47-104287-01 | 47-104287-01 | 47-104287-01 | 47-104287-01 |
| 62 | Stk | Compressor Contactor (2) | 42-102664-12 | 42-102664-12 | 42-102664-12 | 42-22464-04 |
| WIRING HARNESES: | | | | | | |
| | | Wiring Harness - Motor #1 | See Fan Group | | | |
| | | Wiring Harness - Motor #2 | See Fan Group | | | |
| | | Plug Harness - Compressor | See Compressor Group | | | |
| | | Wiring Harness - Main Power | 45-42522-92 | 45-42522-92 | 45-42522-92 | 45-42522-92 |
| | | Bypass Plug - Economizer 12 Pin | AS-61997-55 | AS-61997-55 | AS-61997-55 | AS-61997-55 |
| | | Wiring Harness - 6 Pin to Heater Kit | 45-42522-91 | 45-42522-91 | 45-42522-91 | 45-42522-91 |
| | | Wiring Harness - Economizer (12 pin and 4 pin to 9 pin) | 45-42522-93 | 45-42522-93 | 45-42522-93 | 45-42522-93 |

06-March-2018

92-42800-RLNL-H

| | | | | | |
|--|--|-------------|-------------|-------------|-------------|
| | Wire Harness Assembly - Compressor Control (14 pin to 3 Temperature Sensors and 4 Connectors) - See Note 1 | 45-42522-78 | 45-42522-78 | 45-42522-78 | 45-42522-78 |
|--|--|-------------|-------------|-------------|-------------|

| No. | Notes | MODEL TECHNICAL VARIATION COOLING CAPACITY ELECTRICAL DESIGNATION | RLNL- | RLNL- | RLNL- | RLNL- |
|-----------------------|-------|--|---------------|---------------|---------------|---------------|
| | | | H 090 C | H 090 D | H 102 C | H 102 D |
| ELECTRIC GROUP | | | | | | |
| 52 | Stk | Fan Motor (2) | 51-42534-24 | 51-42534-25 | 51-42534-24 | 51-42534-25 |
| | | Wiring Harness - Motor #1 (7 wire) | 45-102706-01 | 45-102706-01 | 45-102706-01 | 45-102706-01 |
| | | Wiring Harness - Motor #2 (5 wire) | 45-102706-02 | 45-102706-02 | 45-102706-02 | 45-102706-02 |
| 53 | Stk | Fan Blade (2) | 70-42572-04 | 70-42572-04 | 70-42572-04 | 70-42572-04 |
| 60 | Stk | Capacitor - Fan Motor (2) | 43-100496-12 | 43-100496-12 | 43-100496-12 | 43-100496-12 |

| No. | Notes | MODEL TECHNICAL VARIATION COOLING CAPACITY ELECTRICAL DESIGNATION | RLNL- | RLNL- | RLNL- | RLNL- |
|-----------------------|-------|--|---------------|---------------|---------------|---------------|
| | | | H 120 C | H 120 D | H 151 C | H 151 D |
| ELECTRIC GROUP | | | | | | |
| 52 | Stk | Fan Motor (2) | 51-42534-24 | 51-42534-25 | 51-42534-29 | 51-42534-28 |
| | | Wiring Harness - Motor #1 (7 wire) | 45-102706-01 | 45-102706-01 | 45-102706-03 | 45-102706-03 |
| | | Wiring Harness - Motor #2 (5 wire) | 45-102706-02 | 45-102706-02 | 45-102706-04 | 45-102706-04 |
| 53 | Stk | Fan Blade (2) | 70-42572-04 | 70-42572-04 | 70-103693-01 | 70-103693-01 |
| 60 | Stk | Capacitor - Fan Motor (2) | 43-100496-12 | 43-100496-12 | 43-100496-17 | 43-100496-12 |

| No. | Notes | MODEL TECHNICAL VARIATION COOLING CAPACITY ELECTRICAL DESIGNATION | RLNL- H 180 C | RLNL- H 210 C | RLNL- H 240 C | RLNL- H 300 C |
|------------------|-------|--|------------------------|------------------------|------------------------|------------------------|
| FAN GROUP | | | | | | |
| 52 | Stk | Fan Motor | 51-42534-24 (4) | 51-42534-24 (4) | 51-42534-24 (6) | 51-42534-24 (6) |
| | | Wiring Harness - Motor #1 & #4 | 45-42522-71 | 45-42522-71 | 45-42522-71 | 45-42522-71 |
| | | Wiring Harness - Motor #2 & #5 | N/A | N/A | 45-42522-70 | 45-42522-70 |
| | | Wiring Harness - Motor #3 & #6 | 45-42522-69 | 45-42522-69 | 45-42522-69 | 45-42522-69 |
| 53 | Stk | Fan Blade | 70-42572-04 (4) | 70-42572-04 (4) | 70-42572-04 (6) | 70-42572-04 (6) |
| 60 | Stk | Capacitor - Fan Motor | 43-100496-12 (4) | 43-100496-12 (4) | 43-100496-12 (6) | 43-100496-12 (6) |

| No. | Notes | MODEL TECHNICAL VARIATION COOLING CAPACITY ELECTRICAL DESIGNATION | RLNL- H 180 D | RLNL- H 210 D | RLNL- H 240 D | RLNL- H 300 D |
|------------------|-------|--|------------------------|------------------------|------------------------|------------------------|
| FAN GROUP | | | | | | |
| 52 | Stk | Fan Motor | 51-42534-25 (4) | 51-42534-25 (4) | 51-42534-25 (6) | 51-42534-25 (6) |
| | | Wiring Harness - Motor #1 & #4 | 45-42522-71 | 45-42522-71 | 45-42522-71 | 45-42522-71 |
| | | Wiring Harness - Motor #2 & #5 | N/A | N/A | 45-42522-70 | 45-42522-70 |
| | | Wiring Harness - Motor #3 & #6 | 45-42522-69 | 45-42522-69 | 45-42522-69 | 45-42522-69 |
| 53 | Stk | Fan Blade | 70-42572-04 (4) | 70-42572-04 (4) | 70-42572-04 (6) | 70-42572-04 (6) |
| 60 | Stk | Capacitor - Fan Motor | 43-100496-12 (4) | 43-100496-12 (4) | 43-100496-12 (6) | 43-100496-12 (6) |

| No. | Notes | MODEL TECHNICAL VARIATION COOLING CAPACITY DRIVE PACKAGE | RLNL- H 090 R | RLNL- H 090 S | RLNL- H 090 T | RLNL- H 102 R | RLNL- H 102 S |
|---|-------|---|------------------------|------------------------|------------------------|------------------------|------------------------|
| BLOWER ASSEMBLY GROUP - BELT DRIVE | | | | | | | |
| 64 | Stk | Blower Assembly (Includes Items 65-68) | AS-90757-01 | AS-90757-01 | AS-90757-01 | AS-90757-01 | AS-90757-01 |
| 65 | Stk | Blower Wheel | 70-42540-02 | 70-42540-02 | 70-42540-02 | 70-42540-02 | 70-42540-02 |
| 66 | | Bearing Frame Tri-Arm (2) | 70-42540-05 | 70-42540-05 | 70-42540-05 | 70-42540-05 | 70-42540-05 |
| 67 | | Bearing with Bearing Lock (2) | 70-41854-02 | 70-41854-02 | 70-41854-02 | 70-41854-02 | 70-41854-02 |
| 68 | Stk | Blower Shaft | 70-42540-04 | 70-42540-04 | 70-42540-04 | 70-42540-04 | 70-42540-04 |
| 69 | | Blower Mounting Angles (2) | AE-90708-01 | AE-90708-01 | AE-90708-01 | AE-90708-01 | AE-90708-01 |
| | | Blower Angle Stop | AE-90709-02 | AE-90709-02 | AE-90709-02 | AE-90709-02 | AE-90709-02 |
| 70 | | Motor Mount | AE-90710-04 | AE-90710-04 | AE-90710-04 | AE-90710-04 | AE-90710-04 |
| 71 | Stk | Blower Motor (C/D Voltages) | 51-102826-14 | 51-102826-14 | 51-102826-15 | 51-102826-14 | 51-102826-15 |
| 72 | Stk | Variable Sheave | 71-42538-02 | 71-42538-02 | 71-42538-02 | 71-42538-02 | 71-42538-02 |
| 73 | Stk | Belt | 71-40438-30 | 71-40438-27 | 71-40438-23 | 71-40438-27 | 71-40438-23 |
| 74 | Stk | Fixed Sheave | 71-100774-05 | 71-100774-02 | 71-100774-04 | 71-100774-02 | 71-100774-04 |
| | | Key | 94-42551-09 | 94-42551-09 | 94-42551-09 | 94-42551-09 | 94-42551-09 |
| | Stk | Bushing for Sheave w/Screws | 71-100773-01 | 71-100773-01 | 71-100773-01 | 71-100773-01 | 71-100773-01 |

| No. | Notes | MODEL TECHNICAL VARIATION COOLING CAPACITY DRIVE PACKAGE | RLNL- H 120 R | RLNL- H 120 S | RLNL- H 151 R | RLNL- H 151 S | |
|---|-------|---|------------------------|------------------------|------------------------|------------------------|--|
| BLOWER ASSEMBLY GROUP - BELT DRIVE | | | | | | | |
| 64 | Stk | Blower Assembly (Includes Items 65-68) | AS-90757-01 | AS-90757-01 | AS-90757-01 | AS-90757-01 | |
| 65 | Stk | Blower Wheel | 70-42540-02 | 70-42540-02 | 70-42540-02 | 70-42540-02 | |
| 66 | | Bearing Frame Tri-Arm (2) | 70-42540-05 | 70-42540-05 | 70-42540-05 | 70-42540-05 | |
| 67 | | Bearing with Bearing Lock (2) | 70-41854-02 | 70-41854-02 | 70-41854-02 | 70-41854-02 | |
| 68 | Stk | Blower Shaft | 70-42540-04 | 70-42540-04 | 70-42540-04 | 70-42540-04 | |
| 69 | | Blower Mounting Angles (2) | AE-90708-01 | AE-90708-01 | AE-90708-01 | AE-90708-01 | |
| | | Blower Angle Stop | AE-90709-02 | AE-90709-02 | AE-90709-02 | AE-90709-02 | |
| 70 | | Motor Mount | AE-90710-04 | AE-90710-04 | AE-90710-04 | AE-90710-04 | |
| 71 | Stk | Blower Motor (C/D Voltages) | 51-102826-14 | 51-102826-15 | 51-102826-15 | 51-102826-06 | |
| 72 | Stk | Variable Sheave | 71-42538-02 | 71-42538-02 | 71-42538-02 | 71-40427-11 | |
| 73 | Stk | Belt | 71-40438-27 | 71-40438-23 | 71-40438-23 | 71-40438-31 | |
| 74 | Stk | Fixed Sheave | 71-100774-02 | 71-100774-04 | 71-100774-01 | 71-26254-06 | |
| | | Key | 94-42551-09 | 94-42551-09 | 94-42551-09 | 94-42551-09 | |
| | Stk | Bushing for Sheave w/Screws | 71-100773-01 | 71-100773-01 | 71-100773-01 | 71-100773-01 | |

| No. | Notes | MODEL TECHNICAL VARIATION COOLING CAPACITY DRIVE PACKAGE | RLNL- H 180 R | RLNL- H 210 R | RLNL- H 240 R | RLNL- H 300 R |
|---|-------|---|------------------------|------------------------|------------------------|------------------------|
| BLOWER ASSEMBLY GROUP - BELT DRIVE | | | | | | |
| 64 | Stk | Blower Assembly (2) - Includes Items 65 and 66 | AS-90757-06 | AS-90757-06 | AS-90757-06 | AS-90757-06 |
| 65 | Stk | Blower Wheel (2) | 70-42564-02 | 70-42564-02 | 70-42564-02 | 70-42564-02 |
| 66 | | Bearing Frame Tri-Arm (4) | 70-42284-04 | 70-42284-04 | 70-42284-04 | 70-42284-04 |
| 67 | | Bearing with Bearing Lock (4) | 70-41854-02 | 70-41854-02 | 70-41854-02 | 70-41854-02 |
| 68 | Stk | Blower Shaft | 70-42564-03 | 70-42564-03 | 70-42564-03 | 70-42564-03 |
| 69 | | Blower Connector Angles (3) | AE-90798-01 | AE-90798-01 | AE-90798-01 | AE-90798-01 |
| 70 | | Motor Mount | AE-90710-03 | AE-90710-03 | AE-90710-03 | AE-90710-03 |
| 71 | Stk | Blower Motor - C/D Voltages | 51-102826-15 | 51-102826-15 | 51-102826-06 | 51-102826-07 |
| 72 | Stk | Variable Sheave | 71-42538-02 | 71-42538-02 | 71-40427-04 | 71-40427-59 |
| 73 | Stk | Belt | 71-40438-43 | 71-40438-42 | 71-40438-51 | 71-40438-54 |
| 74a | Stk | Fixed Sheave | 71-100774-08 | 71-100774-09 | 71-100774-06 | 71-100774-06 |
| 74b | | Key | 94-42551-09 | 94-42551-09 | 94-42551-09 | 94-42551-09 |
| 74c | Stk | Bushing for Sheave w/Screws | 71-100773-01 | 71-100773-01 | 71-100773-01 | 71-100773-01 |

| No. | Notes | MODEL TECHNICAL VARIATION COOLING CAPACITY DRIVE PACKAGE | RLNL- H 180 S | RLNL- H 210 S | RLNL- H 240 S | RLNL- H 300 S |
|---|-------|---|------------------------|------------------------|------------------------|------------------------|
| BLOWER ASSEMBLY GROUP - BELT DRIVE | | | | | | |
| 64 | Stk | Blower Assembly (2) - Includes Items 65 and 66 | AS-90757-06 | AS-90757-06 | AS-90757-06 | AS-90757-06 |
| 65 | Stk | Blower Wheel (2) | 70-42564-02 | 70-42564-02 | 70-42564-02 | 70-42564-02 |
| 66 | | Bearing Frame Tri-Arm (4) | 70-42284-04 | 70-42284-04 | 70-42284-04 | 70-42284-04 |
| 67 | | Bearing with Bearing Lock (4) | 70-41854-02 | 70-41854-02 | 70-41854-02 | 70-41854-02 |
| 68 | Stk | Blower Shaft | 70-42564-03 | 70-42564-03 | 70-42564-03 | 70-42564-03 |
| 69 | | Blower Connector Angles (3) | AE-90798-01 | AE-90798-01 | AE-90798-01 | AE-90798-01 |
| 70 | | Motor Mount | AE-90710-03 | AE-90710-03 | AE-90710-03 | AE-90710-03 |
| 71 | Stk | Blower Motor - C/D Voltages | 51-102826-06 | 51-102826-06 | 51-102826-07 | 51-102826-10 |
| 72 | Stk | Variable Sheave | 71-40427-04 | 71-40427-04 | 71-40427-59 | 71-40427-60 |
| 73 | Stk | Belt | 71-40438-46 | 71-40438-46 | 71-40438-54 | 71-102847-01 |
| 74a | Stk | Fixed Sheave | 71-100774-08 | 71-100774-08 | 71-100774-06 | 71-100774-07 |
| 74b | | Key | 94-42551-09 | 94-42551-09 | 94-42551-09 | 94-42551-09 |
| 74c | Stk | Bushing for Sheave w/Screws | 71-100773-01 | 71-100773-01 | 71-100773-01 | 71-100773-01 |

| No. | Notes | MODEL TECHNICAL VARIATION COOLING CAPACITY | RLNL- H 090 | RLNL- H 102 | RLNL- H 120 | RLNL- H 151 |
|-------------------------|-------|--|-------------------------|-------------------------|-------------------------|---------------------|
| COIL GROUP | | | | | | |
| EVAPORATOR COIL: | | | | | | |
| 42 | Stk | Evaporator Coil | AS-90656-68 | AS-90656-77 | AS-90656-69 | AS-90656-75 |
| | Stk | TXV - Circuit #1 (Before Date Code Fxxxx indicated) | 61-101351-11 (F1114) | 61-101351-12 (F1514) | 61-101351-13 (F0514) | 61-101351-14 |
| | Stk | TXV - Circuit #1 (On or After Date Code Fxxxx indicated) | 61-42662-20 (F1114) | 61-42662-18 (F1514) | 61-42662-19 (F0514) | 61-101351-14 |
| | Stk | TXV - Circuit #2 (Before Date Code Fxxxx indicated) | 61-101351-11 (F1114) | 61-101351-12 (F1514) | 61-101351-13 (F0514) | 61-101351-14 |
| | Stk | TXV - Circuit #2 (On or After Date Code Fxxxx indicated) | 61-42662-20 (F1114) | 61-42662-18 (F1514) | 61-42662-19 (F0514) | 61-101351-14 |
| | | Bulb Strap Kit - TXV (2) | 64-101357-01 | 64-101357-01 | 64-101357-01 | 64-101357-01 |
| 43 | Stk | Drain Pan - Removable | 68-102699-02 | 68-102699-02 | 68-102699-02 | 68-102699-02 |
| FILTER PIECES: | | | | | | |
| 44 | | Filter Frame | AE-90606-11 | AE-90606-11 | AE-90606-11 | AE-90606-11 |
| 45 | | Air Stop - Bottom | AE-102712-10 | AE-102712-10 | AE-102712-10 | AE-102712-10 |
| 46 | | Air Stop - Side | AE-102712-06 | AE-102712-06 | AE-102712-06 | AE-102712-06 |
| 47 | | Top Air Stop Assy | AS-90604-06 | AS-90604-06 | AS-90604-06 | AS-90604-06 |
| 48 | | Filter Channel (2) | AE-102712-08 | AE-102712-08 | AE-102712-08 | AE-102712-08 |
| 49 | | Filter Slide (2) | AE-102712-11 | AE-102712-11 | AE-102712-11 | AE-102712-11 |
| 50 | | Filter (6) | 54-42541-01 | 54-42541-01 | 54-42541-01 | 54-42541-01 |
| CONDENSER COIL: | | | | | | |
| 37a | Stk | Condenser Coil | AS-102704-03 | AS-90656-25 | AS-90656-42 | 65-101478-08 |
| 37b | Stk | Condenser Coil | AS-102704-03 | AS-90656-25 | AS-90656-42 | 65-101478-08 |
| 38 | | Front Air Stop | AE-90706-19 | AE-90706-19 | AE-90706-19 | N/A |
| 39 | | Rear Air Stop | AE-90706-18 | AE-90706-18 | AE-90706-18 | N/A |
| 40a,b | | Bottom Retainer (2) | AE-90700-03 | AE-90700-02 | AE-90700-02 | N/A |
| 40a | | Micro-Channel Coil Mounting Base - Left | N/A | N/A | N/A | 68-102752-01 |
| 40b | | Micro-Channel Coil Mounting Base - Right | N/A | N/A | N/A | 68-102752-02 |
| 41a | | Top Support - Condenser Coil | AE-90612-09 | AE-90612-02 | AE-90612-02 | AE-90612-13 |
| 41b | | Top Support - Condenser Bulkhead | AE-90612-03 | AE-90612-03 | AE-90612-03 | AE-90612-05 |
| | | Liquid Line Filter Drier | 83-22755-05 (2) | 83-22755-05 (2) | 83-22755-05 (2) | 83-22755-05 (2) |
| | | Strap - Filter Drier | AE-102132-01 (2) | AE-102132-01 (2) | AE-102132-01 (2) | AE-102132-01 (2) |
| | | High Pressure Control | See Compressor Group | | | |
| | | Low Pressure Control | See Compressor Group | | | |

| No. | Notes | MODEL TECHNICAL VARIATION COOLING CAPACITY | RLNL- H 180 | RLNL- H 210 | RLNL- H 240 | RLNL- H 300 |
|-------------------------------|-------|--|----------------------|-------------------|-------------------|-------------------|
| COIL GROUP | | | | | | |
| EVAPORATOR COIL GROUP: | | | | | | |
| 40 | | Air Flow Panel | AS-90828-02H | AS-90828-02H | AS-90828-02H | AS-90828-02H |
| 42 | Stk | Complete Coil - Indoor | AS-102821-03 | AS-102821-03 | AS-102652-03 | AS-102428-03 |
| | Stk | TXV/Distributor Assembly - Circuit #1 | 61-102845-01 | 61-102845-01 | 61-102687-01 | 61-102815-01 |
| | Stk | TXV/Distributor Assembly - Circuit #2 | 61-102845-01 | 61-102845-01 | 61-102687-01 | 61-102815-01 |
| 43 | Stk | Drain Pan - Removable | 68-102699-01 | 68-102699-01 | 68-102699-01 | 68-102699-01 |
| FILTER PIECES: | | | | | | |
| 44 | | Filter Frame | AE-90606-10 | AE-90606-10 | AE-90606-10 | AE-90606-10 |
| 45 | | Air Stop - Bottom | AE-102712-17 | AE-102712-17 | AE-102712-17 | AE-102712-17 |
| 46 | | Air Stop - Side | AE-102712-14 | AE-102712-14 | AE-102712-14 | AE-102712-14 |
| 47 | | Top Air Stop Assembly | AS-90604-04 | AS-90604-04 | AS-90604-04 | AS-90604-04 |
| 48 | | Filter Channel (2) | AE-102712-16 | AE-102712-16 | AE-102712-16 | AE-102712-16 |
| 49 | | Filter Slide (2) | AE-102712-15 | AE-102712-15 | AE-102712-15 | AE-102712-15 |
| 50 | | Filter - 20 in. x 25 in. x 2 in. (8) | 54-42541-04 | 54-42541-04 | 54-42541-04 | 54-42541-04 |
| CONDENSER COIL: | | | | | | |
| 37 | Stk | Condenser Coil Assembly (2) | AS-102647-03 | AS-103204-03 | AS-102666-03 | AS-102666-03 |
| 38a | | Air Stop - Front | AE-90706-13 | AE-90706-13 | AE-90706-13 | AE-90706-13 |
| 38b | | Corner Brace - Top Front | AS-90706-16H | AS-90706-16H | AS-90706-16H | AS-90706-16H |
| 38c | | Post - Front | AS-90706-14H | AS-90706-14H | AS-90706-14H | AS-90706-14H |
| 39a | | Air Stop - Rear | AE-90706-12 | AE-90706-12 | AE-90706-12 | AE-90706-12 |
| 39b | | Corner Brace - Top Rear | AS-90706-17H | AS-90706-17H | AS-90706-17H | AS-90706-17H |
| 39c | | Post - Rear | AS-90706-15H | AS-90706-15H | AS-90706-15H | AS-90706-15H |
| 41 | | Air Stop- Top Right | AS-90753-08H | AS-90753-08H | AS-90753-08H | AS-90753-08H |
| 41a | | Top Support - Inner Condenser Coil (2) | AE-90612-21 | AE-90612-08 | AE-90612-08 | AE-90612-08 |
| 41b | | Top Support - Outer Condenser Coil | AE-90612-20 | AE-90612-11 | AE-90612-11 | AE-90612-11 |
| 41c | | Top Support - Condenser Bulkhead | AE-90612-18 | AE-90612-06 | AE-90612-06 | AE-90612-06 |
| | | Filter Drier - Liquid Line (2) | 83-22755-11 | 83-22755-11 | 83-22755-11 | 83-22755-11 |
| | | High Pressure Control | See Compressor Group | | | |
| | | Low Pressure Control | See Compressor Group | | | |

| No. | Notes | MODEL TECHNICAL VARIATION COOLING CAPACITY ELECTRICAL DESIGNATION | RLNL- H 090 C | RLNL- H 090 D | RLNL- H 102 C | RLNL- H 102 D |
|-------------------------|-------|--|------------------------|------------------------|------------------------|------------------------|
| COMPRESSOR GROUP | | | | | | |
| | | Compressor ID: | 7897 | 7898 | 7940 | 7941 |
| 75 | Stk | Compressor #1 | 55-102045-08S | 55-102045-07S | 55-102045-34S | 55-102045-35S |
| 75 | Stk | Compressor #2 | 55-102045-08S | 55-102045-07S | 55-102045-34S | 55-102045-35S |
| | Stk | Plug Harness - Compressor #1 | 45-102708-01 | 45-102708-01 | 45-102708-01 | 45-102708-01 |
| | Stk | Plug Harness - Compressor #2 | 45-102708-02 | 45-102708-02 | 45-102708-02 | 45-102708-02 |
| | Stk | High Pressure Control | 47-23699-04 | 47-23699-04 | 47-23699-04 | 47-23699-04 |
| | Stk | Low Pressure Control (2) | 47-101529-09 | 47-101529-09 | 47-101529-09 | 47-101529-09 |
| | | Compressor ID: | | | 8789 | 8790 |
| | Stk | Compressor #1 | | | 55-102045-93S | 55-102045-94S |
| | Stk | Compressor #2 | | | 55-102045-93S | 55-102045-94S |
| | Stk | Plug Harness - Compressor #1 | | | 45-102708-01 | 45-102708-01 |
| | Stk | Plug Harness - Compressor #2 | | | 45-102708-02 | 45-102708-02 |
| | Stk | High Pressure Control | | | 47-23699-04 | 47-23699-04 |
| | Stk | Low Pressure Control (2) | | | 47-101529-09 | 47-101529-09 |

| No. | Notes | MODEL TECHNICAL VARIATION COOLING CAPACITY ELECTRICAL DESIGNATION | RLNL- H 120 C | RLNL- H 120 D | RLNL- H 151 C | RLNL- H 151 D |
|-------------------------|-------|--|------------------------|------------------------|------------------------|------------------------|
| COMPRESSOR GROUP | | | | | | |
| | | Compressor ID: | 7946 | 7947 | 8647 | 8648 |
| 75 | Stk | Compressor #1 | 55-102045-27S | 55-102045-28S | 55-102471-14S | 55-102471-16S |
| 75 | Stk | Compressor #2 | 55-102045-27S | 55-102045-28S | 55-102471-18S | 55-102471-19S |
| | Stk | Plug Harness - Compressor #1 | 45-102708-01 | 45-102708-01 | 45-102708-03 | 45-102708-03 |
| | Stk | Plug Harness - Compressor #2 | 45-102708-02 | 45-102708-02 | 45-102708-04 | 45-102708-04 |
| | Stk | High Pressure Control | 47-23699-04 | 47-23699-04 | 47-23699-04 | 47-23699-04 |
| | Stk | Low Pressure Control (2) | 47-101529-09 | 47-101529-09 | 47-101529-09 | 47-101529-09 |

| No. | Notes | MODEL TECHNICAL VARIATION COOLING CAPACITY ELECTRICAL DESIGNATION | RLNL- H 180 C | RLNL- H 210 C | RLNL- H 240 C | RLNL- H 300 C |
|-------------------------|-------|--|------------------------|------------------------|------------------------|------------------------|
| COMPRESSOR GROUP | | | | | | |
| | | Compressor: | 7882 | 8053 | 7885 | 7888 |
| 75 | Stk | Compressor #1 | 55-23156-20S | 55-102471-03S | 55-102471-02S | 55-102471-13S |
| 75 | Stk | Compressor #2 | 55-23156-20S | 55-102471-03S | 55-102471-03S | 55-102471-13S |
| | Stk | Plug Harness - Compressor #1 | 45-42522-73 | 45-42522-73 | 45-42522-73 | 45-42522-73 |
| | Stk | Plug Harness - Compressor #2 | 45-42522-72 | 45-42522-72 | 45-42522-72 | 45-42522-72 |
| | Stk | High Pressure Control | 47-23699-04 | 47-23699-04 | 47-23699-04 | 47-23699-04 |
| | Stk | Low Pressure Control (2) | 47-101529-09 | 47-101529-09 | 47-101529-09 | 47-101529-09 |

| No. | Notes | MODEL TECHNICAL VARIATION COOLING CAPACITY ELECTRICAL DESIGNATION | RLNL- H 180 D | RLNL- H 210 D | RLNL- H 240 D | RLNL- H 300 D |
|-------------------------|-------|--|------------------------|------------------------|------------------------|------------------------|
| COMPRESSOR GROUP | | | | | | |
| | | Compressor: | 7883 | 8054 | 7886 | 7889 |
| 75 | Stk | Compressor #1 | 55-23156-21S | 55-102471-07S | 55-102471-09S | 55-102471-08S |
| 75 | Stk | Compressor #2 | 55-23156-21S | 55-102471-07S | 55-102471-07S | 55-102471-08S |
| | Stk | Plug Harness - Compressor #1 | 45-42522-73 | 45-42522-73 | 45-42522-73 | 45-42522-73 |
| | Stk | Plug Harness - Compressor #2 | 45-42522-72 | 45-42522-72 | 45-42522-72 | 45-42522-72 |
| | Stk | High Pressure Control | 47-23699-04 | 47-23699-04 | 47-23699-04 | 47-23699-04 |
| | Stk | Low Pressure Control (2) | 47-101529-09 | 47-101529-09 | 47-101529-09 | 47-101529-09 |

| | | | | | | | |
|-----------------------------|-------|--|----------------------------|----------------------------|----------------------------|----------------------------|----------------------------|
| No. | Notes | MODEL TECHNICAL VARIATION COOLING CAPACITY ELECTRICAL DESIGNATION | RLNL- H 090-151 C | RLNL- H 090-151 C | RLNL- H 090-151 C | RLNL- H 090-151 C | RLNL- H 090-151 C |
| ELECTRIC HEATER KITS | | | | | | | |
| | | Electric Element Kits | RXJJ-CC10C | RXJJ-CC15C | RXJJ-CC20C | RXJJ-CC30C | RXJJ-CC31C |
| | | Electric Element Kits | RXJJ-CC40C | RXJJ-CC41C | RXJJ-CC50C | | |

| | | | | | | | |
|-----------------------------|-------|--|----------------------------|----------------------------|----------------------------|----------------------------|----------------------------|
| No. | Notes | MODEL TECHNICAL VARIATION COOLING CAPACITY ELECTRICAL DESIGNATION | RLNL- H 090-151 D | RLNL- H 090-151 D | RLNL- H 090-151 D | RLNL- H 090-151 D | RLNL- H 090-151 D |
| ELECTRIC HEATER KITS | | | | | | | |
| | | Electric Element Kits | RXJJ-CC10D | RXJJ-CC15D | RXJJ-CC20D | RXJJ-CC30D | RXJJ-CC31D |
| | | Electric Element Kits | RXJJ-CC40D | RXJJ-CC50D | | | |

| | | | | | | | |
|-----------------------------|-------|--|----------------------------|----------------------------|----------------------------|----------------------------|--|
| No. | Notes | MODEL TECHNICAL VARIATION COOLING CAPACITY ELECTRICAL DESIGNATION | RLNL- H 180-300 C | RLNL- H 180-300 C | RLNL- H 180-300 C | RLNL- H 180-300 C | |
| ELECTRIC HEATER KITS | | | | | | | |
| | | Electric Element Kits | RXJJ-CE20C | RXJJ-CE40C | RXJJ-CE60C | RXJJ-CE75C | |

| | | | | | | | |
|-----------------------------|-------|--|----------------------------|----------------------------|----------------------------|----------------------------|--|
| No. | Notes | MODEL TECHNICAL VARIATION COOLING CAPACITY ELECTRICAL DESIGNATION | RLNL- H 180-300 D | RLNL- H 180-300 D | RLNL- H 180-300 D | RLNL- H 180-300 D | |
| ELECTRIC HEATER KITS | | | | | | | |
| | | Electric Element Kits | RXJJ-CE20D | RXJJ-CE40D | RXJJ-CE60D | RXJJ-CE75D | |

| No. | Notes | MODEL TECHNICAL VARIATION COOLING CAPACITY | RLNL- H 090-151 |
|--------------------|-------|--|-----------------------|
| ACCESSORIES | | | |
| | | Louver Panel Kit (090-120) | AXRX-AAD01C |
| | | Louver Panel Kit (151) | AXRX-AAD02A |
| | | Carbon Dioxide Sensor | RXXR-AR02 |
| | | Dual Enthalpy Kit | RXXR-AV03 |
| | | Manual Fresh Air Damper (Left Panel Mounted) | AXRF-KDA1 |
| | | Motor Kit for *XRF-KDA1 | RXXR-AW02 |
| | | Modulating Motor Kit w/position feedback (for *XRF-KDA1) | RXXR-AW04 |
| | | Manual Fresh Air Damper (Return Panel) | AXRF-JDA1 |
| | | Motorized Fresh Air Damper (Return Panel) | AXRF-JDB1 |
| | | Comfort Alert (One per Compressor) | RXXR-AZ01 |
| | | BACnet Communication Card | RXXR-AY01 |
| | | LonWorks Communication Card | RXXR-AY02 |
| | | Unwired Convenience Outlet - Option | RXXR-AN01 |
| | | Low Ambient Control Kit (One per Compressor) | RXRZ-C02 |

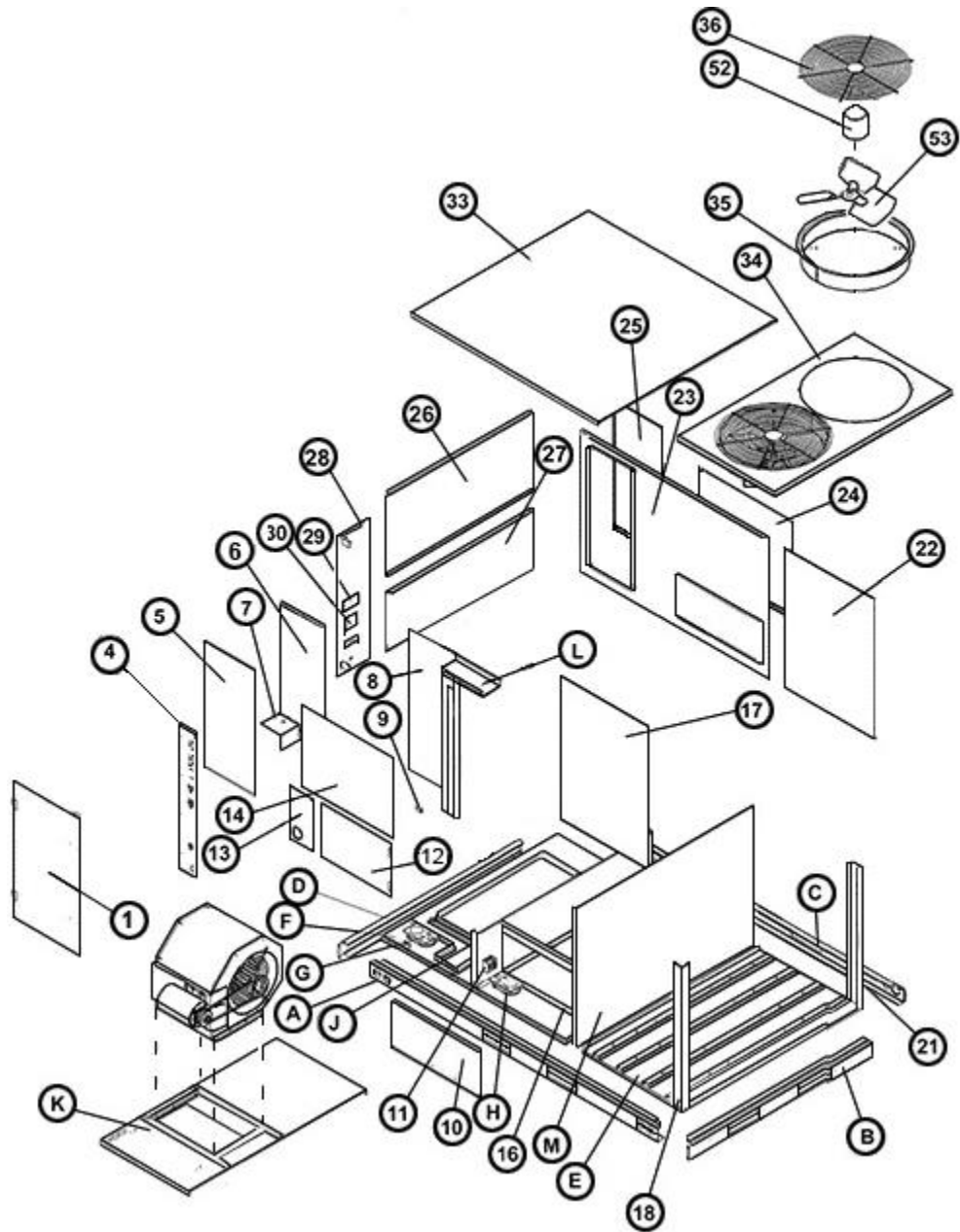
| No. | Notes | MODEL TECHNICAL VARIATION COOLING CAPACITY | RLNL- H 090-151 |
|--------------------|-------|--|-----------------------|
| ECONOMIZERS | | | |
| | | Economizer - Single Enthalpy (Downflow) | AXRD-PJCM3 |
| | | Economizer - Single Enthalpy w/Smoke Detector (Downflow) | AXRD-SJCM3 |
| | | Economizer - Horizontal w/Single Enthalpy | AXRD-RJCM3 |

| No. | Notes | MODEL TECHNICAL VARIATION COOLING CAPACITY | RLNL- H 090-151 |
|----------------------|-------|--|-----------------------|
| POWER EXHAUST | | | |
| | | Power Exhaust | RXXR-BFF02C |
| | | Power Exhaust | RXXR-BFF02D |
| | | Power Exhaust | RXXR-BFF02Y |

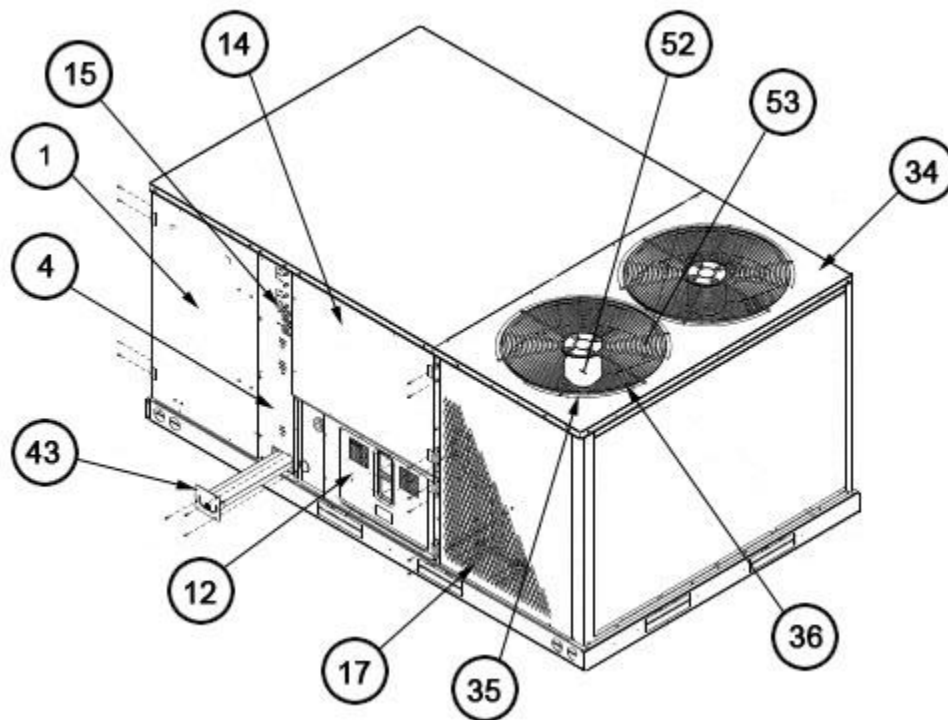
| No. | Notes | MODEL TECHNICAL VARIATION COOLING CAPACITY | RLNL- H 180-300 |
|--------------------|-------|---|-----------------------|
| ACCESSORIES | | | |
| | | Carbon Dioxide Sensor | RXRX-AR02 |
| | | Dual Enthalpy Kit | RXRX-AV03 |
| | | Manual Fresh Air Damper | AXRF-KFA1 |
| | | Motorized Kit (for *XRF-KFA1) | RXRX-AW03 |
| | | Modulating Motor Kit w/position feedback (for *XRF-KFA1) | RXRX-AW05 |
| | | Comfort Alert (One per Compressor) | RXRX-AZ01 |
| | | Unwired Convenience Outlet | RXRX-AN01 |
| | | Low Ambient Control Kit (One per Compressor) | RXRZ-C02 |
| | | BACnet Communication Card | RXRX-AY01 |
| | | LonWorks Communication Card | RXRX-AY02 |
| | | Louver Panel Kit (Hail Guard) - Left and Right (Granite/Steel Gray) | AXRX-AAD01L |

| No. | Notes | MODEL TECHNICAL VARIATION COOLING CAPACITY | RLNL- H 180-300 |
|--------------------|-------|--|-----------------------|
| ECONOMIZERS | | | |
| | | Economizer - Single Enthalpy (Downflow) | AXRD-PMCM3 |
| | | Economizer - Single Enthalpy w/Smoke Detector (Downflow) | AXRD-SMCM3 |
| | | Economizer - Horizontal w/Single Enthalpy | AXRD-RMCM3 |

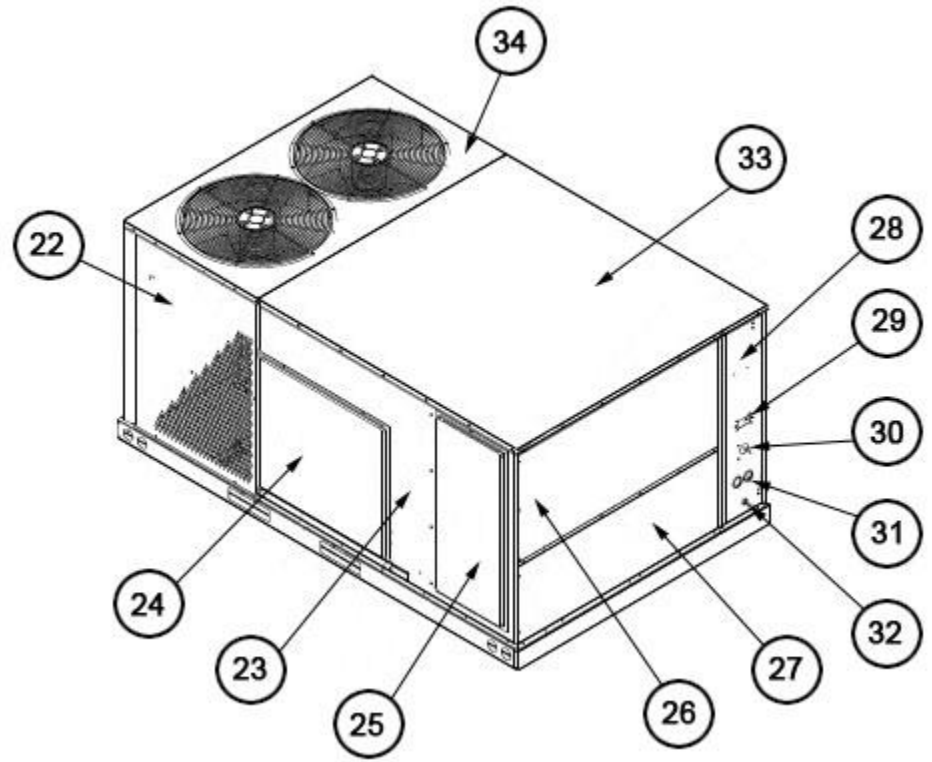
| No. | Notes | MODEL TECHNICAL VARIATION COOLING CAPACITY | RLNL- H 180-300 |
|----------------------|-------|--|-----------------------|
| POWER EXHAUST | | | |
| | | Power Exhaust | RXRX-BGF05C |
| | | Power Exhaust | RXRX-BGF05D |
| | | Power Exhaust | RXRX-BGF05Y |



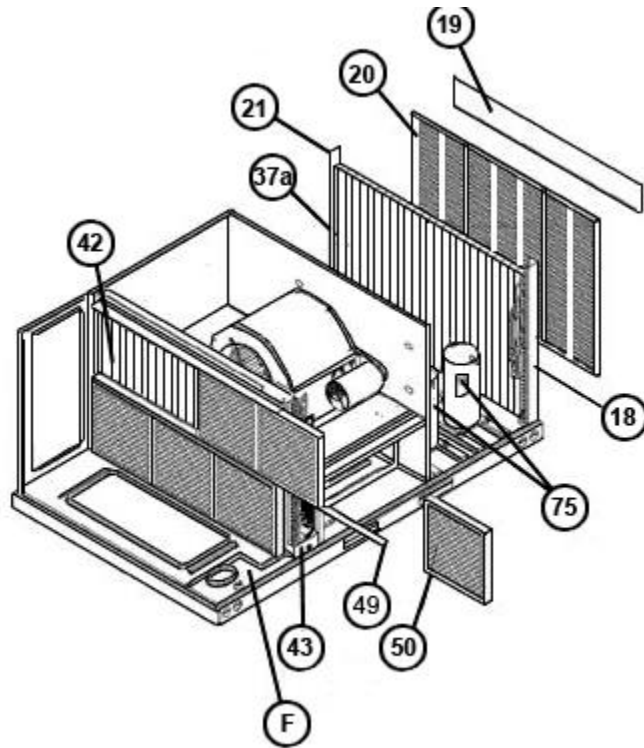
Exploded View 090-151



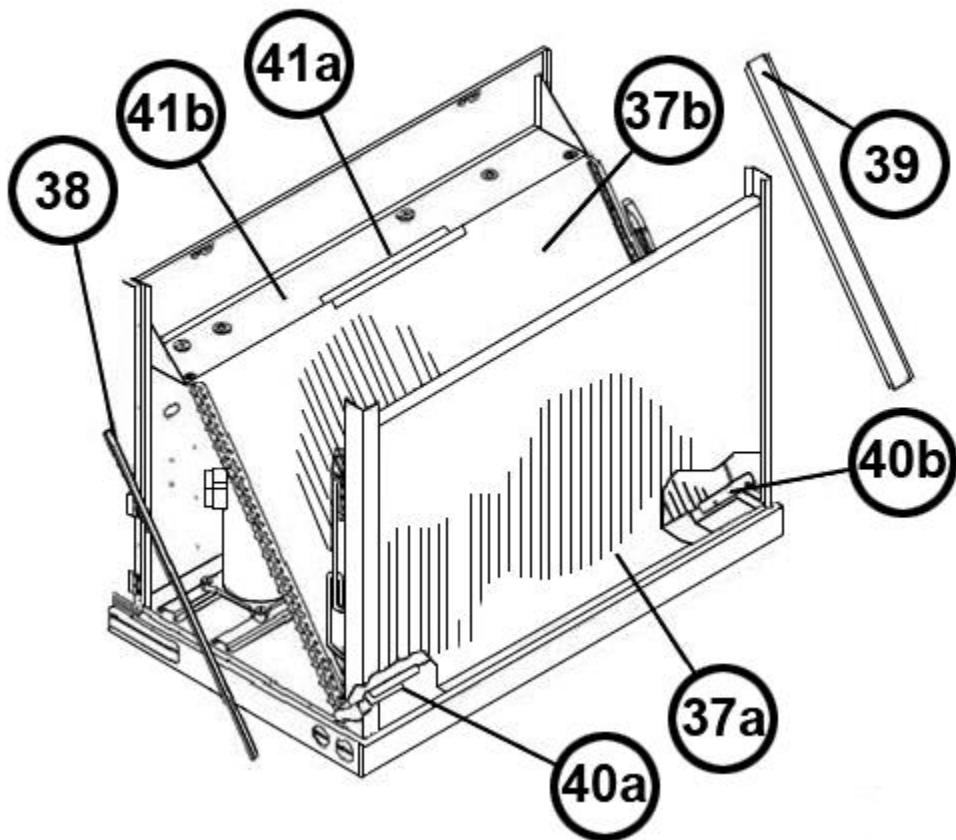
Exterior - Front 090-151



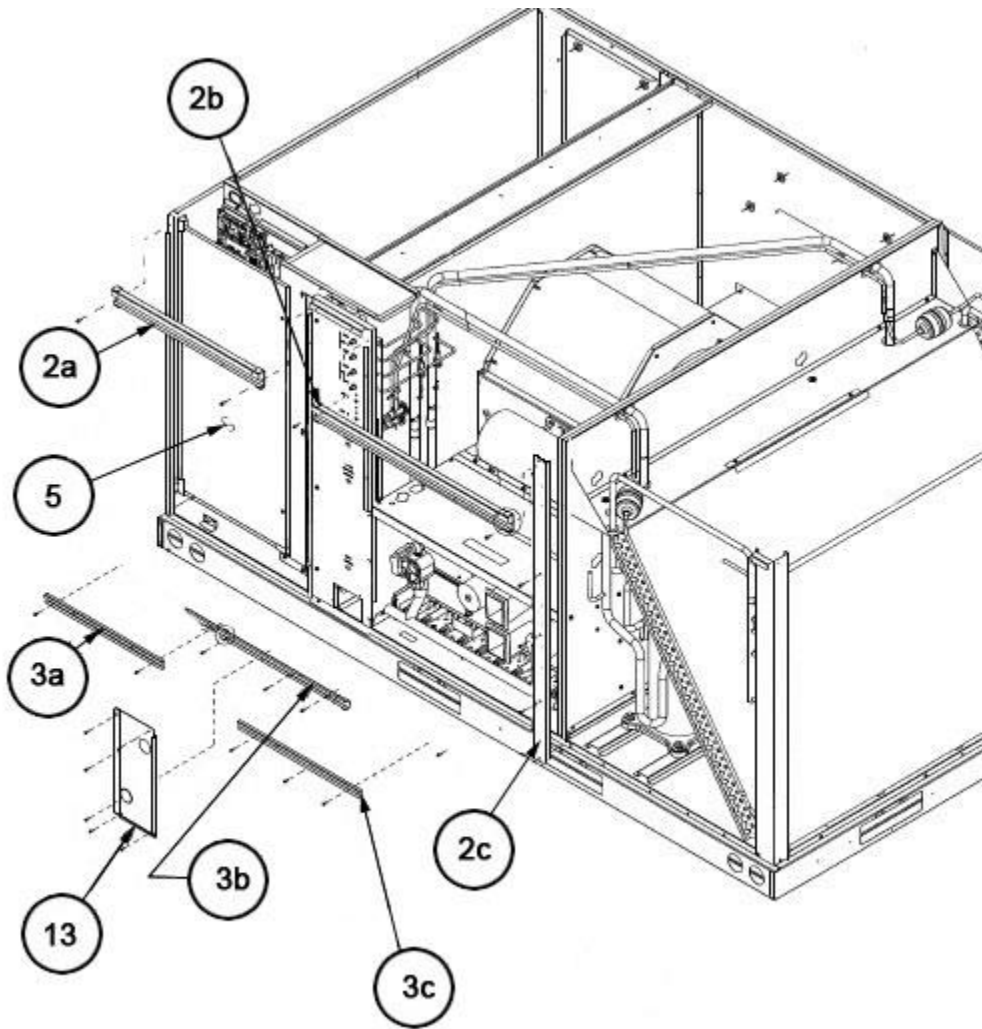
Exterior - Back 090-151



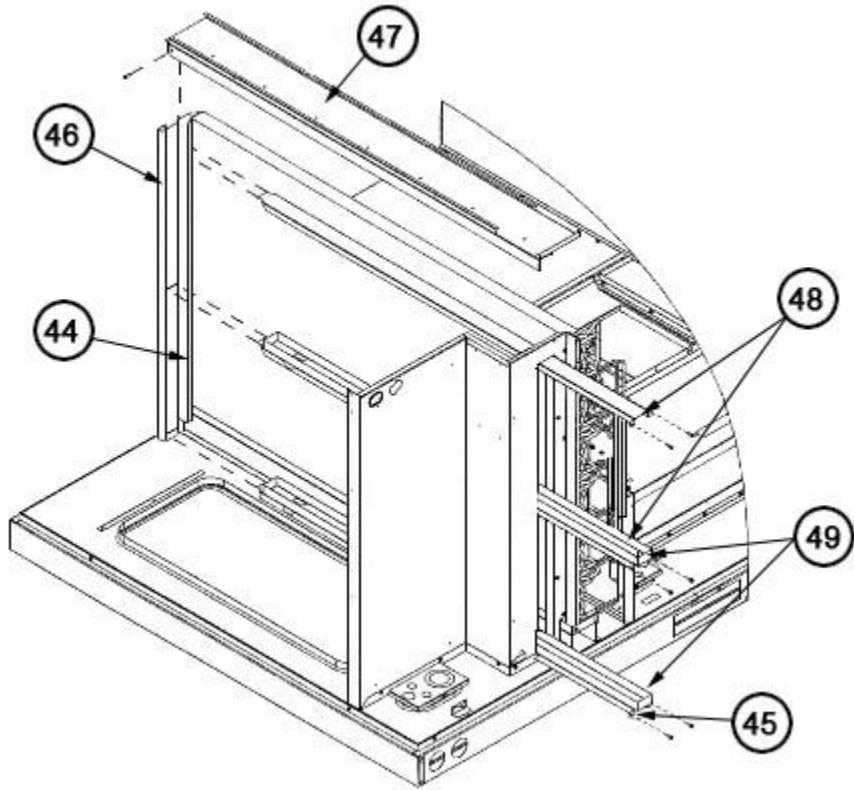
Filter-Coil Assembly 090-151



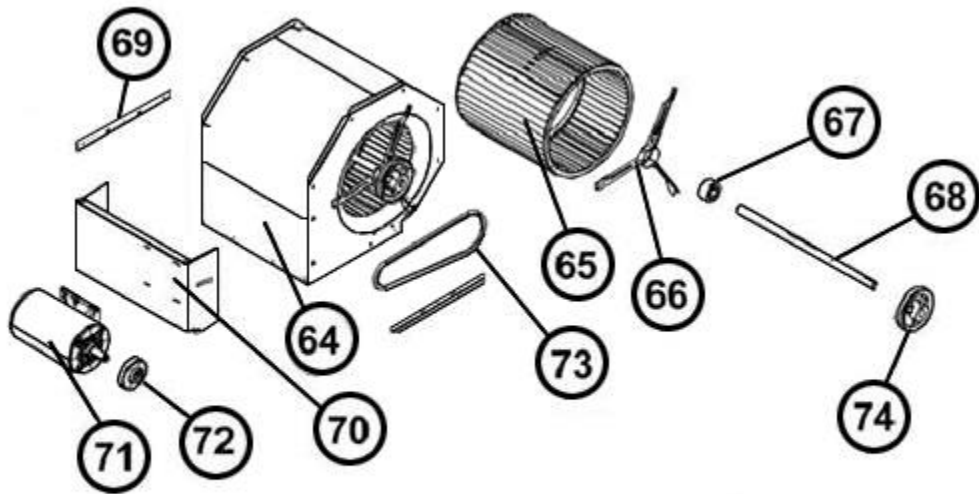
Condenser Coil Assembly 090-151



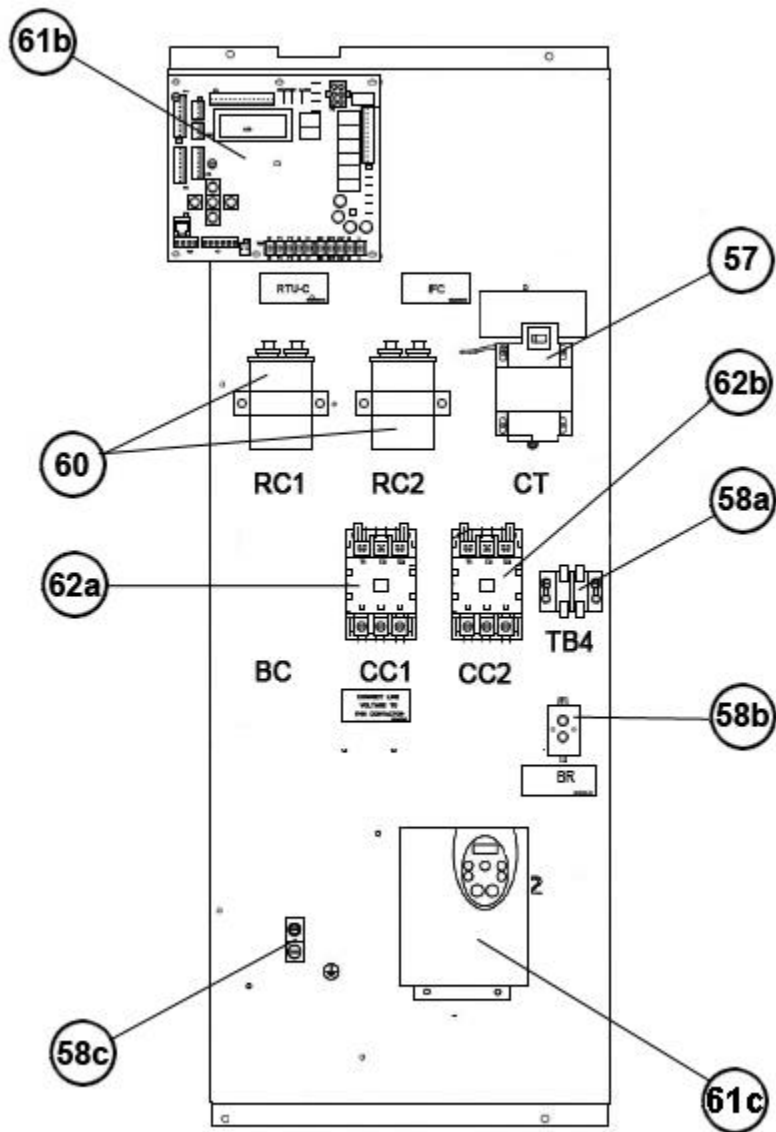
Front Panel Brackets 090-151



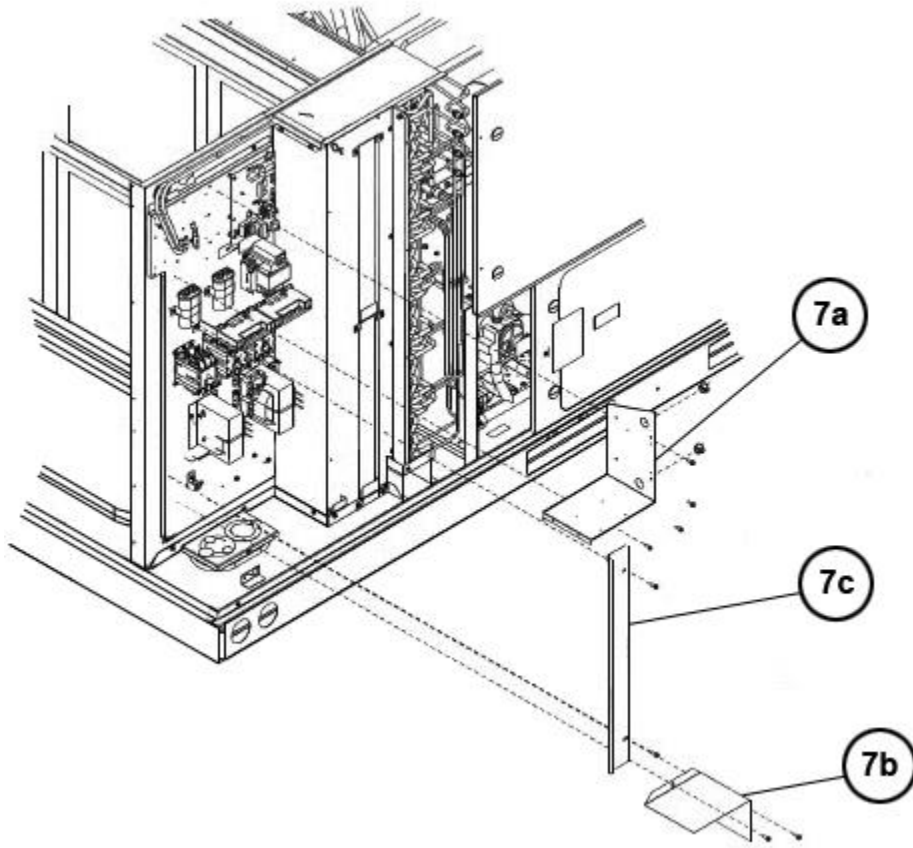
Filter Frame Assembly 090-151



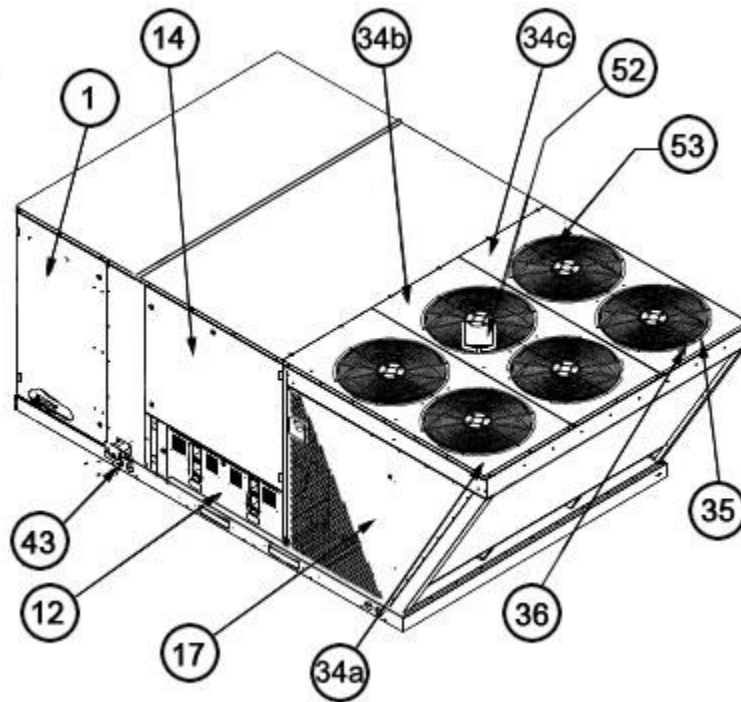
Blower Assembly 090-151



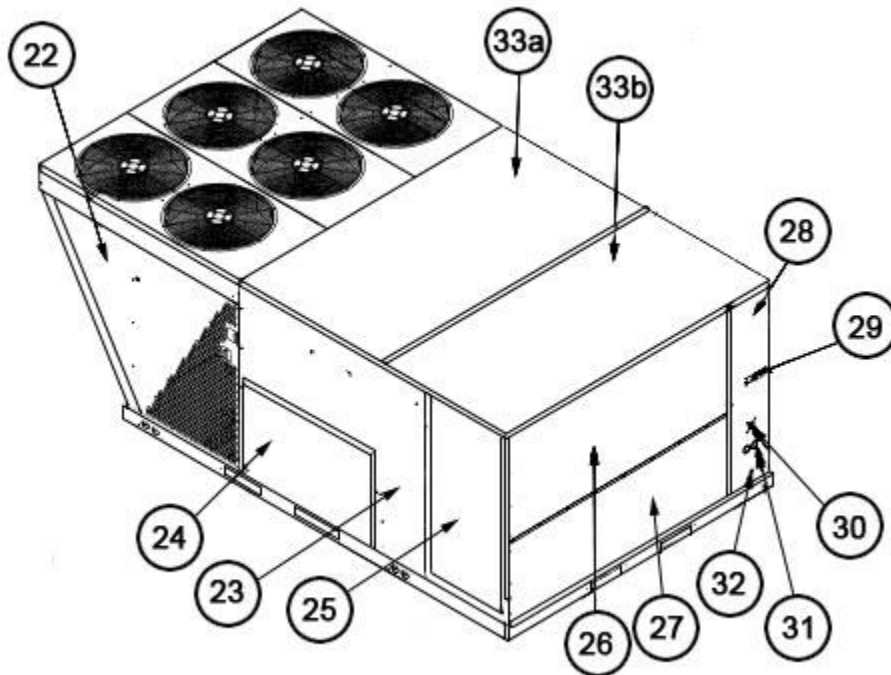
Control Box 090-151



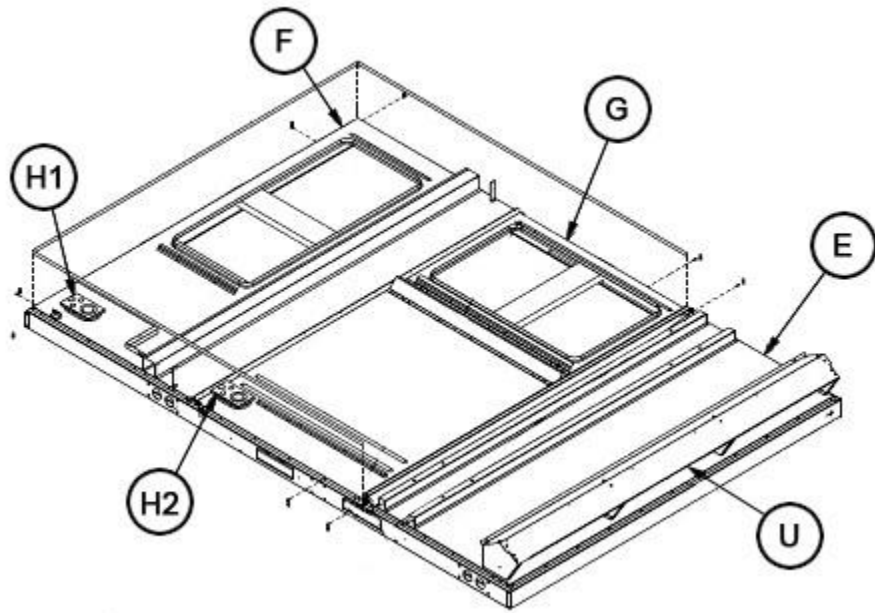
Low Voltage Shields 090-151



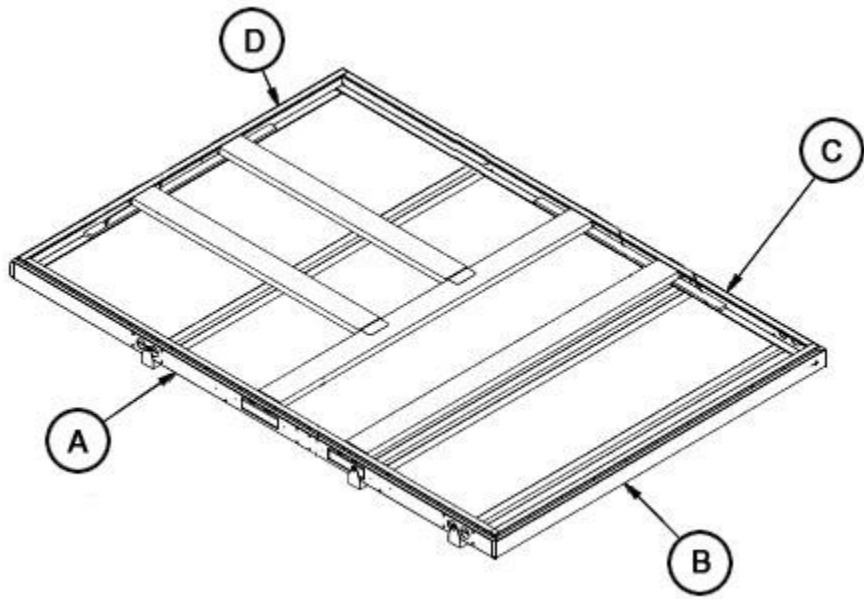
Exterior - Front 180-300



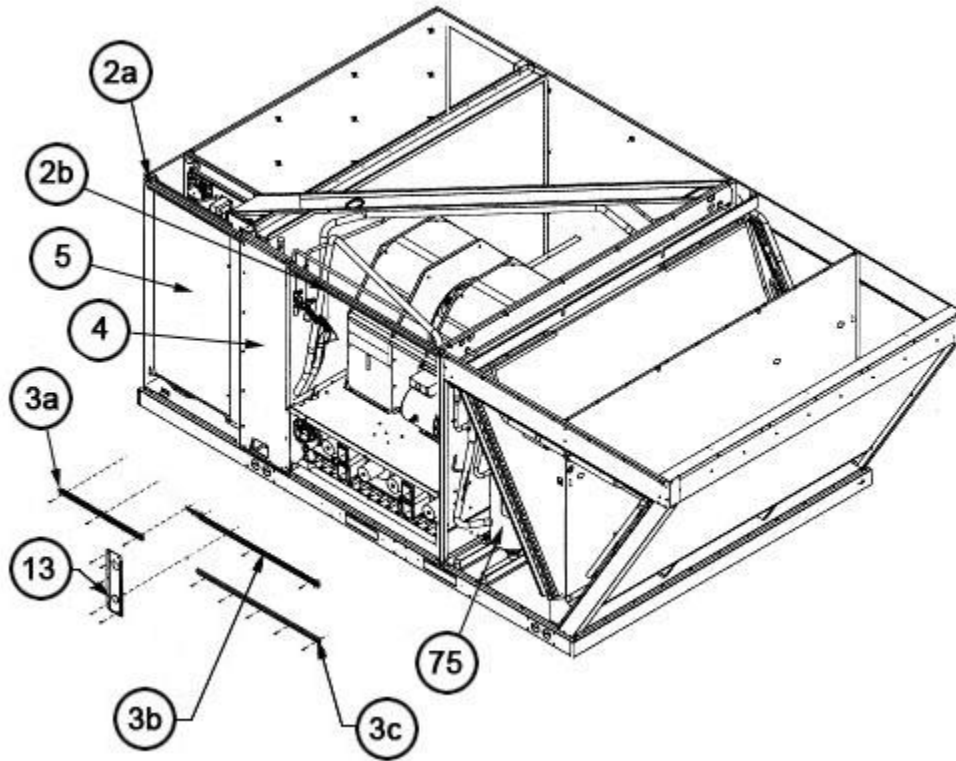
Exterior - Rear 180-300



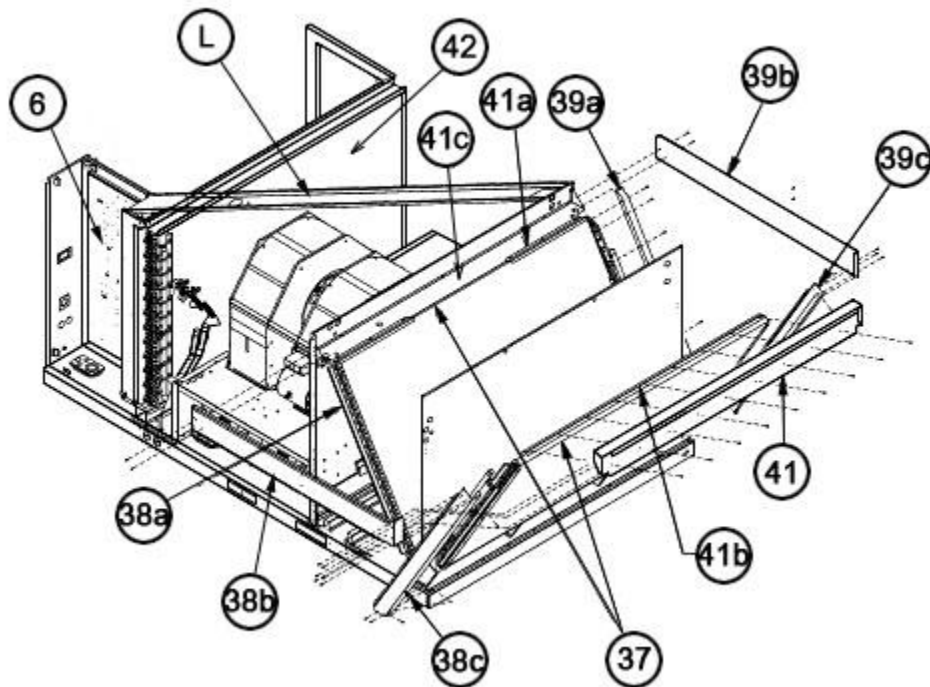
Base Pan Assembly 180-300



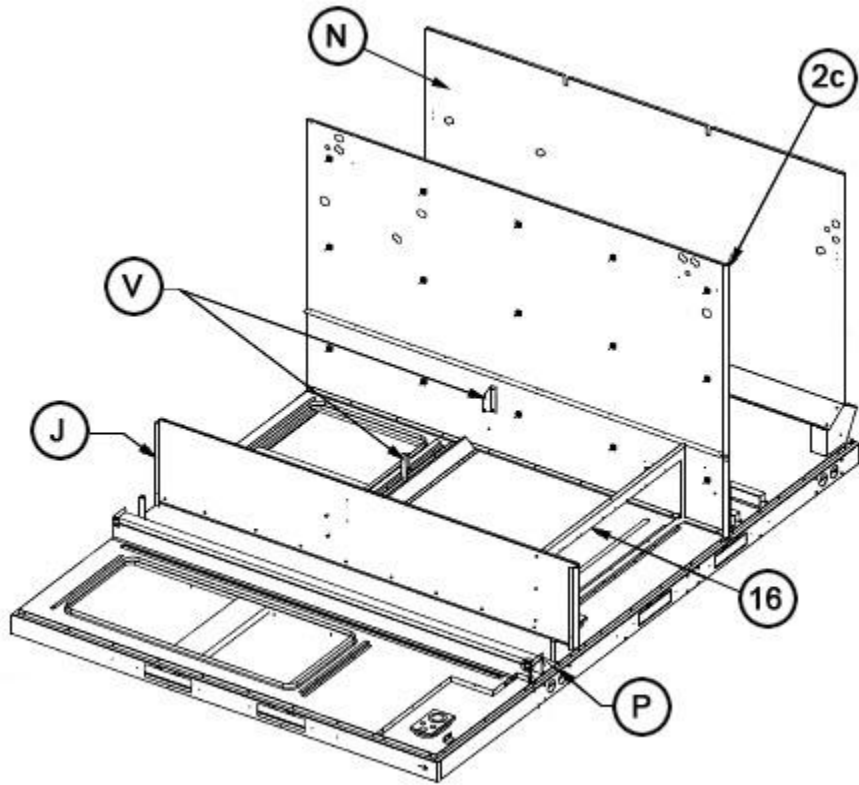
Base Rail Assembly 180-300



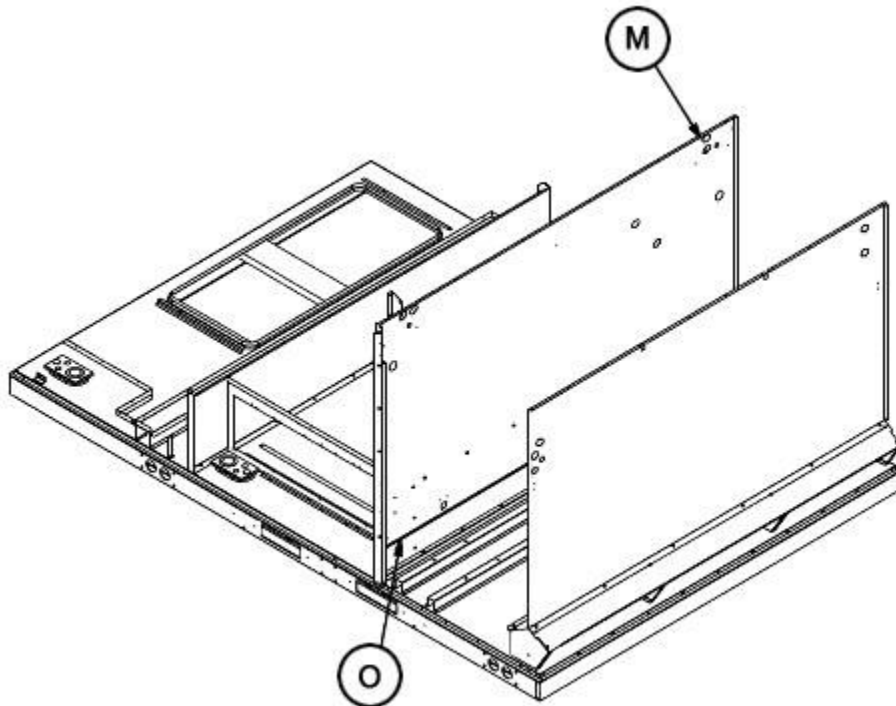
Front Panel Brackets 180-300



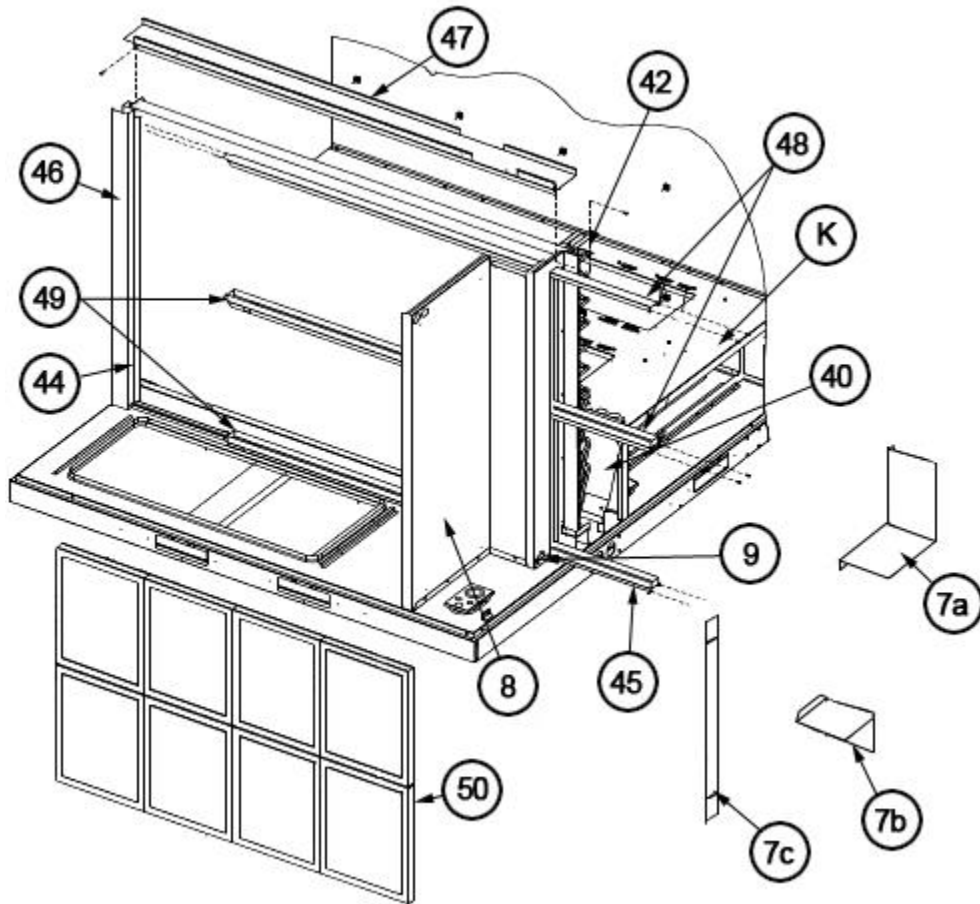
Interior - Coil 180-300



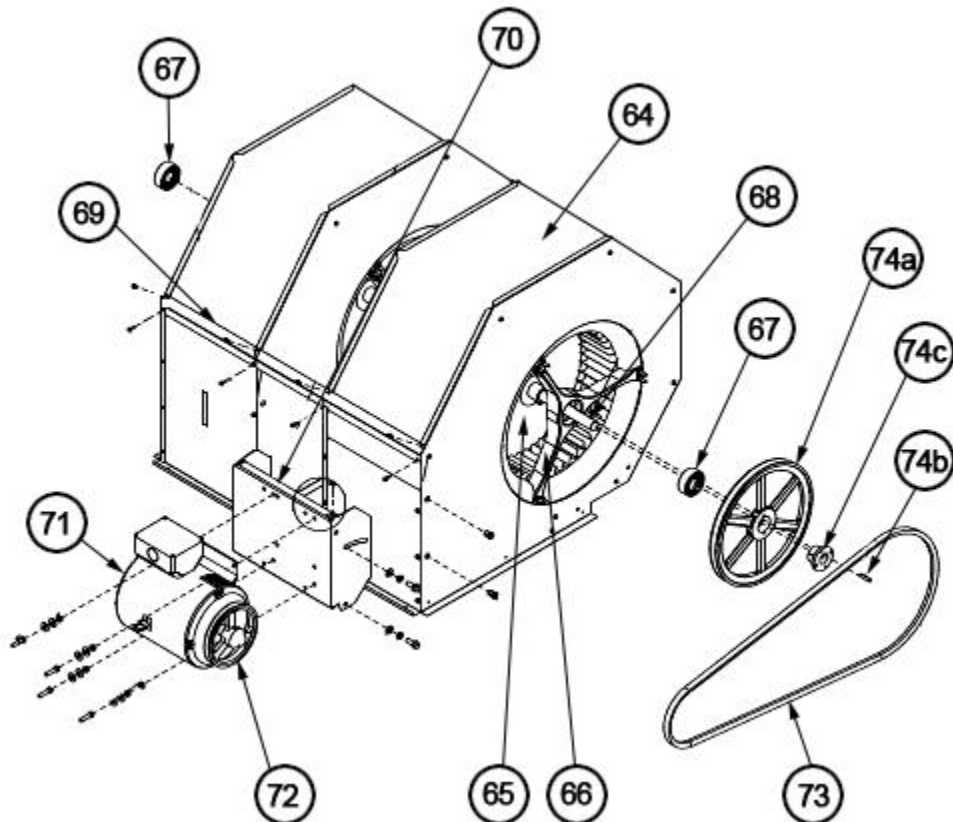
Heat Compartment 180-300



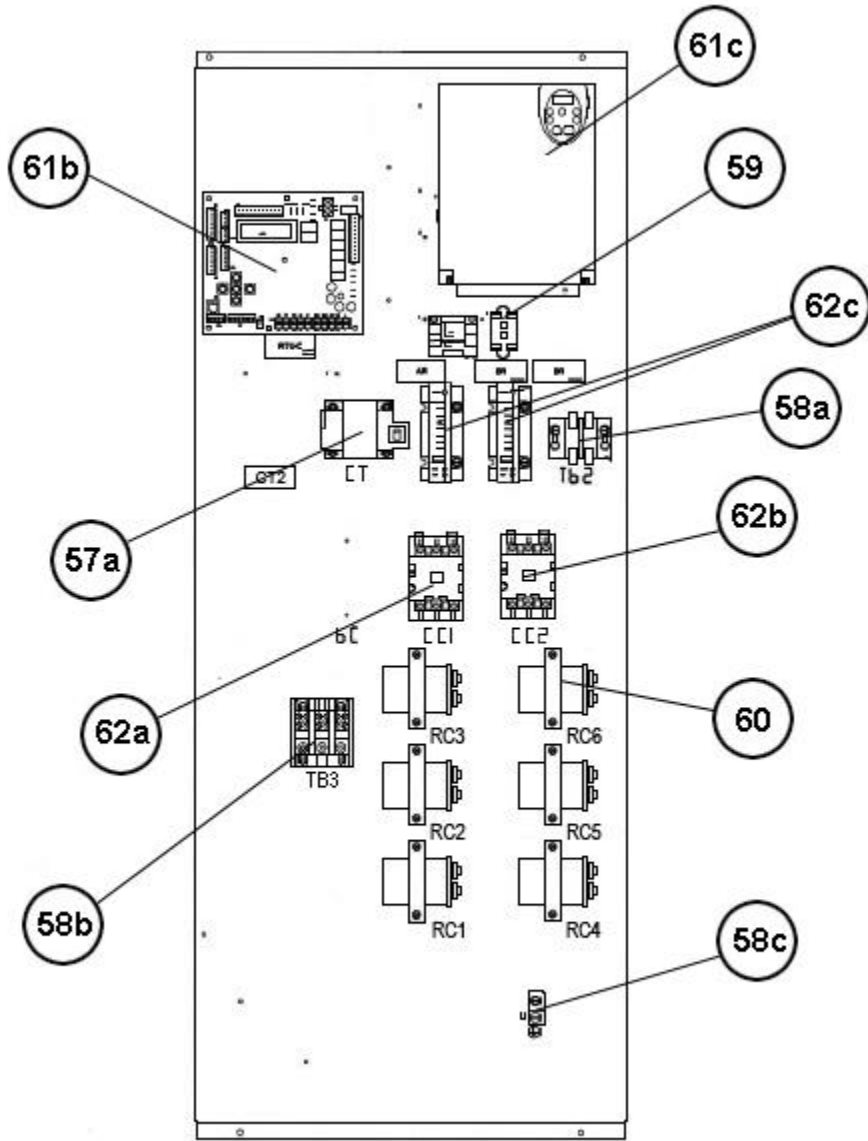
Condenser Bulkhead 180-300



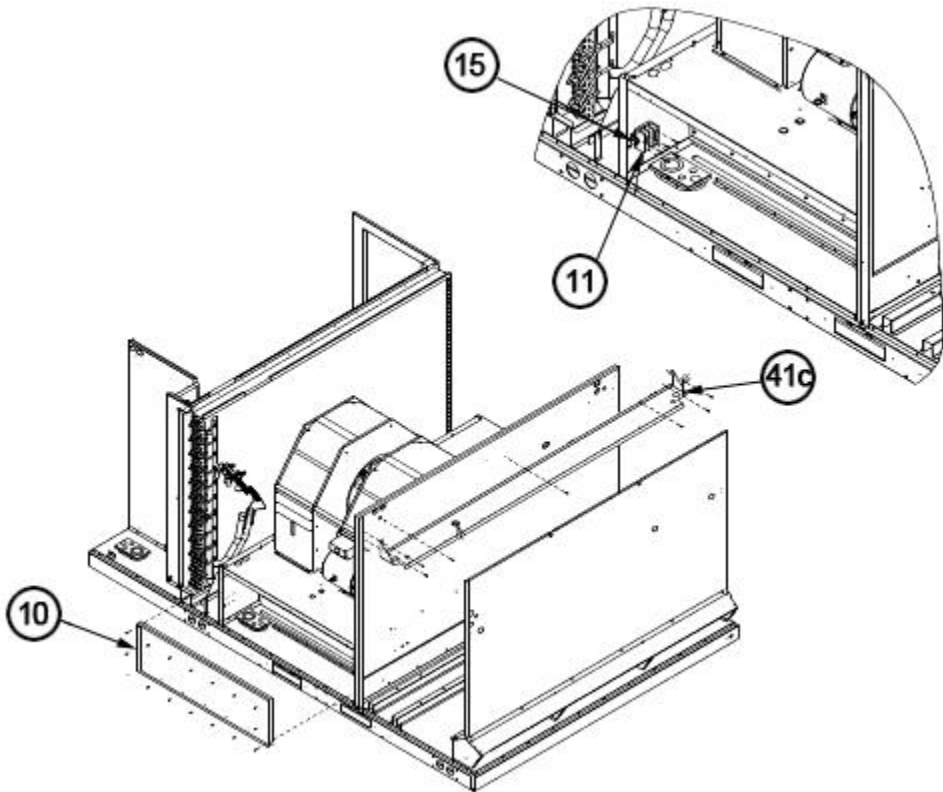
Filter Frame Assembly 180-300



Blower Assembly 180-300



Control Box 180-300



Electric Heat Block-Off 180-300

NOTES

- Stk It is recommended that stock be maintained for this part.
N/A Not Applicable
1 Temperature Sensors are integral with the Wiring Harness.

DISCLAIMER: This document is intended to provide general replacement parts information to aid qualified service personnel in the repair of these models. The complete Model and Serial Number of the unit under repair should be specified when selecting and ordering replacement parts. Specifications and illustrations are subject to change without notice. Document 92-42800-RLNL-H supersedes all previous parts lists for these models. See <http://www.rheempartslists.net/92-42800-RLNL-H> for the latest revision of this document. The manufacturer assumes no obligation for errors or omissions. Service personnel must verify the proper and safe operation of equipment after the replacement of any original components.