



RLNL-H

Parts List
31-May-2014



*This parts list is current as of the above revision date.
See <http://www.rheempartslists.net/92-42800-RLNL-H.pdf> for the current revision.*

Package Air Conditioners - Commercial

Table of Contents

Model Explanation	Page 3
Parts Numbers	
Panels - Miscellaneous 090-151 (1)	Page 4
Panels - Miscellaneous 090-151 (2)	Page 5
Panels - Miscellaneous 180-300 (1)	Page 6
Panels - Miscellaneous 180-300 (2)	Page 7
Electrical Group 090-102	Page 8
Electrical Group 120-151	Page 9
Electrical Group 180-300	Page 10
Fan Group 090-151	Page 12
Fan Group 180-300	Page 13
Blower Group 090-151	Page 14
Blower Group 180-300	Page 15
Coil Parts 090-151	Page 16
Coil Parts 180-300	Page 17
Compressor Group 090-151	Page 18
Compressor Group 180-300	Page 19
Heater Kits	Page 20
Accessories 090-151	Page 21
Accessories 180-300	Page 22
Drawings/Photographs	
Exploded View 090-151	Page 23
Exterior - Front 090-151	Page 24
Exterior - Back 090-151	Page 24
Filter-Coil Assembly 090-151	Page 25
Condenser Coil Assembly 090-151	Page 25
Front Panel Brackets 090-151	Page 26
Filter Frame Assembly 090-151	Page 27
Blower Assembly 090-151	Page 27
Control Box 090-151	Page 28
Low Voltage Shields 090-151	Page 29
Exterior - Front 180-300	Page 30
Exterior - Rear 180-300	Page 30
Base Pan Assembly 180-300	Page 31
Base Rail Assembly 180-300	Page 31
Front Panel Brackets 180-300	Page 32
Interior - Coil 180-300	Page 32
Heat Compartment 180-300	Page 33
Condenser Bulkhead 180-300	Page 33
Filter Frame Assembly 180-300	Page 34
Blower Assembly 180-300	Page 34
Control Box 180-300	Page 35
Electric Heat Block-Off 180-300	Page 36
Notes/Disclaimer	Page 37

MODEL NUMBER EXPLANATION

R	L	N	L	-	H	090	C	R	000	AA	B
1	2	3	4		5	6	7	8	9	10	11

- | | |
|--|--|
| <p>1 TRADE NAME</p> <p>2 L = PACKAGE AIR CONDITIONER
Commercial</p> <p>3 EFFICIENCY DESIGNATION
N = High Efficiency (EnergyStar Compliant)</p> <p>4 DESIGN SERIES
L = R-410A</p> <p>5 TECHNICAL VARIATION
H = DDC with VFD</p> <p>6 COOLING CAPACITY (BTUH)
090 = 90,000
102 = 102,000
120 = 120,000
151 = 150,000
180 = 180,000
210 = 210,000
240 = 240,000
300 = 300,000</p> <p>7 ELECTRICAL DESIGNATION
C = 208-230/3/60
D = 460/3/60
Y = 575/3/60</p> | <p>8 DRIVE PACKAGE
R = VFD-Belt Drive
S = VFD-Belt Drive - High Static
T = VFD-Belt Drive - High Static (090)</p> <p>9 ELECTRIC HEAT- (Resistance Heat)
000 = No Resistance Heat
010 = 10 kW Resistance Heat
015 = 15 kW Resistance Heat
020 = 20 kW Resistance Heat
030 = 30 kW Resistance Heat
040 = 40 kW Resistance Heat
050 = 50 kW Resistance Heat</p> <p>10 OPTION CODES
AA = No Options</p> <p>11 ECONOMIZER OPTIONS
A = No Economizer
H = DDC Single Enthalpy Economizer
with Barometric Relief</p> |
|--|--|

SERIAL NUMBER EXPLANATION

1234	F	50	08	00001
1	2	3	4	5

- | |
|---|
| <p>1 COMPRESSOR IDENTIFICATION NUMBER</p> <p>2 PRODUCTION LOCATION:</p> <p>3 WEEK OF PRODUCTION</p> <p>4 YEAR OF PRODUCTION</p> <p>5 PRODUCTION NUMBER</p> |
|---|

No.	Notes	MODEL TECHNICAL VARIATION COOLING CAPACITY	RLNL- H 090	RLNL- H 102	RLNL- H 120	RLNL- H 151
PANELS - RAILS, BASE PANS, INSIDE CABINET						
BASE RAILS:						
A		Base Rail - Front	AE-90575-15	AE-90575-15	AE-90575-15	AE-90575-15
B		Base Rail - Right	AE-90576-03	AE-90576-03	AE-90576-03	AE-90576-03
C		Base Rail - Rear	AE-90575-04	AE-90575-04	AE-90575-04	AE-90575-04
D		Base Rail - Left	AE-90576-04	AE-90576-04	AE-90576-04	AE-90576-04
BASE PANS:						
E		Outdoor Coil Base Pan	AS-90583-05H	AS-90583-05H	AS-90583-05H	AS-90577-14H
F		Indoor Coil Base Pan	AS-90577-12	AS-90577-12	AS-90577-12	AS-90577-12
INSIDE CABINET:						
G		Entry Plate	AE-90614-02	AE-90614-02	AE-90614-02	AE-90614-02
H		Entry Plate	AE-90614-01	AE-90614-01	AE-90614-01	AE-90614-01
J		Heat Compartment Side	AE-90598-09	AE-90598-09	AE-90598-09	AE-90598-09
K		Blower Deck	AS-90592-13	AS-90592-13	AS-90592-13	AS-90592-13
L		Wireway	AE-90718-05	AE-90718-05	AE-90718-05	AE-90718-05
M		Condenser Bulkhead	AS-90609-18	AS-90609-18	AS-90609-18	AS-90609-23

No.	Notes	MODEL TECHNICAL VARIATION COOLING CAPACITY	RLNL- H 090	RLNL- H 102	RLNL- H 120	RLNL- H 151
PANELS - FRONT						
1		Control Box Door Assembly - w/Hinges, Latch, Gasket, Insulation	AS-102872-14H	AS-102872-14H	AS-102872-14H	AS-102872-14H
2a		Bracket - Top Panel (Left)	AS-102859-16H	AS-102859-16H	AS-102859-16H	AS-102859-16H
2b		Bracket - Top Panel (Center)	AS-102859-15H	AS-102859-15H	AS-102859-15H	AS-102859-15H
2c		Post - Blower Section	AS-102682-12H	AS-102682-12H	AS-102682-12H	AS-102682-12H
3a		Bracket - Bottom Panel (Left)	AS-102859-17H	AS-102859-17H	AS-102859-17H	AS-102859-17H
3b		Bracket - Blower/Heater Compartment	AS-102859-14H	AS-102859-14H	AS-102859-14H	AS-102859-14H
3c		Bracket - Bottom Panel (Right)	AS-102859-13H	AS-102859-13H	AS-102859-13H	AS-102859-13H
		Latch Assembly - Control Box Door (2)	64-103465-01	64-103465-01	64-103465-01	64-103465-01
4		Post Assembly - Indoor Coil Section	AS-90620-17H	AS-90620-17H	AS-90620-17H	AS-90620-17H
5		Control Box Cover	AE-90713-02	AE-90713-02	AE-90713-02	AE-90713-02
6		Control Mounting Plate	AE-90712-06	AE-90712-06	AE-90712-06	AE-90712-06
7a		Low Voltage Shield (Before F3512) - Upper Straight	AE-90742-08	AE-90742-08	AE-90742-08	AE-90742-08
7a		Low Voltage Shield (After F3512) - Upper Angled	AE-90742-12	AE-90742-12	AE-90742-12	AE-90742-12
7b		Low Voltage Shield (Before F3512) - Lower	AE-90742-03	AE-90742-03	AE-90742-03	AE-90742-03
7b		Low Voltage Shield (After F3512) - Lower	AE-90742-11	AE-90742-11	AE-90742-11	AE-90742-11
7c		Low Voltage Shield - Middle Strip	AE-90742-09	AE-90742-09	AE-90742-09	AE-90742-09
8		Control Box Back Insulation Assembly	AS-90601-06	AS-90601-06	AS-90601-06	AS-90601-06
9		Mounting Bracket	AE-90779-02	AE-90779-02	AE-90779-02	AE-90779-02
10		Electric Heat Blockoff Plate Assembly (models with no heat)	AS-90720-02	AS-90720-02	AS-90720-02	AS-90720-02
11		Terminal Block				
12		Electric Heat Access Panel Assembly - w/Hinges, Latch, Gasket, Insulation	AS-102872-18H	AS-102872-18H	AS-102872-18H	AS-102872-18H
		Latch Assembly - Electric Heat Door (2)	64-103465-01	64-103465-01	64-103465-01	64-103465-01
13		Power Entry Plate Assembly	AS-90774-11H	AS-90774-11H	AS-90774-11H	AS-90774-11H
14		Blower Access Panel Assembly - w/Hinges, Latch, Gasket, Insulation	AS-102872-16H	AS-102872-16H	AS-102872-16H	AS-102872-16H
		Latch Assembly - Blower Access Panel (3)	64-103465-01	64-103465-01	64-103465-01	64-103465-01
16		Heat Mounting Frame Assembly	AS-90754-02	AS-90754-02	AS-90754-02	AS-90754-02
17		Condenser Coil Access Panel-Front	AS-90631-09H	AS-90631-09H	AS-90631-09H	AS-90631-11H
18		Front Corner Post	AS-90701-06H	AS-90701-06H	AS-90701-06H	AS-90701-05H

No.	Notes	MODEL TECHNICAL VARIATION COOLING CAPACITY	RLNL- H 090	RLNL- H 102	RLNL- H 120	RLNL- H 151
PANELS - RIGHT, REAR AND LEFT SIDES						
RIGHT:						
19		Air Stop	N/A	N/A	N/A	N/A
20		Louver Panel Assembly	AS-90789-01H	AS-90789-01H	AS-90789-01H	AS-90789-03H
REAR:						
21		Rear Corner Post	AS-90702-03H	AS-90702-03H	AS-90702-03H	AS-90702-04H
22		Condenser Coil Access Panel-Rear	AS-90631-05H	AS-90631-05H	AS-90631-05H	AS-90631-12H
23		Rear Panel	AS-90618-02H	AS-90618-02H	AS-90618-02H	AS-90618-02H
24		Supply Cover	AS-90626-02H	AS-90626-02H	AS-90626-02H	AS-90626-02H
25		Return Cover	AS-90628-02H	AS-90628-02H	AS-90628-02H	AS-90628-02H
LEFT:						
26		Upper Left Panel	AS-90624-03H	AS-90624-03H	AS-90624-03H	AS-90624-03H
27		Lower Left Panel	AS-90624-04H	AS-90624-04H	AS-90624-04H	AS-90624-04H
28		Left Corner Panel	AS-90755-07H	AS-90755-07H	AS-90755-07H	AS-90755-07H
29		Plate - Receptacle	AS-90756-02H	AS-90756-02H	AS-90756-02H	AS-90756-02H
30		Plate - Disconnect	AS-90756-03H	AS-90756-03H	AS-90756-03H	AS-90756-03H
31		Button Plug (2)	45-22980-06	45-22980-06	45-22980-06	45-22980-06
32		Button Plug	45-22980-05	45-22980-05	45-22980-05	45-22980-05
TOP:						
33		Top Panel Assembly	AS-90616-06H	AS-90616-06H	AS-90616-06H	AS-90616-06H
34		Condenser Top Panel	AS-90703-09H	AS-90703-09H	AS-90703-09H	AS-90703-08H
35		Venturi	AS-90632-03H (2)	AS-90632-03H (2)	AS-90632-03H (2)	AS-90632-03H (2)
36		Wire Grille	95-100906-09 (2)	95-100906-09 (2)	95-100906-09 (2)	95-100906-09 (2)
43		Drain Pan - Removable				

No.	Notes	MODEL TECHNICAL VARIATION COOLING CAPACITY	RLNL- H 180	RLNL- H 210	RLNL- H 240	RLNL- H 300
PANELS - RAILS, BASE PANS, INSIDE CABINET						
BASE RAILS:						
A		Front	AS-90827-03	AS-90827-03	AS-90827-03	AS-90827-03
B		Right	AE-90576-06	AE-90576-06	AE-90576-06	AE-90576-06
C		Rear	AS-90827-04	AS-90827-04	AS-90827-04	AS-90827-04
D		Left	AE-90576-05	AE-90576-05	AE-90576-05	AE-90576-05
BASE PANS:						
E		Outdoor Base Pan	AS-90583-09H	AS-90583-09H	AS-90583-09H	AS-90583-09H
F		Indoor Coil Base Pan - Return Air	AS-90577-09	AS-90577-09	AS-90577-09	AS-90577-09
G		Indoor Coil Base Pan - Supply Air	AS-90577-10	AS-90577-10	AS-90577-10	AS-90577-10
INSIDE CABINET PANEL/PIECES:						
H 1		Entry Plate	AE-90614-01	AE-90614-01	AE-90614-01	AE-90614-01
H 2		Entry Plate - Rooftop	AE-90614-02	AE-90614-02	AE-90614-02	AE-90614-02
I		Post - Blower Section	AS-102682-07H	AS-102682-07H	AS-102682-07H	AS-102682-07H
J		Heat Compartment Side	AE-90598-08	AE-90598-08	AE-90598-08	AE-90598-08
K		Blower Deck Assembly	AS-90592-11	AS-90592-11	AS-90592-11	AS-90592-11
L		Wireway	AE-90718-04	AE-90718-04	AE-90718-04	AE-90718-04
M		Condenser Bulkhead	AS-90609-17	AS-90609-17	AS-90609-17	AS-90609-17
N		Divider Panel - Between Coils	AE-90735-05	AE-90735-05	AE-90735-05	AE-90735-05
O		Bulkhead Support	AE-102725-01	AE-102725-01	AE-102725-01	AE-102725-01
P		Primary Drain Pan	AS-103030-02	AS-103030-02	AS-103030-02	AS-103030-02
		Air Stop - Outdoor Coil- Front	AE-90706-13	AE-90706-13	AE-90706-13	AE-90706-13
		Air Stop - Outdoor Coil- Rear	AE-90706-12	AE-90706-12	AE-90706-12	AE-90706-12
U		Coil Support Top	AE-102700-03	AE-102700-03	AE-102700-03	AE-102700-03

No.	Notes	MODEL TECHNICAL VARIATION COOLING CAPACITY	RLNL- H 180	RLNL- H 210	RLNL- H 240	RLNL- H 300
PANELS - FRONT AND RIGHT SIDES						
1		Control Box Door Assembly - w/Hinges, Latch, Gasket, Insulation	AS-102872-04H	AS-102872-04H	AS-102872-04H	AS-102872-04H
2a		Bracket - Top Panel (Left)	AS-102859-01H	AS-102859-01H	AS-102859-01H	AS-102859-01H
2b		Bracket - Top Panel (Center)	AS-102969-01H	AS-102969-01H	AS-102969-01H	AS-102969-01H
2c		Post - Blower Section	AS-102682-07H	AS-102682-07H	AS-102682-07H	AS-102682-07H
3a		Bracket - Bottom Panel (Left)	AS-102859-02H	AS-102859-02H	AS-102859-02H	AS-102859-02H
3b		Bracket - Blower/Heater Compartment	AS-102859-11H	AS-102859-11H	AS-102859-11H	AS-102859-11H
3c		Bracket - Bottom Panel (Right)	AS-102859-12H	AS-102859-12H	AS-102859-12H	AS-102859-12H
4		Post Assembly - Indoor Coil Section	AS-90620-15H	AS-90620-15H	AS-90620-15H	AS-90620-15H
5		Control Box Cover	AE-90713-05	AE-90713-05	AE-90713-05	AE-90713-05
6		Control Mounting Panel	AE-90712-05	AE-90712-05	AE-90712-05	AE-90712-05
7a		Low Voltage Shield - Control Box (Upper Right)	AE-90742-07	AE-90742-07	AE-90742-07	AE-90742-07
7b		Low Voltage Shield - Control Box (Lower Left)	AE-90742-06	AE-90742-06	AE-90742-06	AE-90742-06
7c		Thermostat Chase Cover	AE-102722-01	AE-102722-01	AE-102722-01	AE-102722-01
8		Control Box Back	AS-90601-05	AS-90601-05	AS-90601-05	AS-90601-05
9		Mounting Bracket	AE-90779-02	AE-90779-02	AE-90779-02	AE-90779-02
10		Electric Heat Blockoff Plate Assembly (models with no heat)	AS-90720-03	AS-90720-03	AS-90720-03	AS-90720-03
11		Terminal Block - Heat Compartment	See Electrical Group			
12		Electric Heat Access Panel Assembly - w/Hinges, Latch, Gasket, Insulation	AS-102872-06H	AS-102872-06H	AS-102872-06H	AS-102872-06H
13		Power Entry Plate Assembly	AS-90774-13H	AS-90774-13H	AS-90774-13H	AS-90774-13H
14		Blower Access Panel Assembly - w/Hinges, Latch, Gasket, Insulation	AS-102872-02H	AS-102872-02H	AS-102872-02H	AS-102872-02H
15		Ground Lug - Heat Compartment	See Electrical Group			
16		Mounting Frame - Heat Exchanger Frame	AS-90754-04	AS-90754-04	AS-90754-04	AS-90754-04
17		Condenser Coil Access Panel-Front	AS-90734-08H	AS-90734-08H	AS-90734-08H	AS-90734-08H
38c		Post - Outdoor Coil (Front)	See Coil Group			
39c		Post - Outdoor Coil (Rear)	See Coil Group			
		Louver Panel (Hail Guard) - Left	AS-90789-10H	AS-90789-10H	AS-90789-10H	AS-90789-10H
		Louver Panel (Hail Guard) - Right	AS-90789-09H	AS-90789-09H	AS-90789-09H	AS-90789-09H

No.	Notes	MODEL TECHNICAL VARIATION COOLING CAPACITY	RLNL- H 180	RLNL- H 210	RLNL- H 240	RLNL- H 300
PANELS - REAR, LEFT, AND TOP						
REAR:						
22		Condenser Coil Access Panel-Rear	AS-90734-09H	AS-90734-09H	AS-90734-09H	AS-90734-09H
23		Rear Panel - Right	AS-90618-08H	AS-90618-08H	AS-90618-08H	AS-90618-08H
24		Supply Cover	AS-90628-03H	AS-90628-03H	AS-90628-03H	AS-90628-03H
25		Return Cover	AS-90628-04H	AS-90628-04H	AS-90628-04H	AS-90628-04H
LEFT:						
26		Upper Left Panel	AS-90624-09H	AS-90624-09H	AS-90624-09H	AS-90624-09H
27		Lower Left Panel	AS-90624-08H	AS-90624-08H	AS-90624-08H	AS-90624-08H
28		Left Corner Panel Assembly	AS-90755-05H	AS-90755-05H	AS-90755-05H	AS-90755-05H
		Bracket - Left Corner Panel Assembly (2)	AE-90779-01	AE-90779-01	AE-90779-01	AE-90779-01
		Gasket for receptacle plate	68-42514-08	68-42514-08	68-42514-08	68-42514-08
		Gasket for disconnect plate	68-42514-09	68-42514-09	68-42514-09	68-42514-09
29		Plate - Install inside Panel-Receptacle	AS-90756-02H	AS-90756-02H	AS-90756-02H	AS-90756-02H
30		Plate - Install inside Panel-Disconnect	AS-90756-03H	AS-90756-03H	AS-90756-03H	AS-90756-03H
31		Button Plug (3)	45-42558-01	45-42558-01	45-42558-01	45-42558-01
32		Star Bushing (3)	45-18515-01	45-18515-01	45-18515-01	45-18515-01
TOP:						
33a		Top Panel Assembly - Right	AS-90616-04H	AS-90616-04H	AS-90616-04H	AS-90616-04H
33b		Top Panel Assembly - Left	AS-90616-05H	AS-90616-05H	AS-90616-05H	AS-90616-05H
34a		Top Panel - Front	AS-90633-10H	AS-90633-10H	AS-90633-10H	AS-90633-10H
34b		Top Panel - Middle	AS-90633-12H	AS-90633-12H	AS-90633-11H	AS-90633-11H
34c		Top Panel - Rear	AS-90633-09H	AS-90633-09H	AS-90633-09H	AS-90633-09H
35		Venturi	AS-90632-03H (4)	AS-90632-03H (4)	AS-90632-03H (4)	AS-90632-03H (4)
36		Wire Grille	95-100906-09 (4)	95-100906-09 (4)	95-100906-09 (6)	95-100906-09 (6)
43		Drain Pan - Removable	See Coil Group			

No.	Notes	MODEL TECHNICAL VARIATION COOLING CAPACITY ELECTRICAL DESIGNATION	RLNL- H 090 C	RLNL- H 090 D	RLNL- H 102 C	RLNL- H 102 D
ELECTRIC GROUP						
11		Terminal Block	45-41669-01	45-41669-01	45-41669-01	45-41669-01
		Outlet Box	45-41952-02	45-41952-02	45-41952-02	45-41952-02
		Receptacle Cover	45-41953-02	45-41953-02	45-41953-02	45-41953-02
		Receptacle - Ground Fault	45-41954-01	45-41954-01	45-41954-01	45-41954-01
CONTROL BOX COMPONENTS:						
57	Stk	Transformer - Control	46-42515-04	46-42515-05	46-42515-04	46-42515-05
58a		Double Row Terminal Block	45-42548-02	45-42548-02	45-42548-02	45-42548-02
58b	Stk	Relay - Blower	42-21571-08	42-21571-08	42-21571-08	42-21571-08
58c		Ground Lug	45-19000-02	45-19000-02	45-19000-02	45-19000-02
59	Stk	Blower Relay	42-21571-08	42-21571-08	42-21571-08	42-21571-08
		Pressure Switch Assembly - (Clogged Filter and Fan Proving)	42-103320-27	42-103320-27	42-103320-27	42-103320-27
		Comfort Alert (2)	42-101504-03	42-101504-03	42-101504-03	42-101504-03
		Low Ambient Control Assembly (2)	AS-103034-01	AS-103034-01	AS-103034-01	AS-103034-01
60		Capacitor - Fan Motor	See Fan Group			
		High Pressure Control	See Coil Group			
		Low Pressure Control	See Coil Group			
61b		Unit Controller (RTU-C)	47-102883-02	47-102883-02	47-102883-02	47-102883-02
61c		Variable Frequency Drive (VFD) - Drive Package R	47-104280-01	47-104285-01	47-104280-01	47-104285-01
61c		Variable Frequency Drive (VFD) - Drive Package S	47-104280-01	47-104285-01	47-104281-01	47-104286-01
61c		Variable Frequency Drive (VFD) - Drive Package T	47-104281-01	47-104286-01	N/A	N/A
62a	Stk	Compressor Contactor	42-102664-08	42-102664-08	42-102664-08	42-102664-08
62b	Stk	Compressor Contactor	42-102664-08	42-102664-08	42-102664-08	42-102664-08
WIRING HARNESES:						
		Wiring Harness - Motor #1	See Fan Group			
		Wiring Harness - Motor #2	See Fan Group			
		Wiring Harness - 8 Pin to (4 Connectors and 2 Temperature Sensors) - See Note 1	45-42522-98	45-42522-98	45-42522-98	45-42522-98
		Wiring Harness - Twist-Loc (12 Pin and 4 Pin) to 9 Pin	45-42522-100	45-42522-100	45-42522-100	45-42522-100
		Jumper - 7 Pin Connector	45-42522-104	45-42522-104	45-42522-104	45-42522-104
		Wiring Harness - 4 Pin to Variable Frequency Drive (VFD)	45-42522-120	45-42522-120	45-42522-120	45-42522-120
		Wiring Harness - Compressor Control (14 Pin to Four 2 Pin Connectors and Three Temperature Sensors) - See Note 1	45-42522-99	45-42522-99	45-42522-99	45-42522-99
		Plug Harness - Compressor	See Compressor Group			
		Wirng Harness - Main Power	45-42522-09	45-42522-09	45-42522-09	45-42522-09
		Bypass Plug - Economizer 12 Pin	AS-61997-55	AS-61997-55	AS-61997-55	AS-61997-55
		Wiring Harness - 6 Pin to Heater Kit	45-102706-09	45-102706-09	45-102706-09	45-102706-09

No.	Notes	MODEL TECHNICAL VARIATION COOLING CAPACITY ELECTRICAL DESIGNATION	RLNL- H 120 C	RLNL- H 120 D	RLNL- H 151 C	RLNL- H 151 D
ELECTRIC GROUP						
11		Terminal Block	45-41669-01	45-41669-01	45-41669-01	45-41669-01
		Outlet Box	45-41952-02	45-41952-02	45-41952-02	45-41952-02
		Receptacle Cover	45-41953-02	45-41953-02	45-41953-02	45-41953-02
		Receptacle - Ground Fault	45-41954-01	45-41954-01	45-41954-01	45-41954-01
CONTROL BOX COMPONENTS:						
57	Stk	Transformer - Control	46-42515-04	46-42515-05	46-42515-04	46-42515-05
58a		Double Row Terminal Block	45-42548-02	45-42548-02	45-42548-02	45-42548-02
58b	Stk	Relay - Blower	42-21571-08	42-21571-08	42-21571-08	42-21571-08
58c		Ground Lug	45-19000-02	45-19000-02	45-19000-02	45-19000-02
59	Stk	Blower Relay	42-21571-08	42-21571-08	42-21571-08	42-21571-08
		Pressure Switch Assembly - (Clogged Filter and Fan Proving)	42-103320-27	42-103320-27	42-103320-27	42-103320-27
		Comfort Alert (2)	42-101504-03	42-101504-03	42-101504-03	42-101504-03
		Low Ambient Control Assembly (2)	AS-103034-01	AS-103034-01	AS-103034-01	AS-103034-01
60		Capacitor - Fan Motor	See Fan Group			
		High Pressure Control	See Coil Group			
		Low Pressure Control	See Coil Group			
61b		Unit Controller (RTU-C)	47-102883-02	47-102883-02	47-102883-02	47-102883-02
61c		Variable Frequency Drive (VFD) - Drive Package R	47-104280-01	47-104285-01	47-104281-01	47-104286-01
61c		Variable Frequency Drive (VFD) - Drive Package S	47-104281-01	47-104286-01	47-104282-01	47-104287-01
62	Stk	Compressor Contactor	42-22464-01	42-22464-01	42-22464-01	42-22464-01
WIRING HARNESES:						
		Wiring Harness - Motor #1	See Fan Group			
		Wiring Harness - Motor #2	See Fan Group			
		Wiring Harness - 8 Pin to (4 Connectors and 2 Temperature Sensors) - See Note 1	45-42522-98	45-42522-98	45-42522-98	45-42522-98
		Wiring Harness - Twist-Loc (12 Pin and 4 Pin) to 9 Pin	45-42522-100	45-42522-100	45-42522-100	45-42522-100
		Jumper - 7 Pin Connector	45-42522-104	45-42522-104	45-42522-104	45-42522-104
		Wiring Harness - Compressor Control (14 Pin to Four 2 Pin Connectors and Three Temperature Sensors) - See Note 1	45-42522-99	45-42522-99	45-42522-99	45-42522-99
		Plug Harness - Compressor	See Compressor Group			
		Wirng Harness - Main Power	45-42522-09	45-42522-09	45-42522-09	45-42522-09
		Bypass Plug - Economizer 12 Pin	AS-61997-55	AS-61997-55	AS-61997-55	AS-61997-55
		Wiring Harness - 6 Pin to Heater Kit	45-102706-09	45-102706-09	45-102706-09	45-102706-09

No.	Notes	MODEL TECHNICAL VARIATION COOLING CAPACITY ELECTRICAL DESIGNATION	RLNL-	RLNL-	RLNL-	RLNL-
			H 180 C	H 210 C	H 240 C	H 300 C
ELECTRIC GROUP						
11		Terminal Block - Heater Compartment	45-21134-04	45-21134-04	45-21134-04	45-21134-04
15		Ground Lug - Heater Compartment	45-19000-02	45-19000-02	45-19000-02	45-19000-02
CONTROL BOX COMPONENTS:						
57a	Stk	Transformer - Control	46-42515-04	46-42515-04	46-42515-04	46-42515-04
58a		Terminal Block - Double Row	45-42548-02	45-42548-02	45-42548-02	45-42548-02
58b		Terminal Block	45-21134-04	45-21134-04	45-21134-04	45-21134-04
58c		Ground Lug	45-19000-02	45-19000-02	45-19000-02	45-19000-02
58b		Terminal Block - Power Block	45-41765-01	45-41765-01	45-41765-01	45-41765-01
59	Stk	Blower Relay	42-21571-08	42-21571-08	42-21571-08	42-21571-08
		Pressure Switch Assembly - (Clogged Filter and Fan Proving)	42-103320-27	42-103320-27	42-103320-27	42-103320-27
		Low Ambient Control Assembly (2)	AS-103034-01	AS-103034-01	AS-103034-01	AS-103034-01
		Outlet Box	45-41952-02	45-41952-02	45-41952-02	45-41952-02
		Cover - Receptacle	45-41953-02	45-41953-02	45-41953-02	45-41953-02
		Receptacle/Ground Fault	45-41954-01	45-41954-01	45-41954-01	45-41954-01
60		Run Capacitor	See Fan Group			
		High Pressure Control	See Coil Group			
		Low Pressure Control	See Coil Group			
61b		Unit Controller (RTU-C)	47-102883-02	47-102883-02	47-102883-02	47-102883-02
61c		Variable Frequency Drive (VFD) - Drive Package R	47-104281-01	47-104281-01	47-104281-01	47-104281-01
61c		Variable Frequency Drive (VFD) - Drive Package S	47-104282-01	47-104282-01	47-104282-01	47-104282-01
62a	Stk	Compressor Contactor	42-102664-12	42-102664-12	42-102664-12	42-22464-04
62b	Stk	Compressor Contactor	42-102664-12	42-102664-12	42-102664-12	42-22464-04
62c		Comfort Alert (2)	42-101504-03	42-101504-03	42-101504-03	42-101504-03
WIRING HARNESES:						
		Wiring Harness - Motor #1	See Fan Group			
		Wiring Harness - Motor #2	See Fan Group			
		Plug Harness - Compressor	See Compressor Group			
		Wiring Harness - Main Power	45-42522-92	45-42522-92	45-42522-92	45-42522-92
		Bypass Plug - Economizer 12 Pin	AS-61997-55	AS-61997-55	AS-61997-55	AS-61997-55
		Wiring Harness - 6 Pin to Heater Kit	45-42522-91	45-42522-91	45-42522-91	45-42522-91
		Wiring Harness - Economizer (12 pin and 4 pin to 9 pin)	45-42522-93	45-42522-93	45-42522-93	45-42522-93
		Wire Harness Assembly - Compressor Control (14 pin to 3 Temperature Sensors and 4 Connectors)	45-42522-78	45-42522-78	45-42522-78	45-42522-78

No.	Notes	MODEL TECHNICAL VARIATION COOLING CAPACITY ELECTRICAL DESIGNATION	RLNL-	RLNL-	RLNL-	RLNL-
			H 180 D	H 210 D	H 240 D	H 300 D
ELECTRIC GROUP						
11		Terminal Block - Heater Compartment	45-21134-04	45-21134-04	45-21134-04	45-21134-04
15		Ground Lug - Heater Compartment	45-19000-02	45-19000-02	45-19000-02	45-19000-02
CONTROL BOX COMPONENTS:						
57a	Stk	Transformer - Control	46-42515-05	46-42515-05	46-42515-05	46-42515-05
58a		Terminal Block - Double Row	45-42548-02	45-42548-02	45-42548-02	45-42548-02
58b		Terminal Block	45-21134-04	45-21134-04	45-21134-04	45-21134-04
58c		Ground Lug	45-19000-02	45-19000-02	45-19000-02	45-19000-02
58b		Terminal Block - Power Block	45-41765-01	45-41765-01	45-41765-01	45-41765-01
59	Stk	Blower Relay	42-21571-08	42-21571-08	42-21571-08	42-21571-08
		Pressure Switch Assembly - (Clogged Filter and Fan Proving)	42-103320-27	42-103320-27	42-103320-27	42-103320-27
		Comfort Alert (2)	42-101504-03	42-101504-03	42-101504-03	42-101504-03
		Low Ambient Control Assembly (2)	AS-103034-01	AS-103034-01	AS-103034-01	AS-103034-01
		Outlet Box	45-41952-02	45-41952-02	45-41952-02	45-41952-02
		Cover - Receptacle	45-41953-02	45-41953-02	45-41953-02	45-41953-02
		Receptacle/Ground Fault	45-41954-01	45-41954-01	45-41954-01	45-41954-01
60		Run Capacitor	See Fan Group			
		High Pressure Control	See Coil Group			
		Low Pressure Control	See Coil Group			
61b		Unit Controller (RTU-C)	47-102883-02	47-102883-02	47-102883-02	47-102883-02
61c		Variable Frequency Drive (VFD) - Drive Package R	47-104286-01	47-104286-01	47-104286-01	47-104286-01
61c		Variable Frequency Drive (VFD) - Drive Package S	47-104287-01	47-104287-01	47-104287-01	47-104287-01
62	Stk	Compressor Contactor (2)	42-102664-12	42-102664-12	42-102664-12	42-22464-04
WIRING HARNESES:						
		Wiring Harness - Motor #1	See Fan Group			
		Wiring Harness - Motor #2	See Fan Group			
		Plug Harness - Compressor	See Compressor Group			
		Wiring Harness - Main Power	45-42522-92	45-42522-92	45-42522-92	45-42522-92
		Bypass Plug - Economizer 12 Pin	AS-61997-55	AS-61997-55	AS-61997-55	AS-61997-55
		Wiring Harness - 6 Pin to Heater Kit	45-42522-91	45-42522-91	45-42522-91	45-42522-91
		Wiring Harness - Economizer (12 pin and 4 pin to 9 pin)	45-42522-93	45-42522-93	45-42522-93	45-42522-93

31-May-2014

92-42800-RLNL-H

	Wire Harness Assembly - Compressor Control (14 pin to 3 Temperature Sensors and 4 Connectors) - See Note 1	45-42522-78	45-42522-78	45-42522-78	45-42522-78
--	--	-------------	-------------	-------------	-------------

No.	Notes	MODEL TECHNICAL VARIATION COOLING CAPACITY ELECTRICAL DESIGNATION	RLNL-	RLNL-	RLNL-	RLNL-
			H 090 C	H 090 D	H 102 C	H 102 D
ELECTRIC GROUP						
52	Stk	Fan Motor (2)	51-42534-24	51-42534-25	51-42534-24	51-42534-25
		Wiring Harness - Motor #1 (7 wire)	45-102706-01	45-102706-01	45-102706-01	45-102706-01
		Wiring Harness - Motor #2 (5 wire)	45-102706-02	45-102706-02	45-102706-02	45-102706-02
53	Stk	Fan Blade (2)	70-42572-04	70-42572-04	70-42572-04	70-42572-04
60	Stk	Capacitor - Fan Motor (2)	43-100496-12	43-100496-12	43-100496-12	43-100496-12

No.	Notes	MODEL TECHNICAL VARIATION COOLING CAPACITY ELECTRICAL DESIGNATION	RLNL-	RLNL-	RLNL-	RLNL-
			H 120 C	H 120 D	H 151 C	H 151 D
ELECTRIC GROUP						
52	Stk	Fan Motor (2)	51-42534-24	51-42534-25	51-42534-29	51-42534-28
		Wiring Harness - Motor #1 (7 wire)	45-102706-01	45-102706-01	45-102706-03	45-102706-03
		Wiring Harness - Motor #2 (5 wire)	45-102706-02	45-102706-02	45-102706-04	45-102706-04
53	Stk	Fan Blade (2)	70-42572-04	70-42572-04	70-103693-01	70-103693-01
60	Stk	Capacitor - Fan Motor (2)	43-100496-12	43-100496-12	43-100496-17	43-100496-12

No.	Notes	MODEL TECHNICAL VARIATION COOLING CAPACITY ELECTRICAL DESIGNATION	RLNL- H 180 C	RLNL- H 210 C	RLNL- H 240 C	RLNL- H 300 C
FAN GROUP						
52	Stk	Fan Motor	51-42534-24 (4)	51-42534-24 (4)	51-42534-24 (6)	51-42534-24 (6)
		Wiring Harness - Motor #1 & #4	45-42522-71	45-42522-71	45-42522-71	45-42522-71
		Wiring Harness - Motor #2 & #5	N/A	N/A	45-42522-70	45-42522-70
		Wiring Harness - Motor #3 & #6	45-42522-69	45-42522-69	45-42522-69	45-42522-69
53	Stk	Fan Blade	70-42572-04 (4)	70-42572-04 (4)	70-42572-04 (6)	70-42572-04 (6)
60	Stk	Capacitor - Fan Motor	43-100496-12 (4)	43-100496-12 (4)	43-100496-12 (6)	43-100496-12 (6)

No.	Notes	MODEL TECHNICAL VARIATION COOLING CAPACITY ELECTRICAL DESIGNATION	RLNL- H 180 D	RLNL- H 210 D	RLNL- H 240 D	RLNL- H 300 D
FAN GROUP						
52	Stk	Fan Motor	51-42534-25 (4)	51-42534-25 (4)	51-42534-25 (6)	51-42534-25 (6)
		Wiring Harness - Motor #1 & #4	45-42522-71	45-42522-71	45-42522-71	45-42522-71
		Wiring Harness - Motor #2 & #5	N/A	N/A	45-42522-70	45-42522-70
		Wiring Harness - Motor #3 & #6	45-42522-69	45-42522-69	45-42522-69	45-42522-69
53	Stk	Fan Blade	70-42572-04 (4)	70-42572-04 (4)	70-42572-04 (6)	70-42572-04 (6)
60	Stk	Capacitor - Fan Motor	43-100496-12 (4)	43-100496-12 (4)	43-100496-12 (6)	43-100496-12 (6)

No.	Notes	MODEL TECHNICAL VARIATION COOLING CAPACITY DRIVE PACKAGE	RLNL-	RLNL-	RLNL-	RLNL-	RLNL-
			H 090 R	H 090 S	H 090 T	H 102 R	H 102 S
BLOWER ASSEMBLY GROUP - BELT DRIVE							
64	Stk	Blower Assembly (Includes Items 65-68)	AS-90757-01	AS-90757-01	AS-90757-01	AS-90757-01	AS-90757-01
65	Stk	Blower Wheel	70-42540-02	70-42540-02	70-42540-02	70-42540-02	70-42540-02
66		Bearing Frame Tri-Arm (2)	70-42540-05	70-42540-05	70-42540-05	70-42540-05	70-42540-05
67		Bearing with Bearing Lock (2)	70-41854-02	70-41854-02	70-41854-02	70-41854-02	70-41854-02
68	Stk	Blower Shaft	70-42540-04	70-42540-04	70-42540-04	70-42540-04	70-42540-04
69		Blower Mounting Angles (2)	AE-90708-01	AE-90708-01	AE-90708-01	AE-90708-01	AE-90708-01
		Blower Angle Stop	AE-90709-02	AE-90709-02	AE-90709-02	AE-90709-02	AE-90709-02
70		Motor Mount	AE-90710-04	AE-90710-04	AE-90710-04	AE-90710-04	AE-90710-04
71	Stk	Blower Motor (C/D Voltages)	51-102826-14	51-102826-14	51-102826-15	51-102826-14	51-102826-15
72	Stk	Variable Sheave	71-42538-02	71-42538-02	71-42538-02	71-42538-02	71-42538-02
73	Stk	Belt	71-40438-30	71-40438-27	71-40438-23	71-40438-27	71-40438-23
74	Stk	Fixed Sheave	71-100774-05	71-100774-02	71-100774-04	71-100774-02	71-100774-04
		Key	94-42551-09	94-42551-09	94-42551-09	94-42551-09	94-42551-09
	Stk	Bushing for Sheave w/Screws	71-100773-01	71-100773-01	71-100773-01	71-100773-01	71-100773-01

No.	Notes	MODEL TECHNICAL VARIATION COOLING CAPACITY DRIVE PACKAGE	RLNL-	RLNL-	RLNL-	RLNL-	
			H 120 R	H 120 S	H 151 R	H 151 S	
BLOWER ASSEMBLY GROUP - BELT DRIVE							
64	Stk	Blower Assembly (Includes Items 65-68)	AS-90757-01	AS-90757-01	AS-90757-01	AS-90757-01	
65	Stk	Blower Wheel	70-42540-02	70-42540-02	70-42540-02	70-42540-02	
66		Bearing Frame Tri-Arm (2)	70-42540-05	70-42540-05	70-42540-05	70-42540-05	
67		Bearing with Bearing Lock (2)	70-41854-02	70-41854-02	70-41854-02	70-41854-02	
68	Stk	Blower Shaft	70-42540-04	70-42540-04	70-42540-04	70-42540-04	
69		Blower Mounting Angles (2)	AE-90708-01	AE-90708-01	AE-90708-01	AE-90708-01	
		Blower Angle Stop	AE-90709-02	AE-90709-02	AE-90709-02	AE-90709-02	
70		Motor Mount	AE-90710-04	AE-90710-04	AE-90710-04	AE-90710-04	
71	Stk	Blower Motor (C/D Voltages)	51-102826-14	51-102826-15	51-102826-15	51-102826-06	
72	Stk	Variable Sheave	71-42538-02	71-42538-02	71-42538-02	71-40427-11	
73	Stk	Belt	71-40438-27	71-40438-23	71-40438-23	71-40438-31	
74	Stk	Fixed Sheave	71-100774-02	71-100774-04	71-100774-01	71-26254-06	
		Key	94-42551-09	94-42551-09	94-42551-09	94-42551-09	
	Stk	Bushing for Sheave w/Screws	71-100773-01	71-100773-01	71-100773-01	71-100773-01	

No.	Notes	MODEL TECHNICAL VARIATION COOLING CAPACITY DRIVE PACKAGE	RLNL- H 180 R	RLNL- H 210 R	RLNL- H 240 R	RLNL- H 300 R
BLOWER ASSEMBLY GROUP - BELT DRIVE						
64	Stk	Blower Assembly (2) - Includes Items 65 and 66	AS-90757-06	AS-90757-06	AS-90757-06	AS-90757-06
65	Stk	Blower Wheel (2)	70-42564-02	70-42564-02	70-42564-02	70-42564-02
66		Bearing Frame Tri-Arm (4)	70-42284-04	70-42284-04	70-42284-04	70-42284-04
67		Bearing with Bearing Lock (4)	70-41854-02	70-41854-02	70-41854-02	70-41854-02
68	Stk	Blower Shaft	70-42564-03	70-42564-03	70-42564-03	70-42564-03
69		Blower Connector Angles (3)	AE-90798-01	AE-90798-01	AE-90798-01	AE-90798-01
70		Motor Mount	AE-90710-03	AE-90710-03	AE-90710-03	AE-90710-03
71	Stk	Blower Motor - C/D Voltages	51-102826-15	51-102826-15	51-102826-06	51-102826-07
72	Stk	Variable Sheave	71-42538-02	71-42538-02	71-40427-04	71-40427-59
73	Stk	Belt	71-40438-43	71-40438-42	71-40438-51	71-40438-54
74a	Stk	Fixed Sheave	71-100774-08	71-100774-09	71-100774-06	71-100774-06
74b		Key	94-42551-09	94-42551-09	94-42551-09	94-42551-09
74c	Stk	Bushing for Sheave w/Screws	71-100773-01	71-100773-01	71-100773-01	71-100773-01

No.	Notes	MODEL TECHNICAL VARIATION COOLING CAPACITY DRIVE PACKAGE	RLNL- H 180 S	RLNL- H 210 S	RLNL- H 240 S	RLNL- H 300 S
BLOWER ASSEMBLY GROUP - BELT DRIVE						
64	Stk	Blower Assembly (2) - Includes Items 65 and 66	AS-90757-06	AS-90757-06	AS-90757-06	AS-90757-06
65	Stk	Blower Wheel (2)	70-42564-02	70-42564-02	70-42564-02	70-42564-02
66		Bearing Frame Tri-Arm (4)	70-42284-04	70-42284-04	70-42284-04	70-42284-04
67		Bearing with Bearing Lock (4)	70-41854-02	70-41854-02	70-41854-02	70-41854-02
68	Stk	Blower Shaft	70-42564-03	70-42564-03	70-42564-03	70-42564-03
69		Blower Connector Angles (3)	AE-90798-01	AE-90798-01	AE-90798-01	AE-90798-01
70		Motor Mount	AE-90710-03	AE-90710-03	AE-90710-03	AE-90710-03
71	Stk	Blower Motor - C/D Voltages	51-102826-06	51-102826-06	51-102826-07	51-102826-10
72	Stk	Variable Sheave	71-40427-04	71-40427-04	71-40427-59	71-40427-60
73	Stk	Belt	71-40438-46	71-40438-46	71-40438-54	71-102847-01
74a	Stk	Fixed Sheave	71-100774-08	71-100774-08	71-100774-06	71-100774-07
74b		Key	94-42551-09	94-42551-09	94-42551-09	94-42551-09
74c	Stk	Bushing for Sheave w/Screws	71-100773-01	71-100773-01	71-100773-01	71-100773-01

No.	Notes	MODEL TECHNICAL VARIATION COOLING CAPACITY	RLNL- H 090	RLNL- H 102	RLNL- H 120	RLNL- H 151
COIL GROUP						
EVAPORATOR COIL:						
42	Stk	Evaporator Coil	AS-90656-68	AS-90656-77	AS-90656-69	AS-90656-75
		TXV - Circuit #1	61-101351-11	61-101351-12	61-101351-13	61-101351-14
		TXV - Circuit #2	61-101351-11	61-101351-12	61-101351-13	61-101351-14
		Bulb Strap Kit - TXV (2)	64-101357-01	64-101357-01	64-101357-01	64-101357-01
43	Stk	Drain Pan - Removable	68-102699-02	68-102699-02	68-102699-02	68-102699-02
FILTER PIECES:						
44		Filter Frame	AE-90606-11	AE-90606-11	AE-90606-11	AE-90606-11
45		Air Stop - Bottom	AE-102712-10	AE-102712-10	AE-102712-10	AE-102712-10
46		Air Stop - Side	AE-102712-06	AE-102712-06	AE-102712-06	AE-102712-06
47		Top Air Stop Assy	AS-90604-06	AS-90604-06	AS-90604-06	AS-90604-06
48		Filter Channel (2)	AE-102712-08	AE-102712-08	AE-102712-08	AE-102712-08
49		Filter Slide (2)	AE-102712-11	AE-102712-11	AE-102712-11	AE-102712-11
50		Filter (6)	54-42541-01	54-42541-01	54-42541-01	54-42541-01
CONDENSER COIL:						
37a	Stk	Condenser Coil	AS-102704-03	AS-90656-25	AS-90656-42	65-101478-08
37b	Stk	Condenser Coil	AS-102704-03	AS-90656-25	AS-90656-42	65-101478-08
38		Front Air Stop	AE-90706-19	AE-90706-19	AE-90706-19	N/A
39		Rear Air Stop	AE-90706-18	AE-90706-18	AE-90706-18	N/A
40a,b		Bottom Retainer (2)	AE-90700-03	AE-90700-02	AE-90700-02	N/A
40a		Micro-Channel Coil Mounting Base - Left	N/A	N/A	N/A	68-102752-01
40b		Micro-Channel Coil Mounting Base - Right	N/A	N/A	N/A	68-102752-02
41a		Top Support - Condenser Coil	AE-90612-09	AE-90612-02	AE-90612-02	AE-90612-13
41b		Top Support - Condenser Bulkhead	AE-90612-03	AE-90612-03	AE-90612-03	AE-90612-05
		Liquid Line Filter Drier	83-22755-05 (2)	83-22755-05 (2)	83-22755-05 (2)	83-22755-05 (2)
		Strap - Filter Drier	AE-102132-01 (2)	AE-102132-01 (2)	AE-102132-01 (2)	AE-102132-01 (2)
		High Pressure Control	See Compressor Group			
		Low Pressure Control	See Compressor Group			

No.	Notes	MODEL TECHNICAL VARIATION COOLING CAPACITY	RLNL- H 180	RLNL- H 210	RLNL- H 240	RLNL- H 300
COIL GROUP						
EVAPORATOR COIL GROUP:						
40		Air Flow Panel	AS-90828-02H	AS-90828-02H	AS-90828-02H	AS-90828-02H
42	Stk	Complete Coil - Indoor	AS-102821-03	AS-102821-03	AS-102652-03	AS-102428-03
	Stk	TXV/Distributor Assembly - Circuit #1	61-102845-01	61-102845-01	61-102687-01	61-102815-01
	Stk	TXV/Distributor Assembly - Circuit #2	61-102845-01	61-102845-01	61-102687-01	61-102815-01
43	Stk	Drain Pan - Removable	68-102699-01	68-102699-01	68-102699-01	68-102699-01
FILTER PIECES:						
44		Filter Frame	AE-90606-10	AE-90606-10	AE-90606-10	AE-90606-10
45		Air Stop - Bottom	AE-102712-17	AE-102712-17	AE-102712-17	AE-102712-17
46		Air Stop - Side	AE-102712-14	AE-102712-14	AE-102712-14	AE-102712-14
47		Top Air Stop Assembly	AS-90604-04	AS-90604-04	AS-90604-04	AS-90604-04
48		Filter Channel (2)	AE-102712-16	AE-102712-16	AE-102712-16	AE-102712-16
49		Filter Slide (2)	AE-102712-15	AE-102712-15	AE-102712-15	AE-102712-15
50		Filter - 20 in. x 25 in. x 2 in. (8)	54-42541-04	54-42541-04	54-42541-04	54-42541-04
CONDENSER COIL:						
37	Stk	Condenser Coil Assembly (2)	AS-102647-03	AS-103204-03	AS-102666-03	AS-102666-03
38a		Air Stop - Front	AE-90706-13	AE-90706-13	AE-90706-13	AE-90706-13
38b		Corner Brace - Top Front	AS-90706-16H	AS-90706-16H	AS-90706-16H	AS-90706-16H
38c		Post - Front	AS-90706-14H	AS-90706-14H	AS-90706-14H	AS-90706-14H
39a		Air Stop - Rear	AE-90706-12	AE-90706-12	AE-90706-12	AE-90706-12
39b		Corner Brace - Top Rear	AS-90706-17H	AS-90706-17H	AS-90706-17H	AS-90706-17H
39c		Post - Rear	AS-90706-15H	AS-90706-15H	AS-90706-15H	AS-90706-15H
41		Air Stop- Top Right	AS-90753-08H	AS-90753-08H	AS-90753-08H	AS-90753-08H
41a		Top Support - Inner Condenser Coil (2)	AE-90612-21	AE-90612-08	AE-90612-08	AE-90612-08
41b		Top Support - Outer Condenser Coil	AE-90612-20	AE-90612-11	AE-90612-11	AE-90612-11
41c		Top Support - Condenser Bulkhead	AE-90612-18	AE-90612-06	AE-90612-06	AE-90612-06
		Filter Drier - Liquid Line (2)	83-22755-11	83-22755-11	83-22755-11	83-22755-11
		High Pressure Control	See Compressor Group			
		Low Pressure Control	See Compressor Group			

No.	Notes	MODEL TECHNICAL VARIATION COOLING CAPACITY ELECTRICAL DESIGNATION	RLNL- H 090 C	RLNL- H 090 D	RLNL- H 102 C	RLNL- H 102 D
COMPRESSOR GROUP						
		Compressor ID:	7897	7898	7940	7941
75	Stk	Compressor #1	55-102045-08S	55-102045-07S	55-102045-34S	55-102045-35S
75	Stk	Compressor #2	55-102045-08S	55-102045-07S	55-102045-34S	55-102045-35S
	Stk	Plug Harness - Compressor #1	45-102708-01	45-102708-01	45-102708-01	45-102708-01
	Stk	Plug Harness - Compressor #2	45-102708-02	45-102708-02	45-102708-02	45-102708-02
	Stk	High Pressure Control	47-23699-04	47-23699-04	47-23699-04	47-23699-04
	Stk	Low Pressure Control (2)	47-101529-09	47-101529-09	47-101529-09	47-101529-09
		Compressor ID:			8789	8790
	Stk	Compressor #1			55-102045-93S	55-102045-94S
	Stk	Compressor #2			55-102045-93S	55-102045-94S
	Stk	Plug Harness - Compressor #1			45-102708-01	45-102708-01
	Stk	Plug Harness - Compressor #2			45-102708-02	45-102708-02
	Stk	High Pressure Control			47-23699-04	47-23699-04
	Stk	Low Pressure Control (2)			47-101529-09	47-101529-09

No.	Notes	MODEL TECHNICAL VARIATION COOLING CAPACITY ELECTRICAL DESIGNATION	RLNL- H 120 C	RLNL- H 120 D	RLNL- H 151 C	RLNL- H 151 D
COMPRESSOR GROUP						
		Compressor ID:	7946	7947	8647	8648
75	Stk	Compressor #1	55-102045-27S	55-102045-28S	55-102471-14S	55-102471-16S
75	Stk	Compressor #2	55-102045-27S	55-102045-28S	55-102471-18S	55-102471-19S
	Stk	Plug Harness - Compressor #1	45-102708-01	45-102708-01	45-102708-03	45-102708-03
	Stk	Plug Harness - Compressor #2	45-102708-02	45-102708-02	45-102708-04	45-102708-04
	Stk	High Pressure Control	47-23699-04	47-23699-04	47-23699-04	47-23699-04
	Stk	Low Pressure Control (2)	47-101529-09	47-101529-09	47-101529-09	47-101529-09

No.	Notes	MODEL TECHNICAL VARIATION COOLING CAPACITY ELECTRICAL DESIGNATION	RLNL- H 180 C	RLNL- H 210 C	RLNL- H 240 C	RLNL- H 300 C
COMPRESSOR GROUP						
		Compressor:	7882	8053	7885	7888
75	Stk	Compressor #1	55-23156-20S	55-102471-03S	55-102471-02S	55-102471-13S
75	Stk	Compressor #2	55-23156-20S	55-102471-03S	55-102471-03S	55-102471-13S
	Stk	Plug Harness - Compressor #1	45-42522-73	45-42522-73	45-42522-73	45-42522-73
	Stk	Plug Harness - Compressor #2	45-42522-72	45-42522-72	45-42522-72	45-42522-72
	Stk	High Pressure Control	47-23699-04	47-23699-04	47-23699-04	47-23699-04
	Stk	Low Pressure Control (2)	47-101529-09	47-101529-09	47-101529-09	47-101529-09

No.	Notes	MODEL TECHNICAL VARIATION COOLING CAPACITY ELECTRICAL DESIGNATION	RLNL- H 180 D	RLNL- H 210 D	RLNL- H 240 D	RLNL- H 300 D
COMPRESSOR GROUP						
		Compressor:	7883	8054	7886	7889
75	Stk	Compressor #1	55-23156-21S	55-102471-07S	55-102471-09S	55-102471-08S
75	Stk	Compressor #2	55-23156-21S	55-102471-07S	55-102471-07S	55-102471-08S
	Stk	Plug Harness - Compressor #1	45-42522-73	45-42522-73	45-42522-73	45-42522-73
	Stk	Plug Harness - Compressor #2	45-42522-72	45-42522-72	45-42522-72	45-42522-72
	Stk	High Pressure Control	47-23699-04	47-23699-04	47-23699-04	47-23699-04
	Stk	Low Pressure Control (2)	47-101529-09	47-101529-09	47-101529-09	47-101529-09

No.	Notes	MODEL TECHNICAL VARIATION COOLING CAPACITY ELECTRICAL DESIGNATION	RLNL- H 090-151 C	RLNL- H 090-151 C	RLNL- H 090-151 C	RLNL- H 090-151 C	RLNL- H 090-151 C
ELECTRIC HEATER KITS							
		Electric Element Kits	RXJJ-CC10C	RXJJ-CC15C	RXJJ-CC20C	RXJJ-CC30C	RXJJ-CC31C
		Electric Element Kits	RXJJ-CC40C	RXJJ-CC41C	RXJJ-CC50C		

No.	Notes	MODEL TECHNICAL VARIATION COOLING CAPACITY ELECTRICAL DESIGNATION	RLNL- H 090-151 D	RLNL- H 090-151 D	RLNL- H 090-151 D	RLNL- H 090-151 D	RLNL- H 090-151 D
ELECTRIC HEATER KITS							
		Electric Element Kits	RXJJ-CC10D	RXJJ-CC15D	RXJJ-CC20D	RXJJ-CC30D	RXJJ-CC31D
		Electric Element Kits	RXJJ-CC40D	RXJJ-CC50D			

No.	Notes	MODEL TECHNICAL VARIATION COOLING CAPACITY ELECTRICAL DESIGNATION	RLNL- H 180-300 C	RLNL- H 180-300 C	RLNL- H 180-300 C	RLNL- H 180-300 C	
ELECTRIC HEATER KITS							
		Electric Element Kits	RXJJ-CE20C	RXJJ-CE40C	RXJJ-CE60C	RXJJ-CE75C	

No.	Notes	MODEL TECHNICAL VARIATION COOLING CAPACITY ELECTRICAL DESIGNATION	RLNL- H 180-300 D	RLNL- H 180-300 D	RLNL- H 180-300 D	RLNL- H 180-300 D	
ELECTRIC HEATER KITS							
		Electric Element Kits	RXJJ-CE20D	RXJJ-CE40D	RXJJ-CE60D	RXJJ-CE75D	

No.	Notes	MODEL TECHNICAL VARIATION COOLING CAPACITY	RLNL- H 090-151
ACCESSORIES			
		Louver Panel Kit (090-120)	AXRX-AAD01C
		Louver Panel Kit (151)	AXRX-AAD02A
		Carbon Dioxide Sensor	RXXR-AR02
		Dual Enthalpy Kit	RXXR-AV03
		Manual Fresh Air Damper (Left Panel Mounted)	AXRF-KDA1
		Motor Kit for *XRF-KDA1	RXXR-AW02
		Modulating Motor Kit w/position feedback (for *XRF-KDA1)	RXXR-AW04
		Manual Fresh Air Damper (Return Panel)	AXRF-JDA1
		Motorized Fresh Air Damper (Return Panel)	AXRF-JDB1
		Comfort Alert (One per Compressor)	RXXR-AZ01
		BACnet Communication Card	RXXR-AY01
		LonWorks Communication Card	RXXR-AY02
		Unwired Convenience Outlet - Option	RXXR-AN01
		Low Ambient Control Kit (One per Compressor)	RXRZ-C02

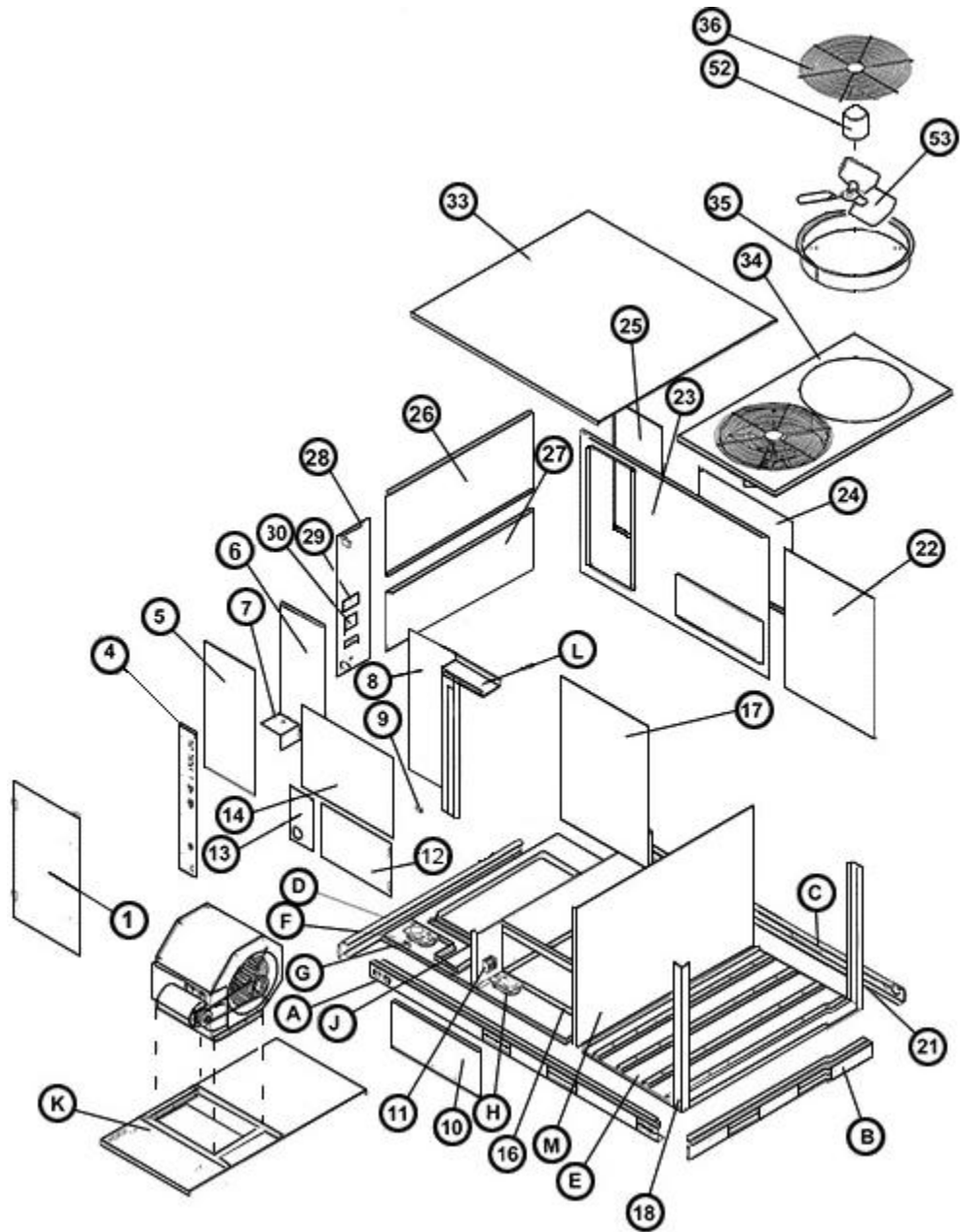
No.	Notes	MODEL TECHNICAL VARIATION COOLING CAPACITY	RLNL- H 090-151
ECONOMIZERS			
		Economizer - Single Enthalpy (Downflow)	AXRD-PJCM3
		Economizer - Single Enthalpy w/Smoke Detector (Downflow)	AXRD-SJCM3
		Economizer - Horizontal w/Single Enthalpy	AXRD-RJCM3

No.	Notes	MODEL TECHNICAL VARIATION COOLING CAPACITY	RLNL- H 090-151
POWER EXHAUST			
		Power Exhaust	RXXR-BFF02C
		Power Exhaust	RXXR-BFF02D
		Power Exhaust	RXXR-BFF02Y

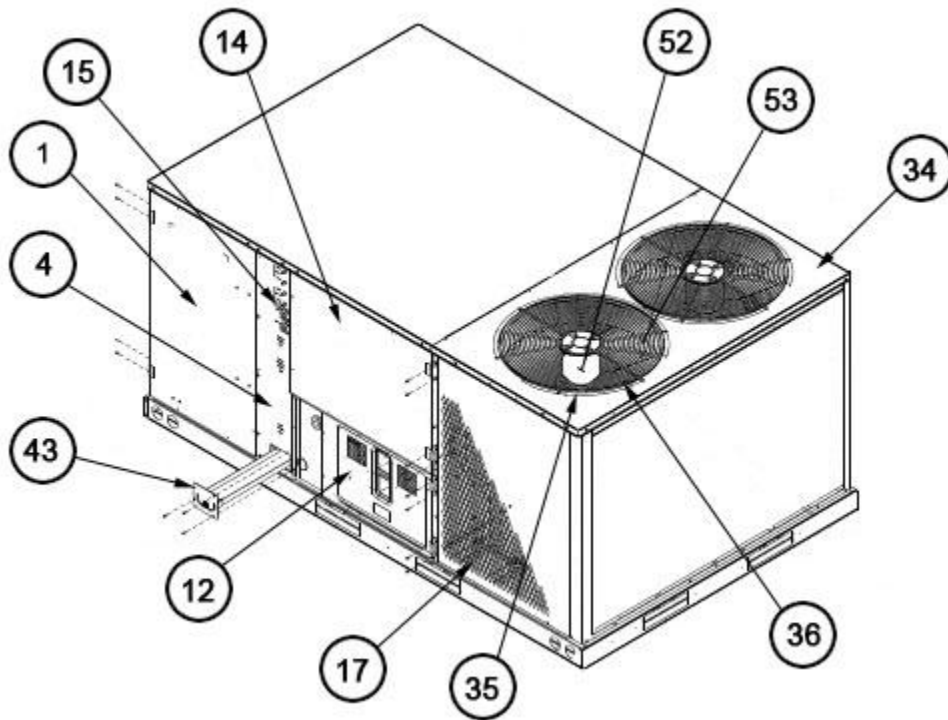
No.	Notes	MODEL TECHNICAL VARIATION COOLING CAPACITY	RLNL- H 180-300
ACCESSORIES			
		Carbon Dioxide Sensor	RXR-AR02
		Dual Enthalpy Kit	RXR-AV03
		Manual Fresh Air Damper	AXRF-KFA1
		Motorized Kit (for *XRF-KFA1)	RXR-AW03
		Modulating Motor Kit w/position feedback (for *XRF-KFA1)	RXR-AW05
		Comfort Alert (One per Compressor)	RXR-AZ01
		Unwired Convenience Outlet	RXR-AN01
		Low Ambient Control Kit (One per Compressor)	RXRZ-C02
		BACnet Communication Card	RXR-AY01
		LonWorks Communication Card	RXR-AY02
		Louver Panel Kit (Hail Guard) - Left and Right (Granite/Steel Gray)	AXR-AAD01L

No.	Notes	MODEL TECHNICAL VARIATION COOLING CAPACITY	RLNL- H 180-300
ECONOMIZERS			
		Economizer - Single Enthalpy (Downflow)	AXRD-PMCM3
		Economizer - Single Enthalpy w/Smoke Detector (Downflow)	AXRD-SMCM3
		Economizer - Horizontal w/Single Enthalpy	AXRD-RMCM3

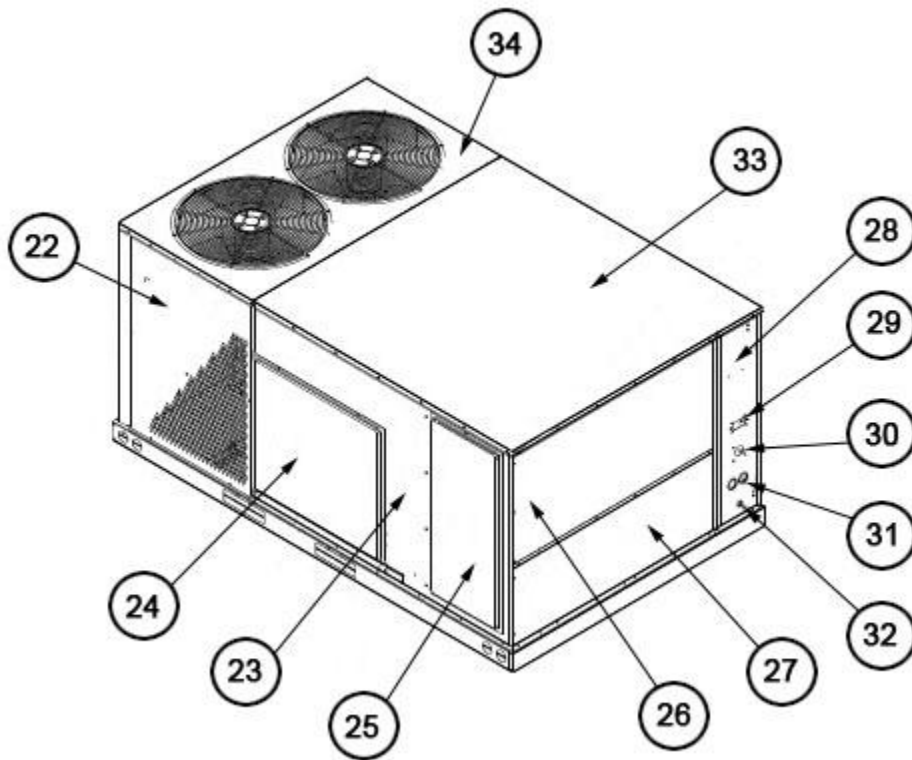
No.	Notes	MODEL TECHNICAL VARIATION COOLING CAPACITY	RLNL- H 180-300
POWER EXHAUST			
		Power Exhaust	RXR-BGF05C
		Power Exhaust	RXR-BGF05D
		Power Exhaust	RXR-BGF05Y



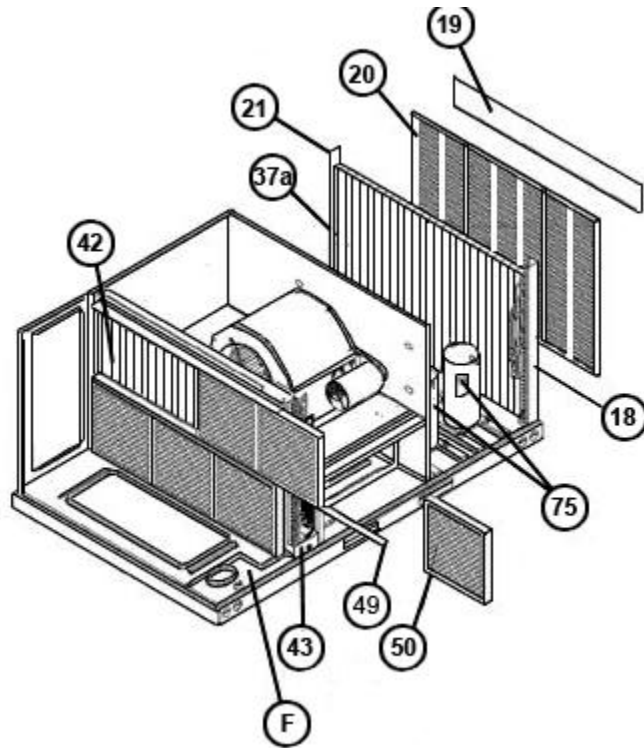
Exploded View 090-151



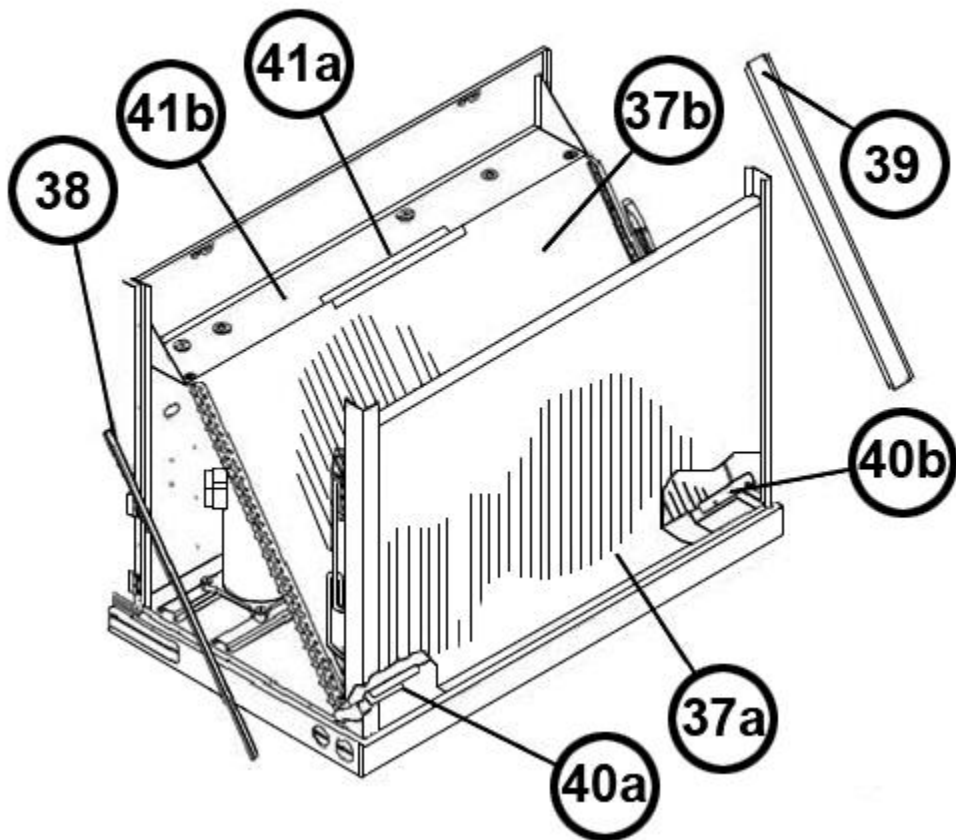
Exterior - Front 090-151



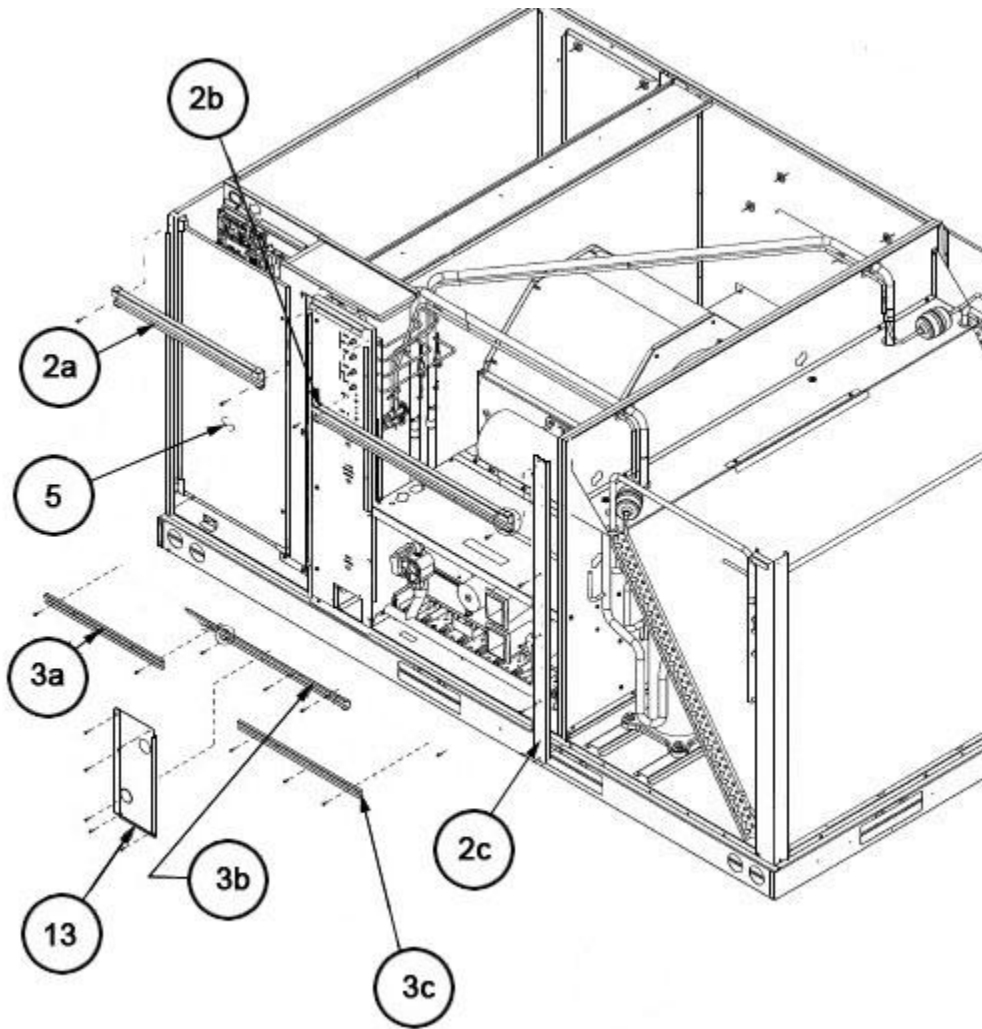
Exterior - Back 090-151



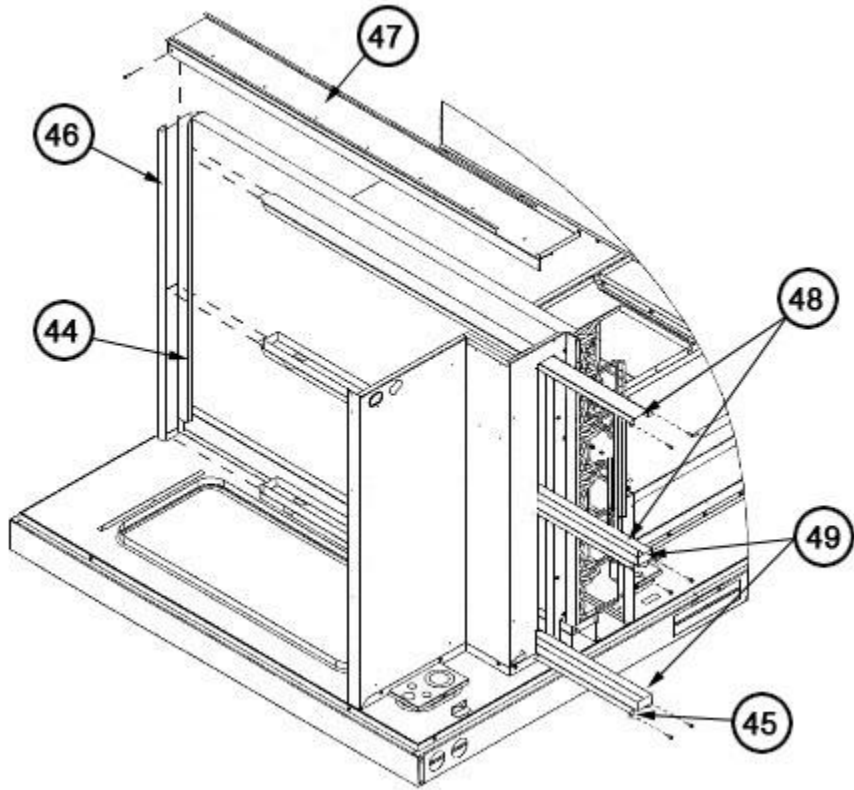
Filter-Coil Assembly 090-151



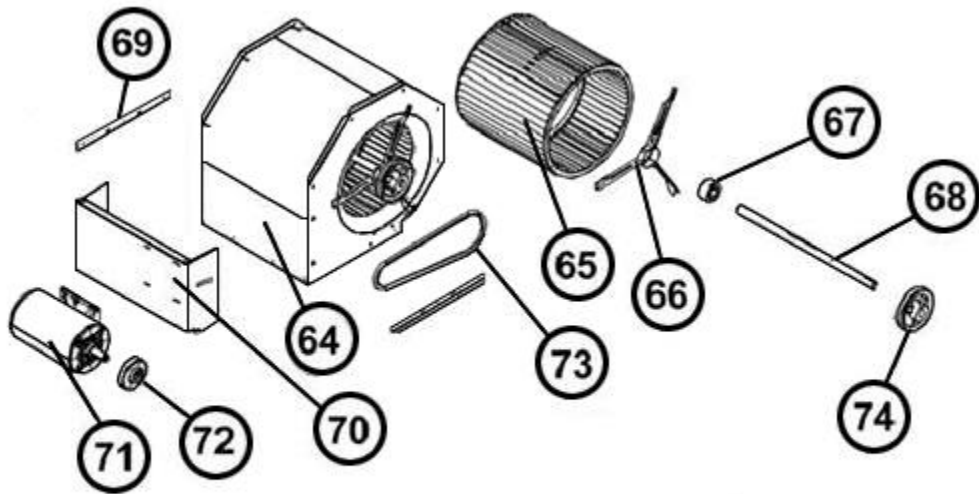
Condenser Coil Assembly 090-151



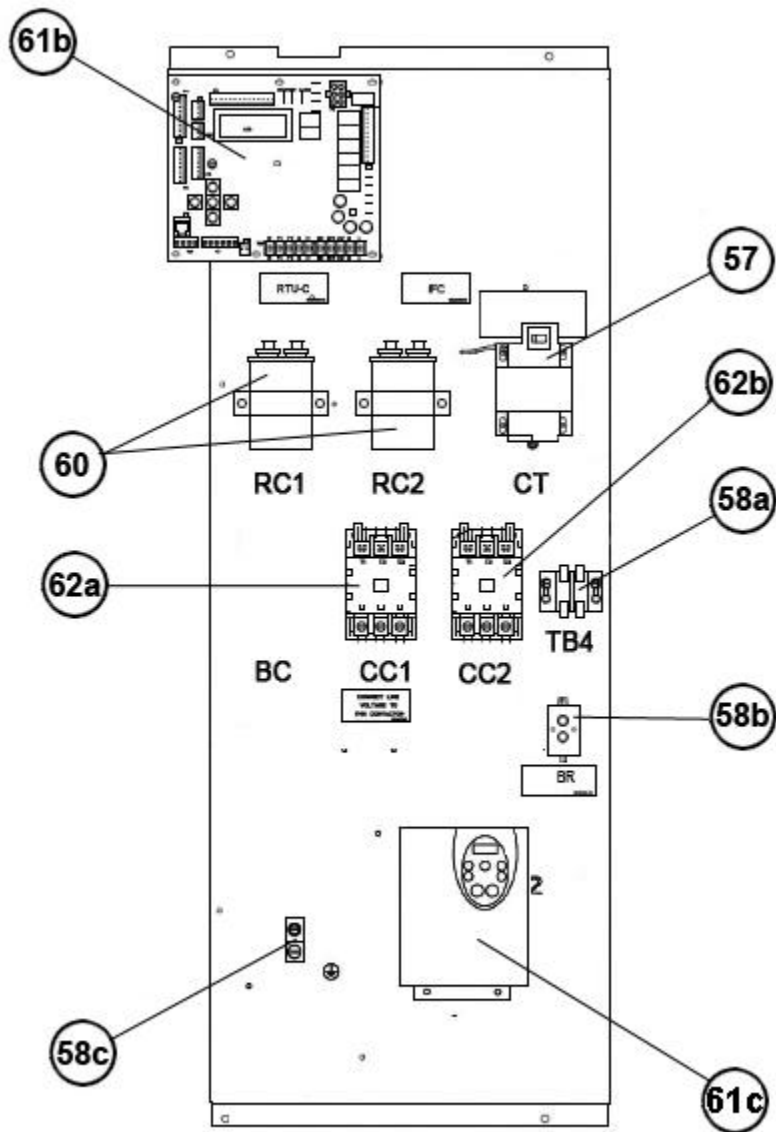
Front Panel Brackets 090-151



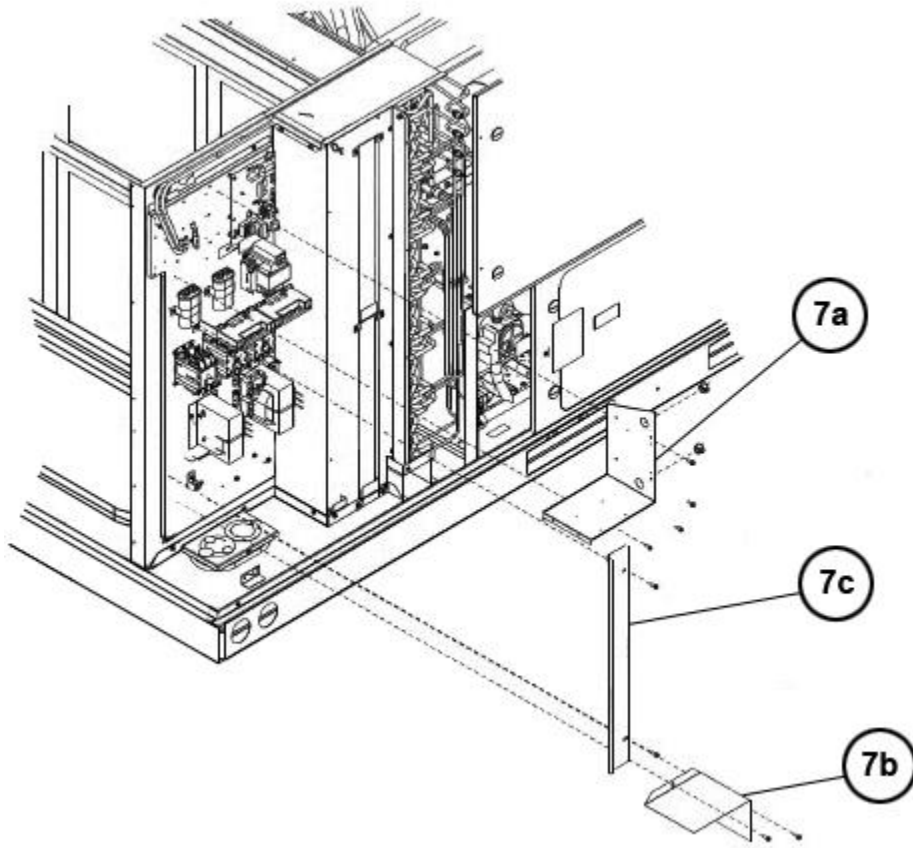
Filter Frame Assembly 090-151



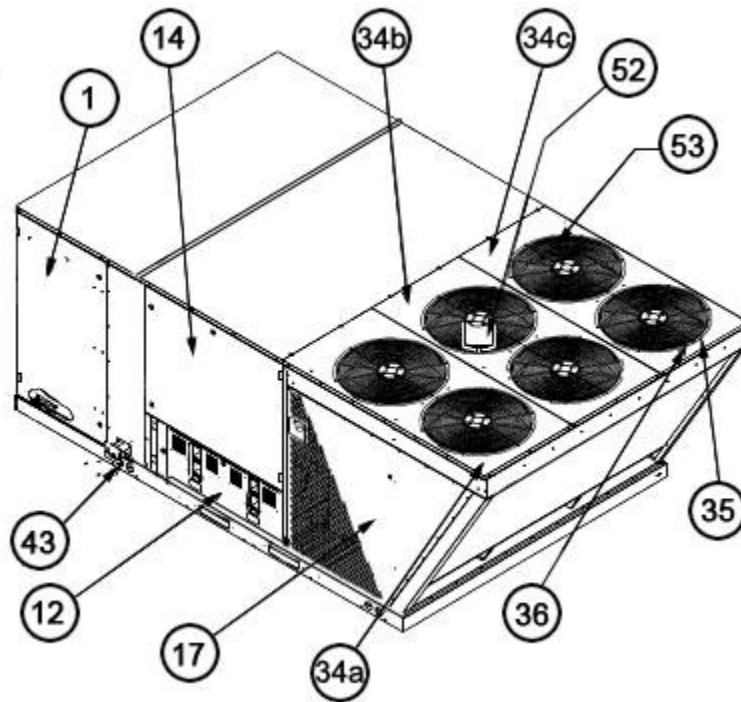
Blower Assembly 090-151



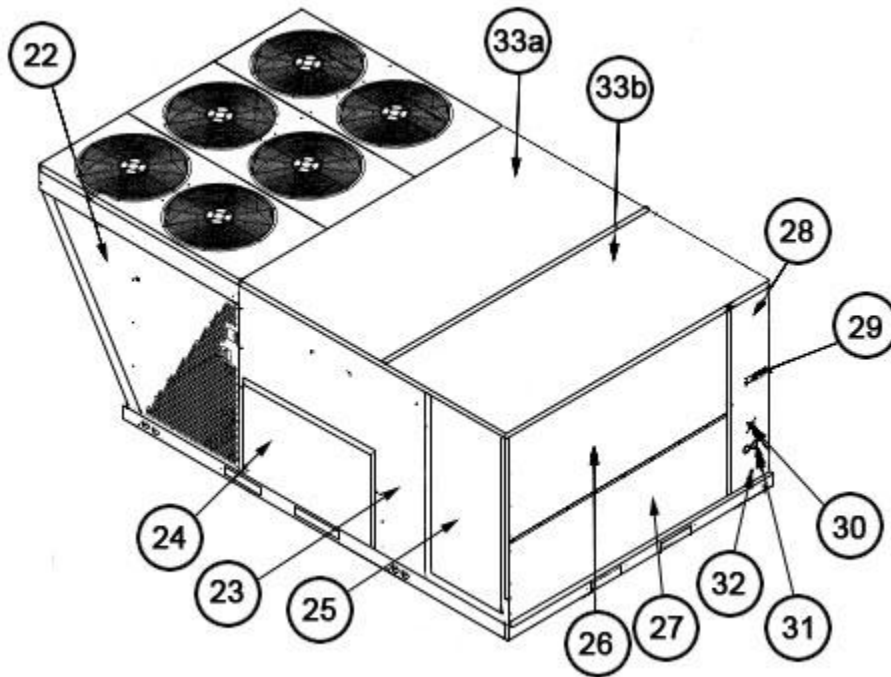
Control Box 090-151



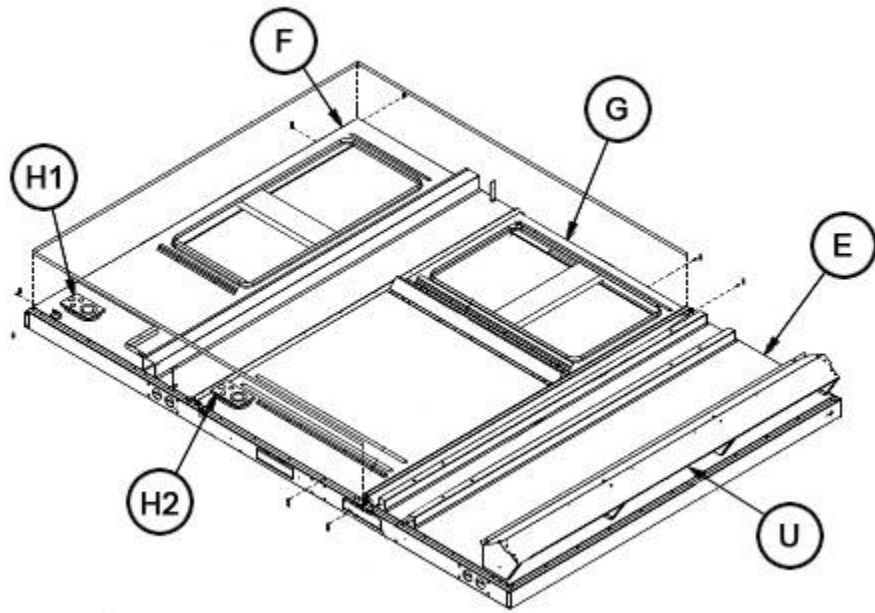
Low Voltage Shields 090-151



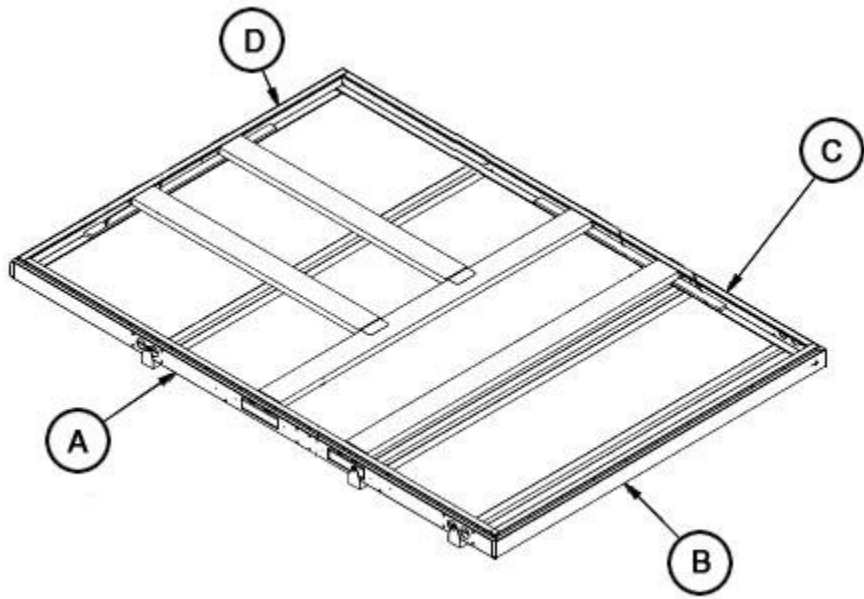
Exterior - Front 180-300



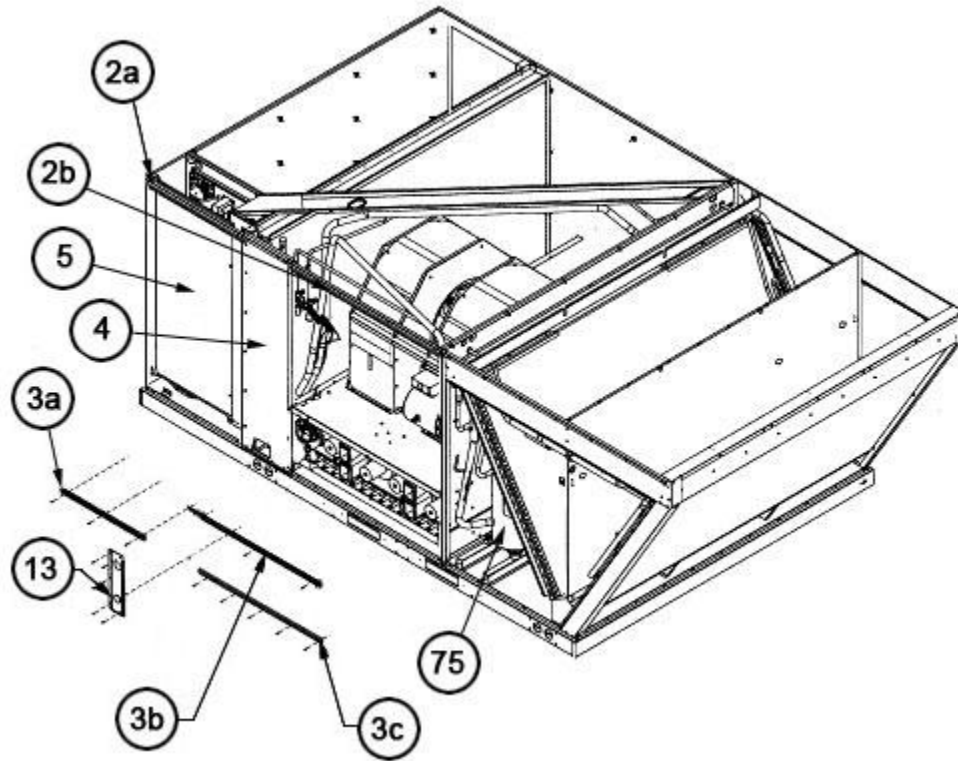
Exterior - Rear 180-300



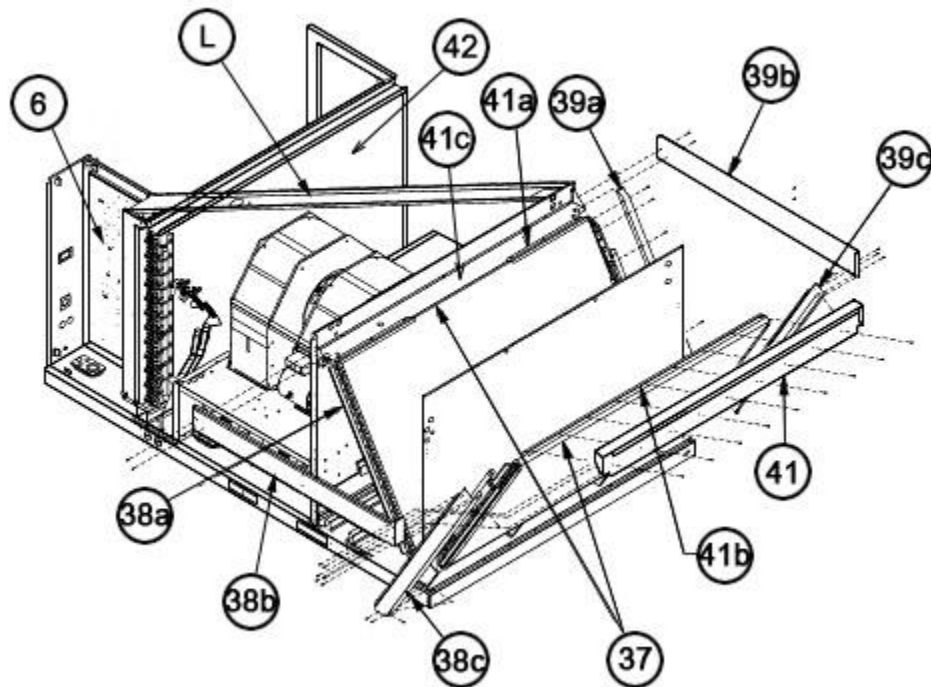
Base Pan Assembly 180-300



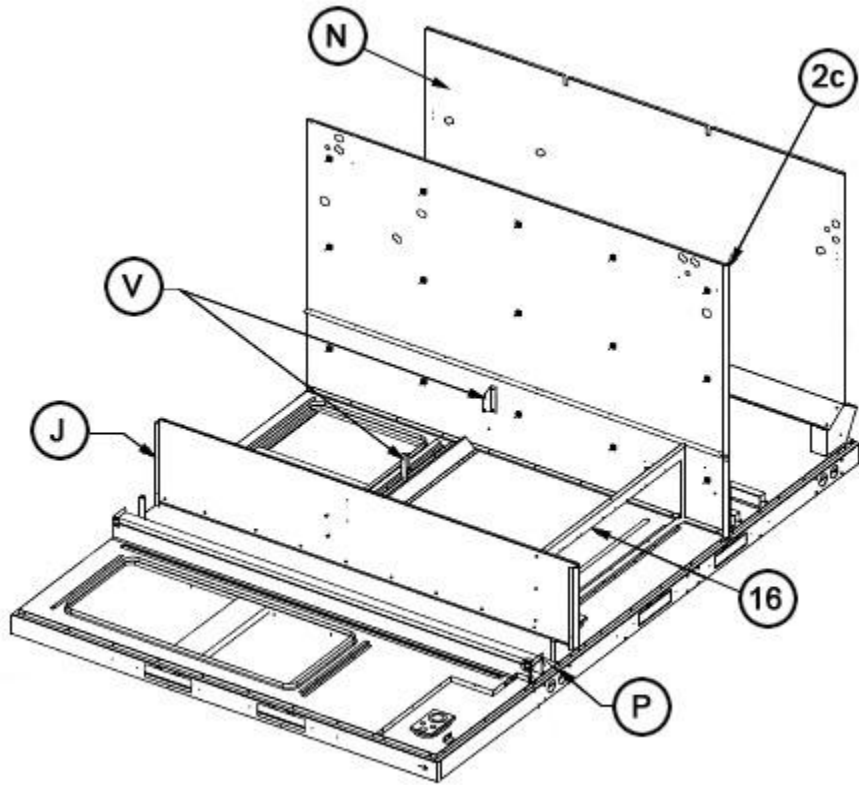
Base Rail Assembly 180-300



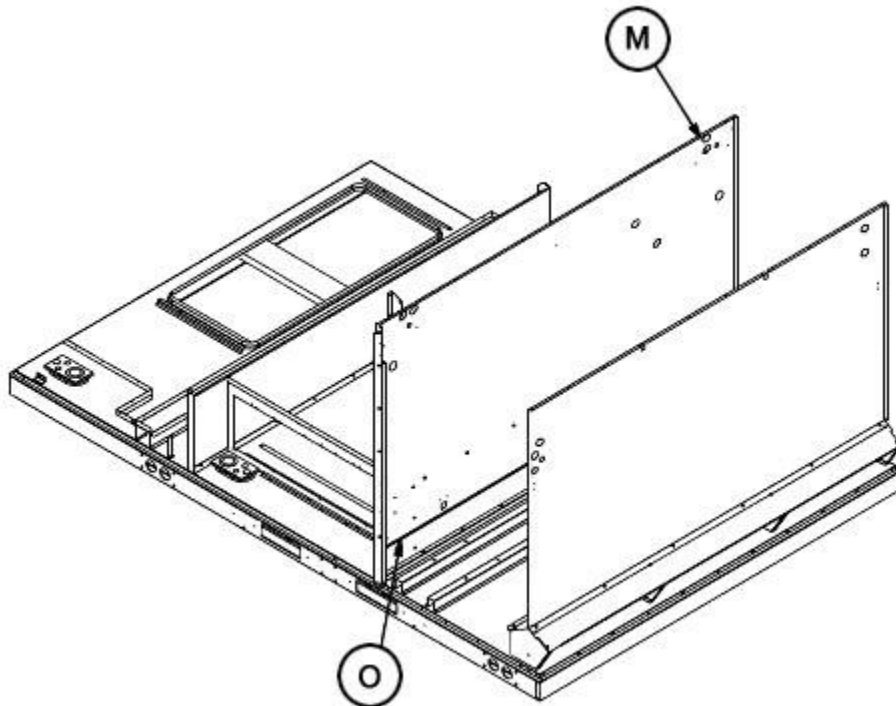
Front Panel Brackets 180-300



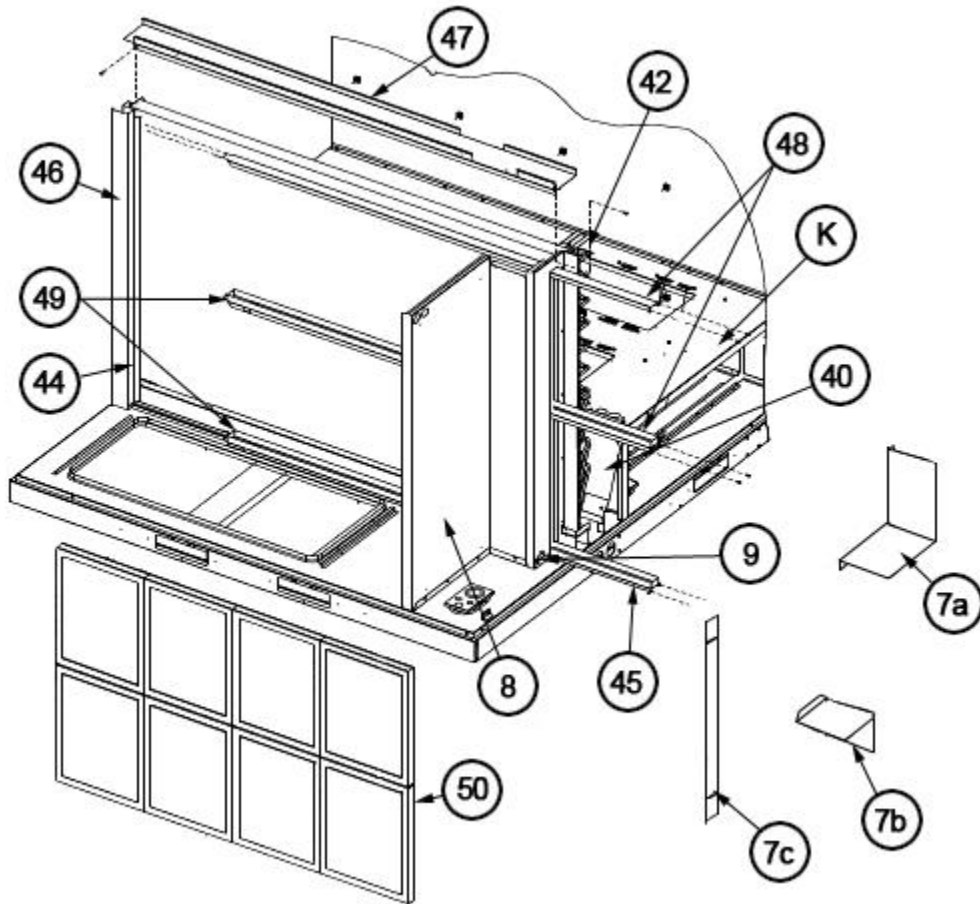
Interior - Coil 180-300



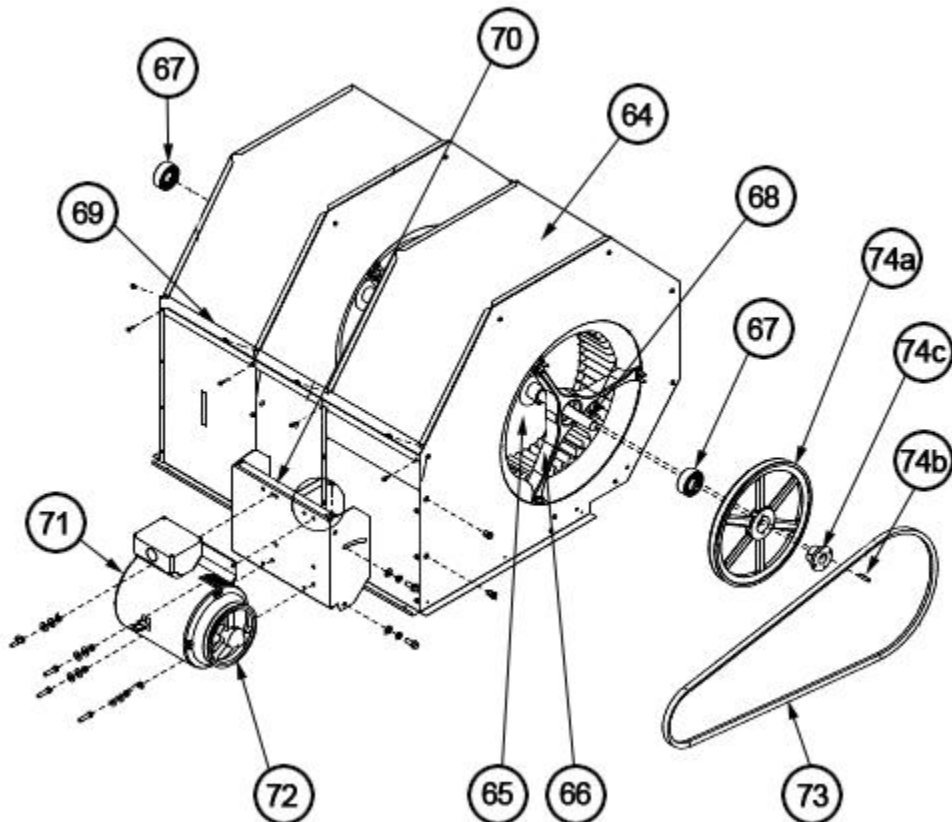
Heat Compartment 180-300



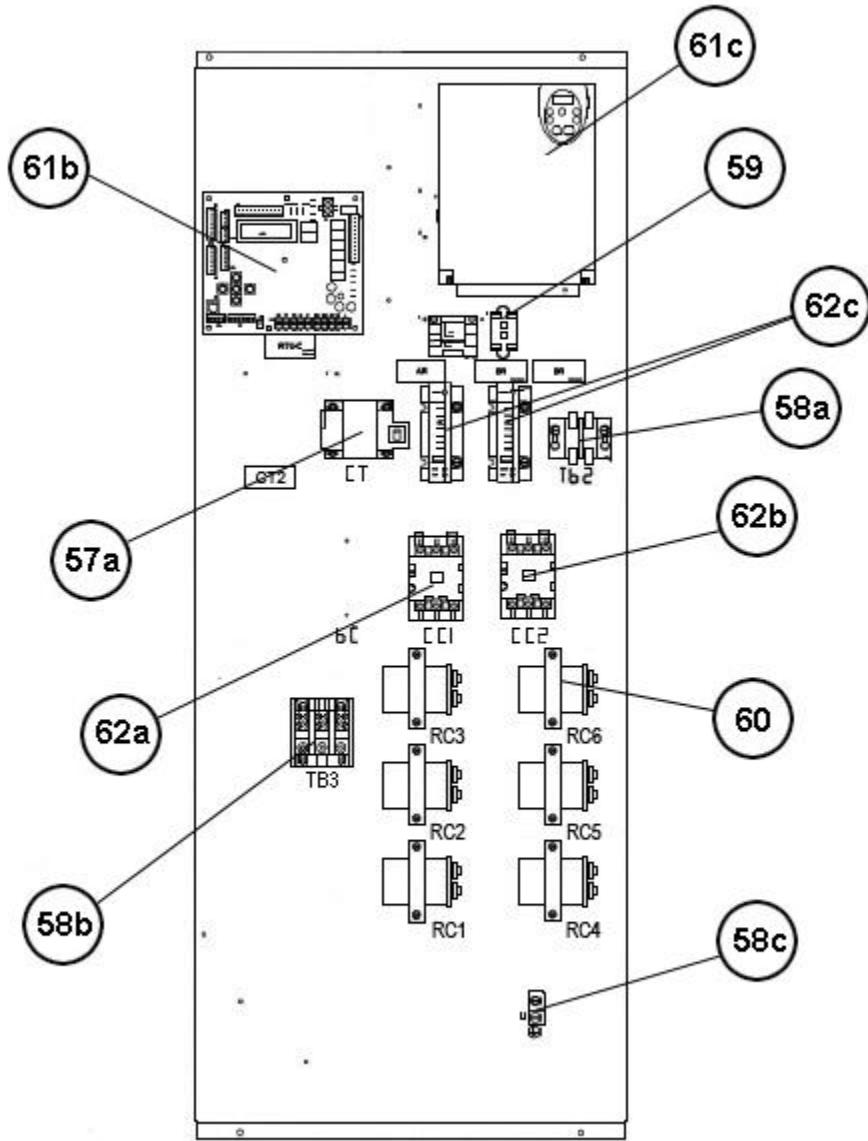
Condenser Bulkhead 180-300



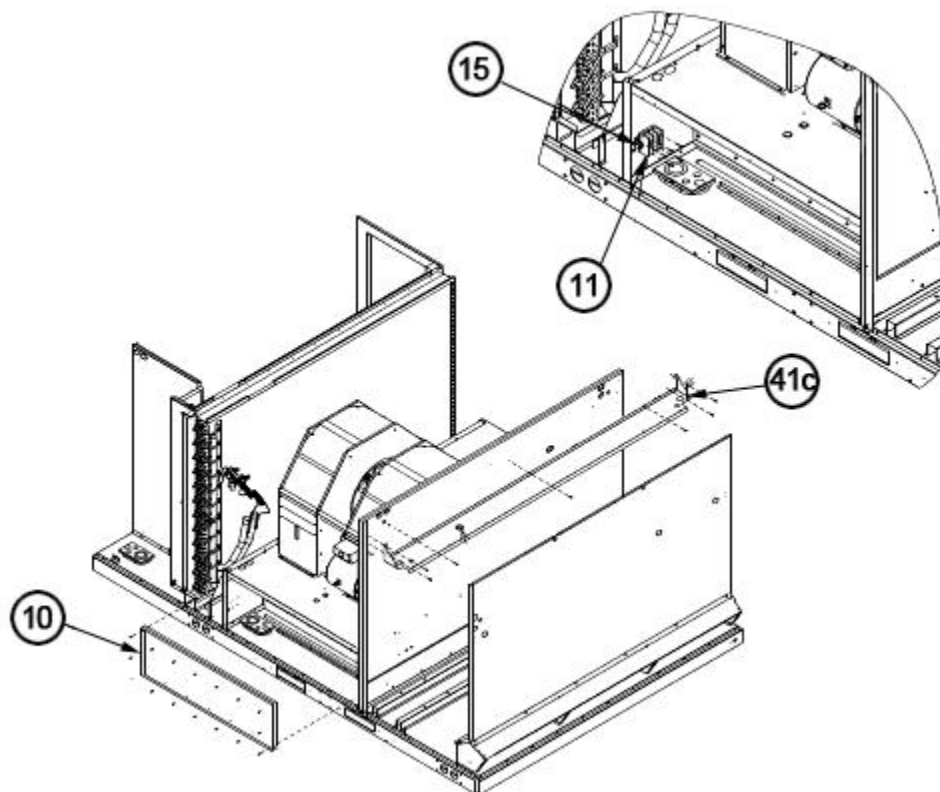
Filter Frame Assembly 180-300



Blower Assembly 180-300



Control Box 180-300



Electric Heat Block-Off 180-300

NOTES

- Stk It is recommended that stock be maintained for this part.
N/A Not Applicable
1 Temperature Sensors are integral with the Wiring Harness.

DISCLAIMER: This document is intended to provide general replacement parts information to aid qualified service personnel in the repair of these models. The complete Model and Serial Number of the unit under repair should be specified when selecting and ordering replacement parts. Specifications and illustrations are subject to change without notice. Document 92-42800-RLNL-H supersedes all previous parts lists for these models. See <http://www.rheempartslists.net/92-42800-RLNL-H> for the latest revision of this document. The manufacturer assumes no obligation for errors or omissions. Service personnel must verify the proper and safe operation of equipment after the replacement of any original components.