



RLNL-G

Parts List
06-March-2018



*This parts list is current as of the above revision date.
See <http://www.rheempartslists.net/92-42800-RLNL-G.pdf> for the current revision.*

Package Air Conditioners - Commercial

Table of Contents

Model Explanation.....	Page 3
Parts Numbers	
Panels - Miscellaneous 036-060	Page 4
Panels-036-060 (Hinged Doors).....	Page 5
Panels - Miscellaneous (Granite-Steel Gray) 090-151 (1)	Page 6
Panels - Miscellaneous (Granite-Steel Gray) 090-151 (2)	Page 7
Panels - Miscellaneous (Granite-Steel Gray) 180-300 (1)	Page 8
Panels - Miscellaneous (Granite-Steel Gray) 180-300 (2)	Page 9
Electrical Group 036-060	Page 10
Electrical Group 090-151 (1)	Page 11
Electrical Group 090-151 (2)	Page 12
Electrical Group 180-300 (1)	Page 13
Electrical Group 180-300 (2)	Page 14
Fan Group 036-060	Page 15
Fan Group 090-151	Page 16
Fan Group 180-300	Page 17
Blower Group 036-048	Page 18
Blower Group 060	Page 19
Blower Group 090-151	Page 20
Blower Group 180-300	Page 21
Coil Parts 036-060	Page 22
Coil Parts 090-151	Page 23
Coil Parts 180-300	Page 24
Compressor Group 036-060	Page 25
Compressor Group 090-151	Page 26
Compressor Group 180-300	Page 27
Heater Kits	Page 28
Accessories 036-151	Page 29
Accessories 180-300	Page 30
Drawings/Photographs	
Exploded View 036-060	Page 31
Top Panel View 036-060	Page 32
Top Panel View (Hinged-Panels)	Page 33
End Panel View (Hinged Panels)	Page 34
Control Box 036-060	Page 35
Blower Assembly 036-060	Page 36
Blower Motor Mount Assembly 036-060	Page 37
Coil Group Cut-away View 036-060	Page 38
Evaporator Coil - Filter Parts 036-060	Page 38
Evaporator Coil Parts 036-060	Page 39
Compressor - Refrigeration Group 036-060	Page 40
Reheat Circuit Assembly 036-060	Page 41
TXV Identification Guide	Page 42
Exploded View 090-151	Page 43
Exterior - Front 090-151	Page 44
Exterior - Back 090-151	Page 44
Filter-Coil Assembly 090-151	Page 45
Condenser Coil Assembly 090-151	Page 45
Front Panel Brackets 090-151	Page 46
Filter Frame Assembly 090-151	Page 47
Blower Assembly 090-151	Page 47
Control Box 090-151	Page 48
Low Voltage Shields 090-151	Page 49
Reheat Circuit Assembly 090-151	Page 50
Exterior - Front 180-300	Page 51
Exterior - Rear 180-300	Page 51
Exterior----Rear-180-30	Page 52
Base Pan Assembly 180-300	Page 53
Base Rail Assembly 180-300	Page 53
Front Panel Brackets 180-300	Page 54
Interior - Coil 180-300	Page 54
Heat Compartment 180-300	Page 55
Condenser Bulkhead 180-300	Page 55
Filter Frame Assembly 180-300	Page 56
Blower Assembly 180-300	Page 56
Control Box 180-300	Page 57
Electric Heat Block-Off 180-300	Page 58
Reheat Circuit Assembly 180-300	Page 59
Notes/Disclaimer	Page 60

MODEL NUMBER EXPLANATION

R	L	N	L	-	G	090	C	L	000	AA	A
1	2	3	4		5	6	7	8	9	10	11

- | | | |
|---|---|--|
| <p>1 TRADE NAME</p> <p>2 L = PACKAGE AIR CONDITIONER
Commercial</p> <p>3 EFFICIENCY DESIGNATION
N = High Efficiency</p> <p>4 DESIGN SERIES
L = R-410A</p> <p>5 TECHNICAL VARIATION
G = DDC with Reheat</p> <p>6 COOLING CAPACITY (BTUH)
036 = 36,000
048 = 48,000
060 = 60,000
090 = 90,000
120 = 120,000
151 = 150,000
180 = 180,000
240 = 240,000
300 = 300,000</p> <p>7 ELECTRICAL DESIGNATION
C = 208-230/3/60
D = 460/3/60
Y = 575/3/60</p> | <p>8</p> <p>9</p> <p>10</p> <p>11</p> | <p>DRIVE PACKAGE
L = Belt Drive (R = VFD - Belt Drive)
M = Belt Drive - High Static (S = VFD - Belt Drive - High Static)
T = VFD - Belt Drive - High Static (090)</p> <p>ELECTRIC HEAT- (Resistance Heat)
000 = No Resistance Heat
006 = 6 kW Resistance Heat
010 = 10 kW Resistance Heat
012 = 12 kW Resistance Heat
015 = 15 kW Resistance Heat
020 = 20 kW Resistance Heat
024 = 24 kW Resistance Heat
030 = 30 kW Resistance Heat
040 = 40 kW Resistance Heat
050 = 50 kW Resistance Heat
060 = 60 kW Resistance Heat
075 = 75 kW Resistance Heat</p> <p>OPTION CODES</p> <p>ECONOMIZER OPTIONS
A = No Economizer
H = Single Enthalpy Economizer with Barometric Relief
J = Single Enthalpy Economizer with Barometric Relief and Smoke Detector</p> |
|---|---|--|

SERIAL NUMBER EXPLANATION

1234	F	50	08	00001
1	2	3	4	5

- | | |
|---|---|
| <p>1</p> <p>2</p> <p>3</p> <p>4</p> <p>5</p> | <p>COMPRESSOR IDENTIFICATION NUMBER</p> <p>PRODUCTION LOCATION:</p> <p>WEEK OF PRODUCTION</p> <p>YEAR OF PRODUCTION</p> <p>PRODUCTION NUMBER</p> |
|---|---|

No.	Notes	MODEL TECHNICAL VARIATIONS COOLING CAPACITY	RLNL- G 036-060
PANELS, MISCELLANEOUS PARTS			
1		Base Rail - Side (2)	AE-58900-01
2		Base Rail - Condenser End	AE-58901-01
3		Base Rail - Evaporator End	AE-58902-01
4		Outdoor Coil Base Pan	AS-59051-01H
5		Indoor Coil Base Pan	AS-58910-05
6		Condenser Bulkhead	AS-103276-02
7		Blower Bulkhead Assembly (Does not include Blower Extensions, Cover Plate, Insulation Retainer)	AS-103385-01
8		Blower Extension - Front	AE-58928-01
9		Blower Extension - Back	AE-58928-02
		Cover Plate (On the Blower Extension - Front to cover the Limit Control opening)	AE-76216-01
		Insulation Retainer	AE-59059-01
10		Wire Chase Insulation Assembly	AS-103291-01
11a		Corner Post (2)	AS-58965-01H
11b		Center Post	AS-58966-01H
13		Louvered Panel	AS-59028-01H
14		Louvered Panel	AS-59028-03H
15		Louvered Panel	AS-59028-02H
16		Return/Supply Cover Assembly (2)	AS-58992-01H
17		Rear Panel (Includes Insulation, Filler Panel, and Stripping)	AS-58976-01H
18		Filler Panel - (Return Air Filler)	AE-58974-01
		Filler Panel Stripping	AE-58897-10
19		Blower/Filter Access Panels (2)	AS-58990-01H
20		Post - Left End	AS-58973-01H
21		Front Panel Assembly	AS-59132-01H
22		Electric Heat Access Panel Assembly	AS-58987-04H
23		Control Box Access Door	AS-103284-01H
24a		Control Box Insert Panel	AS-103283-01H
24b		Disconnect Plate	AS-90756-05H
24c		Receptacle Plate	AS-90756-02H
25		Front Post	AS-103288-01H
26		Indoor Coil Top Panel Assembly	AS-58979-01H
27a		Condenser Top Panel	AS-58981-01H
27b		Support - Condenser Top Panel	AE-58980-01
29		Wire Grille	95-101660-01
31		Control Box (w/o components)	AS-103281-01
		Control Box - Top	AE-103282-01

No.	Notes	MODEL TECHNICAL VARIATION COOLING CAPACITY	RLNL- G 060
PANELS, MISCELLANEOUS PARTS (Hinged Doors)			
1		Base Rail - Side (2)	AE-58900-01
2		Base Rail - Condenser End	AE-58901-01
3		Base Rail - Evaporator End	AE-58902-01
4		Outdoor Coil Base Pan	AS-59051-01HT
5		Indoor Coil Base Pan	AS-58910-05
6		Condenser Bulkhead Assembly	AS-103276-04HT
7		Blower Bulkhead Assembly (Does not include Blower Extensions, Cover Plate, Insulation Retainer)	AS-103385-01
8		Blower Extension - Front	AE-58928-01
9		Blower Extension - Back	AE-58928-02
		Cover Plate (On the Blower Extension - Front to cover the Limit Control opening)	AE-76216-01
		Insulation Retainer	AE-59059-01
10		Wire Chase Insulation Assembly	AS-103291-01
11a		Corner Post (2)	AE-58965-01HT
13		Louvered Panel	See Accessories
14		Louvered Panel	See Accessories
15		Louvered Panel	See Accessories
16		Supply/Return Cover Panels (2)	AS-58992-01HT
17		Rear Panel (Includes Insulation, Filler Panel, Screws and Stripping)	AS-58976-03HT
18		Filler Panel - Return Air	AE-58974-01HT
		Rear Panel Stripping - Cut Length	AE-58897-10
19a		Blower/Filter Door - Left	AS-102872-33HT
19b		Blower/Filter Door - Right	AS-102872-34HT
19c		Bracket - Bottom Panel (2)	AE-102859-26HT
20		Post - Left End	AS-58973-02HT
21		Front Panel Insulation Assembly	AS-59132-06HT
22		Electric Heat Access Panel	AS-59121-02HT
		Electric Heat Mounting Panel Assembly	AS-59122-01
23		Control Box Access Door (Includes Latch Assy and Gasket)	AS-102872-32HT
23a		Bracket - Top Panel	AE-102859-25HT
23b		Bracket - Middle Panel	AE-102859-28HT
24a		Control Box Insert Panel	AE-103283-01HT
24b		Disconnect Plate	AE-90756-05HT
24c		Receptacle Plate	AE-90756-02HT
25		Front Post	AE-58967-01HT
26		Indoor Coil Top Panel Assembly	AS-58979-04HT
26a		Bracket - Indoor Coil Top Panel	AE-102859-30HT
27a		Condenser Top Panel	AE-58981-01HT
27b		Support - Condenser Top Panel	AE-58980-01
29		Wire Grille	95-101660-01
31		Control Box (w/o components)	AS-103281-01
		Control Box - Top	AE-103282-01

No.	Notes	MODEL TECHNICAL VARIATION COOLING CAPACITY	RLNL- G 090	RLNL- G 120	RLNL- G 151
PANELS - RAILS, BASE PANS, INSIDE CABINET					
BASE RAILS:					
A		Base Rail - Front	AE-90575-15	AE-90575-15	AE-90575-15
B		Base Rail - Right	AE-90576-03	AE-90576-03	AE-90576-03
C		Base Rail - Rear	AE-90575-04	AE-90575-04	AE-90575-04
D		Base Rail - Left	AE-90576-04	AE-90576-04	AE-90576-04
BASE PANS:					
E		Outdoor Coil Base Pan	AS-90577-05H	AS-90577-05H	AS-90577-14H
F		Indoor Coil Base Pan	AS-90577-12	AS-90577-12	AS-90577-12
INSIDE CABINET:					
G		Entry Plate	AE-90614-01	AE-90614-01	AE-90614-01
H		Entry Plate	AE-90614-01	AE-90614-01	AE-90614-01
J		Heat Compartment Side	AE-90598-09	AE-90598-09	AE-90598-09
K		Blower Deck	AS-90592-13	AS-90592-13	AS-90592-13
L		Wireway	AE-90718-05	AE-90718-05	AE-90718-05
M		Condenser Bulkhead	AS-90609-41	AS-90609-41	AS-90609-41

No.	Notes	MODEL TECHNICAL VARIATION COOLING CAPACITY	RLNL- G 090	RLNL- G 120	RLNL- G 151
PANELS - FRONT					
1		Control Box Door Assembly - w/Hinges, Latch, Gasket, Insulation	AS-102872-14H	AS-102872-14H	AS-102872-14H
2a		Bracket - Top Panel (Left)	AS-102859-16H	AS-102859-16H	AS-102859-16H
2b		Bracket - Top Panel (Center)	AS-102859-15H	AS-102859-15H	AS-102859-15H
2c		Post - Blower Section	AS-102682-12H	AS-102682-12H	AS-102682-12H
3a		Bracket - Bottom Panel (Left)	AS-102859-17H	AS-102859-17H	AS-102859-17H
3b		Bracket - Blower/Heater Compartment	AS-102859-14H	AS-102859-14H	AS-102859-14H
3c		Bracket - Bottom Panel (Right)	AS-102859-13H	AS-102859-13H	AS-102859-13H
		Latch Assembly - Control Box Door (2)	64-102855-01	64-102855-01	64-102855-01
4		Post Assembly - Indoor Coil Section	AS-90620-17H	AS-90620-17H	AS-90620-24H
5		Control Box Cover	AE-90713-02	AE-90713-02	AE-90713-02
6		Control Mounting Plate	AE-90712-06	AE-90712-06	AE-90712-06
7a		Low Voltage Shield (Before F3512) - Upper Straight	AE-90742-08	AE-90742-08	N/A
7a		Low Voltage Shield (After F3512) - Upper Angled	AE-90742-12	AE-90742-12	AE-90742-12
7b		Low Voltage Shield (Before F3512) - Lower	AE-90742-03	AE-90742-03	N/A
7b		Low Voltage Shield (After F3512) - Lower	AE-90742-11	AE-90742-11	AE-90742-11
7c		Low Voltage Shield - Middle Strip	AE-90742-09	AE-90742-09	AE-90742-09
8		Control Box Back Insulation Assembly	AS-90601-06	AS-90601-06	AS-90601-06
9		Mounting Bracket	AE-90779-02	AE-90779-02	AE-90779-02
10		Electric Heat Blockoff Plate	AS-90720-02	AS-90720-02	AS-90720-02
11		Terminal Block	See Electrical Group		
12		Electric Heat Access Panel Assembly - w/Hinges, Latch, Gasket, Insulation	AS-102872-18H	AS-102872-18H	AS-102872-18H
		Latch Assembly - Electric Heat Door (2)	64-102855-01	64-102855-01	64-102855-01
13		Power Entry Plate Assembly	AS-90774-11H	AS-90774-11H	AS-90774-11H
14		Blower Access Panel Assembly - w/Hinges, Latch, Gasket, Insulation	AS-102872-16H	AS-102872-16H	AS-102872-16H
		Latch Assembly - Blower Access Panel (3)	64-102855-01	64-102855-01	64-102855-01
16		Heat Mounting Frame Assembly	AS-90754-02	AS-90754-02	AS-90754-02
17		Condenser Coil Access Panel - Front	AS-90631-09H	AS-90631-09H	AS-90631-11H
18		Front Corner Post	AS-90701-06H	AS-90701-06H	AS-90701-05H

No.	Notes	MODEL TECHNICAL VARIATION COOLING CAPACITY	RLNL- G 090	RLNL- G 120	RLNL- G 151
PANELS - RIGHT, REAR AND LEFT SIDES					
RIGHT:					
19		Air Stop	N/A	N/A	N/A
		Louver Panel Assembly	AS-90789-01H	AS-90789-01H	See Accessories
REAR:					
21		Rear Corner Post	AS-90702-03H	AS-90702-03H	AS-90702-04H
22		Condenser Coil Access Panel-Rear	AS-90631-05H	AS-90631-05H	AS-90631-12H
23		Rear Panel	AS-90618-02H	AS-90618-02H	AS-90618-02H
24		Supply Cover	AS-90626-02H	AS-90626-02H	AS-90626-02H
25		Return Cover	AS-90628-02H	AS-90628-02H	AS-90628-02H
LEFT:					
26		Upper Left Panel	AS-90624-03H	AS-90624-03H	AS-90624-03H
27		Lower Left Panel	AS-90624-04H	AS-90624-04H	AS-90624-04H
28		Left Corner Panel	AS-90755-07H	AS-90755-07H	AS-90755-07H
29		Plate - Receptacle	AS-90756-02H	AS-90756-02H	AS-90756-02H
30		Plate - Disconnect	AS-90756-03H	AS-90756-03H	AS-90756-03H
31		Button Plug (2)	45-22980-06	45-22980-06	45-22980-06
32		Button Plug	45-22980-05	45-22980-05	45-22980-05
TOP:					
33		Top Panel Assembly	AS-90775-38H	AS-90775-38H	AS-90775-38H
34		Condenser Top Panel	AS-90703-09H	AS-90703-09H	AS-90703-08H
35		Venturi (2)	AS-90632-03H	AS-90632-03H	AS-90632-03H
36		Wire Grille (2)	95-100906-09	95-100906-09	95-100906-09
43		Drain Pan - Removable	See Coil Group		

No.	Notes	MODEL TECHNICAL VARIATION COOLING CAPACITY	RLNL- G 180	RLNL- G 240	RLNL- G 300
PANELS - RAILS, BASE PANS, INSIDE CABINET					
BASE RAILS:					
A		Front	AS-90827-03	AS-90827-03	AS-90827-03
B		Right	AE-90576-06	AE-90576-06	AE-90576-06
C		Rear	AS-90827-04	AS-90827-04	AS-90827-04
D		Left	AE-90576-05	AE-90576-05	AE-90576-05
BASE PANS:					
E		Outdoor Base Pan	AS-90583-09H	AS-90583-09H	AS-90583-09H
F		Indoor Coil Base Pan - Return Air	AS-90577-09	AS-90577-09	AS-90577-09
G		Indoor Coil Base Pan - Supply Air	AS-90577-10	AS-90577-10	AS-90577-10
INSIDE CABINET PANEL/PIECES:					
H 1		Entry Plate	AE-90614-01	AE-90614-01	AE-90614-01
H 2		Entry Plate - Rooftop	AE-90614-02	AE-90614-02	AE-90614-02
I		Post - Blower Section	AS-102682-07H	AS-102682-07H	AS-102682-07H
J		Heat Compartment Side	AE-90598-08	AE-90598-08	AE-90598-08
K		Blower Deck Assembly	AS-90592-11	AS-90592-11	AS-90592-11
L		Wireway	AE-90718-04	AE-90718-04	AE-90718-04
M		Condenser Bulkhead	AS-90609-17	AS-90609-17	AS-90609-17
N		Divider Panel - Between Coils	AE-90735-05	AE-90735-05	AE-90735-05
O		Bulkhead Support	AE-102725-01	AE-102725-01	AE-102725-01
P		Primary Drain Pan	AS-103030-02	AS-103030-02	AS-103030-02
		Air Stop - Outdoor Coil- Front	AE-90706-13	AE-90706-13	AE-90706-13
		Air Stop - Outdoor Coil- Rear	AE-90706-12	AE-90706-12	AE-90706-12
U		Coil Support Top	AE-102700-03	AE-102700-03	AE-102700-03

No.	Notes	MODEL TECHNICAL VARIATION COOLING CAPACITY	RLNL- G 180	RLNL- G 240	RLNL- G 300
PANELS - FRONT AND RIGHT SIDES					
1		Control Box Door Assembly - w/Hinges, Latch, Gasket, Insulation	AS-102872-04H	AS-102872-04H	AS-102872-04H
2a		Bracket - Top Panel (Left)	AS-102859-01H	AS-102859-01H	AS-102859-01H
2b		Bracket - Top Panel (Center)	AS-102969-01H	AS-102969-01H	AS-102969-01H
2c		Post - Blower Section	AS-102682-07H	AS-102682-07H	AS-102682-07H
3a		Bracket - Bottom Panel (Left)	AS-102859-02H	AS-102859-02H	AS-102859-02H
3b		Bracket - Blower/Heater Compartment	AS-102859-11H	AS-102859-11H	AS-102859-11H
3c		Bracket - Bottom Panel (Right)	AS-102859-12H	AS-102859-12H	AS-102859-12H
4		Post Assembly - Indoor Coil Section	AS-90620-15H	AS-90620-15H	AS-90620-15H
5		Control Box Cover	AE-90713-05	AE-90713-05	AE-90713-05
6		Control Mounting Panel	AE-90712-05	AE-90712-05	AE-90712-05
7a		Low Voltage Shield - Control Box (Upper Right)	AE-90742-07	AE-90742-07	AE-90742-07
7b		Low Voltage Shield - Control Box (Lower Left)	AE-90742-06	AE-90742-06	AE-90742-06
7c		Thermostat Chase Cover	AE-102722-01	AE-102722-01	AE-102722-01
8		Control Box Back	AS-90601-05	AS-90601-05	AS-90601-05
9		Mounting Bracket	AE-90779-02	AE-90779-02	AE-90779-02
10		Electric Heat Blockoff Plate Assembly (models with no heat)	AS-90720-03	AS-90720-03	AS-90720-03
11		Terminal Block - Heat Compartment	See Electrical Group		
12		Electric Heat Access Panel Assembly - w/Hinges, Latch, Gasket, Insulation	AS-102872-06H	AS-102872-06H	AS-102872-06H
13		Power Entry Plate Assembly	AS-90774-13H	AS-90774-13H	AS-90774-13H
14		Blower Access Panel Assembly - w/Hinges, Latch, Gasket, Insulation	AS-102872-02H	AS-102872-02H	AS-102872-02H
15		Ground Lug - Heat Compartment	See Electrical Group		
16		Mounting Frame - Heat Exchanger Frame	AS-90754-04	AS-90754-04	AS-90754-04
17		Condenser Coil Access Panel-Front	AS-90734-08H	AS-90734-08H	AS-90734-08H
38c		Post - Outdoor Coil (Front)	See Coil Group		
39c		Post - Outdoor Coil (Rear)	See Coil Group		
		Louver Panel (Hail Guard) - Left	AS-90789-10H	AS-90789-10H	AS-90789-10H
		Louver Panel (Hail Guard) - Right	AS-90789-09H	AS-90789-09H	AS-90789-09H

No.	Notes	MODEL TECHNICAL VARIATION COOLING CAPACITY	RLNL- G 180	RLNL- G 240	RLNL- G 300
PANELS - REAR, LEFT, AND TOP					
REAR:					
22		Condenser Coil Access Panel-Rear	AS-90734-09H	AS-90734-09H	AS-90734-09H
23		Rear Panel - Right	AS-90618-08H	AS-90618-08H	AS-90618-08H
24		Supply Cover	AS-90628-03H	AS-90628-03H	AS-90628-03H
25		Return Cover	AS-90628-04H	AS-90628-04H	AS-90628-04H
LEFT:					
26		Upper Left Panel	AS-90624-09H	AS-90624-09H	AS-90624-09H
27		Lower Left Panel	AS-90624-08H	AS-90624-08H	AS-90624-08H
28		Left Corner Panel Assembly	AS-90755-05H	AS-90755-05H	AS-90755-05H
		Bracket - Left Corner Panel Assembly (2)	AE-90779-01	AE-90779-01	AE-90779-01
		Gasket for receptacle plate	68-42514-08	68-42514-08	68-42514-08
		Gasket for disconnect plate	68-42514-09	68-42514-09	68-42514-09
29		Plate - Install inside Panel-Receptacle	AS-90756-02H	AS-90756-02H	AS-90756-02H
30		Plate - Install inside Panel-Disconnect	AS-90756-03H	AS-90756-03H	AS-90756-03H
31		Button Plug (3)	45-42558-01	45-42558-01	45-42558-01
32		Star Bushing (3)	45-18515-01	45-18515-01	45-18515-01
TOP:					
33a		Top Panel Assembly - Right	AS-90616-04H	AS-90616-04H	AS-90616-04H
33b		Top Panel Assembly - Left	AS-90616-05H	AS-90616-05H	AS-90616-05H
34a		Top Panel - Front	AS-90633-10H	AS-90633-10H	AS-90633-10H
34b		Top Panel - Middle	AS-90633-12H	AS-90633-11H	AS-90633-11H
34c		Top Panel - Rear	AS-90633-09H	AS-90633-09H	AS-90633-09H
35		Venturi	AS-90632-03H (4)	AS-90632-03H (6)	AS-90632-03H (6)
36		Wire Grille	95-100906-09 (4)	95-100906-09 (6)	95-100906-09 (6)
43		Drain Pan - Removable	See Coil Group		

No.	Notes	MODEL TECHNICAL VARIATION COOLING CAPACITY ELECTRICAL DESIGNATION	RLNL- G 036-060 C	RLNL- G 036-060 D
ELECTRIC GROUP				
		Outlet Box	45-41952-02	45-41952-02
		Receptacle Cover	45-41953-02	45-41953-02
		Receptacle - Ground Fault	45-41954-01	45-41954-01
		Pressure Switch Assembly - (Clogged Filter and Fan Proving)	42-103320-26	42-103320-26
		Temperature Sensor/Clip Assembly (Liquid Line, LLS1)	47-102710-08	47-102710-08
CONTROL BOX COMPONENTS:				
35		Capacitor (Fan Only)	See Fan Group	
		Strap - Capacitor	AE-50892-01	AE-50892-01
		Fan Controller	47-104039-01	47-104039-01
36	Stk	Comfort Alert	42-101504-03	42-101504-03
37	Stk	Blower Contactor - Belt Drive	42-102664-08	42-102664-08
38	Stk	Low Voltage Shield	AE-103285-01	AE-103285-01
39	Stk	Compressor Contactor	42-102664-08	42-102664-08
40	Stk	Transformer	46-42515-04	46-42515-05
41		Unit Controller (RTU-C)	47-102883-02	47-102883-02
		Low Ambient Control	See Accessories	
91	Stk	Low Pressure Control	47-102240-03	47-102240-03
92	Stk	High Pressure Control	47-23699-04	47-23699-04
WIRING HARNESES:				
		Wiring Harness - Twist Loc 6 Pin to (6 Pin 3 Strip Leads)	45-102819-03	45-102819-03
		Wiring Harness - Reheat (12 pin to 6 terminals, Temperature Sensor LLS2, 2 stripped wires)	45-42522-115	45-42522-115
		Jumper - 7 Pin Connector (Unit Configuration)	45-42522-103	45-42522-103
		Wiring Harness - Economizer (8 Pin and 9 Pin) to (12 Pin, 4 Pin, 4 Connectors, and 2 Sensors -DAT and RAT) - See Note 1	45-42522-107	45-42522-107
		Wiring Harness - Compressor Control 14 Pin to (two 2 Pin Connectors and 2 Sensors)	45-42522-111	45-42522-111

No.	Notes	MODEL TECHNICAL VARIATION COOLING CAPACITY ELECTRICAL DESIGNATION	RLNL- G 090 C	RLNL- G 120 C	RLNL- G 151 C
ELECTRICAL GROUP					
CONTROL BOX COMPONENTS: (57 - 62)					
57	Stk	Transformer - Control	46-42515-04	46-42515-04	46-42515-04
58a		Double Row Terminal Block	45-42548-02	45-42548-02	45-42548-02
58b		Blower Relay	42-21571-08	42-21571-08	42-21571-08
58c		Ground Lug	45-19000-02	45-19000-02	45-19000-02
58d		Accessory Relay	42-19736-05	42-19736-05	42-19736-05
60		Capacitor - Fan Motor	See Fan Group		
61a	Stk	Unit Controller (RTU-C)	47-102883-02	47-102883-02	47-102883-02
61b	Stk	Controller - Outdoor Fan Motor	47-104039-01	47-104039-01	47-104039-01
61c	Stk	Variable Frequency Drive (VFD) - Drive Package R	47-104280-01	47-104280-01	47-104282-01
61c	Stk	Variable Frequency Drive (VFD) - Drive Package S	47-104280-01	47-104281-01	47-104282-01
61c	Stk	Variable Frequency Drive (VFD) - Drive Package T	47-104281-01	N/A	N/A
62a	Stk	Contactora - Compressor	42-102664-08	42-102664-08	42-102664-08
62b	Stk	Contactora w/Auxiliary Switch - Compressor	42-102664-14	42-102664-14	42-102664-14
		Comfort Alert	42-101504-03	42-101504-03	42-101504-03
		Low Ambient Control Assembly	AS-103034-01	AS-103034-01	AS-103034-01
		Pressure Switch	See Heat Exchanger/Burner		
		Pressure Switch Assembly - (Clogged Filter and Fan Proving)	42-103320-27	42-103320-27	42-103320-27
		Outlet Box	45-41952-02	45-41952-02	45-41952-02
		Cover - Receptacle	45-41953-02	45-41953-02	45-41953-02
		Receptacle/Ground Fault	45-41954-01	45-41954-01	45-41954-01
		High Pressure Control (2)	See Coil Group		
		Low Pressure Control (2)	See Coil Group		
WIRING HARNESES:					
		Wiring Harness - Fan Motor #1	See Fan Group		
		Wiring Harness - Fan Motor #2	See Fan Group		
		Wiring Harness - Twist-Loc (12 Pin and 4 Pin) to 9 Pin	45-42522-100	45-42522-100	45-42522-100
		Wiring Harness - 12 Pin from Rooftop Control Unit to (6 Connectors and 1 Temperature Sensor)	45-42522-120	45-42522-120	45-42522-120
		Wiring Harness - 4 Pin from Rooftop Control Unit to (3 strip leads for Variable Frequency Drive)	45-42522-121	45-42522-121	45-42522-121
		Wirng Harness - Main Power	45-42522-09	45-42522-09	45-42522-09
		Wiring Harness - 8 Pin to 4 Connectors and 2 Temperature Sensors (DAT and RAT) - See Note 1	45-42522-98	45-42522-98	45-42522-98
		Jumper - Unit Configuration (7 Pin Connector)	45-42522-104	45-42522-104	45-42522-104
		Wiring Harness - Compressor Control (14 Pin to Four 2 Pin Connectors and Three Temperature Sensors)	45-42522-99	45-42522-99	45-42522-99
		Plug Harness - Compressor	See Compressor Group		
		Wiring Harness - 6 Pin to Heater Kit	45-102706-09	45-102706-09	45-102706-09
		Bypass Plug - Economizer 12 Pin	AS-61997-55	AS-61997-55	AS-61997-55

No.	Notes	MODEL TECHNICAL VARIATION COOLING CAPACITY ELECTRICAL DESIGNATION	RLNL- G 090 D	RLNL- G 120 D	RLNL- G 151 D
ELECTRICAL GROUP					
CONTROL BOX COMPONENTS: (57 - 62)					
57	Stk	Transformer - Control	46-42515-05	46-42515-05	46-42515-05
58a		Double Row Terminal Block	45-42548-02	45-42548-02	45-42548-02
58b		Blower Relay	42-21571-08	42-21571-08	42-21571-08
58c		Ground Lug	45-19000-02	45-19000-02	45-19000-02
58d		Accessory Relay	42-19736-05	42-19736-05	42-19736-05
60		Capacitor - Fan Motor	See Fan Group		
61a	Stk	Unit Controller (RTU-C)	47-102883-02	47-102883-02	47-102883-02
61b	Stk	Controller - Outdoor Fan Motor	47-104039-01	47-104039-01	47-104039-01
61c	Stk	Variable Frequency Drive (VFD) - Drive Package R	47-104285-01	47-104285-01	47-104287-01
61c	Stk	Variable Frequency Drive (VFD) - Drive Package S	47-104285-01	47-104286-01	47-104287-01
61c	Stk	Variable Frequency Drive (VFD) - Drive Package T	47-104286-01	N/A	N/A
62a	Stk	Contactora - Compressor	42-102664-08	42-102664-08	42-102664-08
62b	Stk	Contactora w/Auxiliary Switch - Compressor	42-102664-14	42-102664-14	42-102664-14
		Comfort Alert	42-101504-03	42-101504-03	42-101504-03
		Low Ambient Control Assembly	AS-103034-01	AS-103034-01	AS-103034-01
		Pressure Switch	See Heat Exchanger/Burner		
		Pressure Switch Assembly - (Clogged Filter and Fan Proving)	42-103320-27	42-103320-27	42-103320-27
		Outlet Box	45-41952-02	45-41952-02	45-41952-02
		Cover - Receptacle	45-41953-02	45-41953-02	45-41953-02
		Receptacle/Ground Fault	45-41954-01	45-41954-01	45-41954-01
		High Pressure Control (2)	See Coil Group		
		Low Pressure Control (2)	See Coil Group		
WIRING HARNESES:					
		Wiring Harness - Fan Motor #1	See Fan Group		
		Wiring Harness - Fan Motor #2	See Fan Group		
		Wiring Harness - Twist-Loc (12 Pin and 4 Pin) to 9 Pin	45-42522-100	45-42522-100	45-42522-100
		Wiring Harness - 12 Pin from Rooftop Control Unit to (6 Connectors and 1 Temperature Sensor)	45-42522-120	45-42522-120	45-42522-120
		Wiring Harness - 4 Pin from Rooftop Control Unit to (3 strip leads for Variable Frequency Drive)	45-42522-121	45-42522-121	45-42522-121
		Wirng Harness - Main Power	45-42522-09	45-42522-09	45-42522-09
		Wiring Harness - 8 Pin to 4 Connectors and 2 Temperature Sensors (DAT and RAT) - See Note 1	45-42522-98	45-42522-98	45-42522-98
		Jumper - Unit Configuration (7 Pin Connector)	45-42522-104	45-42522-104	45-42522-104
		Wiring Harness - Compressor Control (14 Pin to Four 2 Pin Connectors and Three Temperature Sensors)	45-42522-99	45-42522-99	45-42522-99
		Plug Harness - Compressor	See Compressor Group		
		Wiring Harness - 6 Pin to Heater Kit	45-102706-09	45-102706-09	45-102706-09
		Bypass Plug - Economizer 12 Pin	AS-61997-55	AS-61997-55	AS-61997-55

No.	Notes	MODEL TECHNICAL VARIATION COOLING CAPACITY ELECTRICAL DESIGNATION	RLNL- G 180 C	RLNL- G 240 C	RLNL- G 300 C
ELECTRIC GROUP					
11		Terminal Block - Heater Compartment	45-21134-04	45-21134-04	45-21134-04
15		Ground Lug - Heater Compartment	45-19000-02	45-19000-02	45-19000-02
CONTROL BOX COMPONENTS:					
57a	Stk	Transformer - Control	46-42515-04	46-42515-04	46-42515-04
57b	Stk	Transformer - Discharge Solenoid Relay	46-103324-01	46-103324-01	46-103324-01
58a		Terminal Block - Double Row	45-42548-02	45-42548-02	45-42548-02
58b		Terminal Block - Power Block	45-41765-01	45-41765-01	45-41765-01
58c		Ground Lug	45-19000-02	45-19000-02	45-19000-02
58d		Accessory Relay	42-19736-05	42-19736-05	42-19736-05
58e		Discharge Solenoid Relay	42-21571-08	42-21571-08	42-21571-08
59	Stk	Blower Relay	42-21571-08	42-21571-08	42-21571-08
		Pressure Switch Assembly - (Clogged Filter and Fan Proving)	42-103320-27	42-103320-27	42-103320-27
		Disconnect Switch Assembly	42-42559-02	42-42559-02	42-42559-02
		Outlet Box	45-41952-02	45-41952-02	45-41952-02
		Cover - Receptacle	45-41953-02	45-41953-02	45-41953-02
		Receptacle/Ground Fault	45-41954-01	45-41954-01	45-41954-01
		Low Ambient Assembly	AS-103034-01	AS-103034-01	AS-103034-01
60		Run Capacitor		See Fan Group	
		High Pressure Control		See Coil Group	
		Low Pressure Control		See Coil Group	
61b	Stk	Unit Controller (RTU-C)	47-102883-02	47-102883-02	47-102883-02
61c	Stk	Controller - Outdoor Fan Motor	47-104039-01	47-104039-01	47-104039-01
61d	Stk	Variable Frequency Drive (VFD) - Drive Package R	47-104281-01	47-104282-01	47-104283-01
61d	Stk	Variable Frequency Drive (VFD) - Drive Package S	47-104282-01	47-104283-01	47-104284-01
61d	Stk	Variable Frequency Drive (VFD) - Drive Package T	N/A	N/A	N/A
62a	Stk	Compressor Contactor	42-102664-12	42-102664-12	42-102664-26
62b	Stk	Compressor Contactor	42-102664-12	42-102664-26	42-102664-26
62c		Comfort Alert (2)	42-101504-03	42-101504-03	42-101504-03
WIRING HARNESES:					
		Wiring Harness - Motor #1		See Fan Group	
		Wiring Harness - Motor #2		See Fan Group	
		Plug Harness - Compressor		See Compressor Group	
		Wiring Harness - Main Power	45-42522-92	45-42522-92	45-42522-92
		Jumper - 7 Pin Connector	45-42522-104	45-42522-104	45-42522-104
		Bypass Plug - Economizer 12 Pin	AS-61997-55	AS-61997-55	AS-61997-55
		Wiring Harness - 6 Pin to Heater Kit	45-42522-91	45-42522-91	45-42522-91
		Wiring Harness - Economizer (12 pin and 4 pin to 9 pin)	45-42522-93	45-42522-93	45-42522-93
		Wiring Harness - 8 Pin to 4 Connectors and 2 Temperature Sensors (DAT and RAT) - See Note 1	45-42522-98	45-42522-98	45-42522-98
		Wiring Harness - Compressor Control (14 Pin to Four 2 Pin Connectors and Three Temperature Sensors)	45-42522-118	45-42522-118	45-42522-118
		Wiring Harness - 12 Pin (LLS2)	45-42522-119	45-42522-119	45-42522-119
		Wiring Harness - 4 Pin to Variable Frequency Drive (VFD)	45-42522-120	45-42522-120	45-42522-120

No.	Notes	MODEL TECHNICAL VARIATION COOLING CAPACITY ELECTRICAL DESIGNATION	RLNL- G 180 D	RLNL- G 240 D	RLNL- G 300 D
ELECTRIC GROUP					
11		Terminal Block - Heater Compartment	45-21134-04	45-21134-04	45-21134-04
15		Ground Lug - Heater Compartment	45-19000-02	45-19000-02	45-19000-02
CONTROL BOX COMPONENTS:					
57a	Stk	Transformer - Control	46-42515-05	46-42515-05	46-42515-05
57b	Stk	Transformer - Discharge Solenoid Relay	46-103324-02	46-103324-02	46-103324-02
58a		Terminal Block - Double Row	45-42548-02	45-42548-02	45-42548-02
58b		Terminal Block - Power Block	45-41765-01	45-41765-01	45-41765-01
58c		Ground Lug	45-19000-02	45-19000-02	45-19000-02
58d		Accessory Relay	42-19736-05	42-19736-05	42-19736-05
58e		Discharge Solenoid Relay	42-21571-08	42-21571-08	42-21571-08
59	Stk	Blower Relay	42-21571-08	42-21571-08	42-21571-08
		Pressure Switch Assembly - (Clogged Filter and Fan Proving)	42-103320-27	42-103320-27	42-103320-27
		Disconnect Switch Assembly	42-42559-02	42-42559-02	42-42559-02
		Outlet Box	45-41952-02	45-41952-02	45-41952-02
		Cover - Receptacle	45-41953-02	45-41953-02	45-41953-02
		Receptacle/Ground Fault	45-41954-01	45-41954-01	45-41954-01
		Low Ambient Assembly	AS-103034-01	AS-103034-01	AS-103034-01
60		Run Capacitor		See Fan Group	
		High Pressure Control		See Coil Group	
		Low Pressure Control		See Coil Group	
61b	Stk	Unit Controller (RTU-C)	47-102883-02	47-102883-02	47-102883-02
61c	Stk	Controller - Outdoor Fan Motor	47-104039-01	47-104039-01	47-104039-01
61d	Stk	Variable Frequency Drive (VFD) - Drive Package R	47-104286-01	47-104287-01	47-104288-01
61d	Stk	Variable Frequency Drive (VFD) - Drive Package S	47-104287-01	47-104288-01	47-104289-01
61d	Stk	Variable Frequency Drive (VFD) - Drive Package T	N/A	N/A	N/A
62a	Stk	Compressor Contactor	42-102664-12	42-102664-12	42-102664-26
62b	Stk	Compressor Contactor	42-102664-12	42-102664-26	42-102664-26
62c		Comfort Alert (2)	42-101504-03	42-101504-03	42-101504-03
WIRING HARNESES:					
		Wiring Harness - Motor #1		See Fan Group	
		Wiring Harness - Motor #2		See Fan Group	
		Plug Harness - Compressor		See Compressor Group	
		Wiring Harness - Main Power	45-42522-92	45-42522-92	45-42522-92
		Jumper - 7 Pin Connector	45-42522-104	45-42522-104	45-42522-104
		Bypass Plug - Economizer 12 Pin	AS-61997-55	AS-61997-55	AS-61997-55
		Wiring Harness - 6 Pin to Heater Kit	45-42522-91	45-42522-91	45-42522-91
		Wiring Harness - Economizer (12 pin and 4 pin to 9 pin)	45-42522-93	45-42522-93	45-42522-93
		Wiring Harness - 8 Pin to 4 Connectors and 2 Temperature Sensors (DAT and RAT) - See Note 1	45-42522-98	45-42522-98	45-42522-98
		Wiring Harness - Compressor Control (14 Pin to Four 2 Pin Connectors and Three Temperature Sensors)	45-42522-118	45-42522-118	45-42522-118
		Wiring Harness - 12 Pin (LLS2)	45-42522-119	45-42522-119	45-42522-119
		Wiring Harness - 4 Pin to Variable Frequency Drive (VFD)	45-42522-120	45-42522-120	45-42522-120

No.	Notes	MODEL TECHNICAL VARIATION COOLING CAPACITY ELECTRICAL DESIGNATION	RLNL- G 036 C	RLNL- G 048 C	RLNL- G 060 C
FAN GROUP					
32	Stk	Fan Motor	51-100998-30	51-100998-30	51-100998-32
33	Stk	Capacitor - Fan Motor	43-100496-04	43-100496-04	43-100496-12
34	Stk	Fan Blade	70-23594-01	70-23594-01	70-42484-01

No.	Notes	MODEL TECHNICAL VARIATION COOLING CAPACITY ELECTRICAL DESIGNATION	RLNL- G 036 D	RLNL- G 048 D	RLNL- G 060 D
FAN GROUP					
32	Stk	Fan Motor	51-100998-31	51-100998-31	51-100998-33
33	Stk	Capacitor - Fan Motor	43-100496-04	43-100496-04	43-100496-12
34	Stk	Fan Blade	70-23594-01	70-23594-01	70-42484-01

No.	Notes	MODEL TECHNICAL VARIATION COOLING CAPACITY ELECTRICAL DESIGNATION	RLNL- G 090 C	RLNL- G 120 C	RLNL- G 151 C
FAN GROUP					
52	Stk	Fan Motor (2)	51-42534-24	51-42534-24	51-42534-29
		Wiring Harness - Motor #1 (7 wire)	45-102706-01	45-102706-01	45-102706-03
		Wiring Harness - Motor #2 (5 wire)	45-102706-02	45-102706-02	45-102706-04
53	Stk	Fan Blade (2)	70-42572-04	70-42572-04	70-21858-18
60	Stk	Capacitor - Fan Motor (2)	43-100496-12	43-100496-12	43-100496-17

No.	Notes	MODEL TECHNICAL VARIATION COOLING CAPACITY ELECTRICAL DESIGNATION	RLNL- G 090 D	RLNL- G 120 D	RLNL- G 151 D
FAN GROUP					
52	Stk	Fan Motor (2)	51-42534-25	51-42534-25	51-42534-28
		Wiring Harness - Motor #1 (7 wire)	45-102706-01	45-102706-01	45-102706-03
		Wiring Harness - Motor #2 (5 wire)	45-102706-02	45-102706-02	45-102706-04
53	Stk	Fan Blade (2)	70-42572-04	70-42572-04	70-21858-18
60	Stk	Capacitor - Fan Motor (2)	43-100496-12	43-100496-12	43-100496-12

No.	Notes	MODEL TECHNICAL VARIATION COOLING CAPACITY ELECTRICAL DESIGNATION	RLNL- G 180 C	RLNL- G 240 C	RLNL- G 300 C
FAN GROUP					
52	Stk	Fan Motor	51-42534-24 (4)	51-42534-24 (6)	51-42534-24 (6)
		Wiring Harness - Motor #1 & #4	45-42522-71	45-42522-71	45-42522-71
		Wiring Harness - Motor #2 & #5	N/A	45-42522-70	45-42522-70
		Wiring Harness - Motor #3 & #6	45-42522-69	45-42522-69	45-42522-69
53	Stk	Fan Blade	70-42572-04 (4)	70-42572-04 (6)	70-42572-04 (6)
60	Stk	Capacitor - Fan Motor	43-100496-12 (4)	43-100496-12 (6)	43-100496-12 (6)

No.	Notes	MODEL TECHNICAL VARIATION COOLING CAPACITY ELECTRICAL DESIGNATION	RLNL- G 180 D	RLNL- G 240 D	RLNL- G 300 D
FAN GROUP					
52	Stk	Fan Motor	51-42534-25 (4)	51-42534-25 (6)	51-42534-25 (6)
		Wiring Harness - Motor #1 & #4	45-42522-71	45-42522-71	45-42522-71
		Wiring Harness - Motor #2 & #5	N/A	45-42522-70	45-42522-70
		Wiring Harness - Motor #3 & #6	45-42522-69	45-42522-69	45-42522-69
53	Stk	Fan Blade	70-42572-04 (4)	70-42572-04 (6)	70-42572-04 (6)
60	Stk	Capacitor - Fan Motor	43-100496-12 (4)	43-100496-12 (6)	43-100496-12 (6)

No.	Notes	MODEL TECHNICAL VARIATION COOLING CAPACITY ELECTRICAL DESIGNATION DRIVE PACKAGE	RLNL-	RLNL-	RLNL-	RLNL-
			G 036 C L	G 036 D L	G 048 C L	G 048 D L
BLOWER ASSEMBLY - BELT DRIVE						
62	Stk	Blower Assembly (Includes items 63-66, 68-73 excluding item 72b)	AS-101336-01	AS-101336-05	AS-101336-01	AS-101336-05
63		Housing	AS-101341-01	AS-101341-01	AS-101341-01	AS-101341-01
64	Stk	Bearing Frame Tri-Arm (2)	70-41723-03	70-41723-03	70-41723-03	70-41723-03
65	Stk	Ball Bearing and Cushion (2)	70-41911-01	70-41911-01	70-41911-01	70-41911-01
66	Stk	Blower Shaft	70-21933-02	70-21933-02	70-21933-02	70-21933-02
67	Stk	Fixed Pitch Sheave	71-100772-04	71-100772-03	71-100772-04	71-100772-03
68		Blower Support - Left	AE-58950-02	AE-58950-02	AE-58950-02	AE-58950-02
69	Stk	Wheel	70-23589-01	70-23589-01	70-23589-01	70-23589-01
70		Cut-Off Tabulation	AE-64401-05	AE-64401-05	AE-64401-05	AE-64401-05
74	Stk	Blower Motor	51-42579-01	51-42579-01	51-42579-01	51-42579-01
75	Stk	Variable Pitch Sheave	71-40427-30	71-40427-29	71-40427-29	71-40427-29
76	Stk	Belt	71-40235-43	71-40235-43	71-40235-43	71-40235-43

No.	Notes	MODEL TECHNICAL VARIATION COOLING CAPACITY ELECTRICAL DESIGNATION DRIVE PACKAGE	RLNL-	RLNL-	RLNL-	RLNL-
			G 036 C M	G 036 D M	G 048 C M	G 048 D M
BLOWER ASSEMBLY - BELT DRIVE						
62	Stk	Blower Assembly (Includes items 63-66, 68-73 excluding item 72b)	AS-101336-05	AS-101336-05	AS-101336-05	AS-101336-05
63		Housing	AS-101341-01	AS-101341-01	AS-101341-01	AS-101341-01
64	Stk	Bearing Frame Tri-Arm (2)	70-41723-03	70-41723-03	70-41723-03	70-41723-03
65	Stk	Ball Bearing and Cushion (2)	70-41911-01	70-41911-01	70-41911-01	70-41911-01
66	Stk	Blower Shaft	70-21933-02	70-21933-02	70-21933-02	70-21933-02
67	Stk	Fixed Pitch Sheave	71-100772-03	71-100772-03	71-100772-03	71-100772-03
68		Blower Support - Left	AE-58950-02	AE-58950-02	AE-58950-02	AE-58950-02
69	Stk	Wheel	70-23589-01	70-23589-01	70-23589-01	70-23589-01
70		Cut-Off Tabulation	AE-64401-05	AE-64401-05	AE-64401-05	AE-64401-05
74	Stk	Blower Motor	51-21909-01	51-21909-01	51-21909-01	51-21909-01
75	Stk	Variable Pitch Sheave	71-40427-25	71-40427-25	71-40427-25	71-40427-25
76	Stk	Belt	71-40235-43	71-40235-43	71-40235-43	71-40235-43

No.	Notes	MODEL TECHNICAL VARIATION COOLING CAPACITY ELECTRICAL DESIGNATION DRIVE PACKAGE	RLNL-			
			G 036-048 C/D L/M			
BLOWER MOTOR MOUNTING - BELT DRIVE						
71		Blower Bracket	AE-101124-01			
72		Blower Bracket - Drive Side	AE-101124-04			
72a		Grommet (Flat)	56-18518-04			
72b		Cross Brace	AE-101467-01			
73		Motor Mount Assembly	AS-101340-01			

No.	Notes	MODEL TECHNICAL VARIATION COOLING CAPACITY ELECTRICAL DESIGNATION DRIVE PACKAGE	RLNL-	RLNL-
			G 060 C L	G 060 D L
BLOWER ASSEMBLY - BELT DRIVE				
62	Stk	Blower Assembly (Includes items 63-66, 68-73 excluding item 72b)	AS-101336-05	AS-101336-05
63		Housing	AS-101341-01	AS-101341-01
64	Stk	Bearing Frame Tri-Arm (2)	70-41723-03	70-41723-03
65	Stk	Ball Bearing and Cushion (2)	70-41911-01	70-41911-01
66	Stk	Blower Shaft	70-21933-02	70-21933-02
67	Stk	Fixed Pitch Sheave	71-100772-03	71-100772-03
68		Blower Support - Left	AE-58950-02	AE-58950-02
69	Stk	Wheel	70-23589-01	70-23589-01
70		Cut-Off Tabulation	AE-64401-05	AE-64401-05
74	Stk	Blower Motor	51-21909-01	51-21909-01
75	Stk	Variable Pitch Sheave	71-40427-29	71-40427-29
76	Stk	Belt	71-40235-42	71-40235-42

No.	Notes	MODEL TECHNICAL VARIATION COOLING CAPACITY ELECTRICAL DESIGNATION DRIVE PACKAGE	RLNL-	RLNL-
			G 060 C M	G 060 D M
BLOWER ASSEMBLY - BELT DRIVE				
62	Stk	Blower Assembly (Includes items 63-66, 68-73 excluding item 72b)	AS-101336-05	AS-101336-05
63		Housing	AS-101341-01	AS-101341-01
64	Stk	Bearing Frame Tri-Arm (2)	70-41723-03	70-41723-03
65	Stk	Ball Bearing and Cushion (2)	70-41911-01	70-41911-01
66	Stk	Blower Shaft	70-21933-02	70-21933-02
67	Stk	Fixed Pitch Sheave	71-100772-03	71-100772-03
68		Blower Support - Left	AE-58950-02	AE-58950-02
69	Stk	Wheel	70-23589-01	70-23589-01
70		Cut-Off Tabulation	AE-64401-05	AE-64401-05
74	Stk	Blower Motor	51-41936-01	51-41936-01
75	Stk	Variable Pitch Sheave	71-40427-25	71-40427-25
76	Stk	Belt	71-40235-43	71-40235-43

No.	Notes	MODEL TECHNICAL VARIATION COOLING CAPACITY ELECTRICAL DESIGNATION DRIVE PACKAGE	RLNL-	
			G 060 C/D L/M	
BLOWER MOTOR MOUNTING - BELT DRIVE				
71		Blower Bracket	AE-101124-01	
72		Blower Bracket - Drive Side	AE-101124-04	
72a		Grommet (Flat)	56-18518-04	
72b		Cross Brace	AE-101467-01	
73		Motor Mount Assembly	AS-101340-01	

No.	Notes	MODEL TECHNICAL VARIATION COOLING CAPACITY DRIVE PACKAGE	RLNL- G 090 R	RLNL- G 120 R	RLNL- G 151 R
BLOWER ASSEMBLY GROUP - BELT DRIVE					
64	Stk	Blower Assembly (Includes Items 65-68)	AS-90757-01	AS-90757-01	AS-90757-01
65	Stk	Blower Wheel	70-42540-02	70-42540-02	70-42540-02
66		Bearing Frame Tri-Arm (2)	70-42540-05	70-42540-05	70-42540-05
67		Bearing with Bearing Lock (2)	70-41854-02	70-41854-02	70-41854-02
68	Stk	Blower Shaft	70-42540-04	70-42540-04	70-42540-04
69		Blower Mounting Angles (2)	AE-90708-01	AE-90708-01	AE-90708-01
		Blower Angle Stop	AE-90709-02	AE-90709-02	AE-90709-02
70		Motor Mount	AS-90824-01	AS-90824-01	AS-90824-01
71	Stk	Blower Motor - C/D Voltages	51-102826-14	51-102826-14	51-102826-06
72	Stk	Variable Sheave	71-42538-02	71-42538-02	71-40427-31
73	Stk	Belt	71-40438-30	71-40438-27	71-40438-23
74	Stk	Fixed Sheave	71-100774-05	71-100774-02	71-100774-01
		Key	94-42551-09	94-42551-09	94-42551-09
	Stk	Bushing for Sheave w/Screws	71-100773-01	71-100773-01	71-100773-01

No.	Notes	MODEL TECHNICAL VARIATION COOLING CAPACITY DRIVE PACKAGE	RLNL- G 090 S	RLNL- G 120 S	RLNL- G 151 S
BLOWER ASSEMBLY GROUP - BELT DRIVE					
64	Stk	Blower Assembly (Includes Items 65-68)	AS-90757-01	AS-90757-01	AS-90757-01
65	Stk	Blower Wheel	70-42540-02	70-42540-02	70-42540-02
66		Bearing Frame Tri-Arm (2)	70-42540-05	70-42540-05	70-42540-05
67		Bearing with Bearing Lock (2)	70-41854-02	70-41854-02	70-41854-02
68	Stk	Blower Shaft	70-42540-04	70-42540-04	70-42540-04
69		Blower Mounting Angles (2)	AE-90708-01	AE-90708-01	AE-90708-01
		Blower Angle Stop	AE-90709-02	AE-90709-02	AE-90709-02
70		Motor Mount	AE-90710-04	AE-90710-04	AE-90710-04
71	Stk	Blower Motor - C/D Voltages	51-102826-14	51-102826-15	51-102826-06
72	Stk	Variable Sheave	71-42538-02	71-42538-02	71-40427-11
73	Stk	Belt	71-40438-27	71-40438-23	71-40438-31
74	Stk	Fixed Sheave	71-100774-02	71-100774-04	71-26254-06
		Key	94-42551-09	94-42551-09	94-42551-09
	Stk	Bushing for Sheave w/Screws	71-100773-01	71-100773-01	71-100773-01

No.	Notes	MODEL TECHNICAL VARIATION COOLING CAPACITY DRIVE PACKAGE	RLNL- G 090 T		
BLOWER ASSEMBLY GROUP - BELT DRIVE					
64	Stk	Blower Assembly (Includes Items 65-68)	AS-90757-01		
65	Stk	Blower Wheel	70-42540-02		
66		Bearing Frame Tri-Arm (2)	70-42540-05		
67		Bearing with Bearing Lock (2)	70-41854-02		
68	Stk	Blower Shaft	70-42540-04		
69		Blower Mounting Angles (2)	AE-90708-01		
		Blower Angle Stop	AE-90709-02		
70		Motor Mount	AE-90710-04		
71	Stk	Blower Motor - C/D Voltages	51-102826-15		
72	Stk	Variable Sheave	71-42538-02		
73	Stk	Belt	71-40438-23		
74	Stk	Fixed Sheave	71-100774-04		
		Key	94-42551-09		
	Stk	Bushing for Sheave w/Screws	71-100773-01		

No.	Notes	MODEL TECHNICAL VARIATION COOLING CAPACITY DRIVE PACKAGE	RLNL- G 180 R	RLNL- G 240 R	RLNL- G 300 R
BLOWER ASSEMBLY GROUP - BELT DRIVE					
64	Stk	Blower Assembly - Includes Items 65 and 66 (2)	AS-90757-06	AS-90757-06	AS-90757-06
65	Stk	Blower Wheel (2)	70-42564-02	70-42564-02	70-42564-02
66		Bearing Frame Tri-Arm (4)	70-42284-04	70-42284-04	70-42284-04
67		Bearing with Bearing Lock (4)	70-41854-02	70-41854-02	70-41854-02
68	Stk	Blower Shaft	70-42564-03	70-42564-03	70-42564-03
69		Blower Connector Angles (3)	AE-90798-01	AE-90798-01	AE-90798-01
70		Motor Mount	AE-90710-03	AE-90710-03	AE-90710-03
71	Stk	Blower Motor - C Voltage	51-102826-15	51-102826-06	51-102826-07
71	Stk	Blower Motor - D Voltage	51-102826-15	51-102826-06	51-102826-07
72	Stk	Variable Sheave	71-42538-02	71-40427-04	71-40427-59
73	Stk	Belt	71-40438-43	71-40438-51	71-40438-54
74a	Stk	Fixed Sheave	71-100774-08	71-100774-06	71-100774-06
74b		Key	94-42551-09	94-42551-09	94-42551-09
74c	Stk	Bushing for Sheave w/Screws	71-100773-01	71-100773-01	71-100773-01

No.	Notes	MODEL TECHNICAL VARIATION COOLING CAPACITY DRIVE PACKAGE	RLNL- G 180 S	RLNL- G 240 S	RLNL- G 300 S
BLOWER ASSEMBLY GROUP - BELT DRIVE					
64	Stk	Blower Assembly - Includes Items 65 and 66 (2)	AS-90757-06	AS-90757-06	AS-90757-06
65	Stk	Blower Wheel (2)	70-42564-02	70-42564-02	70-42564-02
66		Bearing Frame Tri-Arm (4)	70-42284-04	70-42284-04	70-42284-04
67		Bearing with Bearing Lock (4)	70-41854-02	70-41854-02	70-41854-02
68	Stk	Blower Shaft	70-42564-03	70-42564-03	70-42564-03
69		Blower Connector Angles (3)	AE-90798-01	AE-90798-01	AE-90798-01
70		Motor Mount	AE-90710-03	AE-90710-03	AE-90710-03
71	Stk	Blower Motor - C Voltage	51-102826-06	51-102826-07	51-102826-10
71	Stk	Blower Motor - D Voltage	51-102826-06	51-102826-07	51-102826-10
72	Stk	Variable Sheave	71-40427-04	71-40427-59	71-40427-60
73	Stk	Belt	71-40438-46	71-40438-54	71-102847-01
74a	Stk	Fixed Sheave	71-100774-08	71-100774-06	71-100774-07
74b		Key	94-42551-09	94-42551-09	94-42551-09
74c	Stk	Bushing for Sheave w/Screws	71-100773-01	71-100773-01	71-100773-01

No.	Notes	MODEL TECHNICAL VARIATION COOLING CAPACITY	RLNL- G 036	RLNL- G 048	RLNL- G 060
COIL GROUP					
EVAPORATOR COIL:					
80a	Stk	Evaporator Coil	AS-102260-03	AS-102352-03	AS-102353-03
80b	Stk	Reheat Coil	65-101478-12	65-101478-12	65-101478-12
80c		TXV Bulb Strap Kit	64-101357-01	64-101357-01	64-101357-01
80d		Liquid Line Filter Drier	83-22755-03	83-22755-03	83-22755-03
80e		Servo Valve - Liquid Line (LLSV) (2)	61-103961-05	61-103961-05	61-103961-05
80f		Solenoid Coil (LLSV) (2)	61-103961-09	61-103961-09	61-103961-09
80g		Distributor - (Two way - 3/8 in. to 3/8 in.)	83-17467-02	83-17467-02	83-17467-02
81		Top Air Stop	AE-58933-01	AE-58933-01	AE-58933-01
		Air Stop - Reheat Coil	AE-104056-01	AE-104056-01	AE-104056-01
82		Top Coil Support	AE-58941-01	AE-58941-01	AE-58941-01
83	Stk	Indoor Coil Drain Pan	68-23559-01	68-23559-01	68-23559-01
85		Filter Channels (Center is two channels back-to-back) (3)	AE-58934-01	AE-58934-01	AE-58934-01
		Filter Keeper	AE-59168-01	AE-59168-01	AE-59168-01
86		Filter - Disposable 16x25x1 (2)	54-17531-10	54-17531-10	54-17531-10
88		Header Assembly	82-101745-01	82-101745-02	82-101745-03
Important Note: Different manufacturers of TXV were used on this unit, and the exact part number must be used when making repair. To obtain the correct part number of TXV either: 1) Provide the part number of TXV assembly by examining unit, or 2) Provide unit model number and TXV manufacturer. (See attached TXV identification guide for assistance.)					
	Stk	TXV (Sporlan)	61-102257-01	61-102257-03	61-102257-04
	Stk	TXV (Emerson)	61-102258-01	61-102258-03	61-102258-04
CONDENSER COIL:					
84a	Stk	Condenser Coil	AS-101714-03	AS-101716-01	AS-101717-01
84b		Servo Valve - Hot Gas (HGVS)	61-103961-01	61-103961-01	61-103961-01
84c		Solenoid Coil (HGVS)	61-103961-07	61-103961-07	61-103961-07
84d		Check Valve	83-102440-05	83-102440-05	83-102440-05

No.	Notes	MODEL TECHNICAL VARIATION COOLING CAPACITY	RLNL- G 090	RLNL- G 120	RLNL- G 151
COIL GROUP					
EVAPORATOR COIL GROUP:					
42a	Stk	Evaporator Coil	AS-90656-68	AS-90656-69	AS-90656-75
42b	Stk	Reheat Coil	65-101478-11	65-101478-11	65-101478-11
		TXV Bulb Strap Kit (2)	64-101357-01	64-101357-01	64-101357-01
42c		Liquid Line Filter Drier (2)	83-22755-05	83-22755-05	83-22755-05
42d		Strap - Filter Drier (2)	AE-102132-01	AE-102132-01	AE-102132-01
42e	Stk	Servo Valve - Liquid Line (LLSV) (2)	61-103961-05	61-103961-05	61-103961-05
42f	Stk	Solenoid Coil (LLSV) (2)	61-103961-09	61-103961-09	61-103961-09
		Bulb Strap Kit - TXV (2)	64-101357-01	64-101357-01	64-101357-01
42g	Stk	TXV - Circuit #1 (Before Date Code Fxxxx indicated)	61-101351-11 (F1114)	61-101351-13 (F0514)	61-101351-14
42g	Stk	TXV - Circuit #1 (On or After Date Code Fxxxx indicated)	61-42662-20 (F1114)	61-42662-19 (F0514)	61-101351-14
42h	Stk	TXV - Circuit #2 (Before Date Code Fxxxx indicated)	61-101351-11 (F1114)	61-101351-13 (F0514)	61-101351-14
42h	Stk	TXV - Circuit #2 (On or After Date Code Fxxxx indicated)	61-42662-20 (F1114)	61-42662-19 (F0514)	61-101351-14
43	Stk	Drain Pan - Removable	68-102699-02	68-102699-02	68-102699-02
FILTER PIECES:					
44		Filter Frame	AE-90606-11	AE-90606-11	AE-90606-11
45		Air Stop - Bottom	AE-102712-10	AE-102712-10	AE-102712-10
46		Air Stop - Side	AE-102712-06	AE-102712-06	AE-102712-06
47		Top Air Stop Assembly	AS-90604-06	AS-90604-06	AS-90604-06
48		Filter Channel (2)	AE-102712-08	AE-102712-08	AE-102712-08
49		Filter Slide (2)	AE-102712-11	AE-102712-11	AE-102712-11
50		Filter (6)	54-42541-01	54-42541-01	54-42541-01
CONDENSER COIL GROUP:					
37a	Stk	Condenser Coil	AS-102704-03	AS-90656-42	65-101478-08
37b	Stk	Condenser Coil	AS-102704-03	AS-90656-42	65-101478-08
38		Front Air Stop	AE-90706-19	AE-90706-19	N/A
39		Rear Air Stop	AE-90706-18	AE-90706-18	N/A
40a,b		Bottom Retainer (2)	AE-90700-03	AE-90700-02	N/A
40a		Micro-Channel Coil Mounting Base - Left	N/A	N/A	68-102752-01
40b		Micro-Channel Coil Mounting Base - Right	N/A	N/A	68-102752-02
41a		Top Support - Condenser Coil	AE-90612-09	AE-90612-02	AE-90612-31
41b		Top Support - Condenser Bulkhead	AE-90612-03	AE-90612-03	AE-90612-30
41c	Stk	Servo Valve - Hot Gas (HGVS)	61-103961-10	61-103961-10	61-103961-11
41d	Stk	Solenoid Coil (HGVS)	61-103961-13	61-103961-13	61-103961-13
	Stk	High Pressure Control (2)	47-23699-04	47-23699-04	47-103669-01
41e	Stk	Low Pressure Control (2)	47-101529-09	47-101529-09	47-101529-09
41f	Stk	Check Valve	83-102440-05	83-102440-05	83-102440-05
		Distributor (3/8 x 3/8 x 5/8)	83-17467-03	83-17467-03	N/A

No.	Notes	MODEL TECHNICAL VARIATION COOLING CAPACITY	RLNL- G 180	RLNL- G 240	RLNL- G 300
COIL GROUP					
EVAPORATOR COIL GROUP:					
40		Air Flow Panel	AS-90828-02H	AS-90828-02H	AS-90828-02H
42a	Stk	Evaporator Coil	AS-102821-03	AS-102652-03	AS-102428-03
42b	Stk	Reheat Coil	65-101478-13	65-101478-13	65-101478-13
42c	Stk	Servo Valve - Liquid Line (LLSV)	61-103961-08	61-103961-08	61-103961-08
42d	Stk	Servo Valve - Liquid Line (LLSV)	61-103961-08	61-103961-08	61-103961-15
42e	Stk	Solenoid Coil - (LLSV) (2)	61-103961-09	61-103961-09	61-103961-09
42f	Stk	TXV/Distributor Assembly - Circuit #1	61-102845-01	61-102687-01	61-102815-01
42g	Stk	TXV/Distributor Assembly - Circuit #2	61-102845-01	61-102687-01	61-102815-01
43	Stk	Drain Pan - Removable	68-102699-01	68-102699-01	68-102699-01
FILTER PIECES:					
44		Filter Frame	AE-90606-10	AE-90606-10	AE-90606-10
45		Air Stop - Bottom	AE-102712-17	AE-102712-17	AE-102712-17
46		Air Stop - Side	AE-102712-14	AE-102712-14	AE-102712-14
47		Top Air Stop Assembly	AS-90604-04	AS-90604-04	AS-90604-04
48		Filter Channel (2)	AE-102712-16	AE-102712-16	AE-102712-16
49		Filter Slide (2)	AE-102712-15	AE-102712-15	AE-102712-15
50		Filter - 20 in. x 25 in. x 2 in. (8)	54-42541-04	54-42541-04	54-42541-04
CONDENSER COIL:					
37	Stk	Condenser Coil Assembly (2)	AS-102647-03	AS-102666-03	AS-102666-03
38a		Air Stop - Front	AE-90706-13	AE-90706-13	AE-90706-13
38b		Corner Brace - Top Front	AS-90706-16H	AS-90706-16H	AS-90706-16H
38c		Post - Front	AS-90706-14H	AS-90706-14H	AS-90706-14H
39a		Air Stop - Rear	AE-90706-12	AE-90706-12	AE-90706-12
39b		Corner Brace - Top Rear	AS-90706-17H	AS-90706-17H	AS-90706-17H
39c		Post - Rear	AS-90706-15H	AS-90706-15H	AS-90706-15H
41		Air Stop- Top Right	AS-90753-08H	AS-90753-08H	AS-90753-08H
41a		Top Support - Inner Condenser Coil (2)	AE-90612-21	AE-90612-08	AE-90612-08
41b		Top Support - Outer Condenser Coil	AE-90612-20	AE-90612-11	AE-90612-11
41c		Top Support - Condenser Bulkhead	AE-90612-18	AE-90612-06	AE-90612-06
41d	Stk	High Pressure Control (2)	47-23699-04	47-23699-04	47-23699-04
41e	Stk	Low Pressure Control (2)	47-101529-09	47-101529-09	47-101529-09
41f	Stk	Check Valve	83-102440-02	83-102440-02	83-102440-02
41g		Filter Drier - Liquid Line (2)	83-22755-11	83-22755-11	83-22755-11
41h	Stk	Servo Valve - Hot Gas (HGVS)	61-103961-12	61-103961-11	61-103961-14
41i	Stk	Solenoid Coil - (HGVS)	61-103961-13	61-103961-13	61-103961-13

No.	Notes	MODEL TECHNICAL VARIATION COOLING CAPACITY ELECTRICAL DESIGNATION	RLNL- G 036 C	RLNL- G 036 D
COMPRESSOR GROUP				
		Compressor ID:	8545	8546
79	Stk	Compressor	55-102045-05S	55-102045-04S
	Stk	Compressor Wiring Harness (Molded Plug)	45-100834-10	45-100834-10

No.	Notes	MODEL TECHNICAL VARIATION COOLING CAPACITY ELECTRICAL DESIGNATION	RLNL- G 048 C	RLNL- G 048 D
COMPRESSOR GROUP				
		Compressor ID:	8547	8548
79	Stk	Compressor	55-102045-11S	55-102045-10S
	Stk	Compressor Wiring Harness (Molded Plug)	45-100834-10	45-100834-10

No.	Notes	MODEL TECHNICAL VARIATION COOLING CAPACITY ELECTRICAL DESIGNATION	RLNL- G 060 C	RLNL- G 060 D
COMPRESSOR GROUP				
		Compressor ID:	8549	8550
79	Stk	Compressor	55-102045-22S	55-102045-23S
	Stk	Compressor Wiring Harness (Molded Plug)	45-100834-10	45-100834-10

No.	Notes	MODEL TECHNICAL VARIATION COOLING CAPACITY ELECTRICAL DESIGNATION	RLNL- G 090 C	RLNL- G 120 C	RLNL- G 151 C
COMPRESSOR GROUP					
		Compressor ID:	8533	8537	8636
75	Stk	Compressor #1	55-102045-08S	55-102045-27S	55-102471-21S
75	Stk	Compressor #2	55-102045-08S	55-102045-27S	55-102471-21S
		Contactora - Compressor	See Electric Group		
	Stk	Plug Harness - Compressor #1	45-102708-01	45-102708-01	45-102708-03
	Stk	Plug Harness - Compressor #2	45-102708-02	45-102708-02	45-102708-04

No.	Notes	MODEL TECHNICAL VARIATION COOLING CAPACITY ELECTRICAL DESIGNATION	RLNL- G 090 D	RLNL- G 120 D	RLNL- G 151 D
COMPRESSOR GROUP					
		Compressor ID:	8534	8538	8637
75	Stk	Compressor #1	55-102045-07S	55-102045-28S	55-102471-22S
75	Stk	Compressor #2	55-102045-07S	55-102045-28S	55-102471-22S
		Contactora - Compressor	See Electric Group		
	Stk	Plug Harness - Compressor #1	45-102708-01	45-102708-01	45-102708-03
	Stk	Plug Harness - Compressor #2	45-102708-02	45-102708-02	45-102708-04

No.	Notes	MODEL TECHNICAL VARIATION COOLING CAPACITY ELECTRICAL DESIGNATION	RLNL- G 180 C	RLNL- G 240 C	RLNL- G 300 C
COMPRESSOR GROUP					
		Compressor:	8555	8557	8586
75	Stk	Compressor #1	55-23156-20S	55-102471-02S	55-102471-13S
75	Stk	Compressor #2	55-23156-20S	55-102471-03S	55-102471-13S
	Stk	Plug Harness - Compressor #1	45-42522-73	45-42522-73	45-42522-73
	Stk	Plug Harness - Compressor #2	45-42522-72	45-42522-72	45-42522-72
41d		High Pressure Control		See Coil Group	
41e		Low Pressure Control		See Coil Group	

No.	Notes	MODEL TECHNICAL VARIATION COOLING CAPACITY ELECTRICAL DESIGNATION	RLNL- G 180 D	RLNL- G 240 D	RLNL- G 300 D
COMPRESSOR GROUP					
		Compressor:	8556	8558	8587
75	Stk	Compressor #1	55-23156-21S	55-102471-09S	55-102471-08S
75	Stk	Compressor #2	55-23156-21S	55-102471-07S	55-102471-08S
	Stk	Plug Harness - Compressor #1	45-42522-73	45-42522-73	45-42522-73
	Stk	Plug Harness - Compressor #2	45-42522-72	45-42522-72	45-42522-72
41d		High Pressure Control		See Coil Group	
41e		Low Pressure Control		See Coil Group	

No.	Notes	MODEL TECHNICAL VARIATION COOLING CAPACITY ELECTRICAL DESIGNATION	RLNL- G 036-060 C	RLNL- G 036-060 D
ELECTRIC HEATER KITS				
		Electric Element Kits	RXJJ-A06C	RXJJ-A06D
		Electric Element Kits	RXJJ-A10C	RXJJ-A10D
		Electric Element Kits	RXJJ-A12C	RXJJ-A12D
		Electric Element Kits	RXJJ-A15C	RXJJ-A15D
		Electric Element Kits	RXJJ-A20C	RXJJ-A20D
		Electric Element Kits	RXJJ-A24C	RXJJ-A24D

No.	Notes	MODEL TECHNICAL VARIATION COOLING CAPACITY ELECTRICAL DESIGNATION	RLNL- G 090-151 C	RLNL- G 090-151 D
ELECTRIC HEATER KITS				
		Electric Element Kits	RXJJ-CC10C	RXJJ-CC10D
		Electric Element Kits	RXJJ-CC15C	RXJJ-CC15D
		Electric Element Kits	RXJJ-CC20C	RXJJ-CC20D
		Electric Element Kits	RXJJ-CC30C	RXJJ-CC30D
		Electric Element Kits	RXJJ-CC40C	RXJJ-CC40D
		Electric Element Kits	RXJJ-CC50D	RXJJ-CC50D

No.	Notes	MODEL TECHNICAL VARIATION COOLING CAPACITY ELECTRICAL DESIGNATION	RLNL- G 180-300 C	RLNL- G 180-300 D
ELECTRIC HEATER KITS				
		Electric Element Kits	RXJJ-CE20C	RXJJ-CE20D
		Electric Element Kits	RXJJ-CE40C	RXJJ-CE40D
		Electric Element Kits	RXJJ-CE60C	RXJJ-CE60D
		Electric Element Kits	RXJJ-CE75C	RXJJ-CE75D

No.	Notes	MODEL TECHNICAL VARIATION COOLING CAPACITY	RLNL- G 036-060
OPTIONS AND ACCESSORIES			
		DDC Economizer with Single Enthalpy and Barometric Relief	AXRD-TKCM3
		DDC Economizer with Single Enthalpy, Smoke Detector and Barometric Relief	AXRD-UKCM3
		Non-Powered Convenience Outlet	RXX-AN02
		Service Disconnect	RXX-AP02
		Dual Enthalpy Kit	RXX-AV02
		CO2 Sensor	RXX-AR02
		Power Exhaust - C Voltage	AXRX-BGF04C
		Power Exhaust - D Voltage	AXRX-BGF04D
		Fresh Air Damper Manual	AXRF-FBA1
		Fresh Air Damper Motorized	AXRF-FBB1
		Louver Kit - (3 Sides)	AXRX-AAD01B
		Comfort Alert	RXX-AZ01
		BACnet Communication Card	RXX-AY01
		Lonworks Communication Card	RXX-AY02
		Low Ambient Control	RXRZ-A04
		Room Humidity Sensor	RHC-ZNS4
		Room Temperature and Relative Humidity Sensor	RHC-ZNS5

No.	Notes	MODEL TECHNICAL VARIATION COOLING CAPACITY	RLNL- G 090-120
ACCESSORIES			
		Horizontal Economizer with Single Enthalpy and Smoke Detector	AXRD-SJCM3
		Horizontal Economizer with Single Enthalpy	AXRD-RJCM3
		Louver Panel - Option	AXRX-AAD01C
		Carbon Dioxide Sensor	RXX-AR02
		Dual Enthalpy Kit	RXX-AV03
		Manual Fresh Air (Left Panel Mounted)	AXRF-KDA1
		Motor Kit for AXRF-KDA1	RXX-AW02
		Manual Fresh Air Damper (Horizontal Return Mounted)	AXRF-JDA1
		Motorized Fresh Air Damper (Horizontal Return Mounted)	AXRF-JDB1
		Modulating Motor Kit w/position feedback for AXRF-KDA1	RXX-AW04
		Outdoor Coil Louver Kit	AXRX-AAD01C
		Comfort Alert	RXX-AZ01
		Convenience Outlet - Option	RXX-AN01
		Low Ambient Control Kit (One per Compressor)	RXRZ-C02
		BACnet Communication Card	RXX-AY01
		LonWorks Communication Card	RXX-AY02
		Room Humidity Sensor	RHC-ZNS4
		Room Temperature and Relative Humidity Sensor	RHC-ZNS5

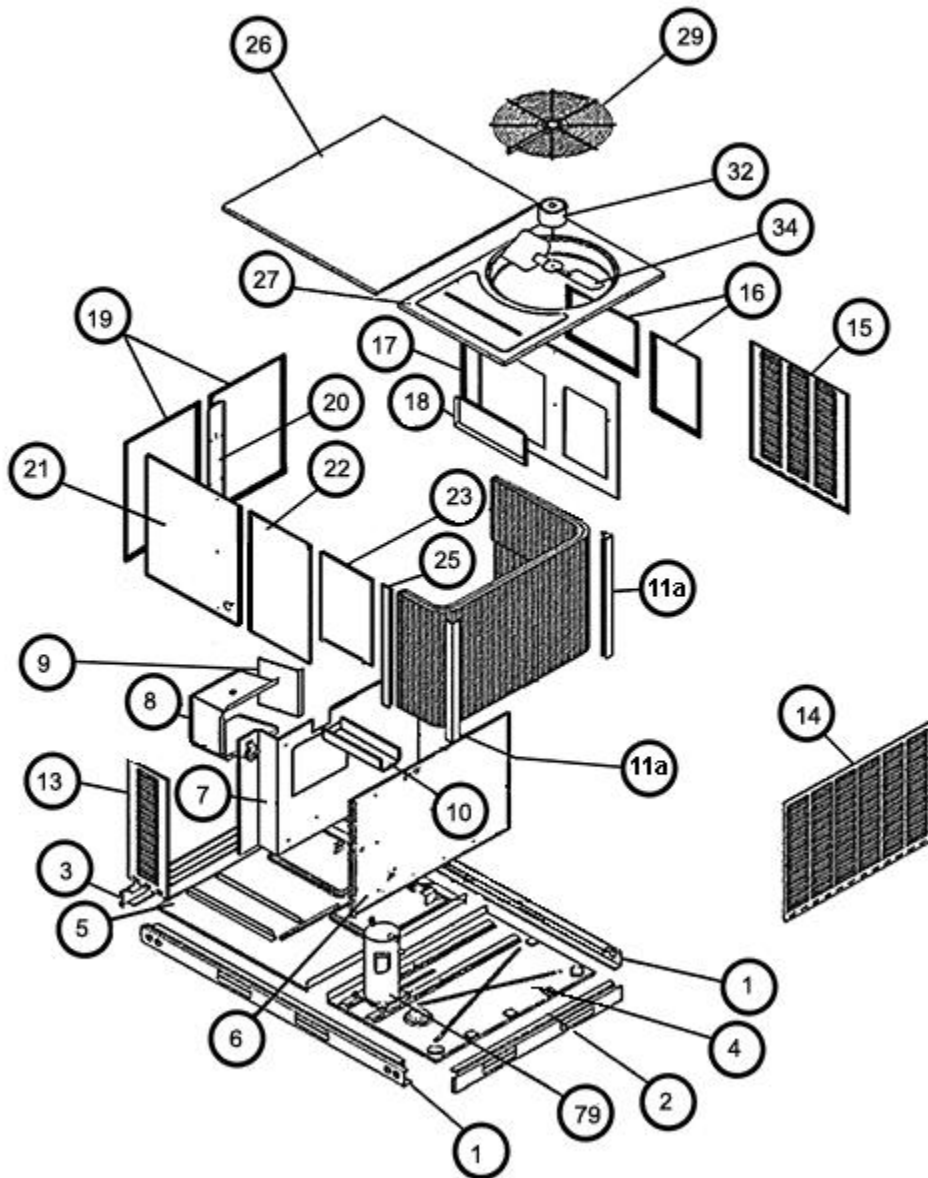
No.	Notes	MODEL TECHNICAL VARIATION COOLING CAPACITY	RLNL- G 090-120
ECONOMIZERS			
		Economizer - Single Enthalpy	AXRD-PJCM3
		Economizer - Single Enthalpy w/Smoke Detector	AXRD-SJCM3
		Horizontal Economizer - Single Enthalpy	AXRD-RJCM3

No.	Notes	MODEL TECHNICAL VARIATION COOLING CAPACITY	RLNL- G 090-120
POWER EXHAUST			
		Power Exhaust	RXX-BFF02C
		Power Exhaust	RXX-BFF02D
		Power Exhaust	RXX-BFF02Y

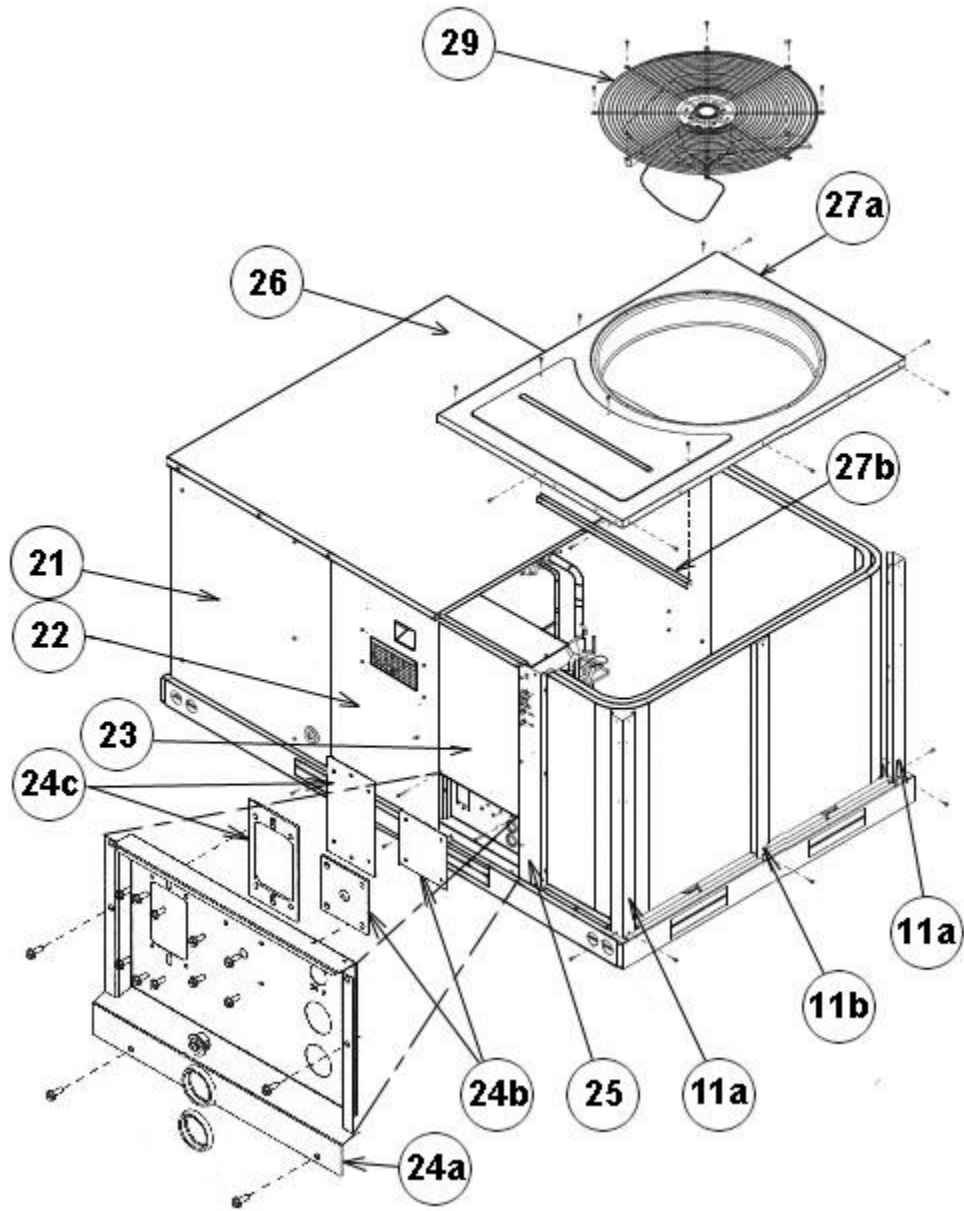
No.	Notes	MODEL TECHNICAL VARIATION COOLING CAPACITY	RLNL- G 180-300
ACCESSORIES			
		Carbon Dioxide Sensor	RXRX-AR02
		Dual Enthalpy Kit	RXRX-AV03
		Manual Fresh Air Damper	AXRF-KFA1
		Motorized Kit for AXRF-KFA1	RXRX-AW03
		Modulating Motor Kit w/position feedback for AXRF-KFA1	RXRX-AW05
		Unwired Convenience Outlet	RXRX-AN01
		Comfort Alert (1 Per Compressor)	RXRX-AZ01
		BACnet Communication Card	RXRX-AY01
		LonWorks Communication Card	RXRX-AY02
		Low Ambient Control Kit (1 Per Compressor)	RXRZ-C02
		Louver Panel Kit (Hail Guard) - Left and Right (Granite/Steel Gray)	AXRX-AAD01L

No.	Notes	MODEL TECHNICAL VARIATION COOLING CAPACITY	RLNL- G 180-300
ECONOMIZERS			
		Downflow Economizer - Single Enthalpy	AXRD-PMCM3
		Downflow Economizer - Single Enthalpy w/Smoke Detector	AXRD-SMCM3
		Horizontal Economizer - Single Enthalpy	AXRD-RMCM3

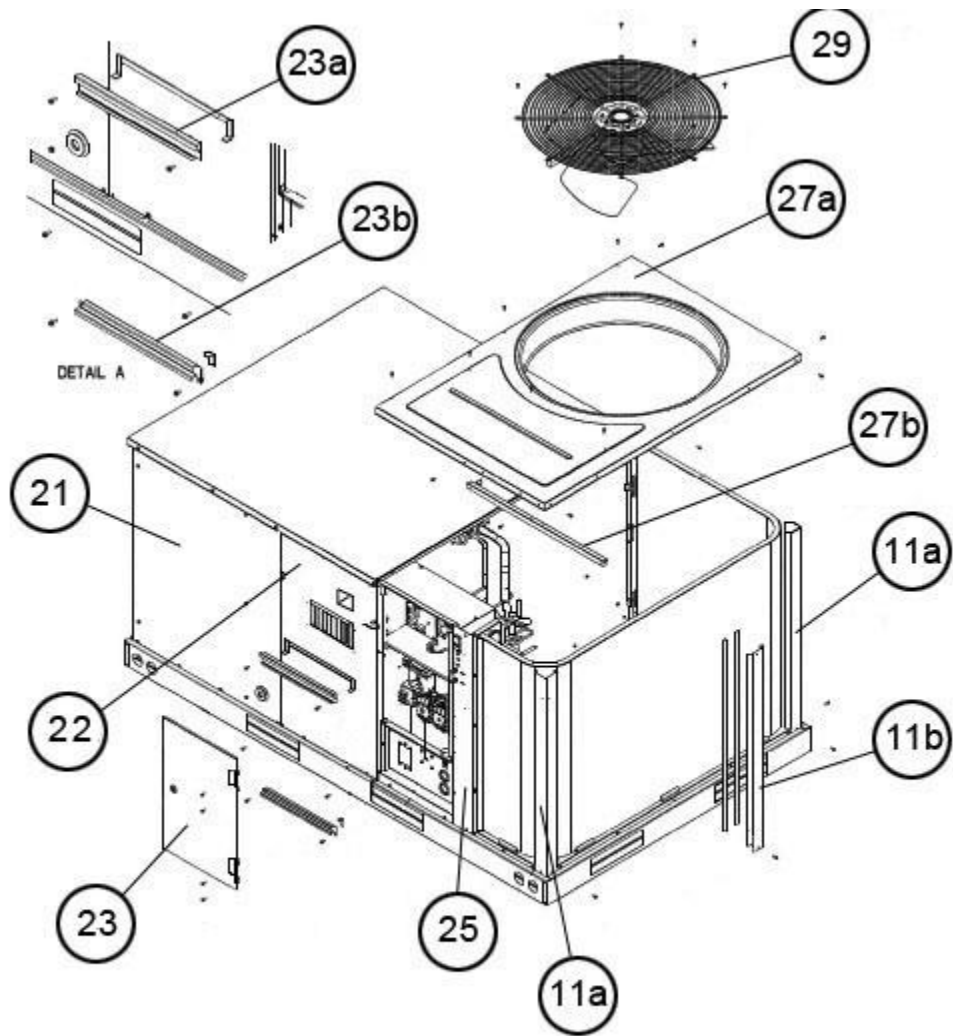
No.	Notes	MODEL TECHNICAL VARIATION COOLING CAPACITY	RLNL- G 180-300
POWER EXHAUST			
		Power Exhaust (208/230V)	RXRX-BGF05C
		Power Exhaust (460V)	RXRX-BGF05D
		Power Exhaust (575V)	RXRX-BGF05Y



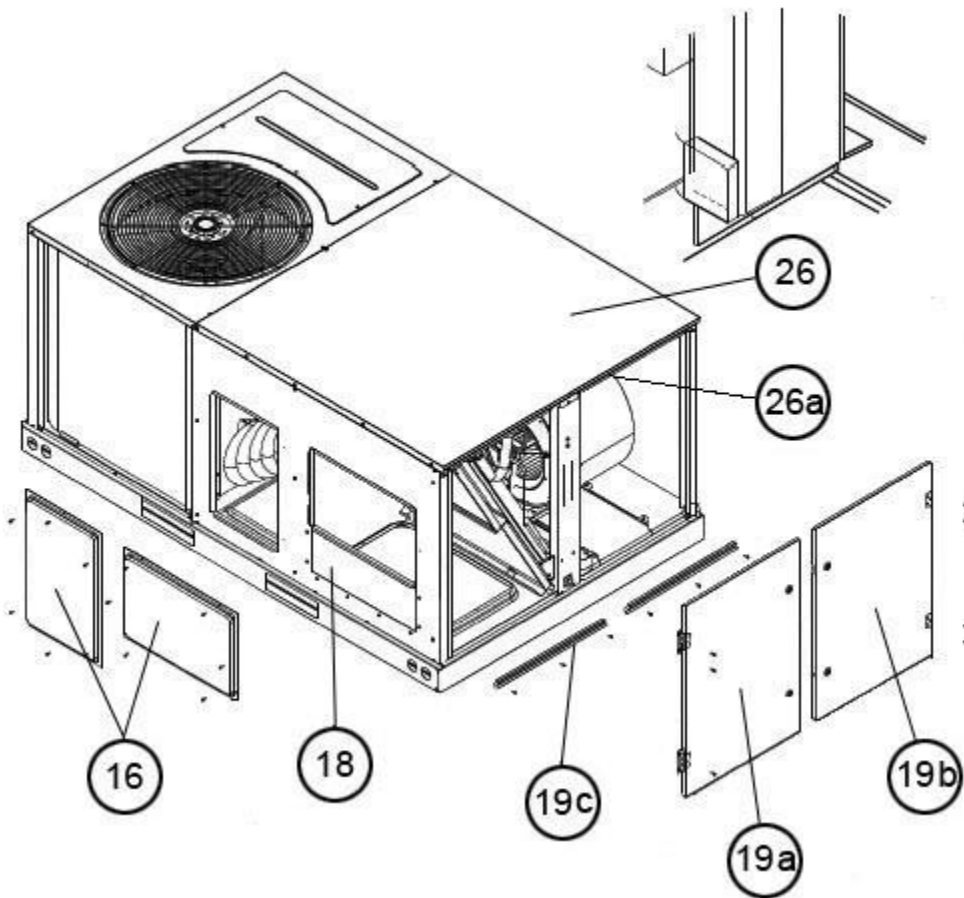
Exploded View 036-060



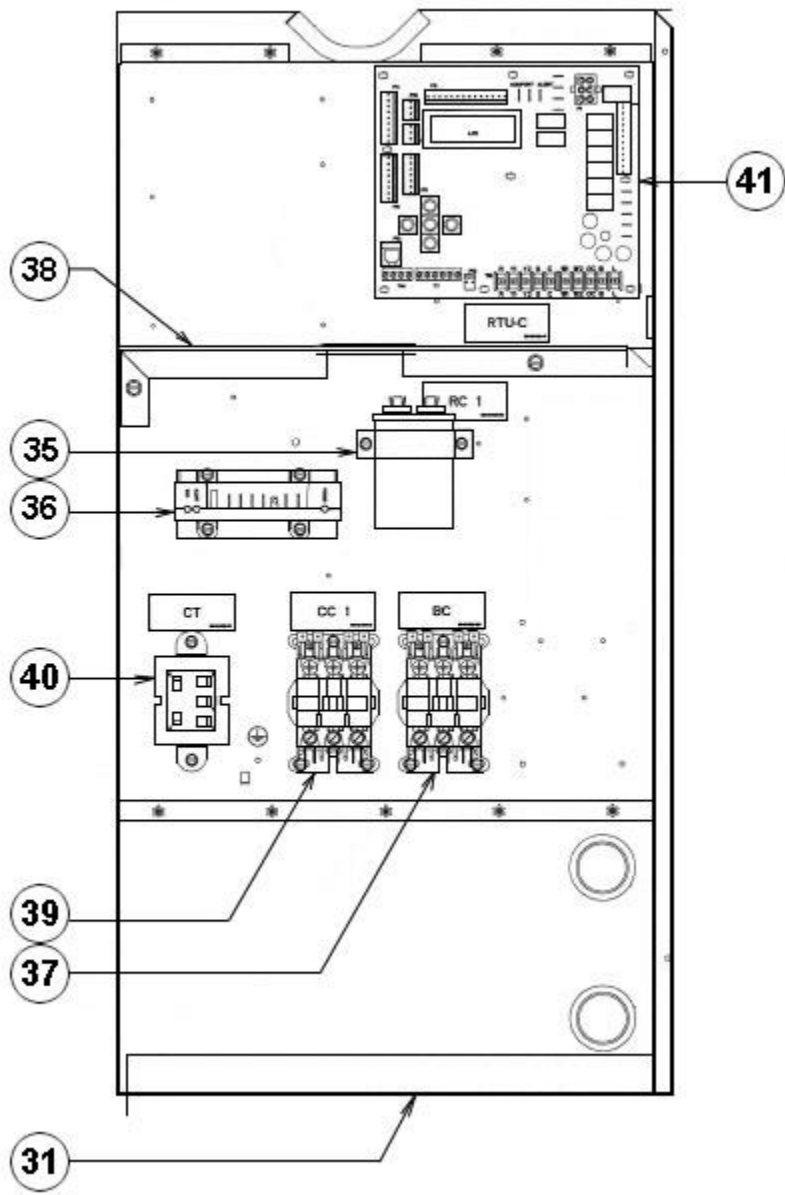
Top Panel View 036-060



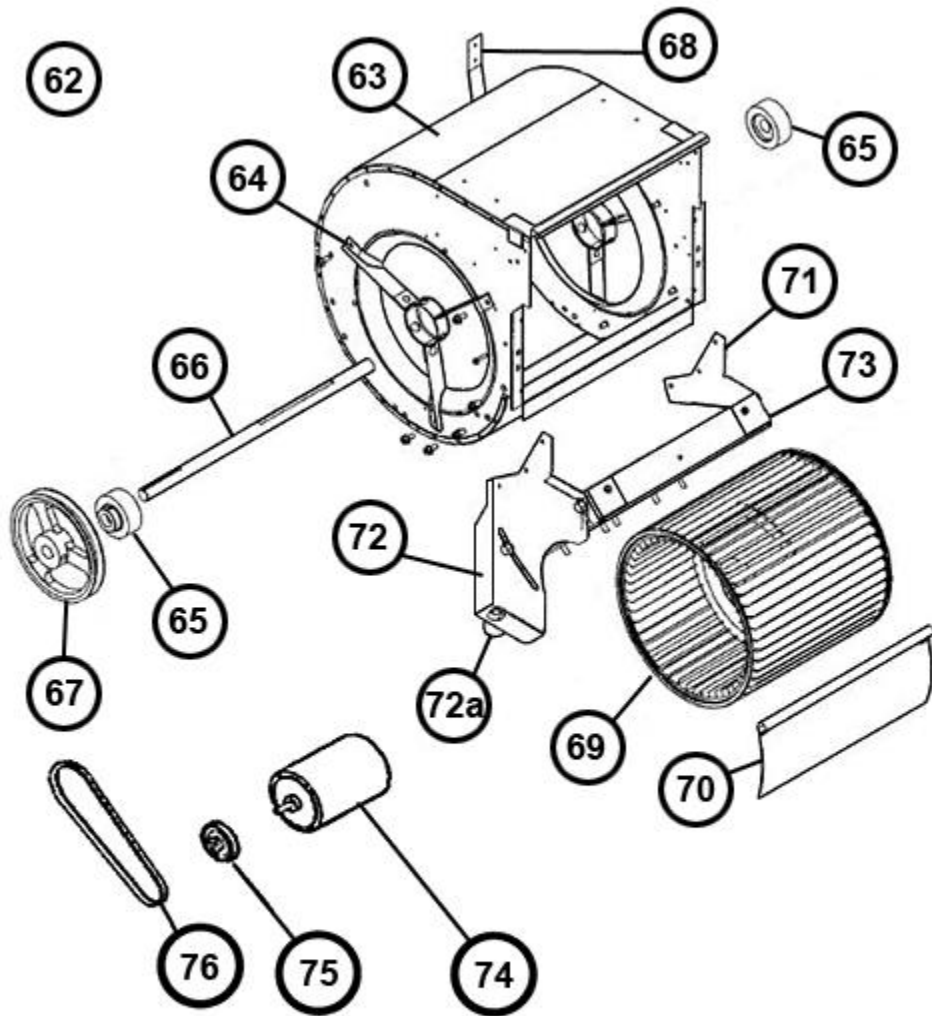
Top Panel View (Hinged-Panels)



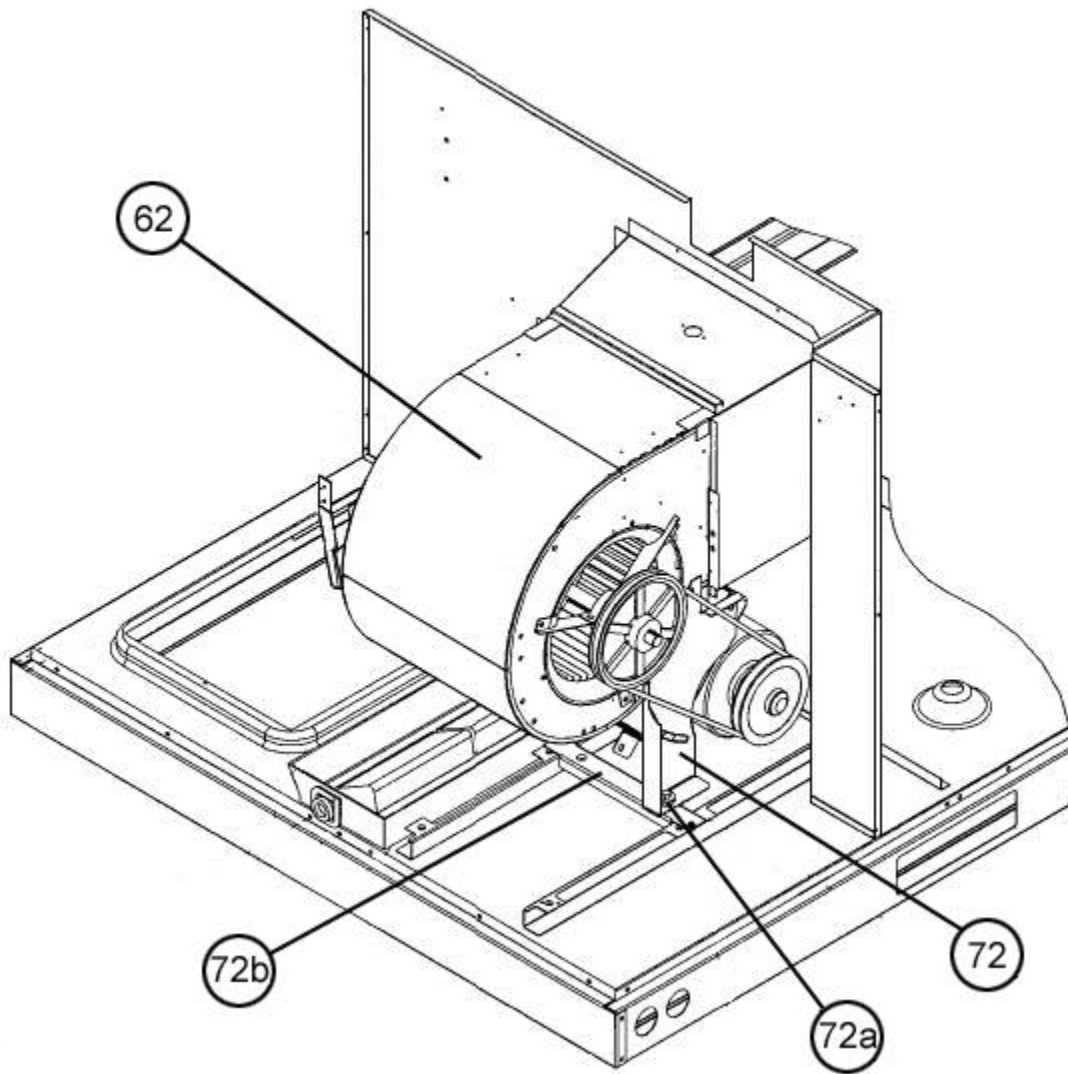
End Panel View (Hinged Panels)



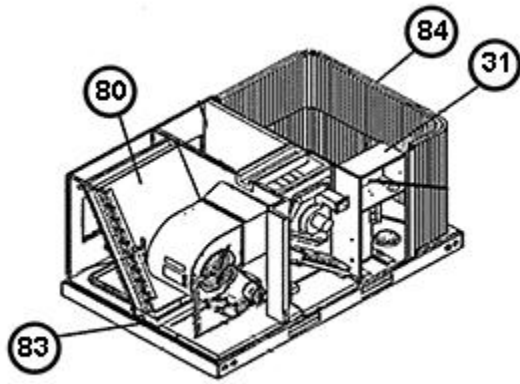
Control Box 036-060



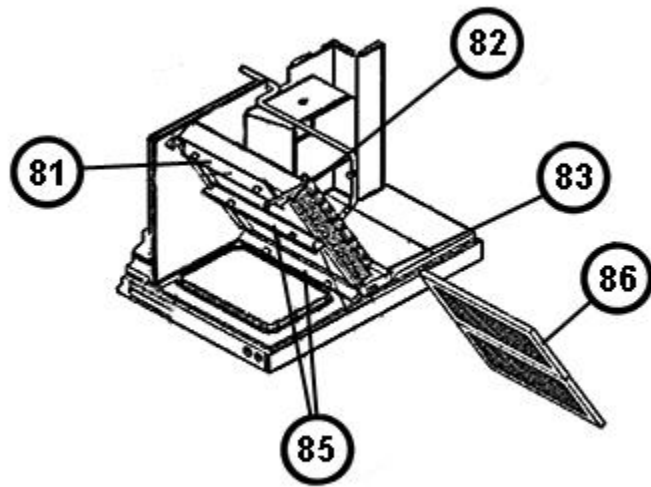
Blower Assembly 036-060



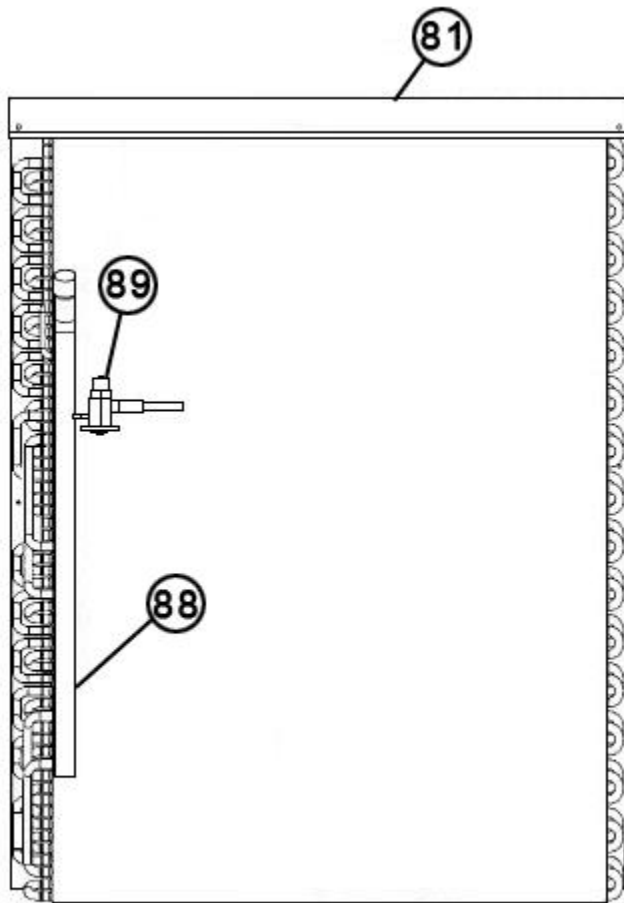
Blower Motor Mount Assembly 036-060



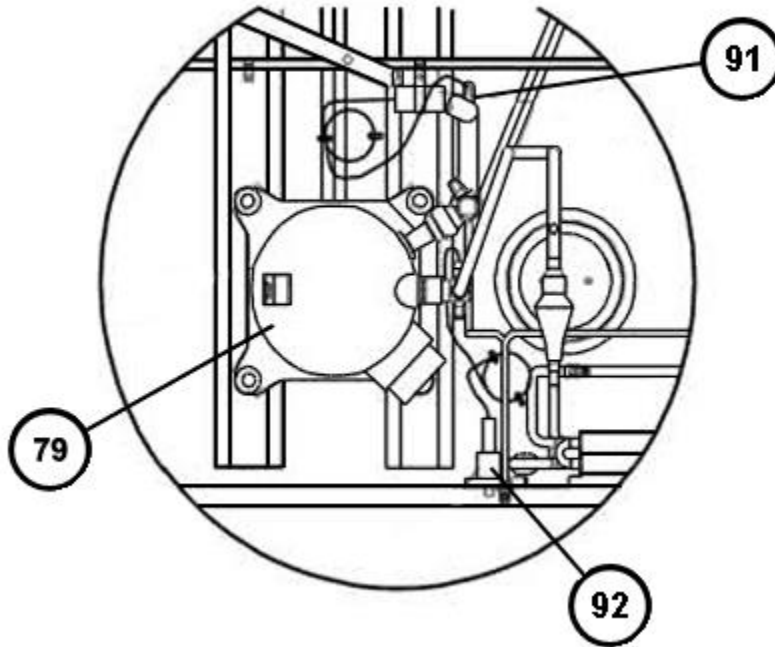
Coil Group Cut-away View 036-060



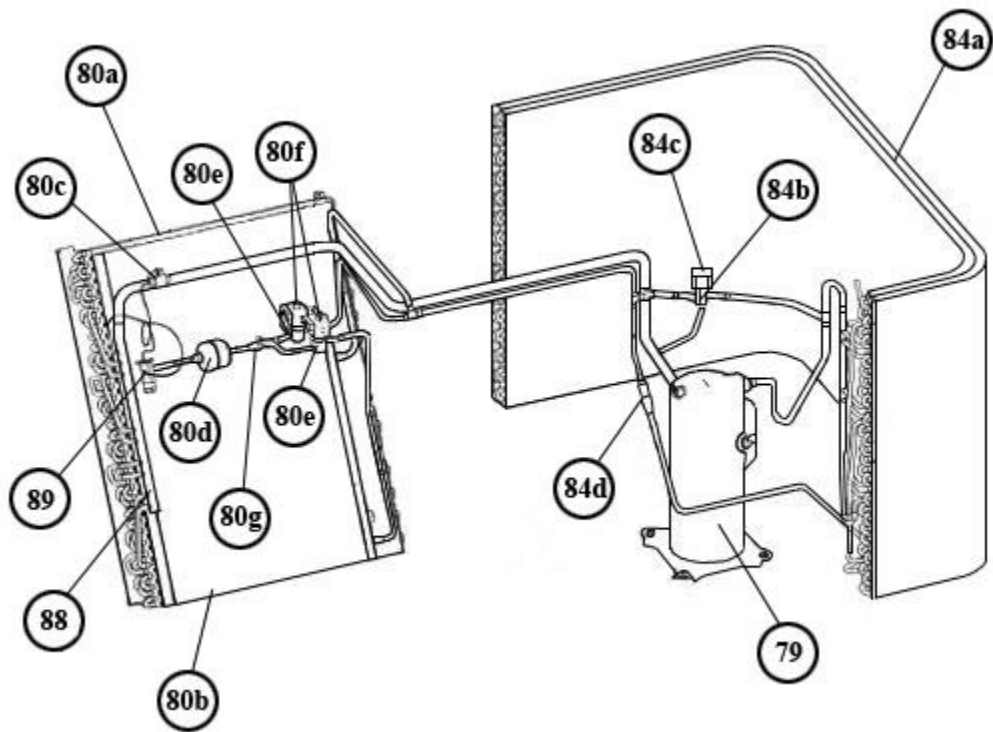
Evaporator Coil - Filter Parts 036-060



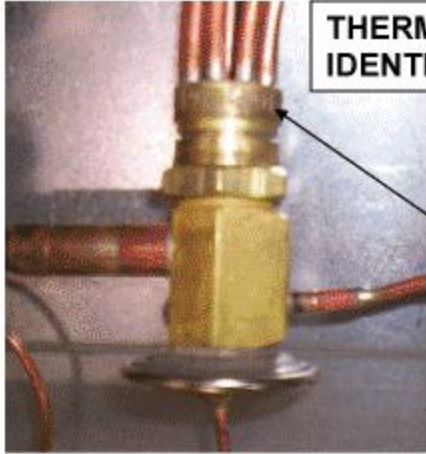
Evaporator Coil Parts 036-060



Compressor - Refrigeration Group 036-060



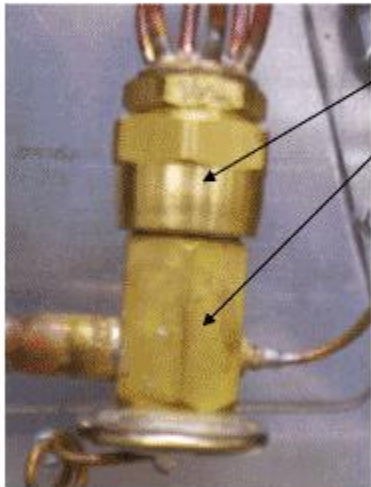
Reheat Circuit Assembly 036-060



THERMAL EXPANSION VALVE MANUFACTURER IDENTIFICATION (For "N" Style Indoor Coils ONLY)

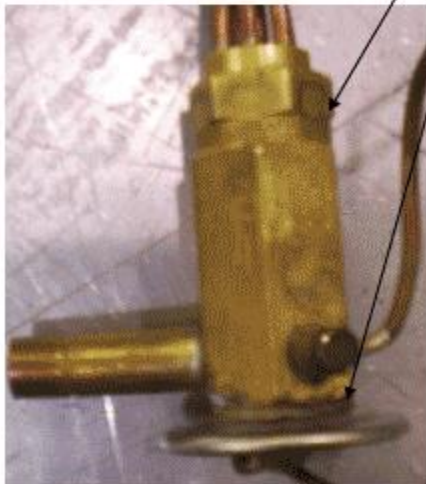
Sporlan Expansion Valves

Look for the name "SPORLAN" engraved on the base at the distributor body assembly.



Parker Expansion Valves

The distributor body is larger (thicker) than the expansion valve body.



Emerson Expansion Valves

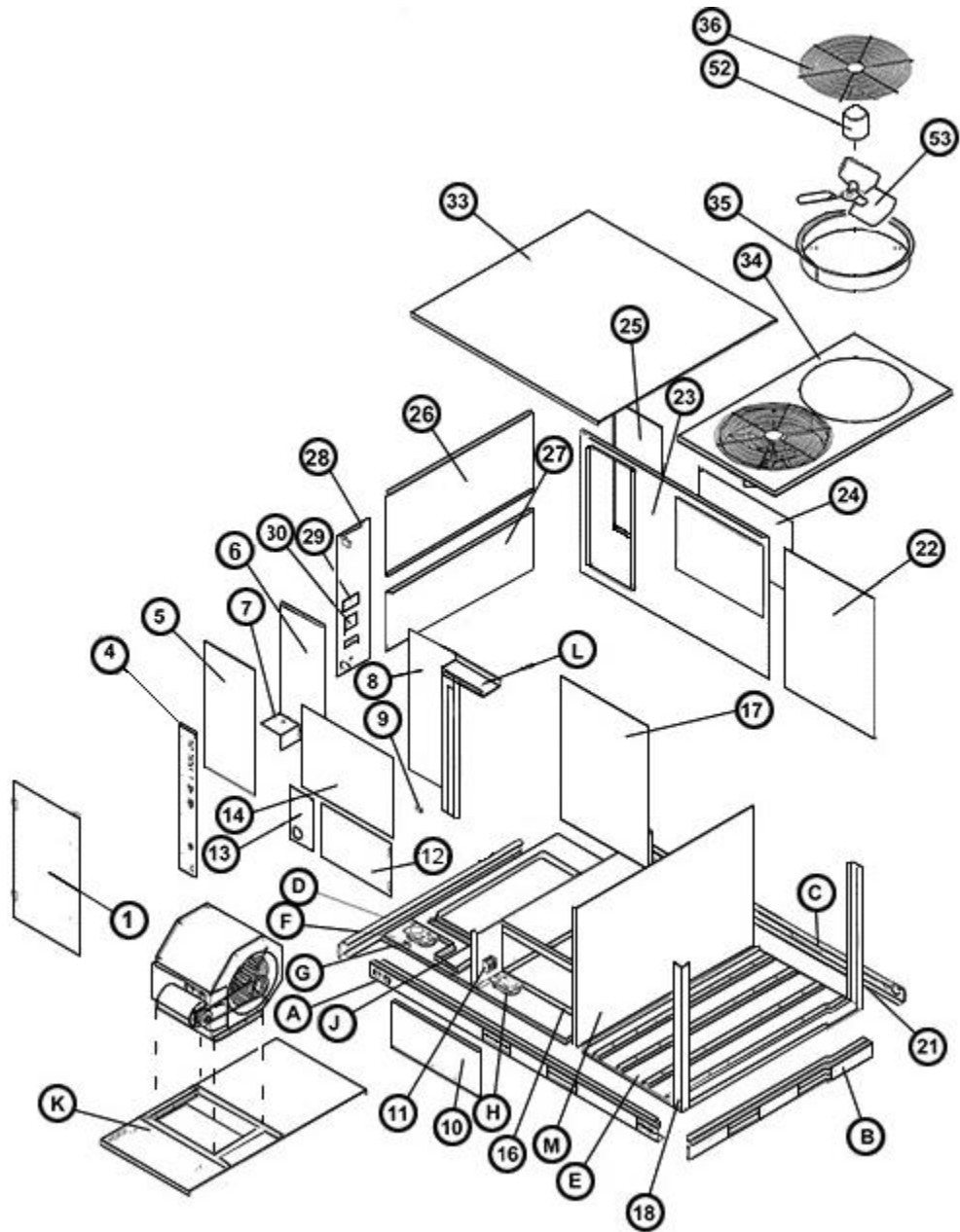
The expansion valve body is about two (2) inches long. Look between the arrows.

IMPORTANT NOTE:

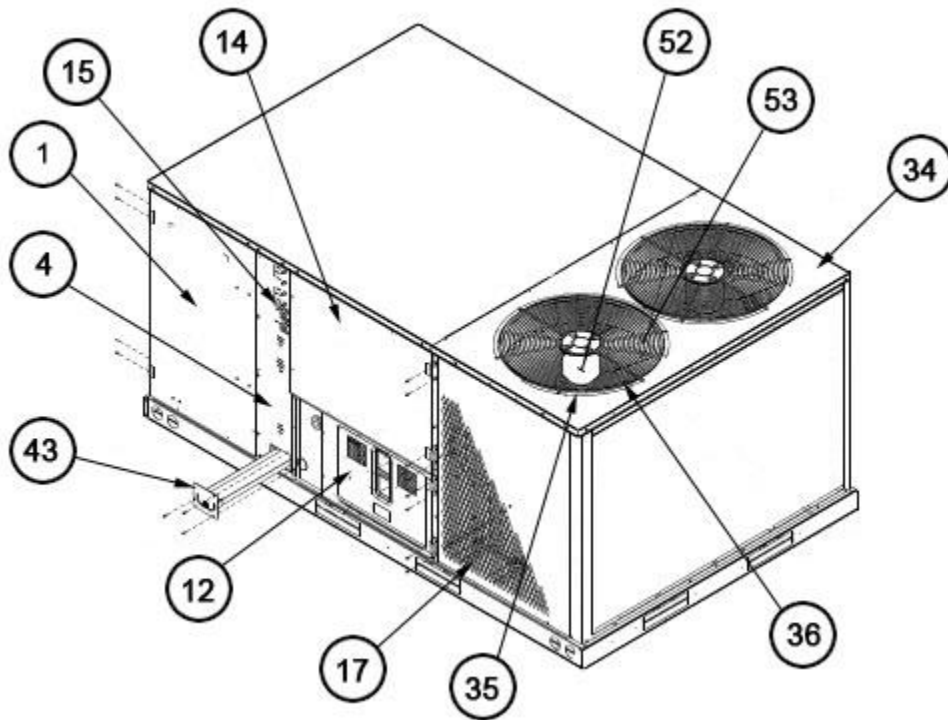
To obtain the correct replacement TXV you must either:

- 1. Provide the EXACT TXV part number obtained by examining the unit.**
- 2. Provide a) The unit model number and b) the TXV manufacturer (determined by using this guide).**

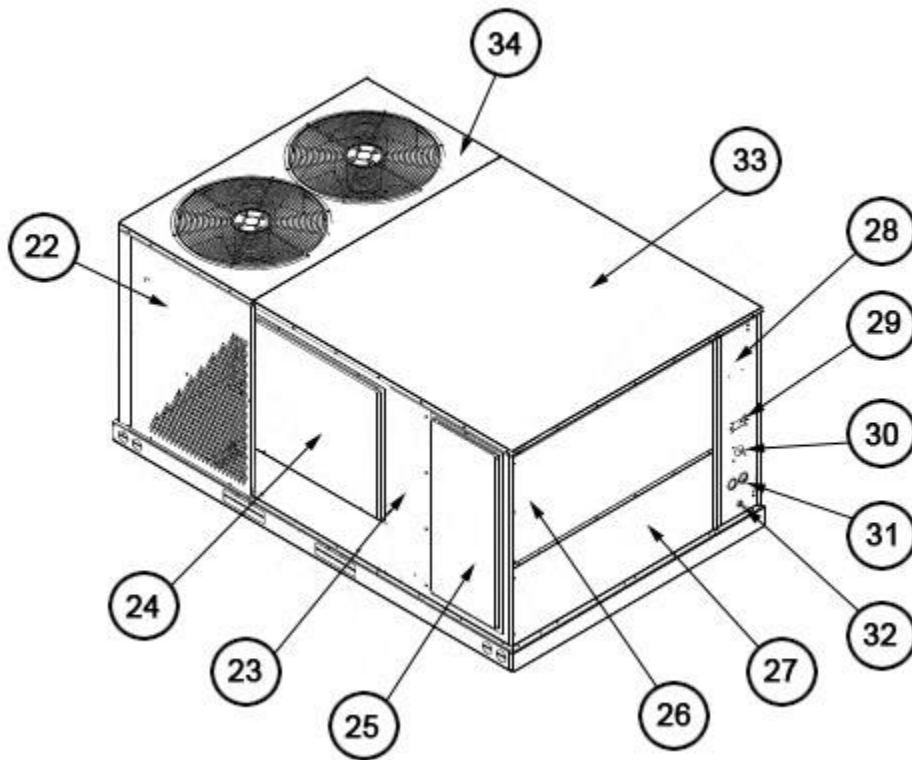
TXV Identification Guide



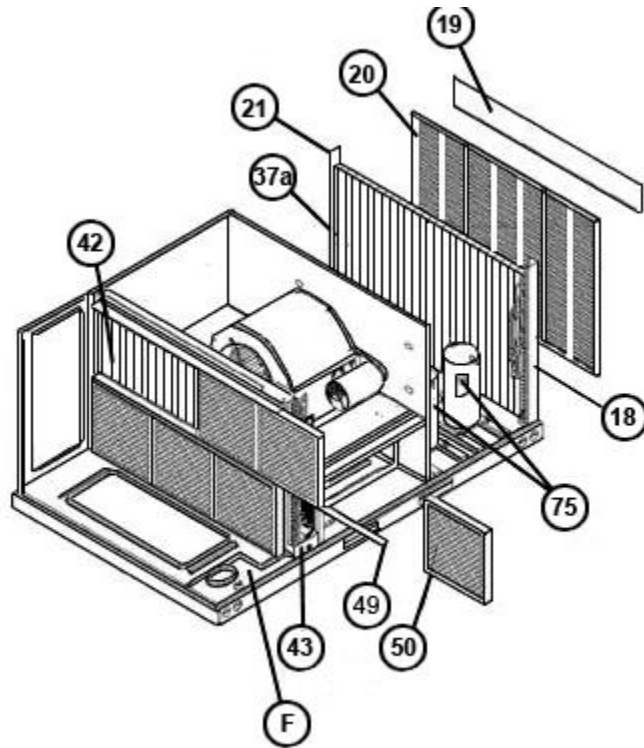
Exploded View 090-151



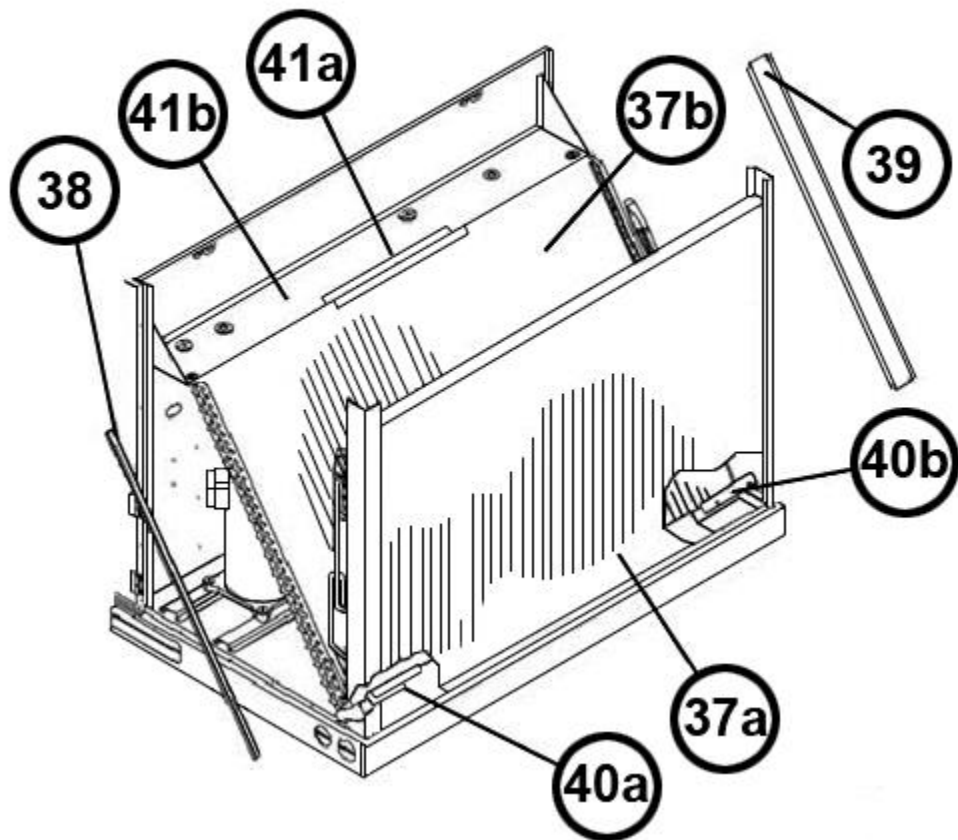
Exterior - Front 090-151



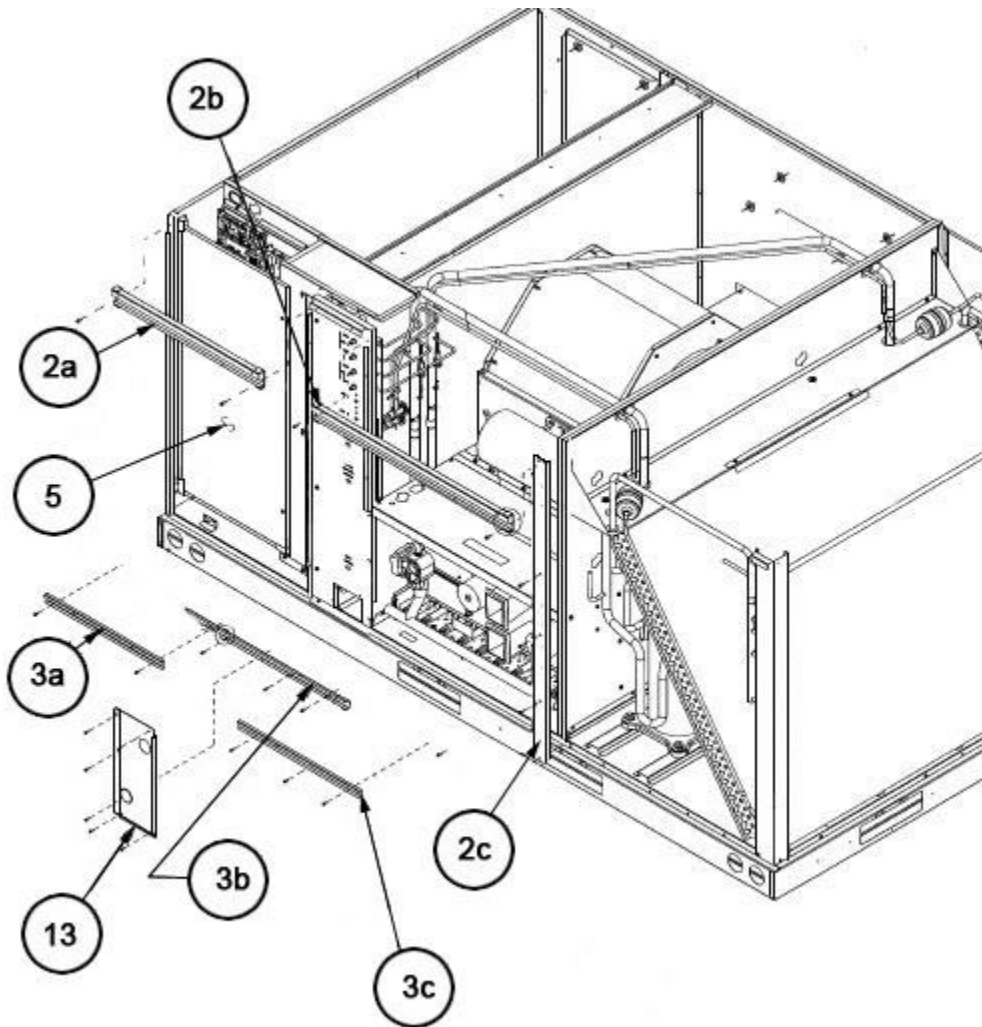
Exterior - Back 090-151



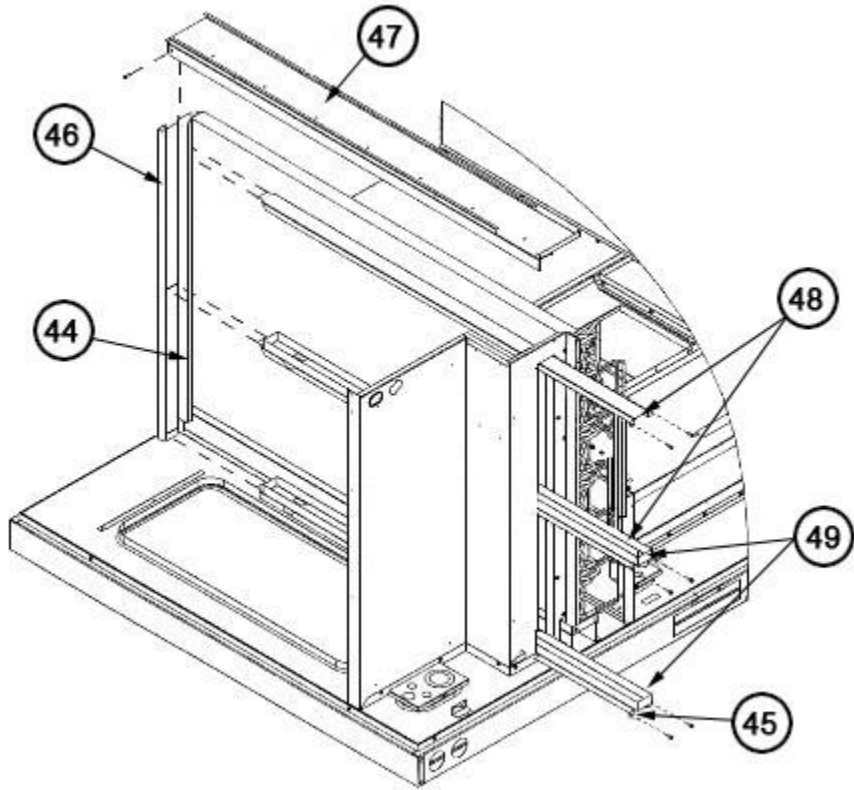
Filter-Coil Assembly 090-151



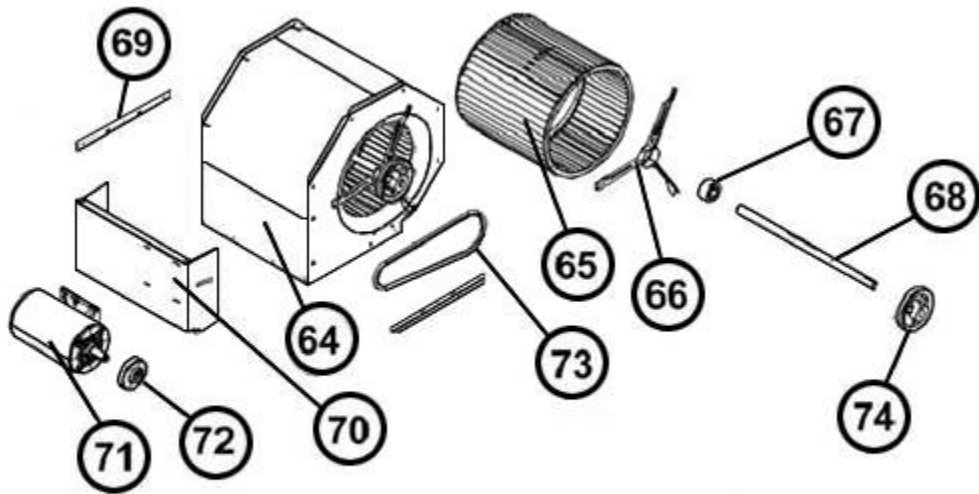
Condenser Coil Assembly 090-151



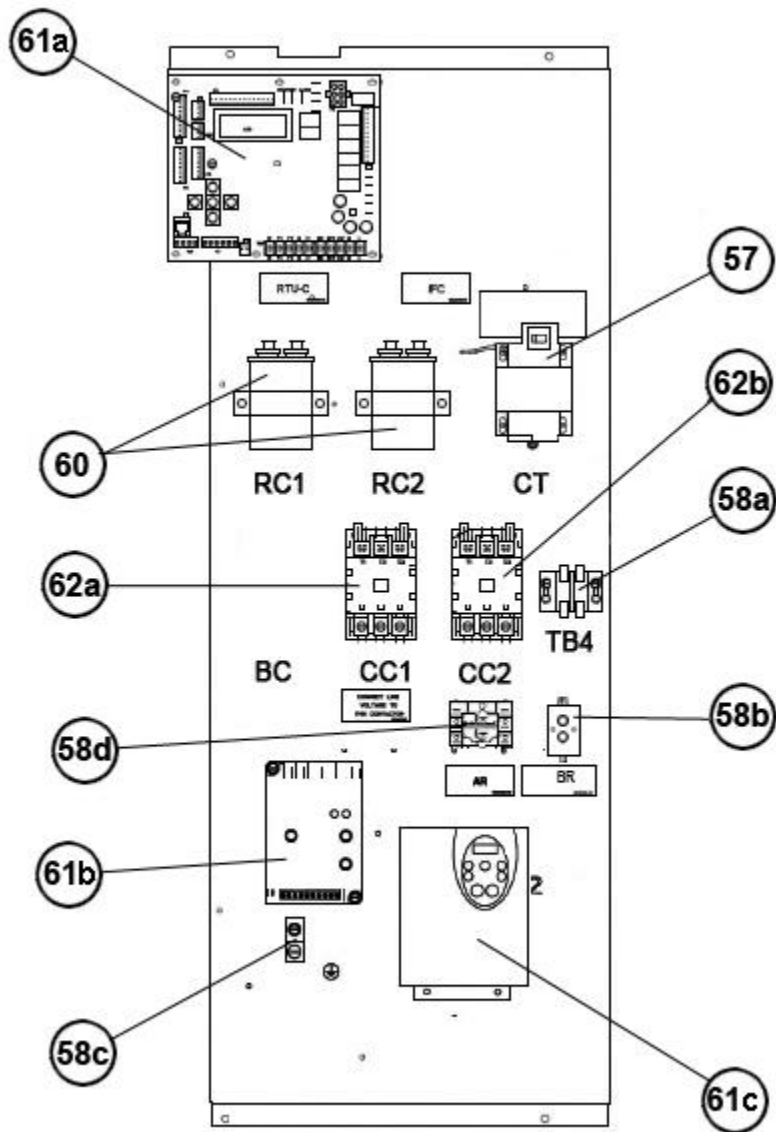
Front Panel Brackets 090-151



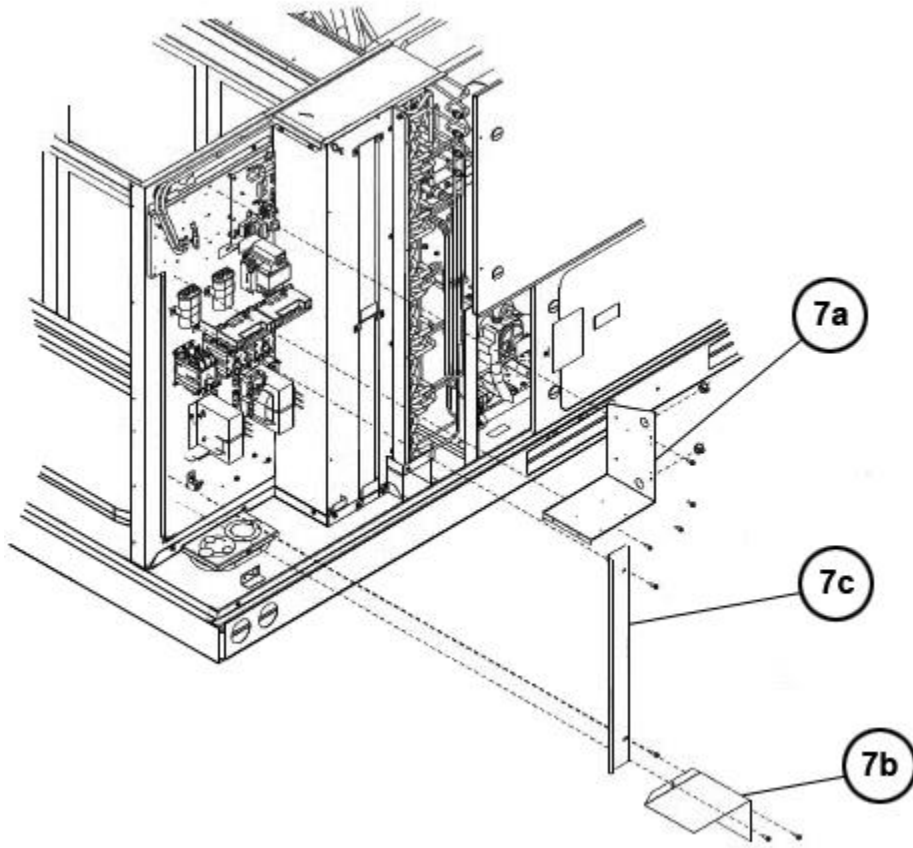
Filter Frame Assembly 090-151



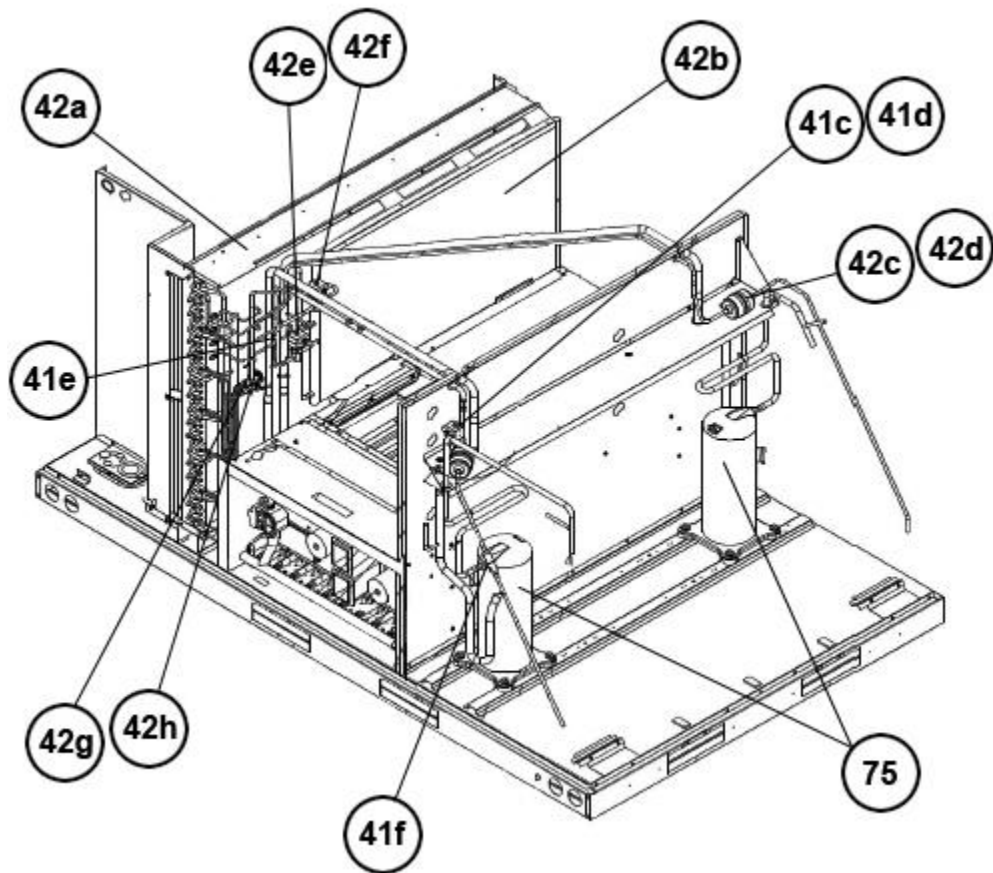
Blower Assembly 090-151



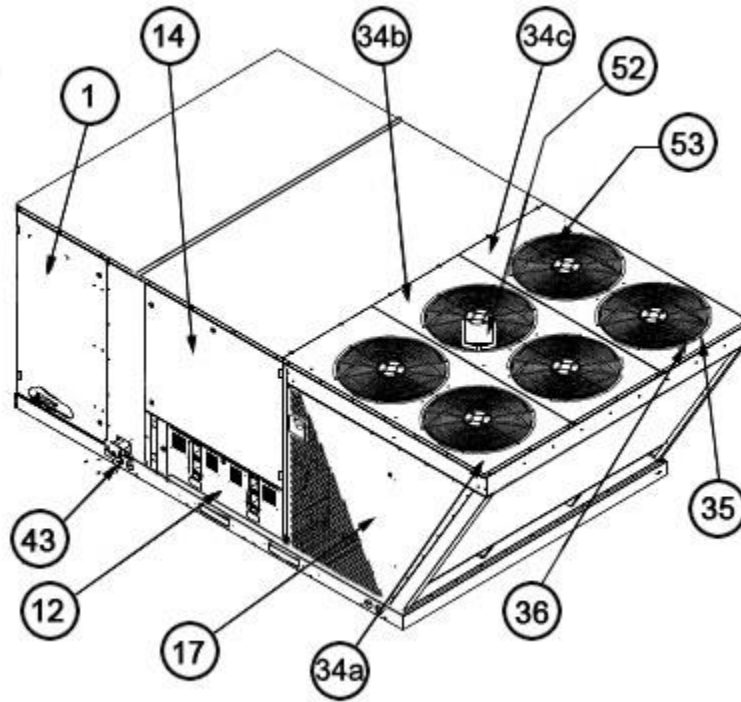
Control Box 090-151



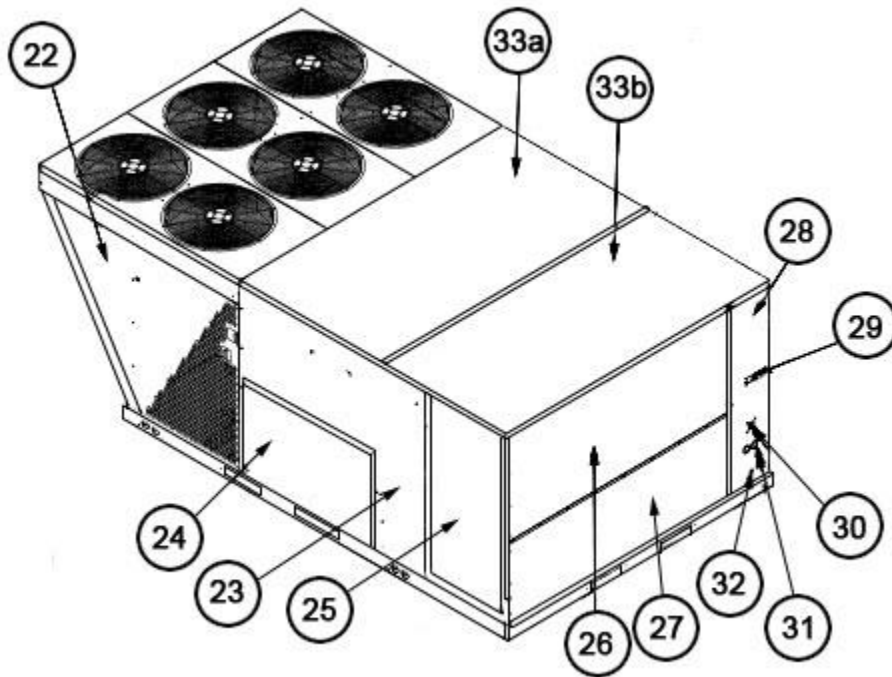
Low Voltage Shields 090-151



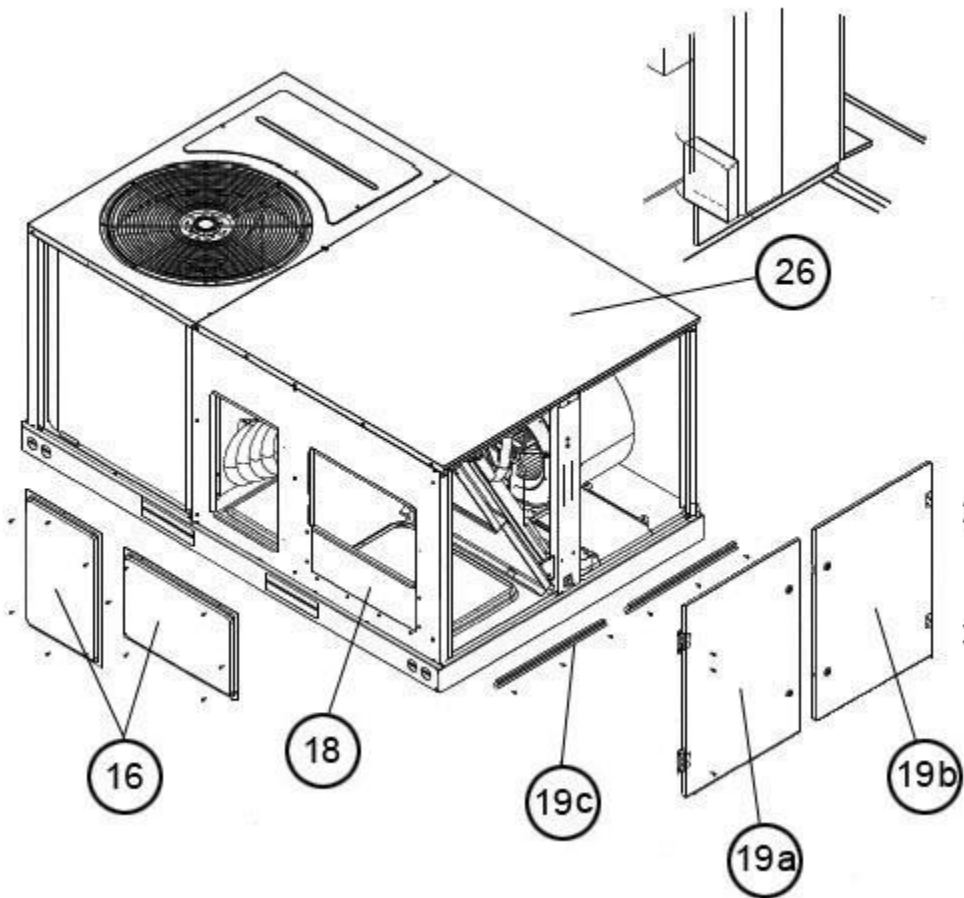
Reheat Circuit Assembly 090-151



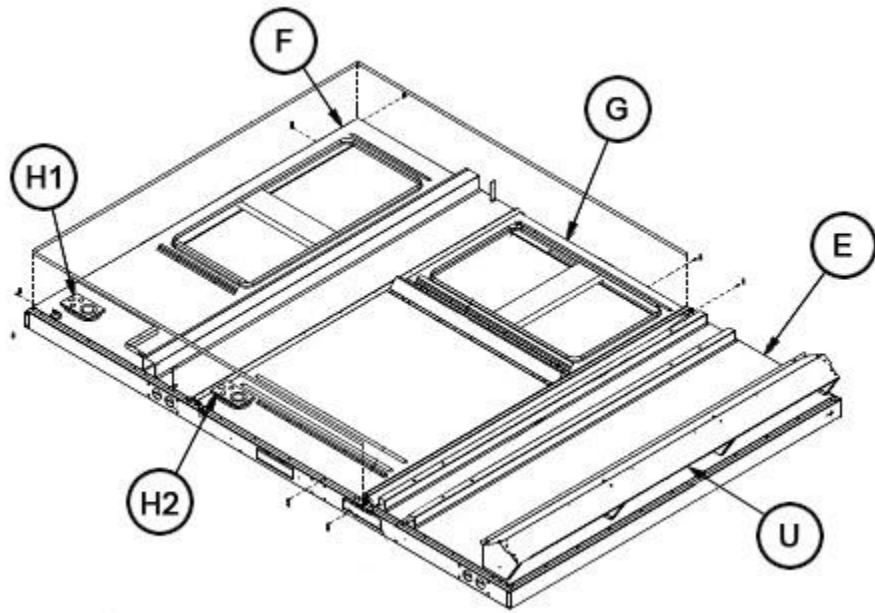
Exterior - Front 180-300



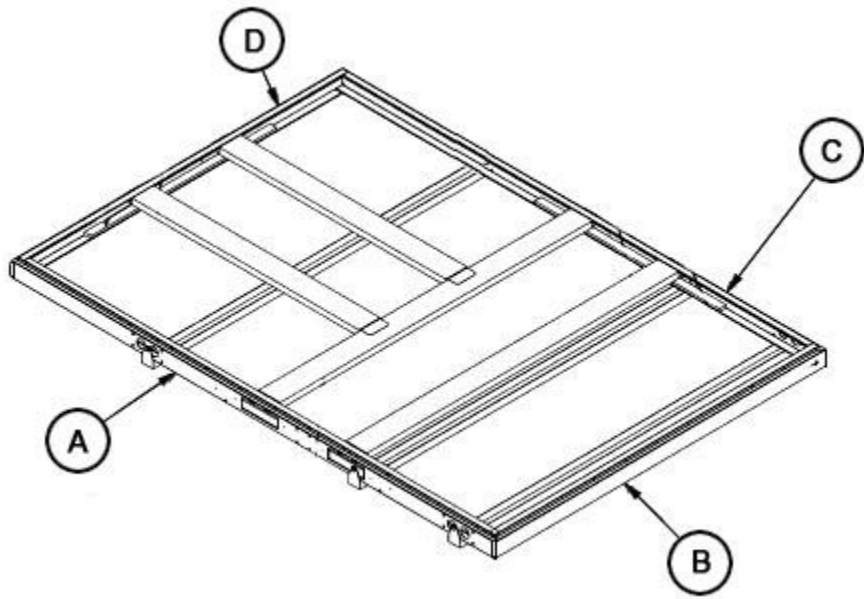
Exterior - Rear 180-300



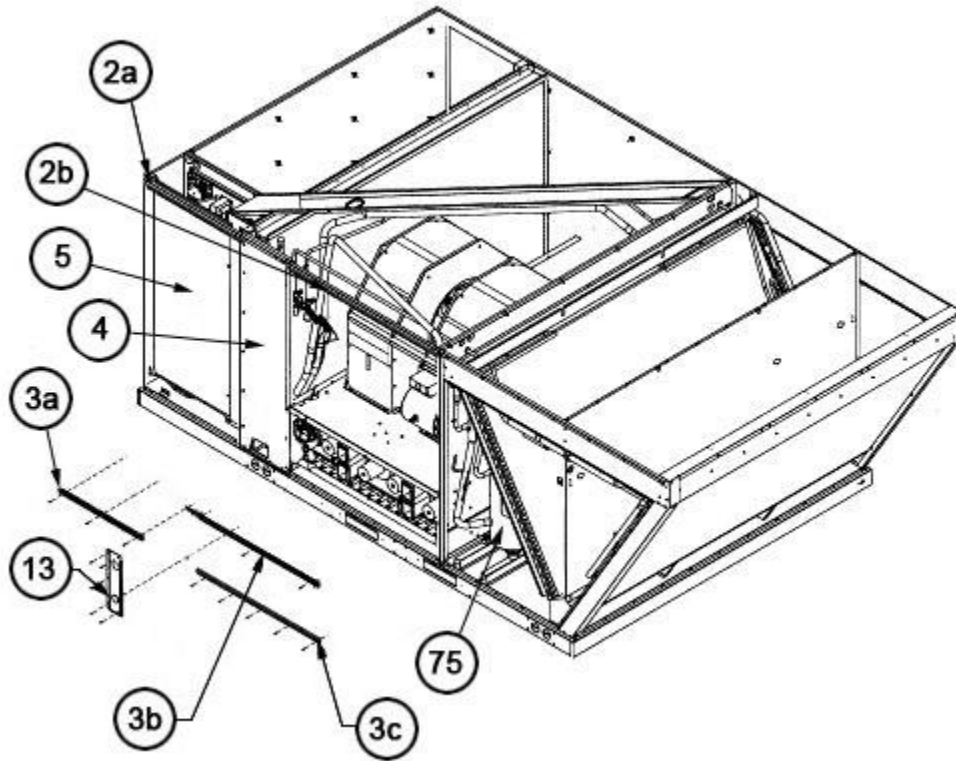
Exterior----Rear-180-30



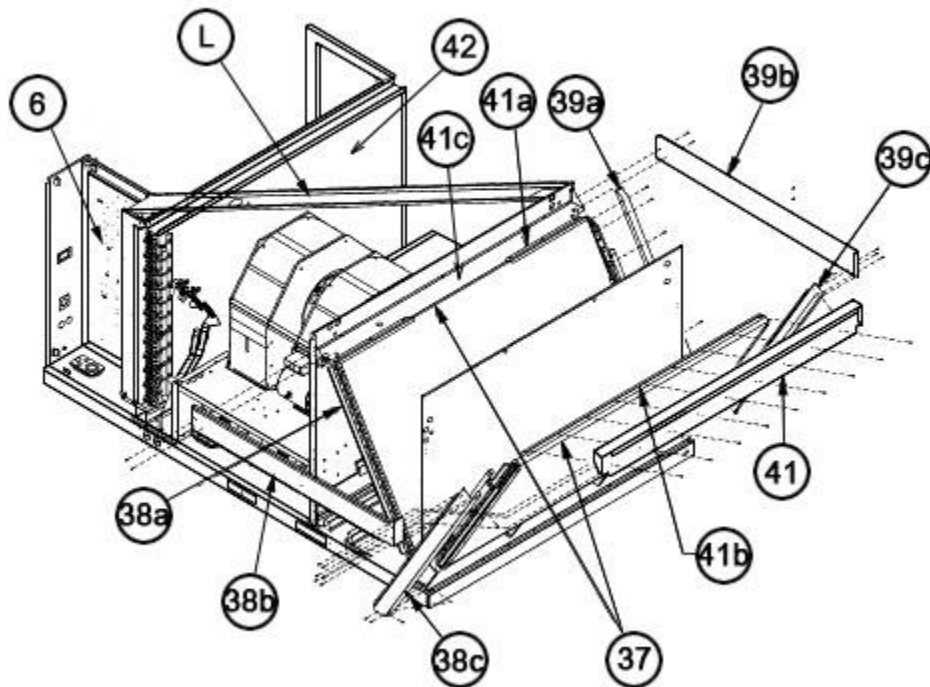
Base Pan Assembly 180-300



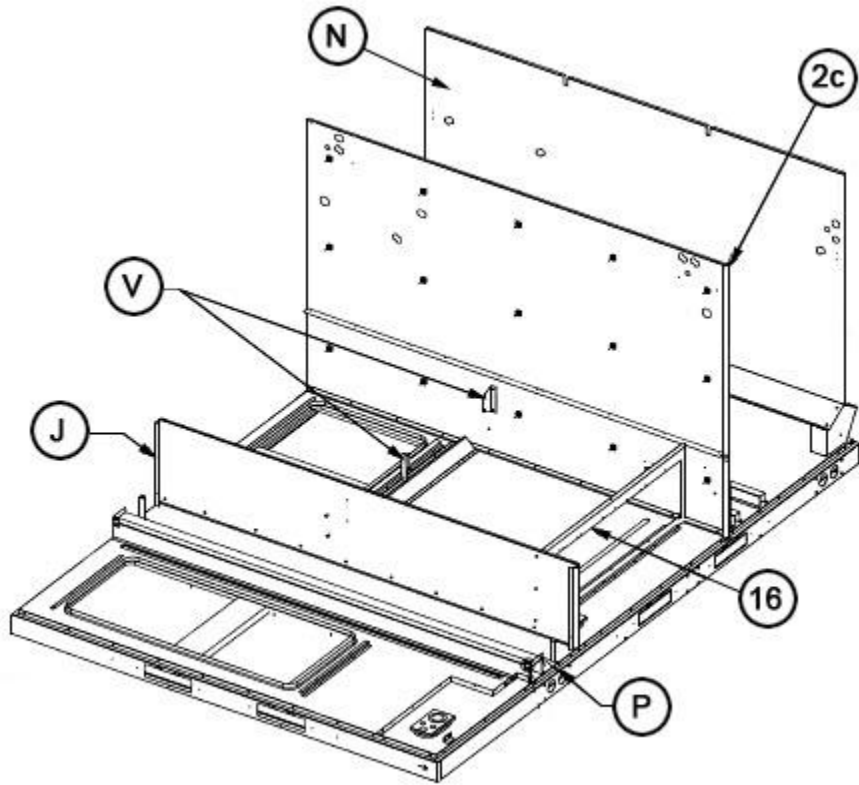
Base Rail Assembly 180-300



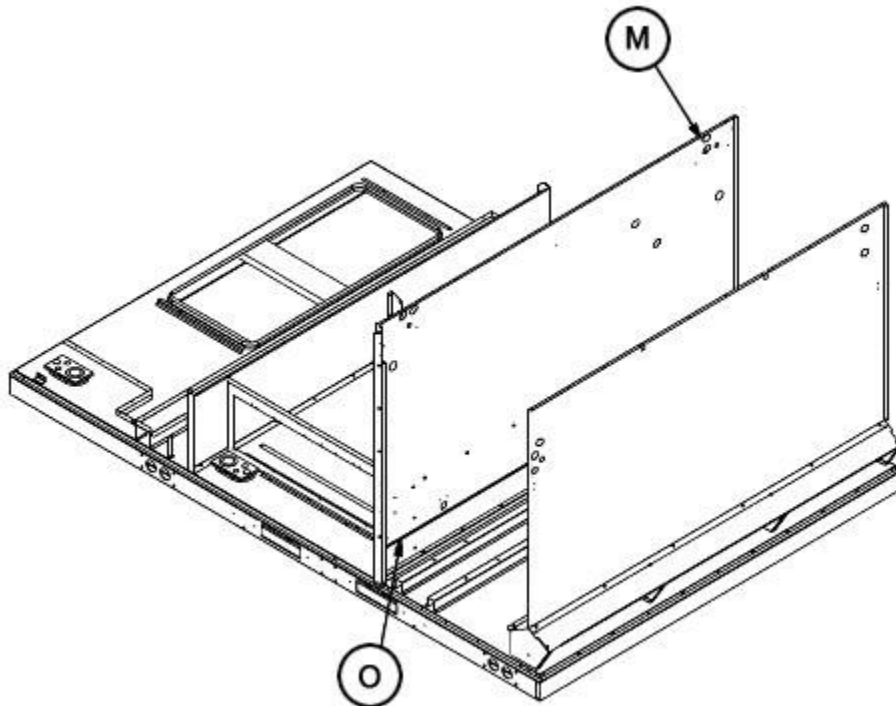
Front Panel Brackets 180-300



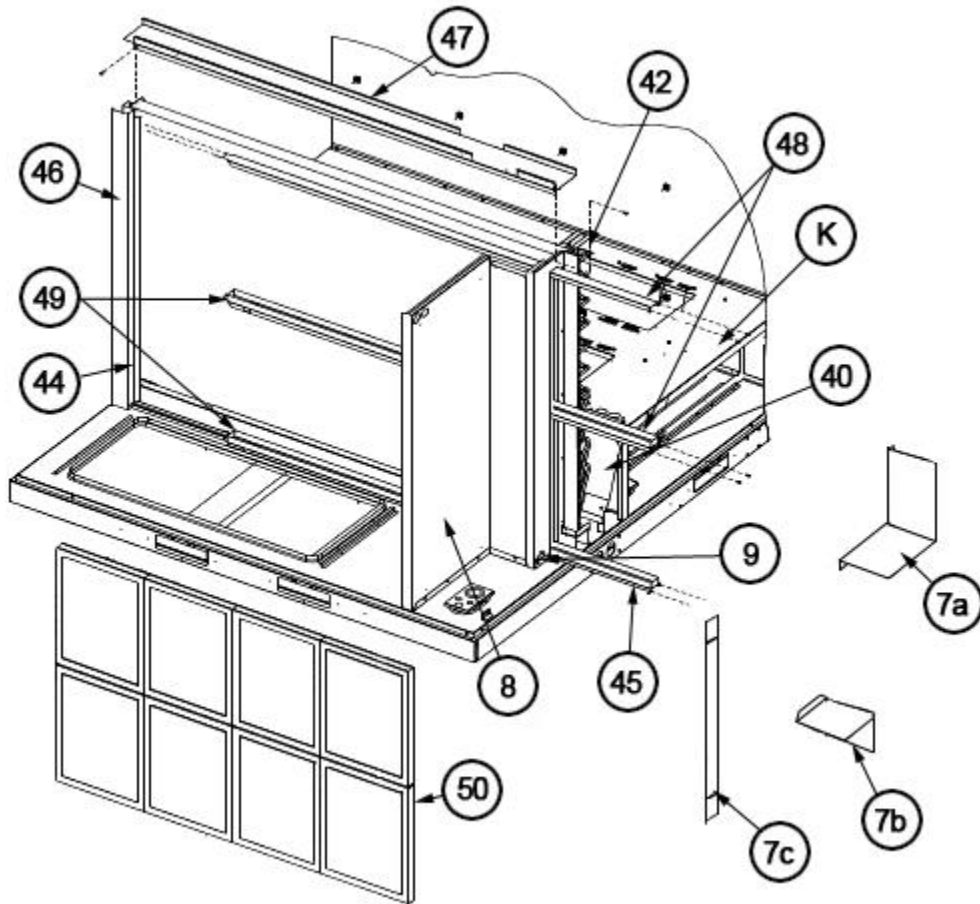
Interior - Coil 180-300



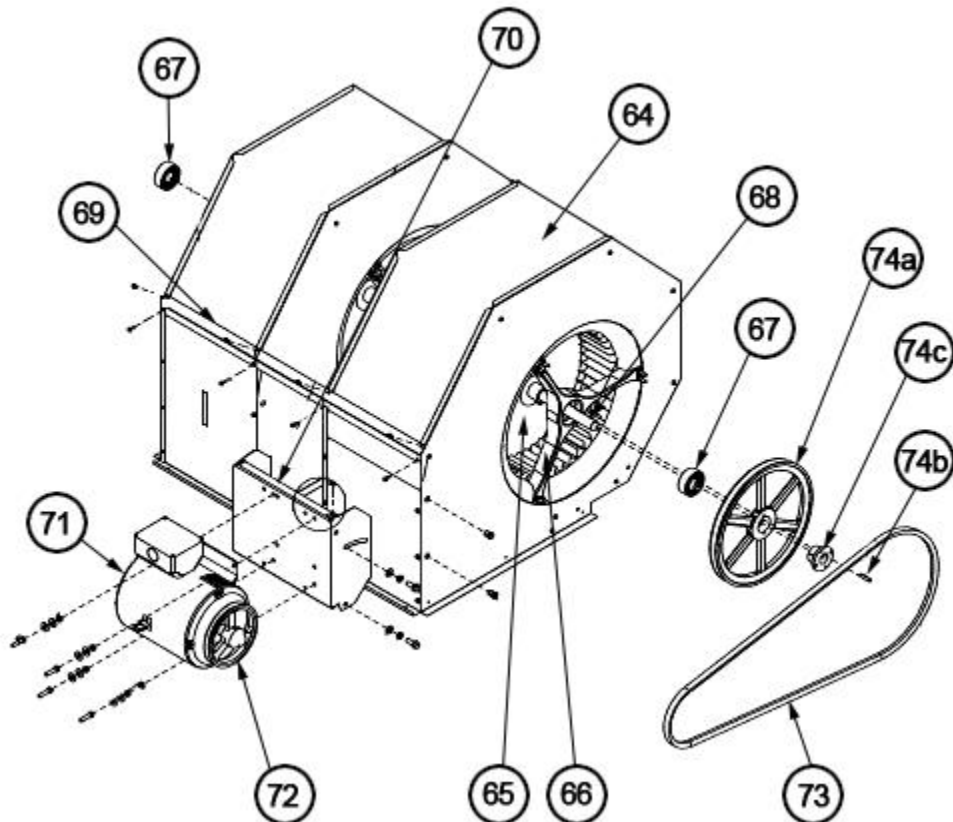
Heat Compartment 180-300



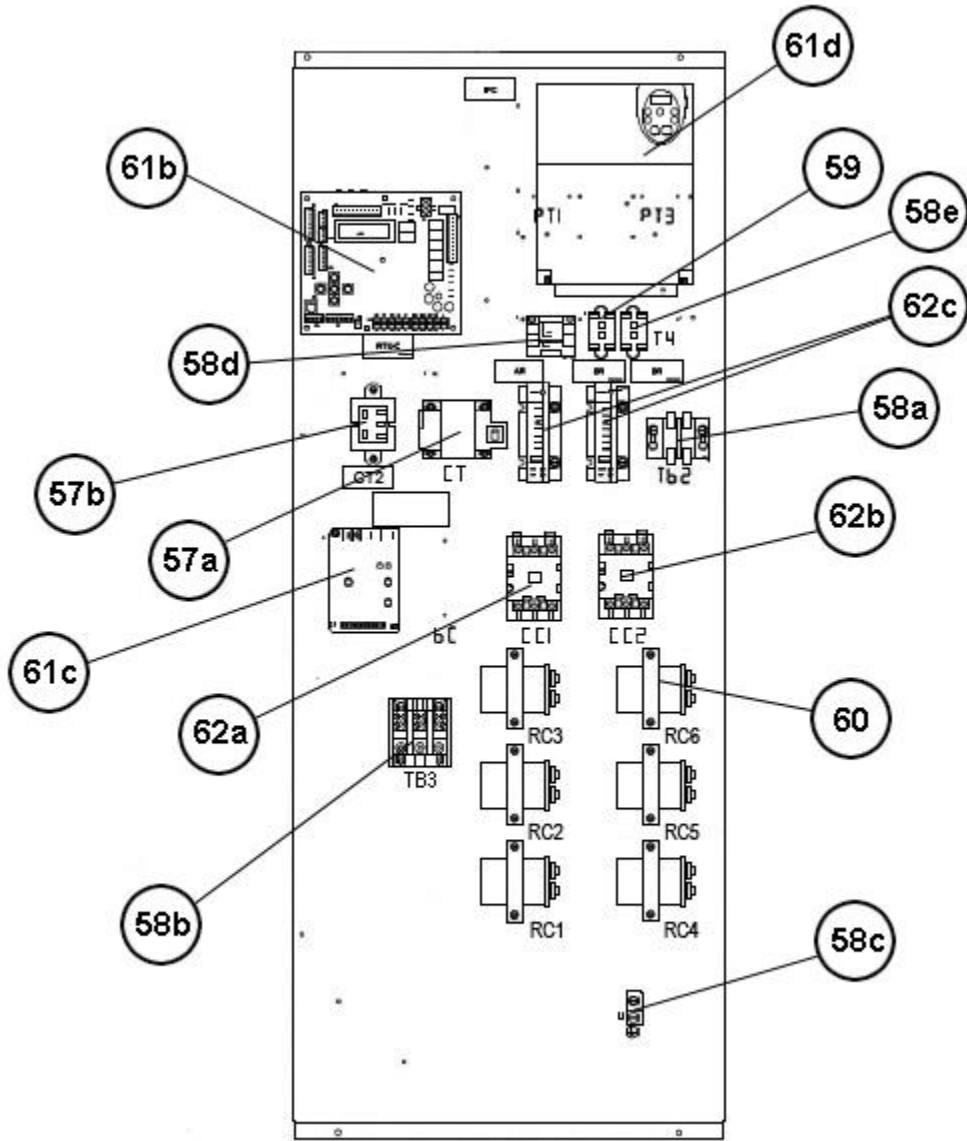
Condenser Bulkhead 180-300



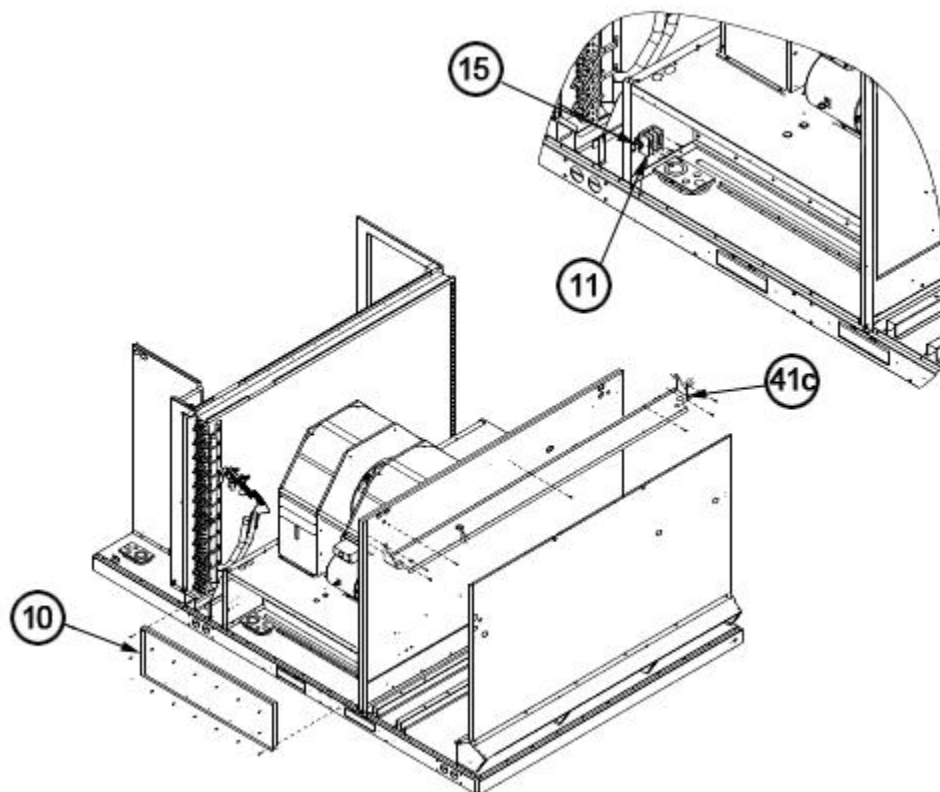
Filter Frame Assembly 180-300



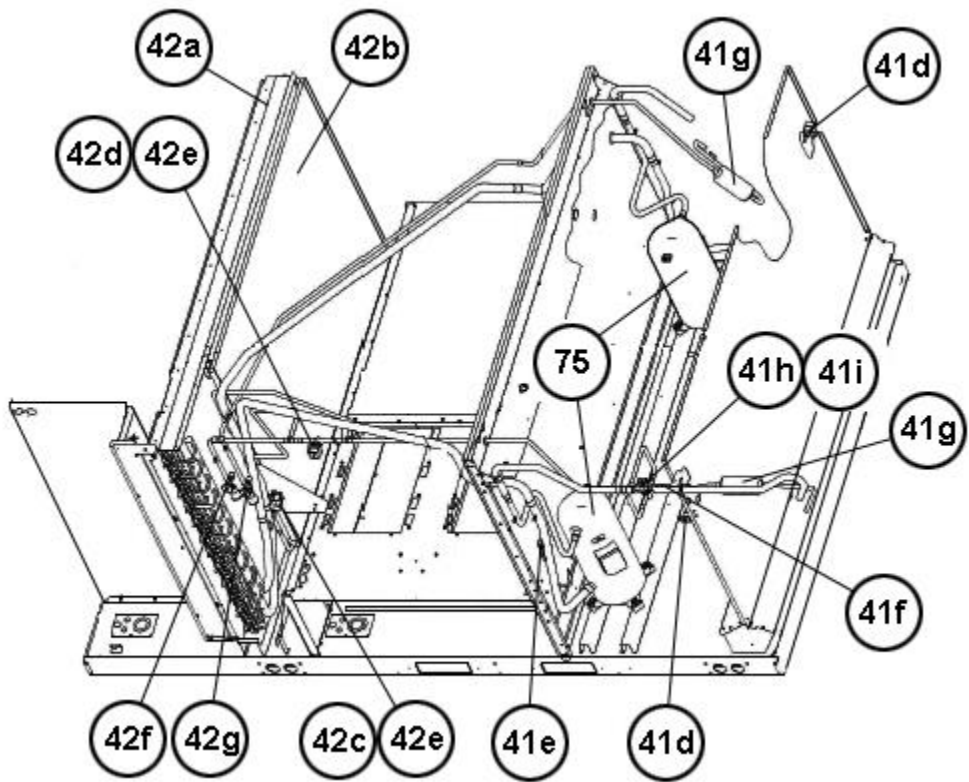
Blower Assembly 180-300



Control Box 180-300



Electric Heat Block-Off 180-300



Reheat Circuit Assembly 180-300

NOTES

Stk It is recommended that stock be maintained for this part.

N/A Not Applicable

- 1 Temperature Sensors, Discharge Air Temperature and Return Air Temperature (DAT and RAT), are integral with the wiring harness and are not individually replacable.

DISCLAIMER: This document is intended to provide general replacement parts information to aid qualified service personnel in the repair of these models. The complete Model and Serial Number of the unit under repair should be specified when selecting and ordering replacement parts. Specifications and illustrations are subject to change without notice. Document 92-42800-RLNL-G supersedes all previous parts lists for these models. See <http://www.rheempartslists.net/92-42800-RLNL-G> for the latest revision of this document. The manufacturer assumes no obligation for errors or omissions. Service personnel must verify the proper and safe operation of equipment after the replacement of any original components.