

RLNL-C

Parts List
22-May-2019



*This parts list is current as of the above revision date.
See <http://www.rheempartslists.net/92-42800-RLNL-C.pdf> for the current revision.*

Package Air Conditioners - Commercial

Table of Contents

Model Explanation.....	Page 3
Parts Numbers	
Panels - MSCGSG 036-060.....	Page 4
Panels - MSCGSG 072-151 (1).....	Page 5
Panels - MSCGSG 072-151 (2).....	Page 6
Panels - MSCGSG 180-300 (1).....	Page 7
Panels - MSCGSG 180-300 (2).....	Page 8
Panels - MSCNG 036-060.....	Page 9
Panels - MSCNG 072-151 (1).....	Page 10
Panels - MSCNG 072-151 (2).....	Page 11
Panels - MSCNG 180-300 (1).....	Page 12
Panels - MSCNG 180-300 (2).....	Page 13
ELG 036-060.....	Page 14
ELG 072-073.....	Page 15
ELG 085.....	Page 16
ELG 090-102.....	Page 17
ELG 120-150.....	Page 18
ELG 151.....	Page 19
ELG 180-300 (1).....	Page 20
ELG 180-300 (2).....	Page 21
FG 036-060.....	Page 22
FG 072-102.....	Page 23
FG 120-151.....	Page 24
FG 180-300.....	Page 25
BG 036-048.....	Page 26
BG 060.....	Page 27
BG 072-102.....	Page 28
BG 120-151.....	Page 29
BG 180-300.....	Page 30
CPG 036-060.....	Page 31
CPG 072-090.....	Page 32
CPG 102-151.....	Page 33
CPG 180-300 Gray.....	Page 34
CPG 180-300 Green.....	Page 35
CMP 036-060.....	Page 36
CMP 072-151.....	Page 37
CMP 180-300.....	Page 38
HKG.....	Page 39
ACG 036-151.....	Page 40
ACG 180-300.....	Page 41
Drawings/Photographs	
Exploded View 036-060.....	Page 42
Top Panel View 036-060.....	Page 43
Control Box 036-060.....	Page 44
Blower Assembly 036-060.....	Page 45
Blower Motor Mount Assembly 036-060.....	Page 46
Coil Group Cut-away View 036-060.....	Page 47
Evaporator Coil - Filter Parts 036-060.....	Page 47
Evaporator Coil Parts 036-060.....	Page 48
Compressor - Refrigeration Group 036-060.....	Page 49
TXV Identification Guide.....	Page 50
Exploded View 072-151.....	Page 51
Exterior - Front 072-151.....	Page 52
Exterior - Back 072-151.....	Page 52
Filter-Coil Assembly 072-151.....	Page 53
Condenser Coil Assembly 072-151.....	Page 53
Front Panel Brackets 072-151.....	Page 54
Filter Frame Assembly 072-151.....	Page 55
Blower Assembly 072-151.....	Page 55
Control Box 072-151.....	Page 56
Low Voltage Shields 072-151.....	Page 57
Exterior - Front 180-300.....	Page 58
Exterior - Rear 180-300.....	Page 58
Base Pan Assembly 180-300.....	Page 59
Base Rail Assembly 180-300.....	Page 59
Front Panel Brackets 180-300.....	Page 60
Interior - Coil 180-300.....	Page 60
Heat Compartment 180-300.....	Page 61
Condenser Bulkhead 180-300.....	Page 61
Filter Frame Assembly 180-300.....	Page 62
Blower Assembly 180-300.....	Page 62
Control Box 180-300.....	Page 63
Electric Heat Block-Off 180-300.....	Page 64
Notes/Disclaimer.....	Page 65

MODEL NUMBER EXPLANATION

R	L	N	L	-	C	090	C	L	000	AA	B
1	2	3	4		5	6	7	8	9	10	11

- | | | |
|---|---|---|
| <p>1 TRADE NAME</p> <p>2 L = PACKAGE AIR CONDITIONER
Commercial</p> <p>3 EFFICIENCY DESIGNATION
N = High Efficiency (EnergyStar Compliant)</p> <p>4 DESIGN SERIES
L = R-410A</p> <p>5 TECHNICAL VARIATION</p> <p>6 COOLING CAPACITY (BTUH)
036 = 36,000
042 = 42,000
048 = 48,000
060 = 60,000
072/073 = 72,000
085 = 85,000
090 = 90,000
102 = 102,000
120 = 120,000
150 = 150,000
151 = 150,000
180 = 180,000
210 = 210,000
240/241 = 240,000
300 = 300,000</p> <p>7 ELECTRICAL DESIGNATION
C = 208-230/3/60
D = 460/3/60
Y = 575/3/60</p> | <p>8</p> <p>9</p> <p>10</p> <p>11</p> | <p>DRIVE PACKAGE
L = Belt Drive
M = Belt Drive - High Static
N = Belt Drive - RLNL-B090 Only</p> <p>ELECTRIC HEAT- (Resistance Heat)
000 = No Resistance Heat
010 = 10 kW Resistance Heat
015 = 15 kW Resistance Heat
020 = 20 kW Resistance Heat
030 = 30 kW Resistance Heat
040 = 40 kW Resistance Heat
050 = 50 kW Resistance Heat</p> <p>OPTION CODES
AA = No Options</p> <p>ECONOMIZER OPTIONS
A = No Economizer
B = Single Enthalpy Economizer
with Barometric Relief</p> |
|---|---|---|

SERIAL NUMBER EXPLANATION

1234	F	50	08	00001
1	2	3	4	5

- | | |
|---|---|
| <p>1</p> <p>2</p> <p>3</p> <p>4</p> <p>5</p> | <p>COMPRESSOR IDENTIFICATION NUMBER</p> <p>PRODUCTION LOCATION:</p> <p>WEEK OF PRODUCTION</p> <p>YEAR OF PRODUCTION</p> <p>PRODUCTION NUMBER</p> |
|---|---|

No.	Notes	MODEL TECHNICAL VARIATIONS COOLING CAPACITY	RLNL- C 036-060
PANELS, MISCELLANEOUS PARTS (Granite/Steel Gray, After F4411)			
1		Base Rail - Side (2)	AE-58900-01
2		Base Rail - Condenser End	AE-58901-01
3		Base Rail - Evaporator End	AE-58902-01
4		Outdoor Coil Base Pan	AS-59051-01H
5		Indoor Coil Base Pan	AS-58910-05
6		Condenser Bulkhead	AS-103276-02
7		Blower Bulkhead Assembly (Does not include Blower Extensions, Cover Plate, Insulation Retainer)	AS-103385-01
8		Blower Extension - Front	AE-58928-01
9		Blower Extension - Back	AE-58928-02
		Cover Plate (On the Blower Extension - Front to cover the Limit Control opening)	AE-76216-01
		Insulation Retainer	AE-59059-01
10		Wire Chase Insulation Assembly	AS-103291-01
11a		Corner Post (2)	AS-58965-01H
11b		Center Post	AS-58966-01H
13		Louvered Panel	AS-59028-01H
14		Louvered Panel	AS-59028-03H
15		Louvered Panel	AS-59028-02H
16		Return/Supply Cover Assembly	AS-58992-01H
17		Rear Panel (Includes Insulation, Filler Panel, and Stripping)	AS-58976-01H
18		Filler Panel - (Return Air Filler)	AE-58974-01
		Filler Panel Stripping	AE-58897-10
19		Blower/Filter Access Panels (2)	AS-58990-01H
20		Post - Left End	AS-58973-01H
21		Front Panel Assembly	AS-59132-01H
22		Electric Heat Access Panel Assembly	AS-58987-04H
23		Control Box Access Door	AS-103284-01 H
24a		Control Box Insert Panel	AS-103283-01 H
24b		Disconnect Plate	AS-90756-05H
24c		Receptacle Plate	AS-90756-02H
25		Front Post	AS-103288-01 H
26		Indoor Coil Top Panel Assembly	AS-58979-01H
27a		Condenser Top Panel	AS-58981-01H
27b		Support - Condenser Top Panel	AE-58980-01
29		Wire Grille	95-101660-01
31		Control Box (w/o components)	AS-103281-01

No.	Notes	MODEL TECHNICAL VARIATION COOLING CAPACITY	RLNL- C 072	RLNL- C 073	RLNL- C 090	RLNL- C 102	RLNL- C 120	RLNL- C 150/151
PANELS - RAILS, BASE PANS, INSIDE CABINET (Granite/Steel Gray, After F4411)								
BASE RAILS:								
A		Base Rail - Front	AE-90575-15	AE-90575-15	AE-90575-15	AE-90575-15	AE-90575-15	AE-90575-15
B		Base Rail - Right	AE-90576-03	AE-90576-03	AE-90576-03	AE-90576-03	AE-90576-03	AE-90576-03
C		Base Rail - Rear	AE-90575-04	AE-90575-04	AE-90575-04	AE-90575-04	AE-90575-04	AE-90575-04
D		Base Rail - Left	AE-90576-04	AE-90576-04	AE-90576-04	AE-90576-04	AE-90576-04	AE-90576-04
BASE PANS:								
E		Outdoor Coil Base Pan	AS-90583-03H	AS-90583-03H	AS-90583-05H	AS-90583-05H	AS-90583-05H	AS-90577-14H
F		Indoor Coil Base Pan	AS-90577-12	AS-90577-12	AS-90577-12	AS-90577-12	AS-90577-12	AS-90577-12
INSIDE CABINET:								
G		Entry Plate	AE-90614-02	AE-90614-02	AE-90614-02	AE-90614-02	AE-90614-02	AE-90614-02
H		Entry Plate	AE-90614-01	AE-90614-01	AE-90614-01	AE-90614-01	AE-90614-01	AE-90614-01
J		Heat Compartment Side	AE-90598-09	AE-90598-09	AE-90598-09	AE-90598-09	AE-90598-09	AE-90598-09
K		Blower Deck	AS-90592-12	AS-90592-13	AS-90592-13	AS-90592-13	AS-90592-13	AS-90592-13
L		Wireway	AE-90718-05	AE-90718-05	AE-90718-05	AE-90718-05	AE-90718-05	AE-90718-05
M		Condenser Bulkhead	AS-90609-22	AS-90609-21	AS-90609-18	AS-90609-18	AS-90609-18	AS-90609-23

No.	Notes	MODEL TECHNICAL VARIATION COOLING CAPACITY	RLNL- C 072	RLNL- C 073	RLNL- C 090	RLNL- C 102	RLNL- C 120	RLNL- C 150/151
PANELS - FRONT (Granite/Steel Gray, F4411)								
1		Control Box Door Assembly - w/Hinges, Latch, Gasket, Insulation	AS-102872-14H	AS-102872-14H	AS-102872-14H	AS-102872-14H	AS-102872-14H	AS-102872-14H
2a		Bracket - Top Panel (Left)	AS-102859-16H	AS-102859-16H	AS-102859-16H	AS-102859-16H	AS-102859-16H	AS-102859-16H
2b		Bracket - Top Panel (Center)	AS-102859-15H	AS-102859-15H	AS-102859-15H	AS-102859-15H	AS-102859-15H	AS-102859-15H
2c		Post - Blower Section	AS-102682-12H	AS-102682-12H	AS-102682-12H	AS-102682-12H	AS-102682-12H	AS-102682-12H
3a		Bracket - Bottom Panel (Left)	AS-102859-17H	AS-102859-17H	AS-102859-17H	AS-102859-17H	AS-102859-17H	AS-102859-17H
3b		Bracket - Blower/Heater Compartment	AS-102859-14H	AS-102859-14H	AS-102859-14H	AS-102859-14H	AS-102859-14H	AS-102859-14H
3c		Bracket - Bottom Panel (Right)	AS-102859-13H	AS-102859-13H	AS-102859-13H	AS-102859-13H	AS-102859-13H	AS-102859-13H
		Latch Assembly - Control Box Door (2)	64-102855-01	64-102855-01	64-102855-01	64-102855-01	64-102855-01	64-102855-01
4		Post Assembly - Indoor Coil Section	AS-90620-18H	AS-90620-18H	AS-90620-17H	AS-90620-17H	AS-90620-17H	AS-90620-17H
5		Control Box Cover	AE-90713-02	AE-90713-02	AE-90713-02	AE-90713-02	AE-90713-02	AE-90713-02
6		Control Mounting Plate	AE-90712-06	AE-90712-06	AE-90712-06	AE-90712-06	AE-90712-06	AE-90712-06
7a		Low Voltage Shield (Before F3512) - Upper Straight	AE-90742-08	AE-90742-08	AE-90742-08	AE-90742-08	AE-90742-08	AE-90742-08
7a		Low Voltage Shield (After F3512) - Upper Angled	AE-90742-12	AE-90742-12	AE-90742-12	AE-90742-12	AE-90742-12	AE-90742-12
7b		Low Voltage Shield (Before F3512) - Lower	AE-90742-03	AE-90742-03	AE-90742-03	AE-90742-03	AE-90742-03	AE-90742-03
7b		Low Voltage Shield (After F3512) - Lower	AE-90742-11	AE-90742-11	AE-90742-11	AE-90742-11	AE-90742-11	AE-90742-11
7c		Low Voltage Shield - Middle Strip	AE-90742-09	AE-90742-09	AE-90742-09	AE-90742-09	AE-90742-09	AE-90742-09
8		Control Box Back Insulation Assembly	AS-90601-06	AS-90601-06	AS-90601-06	AS-90601-06	AS-90601-06	AS-90601-06
9		Mounting Bracket	AE-90779-02	AE-90779-02	AE-90779-02	AE-90779-02	AE-90779-02	AE-90779-02
10		Electric Heat Blockoff Plate Assembly (models with no heat)	AS-90720-02	AS-90720-02	AS-90720-02	AS-90720-02	AS-90720-02	AS-90720-02
11		Terminal Block	See Electrical Group					
12		Electric Heat Access Panel Assembly - w/Hinges, Latch, Gasket, Insulation	AS-102872-18H	AS-102872-18H	AS-102872-18H	AS-102872-18H	AS-102872-18H	AS-102872-18H
		Latch Assembly - Electric Heat Door (2)	64-102855-01	64-102855-01	64-102855-01	64-102855-01	64-102855-01	64-102855-01
13		Power Entry Plate Assembly	AS-90774-11H	AS-90774-11H	AS-90774-11H	AS-90774-11H	AS-90774-11H	AS-90774-11H
14		Blower Access Panel Assembly - w/Hinges, Latch, Gasket, Insulation	AS-102872-16H	AS-102872-16H	AS-102872-16H	AS-102872-16H	AS-102872-16H	AS-102872-16H
		Latch Assembly - Blower Access Panel (3)	64-102855-01	64-102855-01	64-102855-01	64-102855-01	64-102855-01	64-102855-01
16		Heat Mounting Frame Assembly	AS-90754-02	AS-90754-02	AS-90754-02	AS-90754-02	AS-90754-02	AS-90754-02
17		Condenser Coil Access Panel-Front	AS-90631-10H	AS-90631-10H	AS-90631-09H	AS-90631-09H	AS-90631-09H	AS-90631-11H
18		Front Corner Post	AS-90701-06H	AS-90701-06H	AS-90701-06H	AS-90701-06H	AS-90701-06H	AS-90701-05H

No.	Notes	MODEL TECHNICAL VARIATION COOLING CAPACITY	RLNL- C 072	RLNL- C 073	RLNL- C 090	RLNL- C 102	RLNL- C 120	RLNL- C 150/151	
PANELS - RIGHT, REAR AND LEFT SIDES (Granite/Steel Gray, After F4411)									
RIGHT:									
19		Air Stop	N/A	N/A	N/A	N/A	N/A	N/A	
20		Louver Panel Assembly	AS-90789-01H	AS-90789-01H	AS-90789-01H	AS-90789-01H	AS-90789-01H	AS-90789-03H	
REAR:									
21		Rear Corner Post	AS-90702-03H	AS-90702-03H	AS-90702-03H	AS-90702-03H	AS-90702-03H	AS-90702-04H	
22		Condenser Coil Access Panel-Rear	AS-90631-03H	AS-90631-05H	AS-90631-05H	AS-90631-05H	AS-90631-05H	AS-90631-12H	
23		Rear Panel	AS-90618-02H	AS-90618-02H	AS-90618-02H	AS-90618-02H	AS-90618-02H	AS-90618-02H	
24		Supply Cover	AS-90626-02H	AS-90626-02H	AS-90626-02H	AS-90626-02H	AS-90626-02H	AS-90626-02H	
25		Return Cover	AS-90628-02H	AS-90628-02H	AS-90628-02H	AS-90628-02H	AS-90628-02H	AS-90628-02H	
LEFT:									
26		Upper Left Panel	AS-90624-03H	AS-90624-03H	AS-90624-03H	AS-90624-03H	AS-90624-03H	AS-90624-03H	
27		Lower Left Panel	AS-90624-04H	AS-90624-04H	AS-90624-04H	AS-90624-04H	AS-90624-04H	AS-90624-04H	
28		Left Corner Panel	AS-90755-07H	AS-90755-07H	AS-90755-07H	AS-90755-07H	AS-90755-07H	AS-90755-07H	
29		Plate - Receptacle	AS-90756-02H	AS-90756-02H	AS-90756-02H	AS-90756-02H	AS-90756-02H	AS-90756-02H	
30		Plate - Disconnect	AS-90756-03H	AS-90756-03H	AS-90756-03H	AS-90756-03H	AS-90756-03H	AS-90756-03H	
31		Button Plug (2)	45-22980-06	45-22980-06	45-22980-06	45-22980-06	45-22980-06	45-22980-06	
32		Button Plug	45-22980-05	45-22980-05	45-22980-05	45-22980-05	45-22980-05	45-22980-05	
TOP:									
33		Top Panel Assembly	AS-90616-06H	AS-90616-06H	AS-90616-06H	AS-90616-06H	AS-90616-06H	AS-90616-06H	
34		Condenser Top Panel	AS-90703-09H	AS-90703-09H	AS-90703-09H	AS-90703-09H	AS-90703-09H	AS-90703-08H	
35		Venturi	AS-90632-03H (2)	AS-90632-03H (2)	AS-90632-03H (2)	AS-90632-03H (2)	AS-90632-03H (2)	AS-90632-03H (2)	
36		Wire Grille	95-100906-09 (2)	95-100906-09 (2)	95-100906-09 (2)	95-100906-09 (2)	95-100906-09 (2)	95-100906-09 (2)	
43		Drain Pan - Removable	See Coil Group						

No.	Notes	MODEL TECHNICAL VARIATION COOLING CAPACITY	RLNL- C 180/210	RLNL- C 240	RLNL- C 241	RLNL- C 300
PANELS - RAILS, BASE PANS, INSIDE CABINET (Granite/Steel Gray, After F4411)						
BASE RAILS:						
A		Front	AS-90827-03	AS-90827-03	AS-90827-03	AS-90827-03
B		Right	AE-90576-06	AE-90576-06	AE-90576-06	AE-90576-06
C		Rear	AS-90827-04	AS-90827-04	AS-90827-04	AS-90827-04
D		Left	AE-90576-05	AE-90576-05	AE-90576-05	AE-90576-05
BASE PANS:						
E		Outdoor Base Pan	AS-90583-09H	AS-90583-09H	AS-90583-09H	AS-90583-09H
F		Indoor Coil Base Pan - Return Air	AS-90577-09	AS-90577-09	AS-90577-09	AS-90577-09
G		Indoor Coil Base Pan - Supply Air	AS-90577-10	AS-90577-10	AS-90577-10	AS-90577-10
INSIDE CABINET PANEL/PIECES:						
H 1		Entry Plate	AE-90614-01	AE-90614-01	AE-90614-01	AE-90614-01
H 2		Entry Plate - Rooftop	AE-90614-02	AE-90614-02	AE-90614-02	AE-90614-02
I		Post - Blower Section	AS-102682-07H	AS-102682-07H	AS-102682-07H	AS-102682-07H
J		Heat Compartment Side	AE-90598-08	AE-90598-08	AE-90598-08	AE-90598-08
K		Blower Deck Assembly	AS-90592-11	AS-90592-11	AS-90592-11	AS-90592-11
L		Wireway	AE-90718-04	AE-90718-04	AE-90718-04	AE-90718-04
M		Condenser Bulkhead	AS-90609-17	AS-90609-17	AS-90609-17	AS-90609-17
N		Divider Panel - Between Coils	AE-90735-05	AE-90735-05	AE-90735-05	AE-90735-05
O		Bulkhead Support	AE-102725-01	AE-102725-01	AE-102725-01	AE-102725-01
P		Primary Drain Pan	AS-103030-02	AS-103030-02	AS-103030-02	AS-103030-02
		Air Stop - Outdoor Coil- Front	AE-90706-13	AE-90706-13	AE-90706-13	AE-90706-13
		Air Stop - Outdoor Coil- Rear	AE-90706-12	AE-90706-12	AE-90706-12	AE-90706-12
U		Coil Support Top	AE-102700-03	AE-102700-03	AE-102700-03	AE-102700-03

No.	Notes	MODEL TECHNICAL VARIATION COOLING CAPACITY	RLNL- C 180/210	RLNL- C 240	RLNL- C 241	RLNL- C 300
PANELS - FRONT AND RIGHT SIDES (Granite/Steel Gray, After F4411)						
1		Control Box Door Assembly - w/Hinges, Latch, Gasket, Insulation	AS-102872-04H	AS-102872-04H	AS-102872-04HT	AS-102872-04H
2a		Bracket - Top Panel (Left)	AS-102859-01H	AS-102859-01H	AE-102859-01HT	AS-102859-01H
2b		Bracket - Top Panel (Center)	AS-102969-01H	AS-102969-01H	AS-102969-01HT	AS-102969-01H
2c		Post - Blower Section	AS-102682-07H	AS-102682-07H	AE-102682-07HT	AS-102682-07H
3a		Bracket - Bottom Panel (Left)	AS-102859-02H	AS-102859-02H	AE-102859-02HT	AS-102859-02H
3b		Bracket - Blower/Heater Compartment	AS-102859-11H	AS-102859-11H	AE-102859-11HT	AS-102859-11H
3c		Bracket - Bottom Panel (Right)	AS-102859-12H	AS-102859-12H	AE-102859-12HT	AS-102859-12H
4		Post Assembly - Indoor Coil Section	AS-90620-15H	AS-90620-15H	AS-90620-15HT	AS-90620-15H
5		Control Box Cover	AE-90713-05	AE-90713-05	AE-90713-05	AE-90713-05
6		Control Mounting Panel	AE-90712-05	AE-90712-05	AE-90712-05	AE-90712-05
7a		Low Voltage Shield - Control Box (Upper Right)	AE-90742-07	AE-90742-07	AE-90742-07	AE-90742-07
7b		Low Voltage Shield - Control Box (Lower Left)	AE-90742-06	AE-90742-06	AE-90742-06	AE-90742-06
7c		Thermostat Chase Cover	AE-102722-01	AE-102722-01	AE-102722-01	AE-102722-01
8		Control Box Back	AS-90601-05	AS-90601-05	AS-90601-05	AS-90601-05
9		Mounting Bracket	AE-90779-02	AE-90779-02	AE-90779-02	AE-90779-02
10		Electric Heat Blockoff Plate Assembly (models with no heat)	AS-90720-03	AS-90720-03	AS-90720-03	AS-90720-03
11		Terminal Block - Heat Compartment	See Electrical Group			
12		Electric Heat Access Panel Assembly - w/Hinges, Latch, Gasket, Insulation	AS-102872-06H	AS-102872-06H	AS-102872-06HT	AS-102872-06H
13		Power Entry Plate Assembly	AS-90774-13H	AS-90774-13H	AS-90774-13HT	AS-90774-13H
14		Blower Access Panel Assembly - w/Hinges, Latch, Gasket, Insulation	AS-102872-02H	AS-102872-02H	AS-102872-02HT	AS-102872-02H
15		Ground Lug - Heat Compartment	See Electrical Group			
16		Mounting Frame - Heat Exchanger Frame	AS-90754-04	AS-90754-04	AS-90754-04	AS-90754-04
17		Condenser Coil Access Panel-Front	AS-90734-08H	AS-90734-08H	AE-90734-20HT	AS-90734-08H
38c		Post - Outdoor Coil (Front)	See Coil Group			
39c		Post - Outdoor Coil (Rear)	See Coil Group			
		Louver Panel (Hail Guard) - Left	AS-90789-10H	AS-90789-10H	AS-90789-10H	AS-90789-10H
		Louver Panel (Hail Guard) - Right	AS-90789-09H	AS-90789-09H	AS-90789-09H	AS-90789-09H

No.	Notes	MODEL TECHNICAL VARIATION COOLING CAPACITY	RLNL- C 180/210	RLNL- C 240	RLNL- C 241	RLNL- C 300
PANELS - REAR, LEFT, AND TOP (Granite/Steel Gray, After F4411)						
REAR:						
22		Condenser Coil Access Panel-Rear	AS-90734-09H	AS-90734-09H	AE-90734-21HT	AS-90734-09H
23		Rear Panel - Right	AS-90618-08H	AS-90618-08H	AS-90618-08HT	AS-90618-08H
24		Supply Cover	AS-90628-03H	AS-90628-03H	AS-90628-03HT	AS-90628-03H
25		Return Cover	AS-90628-04H	AS-90628-04H	AS-90628-04HT	AS-90628-04H
LEFT:						
26		Upper Left Panel	AS-90624-09H	AS-90624-09H	AS-90624-09HT	AS-90624-09H
27		Lower Left Panel	AS-90624-08H	AS-90624-08H	AS-90624-08HT	AS-90624-08H
28		Left Corner Panel Assembly	AS-90755-05H	AS-90755-05H	AS-90755-05HT	AS-90755-05H
		Bracket - Left Corner Panel Assembly (2)	AE-90779-01	AE-90779-01	AE-90779-01	AE-90779-01
		Gasket for receptacle plate	68-42514-08	68-42514-08	68-42514-08	68-42514-08
		Gasket for disconnect plate	68-42514-09	68-42514-09	68-42514-09	68-42514-09
29		Plate - Install inside Panel-Receptacle	AS-90756-02H	AS-90756-02H	AE-90756-02HT	AS-90756-02H
30		Plate - Install inside Panel-Disconnect	AS-90756-03H	AS-90756-03H	AE-90756-03HT	AS-90756-03H
31		Button Plug (3)	45-42558-01	45-42558-01	45-42558-01	45-42558-01
32		Star Bushing (3)	45-18515-01	45-18515-01	45-18515-01	45-18515-01
TOP:						
33a		Top Panel Assembly - Right	AS-90616-04H	AS-90616-04H	AS-90616-04HT	AS-90616-04H
33b		Top Panel Assembly - Left	AS-90616-05H	AS-90616-05H	AS-90616-05HT	AS-90616-05H
34a		Top Panel - Front	AS-90633-10H	AS-90633-10H	AE-90633-10HT	AS-90633-10H
34b		Top Panel - Middle	AS-90633-12H	AS-90633-11H	AE-90633-11HT	AS-90633-11H
34c		Top Panel - Rear	AS-90633-09H	AS-90633-09H	AE-90633-09HT	AS-90633-09H
35		Venturi	AS-90632-03H (4)	AS-90632-03H (4)	AE-90632-03HT (6)	AS-90632-03H (4)
36		Wire Grille	95-100906-09 (4)	95-100906-09 (6)	95-100906-09 (6)	95-100906-09 (6)
43		Drain Pan - Removable	See Coil Group			

No.	Notes	MODEL TECHNICAL VARIATIONS COOLING CAPACITY	RLNL- C 036-060
PANELS, MISCELLANEOUS PARTS (Neutra Green, Before F4411)			
1		Base Rail - Side (2)	AE-58900-01
2		Base Rail - Condenser End	AE-58901-01
3		Base Rail - Evaporator End	AE-58902-01
4		Outdoor Coil Base Pan	AS-59051-01A
5		Indoor Coil Base Pan	AS-58910-05
6		Condenser Bulkhead	AS-103276-02
7		Blower Bulkhead Assembly (Does not include Blower Extensions, Cover Plate, Insulation Retainer)	AS-103385-01
8		Blower Extension - Front	AE-58928-01
9		Blower Extension - Back	AE-58928-02
		Cover Plate (On the Blower Extension - Front to cover the Limit Control opening)	AE-76216-01
		Insulation Retainer	AE-59059-01
10		Wire Chase Insulation Assembly	AS-103291-01
11a		Corner Post (2)	AS-58965-01A
11b		Center Post	AS-58966-01A
13		Louvered Panel	AS-59028-01A
14		Louvered Panel	AS-59028-03A
15		Louvered Panel	AS-59028-02A
16		Return/Supply Cover Assembly	AS-58992-01A
17		Rear Panel (Includes Insulation, Filler Panel, and Stripping)	AS-58976-01A
18		Filler Panel - (Return Air Filler)	AE-58974-01
		Filler Panel Stripping	AE-58897-10
19		Blower/Filter Access Panels (2)	AS-58990-01A
20		Post - Left End	AS-58973-01A
21		Front Panel Assembly	AS-59132-01A
22		Electric Heat Access Panel Assembly	AS-58987-04A
23		Control Box Access Door	AS-103284-01 A
24a		Control Box Insert Panel	AS-103283-01 A
24b		Disconnect Plate	AS-90756-05A
24c		Receptacle Plate	AS-90756-02A
25		Front Post	AS-103288-01 A
26		Indoor Coil Top Panel Assembly	AS-58979-01A
27a		Condenser Top Panel	AS-58981-01A
27b		Support - Condenser Top Panel	AE-58980-01
29		Wire Grille	95-101660-01
31		Control Box (w/o components)	AS-103281-01

No.	Notes	MODEL TECHNICAL VARIATION COOLING CAPACITY	RLNL- C 072	RLNL- C 085	RLNL- C 090	RLNL- C 102	RLNL- C 120	RLNL- C 150/151
PANELS - RAILS, BASE PANS, INSIDE CABINET (Neutra Green, Before F4411)								
BASE RAILS:								
A		Base Rail - Front	AE-90575-15	AE-90575-15	AE-90575-15	AE-90575-15	AE-90575-15	AE-90575-15
B		Base Rail - Right	AE-90576-03	AE-90576-03	AE-90576-03	AE-90576-03	AE-90576-03	AE-90576-03
C		Base Rail - Rear	AE-90575-04	AE-90575-04	AE-90575-04	AE-90575-04	AE-90575-04	AE-90575-04
D		Base Rail - Left	AE-90576-04	AE-90576-04	AE-90576-04	AE-90576-04	AE-90576-04	AE-90576-04
BASE PANS:								
E		Outdoor Coil Base Pan	AS-90583-03A	AS-90583-05A	AS-90583-05A	AS-90583-05A	AS-90583-05A	AS-90577-14A
F		Indoor Coil Base Pan	AS-90577-12	AS-90577-12	AS-90577-12	AS-90577-12	AS-90577-12	AS-90577-12
INSIDE CABINET:								
G		Entry Plate	AE-90614-02	AE-90614-02	AE-90614-02	AE-90614-02	AE-90614-02	AE-90614-02
H		Entry Plate	AE-90614-01	AE-90614-01	AE-90614-01	AE-90614-01	AE-90614-01	AE-90614-01
J		Heat Compartment Side	AE-90598-09	AE-90598-09	AE-90598-09	AE-90598-09	AE-90598-09	AE-90598-09
K		Blower Deck	AS-90592-12	AS-90592-13	AS-90592-13	AS-90592-13	AS-90592-13	AS-90592-13
L		Wireway	AE-90718-05	AE-90718-05	AE-90718-05	AE-90718-05	AE-90718-05	AE-90718-05
M		Condenser Bulkhead	AS-90609-22	AS-90609-21	AS-90609-18	AS-90609-18	AS-90609-18	AS-90609-23

No.	Notes	MODEL TECHNICAL VARIATION COOLING CAPACITY	RLNL- C 072	RLNL- C 085	RLNL- C 090	RLNL- C 102	RLNL- C 120	RLNL- C 150/151
PANELS - FRONT (Neutra Green, Before F4411)								
1		Control Box Door Assembly - w/Hinges, Latch, Gasket, Insulation	AS-102872-14A	AS-102872-14A	AS-102872-14A	AS-102872-14A	AS-102872-14A	AS-102872-14A
2a		Bracket - Top Panel (Left)	AS-102859-16A	AS-102859-16A	AS-102859-16A	AS-102859-16A	AS-102859-16A	AS-102859-16A
2b		Bracket - Top Panel (Center)	AS-102859-15A	AS-102859-15A	AS-102859-15A	AS-102859-15A	AS-102859-15A	AS-102859-15A
2c		Post - Blower Section	AS-102682-12A	AS-102682-12A	AS-102682-12A	AS-102682-12A	AS-102682-12A	AS-102682-12A
3a		Bracket - Bottom Panel (Left)	AS-102859-17A	AS-102859-17A	AS-102859-17A	AS-102859-17A	AS-102859-17A	AS-102859-17A
3b		Bracket - Blower/Heater Compartment	AS-102859-14A	AS-102859-14A	AS-102859-14A	AS-102859-14A	AS-102859-14A	AS-102859-14A
3c		Bracket - Bottom Panel (Right)	AS-102859-13A	AS-102859-13A	AS-102859-13A	AS-102859-13A	AS-102859-13A	AS-102859-13A
		Latch Assembly - Control Box Door (2)	64-102855-01	64-102855-01	64-102855-01	64-102855-01	64-102855-01	64-102855-01
4		Post Assembly - Indoor Coil Section	AS-90620-18A	AS-90620-18A	AS-90620-17A	AS-90620-17A	AS-90620-17A	AS-90620-17A
5		Control Box Cover	AE-90713-02	AE-90713-02	AE-90713-02	AE-90713-02	AE-90713-02	AE-90713-02
6		Control Mounting Plate	AE-90712-06	AE-90712-06	AE-90712-06	AE-90712-06	AE-90712-06	AE-90712-06
7a		Low Voltage Shield (Before F3512) - Upper Straight	AE-90742-08	AE-90742-08	AE-90742-08	AE-90742-08	AE-90742-08	AE-90742-08
7b		Low Voltage Shield (Before F3512) - Lower	AE-90742-03	AE-90742-03	AE-90742-03	AE-90742-03	AE-90742-03	AE-90742-03
7c		Low Voltage Shield - Middle Strip	AE-90742-09	AE-90742-09	AE-90742-09	AE-90742-09	AE-90742-09	AE-90742-09
8		Control Box Back Insulation Assembly	AS-90601-06	AS-90601-06	AS-90601-06	AS-90601-06	AS-90601-06	AS-90601-06
9		Mounting Bracket	AE-90779-02	AE-90779-02	AE-90779-02	AE-90779-02	AE-90779-02	AE-90779-02
10		Electric Heat Blockoff Plate Assembly (models with no heat)	AS-90720-02	AS-90720-02	AS-90720-02	AS-90720-02	AS-90720-02	AS-90720-02
11		Terminal Block	See Electrical Group					
12		Electric Heat Access Panel Assembly - w/Hinges, Latch, Gasket, Insulation	AS-102872-18A	AS-102872-18A	AS-102872-18A	AS-102872-18A	AS-102872-18A	AS-102872-18A
		Latch Assembly - Electric Heat Door (2)	64-102855-01	64-102855-01	64-102855-01	64-102855-01	64-102855-01	64-102855-01
13		Power Entry Plate Assembly	AS-90774-11A	AS-90774-11A	AS-90774-11A	AS-90774-11A	AS-90774-11A	AS-90774-11A
14		Blower Access Panel Assembly - w/Hinges, Latch, Gasket, Insulation	AS-102872-16A	AS-102872-16A	AS-102872-16A	AS-102872-16A	AS-102872-16A	AS-102872-16A
		Latch Assembly - Blower Access Panel (3)	64-102855-01	64-102855-01	64-102855-01	64-102855-01	64-102855-01	64-102855-01
16		Heat Mounting Frame Assembly	AS-90754-02	AS-90754-02	AS-90754-02	AS-90754-02	AS-90754-02	AS-90754-02
17		Condenser Coil Access Panel-Front	AS-90631-10A	AS-90631-09A	AS-90631-09A	AS-90631-09A	AS-90631-09A	AS-90631-11A
18		Front Corner Post	AS-90701-06A	AS-90701-06A	AS-90701-06A	AS-90701-06A	AS-90701-06A	AS-90701-05A

No.	Notes	MODEL TECHNICAL VARIATION COOLING CAPACITY	RLNL- C 072	RLNL- C 085	RLNL- C 090	RLNL- C 102	RLNL- C 120	RLNL- C 150/151	
PANELS - RIGHT, REAR AND LEFT SIDES (Neutra Green, Before F4411)									
RIGHT:									
19		Air Stop	N/A	N/A	N/A	N/A	N/A	N/A	
20		Louver Panel Assembly	AS-90789-01A	AS-90789-01A	AS-90789-01A	AS-90789-01A	AS-90789-01A	AS-90789-03A	
REAR:									
21		Rear Corner Post	AS-90702-03A	AS-90702-03A	AS-90702-03A	AS-90702-03A	AS-90702-03A	AS-90702-04A	
22		Condenser Coil Access Panel-Rear	AS-90631-03A	AS-90631-05A	AS-90631-05A	AS-90631-05A	AS-90631-05A	AS-90631-12A	
23		Rear Panel	AS-90618-02A	AS-90618-02A	AS-90618-02A	AS-90618-02A	AS-90618-02A	AS-90618-02A	
24		Supply Cover	AS-90626-02A	AS-90626-02A	AS-90626-02A	AS-90626-02A	AS-90626-02A	AS-90626-02A	
25		Return Cover	AS-90628-02A	AS-90628-02A	AS-90628-02A	AS-90628-02A	AS-90628-02A	AS-90628-02A	
LEFT:									
26		Upper Left Panel	AS-90624-03A	AS-90624-03A	AS-90624-03A	AS-90624-03A	AS-90624-03A	AS-90624-03A	
27		Lower Left Panel	AS-90624-04A	AS-90624-04A	AS-90624-04A	AS-90624-04A	AS-90624-04A	AS-90624-04A	
28		Left Corner Panel	AS-90755-07A	AS-90755-07A	AS-90755-07A	AS-90755-07A	AS-90755-07A	AS-90755-07A	
29		Plate - Receptacle	AS-90756-02A	AS-90756-02A	AS-90756-02A	AS-90756-02A	AS-90756-02A	AS-90756-02A	
30		Plate - Disconnect	AS-90756-03A	AS-90756-03A	AS-90756-03A	AS-90756-03A	AS-90756-03A	AS-90756-03A	
31		Button Plug (2)	45-22980-06	45-22980-06	45-22980-06	45-22980-06	45-22980-06	45-22980-06	
32		Button Plug	45-22980-05	45-22980-05	45-22980-05	45-22980-05	45-22980-05	45-22980-05	
TOP:									
33		Top Panel Assembly	AS-90616-06A	AS-90616-06A	AS-90616-06A	AS-90616-06A	AS-90616-06A	AS-90616-06A	
34		Condenser Top Panel	AS-90703-09A	AS-90703-09A	AS-90703-09A	AS-90703-09A	AS-90703-09A	AS-90703-08A	
35		Venturi	AS-90632-03A (2)	AS-90632-03A (2)	AS-90632-03A (2)	AS-90632-03A (2)	AS-90632-03A (2)	AS-90632-03A (2)	
36		Wire Grille	95-100906-09 (2)	95-100906-09 (2)	95-100906-09 (2)	95-100906-09 (2)	95-100906-09 (2)	95-100906-09 (2)	
43		Drain Pan - Removable	See Coil Group						

No.	Notes	MODEL TECHNICAL VARIATION COOLING CAPACITY	RLNL- C 180/210	RLNL- C 240	RLNL- C 300
PANELS - RAILS, BASE PANS, INSIDE CABINET (Neutra Green, Before F4411)					
BASE RAILS:					
A		Front	AS-90827-03	AS-90827-03	AS-90827-03
B		Right	AE-90576-06	AE-90576-06	AE-90576-06
C		Rear	AS-90827-04	AS-90827-04	AS-90827-04
D		Left	AE-90576-05	AE-90576-05	AE-90576-05
BASE PANS:					
E		Outdoor Base Pan	AS-90583-09A	AS-90583-09A	AS-90583-09A
F		Indoor Coil Base Pan - Return Air	AS-90577-09	AS-90577-09	AS-90577-09
G		Indoor Coil Base Pan - Supply Air	AS-90577-10	AS-90577-10	AS-90577-10
INSIDE CABINET PANEL/PIECES:					
H 1		Entry Plate	AE-90614-01	AE-90614-01	AE-90614-01
H 2		Entry Plate - Rooftop	AE-90614-02	AE-90614-02	AE-90614-02
I		Post - Blower Section	AS-102682-07A	AS-102682-07A	AS-102682-07A
J		Heat Compartment Side	AE-90598-08	AE-90598-08	AE-90598-08
K		Blower Deck Assembly	AS-90592-11	AS-90592-11	AS-90592-11
L		Wireway	AE-90718-04	AE-90718-04	AE-90718-04
M		Condenser Bulkhead	AS-90609-17	AS-90609-17	AS-90609-17
N		Divider Panel - Between Coils	AE-90735-05	AE-90735-05	AE-90735-05
O		Bulkhead Support	AE-102725-01	AE-102725-01	AE-102725-01
P		Primary Drain Pan	AS-103030-02	AS-103030-02	AS-103030-02
		Air Stop - Outdoor Coil- Front	AE-90706-13	AE-90706-13	AE-90706-13
		Air Stop - Outdoor Coil- Rear	AE-90706-12	AE-90706-12	AE-90706-12
U		Coil Support Top	AE-102700-03	AE-102700-03	AE-102700-03

No.	Notes	MODEL TECHNICAL VARIATION COOLING CAPACITY	RLNL- C 180/210	RLNL- C 240	RLNL- C 300
PANELS - FRONT AND RIGHT SIDES (Neutra Green, Before F4411)					
1		Control Box Door Assembly - w/Hinges, Latch, Gasket, Insulation	AS-102872-04A	AS-102872-04A	AS-102872-04A
2a		Bracket - Top Panel (Left)	AS-102859-01A	AS-102859-01A	AS-102859-01A
2b		Bracket - Top Panel (Center)	AS-102969-01A	AS-102969-01A	AS-102969-01A
2c		Post - Blower Section	AS-102682-07A	AS-102682-07A	AS-102682-07A
3a		Bracket - Bottom Panel (Left)	AS-102859-02A	AS-102859-02A	AS-102859-02A
3b		Bracket - Blower/Heater Compartment	AS-102859-11A	AS-102859-11A	AS-102859-11A
3c		Bracket - Bottom Panel (Right)	AS-102859-12A	AS-102859-12A	AS-102859-12A
4		Post Assembly - Indoor Coil Section	AS-90620-15A	AS-90620-15A	AS-90620-15A
5		Control Box Cover	AE-90713-05	AE-90713-05	AE-90713-05
6		Control Mounting Panel	AE-90712-05	AE-90712-05	AE-90712-05
7a		Low Voltage Shield - Control Box (Upper Right)	AE-90742-07	AE-90742-07	AE-90742-07
7b		Low Voltage Shield - Control Box (Lower Left)	AE-90742-06	AE-90742-06	AE-90742-06
7c		Thermostat Chase Cover	AE-102722-01	AE-102722-01	AE-102722-01
8		Control Box Back	AS-90601-05	AS-90601-05	AS-90601-05
9		Mounting Bracket	AE-90779-02	AE-90779-02	AE-90779-02
10		Electric Heat Blockoff Plate Assembly (models with no heat)	AS-90720-03	AS-90720-03	AS-90720-03
11		Terminal Block - Heat Compartment	See Electrical Group		
12		Electric Heat Access Panel Assembly - w/Hinges, Latch, Gasket, Insulation	AS-102872-06A	AS-102872-06A	AS-102872-06A
13		Power Entry Plate Assembly	AS-90774-13A	AS-90774-13A	AS-90774-13A
14		Blower Access Panel Assembly - w/Hinges, Latch, Gasket, Insulation	AS-102872-02A	AS-102872-02A	AS-102872-02A
15		Ground Lug - Heat Compartment	See Electrical Group		
16		Mounting Frame - Heat Exchanger Frame	AS-90754-04	AS-90754-04	AS-90754-04
17		Condenser Coil Access Panel-Front	AS-90734-08A	AS-90734-08A	AS-90734-08A
38c		Post - Outdoor Coil (Front)	See Coil Group		
39c		Post - Outdoor Coil (Rear)	See Coil Group		

No.	Notes	MODEL TECHNICAL VARIATION COOLING CAPACITY	RLNL- C 180/210	RLNL- C 240	RLNL- C 300
PANELS - REAR, LEFT, AND TOP (Neutra Green, Before F4411)					
		REAR:			
22		Condenser Coil Access Panel-Rear	AS-90734-09A	AS-90734-09A	AS-90734-09A
23		Rear Panel - Right	AS-90618-08A	AS-90618-08A	AS-90618-08A
24		Supply Cover	AS-90628-03A	AS-90628-03A	AS-90628-03A
25		Return Cover	AS-90628-04A	AS-90628-04A	AS-90628-04A
		LEFT:			
26		Upper Left Panel	AS-90624-09A	AS-90624-09A	AS-90624-09A
27		Lower Left Panel	AS-90624-08A	AS-90624-08A	AS-90624-08A
28		Left Corner Panel Assembly	AS-90755-05A	AS-90755-05A	AS-90755-05A
		Bracket - Left Corner Panel Assembly (2)	AE-90779-01	AE-90779-01	AE-90779-01
		Gasket for receptacle plate	68-42514-08	68-42514-08	68-42514-08
		Gasket for disconnect plate	68-42514-09	68-42514-09	68-42514-09
29		Plate - Install inside Panel-Receptacle	AS-90756-02A	AS-90756-02A	AS-90756-02A
30		Plate - Install inside Panel-Disconnect	AS-90756-03A	AS-90756-03A	AS-90756-03A
31		Button Plug (3)	45-42558-01	45-42558-01	45-42558-01
32		Star Bushing (3)	45-18515-01	45-18515-01	45-18515-01
		TOP:			
33a		Top Panel Assembly - Right	AS-90616-04A	AS-90616-04A	AS-90616-04A
33b		Top Panel Assembly - Left	AS-90616-05A	AS-90616-05A	AS-90616-05A
34a		Top Panel - Front	AS-90633-10A	AS-90633-10A	AS-90633-10A
34b		Top Panel - Middle	AS-90633-12A	AS-90633-11A	AS-90633-11A
34c		Top Panel - Rear	AS-90633-09A	AS-90633-09A	AS-90633-09A
35		Venturi	AS-90632-03A (4)	AS-90632-03A (6)	AS-90632-03A (6)
36		Wire Grille	95-100906-09 (4)	95-100906-09 (6)	95-100906-09 (6)
43		Drain Pan - Removable		See Coil Group	

No.	Notes	MODEL TECHNICAL VARIATION COOLING CAPACITY ELECTRICAL DESIGNATION	RLNL- C 036-060 C	RLNL- C 036-060 D
ELECTRIC GROUP				
		Outlet Box	45-41952-02	45-41952-02
		Receptacle Cover	45-41953-02	45-41953-02
		Receptacle - Ground Fault	45-41954-01	45-41954-01
		Pressure Switch Assembly - (Clogged Filter and Fan Proving)	42-103320-26	42-103320-26
CONTROL BOX COMPONENTS:				
35	Stk	Capacitor (Fan Only)	See Fan Group	
		Strap - Capacitor	AE-50892-01	AE-50892-01
36	Stk	Comfort Alert	42-101504-03	42-101504-03
37	Stk	Blower Contactor - Belt Drive	42-102664-08	42-102664-08
38	Stk	Low Voltage Shield	AE-103285-01	AE-103285-01
39	Stk	Compressor Contactor	42-102664-08	42-102664-08
40	Stk	Transformer	46-103324-04	46-103395-05
41		Unit Controller (RTU-C)	47-102883-01	47-102883-01
		Low Ambient Control	See Accessories	
91	Stk	Low Pressure Control	47-102240-03	47-102240-03
92	Stk	High Pressure Control	47-23699-04	47-23699-04
WIRING HARNESES:				
		Wiring Harness - Twist Loc 6 Pin to (6 Pin 3 Strip Leads)	45-102819-03	45-102819-03
		Jumper - 7 Pin Connector (Unit Configuration)	45-42522-103	45-42522-103
		Wiring Harness - Economizer (8 Pin and 9 Pin) to (12 Pin, 4 Pin, 4 Connectors, and 2 Sensors) - See Note 3	45-42522-107	45-42522-107
		Wiring Harness - Compressor Control 14 Pin to (two 2 Pin Connectors and 2 Sensors) - See Note 3	45-42522-111	45-42522-111

No.	Notes	MODEL TECHNICAL VARIATION COOLING CAPACITY ELECTRICAL DESIGNATION	RLNL- C 072 C	RLNL- C 072 D	RLNL- C 072 Y	RLNL- C 073 C	RLNL- C 073 D	RLNL- C 073 Y
ELECTRIC GROUP								
11		Terminal Block	45-41669-01	45-41669-01	45-41669-01	45-41669-01	45-41669-01	45-41669-01
		Outlet Box	45-41952-02	45-41952-02	45-41952-02	45-41952-02	45-41952-02	45-41952-02
		Receptacle Cover	45-41953-02	45-41953-02	45-41953-02	45-41953-02	45-41953-02	45-41953-02
		Receptacle - Ground Fault	45-41954-01	45-41954-01	45-41954-01	45-41954-01	45-41954-01	45-41954-01
CONTROL BOX COMPONENTS:								
57	Stk	Transformer - Control	46-42515-04	46-42515-05	46-42515-05	46-42515-04	46-42515-05	46-42515-05
58a		Double Row Terminal Block	45-42548-02	45-42548-02	45-42548-02	45-42548-02	45-42548-02	45-42548-02
58b		Ground Lug	45-19000-02	45-19000-02	45-19000-02	45-19000-02	45-19000-02	45-19000-02
59	Stk	Contactor - Blower	42-102664-08	42-102664-08	42-102664-08	42-22464-01	42-102664-08	42-102664-08
		Pressure Switch Assembly - (Clogged Filter and Fan Proving)	42-103320-26	42-103320-26	42-103320-26	42-103320-26	42-103320-26	42-103320-26
60		Capacitor - Fan Motor	See Fan Group					
		High Pressure Control	See Coil Group					
		Low Pressure Control	See Coil Group					
61		Unit Controller (RTU-C)	47-102883-01	47-102883-01	47-102883-01	47-102883-01	47-102883-01	47-102883-01
62	Stk	Compressor Contactor	42-22464-01	42-22464-01	42-22464-01	42-22464-01	42-22464-01	42-22464-01
WIRING HARNESES:								
		Wiring Harness - Motor #1	See Fan Group					
		Wiring Harness - Motor #2	See Fan Group					
		Wiring Harness - 8 Pin to (4 Connectors and 2 Temperature Sensors) - See Note 3	45-42522-98	45-42522-98	45-42522-98	45-42522-98	45-42522-98	45-42522-98
		Wiring Harness - Twist-Loc (12 Pin and 4 Pin) to 9 Pin	45-42522-100	45-42522-100	45-42522-100	45-42522-100	45-42522-100	45-42522-100
		Jumper - 7 Pin Connector	45-42522-103	45-42522-103	45-42522-103	45-42522-103	45-42522-103	45-42522-103
		Wiring Harness - Compressor Control (14 Pin to Two 2 Pin Connectors and Two Temperature Sensors) - See Note 3	45-42522-106	45-42522-106	45-42522-106	45-42522-106	45-42522-106	45-42522-106
		Plug Harness - Compressor	See Compressor Group					
		Wirng Harness - Main Power	45-42522-09	45-42522-09	45-42522-09	45-42522-09	45-42522-09	45-42522-09
		Bypass Plug - Economizer 12 Pin	AS-61997-55	AS-61997-55	AS-61997-55	AS-61997-55	AS-61997-55	AS-61997-55
		Wiring Harness - 6 Pin to Heater Kit	45-102706-09	45-102706-09	45-102706-09	45-102706-09	45-102706-09	45-102706-09

No.	Notes	MODEL TECHNICAL VARIATION COOLING CAPACITY ELECTRICAL DESIGNATION	RLNL- C 085 C	RLNL- C 085 D	RLNL- C 085 Y
ELECTRIC GROUP					
11		Terminal Block	45-41669-01	45-41669-01	45-41669-01
		Outlet Box	45-41952-02	45-41952-02	45-41952-02
		Receptacle Cover	45-41953-02	45-41953-02	45-41953-02
		Receptacle - Ground Fault	45-41954-01	45-41954-01	45-41954-01
CONTROL BOX COMPONENTS:					
57	Stk	Transformer - Control	46-42515-04	46-42515-05	46-42515-05
58a		Double Row Terminal Block	45-42548-02	45-42548-02	45-42548-02
58b		Ground Lug	45-19000-02	45-19000-02	45-19000-02
59	Stk	Contactor - Blower	42-22464-01	42-102664-08	42-102664-08
		Pressure Switch Assembly - (Clogged Filter and Fan Proving)	42-103320-26	42-103320-26	42-103320-26
60		Capacitor - Fan Motor			
		High Pressure Control			
		Low Pressure Control			
61		Unit Controller (RTU-C)	47-102883-01	47-102883-01	47-102883-01
62	Stk	Compressor Contactor	42-22464-01	42-22464-01	42-22464-01
WIRING HARNESES:					
		Wiring Harness - Motor #1			
		Wiring Harness - Motor #2			
		Wiring Harness - 8 Pin to (4 Connectors and 2 Temperature Sensors) - See Note 3	45-42522-98	45-42522-98	45-42522-98
		Wiring Harness - Twist-Loc (12 Pin and 4 Pin) to 9 Pin	45-42522-100	45-42522-100	45-42522-100
		Jumper - 7 Pin Connector	45-42522-103	45-42522-103	45-42522-103
		Wiring Harness - Compressor Control (14 Pin to Two 2 Pin Connectors and Two Temperature Sensors) - See Note 3	45-42522-106	45-42522-106	45-42522-106
		Plug Harness - Compressor			
		Wirng Harness - Main Power	45-42522-09	45-42522-09	45-42522-09
		Bypass Plug - Economizer 12 Pin	AS-61997-55	AS-61997-55	AS-61997-55
		Wiring Harness - 6 Pin to Heater Kit	45-102706-09	45-102706-09	45-102706-09

No.	Notes	MODEL TECHNICAL VARIATION COOLING CAPACITY ELECTRICAL DESIGNATION	RLNL- C 090 C	RLNL- C 090 D	RLNL- C 090 Y	RLNL- C 102 C	RLNL- C 102 D	RLNL- C 102 Y
ELECTRIC GROUP								
11		Terminal Block	45-41669-01	45-41669-01	45-41669-01	45-41669-01	45-41669-01	45-41669-01
		Outlet Box	45-41952-02	45-41952-02	45-41952-02	45-41952-02	45-41952-02	45-41952-02
		Receptacle Cover	45-41953-02	45-41953-02	45-41953-02	45-41953-02	45-41953-02	45-41953-02
		Receptacle - Ground Fault	45-41954-01	45-41954-01	45-41954-01	45-41954-01	45-41954-01	45-41954-01
CONTROL BOX COMPONENTS:								
57	Stk	Transformer - Control	46-42515-04	46-42515-05	46-42515-05	46-42515-04	46-42515-05	46-42515-05
58a		Double Row Terminal Block	45-42548-02	45-42548-02	45-42548-02	45-42548-02	45-42548-02	45-42548-02
58b		Ground Lug	45-19000-02	45-19000-02	45-19000-02	45-19000-02	45-19000-02	45-19000-02
59	Stk	Contactor - Blower	42-102664-08	42-102664-08	42-102664-08	42-102664-08	42-102664-08	42-102664-08
		Pressure Switch Assembly - (Clogged Filter and Fan Proving)	42-103320-26	42-103320-26	42-103320-26	42-103320-26	42-103320-26	42-103320-26
		Comfort Alert	42-101504-03	42-101504-03	42-101504-03	42-101504-03	42-101504-03	42-101504-03
		Low Ambient Control Assembly	AS-103034-01	AS-103034-01	AS-103034-01	AS-103034-01	AS-103034-01	AS-103034-01
60		Capacitor - Fan Motor	See Fan Group					
		High Pressure Control	See Coil Group					
		Low Pressure Control	See Coil Group					
61		Unit Controller (RTU-C)	47-102883-01	47-102883-01	47-102883-01	47-102883-01	47-102883-01	47-102883-01
62	Stk	Compressor Contactor	42-22464-01	42-22464-01	42-22464-01	42-22464-01	42-22464-01	42-22464-01
WIRING HARNESES:								
		Wiring Harness - Motor #1	See Fan Group					
		Wiring Harness - Motor #2	See Fan Group					
		Wiring Harness - 8 Pin to (4 Connectors and 2 Temperature Sensors) - See Note 3	45-42522-98	45-42522-98	45-42522-98	45-42522-98	45-42522-98	45-42522-98
		Wiring Harness - Twist-Loc (12 Pin and 4 Pin) to 9 Pin Jumper - 7 Pin Connector	45-42522-100	45-42522-100	45-42522-100	45-42522-100	45-42522-100	45-42522-100
		Wiring Harness - Compressor Control (14 Pin to Four 2 Pin Connectors and Three Temperature Sensors) - See Note 3	45-42522-104	45-42522-104	45-42522-104	45-42522-104	45-42522-104	45-42522-104
		Wiring Harness - Compressor Control (14 Pin to Four 2 Pin Connectors and Three Temperature Sensors) - See Note 3	45-42522-99	45-42522-99	45-42522-99	45-42522-99	45-42522-99	45-42522-99
		Plug Harness - Compressor	See Compressor Group					
		Wiring Harness - Main Power	45-42522-09	45-42522-09	45-42522-09	45-42522-09	45-42522-09	45-42522-09
		Bypass Plug - Economizer 12 Pin	AS-61997-55	AS-61997-55	AS-61997-55	AS-61997-55	AS-61997-55	AS-61997-55
		Wiring Harness - 6 Pin to Heater Kit	45-102706-09	45-102706-09	45-102706-09	45-102706-09	45-102706-09	45-102706-09

No.	Notes	MODEL TECHNICAL VARIATION COOLING CAPACITY ELECTRICAL DESIGNATION	RLNL- C 120 C	RLNL- C 120 D	RLNL- C 120 Y	RLNL- C 150 C	RLNL- C 150 D	RLNL- C 150 Y
ELECTRIC GROUP								
11		Terminal Block	45-41669-01	45-41669-01	45-41669-01	45-41669-01	45-41669-01	45-41669-01
		Outlet Box	45-41952-02	45-41952-02	45-41952-02	45-41952-02	45-41952-02	45-41952-02
		Receptacle Cover	45-41953-02	45-41953-02	45-41953-02	45-41953-02	45-41953-02	45-41953-02
		Receptacle - Ground Fault	45-41954-01	45-41954-01	45-41954-01	45-41954-01	45-41954-01	45-41954-01
CONTROL BOX COMPONENTS:								
57	Stk	Transformer - Control	46-42515-04	46-42515-05	46-42515-05	46-42515-04	46-42515-05	46-42515-05
58a		Double Row Terminal Block	45-42548-02	45-42548-02	45-42548-02	45-42548-02	45-42548-02	45-42548-02
58b		Ground Lug	45-19000-02	45-19000-02	45-19000-02	45-19000-02	45-19000-02	45-19000-02
59	Stk	Contactor - Blower	42-102664-08	42-102664-08	42-102664-08	42-102664-08	42-102664-08	42-102664-08
		Pressure Switch Assembly - (Clogged Filter and Fan Proving)	42-103320-26	42-103320-26	42-103320-26	42-103320-26	42-103320-26	42-103320-26
		Comfort Alert	42-101504-03	42-101504-03	42-101504-03	42-101504-03	42-101504-03	42-101504-03
		Low Ambient Control Assembly	AS-103034-01	AS-103034-01	AS-103034-01	AS-103034-01	AS-103034-01	AS-103034-01
60		Capacitor - Fan Motor	See Fan Group					
		High Pressure Control	See Coil Group					
		Low Pressure Control	See Coil Group					
61		Unit Controller (RTU-C)	47-102883-01	47-102883-01	47-102883-01	47-102883-01	47-102883-01	47-102883-01
62	Stk	Compressor Contactor	42-22464-01	42-22464-01	42-22464-01	42-22464-01	42-22464-01	42-22464-01
WIRING HARNESSES:								
		Wiring Harness - Motor #1	See Fan Group					
		Wiring Harness - Motor #2	See Fan Group					
		Wiring Harness - 8 Pin to (4 Connectors and 2 Temperature Sensors) - See Note 3	45-42522-98	45-42522-98	45-42522-98	45-42522-98	45-42522-98	45-42522-98
		Wiring Harness - Twist-Loc (12 Pin and 4 Pin) to 9 Pin Jumper - 7 Pin Connector	45-42522-100	45-42522-100	45-42522-100	45-42522-100	45-42522-100	45-42522-100
			45-42522-104	45-42522-104	45-42522-104	45-42522-104	45-42522-104	45-42522-104
		Wiring Harness - Compressor Control (14 Pin to Four 2 Pin Connectors and Three Temperature Sensors) - See Note 3	45-42522-99	45-42522-99	45-42522-99	45-42522-99	45-42522-99	45-42522-99
		Plug Harness - Compressor	See Compressor Group					
		Wirng Harness - Main Power	45-42522-09	45-42522-09	45-42522-09	45-42522-09	45-42522-09	45-42522-09
		Bypass Plug - Economizer 12 Pin	AS-61997-55	AS-61997-55	AS-61997-55	AS-61997-55	AS-61997-55	AS-61997-55
		Wiring Harness - 6 Pin to Heater Kit	45-102706-09	45-102706-09	45-102706-09	45-102706-09	45-102706-09	45-102706-09

No.	Notes	MODEL TECHNICAL VARIATION COOLING CAPACITY ELECTRICAL DESIGNATION	RLNL- C 151 C	RLNL- C 151 D	RLNL- C 151 Y
ELECTRIC GROUP					
11		Terminal Block	45-41669-01	45-41669-01	45-41669-01
		Outlet Box	45-41952-02	45-41952-02	45-41952-02
		Receptacle Cover	45-41953-02	45-41953-02	45-41953-02
		Receptacle - Ground Fault	45-41954-01	45-41954-01	45-41954-01
CONTROL BOX COMPONENTS:					
57	Stk	Transformer - Control	46-42515-04	46-42515-05	46-42515-05
58a		Double Row Terminal Block	45-42548-02	45-42548-02	45-42548-02
58b		Ground Lug	45-19000-02	45-19000-02	45-19000-02
59	Stk	Contactor - Blower	42-102664-08	42-102664-08	42-102664-08
		Pressure Switch Assembly - (Clogged Filter and Fan Proving)	42-103320-26	42-103320-26	42-103320-26
		Comfort Alert	42-101504-03	42-101504-03	42-101504-03
		Low Ambient Control Assembly	AS-103034-01	AS-103034-01	AS-103034-01
60		Capacitor - Fan Motor	See Fan Group		
		High Pressure Control	See Coil Group		
		Low Pressure Control	See Coil Group		
61		Unit Controller (RTU-C)	47-102883-01	47-102883-01	47-102883-01
62	Stk	Compressor Contactor	42-22464-01	42-22464-01	42-22464-01
WIRING HARNESES:					
		Wiring Harness - Motor #1	See Fan Group		
		Wiring Harness - Motor #2	See Fan Group		
		Wiring Harness - 8 Pin to (4 Connectors and 2 Temperature Sensors) - See Note 3	45-42522-98	45-42522-98	45-42522-98
		Wiring Harness - Twist-Loc (12 Pin and 4 Pin) to 9 Pin	45-42522-100	45-42522-100	45-42522-100
		Jumper - 7 Pin Connector	45-42522-104	45-42522-104	45-42522-104
		Wiring Harness - Compressor Control (14 Pin to Four 2 Pin Connectors and Three Temperature Sensors) - See Note 3	45-42522-99	45-42522-99	45-42522-99
		Plug Harness - Compressor	See Compressor Group		
		Wirng Harness - Main Power	45-42522-09	45-42522-09	45-42522-09
		Bypass Plug - Economizer 12 Pin	AS-61997-55	AS-61997-55	AS-61997-55
		Wiring Harness - 6 Pin to Heater Kit	45-102706-09	45-102706-09	45-102706-09

No.	Notes	MODEL TECHNICAL VARIATION COOLING CAPACITY ELECTRICAL DESIGNATION	RLNL- C 180/210 C	RLNL- C 240 C	RLNL- C 241 C	RLNL- C 300 C
ELECTRIC GROUP						
11		Terminal Block - Heater Compartment	45-21134-04	45-21134-04	45-21134-04	45-21134-04
15		Ground Lug - Heater Compartment	45-19000-02	45-19000-02	45-19000-02	45-19000-02
CONTROL BOX COMPONENTS:						
57	Stk	Transformer - Control	46-42515-04	46-42515-04	46-42515-04	46-42515-04
58 a		Terminal Block - Double Row	45-42548-02	45-42548-02	45-42548-02	45-42548-02
58 b		Terminal Block - Power Block	45-41765-01	45-41765-01	45-41765-01	45-41765-01
58c		Ground Lug	45-19000-02	45-19000-02	45-19000-02	45-19000-02
59	Stk	Contactator - Blower	42-102664-08	42-102664-08	42-102664-08	42-102664-08
60		Run Capacitor	See Fan Group			
		High Pressure Control	See Coil Group			
		Low Pressure Control	See Coil Group			
61		Unit Controller (RTU-C)	47-102883-01	47-102883-01	47-102883-02	47-102883-01
62	Stk	Compressor #1 Contactator	42-102664-12	42-102664-12	42-102664-26	42-22464-04
62	Stk	Compressor #2 Contactator	42-102664-12	42-102664-12	42-102664-12	42-22464-04
WIRING HARNESES:						
		Wiring Harness - Motor #1	See Fan Group			
		Wiring Harness - Motor #2	See Fan Group			
		Plug Harness - Compressor	See Compressor Group			
		Wirng Harness - Main Power	45-42522-92	45-42522-92	45-42522-92	45-42522-92
		Bypass Plug - Economizer 12 Pin	AS-61997-55	AS-61997-55	45-61997-55	AS-61997-55
		Wiring Harness - 6 Pin to Heater Kit	45-42522-91	45-42522-91	45-42522-91	45-42522-91
		Wiring Harness - Economizer (12 pin and 4 pin to 9 pin)	45-42522-93	45-42522-93	45-42522-93	45-42522-93
		Wire Harness Assembly - Compressor Control (14 pin to 3 Temperature Sensors and 4 Connectors) - See Note 3	45-42522-78	45-42522-78	45-42522-78	45-42522-78

No.	Notes	MODEL TECHNICAL VARIATION COOLING CAPACITY ELECTRICAL DESIGNATION	RLNL- C 180/210 D	RLNL- C 240 D	RLNL- C 241 D	RLNL- C 300 D
ELECTRIC GROUP						
11		Terminal Block - Heater Compartment	45-21134-04	45-21134-04	45-21134-04	45-21134-04
15		Ground Lug - Heater Compartment	45-19000-02	45-19000-02	45-19000-02	45-19000-02
CONTROL BOX COMPONENTS:						
57	Stk	Transformer - Control	46-42515-05	46-42515-05	46-42515-05	46-42515-05
58 a		Terminal Block - Double Row	45-42548-02	45-42548-02	45-42548-02	45-42548-02
58 b		Terminal Block - Power Block	45-41765-01	45-41765-01	45-41765-01	45-41765-01
58c		Ground Lug	45-19000-02	45-19000-02	45-19000-02	45-19000-02
59	Stk	Contactator - Blower	42-22464-01	42-22464-01	42-102664-08	42-22464-01
60		Run Capacitor	See Fan Group			
		High Pressure Control	See Coil Group			
		Low Pressure Control	See Coil Group			
61		Unit Controller (RTU-C)	47-102883-01	47-102883-01	47-102883-02	47-102883-01
62	Stk	Compressor #1 Contactator	42-22464-02	42-22464-02	42-102664-26	42-22464-04
62	Stk	Compressor #2 Contactator	42-22464-02	42-22464-02	42-102664-12	42-22464-04
WIRING HARNESES:						
		Wiring Harness - Motor #1	See Fan Group			
		Wiring Harness - Motor #2	See Fan Group			
		Plug Harness - Compressor	See Compressor Group			
		Wirng Harness - Main Power	45-42522-92	45-42522-92	45-42522-92	45-42522-92
		Bypass Plug - Economizer 12 Pin	AS-61997-55	AS-61997-55	45-61997-55	AS-61997-55
		Wiring Harness - 6 Pin to Heater Kit	45-42522-91	45-42522-91	45-42522-91	45-42522-91
		Wiring Harness - Economizer (12 pin and 4 pin to 9 pin)	45-42522-93	45-42522-93	45-42522-93	45-42522-93
		Wire Harness Assembly - Compressor Control (14 pin to 3 Temperature Sensors and 4 Connectors) - See Note 3	45-42522-78	45-42522-78	45-42522-78	45-42522-78

No.	Notes	MODEL TECHNICAL VARIATION COOLING CAPACITY ELECTRICAL DESIGNATION	RLNL- C 180/210 Y	RLNL- C 240 Y	RLNL- C 241 Y	RLNL- C 300 Y
ELECTRIC GROUP						
11		Terminal Block - Heater Compartment	45-21134-04	45-21134-04	45-21134-04	45-21134-04
15		Ground Lug - Heater Compartment	45-19000-02	45-19000-02	45-19000-02	45-19000-02
CONTROL BOX COMPONENTS:						
57	Stk	Transformer - Control	46-42515-05	46-42515-05	46-42515-05	46-42515-05
58 a		Terminal Block - Double Row	45-42548-02	45-42548-02	45-42548-02	45-42548-02
58 b		Terminal Block - Power Block	45-41765-01	45-41765-01	45-41765-01	45-41765-01
58c		Ground Lug	45-19000-02	45-19000-02	45-19000-02	45-19000-02
59	Stk	Contactator - Blower	42-22464-01	42-22464-01	42-102664-08	42-22464-01
60		Run Capacitor	See Fan Group			
		High Pressure Control	See Coil Group			
		Low Pressure Control	See Coil Group			
61		Unit Controller (RTU-C)	47-102883-01	47-102883-01	47-102883-02	47-102883-01
62	Stk	Compressor #1 Contactator	42-22464-02	42-22464-02	42-102664-26	42-22464-04
62	Stk	Compressor #2 Contactator	42-22464-02	42-22464-02	42-102664-12	42-22464-04
WIRING HARNESES:						
		Wiring Harness - Motor #1	See Fan Group			
		Wiring Harness - Motor #2	See Fan Group			
		Plug Harness - Compressor	See Compressor Group			
		Wirng Harness - Main Power	45-42522-92	45-42522-92	45-42522-92	45-42522-92
		Bypass Plug - Economizer 12 Pin	AS-61997-55	AS-61997-55	45-61997-55	AS-61997-55
		Wiring Harness - 6 Pin to Heater Kit	45-42522-91	45-42522-91	45-42522-91	45-42522-91
		Wiring Harness - Economizer (12 pin and 4 pin to 9 pin)	45-42522-93	45-42522-93	45-42522-93	45-42522-93
		Wire Harness Assembly - Compressor Control (14 pin to 3 Temperature Sensors and 4 Connectors) - See Note 3	45-42522-78	45-42522-78	45-42522-78	45-42522-78

No.	Notes	MODEL TECHNICAL VARIATION COOLING CAPACITY ELECTRICAL DESIGNATION	RLNL- C 036 C	RLNL- C 042 C	RLNL- C 048 C	RLNL- C 060 C
FAN GROUP						
32	Stk	Fan Motor	51-100998-05	51-100998-05	51-100998-05	51-100998-13
33	Stk	Capacitor - Fan Motor	43-100496-04	43-100496-04	43-100496-04	43-100496-12
34	Stk	Fan Blade	70-23594-01	70-23594-01	70-23594-01	70-42484-01

No.	Notes	MODEL TECHNICAL VARIATION COOLING CAPACITY ELECTRICAL DESIGNATION	RLNL- C 036 D	RLNL- C 042 D	RLNL- C 048 D	RLNL- C 060 D
FAN GROUP						
32	Stk	Fan Motor	51-100998-07	51-100998-07	51-100998-07	51-100998-12
33	Stk	Capacitor - Fan Motor	43-100496-04	43-100496-04	43-100496-04	43-100496-12
34	Stk	Fan Blade	70-23594-01	70-23594-01	70-23594-01	70-42484-01

No.	Notes	MODEL TECHNICAL VARIATION COOLING CAPACITY ELECTRICAL DESIGNATION	RLNL-	RLNL-	RLNL-	RLNL-	RLNL-	RLNL-
			C 072 C	C 072 D	C 072 Y	C 073 C	C 073 D	C 073 Y
ELECTRIC GROUP								
52	Stk	Fan Motor (2)	51-42534-24	51-42534-25	51-42534-26	51-42534-24	51-42534-25	51-42534-26
		Wiring Harness - Motor #1 (7 wire)	45-102706-01	45-102706-01	45-102706-01	45-102706-01	45-102706-01	45-102706-01
		Wiring Harness - Motor #2 (5 wire)	45-102706-02	45-102706-02	45-102706-02	45-102706-02	45-102706-02	45-102706-02
53	Stk	Fan Blade (2)	70-42572-04	70-42572-04	70-42572-04	70-42572-04	70-42572-04	70-42572-04
60	Stk	Capacitor - Fan Motor (2)	43-100496-12	43-100496-12	43-100496-12	43-100496-12	43-100496-12	43-100496-12

No.	Notes	MODEL TECHNICAL VARIATION COOLING CAPACITY ELECTRICAL DESIGNATION	RLNL-	RLNL-	RLNL-	RLNL-	RLNL-	RLNL-
			C 085 C	C 085 D	C 085 Y	C 090 C	C 090 D	C 090 Y
ELECTRIC GROUP								
52	Stk	Fan Motor (2)	51-42534-24	51-42534-25	51-42534-26	51-42534-24	51-42534-25	51-42534-26
		Wiring Harness - Motor #1 (7 wire)	45-102706-01	45-102706-01	45-102706-01	45-102706-01	45-102706-01	45-102706-01
		Wiring Harness - Motor #2 (5 wire)	45-102706-02	45-102706-02	45-102706-02	45-102706-02	45-102706-02	45-102706-02
53	Stk	Fan Blade (2)	70-42572-04	70-42572-04	70-42572-04	70-42572-04	70-42572-04	70-42572-04
60	Stk	Capacitor - Fan Motor (2)	43-100496-12	43-100496-12	43-100496-12	43-100496-12	43-100496-12	43-100496-12

No.	Notes	MODEL TECHNICAL VARIATION COOLING CAPACITY ELECTRICAL DESIGNATION	RLNL-	RLNL-	RLNL-			
			C 102 C	C 102 D	C 102 Y			
ELECTRIC GROUP								
52	Stk	Fan Motor (2)	51-42534-24	51-42534-25	51-42534-26			
		Wiring Harness - Motor #1 (7 wire)	45-102706-01	45-102706-01	45-102706-01			
		Wiring Harness - Motor #2 (5 wire)	45-102706-02	45-102706-02	45-102706-02			
53	Stk	Fan Blade (2)	70-42572-04	70-42572-04	70-42572-04			
60	Stk	Capacitor - Fan Motor (2)	43-100496-12	43-100496-12	43-100496-12			

No.	Notes	MODEL TECHNICAL VARIATION COOLING CAPACITY ELECTRICAL DESIGNATION	RLNL-	RLNL-	RLNL-	RLNL-	RLNL-	RLNL-
			C 120 C	C 120 D	C 120 Y	C 150 C	C 150 D	C 150 Y
ELECTRIC GROUP								
52	Stk	Fan Motor (2)	51-42534-24	51-42534-25	51-42534-26	51-42534-29	51-42534-28	51-42534-27
		Wiring Harness - Motor #1 (7 wire)	45-102706-01	45-102706-01	45-102706-01	45-102706-03	45-102706-03	45-102706-03
		Wiring Harness - Motor #2 (5 wire)	45-102706-02	45-102706-02	45-102706-02	45-102706-04	45-102706-04	45-102706-04
53	Stk	Fan Blade (2)	70-42572-04	70-42572-04	70-42572-04	70-42502-03	70-42502-03	70-42502-03
60	Stk	Capacitor - Fan Motor (2)	43-100496-12	43-100496-12	43-100496-12	43-100496-17	43-100496-12	43-100496-48

No.	Notes	MODEL TECHNICAL VARIATION COOLING CAPACITY ELECTRICAL DESIGNATION	RLNL-	RLNL-	RLNL-			
			C 151 C	C 151 D	C 151 Y			
ELECTRIC GROUP								
52	Stk	Fan Motor (2)	51-42534-29	51-42534-28	51-42534-27			
		Wiring Harness - Motor #1 (7 wire)	45-102706-03	45-102706-03	45-102706-03			
		Wiring Harness - Motor #2 (5 wire)	45-102706-04	45-102706-04	45-102706-04			
53	Stk	Fan Blade (2)	70-103693-01	70-103693-01	70-103693-01			
60	Stk	Capacitor - Fan Motor (2)	43-100496-17	43-100496-12	43-100496-48			

No.	Notes	MODEL TECHNICAL VARIATION COOLING CAPACITY ELECTRICAL DESIGNATION	RLNL- C 180/210 C	RLNL- C 240 C	RLNL- C 241 C	RLNL- C 300 C
FAN GROUP						
52	Stk	Fan Motor	51-42534-24 (4)	51-42534-24 (6)	51-42534-24 (6)	51-42534-24 (6)
		Wiring Harness - Motor #1 & #4	45-42522-71	45-42522-71	45-42522-71	45-42522-71
		Wiring Harness - Motor #2 & #5	N/A	45-42522-70	45-42522-70	45-42522-70
		Wiring Harness - Motor #3 & #6	45-42522-69	45-42522-69	45-42522-69	45-42522-69
53	Stk	Fan Blade	70-42572-04 (4)	70-42572-04 (6)	70-42572-04 (6)	70-42572-04 (6)
60	Stk	Capacitor - Fan Motor	43-100496-12 (4)	43-100496-12 (6)	43-100496-12 (6)	43-100496-12 (6)

No.	Notes	MODEL TECHNICAL VARIATION COOLING CAPACITY ELECTRICAL DESIGNATION	RLNL- C 180/210 D	RLNL- C 240 D	RLNL- C 241 D	RLNL- C 300 D
FAN GROUP						
52	Stk	Fan Motor	51-42534-25 (4)	51-42534-25 (6)	51-42534-25 (6)	51-42534-25 (6)
		Wiring Harness - Motor #1 & #4	45-42522-71	45-42522-71	45-42522-71	45-42522-71
		Wiring Harness - Motor #2 & #5	N/A	45-42522-70	45-42522-70	45-42522-70
		Wiring Harness - Motor #3 & #6	45-42522-69	45-42522-69	45-42522-69	45-42522-69
53	Stk	Fan Blade	70-42572-04 (4)	70-42572-04 (6)	70-42572-04 (6)	70-42572-04 (6)
60	Stk	Capacitor - Fan Motor	43-100496-12 (4)	43-100496-12 (6)	43-100496-12 (6)	43-100496-12 (6)

No.	Notes	MODEL TECHNICAL VARIATION COOLING CAPACITY ELECTRICAL DESIGNATION	RLNL- C 180/210 Y	RLNL- C 240 Y	RLNL- C 241 Y	RLNL- C 300 Y
FAN GROUP						
52	Stk	Fan Motor	51-42534-26 (4)	51-42534-26 (6)	51-42534-26 (6)	51-42534-26 (6)
		Wiring Harness - Motor #1 & #4	45-42522-71	45-42522-71	45-42522-71	45-42522-71
		Wiring Harness - Motor #2 & #5	N/A	45-42522-70	45-42522-70	45-42522-70
		Wiring Harness - Motor #3 & #6	45-42522-69	45-42522-69	45-42522-69	45-42522-69
53	Stk	Fan Blade	70-42572-04 (4)	70-42572-04 (6)	70-42572-04 (6)	70-42572-04 (6)
60	Stk	Capacitor - Fan Motor	43-100496-12 (4)	43-100496-12 (6)	43-100496-12 (6)	43-100496-12 (6)

No.	Notes	MODEL TECHNICAL VARIATION COOLING CAPACITY ELECTRICAL DESIGNATION DRIVE PACKAGE	RLNL-	RLNL-	RLNL-	RLNL-	RLNL-	RLNL-
			C 036 C L	C 036 D L	C 042 C L	C 042 D L	C 048 C L	C 048 D L
BLOWER ASSEMBLY - BELT DRIVE								
62	Stk	Blower Assembly (Includes items 63-66, 68-73 excluding item 72b)	AS-101336-01	AS-101336-01	AS-101336-01	AS-101336-01	AS-101336-01	AS-101336-05
63		Housing	AS-101341-01	AS-101341-01	AS-101341-01	AS-101341-01	AS-101341-01	AS-101341-01
64	Stk	Bearing Frame Tri-Arm (2)	70-41723-03	70-41723-03	70-41723-03	70-41723-03	70-41723-03	70-41723-03
65	Stk	Ball Bearing and Cushion (2)	70-41911-01	70-41911-01	70-41911-01	70-41911-01	70-41911-01	70-41911-01
66	Stk	Blower Shaft	70-21933-02	70-21933-02	70-21933-02	70-21933-02	70-21933-02	70-21933-02
67	Stk	Fixed Pitch Sheave	71-100772-04	71-100772-04	71-100772-04	71-100772-04	71-100772-04	71-100772-03
68		Blower Support - Left	AE-58950-02	AE-58950-02	AE-58950-02	AE-58950-02	AE-58950-02	AE-58950-02
69	Stk	Wheel	70-23589-01	70-23589-01	70-23589-01	70-23589-01	70-23589-01	70-23589-01
70		Cut-Off Tabulation	AE-64401-05	AE-64401-05	AE-64401-05	AE-64401-05	AE-64401-05	AE-64401-05
74	Stk	Blower Motor	51-42579-01	51-42579-01	51-42579-01	51-42579-01	51-42579-01	51-42579-01
75	Stk	Variable Pitch Sheave	71-40427-30	71-40427-30	71-40427-30	71-40427-30	71-40427-29	71-40427-29
76	Stk	Belt	71-40235-43	71-40235-43	71-40235-43	71-40235-43	71-40235-43	71-40235-43

No.	Notes	MODEL TECHNICAL VARIATION COOLING CAPACITY ELECTRICAL DESIGNATION DRIVE PACKAGE	RLNL-	RLNL-	RLNL-	RLNL-	RLNL-	RLNL-
			C 036 C M	C 036 D M	C 042 C M	C 042 D M	C 048 C M	C 048 D M
BLOWER ASSEMBLY - BELT DRIVE								
62	Stk	Blower Assembly (Includes items 63-66, 68-73 excluding item 72b)	AS-101336-05	AS-101336-05	AS-101336-05	AS-101336-05	AS-101336-05	AS-101336-05
63		Housing	AS-101341-01	AS-101341-01	AS-101341-01	AS-101341-01	AS-101341-01	AS-101341-01
64	Stk	Bearing Frame Tri-Arm (2)	70-41723-03	70-41723-03	70-41723-03	70-41723-03	70-41723-03	70-41723-03
65	Stk	Ball Bearing and Cushion (2)	70-41911-01	70-41911-01	70-41911-01	70-41911-01	70-41911-01	70-41911-01
66	Stk	Blower Shaft	70-21933-02	70-21933-02	70-21933-02	70-21933-02	70-21933-02	70-21933-02
67	Stk	Fixed Pitch Sheave	71-100772-03	71-100772-03	71-100772-03	71-100772-03	71-100772-03	71-100772-03
68		Blower Support - Left	AE-58950-02	AE-58950-02	AE-58950-02	AE-58950-02	AE-58950-02	AE-58950-02
69	Stk	Wheel	70-23589-01	70-23589-01	70-23589-01	70-23589-01	70-23589-01	70-23589-01
70		Cut-Off Tabulation	AE-64401-05	AE-64401-05	AE-64401-05	AE-64401-05	AE-64401-05	AE-64401-05
74	Stk	Blower Motor	51-21909-01	51-21909-01	51-21909-01	51-21909-01	51-21909-01	51-21909-01
75	Stk	Variable Pitch Sheave	71-40427-25	71-40427-25	71-40427-25	71-40427-25	71-40427-25	71-40427-25
76	Stk	Belt	71-40235-43	71-40235-43	71-40235-43	71-40235-43	71-40235-43	71-40235-43

No.	Notes	MODEL TECHNICAL VARIATION COOLING CAPACITY ELECTRICAL DESIGNATION DRIVE PACKAGE	RLNL-					
			C 036-048 C/D L/M					
BLOWER MOTOR MOUNTING - BELT DRIVE								
71		Blower Bracket	AE-101124-01					
72		Blower Bracket - Drive Side	AE-101124-04					
72a		Grommet (Flat)	56-18518-04					
72b		Cross Brace	AE-101467-01					
73		Motor Mount Assembly	AS-101340-01					

No.	Notes	MODEL TECHNICAL VARIATION COOLING CAPACITY ELECTRICAL DESIGNATION DRIVE PACKAGE	RLNL-	RLNL-
			C 060 C L	C 060 D L
BLOWER ASSEMBLY - BELT DRIVE				
62	Stk	Blower Assembly (Includes items 63-66, 68-73 excluding item 72b)	AS-101336-05	AS-101336-05
63		Housing	AS-101341-01	AS-101341-01
64	Stk	Bearing Frame Tri-Arm (2)	70-41723-03	70-41723-03
65	Stk	Ball Bearing and Cushion (2)	70-41911-01	70-41911-01
66	Stk	Blower Shaft	70-21933-02	70-21933-02
67	Stk	Fixed Pitch Sheave	71-100772-03	71-100772-03
68		Blower Support - Left	AE-58950-02	AE-58950-02
69	Stk	Wheel	70-23589-01	70-23589-01
70		Cut-Off Tabulation	AE-64401-05	AE-64401-05
74	Stk	Blower Motor	51-21909-01	51-21909-01
75	Stk	Variable Pitch Sheave	71-40427-29	71-40427-29
76	Stk	Belt	71-40235-42	71-40235-42

No.	Notes	MODEL TECHNICAL VARIATION COOLING CAPACITY ELECTRICAL DESIGNATION DRIVE PACKAGE	RLNL-	RLNL-
			C 060 C M	C 060 D M
BLOWER ASSEMBLY - BELT DRIVE				
62	Stk	Blower Assembly (Includes items 63-66, 68-73 excluding item 72b)	AS-101336-05	AS-101336-05
63		Housing	AS-101341-01	AS-101341-01
64	Stk	Bearing Frame Tri-Arm (2)	70-41723-03	70-41723-03
65	Stk	Ball Bearing and Cushion (2)	70-41911-01	70-41911-01
66	Stk	Blower Shaft	70-21933-02	70-21933-02
67	Stk	Fixed Pitch Sheave	71-100772-03	71-100772-03
68		Blower Support - Left	AE-58950-02	AE-58950-02
69	Stk	Wheel	70-23589-01	70-23589-01
70		Cut-Off Tabulation	AE-64401-05	AE-64401-05
74	Stk	Blower Motor	51-41936-01	51-41936-01
75	Stk	Variable Pitch Sheave	71-40427-25	71-40427-25
76	Stk	Belt	71-40235-43	71-40235-43

No.	Notes	MODEL TECHNICAL VARIATION COOLING CAPACITY ELECTRICAL DESIGNATION DRIVE PACKAGE	RLNL-	
			C 060 C/D L/M	
BLOWER MOTOR MOUNTING - BELT DRIVE				
71		Blower Bracket	AE-101124-01	
72		Blower Bracket - Drive Side	AE-101124-04	
72a		Grommet (Flat)	56-18518-04	
72b		Cross Brace	AE-101467-01	
73		Motor Mount Assembly	AS-101340-01	

No.	Notes	MODEL TECHNICAL VARIATION COOLING CAPACITY DRIVE PACKAGE	RLNL- C 072 L	RLNL- C 072 M	RLNL- C 073 L	RLNL- C 073 M	RLNL- C 085 L	RLNL- C 085 M	RLNL- C 085 N
BLOWER ASSEMBLY GROUP - BELT DRIVE									
64	Stk	Blower Assembly (Includes Items 65-68)	AS-102711-02	AS-102711-02	AS-102711-02	AS-102711-02	AS-90757-01	AS-90757-01	AS-90757-01
65	Stk	Blower Wheel	70-21773-01	70-21773-01	70-21773-01	70-21773-01	70-42540-02	70-42540-02	70-42540-02
66		Bearing Frame Tri-Arm (2)	70-41723-02	70-41723-02	70-41723-02	70-41723-02	70-42540-05	70-42540-05	70-42540-05
67		Bearing with Bearing Lock (2)	70-41911-01	70-41911-01	70-41911-01	70-41911-01	70-41854-02	70-41854-02	70-41854-02
68	Stk	Blower Shaft	70-21933-02	70-21933-02	70-21933-02	70-21933-02	70-42540-04	70-42540-04	70-42540-04
69		Blower Mounting Angles (2)	AE-90708-01	AE-90708-01	AE-90708-01	AE-90708-01	AE-90708-01	AE-90708-01	AE-90708-01
		Blower Angle Stop	AE-90709-02	AE-90709-02	AE-90709-02	AE-90709-02	AE-90709-02	AE-90709-02	AE-90709-02
70		Motor Mount	AE-90710-05	AE-90710-05	AE-90710-05	AE-90710-05	AE-90710-04	AE-90710-04	AE-90710-04
71	Stk	Blower Motor (C/D Voltages)	51-41936-03	51-41936-03	51-41936-03	51-41936-03	51-42536-01	51-42536-01	51-42537-01
71	Stk	Blower Motor (Y Voltage)	51-41936-04	51-41936-04	51-41936-04	51-41936-04	51-42536-02	51-42536-02	51-42537-02
72	Stk	Variable Sheave	71-40427-29	71-40427-25	71-40427-29	71-40427-25	71-42538-02	71-42538-02	71-42538-02
73	Stk	Belt	71-40235-46	71-40235-48	71-40235-46	71-40235-48	71-40438-30	71-40438-27	71-40438-23
74	Stk	Fixed Sheave	71-100772-03	71-100772-03	71-100772-03	71-100772-03	71-100774-05	71-100774-02	71-100774-04
		Key	94-22030-01	94-22030-01	94-22030-01	94-22030-01	94-42551-09	94-42551-09	94-42551-09
	Stk	Bushing for Sheave w/Screws	N/A	N/A	N/A	N/A	71-100773-01	71-100773-01	71-100773-01

No.	Notes	MODEL TECHNICAL VARIATION COOLING CAPACITY DRIVE PACKAGE	RLNL- C 090 L	RLNL- C 090 M	RLNL- C 090 N	RLNL- C 102 L	RLNL- C 102 M		
BLOWER ASSEMBLY GROUP - BELT DRIVE									
64	Stk	Blower Assembly (Includes Items 65-68)	AS-90757-01	AS-90757-01	AS-90757-01	AS-90757-01	AS-90757-01		
65	Stk	Blower Wheel	70-42540-02	70-42540-02	70-42540-02	70-42540-02	70-42540-02		
66		Bearing Frame Tri-Arm (2)	70-42540-05	70-42540-05	70-42540-05	70-42540-05	70-42540-05		
67		Bearing with Bearing Lock (2)	70-41854-02	70-41854-02	70-41854-02	70-41854-02	70-41854-02		
68	Stk	Blower Shaft	70-42540-04	70-42540-04	70-42540-04	70-42540-04	70-42540-04		
69		Blower Mounting Angles (2)	AE-90708-01	AE-90708-01	AE-90708-01	AE-90708-01	AE-90708-01		
		Blower Angle Stop	AE-90709-02	AE-90709-02	AE-90709-02	AE-90709-02	AE-90709-02		
70		Motor Mount	AE-90710-04	AE-90710-04	AE-90710-04	AE-90710-04	AE-90710-04		
71	Stk	Blower Motor (C/D Voltages)	51-42536-01	51-42536-01	51-42537-01	51-42536-01	51-42537-01		
71	Stk	Blower Motor (Y Voltage)	51-42536-02	51-42536-02	51-42537-02	51-42536-02	51-42537-02		
72	Stk	Variable Sheave	71-42538-02	71-42538-02	71-42538-02	71-42538-02	71-42538-02		
73	Stk	Belt	71-40438-30	71-40438-27	71-40438-23	71-40438-27	71-40438-23		
74	Stk	Fixed Sheave	71-100774-05	71-100774-02	71-100774-04	71-100774-02	71-100774-04		
		Key	94-42551-09	94-42551-09	94-42551-09	94-42551-09	94-42551-09		
	Stk	Bushing for Sheave w/Screws	71-100773-01	71-100773-01	71-100773-01	71-100773-01	71-100773-01		

No.	Notes	MODEL TECHNICAL VARIATION COOLING CAPACITY DRIVE PACKAGE	RLNL-	RLNL-	RLNL-	RLNL-
			C 120 L	C 120 M	C 150 L	C 150 M
BLOWER ASSEMBLY GROUP - BELT DRIVE						
64	Stk	Blower Assembly (Includes Items 65-68)	AS-90757-01	AS-90757-01	AS-90757-01	AS-90757-01
65	Stk	Blower Wheel	70-42540-02	70-42540-02	70-42540-02	70-42540-02
66		Bearing Frame Tri-Arm (2)	70-42540-05	70-42540-05	70-42540-05	70-42540-05
67		Bearing with Bearing Lock (2)	70-41854-02	70-41854-02	70-41854-02	70-41854-02
68	Stk	Blower Shaft	70-42540-04	70-42540-04	70-42540-04	70-42540-04
69		Blower Mounting Angles (2)	AE-90708-01	AE-90708-01	AE-90708-01	AE-90708-01
		Blower Angle Stop	AE-90709-02	AE-90709-02	AE-90709-02	AE-90709-02
70		Motor Mount	AE-90710-04	AE-90710-04	AE-90710-04	AE-90710-04
71	Stk	Blower Motor (C/D Voltages)	51-42536-01	51-42537-01	51-42537-01	51-42498-07
71	Stk	Blower Motor (Y Voltage)	51-42536-02	51-42537-02	51-42537-02	51-42574-01
72	Stk	Variable Sheave	71-42538-02	71-42538-02	71-42538-02	71-40427-11
73	Stk	Belt	71-40438-27	71-40438-23	71-40438-23	71-40438-31
74	Stk	Fixed Sheave	71-100774-02	71-100774-04	71-100774-01	71-26254-06
		Key	94-42551-09	94-42551-09	94-42551-09	94-42551-09
	Stk	Bushing for Sheave w/Screws	71-100773-01	71-100773-01	71-100773-01	71-100773-01

No.	Notes	MODEL TECHNICAL VARIATION COOLING CAPACITY DRIVE PACKAGE	RLNL-	RLNL-		
			C 151 L	C 151 M		
BLOWER ASSEMBLY GROUP - BELT DRIVE						
64	Stk	Blower Assembly (Includes Items 65-68)	AS-90757-01	AS-90757-01		
65	Stk	Blower Wheel	70-42540-02	70-42540-02		
66		Bearing Frame Tri-Arm (2)	70-42540-05	70-42540-05		
67		Bearing with Bearing Lock (2)	70-41854-02	70-41854-02		
68	Stk	Blower Shaft	70-42540-04	70-42540-04		
69		Blower Mounting Angles (2)	AE-90708-01	AE-90708-01		
		Blower Angle Stop	AE-90709-02	AE-90709-02		
70		Motor Mount	AE-90710-04	AE-90710-04		
71	Stk	Blower Motor (C/D Voltages)	51-42537-01	51-102826-06		
71	Stk	Blower Motor (Y Voltage)	51-42537-02	51-102826-08		
72	Stk	Variable Sheave	71-42538-02	71-40427-11		
73	Stk	Belt	71-40438-23	71-40438-31		
74	Stk	Fixed Sheave	71-100774-01	71-26254-06		
		Key	94-42551-09	94-42551-09		
	Stk	Bushing for Sheave w/Screws	71-100773-01	71-100773-01		

No.	Notes	MODEL TECHNICAL VARIATION COOLING CAPACITY DRIVE PACKAGE	RLNL-	RLNL-	RLNL-	RLNL-	RLNL-
			C 180 L	C 210 L	C 240 L	C 241 L	C 300 L
BLOWER ASSEMBLY GROUP - BELT DRIVE							
64	Stk	Blower Assembly - Includes Items 65 and 66 (2)	AS-90757-06	AS-90757-06	AS-90757-06	AS-90757-06	AS-90757-06
65	Stk	Blower Wheel (2)	70-42564-02	70-42564-02	70-42564-02	70-42564-02	70-42564-02
66		Bearing Frame Tri-Arm (4)	70-42284-04	70-42284-04	70-42284-04	70-42284-04	70-42284-04
67		Bearing with Bearing Lock (4)	70-41854-02	70-41854-02	70-41854-02	70-41854-02	70-41854-02
68	Stk	Blower Shaft	70-42564-03	70-42564-03	70-42564-03	70-42564-03	70-42564-03
69		Blower Connector Angles (3)	AE-90798-01	AE-90798-01	AE-90798-01	AE-90798-01	AE-90798-01
70		Motor Mount	AE-90710-03	AE-90710-03	AE-90710-03	AE-90710-03	AE-90710-03
71	Stk	Blower Motor - C/D Voltages	51-42537-01	51-42537-01	51-102826-01	51-102826-06	51-102826-02
71	Stk	Blower Motor - Y Voltage	51-42537-02	51-42537-02	51-42574-01	51-102826-08	51-102826-04
72	Stk	Variable Sheave	71-42538-02	71-42538-02	71-40427-04	71-104625-11	71-40427-59
73	Stk	Belt	71-40438-43	71-40438-42	71-40438-51	71-40438-50	71-40438-54
74 a	Stk	Fixed Sheave	71-100774-08	71-100774-09	71-100774-06	71-104627-16	71-100774-06
74 b		Key	94-42551-09	94-42551-09	94-42551-09	94-42551-09	94-42551-09
74c	Stk	Bushing for Sheave w/Screws	71-100773-01	71-100773-01	71-100773-01	71-104629-02	71-100773-01

No.	Notes	MODEL TECHNICAL VARIATION COOLING CAPACITY DRIVE PACKAGE	RLNL-	RLNL-	RLNL-	RLNL-	RLNL-
			C 180 M	C 210 M	C 240 M	C 241 M	C 300 M
BLOWER ASSEMBLY GROUP - BELT DRIVE							
64	Stk	Blower Assembly - Includes Items 65 and 66 (2)	AS-90757-06	AS-90757-06	AS-90757-06	AS-90757-06	AS-90757-06
65	Stk	Blower Wheel (2)	70-42564-02	70-42564-02	70-42564-02	70-42564-02	70-42564-02
66		Bearing Frame Tri-Arm (4)	70-42284-04	70-42284-04	70-42284-04	70-42284-04	70-42284-04
67		Bearing with Bearing Lock (4)	70-41854-02	70-41854-02	70-41854-02	70-41854-02	70-41854-02
68	Stk	Blower Shaft	70-42564-03	70-42564-03	70-42564-03	70-42564-03	70-42564-03
69		Blower Connector Angles (3)	AE-90798-01	AE-90798-01	AE-90798-01	AE-90798-01	AE-90798-01
70		Motor Mount	AE-90710-03	AE-90710-03	AE-90710-03	AE-90710-03	AE-90710-03
71	Stk	Blower Motor - C/D Voltages	51-102826-01	51-102826-01	51-102826-02	51-102826-07	51-102826-03
71	Stk	Blower Motor - Y Voltage	51-42574-01	51-42574-01	51-102826-04	51-102826-09	51-102826-05
72	Stk	Variable Sheave	71-40427-04	71-40427-04	71-40427-59	71-104625-14	71-40427-60
73	Stk	Belt	71-40438-46	71-40438-46	71-40438-54	71-40438-54	71-102847-01
74 a	Stk	Fixed Sheave	71-100774-08	71-100774-08	71-100774-06	71-104627-17	71-100774-07
74 b		Key	94-42551-09	94-42551-09	94-42551-09	94-42551-09	94-42551-09
74c	Stk	Bushing for Sheave w/Screws	71-100773-01	71-100773-01	71-100773-01	71-104629-02	71-100773-01

No.	Notes	MODEL	RLNL-	RLNL-	RLNL-	RLNL-
		Technical Variations Cooling Capacity	C 036	C 042	C 048	C 060
COIL GROUP						
EVAPORATOR COIL:						
80	Stk	Evaporator Coil (Before F4613)	AS-102260-03	AS-102351-03	AS-102352-03	AS-102353-03
80	Stk	Evaporator Coil (On or After F4613)	AS-102260-13	AS-102351-13	AS-102352-13	AS-102353-13
81		Top Air Stop	AE-58933-01	AE-58933-01	AE-58933-01	AE-58933-01
82		Top Coil Support	AE-58941-01	AE-58941-01	AE-58941-01	AE-58941-01
83	Stk	Indoor Coil Drain Pan	68-23559-01	68-23559-01	68-23559-01	68-23559-01
85		Filter Channels (Center is two channels back-to-back) (3)	AE-58934-01	AE-58934-01	AE-58934-01	AE-58934-01
		Filter Keeper	AE-59168-01	AE-59168-01	AE-59168-01	AE-59168-01
86		Filter - Disposable 16x25x1 (2)	54-17531-10	54-17531-10	54-17531-10	54-17531-10
88		Header Assembly	82-101745-01	82-101745-02	82-101745-02	82-101745-03
Important Note: Different manufacturers of TXV were used on this unit, and the exact part number must be used when making repair. To obtain the correct part number of TXV either: 1) Provide the part number of TXV assembly by examining unit, or 2) Provide unit model number and TXV manufacturer. (See attached TXV identification guide for assistance.)						
89	Stk	TXV (Sporlan)	61-102257-01	61-102257-02	61-102257-03	61-102257-04
89	Stk	TXV (Emerson)	61-102258-01	61-102258-02	61-102258-03	61-102258-04
CONDENSER COIL:						
84	Stk	Condenser Coil	AS-101714-03	AS-101715-01	AS-101716-01	AS-101717-01

No.	Notes	MODEL TECHNICAL VARIATION COOLING CAPACITY	RLNL- C 072	RLNL- C 073	RLNL- C 085	RLNL- C 090
COIL GROUP						
EVAPORATOR COIL:						
42	Stk	Evaporator Coil	AS-90656-70	AS-90656-88	AS-90656-76	AS-90656-68
	Stk	Distributor / Flowcheck Piston Assembly	61-102809-94	N/A	61-102912-98	N/A
	Stk	Flowcheck Piston Kit	61-25414-94	N/A	N/A	N/A
	Stk	Flowcheck Distributor	61-26113-35	N/A	N/A	N/A
	Stk	TXV - Circuit #1 (Before Date Code Fxxxx indicated)	N/A	61-101351-13 (F0514)	N/A	61-101351-11 (F1114)
	Stk	TXV - Circuit #1 (On or After Date Code Fxxxx indicated)	N/A	61-42662-19 (F0514)	N/A	61-42662-20 (F1114)
	Stk	TXV - Circuit #2 (Before Date Code Fxxxx indicated)	N/A	N/A	N/A	61-101351-11 (F1114)
	Stk	TXV - Circuit #2 (On or After Date Code Fxxxx indicated)	N/A	N/A	N/A	61-42662-20 (F1114)
		Bulb Strap Kit - TXV (2)	N/A	N/A	N/A	64-101357-01
43	Stk	Drain Pan - Removable	68-102699-02	68-102699-02	68-102699-02	68-102699-02
FILTER PIECES:						
44		Filter Frame	AE-90606-11	AE-90606-11	AE-90606-11	AE-90606-11
45		Air Stop - Bottom	AE-102712-10	AE-102712-10	AE-102712-10	AE-102712-10
46		Air Stop - Side	AE-102712-06	AE-102712-06	AE-102712-06	AE-102712-06
47		Top Air Stop Assy	AS-90604-06	AS-90604-06	AS-90604-06	AS-90604-06
48		Filter Channel (2)	AE-102712-08	AE-102712-08	AE-102712-08	AE-102712-08
49		Filter Slide (2)	AE-102712-11	AE-102712-11	AE-102712-11	AE-102712-11
50		Filter (6)	54-42541-01	54-42541-01	54-42541-01	54-42541-01
CONDENSER COIL:						
37a	Stk	Condenser Coil	AS-102704-03	AS-102704-03	AS-102704-03	AS-102704-03
37b	Stk	Condenser Coil	N/A	N/A	AS-102839-03	AS-102704-03
38		Front Air Stop	AE-90706-19	AE-90706-19	AE-90706-19	AE-90706-19
39		Rear Air Stop	AE-90706-18	AE-90706-18	AE-90706-18	AE-90706-18
40a,b		Bottom Retainer (2)	N/A	N/A	N/A	AE-90700-03
40a		Micro-Channel Coil Mounting Base - Left	N/A	N/A	N/A	N/A
40b		Micro-Channel Coil Mounting Base - Right	N/A	N/A	N/A	N/A
41a		Top Support - Condenser Coil	N/A	N/A	N/A	AE-90612-09
41b		Top Support - Condenser Bulkhead	N/A	N/A	N/A	AE-90612-03
		Liquid Line Filter Drier	83-22755-05 (1)	83-22755-10 (1)	83-40386-05 (1)	83-22755-05 (2)
		Strap - Filter Drier	N/A	N/A	N/A	AE-102132-01 (2)
		High Pressure Control	See Compressor Group			
		Low Pressure Control	See Compressor Group			

No.	Notes	MODEL TECHNICAL VARIATION COOLING CAPACITY	RLNL- C 102	RLNL- C 120	RLNL- C 150	RLNL- C 151
COIL GROUP						
EVAPORATOR COIL:						
42	Stk	Evaporator Coil	AS-90656-77	AS-90656-69	AS-90656-75	AS-90656-75
	Stk	TXV - Circuit #1 (Before Date Code Fxxxx indicated)	61-101351-12 (F1514)	61-101351-13 (F0514)	61-101351-14	61-101351-14
	Stk	TXV - Circuit #1 (On or After Date Code Fxxxx indicated)	61-42662-18 (F1514)	61-42662-19 (F0514)	61-101351-14	61-101351-14
	Stk	TXV - Circuit #2 (Before Date Code Fxxxx indicated)	61-101351-12 (F1514)	61-101351-13 (F0514)	61-101351-14	61-101351-14
	Stk	TXV - Circuit #2 (On or After Date Code Fxxxx indicated)	61-42662-18 (F1514)	61-42662-19 (F0514)	61-101351-14	61-101351-14
		Bulb Strap Kit - TXV (2)	64-101357-01	64-101357-01	64-101357-01	64-101357-01
43	Stk	Drain Pan - Removable	68-102699-02	68-102699-02	68-102699-02	68-102699-02
FILTER PIECES:						
44		Filter Frame	AE-90606-11	AE-90606-11	AE-90606-11	AE-90606-11
45		Air Stop - Bottom	AE-102712-10	AE-102712-10	AE-102712-10	AE-102712-10
46		Air Stop - Side	AE-102712-06	AE-102712-06	AE-102712-06	AE-102712-06
47		Top Air Stop Assy	AS-90604-06	AS-90604-06	AS-90604-06	AS-90604-06
48		Filter Channel (2)	AE-102712-08	AE-102712-08	AE-102712-08	AE-102712-08
49		Filter Slide (2)	AE-102712-11	AE-102712-11	AE-102712-11	AE-102712-11
50		Filter (6)	54-42541-01	54-42541-01	54-42541-01	54-42541-01
CONDENSER COIL:						
37a	Stk	Condenser Coil	AS-90656-25	AS-90656-42	65-101478-01	65-101478-08
37b	Stk	Condenser Coil	AS-90656-25	AS-90656-42	65-101478-01	65-101478-08
38		Front Air Stop	AE-90706-19	AE-90706-19	N/A	N/A
39		Rear Air Stop	AE-90706-18	AE-90706-18	N/A	N/A
40a,b		Bottom Retainer (2)	AE-90700-02	AE-90700-02	N/A	N/A
40a		Micro-Channel Coil Mounting Base - Left	N/A	N/A	68-102752-01	68-102752-01
40b		Micro-Channel Coil Mounting Base - Right	N/A	N/A	68-102752-02	68-102752-02
41a		Top Support - Condenser Coil	AE-90612-02	AE-90612-02	AE-90612-13	AE-90612-13
41b		Top Support - Condenser Bulkhead	AE-90612-03	AE-90612-03	AE-90612-05	AE-90612-05
		Low Ambient Assembly	AS-103034-01	AS-103034-01	AS-103034-01	AS-103034-01
		Liquid Line Filter Drier	83-22755-05 (2)	83-22755-05 (2)	83-22755-05 (2)	83-22755-05 (2)
		Strap - Filter Drier	AE-102132-01 (2)	AE-102132-01 (2)	AE-102132-01 (2)	AE-102132-01 (2)
		High Pressure Control	See Compressor Group			
		Low Pressure Control	See Compressor Group			

No.	Notes	MODEL TECHNICAL VARIATION COOLING CAPACITY	RLNL-C 180	RLNL-C 210	RLNL-C 240	RLNL-C 241	RLNL-C 300	
COIL GROUP (Granite/Steel Gray, After F4411)								
EVAPORATOR COIL GROUP:								
40		Air Flow Panel	AS-90828-02H	AS-90828-02H	AS-90828-02H	AE-90828-02HT	AS-90828-02H	
42	Stk	Complete Coil - Indoor	AS-102821-03	AS-102821-03	AS-102652-03	AS-104258-03	AS-102428-03	
	Stk	TXV/Distributor Assembly - Circuit #1	61-102845-01	61-102845-01	61-102687-01	61-102815-01	61-102815-01	
	Stk	TXV/Distributor Assembly - Circuit #2	61-102845-01	61-102845-01	61-102687-01	61-102815-01	61-102815-01	
43	Stk	Drain Pan - Removable	68-102699-01	68-102699-01	68-102699-01	68-102699-01	68-102699-01	
FILTER PIECES:								
44		Filter Frame	AE-90606-10	AE-90606-10	AE-90606-10	AE-90606-10	AE-90606-10	
45	2	Air Stop - Bottom (Before F1811) - See Note 2	AE-102712-05	AE-102712-05	AE-102712-05	N/A	AE-102712-05	
45		Air Stop - Bottom (After F1811)	AE-102712-17	AE-102712-17	AE-102712-17	AE-102712-17	AE-102712-17	
46	2	Air Stop - Side (Before F1811) - See Note 2	AE-102712-01	AE-102712-01	AE-102712-01	N/A	AE-102712-01	
46		Air Stop - Side (After F1811)	AE-102712-14	AE-102712-14	AE-102712-14	AE-102712-14	AE-102712-14	
47		Top Air Stop Assembly	AS-90604-04	AS-90604-04	AS-90604-04	AS-90604-04	AS-90604-04	
48	2	Filter Channel (2) (Before F1811) - See Note 2	AE-102712-03	AE-102712-03	AE-102712-03	N/A	AE-102712-03	
48		Filter Channel (2) (After F1811)	AE-102712-16	AE-102712-16	AE-102712-16	AE-102712-16	AE-102712-16	
49	2	Filter Slide (2) (Before F1811) - See Note 2	AE-102712-02	AE-102712-02	AE-102712-02	N/A	AE-102712-02	
49		Filter Slide (2) (After F1811)	AE-102712-15	AE-102712-15	AE-102712-15	AE-102712-15	AE-102712-15	
50		Filter - 20 in. x 25 in. x 2 in. (8)	54-42541-04	54-42541-04	54-42541-04	54-42541-04	54-42541-04	
CONDENSER COIL:								
37	Stk	Condenser Coil Assembly (2)	AS-102647-03	AS-103204-03	AS-102666-03	N/A	AS-102666-03	
	Stk	Micro Channel Coil (2)	N/A	N/A	N/A	65-101478-09	N/A	
38a		Air Stop - Front	AE-90706-13	AE-90706-13	AE-90706-13	AE-90706-25	AE-90706-13	
38b		Corner Brace - Top Front	AS-90706-16H	AS-90706-16H	AS-90706-16H	AE-90706-16HT	AS-90706-16H	
38c		Post - Front	AS-90706-14H	AS-90706-14H	AS-90706-14H	AE-90706-22HT	AS-90706-14H	
39a		Air Stop - Rear	AE-90706-12	AE-90706-12	AE-90706-12	AE-90706-24	AE-90706-12	
39b		Corner Brace - Top Rear	AS-90706-17H	AS-90706-17H	AS-90706-17H	AE-90706-17HT	AS-90706-17H	
39c		Post - Rear	AS-90706-15H	AS-90706-15H	AS-90706-15H	AE-90706-23HT	AS-90706-15H	
41		Air Stop- Top Right	AS-90753-08H	AS-90753-08H	AS-90753-08H	AE-90753-08HT	AS-90753-08H	
41a		Top Support - Inner Condenser Coil (2)	AE-90612-21	AE-90612-08	AE-90612-08	AE-90612-28	AE-90612-08	
41b		Top Support - Outer Condenser Coil	AE-90612-20	AE-90612-11	AE-90612-11	AE-90612-20	AE-90612-11	
41c		Top Support - Condenser Bulkhead	AE-90612-18	AE-90612-06	AE-90612-06	AE-90612-27	AE-90612-06	
		Filter Drier - Liquid Line (2)	83-22755-11	83-22755-11	83-22755-11	83-22755-19	83-22755-11	
		High Pressure Control	See Compressor Group					
		Low Pressure Control	See Compressor Group					

No.	Notes	MODEL TECHNICAL VARIATION COOLING CAPACITY	RLNL- C 180	RLNL- C 210	RLNL- C 240	RLNL- C 300
COIL GROUP (Neutra Green, Before F4411)						
EVAPORATOR COIL GROUP:						
40		Air Flow Panel	AS-90828-02A	AS-90828-02A	AS-90828-02A	AS-90828-02A
42	Stk	Complete Coil - Indoor	AS-102821-03	AS-102821-03	AS-102652-03	AS-102428-03
	Stk	TXV/Distributor Assembly - Circuit #1	61-102845-01	61-102845-01	61-102687-01	61-102815-01
	Stk	TXV/Distributor Assembly - Circuit #2	61-102845-01	61-102845-01	61-102687-01	61-102815-01
43	Stk	Drain Pan - Removable	68-102699-01	68-102699-01	68-102699-01	68-102699-01
FILTER PIECES:						
44		Filter Frame	AE-90606-10	AE-90606-10	AE-90606-10	AE-90606-10
45	2	Air Stop - Bottom (Before F1811) - See Note 2	AE-102712-05	AE-102712-05	AE-102712-05	AE-102712-05
45		Air Stop - Bottom (After F1811)	AE-102712-17	AE-102712-17	AE-102712-17	AE-102712-17
46	2	Air Stop - Side (Before F1811) - See Note 2	AE-102712-01	AE-102712-01	AE-102712-01	AE-102712-01
46		Air Stop - Side (After F1811)	AE-102712-14	AE-102712-14	AE-102712-14	AE-102712-14
47		Top Air Stop Assembly	AS-90604-04	AS-90604-04	AS-90604-04	AS-90604-04
48	2	Filter Channel (2) (Before F1811) - See Note 2	AE-102712-03	AE-102712-03	AE-102712-03	AE-102712-03
48		Filter Channel (2) (After F1811)	AE-102712-16	AE-102712-16	AE-102712-16	AE-102712-16
49	2	Filter Slide (2) (Before F1811) - See Note 2	AE-102712-02	AE-102712-02	AE-102712-02	AE-102712-02
49		Filter Slide (2) (After F1811)	AE-102712-15	AE-102712-15	AE-102712-15	AE-102712-15
50		Filter - 20 in. x 25 in. x 2 in. (8)	54-42541-04	54-42541-04	54-42541-04	54-42541-04
CONDENSER COIL:						
37	Stk	Condenser Coil Assembly (2)	AS-102647-03	AS-103204-03	AS-102666-03	AS-102666-03
38a		Air Stop - Front	AE-90706-13	AE-90706-13	AE-90706-13	AE-90706-13
38b		Corner Brace - Top Front	AS-90706-16A	AS-90706-16A	AS-90706-16A	AS-90706-16A
38c		Post - Front	AS-90706-14A	AS-90706-14A	AS-90706-14A	AS-90706-14A
39a		Air Stop - Rear	AE-90706-12	AE-90706-12	AE-90706-12	AE-90706-12
39b		Corner Brace - Top Rear	AS-90706-17A	AS-90706-17A	AS-90706-17A	AS-90706-17A
39c		Post - Rear	AS-90706-15A	AS-90706-15A	AS-90706-15A	AS-90706-15A
41		Air Stop- Top Right	AS-90753-08A	AS-90753-08A	AS-90753-08A	AS-90753-08A
41a		Top Support - Inner Condenser Coil (2)	AE-90612-21	AE-90612-08	AE-90612-08	AE-90612-08
41b		Top Support - Outer Condenser Coil	AE-90612-20	AE-90612-11	AE-90612-11	AE-90612-11
41c		Top Support - Condenser Bulkhead	AE-90612-18	AE-90612-06	AE-90612-06	AE-90612-06
		Filter Drier - Liquid Line (2)	83-22755-11	83-22755-11	83-22755-11	83-22755-11
		High Pressure Control	See Compressor Group			
		Low Pressure Control	See Compressor Group			

No.	Notes	MODEL TECHNICAL VARIATION COOLING CAPACITY ELECTRICAL DESIGNATION	RLNL- C 036 C	RLNL- C 036 D
COMPRESSOR GROUP				
		Compressor ID:	8220	8221
79	Stk	Compressor	55-102045-05S	55-102045-04S
	Stk	Compressor Wiring Harness (Molded Plug)	45-100834-10	45-100834-10

No.	Notes	MODEL TECHNICAL VARIATION COOLING CAPACITY ELECTRICAL DESIGNATION	RLNL- C 042 C	RLNL- C 042 D
COMPRESSOR GROUP				
		Compressor ID:	8222	8223
79	Stk	Compressor	55-102045-16S	55-102045-25S
	Stk	Compressor Wiring Harness (Molded Plug)	45-100834-10	45-100834-10

No.	Notes	MODEL TECHNICAL VARIATION COOLING CAPACITY ELECTRICAL DESIGNATION	RLNL- C 048 C	RLNL- C 048 D
COMPRESSOR GROUP				
		Compressor ID:	8224	8225
79	Stk	Compressor	55-102045-11S	55-102045-10S
	Stk	Compressor Wiring Harness (Molded Plug)	45-100834-10	45-100834-10

No.	Notes	MODEL TECHNICAL VARIATION COOLING CAPACITY ELECTRICAL DESIGNATION	RLNL- C 060 C	RLNL- C 060 D
COMPRESSOR GROUP				
		Compressor ID:	8226	8227
79	Stk	Compressor	55-102045-22S	55-102045-23S
	Stk	Compressor Wiring Harness (Molded Plug)	45-100834-10	45-100834-10

No.	Notes	MODEL TECHNICAL VARIATION COOLING CAPACITY ELECTRICAL DESIGNATION	RLNL- C 072 C	RLNL- C 072 D	RLNL- C 072 Y	RLNL- C 073 C	RLNL- C 073 D	RLNL- C 073 Y
COMPRESSOR GROUP								
		Compressor ID:	7916	7917	7918	8597	8598	8599
75	Stk	Compressor	55-102045-37S	55-102045-38S	55-102045-39S	55-102471-21S	55-102471-22S	55-102471-23S
	Stk	Crankcase Heater	44-17402-10	44-17402-11	44-17402-12	44-17402-10	44-17402-11	44-17402-12
	Stk	Plug Harness - Compressor	45-102708-01	45-102708-01	45-102708-01	45-102708-01	45-102708-01	45-102708-01
	Stk	High Pressure Control	47-23699-04	47-23699-04	47-23699-04	47-23699-04	47-23699-04	47-23699-04
	Stk,1	Low Pressure Control - See Note 1	47-101529-09	47-101529-09	47-101529-09	47-101529-09	47-101529-09	47-101529-09

No.	Notes	MODEL TECHNICAL VARIATION COOLING CAPACITY ELECTRICAL DESIGNATION	RLNL- C 085 C	RLNL- C 085 D	RLNL- C 085 Y	RLNL- C 090 C	RLNL- C 090 D	RLNL- C 090 Y
COMPRESSOR GROUP								
		Compressor ID:	7910	7911	7912	7897	7898	7899
75	Stk	Compressor #1	55-102045-43S	55-102045-45S	55-102045-44S	55-102045-08S	55-102045-07S	55-102045-42S
75	Stk	Compressor #2	N/A	N/A	N/A	55-102045-08S	55-102045-07S	55-102045-42S
	Stk	Crankcase Heater	44-17402-10	44-17402-11	44-17402-12	N/A	N/A	N/A
	Stk	Plug Harness - Compressor #1	45-102708-01	45-102708-01	45-102708-01	45-102708-01	45-102708-01	45-102708-01
	Stk	Plug Harness - Compressor #2	N/A	N/A	N/A	45-102708-02	45-102708-02	45-102708-02
	Stk	High Pressure Control	47-23699-04	47-23699-04	47-23699-04	47-23699-04	47-23699-04	47-23699-04
	Stk,1	Low Pressure Control (2) - See Note 1	47-101529-09	47-101529-09	47-101529-09	47-101529-09	47-101529-09	47-101529-09

No.	Notes	MODEL TECHNICAL VARIATION COOLING CAPACITY ELECTRICAL DESIGNATION	RLNL- C 102 C	RLNL- C 102 D	RLNL- C 102 Y	RLNL- C 120 C	RLNL- C 120 D	RLNL- C 120 Y
COMPRESSOR GROUP								
		Compressor ID:	7940	7941	7942	7946	7947	7948
75	Stk	Compressor #1	55-102045-34S	55-102045-35S	55-102045-36S	55-102045-27S	55-102045-28S	55-102045-41S
75	Stk	Compressor #2	55-102045-34S	55-102045-35S	55-102045-36S	55-102045-27S	55-102045-28S	55-102045-41S
	Stk	Plug Harness - Compressor #1	45-102708-01	45-102708-01	45-102708-01	45-102708-01	45-102708-01	45-102708-01
	Stk	Plug Harness - Compressor #2	45-102708-02	45-102708-02	45-102708-02	45-102708-02	45-102708-02	45-102708-02
	Stk	High Pressure Control	47-23699-04	47-23699-04	47-23699-04	47-23699-04	47-23699-04	47-23699-04
	Stk,1	Low Pressure Control (2) - See Note 1	47-101529-09	47-101529-09	47-101529-09	47-101529-09	47-101529-09	47-101529-09
		Compressor ID:	8789	8790	8791			
75	Stk	Compressor #1	55-102045-93S	55-102045-94S	55-102045-95S			
75	Stk	Compressor #2	55-102045-93S	55-102045-94S	55-102045-95S			
	Stk	Plug Harness - Compressor #1	45-102708-01	45-102708-01	45-102708-01			
	Stk	Plug Harness - Compressor #2	45-102708-02	45-102708-02	45-102708-02			
	Stk	High Pressure Control	47-23699-04	47-23699-04	47-23699-04			
	Stk,1	Low Pressure Control (2) - See Note 1	47-101529-09	47-101529-09	47-101529-09			

No.	Notes	MODEL TECHNICAL VARIATION COOLING CAPACITY ELECTRICAL DESIGNATION	RLNL- C 150 C	RLNL- C 150 D	RLNL- C 150 Y	RLNL- C 151 C	RLNL- C 151 D	RLNL- C 151 Y
COMPRESSOR GROUP								
		Compressor ID:	7900	7901	7902	8642	8643	8644
75	Stk	Compressor #1	55-102471-14	55-102471-16	55-102471-15	55-102471-14S	55-102471-16S	55-102471-15S
75	Stk	Compressor #2	55-102471-18	55-102471-19	55-102471-17	55-102471-18S	55-102471-19S	55-102471-17S
	Stk	Plug Harness - Compressor #1	45-102708-03	45-102708-03	45-102708-03	45-102708-03	45-102708-03	45-102708-03
	Stk	Plug Harness - Compressor #2	45-102708-04	45-102708-04	45-102708-04	45-102708-04	45-102708-04	45-102708-04
	Stk	High Pressure Control	47-23699-04	47-23699-04	47-23699-04	47-23699-04	47-23699-04	47-23699-04
	Stk,1	Low Pressure Control (2) - See Note 1	47-101529-09	47-101529-09	47-101529-09	47-101529-09	47-101529-09	47-101529-09

No.	Notes	MODEL TECHNICAL VARIATION COOLING CAPACITY ELECTRICAL DESIGNATION	RLNL- C 180 C	RLNL- C 210 C	RLNL- C 240 C	RLNL- C 241 C	RLNL- C 300 C
COMPRESSOR GROUP							
		Compressor:	7882	8053	7885	9526	7888
75	Stk	Compressor #1	55-23156-20S	55-102471-03S	55-102471-02S	55-102471-01S	55-102471-13S
75	Stk	Compressor #2	55-23156-20S	55-102471-03S	55-102471-03S	55-102471-24S	55-102471-13S
	Stk	Plug Harness - Compressor #1	45-42522-73	45-42522-73	45-42522-73	45-42522-73	45-42522-73
	Stk	Plug Harness - Compressor #2	45-42522-72	45-42522-72	45-42522-72	45-42522-72	45-42522-72
	Stk	High Pressure Control	47-23699-04	47-23699-04	47-23699-04	47-23699-04 (2)	47-23699-04
Stk,1		Low Pressure Control (2) - See Note 1	47-101529-09	47-101529-09	47-101529-09	47-101529-09	47-101529-09

No.	Notes	MODEL TECHNICAL VARIATION COOLING CAPACITY ELECTRICAL DESIGNATION	RLNL- C 180 D	RLNL- C 210 D	RLNL- C 240 D	RLNL- C 241 D	RLNL- C 300 D
COMPRESSOR GROUP							
		Compressor:	7883	8054	7886	9527	7889
75	Stk	Compressor #1	55-23156-21S	55-102471-07S	55-102471-09S	55-102471-04S	55-102471-08S
75	Stk	Compressor #2	55-23156-21S	55-102471-07S	55-102471-07S	55-102471-25S	55-102471-08S
	Stk	Plug Harness - Compressor #1	45-42522-73	45-42522-73	45-42522-73	45-42522-73	45-42522-73
	Stk	Plug Harness - Compressor #2	45-42522-72	45-42522-72	45-42522-72	45-42522-72	45-42522-72
	Stk	High Pressure Control	47-23699-04	47-23699-04	47-23699-04	47-23699-04 (2)	47-23699-04
Stk,1		Low Pressure Control (2) - See Note 1	47-101529-09	47-101529-09	47-101529-09	47-101529-09	47-101529-09

No.	Notes	MODEL TECHNICAL VARIATION COOLING CAPACITY ELECTRICAL DESIGNATION	RLNL- C 180 Y	RLNL- C 210 Y	RLNL- C 240 Y	RLNL- C 241 Y	RLNL- C 300 Y
COMPRESSOR GROUP							
		Compressor:	7884	8055	7887	9528	7890
75	Stk	Compressor #1	55-23156-22S	55-102471-10S	55-102471-11S	55-102471-05S	55-102471-12S
75	Stk	Compressor #2	55-23156-22S	55-102471-10S	55-102471-10S	55-102471-26S	55-102471-12S
	Stk	Plug Harness - Compressor #1	45-42522-73	45-42522-73	45-42522-73	45-42522-73	45-42522-73
	Stk	Plug Harness - Compressor #2	45-42522-72	45-42522-72	45-42522-72	45-42522-72	45-42522-72
	Stk	High Pressure Control	47-23699-04	47-23699-04	47-23699-04	47-23699-04	47-23699-04
Stk,1		Low Pressure Control (2) - See Note 1	47-101529-09	47-101529-09	47-101529-09	47-101529-09	47-101529-09

No.	Notes	MODEL TECHNICAL VARIATION COOLING CAPACITY ELECTRICAL DESIGNATION	RLNL- C 036-060 C	RLNL- C 036-060 D			
ELECTRIC HEATER KITS							
		Electric Element Kits	RXJJ-A06C	RXJJ-A06D			
		Electric Element Kits	RXJJ-A10C	RXJJ-A10D			
		Electric Element Kits	RXJJ-A12C	RXJJ-A12D			
		Electric Element Kits	RXJJ-A15C	RXJJ-A15D			
		Electric Element Kits	RXJJ-A20C	RXJJ-A20D			
		Electric Element Kits	RXJJ-A24C	RXJJ-A24D			

No.	Notes	MODEL TECHNICAL VARIATION COOLING CAPACITY ELECTRICAL DESIGNATION	RLNL- C 072-151 C	RLNL- C 072-151 C	RLNL- C 072-151 C	RLNL- C 072-151 C	RLNL- C 072-151 C
ELECTRIC HEATER KITS							
		Electric Element Kits	RXJJ-CC10C	RXJJ-CC15C	RXJJ-CC20C	RXJJ-CC30C	RXJJ-CC31C
		Electric Element Kits	RXJJ-CC40C	RXJJ-CC41C	RXJJ-CC50C		

No.	Notes	MODEL TECHNICAL VARIATION COOLING CAPACITY ELECTRICAL DESIGNATION	RLNL- C 072-151 D	RLNL- C 072-151 D	RLNL- C 072-151 D	RLNL- C 072-151 D	RLNL- C 072-151 D
ELECTRIC HEATER KITS							
		Electric Element Kits	RXJJ-CC10D	RXJJ-CC15D	RXJJ-CC20D	RXJJ-CC30D	RXJJ-CC31D
		Electric Element Kits	RXJJ-CC40D	RXJJ-CC50D			

No.	Notes	MODEL TECHNICAL VARIATION COOLING CAPACITY ELECTRICAL DESIGNATION	RLNL- C 072-151 Y	RLNL- C 072-151 Y	RLNL- C 072-151 Y	RLNL- C 072-151 Y	RLNL- C 072-151 Y
ELECTRIC HEATER KITS							
		Electric Element Kits	RXJJ-CC10Y	RXJJ-CC20Y	RXJJ-CC30Y	RXJJ-CC40Y	RXJJ-CC50Y

No.	Notes	MODEL TECHNICAL VARIATION COOLING CAPACITY ELECTRICAL DESIGNATION	RLNL- C 180-300 C	RLNL- C 180-300 C	RLNL- C 180-300 C	RLNL- C 180-300 C	
ELECTRIC HEATER KITS							
		Electric Element Kits	RXJJ-CE20C	RXJJ-CE40C	RXJJ-CE60C	RXJJ-CE75C	

No.	Notes	MODEL TECHNICAL VARIATION COOLING CAPACITY ELECTRICAL DESIGNATION	RLNL- C 180-300 D	RLNL- C 180-300 D	RLNL- C 180-300 D	RLNL- C 180-300 D	
ELECTRIC HEATER KITS							
		Electric Element Kits	RXJJ-CE20D	RXJJ-CE40D	RXJJ-CE60D	RXJJ-CE75D	

No.	Notes	MODEL TECHNICAL VARIATION COOLING CAPACITY ELECTRICAL DESIGNATION	RLNL- C 180-300 Y	RLNL- C 180-300 Y	RLNL- C 180-300 Y	RLNL- C 180-300 Y	
ELECTRIC HEATER KITS							
		Electric Element Kits	RXJJ-CE20Y	RXJJ-CE40Y	RXJJ-CE60Y	RXJJ-CE75Y	

No.	Notes	MODEL TECHNICAL VARIATION COOLING CAPACITY	RLNL- C 036-060
OPTIONS AND ACCESSORIES			
		DDC Economizer with Single Enthalpy and Barometric Relief (Neutra Green)	RXRD-TKCM3
		DDC Economizer with Single Enthalpy and Barometric Relief (Granite/Steel Gray)	AXRD-TKCM3
		DDC Economizer with Single Enthalpy, Smoke Detector and Barometric Relief (Neutra Green)	RXRD-UKCM3
		DDC Economizer with Single Enthalpy, Smoke Detector and Barometric Relief (Granite/Steel Gray)	AXRD-UKCM3
		Dual Enthalpy Kit	RXR-AR02
		CO2 Sensor	RXR-AR02
		Power Exhaust - C Voltage (Neutra Green)	RXR-BGF04C
		Power Exhaust - C Voltage (Granite/Steel Gray)	AXR-BGF04C
		Power Exhaust - D Voltage (Neutra Green)	RXR-BGF04D
		Power Exhaust - D Voltage (Granite/Steel Gray)	AXR-BGF04D
		Power Exhaust - Y Voltage (Neutra Green)	RXR-BGF04Y
		Power Exhaust - Y Voltage (Granite/Steel Gray)	AXR-BGF04Y
		Fresh Air Damper Manual (Neutra Green)	RXR-FBA1
		Fresh Air Damper Manual (Granite/Steel Gray)	AXR-FBA1
		Fresh Air Damper Motorized (Neutra Green)	RXR-FBB1
		Fresh Air Damper Motorized (Granite/Steel Gray)	AXR-FBB1
		Louver Kit - (3 Sides) (Neutra Green)	RXR-AAD01B
		Louver Kit - (3 Sides) (Granite/Steel Gray)	AXR-AAD01B
		Comfort Alert	RXR-AZ01
		BACnet Communication Card	RXR-AY01
		Lonworks Communication Card	RXR-AY02
		Low Ambient Control	RXR-A04

No.	Notes	MODEL TECHNICAL VARIATION COOLING CAPACITY	RLNL- C 072-151
ACCESSORIES			
		Louver Panel - Option (6 - 10 Ton) (Neutra Green)	RXR-AAD01C
		Louver Panel - Option (6 - 10 Ton) (Granite/Steel Gray)	AXR-AAD01C
		Carbon Dioxide Sensor	RXR-AR02
		Dual Enthalpy Kit	RXR-AV03
		Manual Fresh Air (Left Panel Mounted) (Neutra Green)	RXR-KDA1
		Manual Fresh Air (Left Panel Mounted) (Granite/Steel Gray)	AXR-KDA1
		Motor Kit for ()XR-FKDA1	RXR-AW02
		Modulating Motor Kit w/position feedback for ()XR-FKDA1	RXR-AW04
		Manual Fresh Air (Return Panel) (Neutra Green)	RXR-JDA1
		Manual Fresh Air (Return Panel) (Granite/Steel Gray)	AXR-JDA1
		Motorized Fresh Air (Return Panel) (Neutra Green)	RXR-JDB1
		Motorized Fresh Air (Return Panel) (Granite/Steel Gray)	AXR-JDB1
		Time Delay Relay - Option	RXR-A04
		Freeze Stat - Option	RXR-AM01
		Convenience Outlet - Option	RXR-AN01
		Low Ambient Control Kit (1 Per Compressor)	RXR-C02

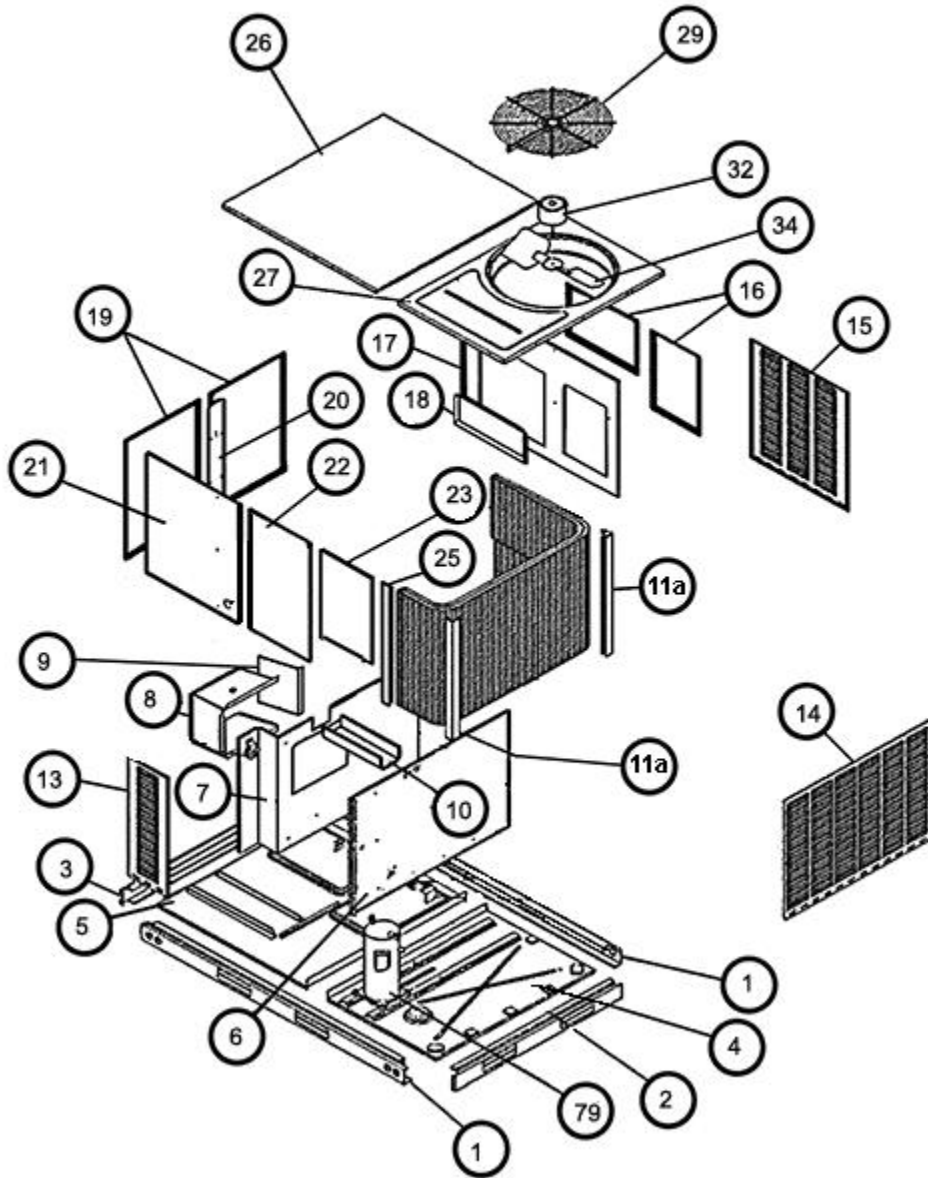
No.	Notes	MODEL TECHNICAL VARIATION COOLING CAPACITY	RLNL- C 072-151
ECONOMIZERS			
		Economizer - Single Enthalpy (Neutra Green)	RXR-PJCM3
		Economizer - Single Enthalpy (Granite/Steel Gray)	AXR-PJCM3
		Economizer - Single Enthalpy w/Smoke Detector (Neutra Green)	RXR-SJCM3
		Economizer - Single Enthalpy w/Smoke Detector (Granite/Steel Gray)	AXR-SJCM3
		Horizontal Economizer - Single Enthalpy (Neutra Green)	RXR-RJCM3
		Horizontal Economizer - Single Enthalpy (Granite/Steel Gray)	AXR-RJCM3

No.	Notes	MODEL TECHNICAL VARIATION COOLING CAPACITY	RLNL- C 072-151
POWER EXHAUST			
		Power Exhaust	RXR-BFF02C
		Power Exhaust	RXR-BFF02D
		Power Exhaust	RXR-BFF02Y

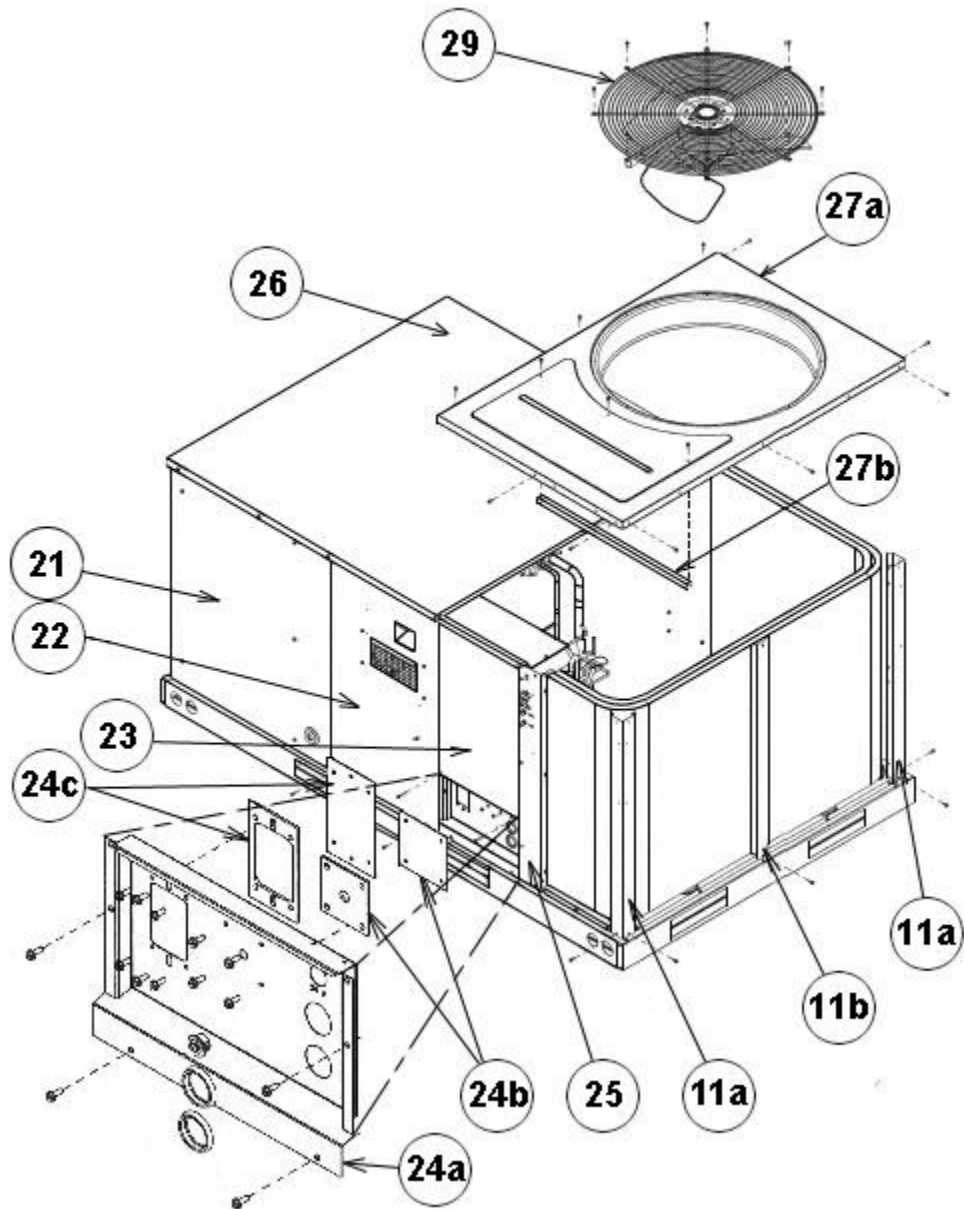
No.	Notes	MODEL TECHNICAL VARIATION COOLING CAPACITY	RLNL- C 180-300
ACCESSORIES			
		Carbon Dioxide Sensor	RXR-AR02
		Dual Enthalpy Kit	RXR-AV03
		Manual Fresh Air Damper (Neutra Green)	RXR-KFA1
		Manual Fresh Air Damper (Granite/Steel Gray)	AXR-KFA1
		Motorized Kit for ()XR-KFA1	RXR-AW03
		Modulating Motor Kit w/position feedback for ()XR-KFA1	RXR-AW05
		Unwired Convenience Outlet	RXR-AN01
		Comfort Alert (1 Per Compressor)	RXR-AZ01
		BACnet Communication Card	RXR-AY01
		LonWorks Communication Card	RXR-AY02
		Low Ambient Control Kit (1 Per Compressor)	RXRZ-C02
		Louver Panel Kit (Hail Guard) - Left and Right (Granite/Steel Gray)	AXR-AAD01L

No.	Notes	MODEL TECHNICAL VARIATION COOLING CAPACITY	RLNL- C 180-300
ECONOMIZERS			
		Downflow Economizer - Single Enthalpy (Neutra Green)	RXR-PMCM3
		Downflow Economizer - Single Enthalpy (Granite/Steel Gray)	AXR-PMCM3
		Downflow Economizer - Single Enthalpy w/Smoke Detector (Neutra Green)	RXR-SMCM3
		Downflow Economizer - Single Enthalpy w/Smoke Detector (Granite/Steel Gray)	AXR-SMCM3
		Horizontal Economizer - Single Enthalpy (Neutra Green)	RXR-RMCM3
		Horizontal Economizer - Single Enthalpy (Granite/Steel Gray)	AXR-RMCM3

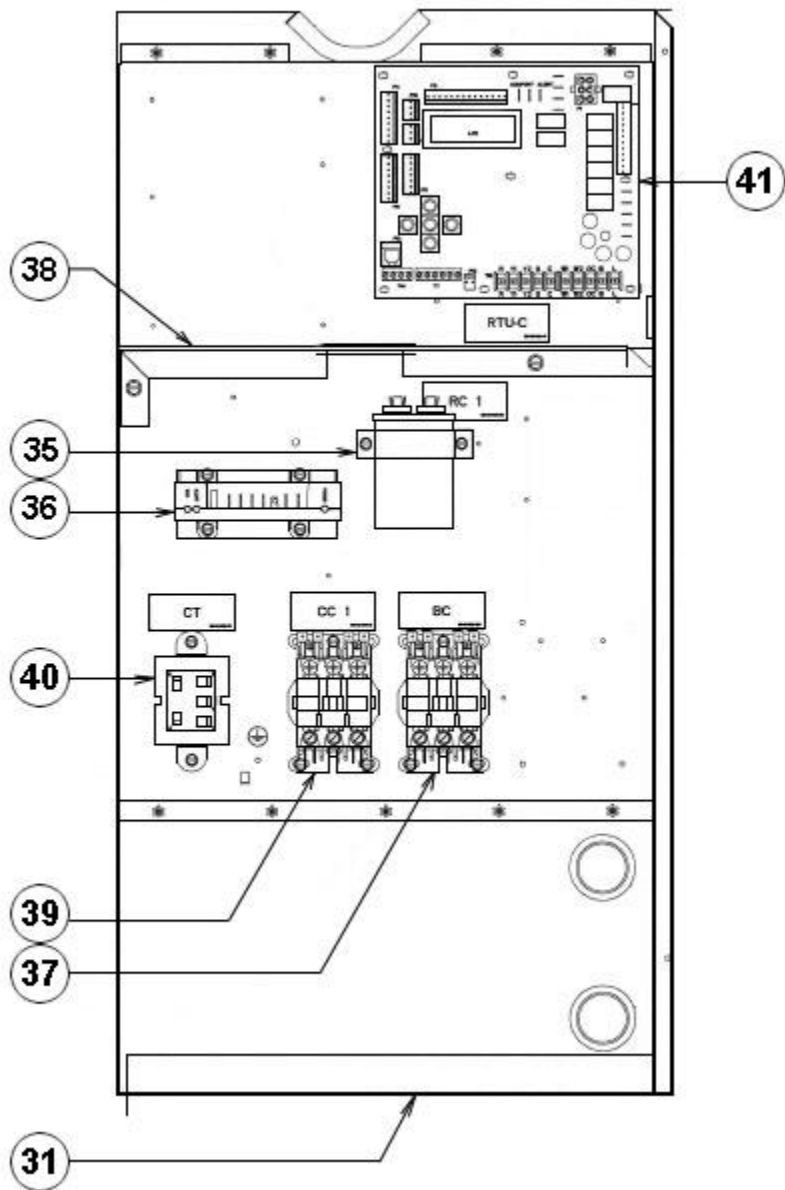
No.	Notes	MODEL TECHNICAL VARIATION COOLING CAPACITY	RLNL- C 180-300
POWER EXHAUST			
		Power Exhaust (208/230V)	RXR-BGF05C
		Power Exhaust (460V)	RXR-BGF05D
		Power Exhaust (575V)	RXR-BGF05Y



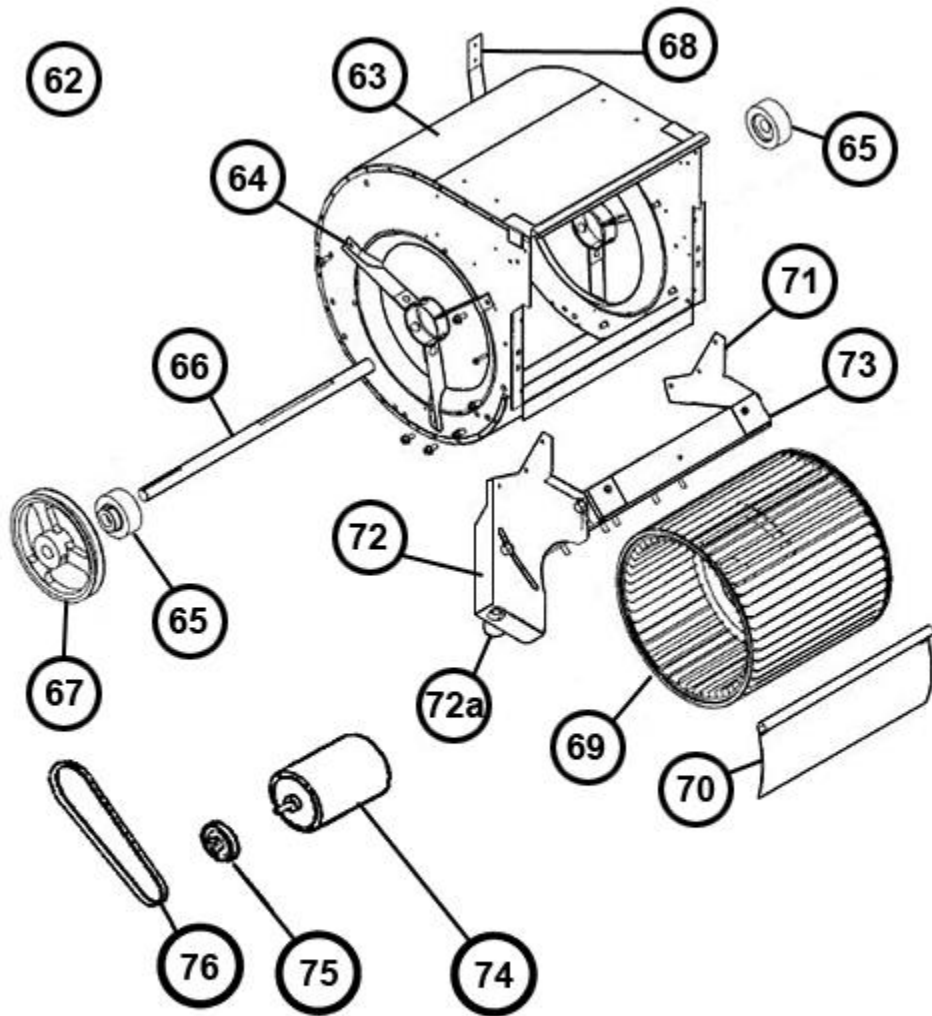
Exploded View 036-060



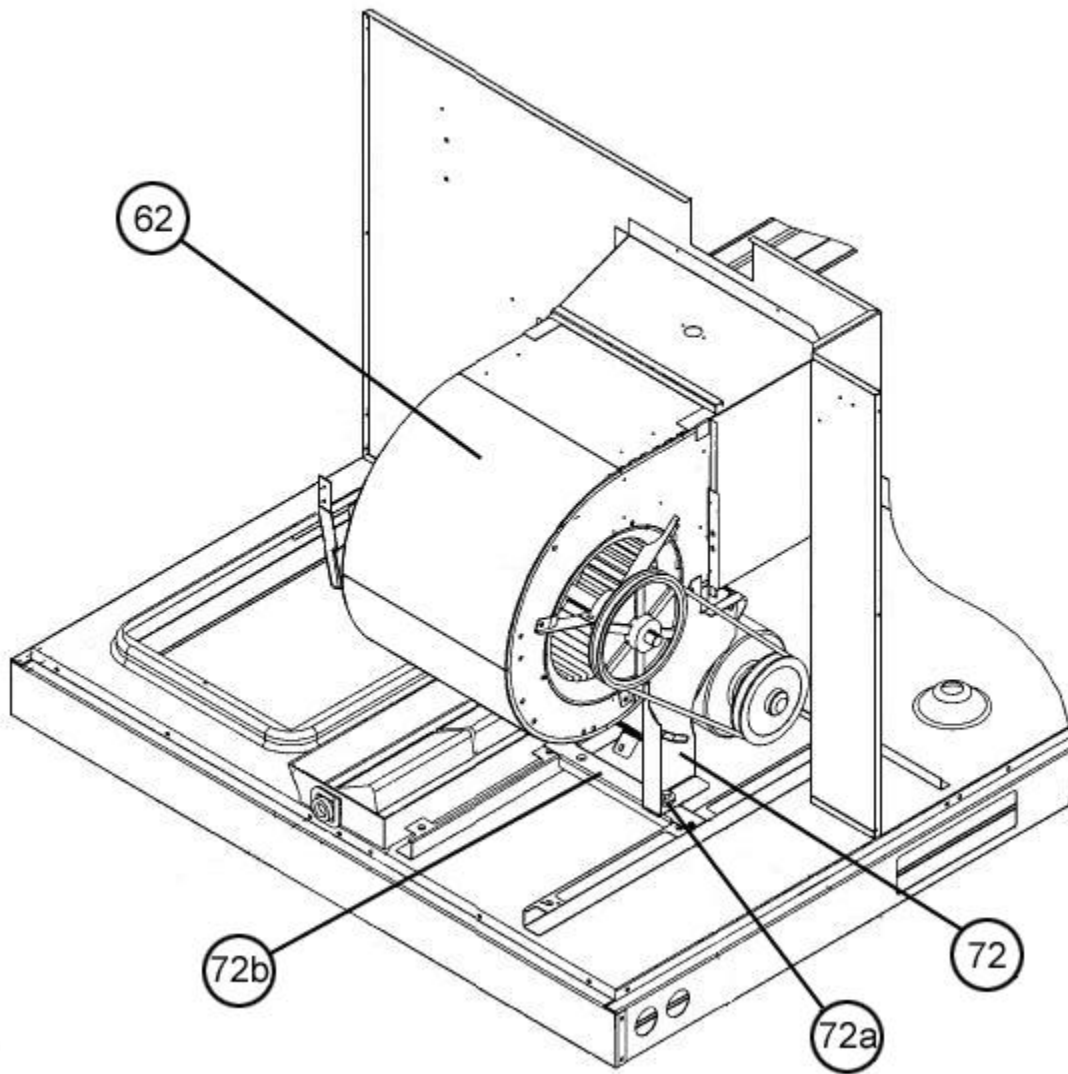
Top Panel View 036-060



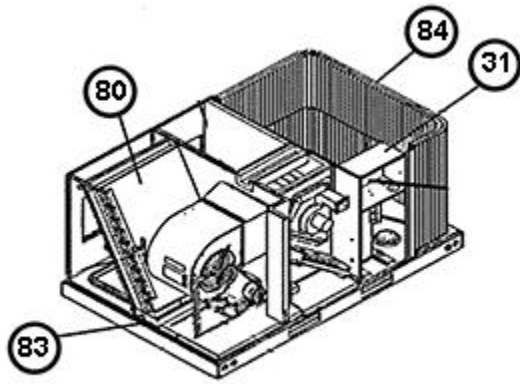
Control Box 036-060



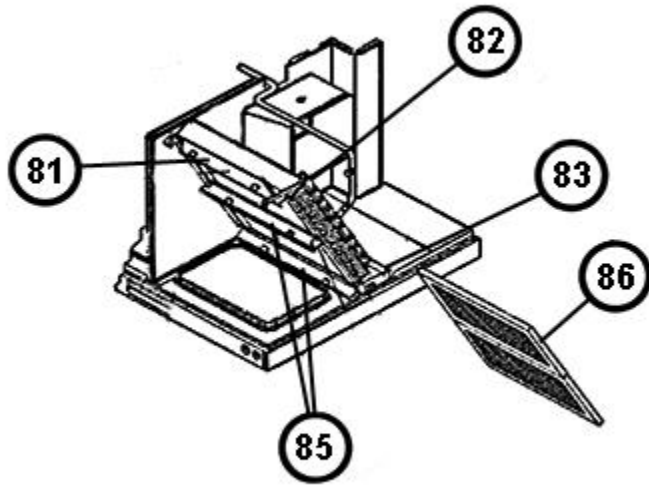
Blower Assembly 036-060



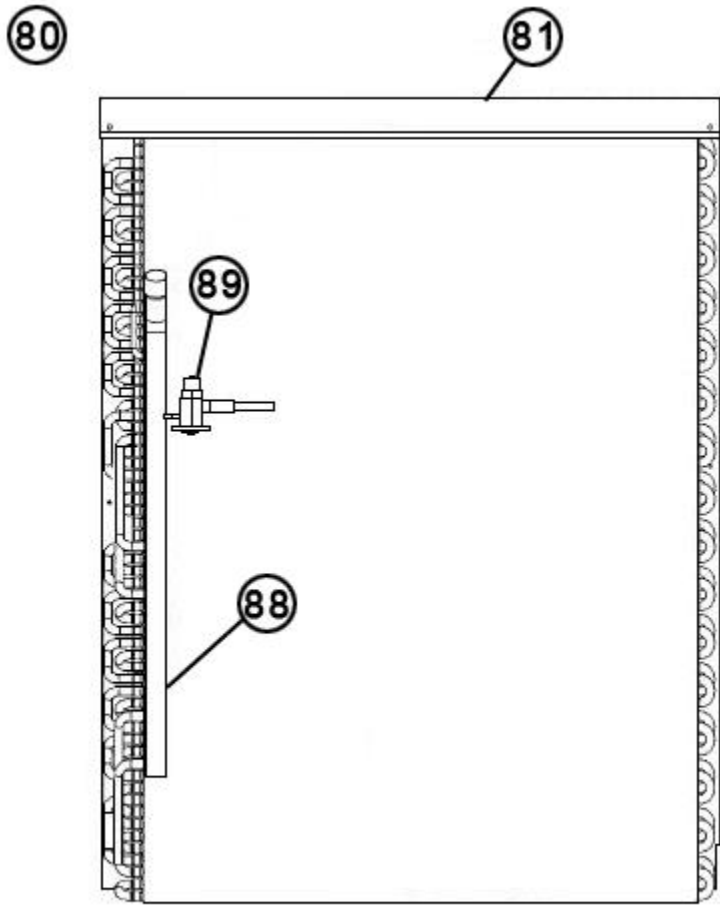
Blower Motor Mount Assembly 036-060



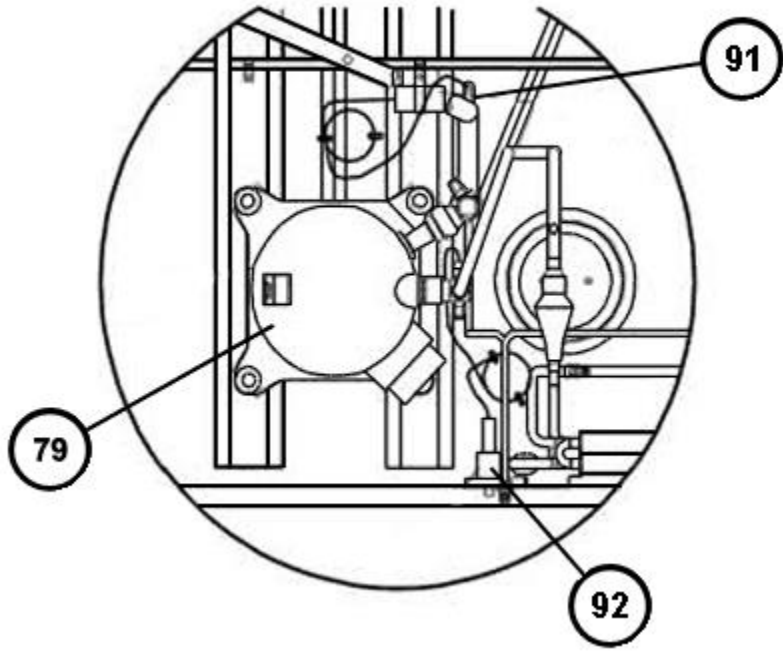
Coil Group Cut-away View 036-060



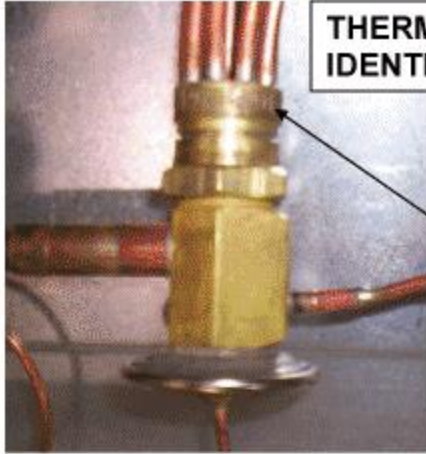
Evaporator Coil - Filter Parts 036-060



Evaporator Coil Parts 036-060



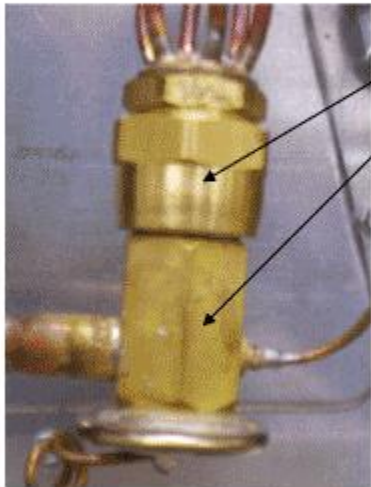
Compressor - Refrigeration Group 036-060



THERMAL EXPANSION VALVE MANUFACTURER IDENTIFICATION (For "N" Style Indoor Coils ONLY)

Sporlan Expansion Valves

Look for the name "SPORLAN" engraved on the base at the distributor body assembly.



Parker Expansion Valves

The distributor body is larger (thicker) than the expansion valve body.



Emerson Expansion Valves

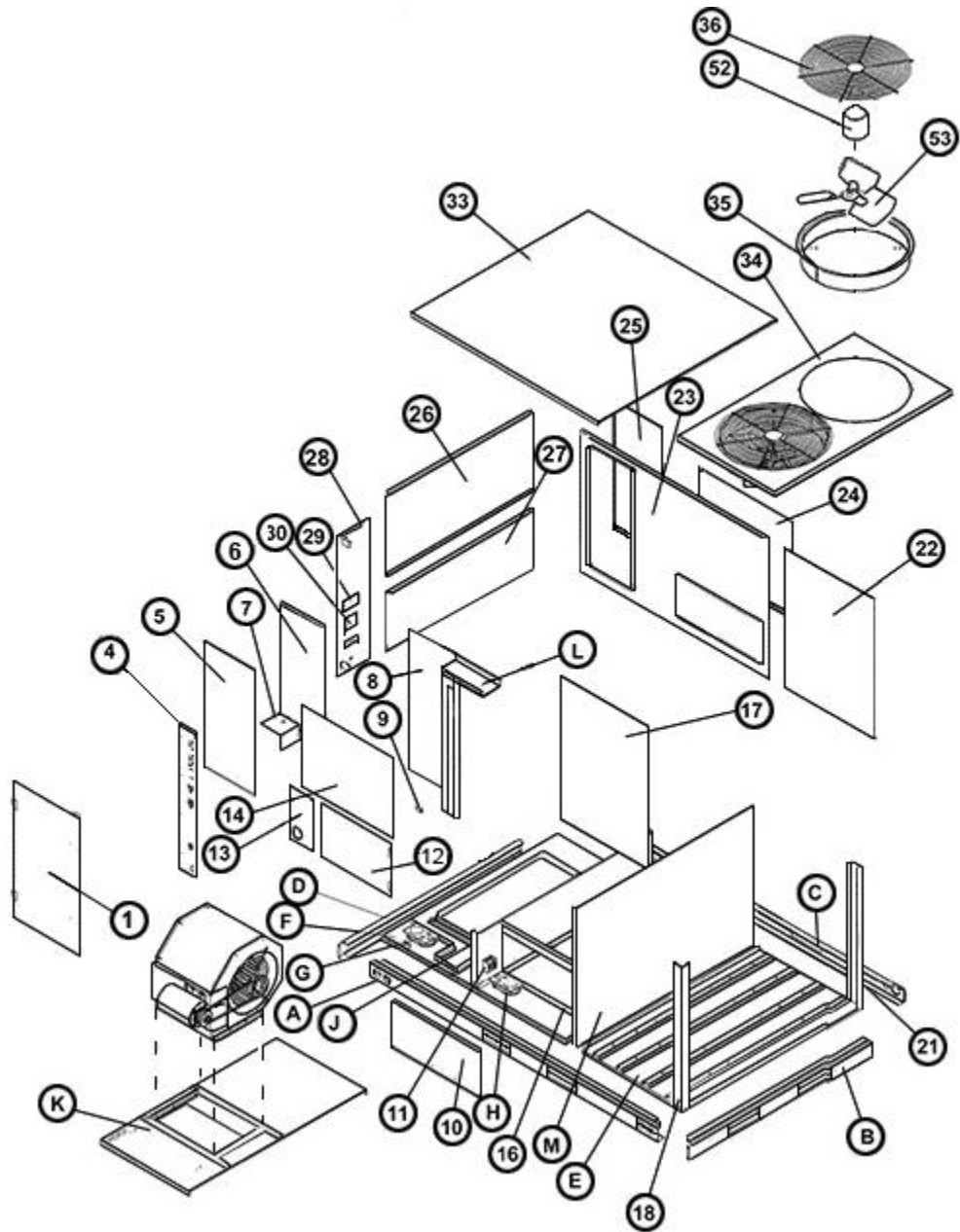
The expansion valve body is about two (2) inches long. Look between the arrows.

IMPORTANT NOTE:

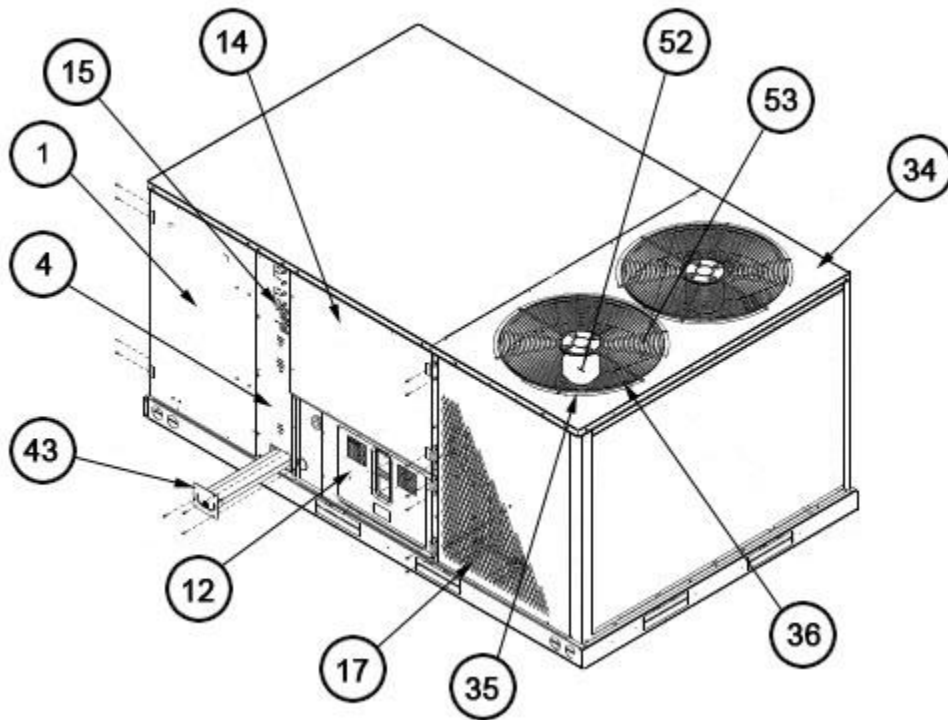
To obtain the correct replacement TXV you must either:

- 1. Provide the EXACT TXV part number obtained by examining the unit.**
- 2. Provide a) The unit model number and b) the TXV manufacturer (determined by using this guide).**

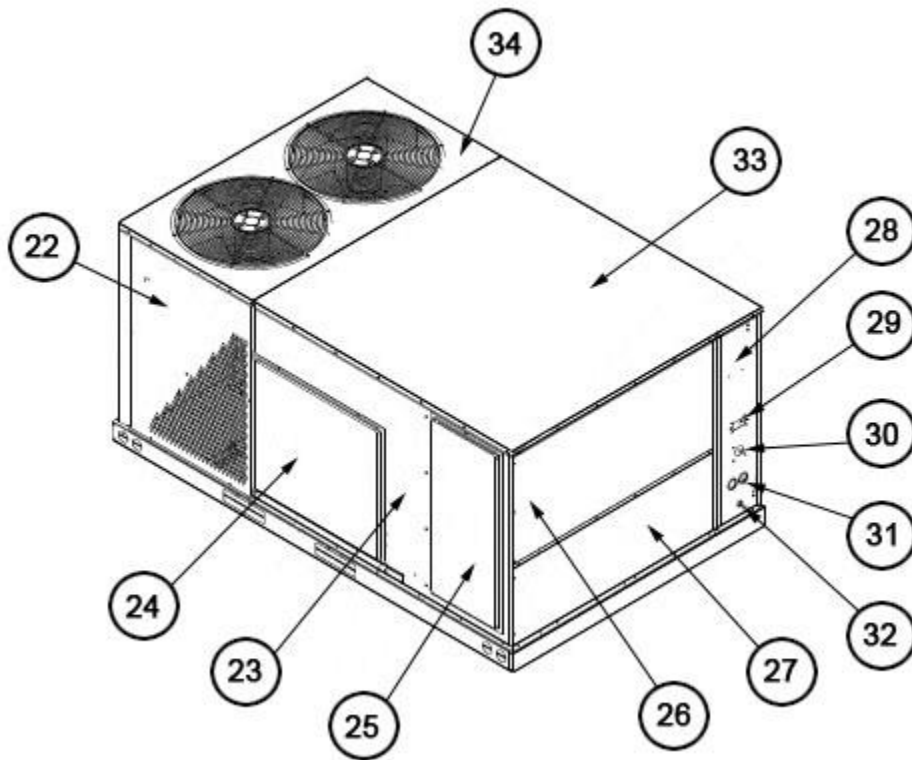
TXV Identification Guide



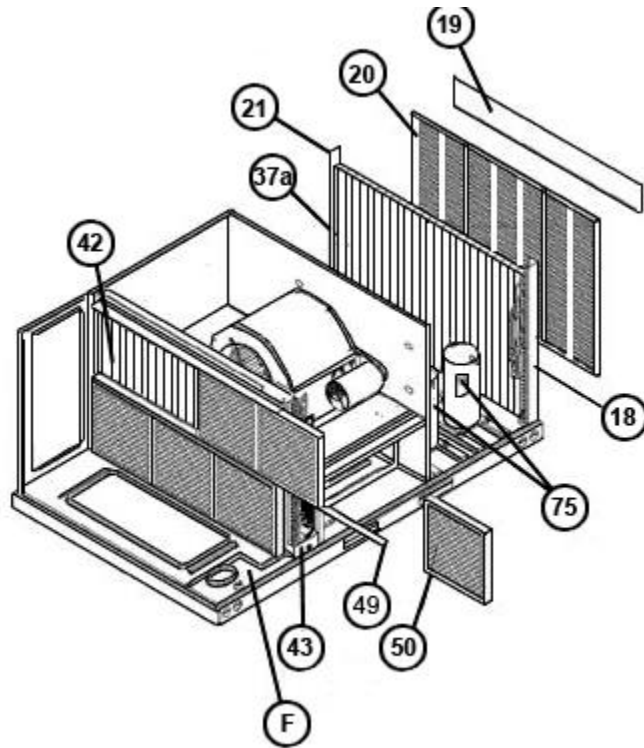
Exploded View 072-151



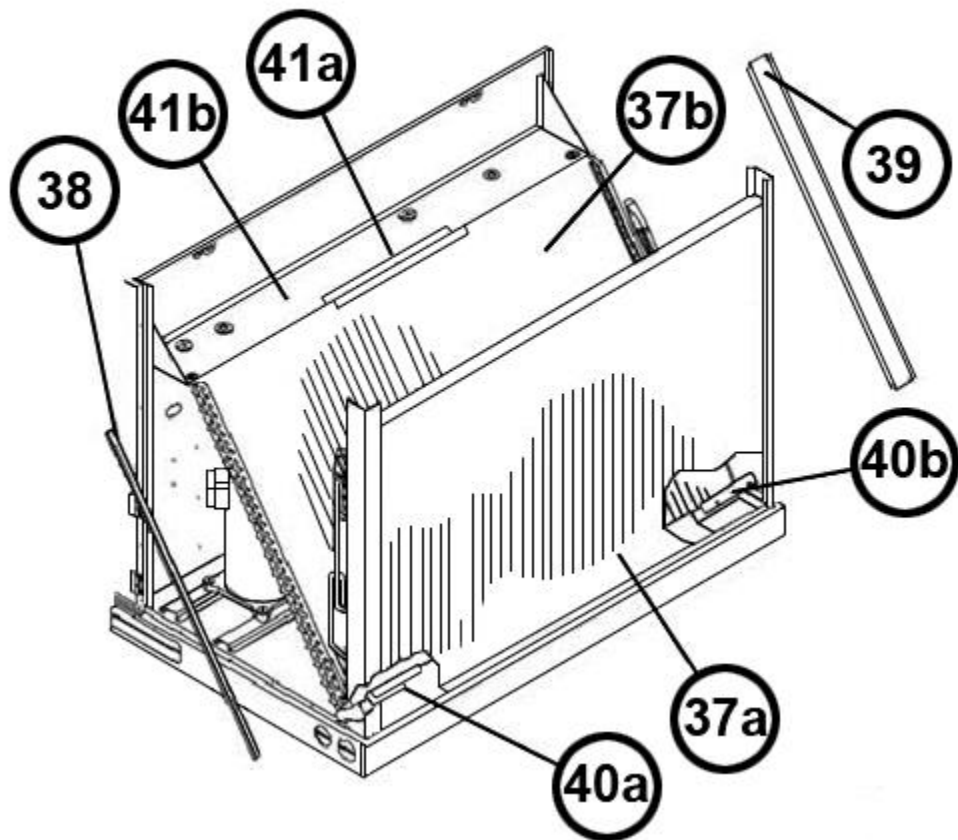
Exterior - Front 072-151



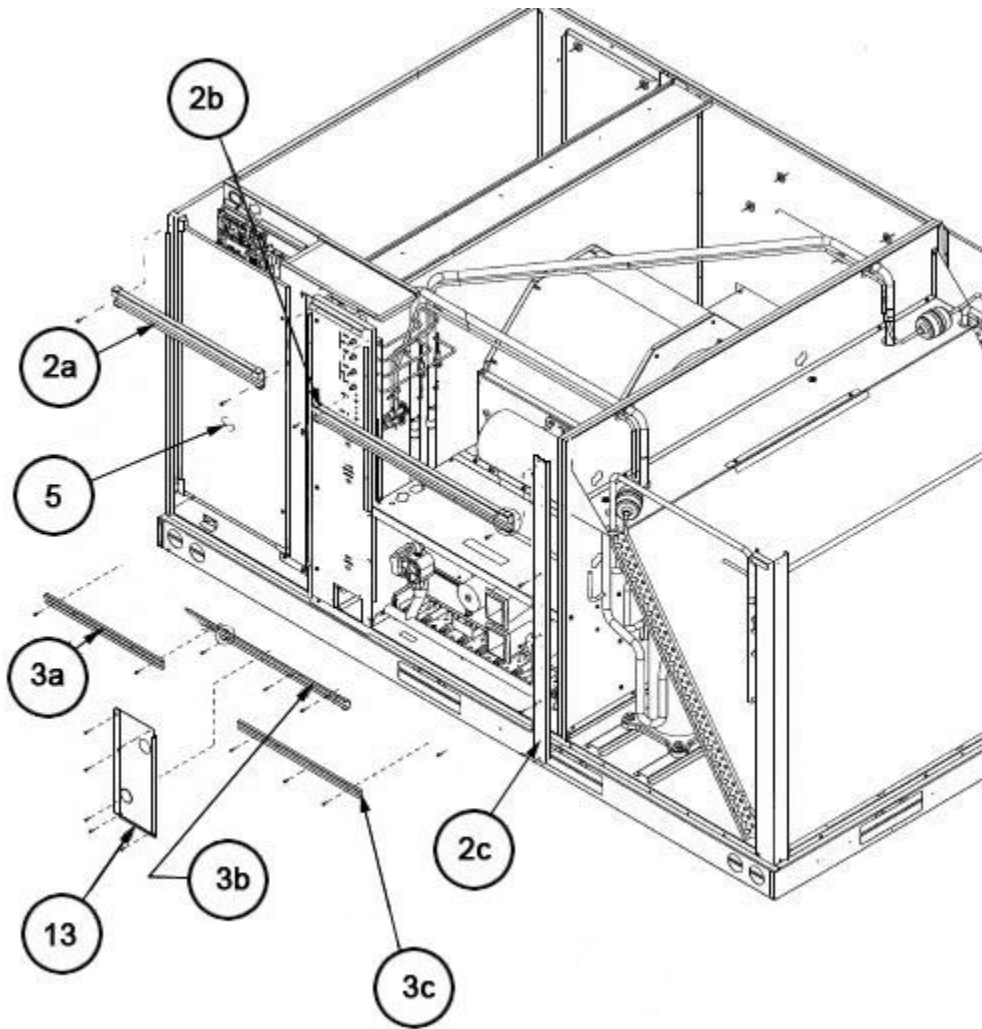
Exterior - Back 072-151



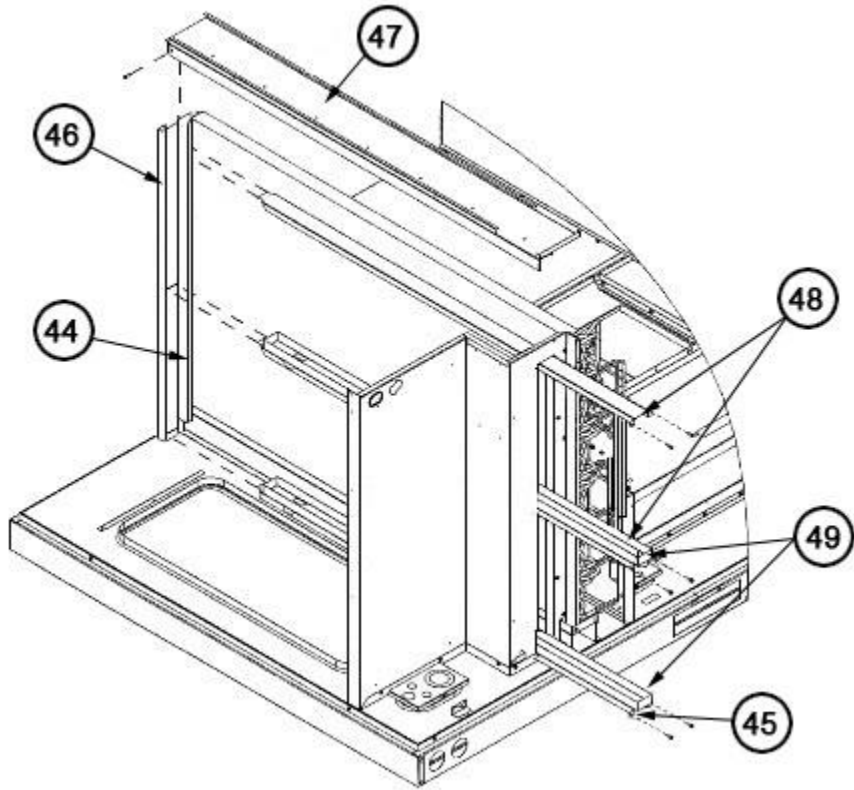
Filter-Coil Assembly 072-151



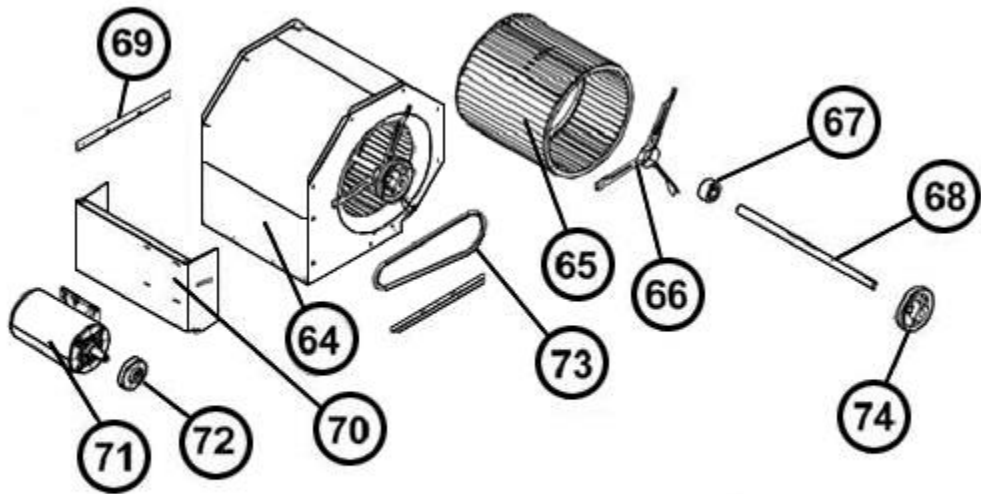
Condenser Coil Assembly 072-151



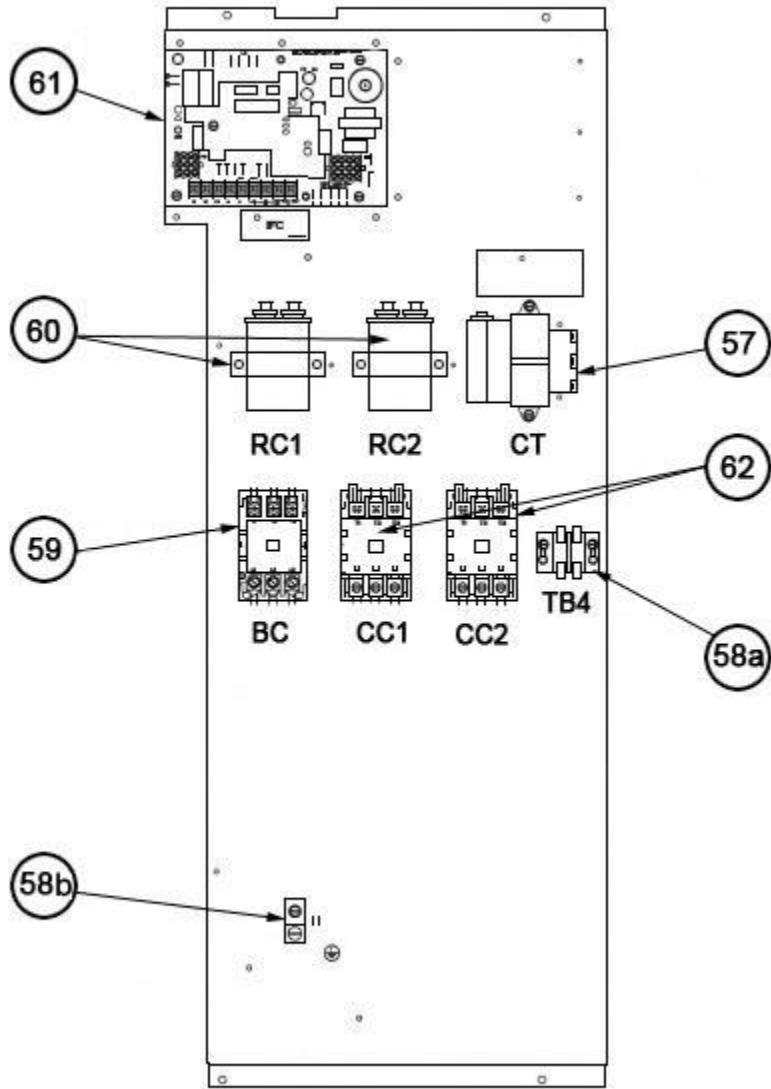
Front Panel Brackets 072-151



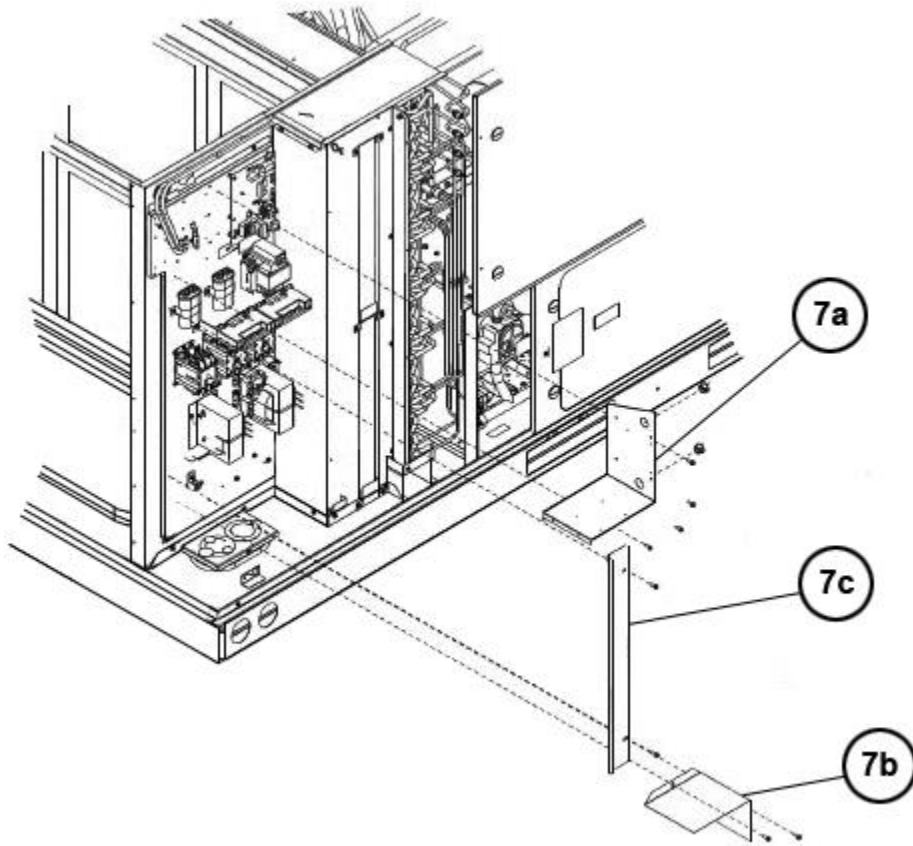
Filter Frame Assembly 072-151



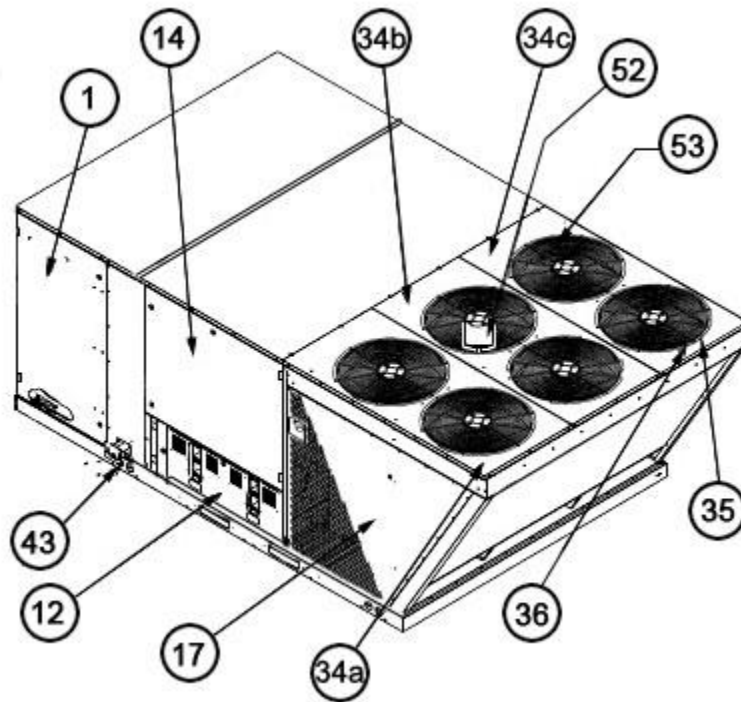
Blower Assembly 072-151



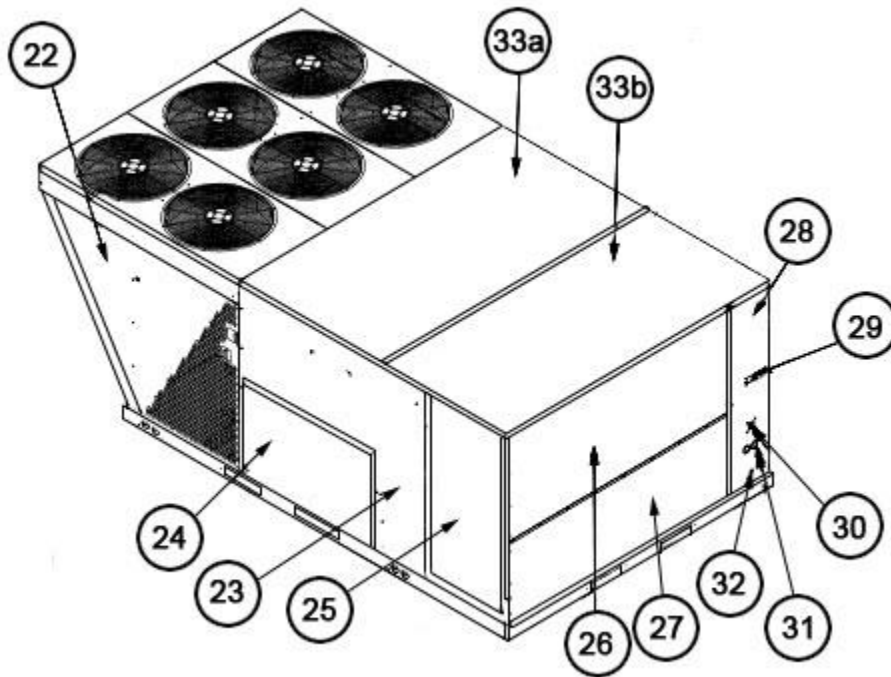
Control Box 072-151



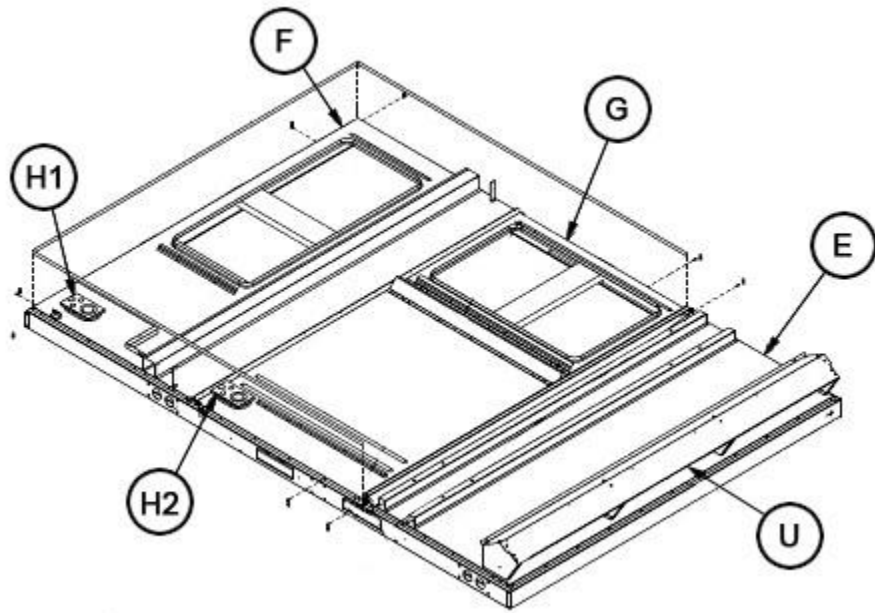
Low Voltage Shields 072-151



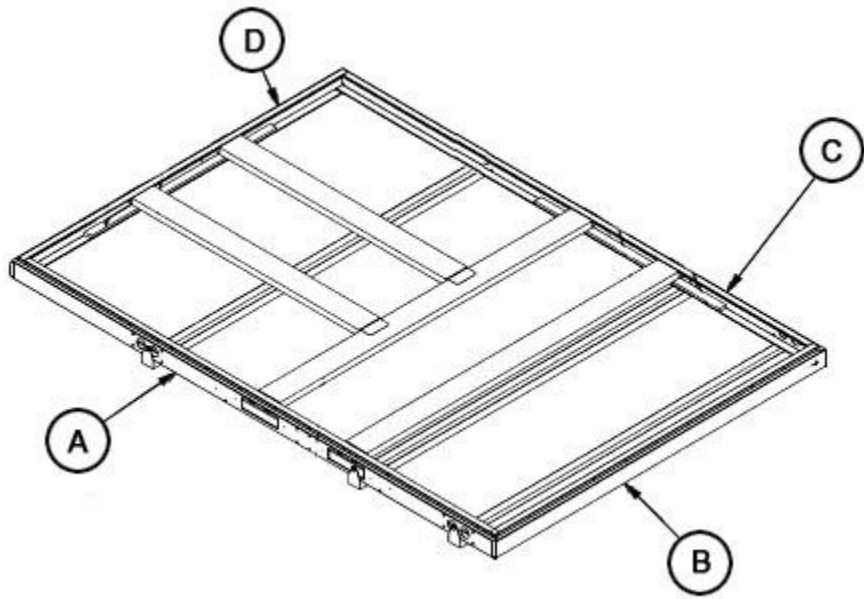
Exterior - Front 180-300



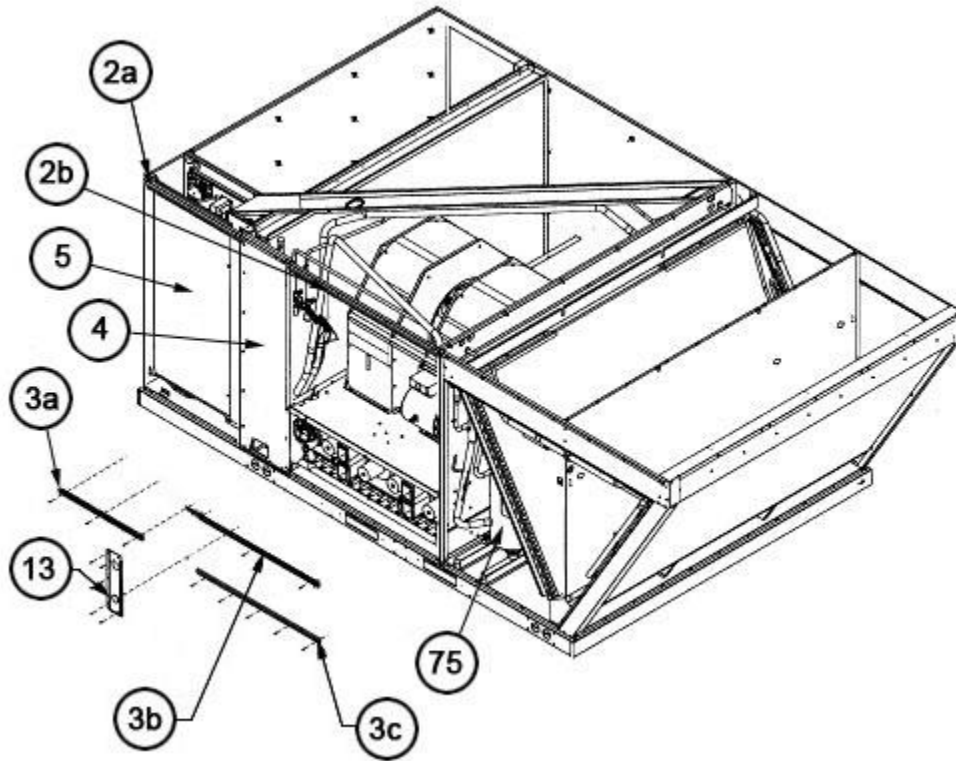
Exterior - Rear 180-300



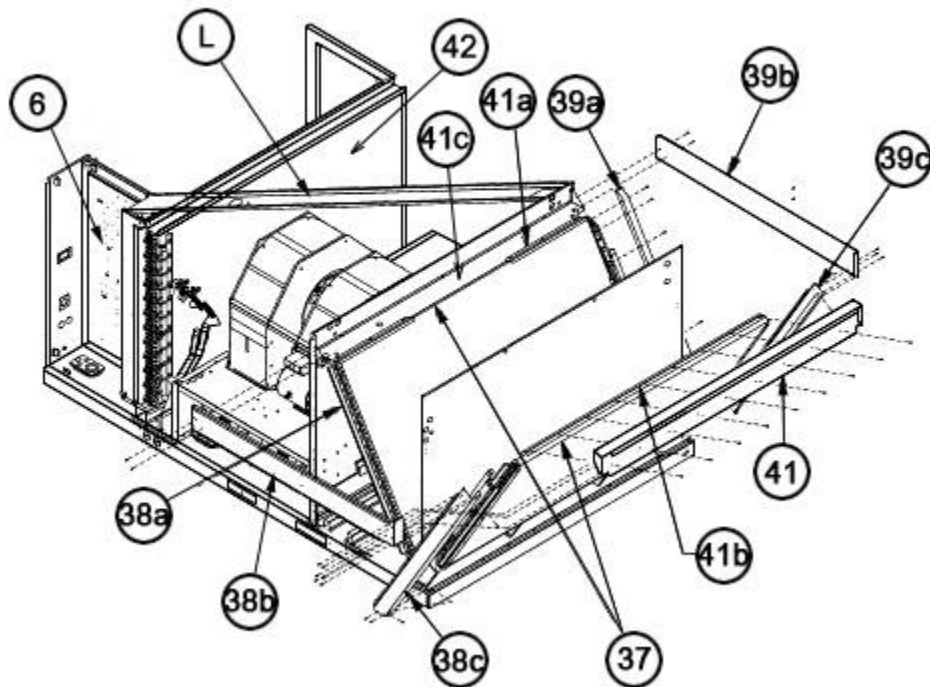
Base Pan Assembly 180-300



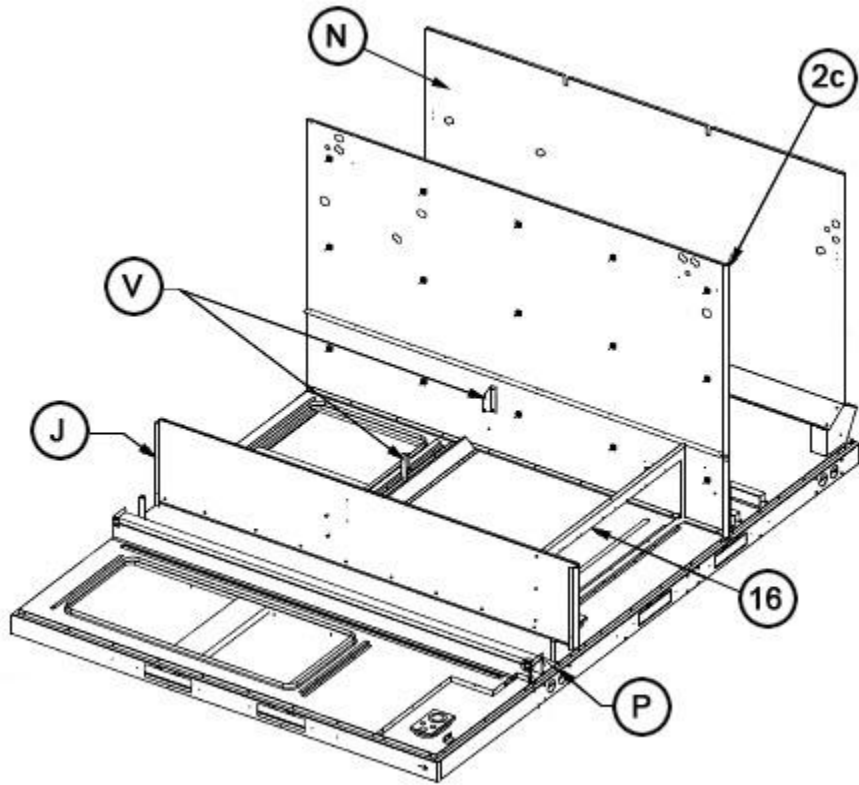
Base Rail Assembly 180-300



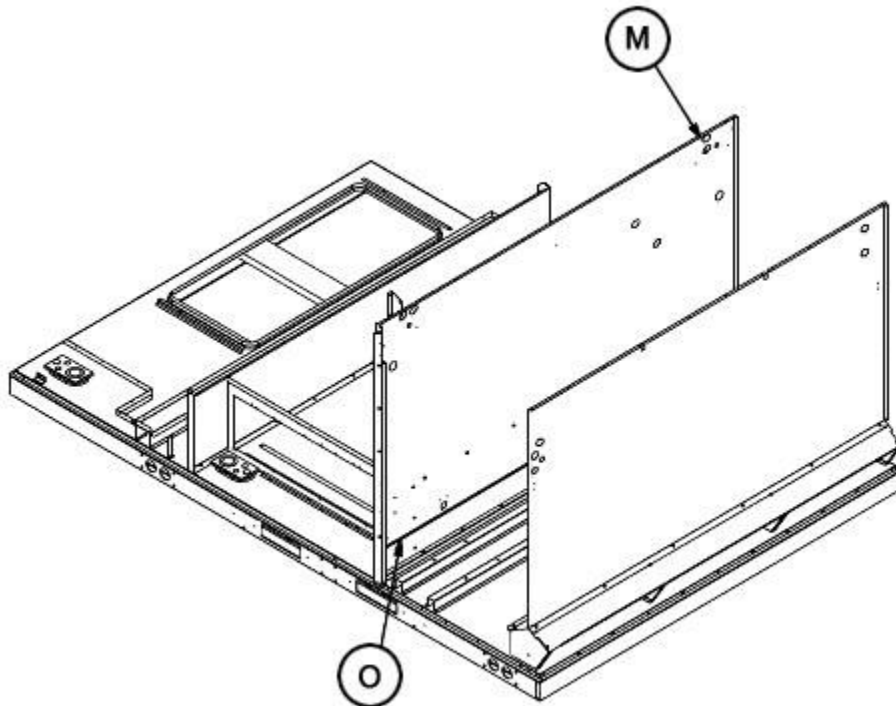
Front Panel Brackets 180-300



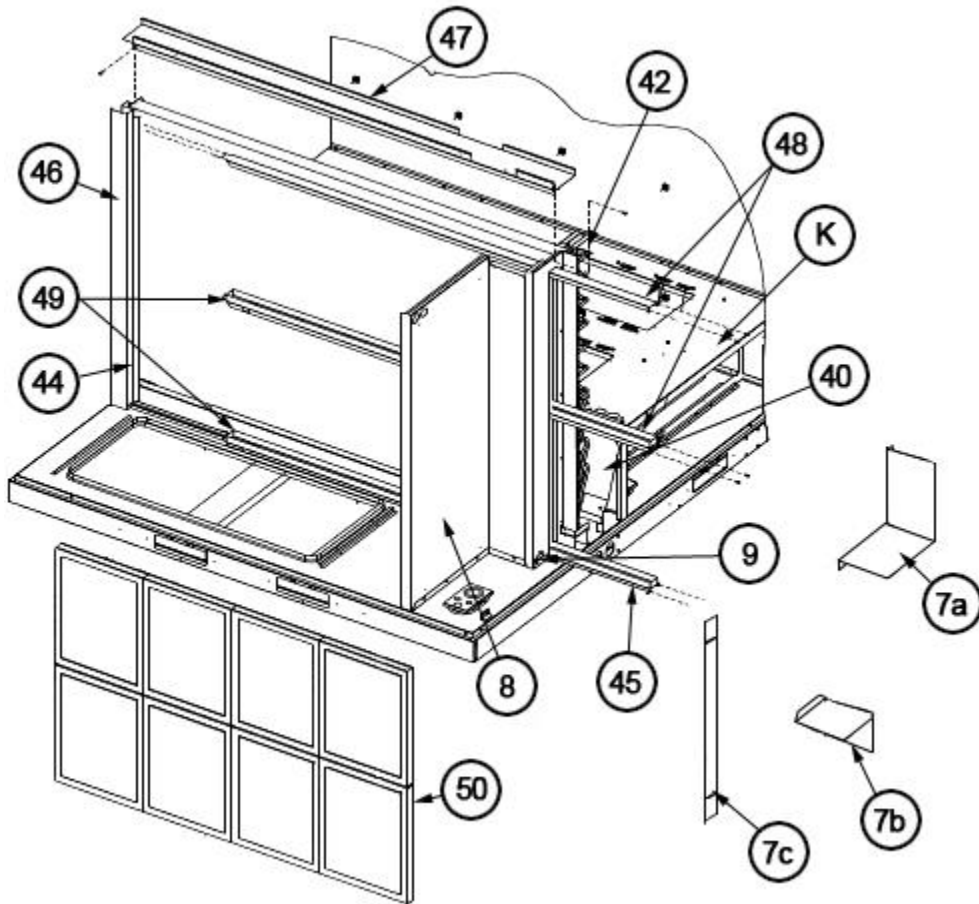
Interior - Coil 180-300



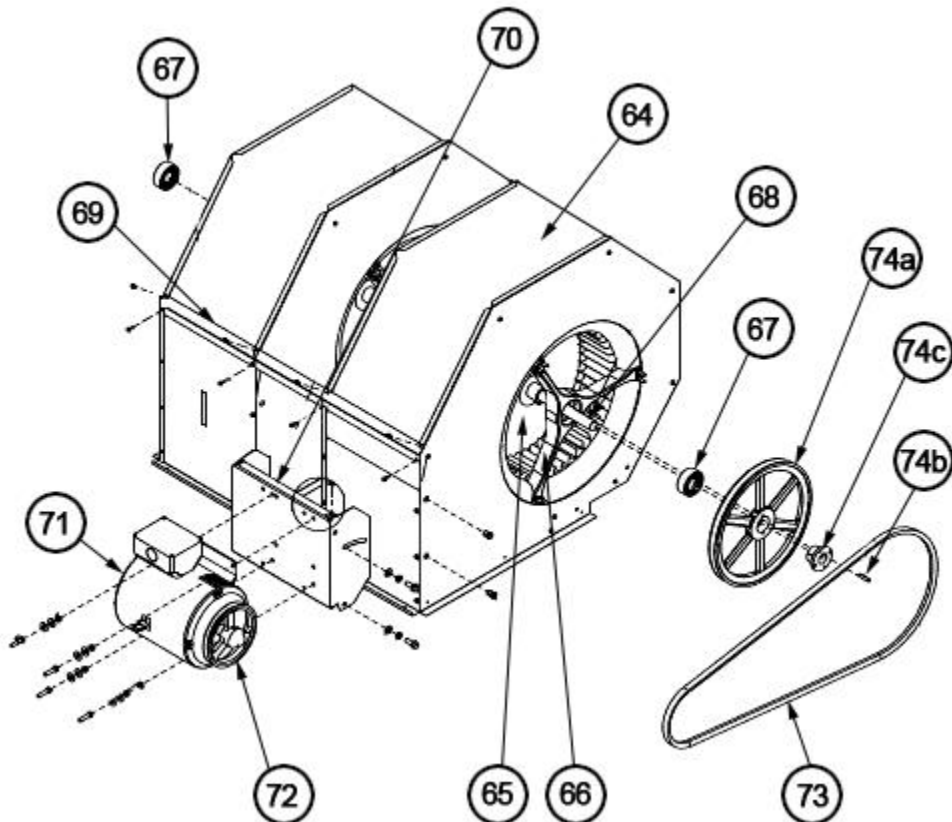
Heat Compartment 180-300



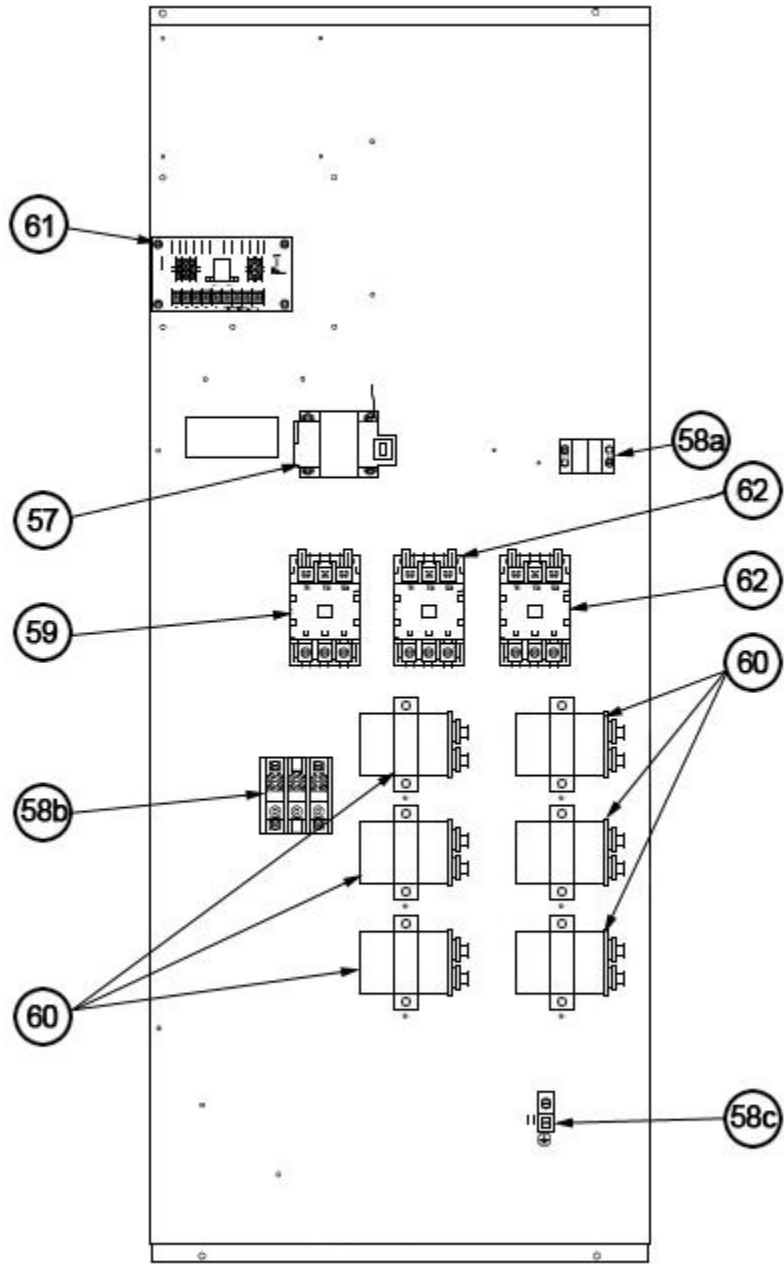
Condenser Bulkhead 180-300



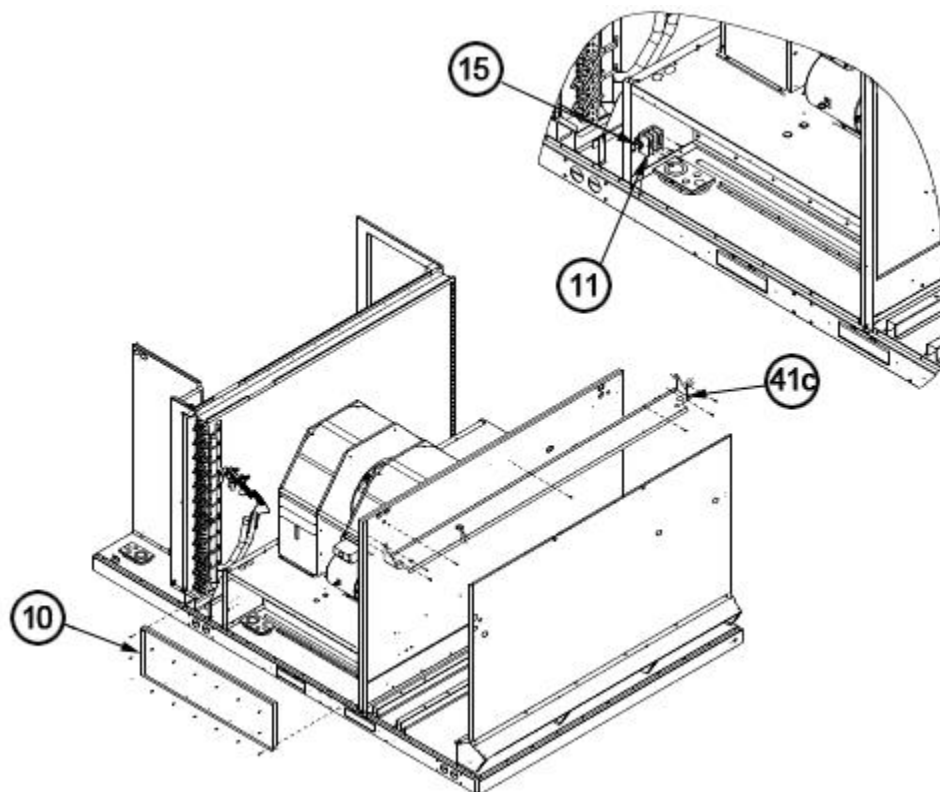
Filter Frame Assembly 180-300



Blower Assembly 180-300



Control Box 180-300



Electric Heat Block-Off 180-300

NOTES

Stk It is recommended that stock be maintained for this part.

N/A Not Applicable

- 1 Some units were shipped with a Low Pressure Control that is different from that listed. Use the Low Pressure Control specified for replacement.
- 2 Older (Before F1811) filter frame components are not individually compatible with newer (After F1811) filter frame components. Depending upon availability of older (Before F1811) components, it may be necessary to replace entire filter frame assembly (Air Stops - Bottom and Side, Filter Channels and Filter Slides) with the newer style (After F1811) components.
- 3 Temperature Sensors are integral with the Wiring Harness.

DISCLAIMER: This document is intended to provide general replacement parts information to aid qualified service personnel in the repair of these models. The complete Model and Serial Number of the unit under repair should be specified when selecting and ordering replacement parts. Specifications and illustrations are subject to change without notice. Document 92-42800-RLNL-C supersedes all previous parts lists for these models. See <http://www.rheempartslists.net/92-42800-RLNL-C> for the latest revision of this document. The manufacturer assumes no obligation for errors or omissions. Service personnel must verify the proper and safe operation of equipment after the replacement of any original components.