

# RLNL-B

Parts List  
16-May-2019



*This parts list is current as of the above revision date.  
See <http://www.rheempartslists.net/92-42800-RLNL-B.pdf> for the current revision.*

**Package Air Conditioners - Commercial**

# Table of Contents

Model Explanation.....	Page 3
 <b>Parts Numbers</b>	
Panels - MSCGSG 072-151 (1) .....	Page 4
Panels - MSCGSG 072-151 (2) .....	Page 5
Panels - MSCGSG 180-300 (1) .....	Page 6
Panels - MSCGSG 180-300 (2) .....	Page 7
Panels - MSCNG 072-151 (1) .....	Page 8
Panels - MSCNG 072-151 (2) .....	Page 9
Panels - MSCNG 180-300 (1) .....	Page 10
Panels - MSCNG 180-300 (2) .....	Page 11
ELG 072-151 (1) .....	Page 12
ELG 072-151 (2) .....	Page 13
ELG 180-300 (1) .....	Page 14
ELG 180-300 (2) .....	Page 15
FG 072-090 .....	Page 16
FG 102-150 .....	Page 17
FG 151 .....	Page 18
FG 180-300 .....	Page 19
BG 072-151 (1) .....	Page 20
BG 072-151 (2) .....	Page 21
BG 180-300 .....	Page 22
CPG 072-090 .....	Page 23
CPG 102-150 .....	Page 24
CPG 151 .....	Page 25
CPG 180-300 (Gray) .....	Page 26
CPG 180-300 (Green) .....	Page 27
CMP 072-090 .....	Page 28
CMP 102-151 .....	Page 29
CMP 180-300 .....	Page 30
HKG .....	Page 31
ACG 072-151 .....	Page 32
ACG 180-300 .....	Page 33
 <b>Drawings/Photographs</b>	
Exploded View 072-151 .....	Page 34
Exterior - Front 072-151 .....	Page 35
Exterior - Back 072-151 .....	Page 35
Filter-Coil Assembly 072-151 .....	Page 36
Condenser Coil Assembly 072-151 .....	Page 36
Front Panel Brackets 072-151 .....	Page 37
Filter Frame Assembly 072-151 .....	Page 38
Blower Assembly 072-151 .....	Page 38
Control Box 072-151 .....	Page 39
Low Voltage Shields 090-151 .....	Page 40
Exterior - Front 180-300 .....	Page 41
Exterior - Rear 180-300 .....	Page 41
Base Pan Assembly 180-300 .....	Page 42
Base Rail Assembly 180-300 .....	Page 42
Front Panel Brackets 180-300 .....	Page 43
Interior - Coil 180-300 .....	Page 43
Heat Compartment 180-300 .....	Page 44
Condenser Bulkhead 180-300 .....	Page 44
Filter Frame Assembly 180-300 .....	Page 45
Blower Assembly 180-300 .....	Page 45
Control Box 180-300 .....	Page 46
Electric Heat Block-Off 180-300 .....	Page 47
 Notes/Disclaimer .....	 Page 48

**MODEL NUMBER EXPLANATION**

<b>R</b>	<b>L</b>	<b>N</b>	<b>L</b>	<b>-</b>	<b>B</b>	<b>090</b>	<b>C</b>	<b>L</b>	<b>000</b>	<b>AA</b>	<b>B</b>
1	2	3	4		5	6	7	8	9	10	11

- |  |   |   |
|--|---|---|
| <p><b>1 TRADE NAME</b></p> <p><b>2 L = PACKAGE AIR CONDITIONER</b><br/>Commercial</p> <p><b>3 EFFICIENCY DESIGNATION</b><br/>N = High Efficiency (EnergyStar Compliant)</p> <p><b>4 DESIGN SERIES</b><br/>L = R-410A</p> <p><b>5 TECHNICAL VARIATION</b></p> <p><b>6 COOLING CAPACITY (BTUH)</b><br/>072/073 = 72,000<br/>085 = 85,000<br/>090 = 90,000<br/>102 = 102,000<br/>120 = 120,000<br/>150 = 150,000<br/>151 = 150,000<br/>180 = 180,000<br/>210 = 210,000<br/>240/241 = 240,000<br/>300 = 3000,000</p> <p><b>7 ELECTRICAL DESIGNATION</b><br/>C = 208-230/3/60<br/>D = 460/3/60<br/>Y = 575/3/60</p> | <p><b>8</b></p> <p><b>9</b></p> <p><b>10</b></p> <p><b>11</b></p> | <p><b>DRIVE PACKAGE</b><br/>L = Belt Drive<br/>M = Belt Drive - High Static<br/>N = Belt Drive - RLNL-B090 Only</p> <p><b>ELECTRIC HEAT- (Resistance Heat)</b><br/>000 = No Resistance Heat<br/>010 = 10 kW Resistance Heat<br/>015 = 15 kW Resistance Heat<br/>020 = 20 kW Resistance Heat<br/>030 = 30 kW Resistance Heat<br/>040 = 40 kW Resistance Heat<br/>050 = 50 kW Resistance Heat</p> <p><b>OPTION CODES</b><br/>AA = No Options</p> <p><b>ECONOMIZER OPTIONS</b><br/>A = No Economizer<br/>B = Single Enthalpy Economizer<br/>with Barometric Relief</p> |
|--|---|---|

**SERIAL NUMBER EXPLANATION**

<b>1234</b>	<b>F</b>	<b>50</b>	<b>08</b>	<b>00001</b>
1	2	3	4	5

- |   |   |
|---|---|
| <p><b>1</b></p> <p><b>2</b></p> <p><b>3</b></p> <p><b>4</b></p> <p><b>5</b></p> | <p><b>COMPRESSOR IDENTIFICATION NUMBER</b></p> <p><b>PRODUCTION LOCATION:</b></p> <p><b>WEEK OF PRODUCTION</b></p> <p><b>YEAR OF PRODUCTION</b></p> <p><b>PRODUCTION NUMBER</b></p> |
|---|---|

No.	Notes	MODEL TECHNICAL VARIATION COOLING CAPACITY	RLNL- B 072	RLNL- B 073	RLNL- B 090	RLNL- B 102	RLNL- B 120	RLNL- B 151
<b>PANELS - RAILS, BASE PANS, INSIDE CABINET (Granite/Steel Gray, After F4411)</b>								
<b>BASE RAILS:</b>								
A		Base Rail - Front	AE-90575-15	AE-90575-15	AE-90575-15	AE-90575-15	AE-90575-15	AE-90575-15
B		Base Rail - Right	AE-90576-03	AE-90576-03	AE-90576-03	AE-90576-03	AE-90576-03	AE-90576-03
C		Base Rail - Rear	AE-90575-04	AE-90575-04	AE-90575-04	AE-90575-04	AE-90575-04	AE-90575-04
D		Base Rail - Left	AE-90576-04	AE-90576-04	AE-90576-04	AE-90576-04	AE-90576-04	AE-90576-04
<b>BASE PANS:</b>								
E		Outdoor Coil Base Pan	AS-90583-03H	AS-90583-03H	AS-90583-05H	AS-90583-05H	AS-90583-05H	AS-90577-14H
F		Indoor Coil Base Pan	AS-90577-12	AS-90577-12	AS-90577-12	AS-90577-12	AS-90577-12	AS-90577-12
<b>INSIDE CABINET:</b>								
G		Entry Plate	AE-90614-02	AE-90614-02	AE-90614-02	AE-90614-02	AE-90614-02	AE-90614-02
H		Entry Plate	AE-90614-01	AE-90614-01	AE-90614-01	AE-90614-01	AE-90614-01	AE-90614-01
J		Heat Compartment Side	AE-90598-09	AE-90598-09	AE-90598-09	AE-90598-09	AE-90598-09	AE-90598-09
K		Blower Deck	AS-90592-12	AS-90592-12	AS-90592-13	AS-90592-13	AS-90592-13	AS-90592-13
L		Wireway	AE-90718-05	AE-90718-05	AE-90718-05	AE-90718-05	AE-90718-05	AE-90718-05
M		Condenser Bulkhead	AS-90609-22	AS-90609-22	AS-90609-18	AS-90609-18	AS-90609-18	AS-90609-23

No.	Notes	MODEL TECHNICAL VARIATION COOLING CAPACITY	RLNL- B 072	RLNL- B 073	RLNL- B 090	RLNL- B 102	RLNL- B 120	RLNL- B 151
<b>PANELS - FRONT (Granite/Steel Gray, After F4411)</b>								
1		Control Box Door Assembly - w/Hinges, Latch, Gasket, Insulation	AS-102872-14H	AS-102872-14H	AS-102872-14H	AS-102872-14H	AS-102872-14H	AS-102872-14H
2a		Bracket - Top Panel (Left)	AS-102859-16H	AS-102859-16H	AS-102859-16H	AS-102859-16H	AS-102859-16H	AS-102859-16H
2b		Bracket - Top Panel (Center)	AS-102859-15H	AS-102859-15H	AS-102859-15H	AS-102859-15H	AS-102859-15H	AS-102859-15H
2c		Post - Blower Section	AS-102682-12H	AS-102682-12H	AS-102682-12H	AS-102682-12H	AS-102682-12H	AS-102682-12H
3a		Bracket - Bottom Panel (Left)	AS-102859-17H	AS-102859-17H	AS-102859-17H	AS-102859-17H	AS-102859-17H	AS-102859-17H
3b		Bracket - Blower/Heater Compartment	AS-102859-14H	AS-102859-14H	AS-102859-14H	AS-102859-14H	AS-102859-14H	AS-102859-14H
3c		Bracket - Bottom Panel (Right)	AS-102859-13H	AS-102859-13H	AS-102859-13H	AS-102859-13H	AS-102859-13H	AS-102859-13H
		Latch Assembly - Control Box Door (2)	64-102855-01	64-102855-01	64-102855-01	64-102855-01	64-102855-01	64-102855-01
4		Post Assembly - Indoor Coil Section	AS-90620-18H	AS-90620-18H	AS-90620-17H	AS-90620-17H	AS-90620-17H	AS-90620-24H
5		Control Box Cover	AE-90713-02	AE-90713-02	AE-90713-02	AE-90713-02	AE-90713-02	AE-90713-02
6		Control Mounting Plate	AE-90712-06	AE-90712-06	AE-90712-06	AE-90712-06	AE-90712-06	AE-90712-06
7a		Low Voltage Shield (Before F3512) - Upper Straight	AE-90742-08	AE-90742-08	AE-90742-08	AE-90742-08	AE-90742-08	AE-90742-08
7a		Low Voltage Shield (After F3512) - Upper Angled	AE-90742-12	AE-90742-12	AE-90742-12	AE-90742-12	AE-90742-12	AE-90742-12
7b		Low Voltage Shield (Before F3512) - Lower	AE-90742-03	AE-90742-03	AE-90742-03	AE-90742-03	AE-90742-03	AE-90742-03
7b		Low Voltage Shield (After F3512) - Lower	AE-90742-11	AE-90742-11	AE-90742-11	AE-90742-11	AE-90742-11	AE-90742-11
7c		Low Voltage Shield - Middle Strip	AE-90742-09	AE-90742-09	AE-90742-09	AE-90742-09	AE-90742-09	AE-90742-09
8		Control Box Back Insulation Assembly	AS-90601-06	AS-90601-06	AS-90601-06	AS-90601-06	AS-90601-06	AS-90601-06
9		Mounting Bracket	AE-90779-02	AE-90779-02	AE-90779-02	AE-90779-02	AE-90779-02	AE-90779-02
10		Electric Heat Blockoff Plate Assembly (models with no heat)	AS-90720-02	AS-90720-02	AS-90720-02	AS-90720-02	AS-90720-02	AS-90720-02
11		Terminal Block	See Electrical Group					
12		Electric Heat Access Panel Assembly - w/Hinges, Latch, Gasket, Insulation	AS-102872-18H	AS-102872-18H	AS-102872-18H	AS-102872-18H	AS-102872-18H	AS-102872-18H
		Latch Assembly - Electric Heat Door (2)	64-102855-01	64-102855-01	64-102855-01	64-102855-01	64-102855-01	64-102855-01
13		Power Entry Plate Assembly	AS-90774-11H	AS-90774-11H	AS-90774-11H	AS-90774-11H	AS-90774-11H	AS-90774-11H
14		Blower Access Panel Assembly - w/Hinges, Latch, Gasket, Insulation	AS-102872-16H	AS-102872-16H	AS-102872-16H	AS-102872-16H	AS-102872-16H	AS-102872-16H
		Latch Assembly - Blower Access Panel (3)	64-102855-01	64-102855-01	64-102855-01	64-102855-01	64-102855-01	64-102855-01
15		High Pressure Guard (2)	AS-76160-01H	AS-76160-01H	AS-76160-01H	AS-76160-01H	AS-76160-01H	AS-76160-01H
16		Heat Mounting Frame Assembly	AS-90754-02	AS-90754-02	AS-90754-02	AS-90754-02	AS-90754-02	AS-90754-02
17		Condenser Coil Access Panel-Front	AS-90631-10H	AS-90631-10H	AS-90631-09H	AS-90631-09H	AS-90631-09H	AS-90631-11H
18		Front Corner Post	AS-90701-06H	AS-90701-06H	AS-90701-06H	AS-90701-06H	AS-90701-06H	AS-90701-05H

No.	Notes	MODEL TECHNICAL VARIATION COOLING CAPACITY	RLNL- B 072	RLNL- B 073	RLNL- B 090	RLNL- B 102	RLNL- B 120	RLNL- B 151
<b>PANELS - RIGHT, REAR AND LEFT SIDES (Granite/Steel Gray, After F4411)</b>								
<b>RIGHT:</b>								
19		Air Stop	N/A	N/A	N/A	N/A	N/A	N/A
20		Louver Panel Assembly	See Accessories Group					AS-90789-03H
<b>REAR:</b>								
21		Rear Corner Post	AS-90702-03H	AS-90702-03H	AS-90702-03H	AS-90702-03H	AS-90702-03H	AS-90702-04H
22		Condenser Coil Access Panel-Rear	AS-90631-03H	AS-90631-03H	AS-90631-05H	AS-90631-05H	AS-90631-05H	AS-90631-12H
23		Rear Panel	AS-90618-02H	AS-90618-02H	AS-90618-02H	AS-90618-02H	AS-90618-02H	AS-90618-02H
24		Supply Cover	AS-90626-02H	AS-90626-02H	AS-90626-02H	AS-90626-02H	AS-90626-02H	AS-90626-02H
25		Return Cover	AS-90628-02H	AS-90628-02H	AS-90628-02H	AS-90628-02H	AS-90628-02H	AS-90628-02H
<b>LEFT:</b>								
26		Upper Left Panel	AS-90624-03H	AS-90624-03H	AS-90624-03H	AS-90624-03H	AS-90624-03H	AS-90624-03H
27		Lower Left Panel	AS-90624-04H	AS-90624-04H	AS-90624-04H	AS-90624-04H	AS-90624-04H	AS-90624-04H
28		Left Corner Panel	AS-90755-07H	AS-90755-07H	AS-90755-07H	AS-90755-07H	AS-90755-07H	AS-90755-07H
29		Plate - Receptacle	AS-90756-02H	AS-90756-02H	AS-90756-02H	AS-90756-02H	AS-90756-02H	AS-90756-02H
30		Plate - Disconnect	AS-90756-03H	AS-90756-03H	AS-90756-03H	AS-90756-03H	AS-90756-03H	AS-90756-03H
31		Button Plug (2)	45-22980-06	45-22980-06	45-22980-06	45-22980-06	45-22980-06	45-22980-06
32		Button Plug	45-22980-05	45-22980-05	45-22980-05	45-22980-05	45-22980-05	45-22980-05
<b>TOP:</b>								
33		Top Panel Assembly	AS-90616-06H	AS-90616-06H	AS-90616-06H	AS-90616-06H	AS-90616-06H	AS-90616-06H
34		Condenser Top Panel	AS-90703-09H	AS-90703-09H	AS-90703-09H	AS-90703-09H	AS-90703-09H	AS-90703-08H
35		Venturi	AS-90632-03H (2)	AS-90632-03H (2)	AS-90632-03H (2)	AS-90632-03H (2)	AS-90632-03H (2)	AS-90632-03H (2)
36		Wire Grille	95-100906-09 (2)	95-100906-09 (2)	95-100906-09 (2)	95-100906-09 (2)	95-100906-09 (2)	95-100906-09 (2)
43		Drain Pan - Removable	See Coil Group					

No.	Notes	MODEL TECHNICAL VARIATION COOLING CAPACITY	RLNL- B 180/210	RLNL- B 240	RLNL- B 241	RLNL- B 300
<b>PANELS - RAILS, BASE PANS, INSIDE CABINET (Granite/Steel Gray, After F4411)</b>						
<b>BASE RAILS:</b>						
A		Front	AS-90827-03	AS-90827-03	AS-90827-03	AS-90827-03
B		Right	AE-90576-06	AE-90576-06	AE-90576-06	AE-90576-06
C		Rear	AS-90827-04	AS-90827-04	AS-90827-04	AS-90827-04
D		Left	AE-90576-05	AE-90576-05	AE-90576-05	AE-90576-05
<b>BASE PANS:</b>						
E		Outdoor Base Pan	AS-90583-09H	AS-90583-09H	AS-90577-24HT	AS-90583-09H
F		Indoor Coil Base Pan - Return Air	AS-90577-09	AS-90577-09	AS-90577-09	AS-90577-09
G		Indoor Coil Base Pan - Supply Air	AS-90577-10	AS-90577-10	AS-90577-10	AS-90577-10
<b>INSIDE CABINET PANEL/PIECES:</b>						
H 1		Entry Plate	AE-90614-01	AE-90614-01	AE-90614-01	AE-90614-01
H 2		Entry Plate - Rooftop	AE-90614-02	AE-90614-02	AE-90614-02	AE-90614-02
I		Post - Blower Section	AS-102682-07H	AS-102682-07H	AE-102682-07HT	AS-102682-07H
J		Heat Compartment Side	AE-90598-08	AE-90598-08	AE-90598-08	AE-90598-08
K		Blower Deck Assembly	AS-90592-11	AS-90592-11	AS-90592-11	AS-90592-11
L		Wireway	AE-90718-04	AE-90718-04	AE-90718-04	AE-90718-04
M		Condenser Bulkhead	AS-90609-17	AS-90609-17	AS-90609-17	AS-90609-17
N		Divider Panel - Between Coils	AE-90735-05	AE-90735-05	AE-90735-05	AE-90735-05
O		Bulkhead Support	AE-102725-01	AE-102725-01	AE-102725-01	AE-102725-01
P		Primary Drain Pan	AS-103030-02	AS-103030-02	AS-103030-02	AS-103030-02
		Air Stop - Outdoor Coil- Front	AE-90706-13	AE-90706-13	AE-90706-25	AE-90706-13
		Air Stop - Outdoor Coil- Rear	AE-90706-12	AE-90706-12	AE-90706-24	AE-90706-12
U		Coil Support Top	AE-102700-03	AE-102700-03	AE-102700-03	AE-102700-03

No.	Notes	MODEL TECHNICAL VARIATION COOLING CAPACITY	RLNL- B 180/210	RLNL- B 240	RLNL- B 241	RLNL- B 300
<b>PANELS - FRONT AND RIGHT SIDES (Granite/Steel Gray, After F4411)</b>						
1		Control Box Door Assembly - w/Hinges, Latch, Gasket, Insulation	AS-102872-04H	AS-102872-04H	AS-102872-04HT	AS-102872-04H
2a		Bracket - Top Panel (Left)	AS-102859-01H	AS-102859-01H	AE-102859-01HT	AS-102859-01H
2b		Bracket - Top Panel (Center)	AS-102969-01H	AS-102969-01H	AS-102969-01HT	AS-102969-01H
2c		Post - Blower Section	AS-102682-07H	AS-102682-07H	AE-102682-07HT	AS-102682-07H
3a		Bracket - Bottom Panel (Left)	AS-102859-02H	AS-102859-02H	AE-102859-02HT	AS-102859-02H
3b		Bracket - Blower/Heater Compartment	AS-102859-11H	AS-102859-11H	AE-102859-11HT	AS-102859-11H
3c		Bracket - Bottom Panel (Right)	AS-102859-12H	AS-102859-12H	AE-102859-12HT	AS-102859-12H
4		Post Assembly - Indoor Coil Section	AS-90620-15H	AS-90620-15H	AS-90620-15HT	AS-90620-15H
5		Control Box Cover	AE-90713-05	AE-90713-05	AE-90713-05	AE-90713-05
6		Control Mounting Panel	AE-90712-05	AE-90712-05	AE-90712-05	AE-90712-05
7a		Low Voltage Shield - Control Box (Upper Right)	AE-90742-07	AE-90742-07	AE-90742-07	AE-90742-07
7b		Low Voltage Shield - Control Box (Lower Left)	AE-90742-06	AE-90742-06	AE-90742-06	AE-90742-06
7c		Thermostat Chase Cover	AE-102722-01	AE-102722-01	AE-102722-01	AE-102722-01
8		Control Box Back	AS-90601-05	AS-90601-05	AS-90601-05	AS-90601-05
9		Mounting Bracket	AE-90779-02	AE-90779-02	AE-90779-02	AE-90779-02
10		Electric Heat Blockoff Plate Assembly (models with no heat)	AS-90720-03	AS-90720-03	AS-90720-03	AS-90720-03
11		Terminal Block - Heat Compartment	See Electrical Group			
12		Electric Heat Access Panel Assembly - w/Hinges, Latch, Gasket, Insulation	AS-102872-06H	AS-102872-06H	AS-102872-06HT	AS-102872-06H
13		Power Entry Plate Assembly	AS-90774-13H	AS-90774-13H	AS-90774-13HT	AS-90774-13H
14		Blower Access Panel Assembly - w/Hinges, Latch, Gasket, Insulation	AS-102872-02H	AS-102872-02H	AS-102872-02HT	AS-102872-02H
15		Ground Lug - Heat Compartment	See Electrical Group			
16		Mounting Frame - Heat Exchanger Frame	AS-90754-04	AS-90754-04	AS-90754-04	AS-90754-04
17		Condenser Coil Access Panel-Front	AS-90734-08H	AS-90734-08H	AE-90734-20HT	AS-90734-08H
38c		Post - Outdoor Coil (Front)	See Coil Group			
39c		Post - Outdoor Coil (Rear)	See Coil Group			
		Louver Panel (Hail Guard) - Left	AS-90789-10H	AS-90789-10H	N/A	AS-90789-10H
		Louver Panel (Hail Guard) - Right	AS-90789-09H	AS-90789-09H	N/A	AS-90789-09H

No.	Notes	MODEL TECHNICAL VARIATION COOLING CAPACITY	RLNL- B 180/210	RLNL- B 240	RLNL- B 241	RLNL- B 300
<b>PANELS - REAR, LEFT, AND TOP (Granite/Steel Gray, After F4411)</b>						
<b>REAR:</b>						
22		Condenser Coil Access Panel-Rear	AS-90734-09H	AS-90734-09H	AE-90734-21HT	AS-90734-09H
23		Rear Panel - Right	AS-90618-08H	AS-90618-08H	AS-90618-08HT	AS-90618-08H
23b		Rear Panel - Left	N/A	N/A	AS-90618-07HT	N/A
24		Supply Cover	AS-90628-03H	AS-90628-03H	AS-90628-03HT	AS-90628-03H
25		Return Cover	AS-90628-04H	AS-90628-04H	AS-90628-04HT	AS-90628-04H
<b>LEFT:</b>						
26		Upper Left Panel	AS-90624-09H	AS-90624-09H	AS-90624-09HT	AS-90624-09H
27		Lower Left Panel	AS-90624-08H	AS-90624-08H	AS-90624-08HT	AS-90624-08H
28		Left Corner Panel Assembly	AS-90755-05H	AS-90755-05H	AS-90755-05HT	AS-90755-05H
		Bracket - Left Corner Panel Assembly (2)	AE-90779-01	AE-90779-01	AE-90779-01	AE-90779-01
		Gasket for receptacle plate	68-42514-08	68-42514-08	68-42514-08	68-42514-08
		Gasket for disconnect plate	68-42514-09	68-42514-09	68-42514-09	68-42514-09
29		Plate - Install inside Panel-Receptacle	AS-90756-02H	AS-90756-02H	AE-90756-02HT	AS-90756-02H
30		Plate - Install inside Panel-Disconnect	AS-90756-03H	AS-90756-03H	AE-90756-03HT	AS-90756-03H
31		Button Plug (3)	45-42558-01	45-42558-01	45-42558-01	45-42558-01
32		Star Bushing (3)	45-18515-01	45-18515-01	45-18515-01	45-18515-01
<b>TOP:</b>						
33a		Top Panel Assembly - Right	AS-90616-04H	AS-90616-04H	AS-90616-04HT	AS-90616-04H
33b		Top Panel Assembly - Left	AS-90616-05H	AS-90616-05H	AS-90616-05HT	AS-90616-05H
34a		Top Panel - Front	AS-90633-10H	AS-90633-10H	AE-90633-10HT	AS-90633-10H
34b		Top Panel - Middle	AS-90633-12H	AS-90633-11H	AE-90633-11HT	AS-90633-11H
34c		Top Panel - Rear	AS-90633-09H	AS-90633-09H	AE-90633-09HT	AS-90633-09H
35		Venturi	AS-90632-03H (4)	AS-90632-03H (4)	AE-90632-03HT (6)	AS-90632-03H (6)
36		Wire Grille	95-100906-09 (4)	95-100906-09 (6)	95-100906-09 (6)	95-100906-09 (6)
43		Drain Pan - Removable	See Coil Group			

No.	Notes	MODEL TECHNICAL VARIATION COOLING CAPACITY	RLNL- B 072	RLNL- B 085	RLNL- B 090	RLNL- B 102	RLNL- B 120	RLNL- B 150/151
<b>PANELS - RAILS, BASE PANS, INSIDE CABINET (Neutra Green, Before F4411)</b>								
<b>BASE RAILS:</b>								
A		Base Rail - Front	AE-90575-15	AE-90575-15	AE-90575-15	AE-90575-15	AE-90575-15	AE-90575-15
B		Base Rail - Right	AE-90576-03	AE-90576-03	AE-90576-03	AE-90576-03	AE-90576-03	AE-90576-03
C		Base Rail - Rear	AE-90575-04	AE-90575-04	AE-90575-04	AE-90575-04	AE-90575-04	AE-90575-04
D		Base Rail - Left	AE-90576-04	AE-90576-04	AE-90576-04	AE-90576-04	AE-90576-04	AE-90576-04
<b>BASE PANS:</b>								
E		Outdoor Coil Base Pan	AS-90583-03A	AS-90583-05A	AS-90583-05A	AS-90583-05A	AS-90583-05A	AS-90577-14A
F		Indoor Coil Base Pan	AS-90577-12	AS-90577-12	AS-90577-12	AS-90577-12	AS-90577-12	AS-90577-12
<b>INSIDE CABINET:</b>								
G		Entry Plate	AE-90614-02	AE-90614-02	AE-90614-02	AE-90614-02	AE-90614-02	AE-90614-02
H		Entry Plate	AE-90614-01	AE-90614-01	AE-90614-01	AE-90614-01	AE-90614-01	AE-90614-01
J		Heat Compartment Side	AE-90598-09	AE-90598-09	AE-90598-09	AE-90598-09	AE-90598-09	AE-90598-09
K		Blower Deck	AS-90592-12	AS-90592-13	AS-90592-13	AS-90592-13	AS-90592-13	AS-90592-13
L		Wireway	AE-90718-05	AE-90718-05	AE-90718-05	AE-90718-05	AE-90718-05	AE-90718-05
M		Condenser Bulkhead	AS-90609-22	AS-90609-21	AS-90609-18	AS-90609-18	AS-90609-18	AS-90609-23

No.	Notes	MODEL TECHNICAL VARIATION COOLING CAPACITY	RLNL- B 072	RLNL- B 085	RLNL- B 090	RLNL- B 102	RLNL- B 120	RLNL- B 150/151
<b>PANELS - FRONT (Neutra Green, Before F4411)</b>								
1		Control Box Door Assembly - w/Hinges, Latch, Gasket, Insulation	AS-102872-14A	AS-102872-14A	AS-102872-14A	AS-102872-14A	AS-102872-14A	AS-102872-14A
2a		Bracket - Top Panel (Left)	AS-102859-16A	AS-102859-16A	AS-102859-16A	AS-102859-16A	AS-102859-16A	AS-102859-16A
2b		Bracket - Top Panel (Center)	AS-102859-15A	AS-102859-15A	AS-102859-15A	AS-102859-15A	AS-102859-15A	AS-102859-15A
2c		Post - Blower Section	AS-102682-12A	AS-102682-12A	AS-102682-12A	AS-102682-12A	AS-102682-12A	AS-102682-12A
3a		Bracket - Bottom Panel (Left)	AS-102859-17A	AS-102859-17A	AS-102859-17A	AS-102859-17A	AS-102859-17A	AS-102859-17A
3b		Bracket - Blower/Heater Compartment	AS-102859-14A	AS-102859-14A	AS-102859-14A	AS-102859-14A	AS-102859-14A	AS-102859-14A
3c		Bracket - Bottom Panel (Right)	AS-102859-13A	AS-102859-13A	AS-102859-13A	AS-102859-13A	AS-102859-13A	AS-102859-13A
		Latch Assembly - Control Box Door (2)	64-102855-01	64-102855-01	64-102855-01	64-102855-01	64-102855-01	64-102855-01
4		Post Assembly - Indoor Coil Section	AS-90620-18A	AS-90620-18A	AS-90620-17A	AS-90620-17A	AS-90620-17A	AS-90620-17A
5		Control Box Cover	AE-90713-02	AE-90713-02	AE-90713-02	AE-90713-02	AE-90713-02	AE-90713-02
6		Control Mounting Plate	AE-90712-06	AE-90712-06	AE-90712-06	AE-90712-06	AE-90712-06	AE-90712-06
7a		Low Voltage Shield - Upper Straight	AE-90742-08	AE-90742-08	AE-90742-08	AE-90742-08	AE-90742-08	AE-90742-08
7b		Low Voltage Shield - Lower	AE-90742-03	AE-90742-03	AE-90742-03	AE-90742-03	AE-90742-03	AE-90742-03
7c		Low Voltage Shield - Middle Strip	AE-90742-09	AE-90742-09	AE-90742-09	AE-90742-09	AE-90742-09	AE-90742-09
8		Control Box Back Insulation Assembly	AS-90601-06	AS-90601-06	AS-90601-06	AS-90601-06	AS-90601-06	AS-90601-06
9		Mounting Bracket	AE-90779-02	AE-90779-02	AE-90779-02	AE-90779-02	AE-90779-02	AE-90779-02
10		Electric Heat Blockoff Plate Assembly (models with no heat)	AS-90720-02	AS-90720-02	AS-90720-02	AS-90720-02	AS-90720-02	AS-90720-02
11		Terminal Block	See Electrical Group					
12		Electric Heat Access Panel Assembly - w/Hinges, Latch, Gasket, Insulation	AS-102872-18A	AS-102872-18A	AS-102872-18A	AS-102872-18A	AS-102872-18A	AS-102872-18A
		Latch Assembly - Electric Heat Door (2)	64-102855-01	64-102855-01	64-102855-01	64-102855-01	64-102855-01	64-102855-01
13		Power Entry Plate Assembly	AS-90774-11A	AS-90774-11A	AS-90774-11A	AS-90774-11A	AS-90774-11A	AS-90774-11A
14		Blower Access Panel Assembly - w/Hinges, Latch, Gasket, Insulation	AS-102872-16A	AS-102872-16A	AS-102872-16A	AS-102872-16A	AS-102872-16A	AS-102872-16A
		Latch Assembly - Blower Access Panel (3)	64-102855-01	64-102855-01	64-102855-01	64-102855-01	64-102855-01	64-102855-01
15		High Pressure Guard (2)	AS-76160-01A	AS-76160-01A	AS-76160-01A	AS-76160-01A	AS-76160-01A	AS-76160-01A
16		Heat Mounting Frame Assembly	AS-90754-02	AS-90754-02	AS-90754-02	AS-90754-02	AS-90754-02	AS-90754-02
17		Condenser Coil Access Panel-Front	AS-90631-10A	AS-90631-09A	AS-90631-09A	AS-90631-09A	AS-90631-09A	AS-90631-11A
18		Front Corner Post	AS-90701-06A	AS-90701-06A	AS-90701-06A	AS-90701-06A	AS-90701-06A	AS-90701-05A



No.	Notes	MODEL TECHNICAL VARIATION COOLING CAPACITY	RLNL- B 072	RLNL- B 085	RLNL- B 090	RLNL- B 102	RLNL- B 120	RLNL- B 150/151
<b>PANELS - RIGHT, REAR AND LEFT SIDES (Neutra Green, Before F4411)</b>								
<b>RIGHT:</b>								
19		Air Stop	N/A	N/A	N/A	N/A	N/A	N/A
20		Louver Panel Assembly	See Accessories Group					AS-90789-03A
<b>REAR:</b>								
21		Rear Corner Post	AS-90702-03A	AS-90702-03A	AS-90702-03A	AS-90702-03A	AS-90702-03A	AS-90702-04A
22		Condenser Coil Access Panel-Rear	AS-90631-03A	AS-90631-05A	AS-90631-05A	AS-90631-05A	AS-90631-05A	AS-90631-12A
23		Rear Panel	AS-90618-02A	AS-90618-02A	AS-90618-02A	AS-90618-02A	AS-90618-02A	AS-90618-02A
24		Supply Cover	AS-90626-02A	AS-90626-02A	AS-90626-02A	AS-90626-02A	AS-90626-02A	AS-90626-02A
25		Return Cover	AS-90628-02A	AS-90628-02A	AS-90628-02A	AS-90628-02A	AS-90628-02A	AS-90628-02A
<b>LEFT:</b>								
26		Upper Left Panel	AS-90624-03A	AS-90624-03A	AS-90624-03A	AS-90624-03A	AS-90624-03A	AS-90624-03A
27		Lower Left Panel	AS-90624-04A	AS-90624-04A	AS-90624-04A	AS-90624-04A	AS-90624-04A	AS-90624-04A
28		Left Corner Panel	AS-90755-07A	AS-90755-07A	AS-90755-07A	AS-90755-07A	AS-90755-07A	AS-90755-07A
29		Plate - Receptacle	AS-90756-02A	AS-90756-02A	AS-90756-02A	AS-90756-02A	AS-90756-02A	AS-90756-02A
30		Plate - Disconnect	AS-90756-03A	AS-90756-03A	AS-90756-03A	AS-90756-03A	AS-90756-03A	AS-90756-03A
31		Button Plug (2)	45-22980-06	45-22980-06	45-22980-06	45-22980-06	45-22980-06	45-22980-06
32		Button Plug	45-22980-05	45-22980-05	45-22980-05	45-22980-05	45-22980-05	45-22980-05
<b>TOP:</b>								
33		Top Panel Assembly	AS-90616-06A	AS-90616-06A	AS-90616-06A	AS-90616-06A	AS-90616-06A	AS-90616-06A
34		Condenser Top Panel	AS-90703-09A	AS-90703-09A	AS-90703-09A	AS-90703-09A	AS-90703-09A	AS-90703-08A
35		Venturi	AS-90632-03A (2)	AS-90632-03A (2)	AS-90632-03A (2)	AS-90632-03A (2)	AS-90632-03A (2)	AS-90632-03A (2)
36		Wire Grille	95-100906-09 (2)	95-100906-09 (2)	95-100906-09 (2)	95-100906-09 (2)	95-100906-09 (2)	95-100906-09 (2)
43		Drain Pan - Removable	See Coil Group					

No.	Notes	MODEL TECHNICAL VARIATION COOLING CAPACITY	RLNL- B 180/210	RLNL- B 240	RLNL- B 300
<b>PANELS - RAILS, BASE PANS, INSIDE CABINET (Neutra Green, Before F4411)</b>					
<b>BASE RAILS:</b>					
A		Front	AS-90827-03	AS-90827-03	AS-90827-03
B		Right	AE-90576-06	AE-90576-06	AE-90576-06
C		Rear	AS-90827-04	AS-90827-04	AS-90827-04
D		Left	AE-90576-05	AE-90576-05	AE-90576-05
<b>BASE PANS:</b>					
E		Outdoor Base Pan	AS-90583-09A	AS-90583-09A	AS-90583-09A
F		Indoor Coil Base Pan - Return Air	AS-90577-09	AS-90577-09	AS-90577-09
G		Indoor Coil Base Pan - Supply Air	AS-90577-10	AS-90577-10	AS-90577-10
<b>INSIDE CABINET PANEL/PIECES:</b>					
H 1		Entry Plate	AE-90614-01	AE-90614-01	AE-90614-01
H 2		Entry Plate - Rooftop	AE-90614-02	AE-90614-02	AE-90614-02
I		Post - Blower Section	AS-102682-07A	AS-102682-07A	AS-102682-07A
J		Heat Compartment Side	AE-90598-08	AE-90598-08	AE-90598-08
K		Blower Deck Assembly	AS-90592-11	AS-90592-11	AS-90592-11
L		Wireway	AE-90718-04	AE-90718-04	AE-90718-04
M		Condenser Bulkhead	AS-90609-17	AS-90609-17	AS-90609-17
N		Divider Panel - Between Coils	AE-90735-05	AE-90735-05	AE-90735-05
O		Bulkhead Support	AE-102725-01	AE-102725-01	AE-102725-01
P		Primary Drain Pan	AS-103030-02	AS-103030-02	AS-103030-02
		Air Stop - Outdoor Coil- Front	AE-90706-13	AE-90706-13	AE-90706-13
		Air Stop - Outdoor Coil- Rear	AE-90706-12	AE-90706-12	AE-90706-12
U		Coil Support Top	AE-102700-03	AE-102700-03	AE-102700-03

No.	Notes	MODEL TECHNICAL VARIATION COOLING CAPACITY	RLNL- B 180/210	RLNL- B 240	RLNL- B 300
<b>PANELS - FRONT AND RIGHT SIDES (Neutra Green, Before F4411)</b>					
1		Control Box Door Assembly - w/Hinges, Latch, Gasket, Insulati	AS-102872-04A	AS-102872-04A	AS-102872-04A
2a		Bracket - Top Panel (Left)	AS-102859-01A	AS-102859-01A	AS-102859-01A
2b		Bracket - Top Panel (Center)	AS-102969-01A	AS-102969-01A	AS-102969-01A
2c		Post - Blower Section	AS-102682-07A	AS-102682-07A	AS-102682-07A
3a		Bracket - Bottom Panel (Left)	AS-102859-02A	AS-102859-02A	AS-102859-02A
3b		Bracket - Blower/Heater Compartment	AS-102859-11A	AS-102859-11A	AS-102859-11A
3c		Bracket - Bottom Panel (Right)	AS-102859-12A	AS-102859-12A	AS-102859-12A
4		Post Assembly - Indoor Coil Section	AS-90620-15A	AS-90620-15A	AS-90620-15A
5		Control Box Cover	AE-90713-05	AE-90713-05	AE-90713-05
6		Control Mounting Panel	AE-90712-05	AE-90712-05	AE-90712-05
7a		Low Voltage Shield - Control Box (Upper Right)	AE-90742-07	AE-90742-07	AE-90742-07
7b		Low Voltage Shield - Control Box (Lower Left)	AE-90742-06	AE-90742-06	AE-90742-06
7c		Thermostat Chase Cover	AE-102722-01	AE-102722-01	AE-102722-01
8		Control Box Back	AS-90601-05	AS-90601-05	AS-90601-05
9		Mounting Bracket	AE-90779-02	AE-90779-02	AE-90779-02
10		Electric Heat Blockoff Plate Assembly (models with no heat)	AS-90720-03	AS-90720-03	AS-90720-03
11		Terminal Block - Heat Compartment		See Electrical Group	
12		Electric Heat Access Panel Assembly - w/Hinges, Latch, Gasket, Insulation	AS-102872-06A	AS-102872-06A	AS-102872-06A
13		Power Entry Plate Assembly	AS-90774-13A	AS-90774-13A	AS-90774-13A
14		Blower Access Panel Assembly - w/Hinges, Latch, Gasket, Insulation	AS-102872-02A	AS-102872-02A	AS-102872-02A
15		Ground Lug - Heat Compartment		See Electrical Group	
16		Mounting Frame - Heat Exchanger Frame	AS-90754-04	AS-90754-04	AS-90754-04
17		Condenser Coil Access Panel-Front	AS-90734-08A	AS-90734-08A	AS-90734-08A
38c		Post - Outdoor Coil (Front)		See Coil Group	
39c		Post - Outdoor Coil (Rear)		See Coil Group	

No.	Notes	MODEL TECHNICAL VARIATION COOLING CAPACITY	RLNL- B 180/210	RLNL- B 240	RLNL- B 300
<b>PANELS - REAR, LEFT, AND TOP (Neutra Green, Before F4411)</b>					
<b>REAR:</b>					
22		Condenser Coil Access Panel-Rear	AS-90734-09A	AS-90734-09A	AS-90734-09A
23		Rear Panel - Right	AS-90618-08A	AS-90618-08A	AS-90618-08A
24		Supply Cover	AS-90628-03A	AS-90628-03A	AS-90628-03A
25		Return Cover	AS-90628-04A	AS-90628-04A	AS-90628-04A
<b>LEFT:</b>					
26		Upper Left Panel	AS-90624-09A	AS-90624-09A	AS-90624-09A
27		Lower Left Panel	AS-90624-08A	AS-90624-08A	AS-90624-08A
28		Left Corner Panel Assembly	AS-90755-05A	AS-90755-05A	AS-90755-05A
		Bracket - Left Corner Panel Assembly (2)	AE-90779-01	AE-90779-01	AE-90779-01
		Gasket for receptacle plate	68-42514-08	68-42514-08	68-42514-08
		Gasket for disconnect plate	68-42514-09	68-42514-09	68-42514-09
29		Plate - Install inside Panel-Receptacle	AS-90756-02A	AS-90756-02A	AS-90756-02A
30		Plate - Install inside Panel-Disconnect	AS-90756-03A	AS-90756-03A	AS-90756-03A
31		Button Plug (3)	45-42558-01	45-42558-01	45-42558-01
32		Star Bushing (3)	45-18515-01	45-18515-01	45-18515-01
<b>TOP:</b>					
33a		Top Panel Assembly - Right	AS-90616-04A	AS-90616-04A	AS-90616-04A
33b		Top Panel Assembly - Left	AS-90616-05A	AS-90616-05A	AS-90616-05A
34a		Top Panel - Front	AS-90633-10A	AS-90633-10A	AS-90633-10A
34b		Top Panel - Middle	AS-90633-12A	AS-90633-11A	AS-90633-11A
34c		Top Panel - Rear	AS-90633-09A	AS-90633-09A	AS-90633-09A
35		Venturi	AS-90632-03A (4)	AS-90632-03A (6)	AS-90632-03A (6)
36		Wire Grille	95-100906-09 (4)	95-100906-09 (6)	95-100906-09 (6)
43		Drain Pan - Removable	See Coil Group		

No.	Notes	MODEL TECHNICAL VARIATION COOLING CAPACITY ELECTRICAL DESIGNATION	RLNL- B 072 C	RLNL- B 073 C	RLNL- B 085 C	RLNL- B 090 C	RLNL- B 102 C	RLNL- B 120 C	RLNL- B 150/151 C
<b>ELECTRIC GROUP</b>									
11		Terminal Block	45-41669-01	45-41669-01	45-41669-01	45-41669-01	45-41669-01	45-41669-01	45-41669-01
<b>CONTROL BOX COMPONENTS:</b>									
57	Stk	Transformer - Control	46-42515-04	46-42515-04	46-42515-04	46-42515-04	46-42515-04	46-42515-04	46-42515-04
58a		Double Row Terminal Block	45-42548-02	45-42548-02	45-42548-02	45-42548-02	45-42548-02	45-42548-02	45-42548-02
58b		Ground Lug	45-19000-02	45-19000-02	45-19000-02	45-19000-02	45-19000-02	45-19000-02	45-19000-02
59	Stk	Contactora - Blower	42-22464-01	42-22464-01	42-22464-01	42-22464-01	42-22464-01	42-22464-01	42-22464-01
60		Capacitor - Fan Motor	See Fan Group						
		High Pressure Control	See Coil Group						
		Low Pressure Control	See Coil Group						
61		Control Board	47-102884-01	47-102884-01	47-102884-01	47-102884-01	47-102884-01	47-102884-01	47-102884-01
		Pressure Control Board - On or after F4112	N/A	N/A	N/A	N/A	N/A	N/A	47-104319-02 (151 Only)
62	Stk	Compressor Contactor	42-22464-03 (1)	42-22464-03 (1)	42-22464-03 (1)	42-22464-01 (2)	42-22464-01 (2)	42-22464-01 (2)	42-22464-01 (2)
<b>WIRING HARNESES:</b>									
		Wiring Harness - Motor #1	See Fan Group						
		Wiring Harness - Motor #2	See Fan Group						
		Wiring Harness - Twist-Loc 12 Pin to 9 Pin	45-102706-05	45-102706-05	45-102706-05	45-102706-05	45-102706-05	45-102706-05	45-102706-05
		Plug Harness - Compressor	See Compressor Group						
		Wirng Harness - Main Power	45-42522-09	45-42522-09	45-42522-09	45-42522-09	45-42522-09	45-42522-09	45-42522-09
		Bypass Plug - Economizer 12 Pin	AS-61997-55	AS-61997-55	AS-61997-55	AS-61997-55	AS-61997-55	AS-61997-55	AS-61997-55
		Wiring Harness - 6 Pin to Heater Kit	45-102706-09	45-102706-09	45-102706-09	45-102706-09	45-102706-09	45-102706-09	45-102706-09
		High/Low Pressure Control Assembly (Includes both controls and Wiring Harness)	See Coil Group						

No.	Notes	MODEL TECHNICAL VARIATION COOLING CAPACITY ELECTRICAL DESIGNATION	RLNL- B 072 D	RLNL- B 073 D	RLNL- B 085 D	RLNL- B 090 D	RLNL- B 102 D	RLNL- B 120 D	RLNL- B 150/151 D
<b>ELECTRIC GROUP</b>									
11		Terminal Block	45-41669-01	45-41669-01	45-41669-01	45-41669-01	45-41669-01	45-41669-01	45-41669-01
<b>CONTROL BOX COMPONENTS:</b>									
57	Stk	Transformer - Control	46-42515-05	46-42515-05	46-42515-05	46-42515-05	46-42515-05	46-42515-05	46-42515-05
58a		Double Row Terminal Block	45-42548-02	45-42548-02	45-42548-02	45-42548-02	45-42548-02	45-42548-02	45-42548-02
58b		Ground Lug	45-19000-02	45-19000-02	45-19000-02	45-19000-02	45-19000-02	45-19000-02	45-19000-02
59	Stk	Contactora - Blower	42-22464-01	42-22464-01	42-22464-01	42-22464-01	42-22464-01	42-22464-01	42-22464-01
60		Capacitor - Fan Motor	See Fan Group						
		High Pressure Control	See Coil Group						
		Low Pressure Control	See Coil Group						
61		Control Board	47-102884-01	47-102884-01	47-102884-01	47-102884-01	47-102884-01	47-102884-01	47-102884-01
		Pressure Control Board - On or after F4112	N/A	N/A	N/A	N/A	N/A	N/A	47-104319-02 (151 Only)
62	Stk	Compressor Contactor	42-22464-03 (1)	42-22464-03 (1)	42-22464-03 (1)	42-22464-01 (2)	42-22464-01 (2)	42-22464-01 (2)	42-22464-01 (2)
<b>WIRING HARNESES:</b>									
		Wiring Harness - Motor #1	See Fan Group						
		Wiring Harness - Motor #2	See Fan Group						
		Wiring Harness - Twist-Loc 12 Pin to 9 Pin	45-102706-05	45-102706-05	45-102706-05	45-102706-05	45-102706-05	45-102706-05	45-102706-05
		Plug Harness - Compressor	See Compressor Group						
		Wirng Harness - Main Power	45-42522-09	45-42522-09	45-42522-09	45-42522-09	45-42522-09	45-42522-09	45-42522-09
		Bypass Plug - Economizer 12 Pin	AS-61997-55	AS-61997-55	AS-61997-55	AS-61997-55	AS-61997-55	AS-61997-55	AS-61997-55
		Wiring Harness - 6 Pin to Heater Kit	45-102706-09	45-102706-09	45-102706-09	45-102706-09	45-102706-09	45-102706-09	45-102706-09
		High/Low Pressure Control Assembly (Includes both controls and Wiring Harness)	See Coil Group						

No.	Notes	MODEL TECHNICAL VARIATION COOLING CAPACITY ELECTRICAL DESIGNATION	RLNL- B 072 Y	RLNL- B 073 Y	RLNL- B 085 Y	RLNL- B 090 Y	RLNL- B 102 Y	RLNL- B 120 Y	RLNL- B 150/151 Y	
<b>ELECTRIC GROUP</b>										
11		Terminal Block	45-41669-01	45-41669-01	45-41669-01	45-41669-01	45-41669-01	45-41669-01	45-41669-01	
<b>CONTROL BOX COMPONENTS:</b>										
57	Stk	Transformer - Control	46-42515-05	46-42515-05	46-42515-05	46-42515-05	46-42515-05	46-42515-05	46-42515-05	
58a		Double Row Terminal Block	45-42548-02	45-42548-02	45-42548-02	45-42548-02	45-42548-02	45-42548-02	45-42548-02	
58b		Ground Lug	45-19000-02	45-19000-02	45-19000-02	45-19000-02	45-19000-02	45-19000-02	45-19000-02	
59	Stk	Contactator - Blower	42-22464-01	42-22464-01	42-22464-01	42-22464-01	42-22464-01	42-22464-01	42-22464-01	
60		Capacitor - Fan Motor								See Fan Group
		High Pressure Control								See Coil Group
		Low Pressure Control								See Coil Group
61		Control Board	47-102884-01	47-102884-01	47-102884-01	47-102884-01	47-102884-01	47-102884-01	47-102884-01	
		Pressure Control Board - On or after F4112	N/A	N/A	N/A	N/A	N/A	N/A	47-104319-02 (151 Only)	
62	Stk	Compressor Contactator	42-22464-03 (1)	42-22464-03 (1)	42-22464-03 (1)	42-22464-01 (2)	42-22464-01 (2)	42-22464-01 (2)	42-22464-01 (2)	
<b>WIRING HARNESES:</b>										
		Wiring Harness - Motor #1								See Fan Group
		Wiring Harness - Motor #2								See Fan Group
		Wiring Harness - Twist-Loc 12 Pin to 9 Pin	45-102706-05	45-102706-05	45-102706-05	45-102706-05	45-102706-05	45-102706-05	45-102706-05	
		Plug Harness - Compressor								See Compressor Group
		Wirng Harness - Main Power	45-42522-09	45-42522-09	45-42522-09	45-42522-09	45-42522-09	45-42522-09	45-42522-09	
		Bypass Plug - Economizer 12 Pin	AS-61997-55	AS-61997-55	AS-61997-55	AS-61997-55	AS-61997-55	AS-61997-55	AS-61997-55	
		Wiring Harness - 6 Pin to Heater Kit	45-102706-09	45-102706-09	45-102706-09	45-102706-09	45-102706-09	45-102706-09	45-102706-09	
		High/Low Pressure Control Assembly (Includes both controls and Wiring Harness)								See Coil Group

No.	Notes	MODEL TECHNICAL VARIATION COOLING CAPACITY ELECTRICAL DESIGNATION	RLNL- B 180/210 C	RLNL- B 240 C	RLNL- B 241 C	RLNL- B 300 C
<b>ELECTRIC GROUP</b>						
11		Terminal Block - Heater Compartment	45-21134-04	45-21134-04	45-21134-04	45-21134-04
15		Ground Lug - Heater Compartment	45-19000-02	45-19000-02	45-19000-02	45-19000-02
<b>CONTROL BOX COMPONENTS:</b>						
57	Stk	Transformer - Control	46-42515-04	46-42515-04	46-42515-04	46-42515-04
58a		Terminal Block - Double Row	45-42548-02	45-42548-02	45-42548-02	45-42548-02
58b		Terminal Block - Power Block	45-41765-01	45-41765-01	45-41765-01	45-41765-01
58c		Ground Lug	45-19000-02	45-19000-02	45-19000-02	45-19000-02
59	Stk	Contacto - Blower	42-102664-08	42-102664-08	42-102664-08	42-102664-08
60		Run Capacitor	See Fan Group			
		High Pressure Control	See Coil Group			
		Low Pressure Control	See Coil Group			
61		Control Board	47-102884-01	47-102884-01	47-102884-01	47-102884-01
62	Stk	Compressor Contacto (2)	42-102664-12	42-102664-12	42-102664-12	42-22464-04
<b>WIRING HARNESSSES:</b>						
		Wiring Harness - Motor #1	See Fan Group			
		Wiring Harness - Motor #2	See Fan Group			
		Plug Harness - Compressor	See Compressor Group			
		Wirng Harness - Main Power	45-42522-92	45-42522-92	45-42522-92	45-42522-92
		Bypass Plug - Economizer 12 Pin	AS-61997-55	AS-61997-55	45-61997-55	AS-61997-55
		Wiring Harness - 6 Pin to Heater Kit	45-42522-91	45-42522-91	45-42522-91	45-42522-91
		Wiring Harness - Economizer (12 pin to 9 pin)	45-42522-89	45-42522-89	45-42522-89	45-42522-89
		High/Low Pressure Control Assembly (Includes both controls and Wiring Harness)	See Coil Group			

No.	Notes	MODEL TECHNICAL VARIATION COOLING CAPACITY ELECTRICAL DESIGNATION	RLNL- B 180/210 D	RLNL- B 240 D	RLNL- B 241 D	RLNL- B 300 D
<b>ELECTRIC GROUP</b>						
11		Terminal Block - Heater Compartment	45-21134-04	45-21134-04	45-21134-04	45-21134-04
15		Ground Lug - Heater Compartment	45-19000-02	45-19000-02	45-19000-02	45-19000-02
<b>CONTROL BOX COMPONENTS:</b>						
57	Stk	Transformer - Control	46-42515-05	46-42515-05	46-42515-05	46-42515-05
58a		Terminal Block - Double Row	45-42548-02	45-42548-02	45-42548-02	45-42548-02
58b		Terminal Block - Power Block	45-41765-01	45-41765-01	45-41765-01	45-41765-01
58c		Ground Lug	45-19000-02	45-19000-02	45-19000-02	45-19000-02
59	Stk	Contacto - Blower	42-22464-01	42-22464-01	42-102664-08	42-22464-01
60		Run Capacitor	See Fan Group			
		High Pressure Control	See Coil Group			
		Low Pressure Control	See Coil Group			
61		Control Board	47-102884-01	47-102884-01	47-102884-01	47-102884-01
62	Stk	Compressor Contacto (2)	42-22464-02	42-22464-02	42-102664-12	42-22464-04
<b>WIRING HARNESSSES:</b>						
		Wiring Harness - Motor #1	See Fan Group			
		Wiring Harness - Motor #2	See Fan Group			
		Plug Harness - Compressor	See Compressor Group			
		Wirng Harness - Main Power	45-42522-92	45-42522-92	45-42522-92	45-42522-92
		Bypass Plug - Economizer 12 Pin	AS-61997-55	AS-61997-55	45-61997-55	AS-61997-55
		Wiring Harness - 6 Pin to Heater Kit	45-42522-91	45-42522-91	45-42522-91	45-42522-91
		Wiring Harness - Economizer (12 pin to 9 pin)	45-42522-89	45-42522-89	45-42522-89	45-42522-89
		High/Low Pressure Control Assembly (Includes both controls and Wiring Harness)	See Coil Group			

No.	Notes	MODEL TECHNICAL VARIATION COOLING CAPACITY ELECTRICAL DESIGNATION	RLNL- B 180/210 Y	RLNL- B 240 Y	RLNL- B 241 Y	RLNL- B 300 Y
<b>ELECTRIC GROUP</b>						
11		Terminal Block - Heater Compartment	45-21134-04	45-21134-04	45-21134-04	45-21134-04
15		Ground Lug - Heater Compartment	45-19000-02	45-19000-02	45-19000-02	45-19000-02
<b>CONTROL BOX COMPONENTS:</b>						
57	Stk	Transformer - Control	46-42515-05	46-42515-05	46-42515-05	46-42515-05
58a		Terminal Block - Double Row	45-42548-02	45-42548-02	45-42548-02	45-42548-02
58b		Terminal Block - Power Block	45-41765-01	45-41765-01	45-41765-01	45-41765-01
58c		Ground Lug	45-19000-02	45-19000-02	45-19000-02	45-19000-02
59	Stk	Contactactor - Blower	42-22464-01	42-22464-01	42-102664-08	42-22464-01
60		Run Capacitor	See Fan Group			
		High Pressure Control	See Coil Group			
		Low Pressure Control	See Coil Group			
61		Control Board	47-102884-01	47-102884-01	47-102884-01	47-102884-01
62	Stk	Compressor Contactactor (2)	42-22464-02	42-22464-02	42-102664-12	42-22464-04
<b>WIRING HARNESES:</b>						
		Wiring Harness - Motor #1	See Fan Group			
		Wiring Harness - Motor #2	See Fan Group			
		Plug Harness - Compressor	See Compressor Group			
		Wirng Harness - Main Power	45-42522-92	45-42522-92	45-42522-92	45-42522-92
		Bypass Plug - Economizer 12 Pin	AS-61997-55	AS-61997-55	45-61997-55	AS-61997-55
		Wiring Harness - 6 Pin to Heater Kit	45-42522-91	45-42522-91	45-42522-91	45-42522-91
		Wiring Harness - Economizer (12 pin to 9 pin)	45-42522-89	45-42522-89	45-42522-89	45-42522-89
		High/Low Pressure Control Assembly (Includes both controls and Wiring Harness)	See Coil Group			

No.	Notes	MODEL TECHNICAL VARIATION COOLING CAPACITY ELECTRICAL DESIGNATION	RLNL- B 072 C	RLNL- B 073 C	RLNL- B 085 C	RLNL- B 090 C
<b>FAN GROUP</b>						
52	Stk	Fan Motor (2)	51-42534-24	51-42534-24	51-42534-24	51-42534-24
		Wiring Harness - Motor #1	45-102706-01	45-102706-01	45-102706-01	45-102706-01
		Wiring Harness - Motor #2	45-102706-02	45-102706-02	45-102706-02	45-102706-02
53	Stk	Fan Blade (2)	70-42572-04	70-42572-04	70-42572-04	70-42572-04
60	Stk	Capacitor - Fan Motor (2)	43-100496-12	43-100496-12	43-100496-12	43-100496-12

No.	Notes	MODEL TECHNICAL VARIATION COOLING CAPACITY ELECTRICAL DESIGNATION	RLNL- B 072 D	RLNL- B 073 D	RLNL- B 085 D	RLNL- B 090 D
<b>FAN GROUP</b>						
52	Stk	Fan Motor (2)	51-42534-25	51-42534-25	51-42534-25	51-42534-25
		Wiring Harness - Motor #1	45-102706-01	45-102706-01	45-102706-01	45-102706-01
		Wiring Harness - Motor #2	45-102706-02	45-102706-02	45-102706-02	45-102706-02
53	Stk	Fan Blade (2)	70-42572-04	70-42572-04	70-42572-04	70-42572-04
60	Stk	Capacitor - Fan Motor (2)	43-100496-12	43-100496-12	43-100496-12	43-100496-12

No.	Notes	MODEL TECHNICAL VARIATION COOLING CAPACITY ELECTRICAL DESIGNATION	RLNL- B 072 Y	RLNL- B 073 Y	RLNL- B 085 Y	RLNL- B 090 Y
<b>FAN GROUP</b>						
52	Stk	Fan Motor (2)	51-42534-26	51-42534-26	51-42534-26	51-42534-26
		Wiring Harness - Motor #1	45-102706-01	45-102706-01	45-102706-01	45-102706-01
		Wiring Harness - Motor #2	45-102706-02	45-102706-02	45-102706-02	45-102706-02
53	Stk	Fan Blade (2)	70-42572-04	70-42572-04	70-42572-04	70-42572-04
60	Stk	Capacitor - Fan Motor (2)	43-100496-12	43-100496-12	43-100496-12	43-100496-12



No.	Notes	MODEL TECHNICAL VARIATION COOLING CAPACITY ELECTRICAL DESIGNATION	RLNL- B 102 C	RLNL- B 120 C	RLNL- B 150 C
<b>FAN GROUP</b>					
52	Stk	Fan Motor (2)	51-42534-24	51-42534-24	51-42534-29
		Wiring Harness - Motor #1	45-102706-01	45-102706-01	45-102706-03
		Wiring Harness - Motor #2	45-102706-02	45-102706-02	45-102706-04
53	Stk	Fan Blade (2)	70-42572-04	70-42572-04	70-42502-03
60	Stk	Capacitor - Fan Motor (2)	43-100496-12	43-100496-12	43-100496-17

No.	Notes	MODEL TECHNICAL VARIATION COOLING CAPACITY ELECTRICAL DESIGNATION	RLNL- B 102 D	RLNL- B 120 D	RLNL- B 150 D
<b>FAN GROUP</b>					
52	Stk	Fan Motor (2)	51-42534-25	51-42534-25	51-42534-28
		Wiring Harness - Motor #1	45-102706-01	45-102706-01	45-102706-03
		Wiring Harness - Motor #2	45-102706-02	45-102706-02	45-102706-04
53	Stk	Fan Blade (2)	70-42572-04	70-42572-04	70-42502-03
60	Stk	Capacitor - Fan Motor (2)	43-100496-12	43-100496-12	43-100496-12

No.	Notes	MODEL TECHNICAL VARIATION COOLING CAPACITY ELECTRICAL DESIGNATION	RLNL- B 102 Y	RLNL- B 120 Y	RLNL- B 150 Y
<b>FAN GROUP</b>					
52	Stk	Fan Motor (2)	51-42534-26	51-42534-26	51-42534-27
		Wiring Harness - Motor #1	45-102706-01	45-102706-01	45-102706-03
		Wiring Harness - Motor #2	45-102706-02	45-102706-02	45-102706-04
53	Stk	Fan Blade (2)	70-42572-04	70-42572-04	70-42502-03
60	Stk	Capacitor - Fan Motor (2)	43-100496-12	43-100496-12	43-100496-48

No.	Notes	MODEL TECHNICAL VARIATION COOLING CAPACITY ELECTRICAL DESIGNATION	RLNL- B 151 C
<b>FAN GROUP</b>			
52	Stk	Fan Motor (2)	51-42534-29
		Wiring Harness - Motor #1 (before F4112)	45-102706-03
		Wiring Harness - Motor #1 (on or after F4112)	45-102706-24
		Wiring Harness - Motor #2 (before F4112)	45-102706-04
		Wiring Harness - Motor #2 (on or after F4112)	45-102706-27
53	Stk	Fan Blade (2)	70-103693-01
60	Stk	Capacitor - Fan Motor (2)	43-100496-17

No.	Notes	MODEL TECHNICAL VARIATION COOLING CAPACITY ELECTRICAL DESIGNATION	RLNL- B 151 D
<b>FAN GROUP</b>			
52	Stk	Fan Motor (2)	51-42534-28
		Wiring Harness - Motor #1 (before F4112)	45-102706-03
		Wiring Harness - Motor #1 (on or after F4112)	45-102706-24
		Wiring Harness - Motor #2 (before F4112)	45-102706-04
		Wiring Harness - Motor #2 (on or after F4112)	45-102706-27
53	Stk	Fan Blade (2)	70-103693-01
60	Stk	Capacitor - Fan Motor (2)	43-100496-12

No.	Notes	MODEL TECHNICAL VARIATION COOLING CAPACITY ELECTRICAL DESIGNATION	RLNL- B 151 Y
<b>FAN GROUP</b>			
52	Stk	Fan Motor (2)	51-42534-27
		Wiring Harness - Motor #1 (before F4112)	45-102706-03
		Wiring Harness - Motor #1 (on or after F4112)	45-102706-24
		Wiring Harness - Motor #2 (before F4112)	45-102706-04
		Wiring Harness - Motor #2 (on or after F4112)	45-102706-27
53	Stk	Fan Blade (2)	70-103693-01
60	Stk	Capacitor - Fan Motor (2)	43-100496-48

No.	Notes	MODEL TECHNICAL VARIATION COOLING CAPACITY ELECTRICAL DESIGNATION	RLNL- B 180/210 C	RLNL- B 240 C	RLNL- B 241 C	RLNL- B 300 C
<b>FAN GROUP</b>						
52	Stk	Fan Motor	51-42534-24 (4)	51-42534-24 (6)	51-42534-24 (6)	51-42534-24 (6)
		Wiring Harness - Motor #1 & #4	45-42522-71	45-42522-71	45-42522-71	45-42522-71
		Wiring Harness - Motor #2 & #5	N/A	45-42522-70	45-42522-70	45-42522-70
		Wiring Harness - Motor #3 & #6	45-42522-69	45-42522-69	45-42522-69	45-42522-69
53	Stk	Fan Blade	70-42572-04 (4)	70-42572-04 (6)	70-42572-04 (6)	70-42572-04 (6)
60	Stk	Run Capacitor	43-100496-12 (4)	43-100496-12 (6)	43-100496-12 (6)	43-100496-12 (6)

No.	Notes	MODEL TECHNICAL VARIATION COOLING CAPACITY ELECTRICAL DESIGNATION	RLNL- B 180/210 D	RLNL- B 240 D	RLNL- B 241 D	RLNL- B 300 D
<b>FAN GROUP</b>						
52	Stk	Fan Motor	51-42534-25 (4)	51-42534-25 (6)	51-42534-25 (6)	51-42534-25 (6)
		Wiring Harness - Motor #1 & #4	45-42522-71	45-42522-71	45-42522-71	45-42522-71
		Wiring Harness - Motor #2 & #5	N/A	45-42522-70	45-42522-70	45-42522-70
		Wiring Harness - Motor #3 & #6	45-42522-69	45-42522-69	45-42522-69	45-42522-69
53	Stk	Fan Blade	70-42572-04 (4)	70-42572-04 (6)	70-42572-04 (6)	70-42572-04 (6)
60	Stk	Run Capacitor	43-100496-12 (4)	43-100496-12 (6)	43-100496-12 (6)	43-100496-12 (6)

No.	Notes	MODEL TECHNICAL VARIATION COOLING CAPACITY ELECTRICAL DESIGNATION	RLNL- B 180/210 Y	RLNL- B 240 Y	RLNL- B 241 Y	RLNL- B 300 Y
<b>FAN GROUP</b>						
52	Stk	Fan Motor	51-42534-26 (4)	51-42534-26 (6)	51-42534-26 (6)	51-42534-26 (6)
		Wiring Harness - Motor #1 & #4	45-42522-71	45-42522-71	45-42522-71	45-42522-71
		Wiring Harness - Motor #2 & #5	N/A	45-42522-70	45-42522-70	45-42522-70
		Wiring Harness - Motor #3 & #6	45-42522-69	45-42522-69	45-42522-69	45-42522-69
53	Stk	Fan Blade	70-42572-04 (4)	70-42572-04 (6)	70-42572-04 (6)	70-42572-04 (6)
60	Stk	Run Capacitor	43-100496-12 (4)	43-100496-12 (6)	43-100496-12 (6)	43-100496-12 (6)

No.	Notes	MODEL TECHNICAL VARIATION COOLING CAPACITY DRIVE PACKAGE	RLNL-	RLNL-	RLNL-	RLNL-
			B 072 L	B 073 L	B 085 L	B 090 L
<b>BLOWER ASSEMBLY GROUP - BELT DRIVE</b>						
64	Stk	Blower Assembly (Includes Items 65-68)	AS-102711-02	AS-102711-02	AS-90757-01	AS-90757-01
65	Stk	Blower Wheel	70-21773-01	70-21773-01	70-42540-02	70-42540-02
66		Bearing Frame Tri-Arm (2)	70-41723-02	70-41723-02	70-42540-05	70-42540-05
67		Bearing with Bearing Lock (2)	70-41911-01	70-41911-01	70-41854-02	70-41854-02
68	Stk	Blower Shaft	70-21933-02	70-21933-02	70-42540-04	70-42540-04
69		Blower Mounting Angles (2)	AE-90708-01	AE-90708-01	AE-90708-01	AE-90708-01
		Blower Angle Stop	AE-90709-02	AE-90709-02	AE-90709-02	AE-90709-02
70		Motor Mount	AE-90710-05	AE-90710-05	AS-90824-01	AS-90824-01
71	Stk	Blower Motor - C/D Voltages	51-41936-03	51-41936-03	51-42536-01	51-42536-01
71	Stk	Blower Motor - Y Voltage	51-41936-04	51-41936-04	51-42536-02	51-42536-02
72	Stk	Variable Sheave	71-40427-29	71-40427-29	71-42538-02	71-42538-02
73	Stk	Belt	71-40235-46	71-40235-46	71-40438-30	71-40438-30
74	Stk	Fixed Sheave	71-100772-03	71-100772-03	N/A	N/A
74	Stk	Fixed Sheave (requires 71-100773-01 Bushing)	N/A	N/A	71-100774-05	71-100774-05
		Key	94-22030-01	94-22030-01	94-42551-09	94-42551-09
	Stk	Bushing for Sheave w/Screws	N/A	N/A	71-100773-01	71-100773-01

No.	Notes	MODEL TECHNICAL VARIATION COOLING CAPACITY DRIVE PACKAGE	RLNL-	RLNL-	RLNL-	RLNL-
			B 102 L	B 120 L	B 150 L	B 151 L
<b>BLOWER ASSEMBLY GROUP - BELT DRIVE</b>						
64	Stk	Blower Assembly (Includes Items 65-68)	AS-90757-01	AS-90757-01	AS-90757-01	AS-90757-01
65	Stk	Blower Wheel	70-42540-02	70-42540-02	70-42540-02	70-42540-02
66		Bearing Frame Tri-Arm (2)	70-42540-05	70-42540-05	70-42540-05	70-42540-05
67		Bearing with Bearing Lock (2)	70-41854-02	70-41854-02	70-41854-02	70-41854-02
68	Stk	Blower Shaft	70-42540-04	70-42540-04	70-42540-04	70-42540-04
69		Blower Mounting Angles (2)	AE-90708-01	AE-90708-01	AE-90708-01	AE-90708-01
		Blower Angle Stop	AE-90709-02	AE-90709-02	AE-90709-02	AE-90709-02
70		Motor Mount	AS-90824-01	AS-90824-01	AS-90824-01	AS-90824-01
71	Stk	Blower Motor - C/D Voltages	51-42536-01	51-42536-01	51-42537-01	51-42537-01
71	Stk	Blower Motor - Y Voltage	51-42536-02	51-42536-02	51-42537-02	51-42537-02
72	Stk	Variable Sheave	71-42538-02	71-42538-02	71-42538-02	71-42538-02
73	Stk	Belt	71-40438-27	71-40438-27	71-40438-23	71-40438-23
74	Stk	Fixed Sheave (requires 71-100773-01 Bushing)	71-100774-02	71-100774-02	71-100774-01	71-100774-01
		Key	94-42551-09	94-42551-09	94-42551-09	94-42551-09
	Stk	Bushing for Sheave w/Screws	71-100773-01	71-100773-01	71-100773-01	71-100773-01

No.	Notes	MODEL TECHNICAL VARIATION COOLING CAPACITY DRIVE PACKAGE	RLNL-	RLNL-	RLNL-	RLNL-
			B 072 M	B 073 M	B 085 M	B 090 M
<b>BLOWER ASSEMBLY GROUP - BELT DRIVE</b>						
64	Stk	Blower Assembly (Includes Items 65-68)	AS-102711-02	AS-102711-02	AS-90757-01	AS-90757-01
65	Stk	Blower Wheel	70-21773-01	70-21773-01	70-42540-02	70-42540-02
66		Bearing Frame Tri-Arm (2)	70-41723-02	70-41723-02	70-42540-05	70-42540-05
67		Bearing with Bearing Lock (2)	70-41911-01	70-41911-01	70-41854-02	70-41854-02
68	Stk	Blower Shaft	70-21933-02	70-21933-02	70-42540-04	70-42540-04
69		Blower Mounting Angles (2)	AE-90708-01	AE-90708-01	AE-90708-01	AE-90708-01
		Blower Angle Stop	AE-90709-02	AE-90709-02	AE-90709-02	AE-90709-02
70		Motor Mount	AE-90710-05	AE-90710-05	AE-90710-04	AE-90710-04
71	Stk	Blower Motor - C/D Voltages	51-41936-03	51-41936-03	51-42536-01	51-42536-01
71	Stk	Blower Motor - Y Voltage	51-41936-04	51-41936-04	51-42536-02	51-42536-02
72	Stk	Variable Sheave	71-40427-25	71-40427-25	71-42538-02	71-42538-02
73	Stk	Belt	71-40235-48	71-40235-48	71-40438-27	71-40438-27
74	Stk	Fixed Sheave	71-100772-03	71-100772-03	N/A	N/A
74	Stk	Fixed Sheave (requires 71-100773-01 Bushing)	N/A	N/A	71-100774-02	71-100774-02
		Key	94-22030-01	94-22030-01	94-42551-09	94-42551-09
	Stk	Bushing for Sheave w/Screws	N/A	N/A	71-100773-01	71-100773-01

No.	Notes	MODEL TECHNICAL VARIATION COOLING CAPACITY DRIVE PACKAGE	RLNL-	RLNL-	RLNL-	RLNL-
			B 102 M	B 120 M	B 150 M	B 151 M
<b>BLOWER ASSEMBLY GROUP - BELT DRIVE</b>						
64	Stk	Blower Assembly (Includes Items 65-68)	AS-90757-01	AS-90757-01	AS-90757-01	AS-90757-01
65	Stk	Blower Wheel	70-42540-02	70-42540-02	70-42540-02	70-42540-02
66		Bearing Frame Tri-Arm (2)	70-42540-05	70-42540-05	70-42540-05	70-42540-05
67		Bearing with Bearing Lock (2)	70-41854-02	70-41854-02	70-41854-02	70-41854-02
68	Stk	Blower Shaft	70-42540-04	70-42540-04	70-42540-04	70-42540-04
69		Blower Mounting Angles (2)	AE-90708-01	AE-90708-01	AE-90708-01	AE-90708-01
		Blower Angle Stop	AE-90709-02	AE-90709-02	AE-90709-02	AE-90709-02
70		Motor Mount	AE-90710-04	AE-90710-04	AE-90710-04	AE-90710-04
71	Stk	Blower Motor - C/D Voltages	51-42537-01	51-42537-01	51-42498-07	51-102826-06
71	Stk	Blower Motor - Y Voltage	51-42537-02	51-42537-02	51-42574-01	51-102826-08
72	Stk	Variable Sheave	71-42538-02	71-42538-02	71-40427-11	71-40427-11
73	Stk	Belt	71-40438-23	71-40438-23	71-40438-31	71-40438-31
74	Stk	Fixed Sheave (requires 71-100773-01 Bushing)	71-100774-04	71-100774-04	71-26254-06	71-26254-06
		Key	94-42551-09	94-42551-09	94-42551-09	94-42551-09
	Stk	Bushing for Sheave w/Screws	71-100773-01	71-100773-01	71-100773-01	71-100773-01

No.	Notes	MODEL TECHNICAL VARIATION COOLING CAPACITY DRIVE PACKAGE	RLNL-	RLNL-		
			B 085 N	B 090 N		
<b>BLOWER ASSEMBLY GROUP - BELT DRIVE</b>						
64	Stk	Blower Assembly (w/o Motor Mount, Belt, Fixed Sheave, and Key)	AS-90757-01	AS-90757-01		
65	Stk	Blower Wheel	70-42540-02	70-42540-02		
66		Bearing Frame Tri-Arm (2)	70-42540-05	70-42540-05		
67		Bearing with Bearing Lock (2)	70-41854-02	70-41854-02		
68	Stk	Blower Shaft	70-42540-04	70-42540-04		
69		Blower Mounting Angles (2)	AE-90708-01	AE-90708-01		
		Blower Angle Stop	AE-90709-02	AE-90709-02		
70		Motor Mount	AE-90710-04	AE-90710-04		
71	Stk	Blower Motor - C/D Voltages	51-42537-01	51-42537-01		
71	Stk	Blower Motor - Y Voltage	51-42537-02	51-42537-02		
72	Stk	Variable Sheave	71-42538-02	71-42538-02		
73	Stk	Belt	71-40438-23	71-40438-23		
74	Stk	Fixed Sheave (requires 71-100773-01 Bushing)	71-100774-04	71-100774-04		
		Key	94-42551-09	94-42551-09		
	Stk	Bushing for Sheave w/Screws	71-100773-01	71-100773-01		

No.	Notes	MODEL TECHNICAL VARIATION COOLING CAPACITY DRIVE PACKAGE	RLNL- B 180 L	RLNL- B 210 L	RLNL- B 240 L	RLNL- B 241 L	RLNL- B 300 L
<b>BLOWER ASSEMBLY GROUP - BELT DRIVE</b>							
64	Stk	Blower Assembly - Includes Items 65 and 66 (2)	AS-90757-06	AS-90757-06	AS-90757-06	AS-90757-06	AS-90757-06
65	Stk	Blower Wheel (2)	70-42564-02	70-42564-02	70-42564-02	70-42564-02	70-42564-02
66		Bearing Frame Tri-Arm (4)	70-42284-04	70-42284-04	70-42284-04	70-42284-04	70-42284-04
67		Bearing with Bearing Lock (4)	70-41854-02	70-41854-02	70-41854-02	70-41854-02	70-41854-02
68	Stk	Blower Shaft	70-42564-03	70-42564-03	70-42564-03	70-42564-03	70-42564-03
69		Blower Connector Angles (3)	AE-90798-01	AE-90798-01	AE-90798-01	AE-90798-01	AE-90798-01
70		Motor Mount	AE-90710-03	AE-90710-03	AE-90710-03	AE-90710-03	AE-90710-03
71	Stk	Blower Motor - C/D Voltages	51-42537-01	51-42537-01	51-102826-01	51-102826-06	51-102826-02
71	Stk	Blower Motor - Y Voltage	51-42537-02	51-42537-02	51-42574-01	51-42534-26	51-102826-04
72	Stk	Variable Sheave	71-42538-02	71-42538-02	71-40427-04	71-104625-11	71-40427-59
73	Stk	Belt	71-40438-43	71-40438-42	71-40438-51	71-40438-50	71-40438-54
74a	Stk	Fixed Sheave	71-100774-08	71-100774-09	71-100774-06	71-104627-16	71-100774-06
74b		Key	94-42551-09	94-42551-09	94-42551-09	94-42551-09	94-42551-09
74c	Stk	Bushing for Sheave w/Screws	71-100773-01	71-100773-01	71-100773-01	71-104629-02	71-100773-01

No.	Notes	MODEL TECHNICAL VARIATION COOLING CAPACITY DRIVE PACKAGE	RLNL- B 180 M	RLNL- B 210 M	RLNL- B 240 M	RLNL- B 241 M	RLNL- B 300 M
<b>BLOWER ASSEMBLY GROUP - BELT DRIVE</b>							
64	Stk	Blower Assembly - Includes Items 65 and 66 (2)	AS-90757-06	AS-90757-06	AS-90757-06	AS-90757-06	AS-90757-06
65	Stk	Blower Wheel (2)	70-42564-02	70-42564-02	70-42564-02	70-42564-02	70-42564-02
66		Bearing Frame Tri-Arm (4)	70-42284-04	70-42284-04	70-42284-04	70-42284-04	70-42284-04
67		Bearing with Bearing Lock (4)	70-41854-02	70-41854-02	70-41854-02	70-41854-02	70-41854-02
68	Stk	Blower Shaft	70-42564-03	70-42564-03	70-42564-03	70-42564-03	70-42564-03
69		Blower Connector Angles (3)	AE-90798-01	AE-90798-01	AE-90798-01	AE-90798-01	AE-90798-01
70		Motor Mount	AE-90710-03	AE-90710-03	AE-90710-03	AE-90710-03	AE-90710-03
71	Stk	Blower Motor - C/D Voltages	51-102826-01	51-102826-01	51-102826-02	51-102826-07	51-102826-03
71	Stk	Blower Motor - Y Voltage	51-42574-01	51-42574-01	51-102826-04	51-42534-26	51-102826-05
72	Stk	Variable Sheave	71-40427-04	71-40427-04	71-40427-59	71-104625-14	71-40427-60
73	Stk	Belt	71-40438-46	71-40438-46	71-40438-54	71-40438-54	71-102847-01
74a	Stk	Fixed Sheave	71-100774-08	71-100774-08	71-100774-06	71-104627-17	71-100774-07
74b		Key	94-42551-09	94-42551-09	94-42551-09	94-42551-09	94-42551-09
74c	Stk	Bushing for Sheave w/Screws	71-100773-01	71-100773-01	71-100773-01	71-104629-02	71-100773-01

No.	Notes	MODEL TECHNICAL VARIATION COOLING CAPACITY	RLNL- B 072	RLNL- B 073	RLNL- B 085	RLNL- B 090
<b>COIL GROUP</b>						
<b>EVAPORATOR COIL GROUP:</b>						
42	Stk	Evaporator Coil	AS-90656-70	AS-90656-88	AS-90656-76	AS-90656-68
	Stk	Distributor / Flowcheck Piston Assembly	61-102809-94	N/A	61-102912-98	N/A
	Stk	Flowcheck Piston Kit	61-25414-94	N/A	N/A	N/A
	Stk	Flowcheck Distributor	61-26113-35	N/A	N/A	N/A
	Stk	TXV - Circuit #1 (Before Date Code Fxxxx indicated)	N/A	61-101351-13 (F0514)	N/A	61-101351-11 (F1114)
	Stk	TXV - Circuit #1 (On or After Date Code Fxxxx indicated)	N/A	61-42662-19 (F0514)	N/A	61-42662-20 (F1114)
	Stk	TXV - Circuit #2 (Before Date Code Fxxxx indicated)	N/A	N/A	N/A	61-101351-11 (F1114)
	Stk	TXV - Circuit #2 (On or After Date Code Fxxxx indicated)	N/A	N/A	N/A	61-42662-20 (F1114)
		Bulb Strap Kit - TXV (2)	N/A	N/A	N/A	64-101357-01
43	Stk	Drain Pan - Removable	68-102699-02	68-102699-02	68-102699-02	68-102699-02
<b>FILTER PIECES:</b>						
44		Filter Frame	AE-90606-11	AE-90606-11	AE-90606-11	AE-90606-11
45		Air Stop - Bottom	AE-102712-10	AE-102712-10	AE-102712-10	AE-102712-10
46		Air Stop - Side	AE-102712-06	AE-102712-06	AE-102712-06	AE-102712-06
47		Top Air Stop Assembly	AS-90604-06	AS-90604-06	AS-90604-06	AS-90604-06
48		Filter Channel (2)	AE-102712-08	AE-102712-08	AE-102712-08	AE-102712-08
49		Filter Slide (2)	AE-102712-11	AE-102712-11	AE-102712-11	AE-102712-11
50		Filter (6)	54-42541-01	54-42541-01	54-42541-01	54-42541-01
<b>CONDENSER COIL:</b>						
37a	Stk	Condenser Coil	AS-102704-03	AS-102704-03	AS-102704-03	AS-102704-03
37b	Stk	Condenser Coil	N/A	N/A	AS-102839-03	AS-102704-03
38		Front Air Stop	N/A	AE-90706-19	AE-90706-19	AE-90706-19
39		Rear Air Stop	N/A	AE-90706-18	AE-90706-18	AE-90706-18
40a,b		Bottom Retainer (2)	N/A	N/A	AE-90700-03	AE-90700-03
41a		Top Support - Condenser Coil	N/A	N/A	AE-90612-09	AE-90612-09
41b		Top Support - Condenser Bulkhead	N/A	N/A	AE-90612-19	AE-90612-03
		Filter Drier - Liquid Line	83-22755-05 (1)	83-22755-10 (1)	83-40386-05 (1)	83-22755-05 (2)
		Strap - Filter Drier	N/A	N/A	N/A	AE-102132-01 (2)
	Stk	High Pressure Control	47-23699-05 (1)	47-23699-05 (1)	47-23699-05 (1)	47-23699-05 (2)
	Stk	Low Pressure Control - Before F2710	47-101529-05 (1)	N/A	47-101529-05 (1)	47-101529-05 (2)
	Stk	Low Pressure Control - After F2710	47-101529-09 (1)	47-101529-09 (1)	47-101529-09 (1)	47-101529-09 (2)
		High/Low Pressure Control Assembly (Includes both controls and Wiring Harness)	AS-102877-01	AS-102877-01	AS-102877-01	AS-102877-01

No.	Notes	MODEL TECHNICAL VARIATION COOLING CAPACITY	RLNL- B 102	RLNL- B 120	RLNL- B 150
<b>COIL GROUP</b>					
<b>EVAPORATOR COIL GROUP:</b>					
42	Stk	Evaporator Coil	AS-90656-77	AS-90656-69	AS-90656-75
	Stk	TXV - Circuit #1 (Before Date Code Fxxxx indicated)	61-101351-12 (F1514)	61-101351-13 (F0514)	61-101351-14
	Stk	TXV - Circuit #1 (On or After Date Code Fxxxx indicated)	61-42662-18 (F1514)	61-42662-19 (F0514)	61-101351-14
	Stk	TXV - Circuit #2 (Before Date Code Fxxxx indicated)	61-101351-12 (F1514)	61-101351-13 (F0514)	61-101351-14
	Stk	TXV - Circuit #2 (On or After Date Code Fxxxx indicated)	61-42662-18 (F1514)	61-42662-19 (F0514)	61-101351-14
		Bulb Strap Kit - TXV (2)	64-101357-01	64-101357-01	64-101357-01
43	Stk	Drain Pan - Removable	68-102699-02	68-102699-02	68-102699-02
<b>FILTER PIECES:</b>					
44		Filter Frame	AE-90606-11	AE-90606-11	AE-90606-11
45		Air Stop - Bottom	AE-102712-10	AE-102712-10	AE-102712-10
46		Air Stop - Side	AE-102712-06	AE-102712-06	AE-102712-06
47		Top Air Stop Assembly	AS-90604-06	AS-90604-06	AS-90604-06
48		Filter Channel (2)	AE-102712-08	AE-102712-08	AE-102712-08
49		Filter Slide (2)	AE-102712-11	AE-102712-11	AE-102712-11
50		Filter (6)	54-42541-01	54-42541-01	54-42541-01
<b>CONDENSER COIL:</b>					
37a	Stk	Condenser Coil	AS-90656-25	AS-90656-42	65-101478-01
37b	Stk	Condenser Coil	AS-90656-25	AS-90656-42	65-101478-01
38		Front Air Stop	AE-90706-19	AE-90706-19	N/A
39		Rear Air Stop	AE-90706-18	AE-90706-18	N/A
40a,b		Bottom Retainer (2)	AE-90700-02	AE-90700-02	N/A
40a		Micro-Channel Coil Mounting Base - Left	N/A	N/A	68-102752-01
40b		Micro-Channel Coil Mounting Base - Right	N/A	N/A	68-102752-02
41a		Top Support - Condenser Coil	AE-90612-02	AE-90612-02	AE-90612-13
41b		Top Support - Condenser Bulkhead	AE-90612-03	AE-90612-03	AE-90612-05
		Filter Drier - Liquid Line	83-22755-05 (2)	83-22755-05 (2)	83-22755-05 (2)
		Strap - Filter Drier	AE-102132-01 (2)	AE-102132-01 (2)	AE-102132-01 (2)
	Stk	High Pressure Control	47-23699-05 (2)	47-23699-05 (2)	47-23699-05 (2)
	Stk	Low Pressure Control - Before F2710	47-101529-05 (2)	47-101529-05 (2)	47-101529-05 (2)
	Stk	Low Pressure Control - After F2710	47-101529-09 (2)	47-101529-09 (2)	47-101529-09 (2)
		High/Low Pressure Control Assembly (Includes both controls and Wiring Harness)	AS-102877-01	AS-102877-01	AS-102877-01



No.	Notes	MODEL TECHNICAL VARIATION COOLING CAPACITY	RLNL- B 151
<b>COIL GROUP</b>			
<b>EVAPORATOR COIL GROUP:</b>			
42	Stk	Evaporator Coil	AS-90656-75
		TXV - Circuit #1	61-101351-14
		TXV - Circuit #2	61-101351-14
		Bulb Strap Kit - TXV (2)	64-101357-01
43	Stk	Drain Pan - Removable	68-102699-02
<b>FILTER PIECES:</b>			
44		Filter Frame	AE-90606-11
45		Air Stop - Bottom	AE-102712-10
46		Air Stop - Side	AE-102712-06
47		Top Air Stop Assembly	AS-90604-06
48		Filter Channel (2)	AE-102712-08
49		Filter Slide (2)	AE-102712-11
50		Filter (6)	54-42541-01
<b>CONDENSER COIL:</b>			
37a	Stk	Condenser Coil	65-101478-08
37b	Stk	Condenser Coil	65-101478-08
38		Front Air Stop	N/A
39		Rear Air Stop	N/A
40a,b		Bottom Retainer (2)	N/A
40a		Micro-Channel Coil Mounting Base - Left	68-102752-01
40b		Micro-Channel Coil Mounting Base - Right	68-102752-02
41a		Top Support - Condenser Coil	AE-90612-13
41b		Top Support - Condenser Bulkhead	AE-90612-05
		Filter Drier - Liquid Line (2)	83-22755-05
		Strap - Filter Drier (2)	AE-102132-01
	Stk	High Pressure Control - Before F4112 (2)	47-23699-05
	Stk	High Pressure Control - On or After F4112 (2)	47-103669-01
	Stk	Low Pressure Control (2)	47-101529-09
		High/Low Pressure Control Assembly (Includes both controls and Wiring Harness) - Before F4112 (2)	AS-102877-01

No.	Notes	MODEL TECHNICAL VARIATION COOLING CAPACITY	RLNL- B 180	RLNL- B 210	RLNL- B 240	RLNL- B 241	RLNL- B 300
<b>COIL GROUP (Granite/Steel Gray)</b>							
<b>EVAPORATOR COIL GROUP:</b>							
40		Air Flow Panel	AS-90828-02H	AS-90828-02H	AS-90828-02H	AE-90828-02HT	AS-90828-02H
42	Stk	Complete Coil - Indoor	AS-102821-03	AS-102821-03	AS-102652-03	AS-104258-03	AS-102428-03
	Stk	TXV/Distributor Assembly - Circuit #1	61-102845-01	61-102845-01	61-102687-01	61-102815-01	61-102815-01
	Stk	TXV/Distributor Assembly - Circuit #2	61-102845-01	61-102845-01	61-102687-01	61-102815-01	61-102815-01
43	Stk	Drain Pan - Removable	68-102699-01	68-102699-01	68-102699-01	68-102699-01	68-102699-01
<b>FILTER PIECES:</b>							
44		Filter Frame	AE-90606-10	AE-90606-10	AE-90606-10	AE-90606-10	AE-90606-10
45	1	Air Stop - Bottom (Before F1811) - See Note 1	AE-102712-05	AE-102712-05	AE-102712-05	N/A	AE-102712-05
45		Air Stop - Bottom (After F1811)	AE-102712-17	AE-102712-17	AE-102712-17	AE-102712-17	AE-102712-17
46	1	Air Stop - Side (Before F1811) - See Note 1	AE-102712-01	AE-102712-01	AE-102712-01	N/A	AE-102712-01
46		Air Stop - Side (After F1811)	AE-102712-14	AE-102712-14	AE-102712-14	AE-102712-14	AE-102712-14
47		Top Air Stop Assembly	AS-90604-04	AS-90604-04	AS-90604-04	AS-90604-04	AS-90604-04
48	1	Filter Channel (2) (Before F1811) - See Note 1	AE-102712-03	AE-102712-03	AE-102712-03	N/A	AE-102712-03
48		Filter Channel (2) (After F1811)	AE-102712-16	AE-102712-16	AE-102712-16	AE-102712-16	AE-102712-16
49	1	Filter Slide (2) (Before F1811) - See Note 1	AE-102712-02	AE-102712-02	AE-102712-02	N/A	AE-102712-02
49		Filter Slide (2) (After F1811)	AE-102712-15	AE-102712-15	AE-102712-15	AE-102712-15	AE-102712-15
50		Filter - 20 in. x 25 in. x 2 in. (8)	54-42541-04	54-42541-04	54-42541-04	54-42541-04	54-42541-04
<b>CONDENSER COIL:</b>							
37	Stk	Condenser Coil Assembly (2)	AS-102647-03	AS-103204-03	AS-102666-03	N/A	AS-102666-03
37	Stk	Micro Channel Coil (2)	N/A	N/A	N/A	65-101478-09	N/A
38a		Air Stop - Front	AE-90706-13	AE-90706-13	AE-90706-13	AE-90706-25	AE-90706-13
38b		Corner Brace - Top Front	AS-90706-16H	AS-90706-16H	AS-90706-16H	AE-90706-16HT	AS-90706-16H
38c		Post - Front	AS-90706-14H	AS-90706-14H	AS-90706-14H	AE-90706-22HT	AS-90706-14H
39a		Air Stop - Rear	AE-90706-12	AE-90706-12	AE-90706-12	AE-90706-24	AE-90706-12
39b		Corner Brace - Top Rear	AS-90706-17H	AS-90706-17H	AS-90706-17H	AE-90706-17HT	AS-90706-17H
39c		Post - Rear	AS-90706-15H	AS-90706-15H	AS-90706-15H	AE-90706-23HT	AS-90706-15H
41		Air Stop- Top Right	AS-90753-08H	AS-90753-08H	AS-90753-08H	AE-90753-08HT	AS-90753-08H
41a		Top Support - Inner Condenser Coil (2)	AE-90612-21	AE-90612-08	AE-90612-08	AE-90612-28	AE-90612-08
41b		Top Support - Outer Condenser Coil	AE-90612-20	AE-90612-11	AE-90612-11	AE-90612-20	AE-90612-11
41c		Top Support - Condenser Bulkhead	AE-90612-18	AE-90612-06	AE-90612-06	AE-90612-27	AE-90612-06
		Filter Drier - Liquid Line (2)	83-22755-11	83-22755-11	83-22755-11	83-22755-19	83-22755-11
	Stk	High Pressure Control	47-23699-05	47-23699-05	47-23699-05	47-23699-04	47-23699-05
	Stk	Low Pressure Control	47-101529-09 (2)	47-101529-09 (2)	47-101529-09 (2)	47-101529-09	47-101529-09 (2)
		High/Low Pressure Control Assembly (Includes both controls and Wiring Harness)	AS-102877-01	AS-102877-01	AS-102877-01	N/A	AS-102877-01

No.	Notes	MODEL TECHNICAL VARIATION COOLING CAPACITY	RLNL- B 180	RLNL- B 210	RLNL- B 240	RLNL- B 300
<b>COIL GROUP (Neutra Green)</b>						
<b>EVAPORATOR COIL GROUP:</b>						
40		Air Flow Panel	AS-90828-02A	AS-90828-02A	AS-90828-02A	AS-90828-02A
42	Stk	Complete Coil - Indoor	AS-102821-03	AS-102821-03	AS-102652-03	AS-102428-03
	Stk	TXV/Distributor Assembly - Circuit #1	61-102845-01	61-102845-01	61-102687-01	61-102815-01
	Stk	TXV/Distributor Assembly - Circuit #2	61-102845-01	61-102845-01	61-102687-01	61-102815-01
43	Stk	Drain Pan - Removable	68-102699-01	68-102699-01	68-102699-01	68-102699-01
<b>FILTER PIECES:</b>						
44		Filter Frame	AE-90606-10	AE-90606-10	AE-90606-10	AE-90606-10
45	1	Air Stop - Bottom (Before F1811) - See Note 1	AE-102712-05	AE-102712-05	AE-102712-05	AE-102712-05
45		Air Stop - Bottom (After F1811)	AE-102712-17	AE-102712-17	AE-102712-17	AE-102712-17
46	1	Air Stop - Side (Before F1811) - See Note 1	AE-102712-01	AE-102712-01	AE-102712-01	AE-102712-01
46		Air Stop - Side (After F1811)	AE-102712-14	AE-102712-14	AE-102712-14	AE-102712-14
47		Top Air Stop Assembly	AS-90604-04	AS-90604-04	AS-90604-04	AS-90604-04
48	1	Filter Channel (2) (Before F1811) - See Note 1	AE-102712-03	AE-102712-03	AE-102712-03	AE-102712-03
48		Filter Channel (2) (After F1811)	AE-102712-16	AE-102712-16	AE-102712-16	AE-102712-16
49	1	Filter Slide (2) (Before F1811) - See Note 1	AE-102712-02	AE-102712-02	AE-102712-02	AE-102712-02
49		Filter Slide (2) (After F1811)	AE-102712-15	AE-102712-15	AE-102712-15	AE-102712-15
50		Filter - 20 in. x 25 in. x 2 in. (8)	54-42541-04	54-42541-04	54-42541-04	54-42541-04
<b>CONDENSER COIL:</b>						
37	Stk	Condenser Coil Assembly (2)	AS-102647-03	AS-103204-03	AS-102666-03	AS-102666-03
38a		Air Stop - Front	AE-90706-13	AE-90706-13	AE-90706-13	AE-90706-13
38b		Corner Brace - Top Front	AS-90706-16A	AS-90706-16A	AS-90706-16A	AS-90706-16A
38c		Post - Front	AS-90706-14A	AS-90706-14A	AS-90706-14A	AS-90706-14A
39a		Air Stop - Rear	AE-90706-12	AE-90706-12	AE-90706-12	AE-90706-12
39b		Corner Brace - Top Rear	AS-90706-17A	AS-90706-17A	AS-90706-17A	AS-90706-17A
39c		Post - Rear	AS-90706-15A	AS-90706-15A	AS-90706-15A	AS-90706-15A
41		Air Stop- Top Right	AS-90753-08A	AS-90753-08A	AS-90753-08A	AS-90753-08A
41a		Top Support - Inner Condenser Coil (2)	AE-90612-21	AE-90612-08	AE-90612-08	AE-90612-08
41b		Top Support - Outer Condenser Coil	AE-90612-20	AE-90612-11	AE-90612-11	AE-90612-11
41c		Top Support - Condenser Bulkhead	AE-90612-18	AE-90612-06	AE-90612-06	AE-90612-06
		Filter Drier - Liquid Line (2)	83-22755-11	83-22755-11	83-22755-11	83-22755-11
	Stk	High Pressure Control	47-23699-05	47-23699-05	47-23699-05	47-23699-05
	Stk	Low Pressure Control - Before F2710	47-101529-05 (2)	47-101529-05 (2)	47-101529-05 (2)	47-101529-05 (2)
	Stk	Low Pressure Control - After F2710	47-101529-09 (2)	47-101529-09 (2)	47-101529-09 (2)	47-101529-09 (2)
		High/Low Pressure Control Assembly (Includes both controls and Wiring Harness)	AS-102877-01	AS-102877-01	AS-102877-01	AS-102877-01

No.	Notes	MODEL TECHNICAL VARIATION COOLING CAPACITY ELECTRICAL DESIGNATION	RLNL- B 072 C	RLNL- B 073 C	RLNL- B 085 C	RLNL- B 090 C
<b>COMPRESSOR GROUP</b>						
		<b>Compressor ID:</b>	<b>7916</b>	<b>8597</b>	<b>7910</b>	<b>7897</b>
75	Stk	Compressor #1	55-102045-37S	55-102471-21S	55-102045-43S	55-102045-08S
75	Stk	Compressor #2	N/A	N/A	N/A	55-102045-08S
	Stk	Cranckcase Heater	44-17402-10	44-17402-10	44-17402-10	N/A
	Stk	Plug Harness - Compressor #1	45-102708-01	45-102708-01	45-102708-01	45-102708-01
	Stk	Plug Harness - Compressor #2	N/A	N/A	N/A	45-102708-02

No.	Notes	MODEL TECHNICAL VARIATION COOLING CAPACITY ELECTRICAL DESIGNATION	RLNL- B 072 D	RLNL- B 073 D	RLNL- B 085 D	RLNL- B 090 D
<b>COMPRESSOR GROUP</b>						
		<b>Compressor ID:</b>	<b>7917</b>	<b>8598</b>	<b>7911</b>	<b>7898</b>
75	Stk	Compressor #1	55-102045-38S	55-102471-22S	55-102045-45S	55-102045-07S
75	Stk	Compressor #2	N/A	N/A	N/A	55-102045-07S
	Stk	Cranckcase Heater	44-17402-11	44-17402-11	44-17402-11	N/A
	Stk	Plug Harness - Compressor #1	45-102708-01	45-102708-01	45-102708-01	45-102708-01
	Stk	Plug Harness - Compressor #2	N/A	N/A	N/A	45-102708-02

No.	Notes	MODEL TECHNICAL VARIATION COOLING CAPACITY ELECTRICAL DESIGNATION	RLNL- B 072 Y	RLNL- B 073 Y	RLNL- B 085 Y	RLNL- B 090 Y
<b>COMPRESSOR GROUP</b>						
		<b>Compressor ID:</b>	<b>7918</b>	<b>8599</b>	<b>7912</b>	<b>7899</b>
75	Stk	Compressor #1	55-102045-39S	55-102471-23S	55-102045-44S	55-102045-42S
75	Stk	Compressor #2	N/A	N/A	N/A	55-102045-42S
	Stk	Cranckcase Heater	44-17402-12	44-17402-12	44-17402-12	N/A
	Stk	Plug Harness - Compressor #1	45-102708-01	45-102708-01	45-102708-01	45-102708-01
	Stk	Plug Harness - Compressor #2	N/A	N/A	N/A	45-102708-02

No.	Notes	MODEL TECHNICAL VARIATION COOLING CAPACITY ELECTRICAL DESIGNATION	RLNL- B 102 C	RLNL- B 120 C	RLNL- B 150 C	RLNL- B 151 C
<b>COMPRESSOR GROUP</b>						
		<b>Compressor ID:</b>	<b>7940</b>	<b>7946</b>	<b>7900</b>	<b>8306</b>
75	Stk	Compressor #1	55-102045-34S	55-102045-27S	55-102471-18S	55-102471-18S
75	Stk	Compressor #2	55-102045-34S	55-102045-27S	55-102471-14S	55-102471-14S
	Stk	Cranckcase Heater	N/A	N/A	N/A	N/A
	Stk	Plug Harness - Compressor #1	45-102708-01	45-102708-01	45-102708-03	45-102708-03
	Stk	Plug Harness - Compressor #2	45-102708-02	45-102708-02	45-102708-04	45-102708-04
		<b>Compressor ID:</b>	<b>8789</b>			
75	Stk	Compressor #1	55-102045-93S			
75	Stk	Compressor #2	55-102045-93S			
	Stk	Cranckcase Heater	N/A			
	Stk	Plug Harness - Compressor #1	45-102708-01			
	Stk	Plug Harness - Compressor #2	45-102708-02			

No.	Notes	MODEL TECHNICAL VARIATION COOLING CAPACITY ELECTRICAL DESIGNATION	RLNL- B 102 D	RLNL- B 120 D	RLNL- B 150 D	RLNL- B 151 D
<b>COMPRESSOR GROUP</b>						
		<b>Compressor ID:</b>	<b>7941</b>	<b>7947</b>	<b>7901</b>	<b>8307</b>
75	Stk	Compressor #1	55-102045-35S	55-102045-28S	55-102471-19S	55-102471-19S
75	Stk	Compressor #2	55-102045-35S	55-102045-28S	55-102471-16S	55-102471-16S
	Stk	Cranckcase Heater	N/A	N/A	N/A	N/A
	Stk	Plug Harness - Compressor #1	45-102708-01	45-102708-01	45-102708-03	45-102708-03
	Stk	Plug Harness - Compressor #2	45-102708-02	45-102708-02	45-102708-04	45-102708-04
		<b>Compressor ID:</b>	<b>8790</b>			
75	Stk	Compressor #1	55-102045-94S			
75	Stk	Compressor #2	55-102045-94S			
	Stk	Cranckcase Heater	N/A			
	Stk	Plug Harness - Compressor #1	45-102708-01			
	Stk	Plug Harness - Compressor #2	45-102708-02			

No.	Notes	MODEL TECHNICAL VARIATION COOLING CAPACITY ELECTRICAL DESIGNATION	RLNL- B 102 Y	RLNL- B 120 Y	RLNL- B 150 Y	RLNL- B 151 Y
<b>COMPRESSOR GROUP</b>						
		<b>Compressor ID:</b>	<b>7942</b>	<b>7948</b>	<b>7902</b>	<b>8308</b>
75	Stk	Compressor #1	55-102045-36S	55-102045-41S	55-102471-17S	55-102471-17S
75	Stk	Compressor #2	55-102045-36S	55-102045-41S	55-102471-15S	55-102471-15S
	Stk	Cranckcase Heater	N/A	N/A	N/A	N/A
	Stk	Plug Harness - Compressor #1	45-102708-01	45-102708-01	45-102708-03	45-102708-03
	Stk	Plug Harness - Compressor #2	45-102708-02	45-102708-02	45-102708-04	45-102708-04
		<b>Compressor ID:</b>	<b>8791</b>			
75	Stk	Compressor #1	55-102045-95S			
75	Stk	Compressor #2	55-102045-95S			
	Stk	Cranckcase Heater	N/A			
	Stk	Plug Harness - Compressor #1	45-102708-01			
	Stk	Plug Harness - Compressor #2	45-102708-02			

No.	Notes	MODEL TECHNICAL VARIATION COOLING CAPACITY ELECTRICAL DESIGNATION	RLNL- B 180 C	RLNL- B 210 C	RLNL- B 240 C	RLNL- B 241 C	RLNL- B 300 C
<b>COMPRESSOR GROUP</b>							
		<b>Compressor:</b>	<b>7882</b>	<b>8053</b>	<b>7885</b>	<b>9523</b>	<b>7888</b>
75	Stk	Compressor #1	55-23156-20S	55-102471-03S	55-102471-02S	55-102471-01	55-102471-13S
75	Stk	Compressor #2	55-23156-20S	55-102471-03S	55-102471-03S	55-102471-24	55-102471-13S
	Stk	Plug Harness - Compressor #1	45-42522-73	45-42522-73	45-42522-73	45-42522-73	45-42522-73
	Stk	Plug Harness - Compressor #2	45-42522-72	45-42522-72	45-42522-72	45-42522-72	45-42522-72

No.	Notes	MODEL TECHNICAL VARIATION COOLING CAPACITY ELECTRICAL DESIGNATION	RLNL- B 180 D	RLNL- B 210 D	RLNL- B 240 D	RLNL- B 241 D	RLNL- B 300 D
<b>COMPRESSOR GROUP</b>							
		<b>Compressor:</b>	<b>7883</b>	<b>8054</b>	<b>7886</b>	<b>9524</b>	<b>7889</b>
75	Stk	Compressor #1	55-23156-21S	55-102471-07S	55-102471-09S	55-102471-04	55-102471-08S
75	Stk	Compressor #2	55-23156-21S	55-102471-07S	55-102471-07S	55-102471-25	55-102471-08S
	Stk	Plug Harness - Compressor #1	45-42522-73	45-42522-73	45-42522-73	45-42522-73	45-42522-73
	Stk	Plug Harness - Compressor #2	45-42522-72	45-42522-72	45-42522-72	45-42522-72	45-42522-72

No.	Notes	MODEL TECHNICAL VARIATION COOLING CAPACITY ELECTRICAL DESIGNATION	RLNL- B 180 Y	RLNL- B 210 Y	RLNL- B 240 Y	RLNL- B 240 Y	RLNL- B 300 Y
<b>COMPRESSOR GROUP</b>							
		<b>Compressor:</b>	<b>7884</b>	<b>8055</b>	<b>7887</b>	<b>9525</b>	<b>7890</b>
75	Stk	Compressor #1	55-23156-22S	55-102471-10S	55-102471-11S	55-102471-05	55-102471-12S
75	Stk	Compressor #2	55-23156-22S	55-102471-10S	55-102471-10S	55-102471-26	55-102471-12S
	Stk	Plug Harness - Compressor #1	45-42522-73	45-42522-73	45-42522-73	45-42522-73	45-42522-73
	Stk	Plug Harness - Compressor #2	45-42522-72	45-42522-72	45-42522-72	45-42522-72	45-42522-72

No.	Notes	MODEL TECHNICAL VARIATION COOLING CAPACITY	RLNL- B 072-151	RLNL- B 072-151	RLNL- B 072-151	RLNL- B 072-151	RLNL- B 072-151
<b>ELECTRIC HEATER KITS - ELECTRICAL DESIGNATION C</b>							
		Electric Element Kits - Option	RXJJ-CC10C	RXJJ-CC15C	RXJJ-CC20C	RXJJ-CC30C	RXJJ-CC31C
		Electric Element Kits - Option	RXJJ-CC40C	RXJJ-CC41C	RXJJ-CC50C	RXJJ-CC51C	
<b>ELECTRIC HEATER KITS - ELECTRICAL DESIGNATION D</b>							
		Electric Element Kits - Option	RXJJ-CC10D	RXJJ-CC15D	RXJJ-CC20D	RXJJ-CC30D	RXJJ-CC31D
		Electric Element Kits - Option	RXJJ-CC40D	RXJJ-CC50D	RXJJ-CC51D		
<b>ELECTRIC HEATER KITS - ELECTRICAL DESIGNATION Y</b>							
		Electric Element Kits - Option	RXJJ-CC10Y	RXJJ-CC15Y	RXJJ-CC20Y	RXJJ-CC30Y	RXJJ-CC40Y
		Electric Element Kits - Option	RXJJ-CC50Y				

No.	Notes	MODEL TECHNICAL VARIATION COOLING CAPACITY	RLNL- B 180-300	RLNL- B 180-300	RLNL- B 180-300	RLNL- B 180-300	
<b>ELECTRIC HEATER KITS - ELECTRICAL DESIGNATION C</b>							
		Electric Element Kits - Option	RXJJ-CE20C	RXJJ-CE40C	RXJJ-CE60C	RXJJ-CE75C	
<b>ELECTRIC HEATER KITS - ELECTRICAL DESIGNATION D</b>							
		Electric Element Kits - Option	RXJJ-CE20D	RXJJ-CE40D	RXJJ-CE60D	RXJJ-CE75D	
<b>ELECTRIC HEATER KITS - ELECTRICAL DESIGNATION Y</b>							
		Electric Element Kits - Option	RXJJ-CE20Y	RXJJ-CE40Y	RXJJ-CE60Y	RXJJ-CE75Y	

No.	Notes	MODEL TECHNICAL VARIATION COOLING CAPACITY	RLNL- B 072-151
<b>ACCESSORIES</b>			
		Louver Panel - Option (6 - 10 Ton) (Neutra Green)	RXXR-AAD01C
		Louver Panel - Option (6 - 10 Ton) (Granite/Steel Gray)	AXRX-AAD01C
		Carbon Dioxide Sensor	RXXR-AR02
		Dual Enthalpy Kit	RXXR-AV02
		Manual Fresh Air (Left Panel Mounted) (Neutra Green)	RXRF-KDA1
		Manual Fresh Air (Left Panel Mounted) (Granite/Steel Gray)	AXRF-KDA1
		Motor Kit for ()XRF-KDA1	RXXR-AW02
		Manual Fresh Air (Return Panel) (Neutra Green)	RXRF-JDA1
		Manual Fresh Air (Return Panel) (Granite/Steel Gray)	AXRF-JDA1
		Motorized Fresh Air (Return Panel) (Neutra Green)	RXRF-JDB1
		Motorized Fresh Air (Return Panel) (Granite/Steel Gray)	AXRF-JDB1
		Time Delay Relay - Option	RXMD-A04
		Freeze Stat - Option	RXXR-AM01
		Convenience Outlet - Option	RXXR-AN01
		Low Ambient Control Kit (1 Per Compressor)	RXRZ-C02

No.	Notes	MODEL TECHNICAL VARIATION COOLING CAPACITY	RLNL- B 072-151
<b>ECONOMIZERS</b>			
		Economizer - Single Enthalpy (Neutra Green)	RXRD-PDCM3
		Economizer - Single Enthalpy (Granite/Steel Gray)	AXRD-PDCM3
		Economizer - Single Enthalpy w/Smoke Detector (Neutra Green)	RXRD-SDCM3
		Economizer - Single Enthalpy w/Smoke Detector (Granite/Steel Gray)	AXRD-SDCM3
		Horizontal Economizer - Single Enthalpy (Neutra Green)	RXRD-RDCM3
		Horizontal Economizer - Single Enthalpy (Granite/Steel Gray)	AXRD-RDCM3

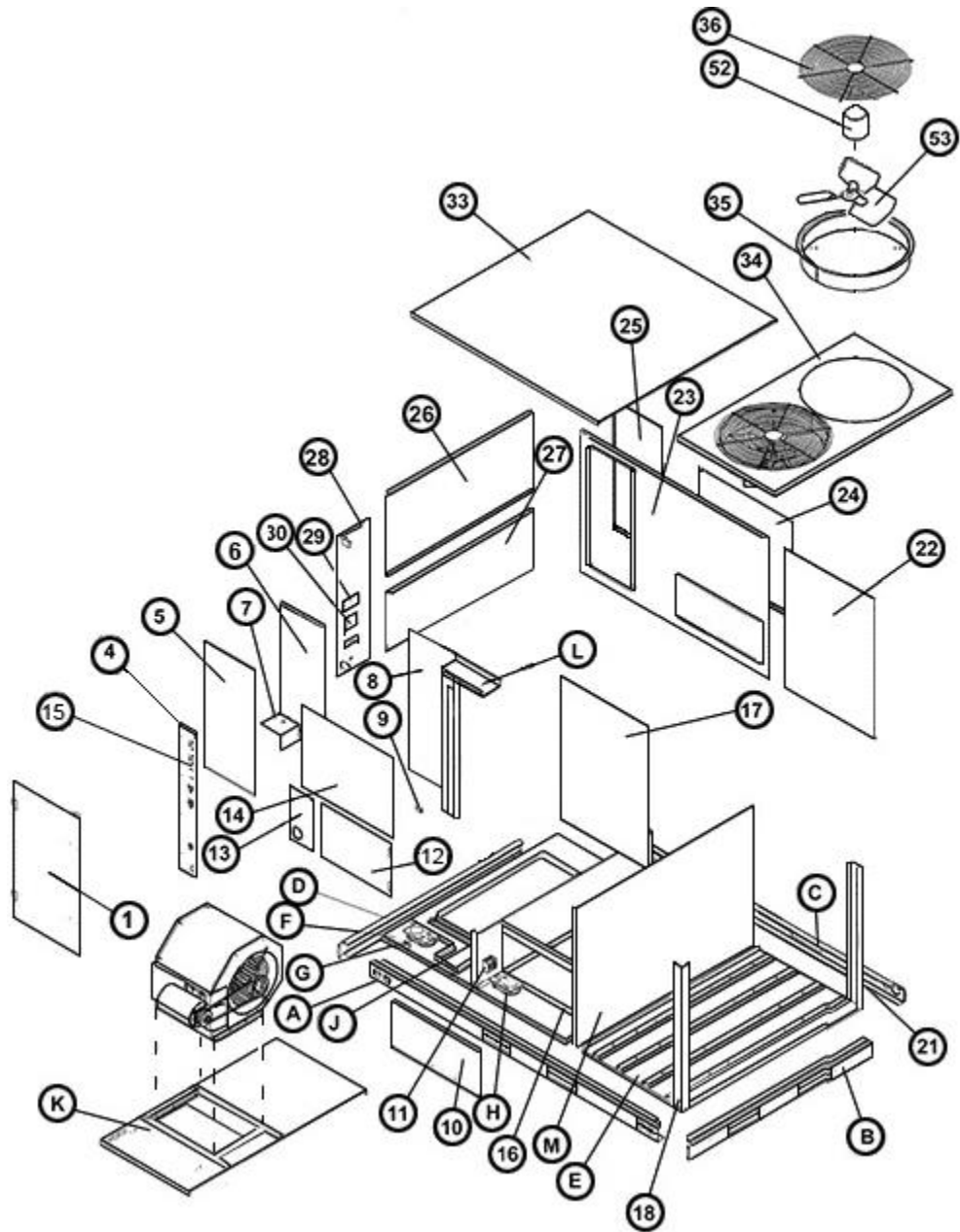
No.	Notes	MODEL TECHNICAL VARIATION COOLING CAPACITY	RLNL- B 072-151
<b>POWER EXHAUST</b>			
		Power Exhaust	RXXR-BFF02C
		Power Exhaust	RXXR-BFF02D
		Power Exhaust	RXXR-BFF02Y



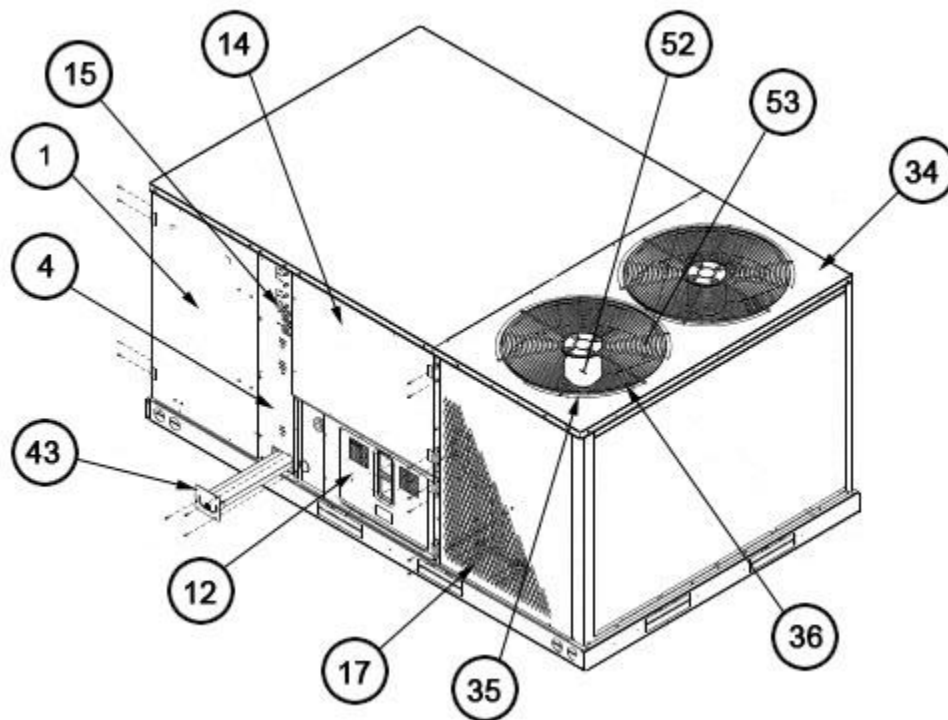
No.	Notes	MODEL TECHNICAL VARIATION COOLING CAPACITY	RLNL- B 180-300
<b>ACCESSORIES</b>			
		Carbon Dioxide Sensor	RXXR-AR02
		Dual Enthalpy Kit	RXXR-AV02
		Manual Fresh Air Damper (Neutra Green)	RXRF-KFA1
		Manual Fresh Air Damper (Granite/Steel Gray)	AXRF-KFA1
		Motorized Kit for ( )XRF-KFA1	RXXR-AW03
		Freeze Stat Kit	RXXR-AM03
		Unwired Convenience Outlet	RXXR-AN01
		Low Ambient Control Kit (1 Per Compressor)	RXRZ-C02
		Louver Panel Kit (Hail Guard) - Left and Right (Granite/Steel Gray)	AXRX-AAD01L

No.	Notes	MODEL TECHNICAL VARIATION COOLING CAPACITY	RLNL- B 180-300
<b>ECONOMIZERS</b>			
		Downflow Economizer - Single Enthalpy (Neutra Green)	RXRD-PGCM3
		Downflow Economizer - Single Enthalpy (Granite/Steel Gray)	AXRD-PGCM3
		Downflow Economizer - Single Enthalpy w/Smoke Detector (Neutra Green)	RXRD-SGCM3
		Downflow Economizer - Single Enthalpy w/Smoke Detector (Granite/Steel Gray)	AXRD-SGCM3
		Horizontal Economizer - Single Enthalpy (Neutra Green)	RXRD-RGCM3
		Horizontal Economizer - Single Enthalpy (Granite/Steel Gray)	AXRD-RGCM3

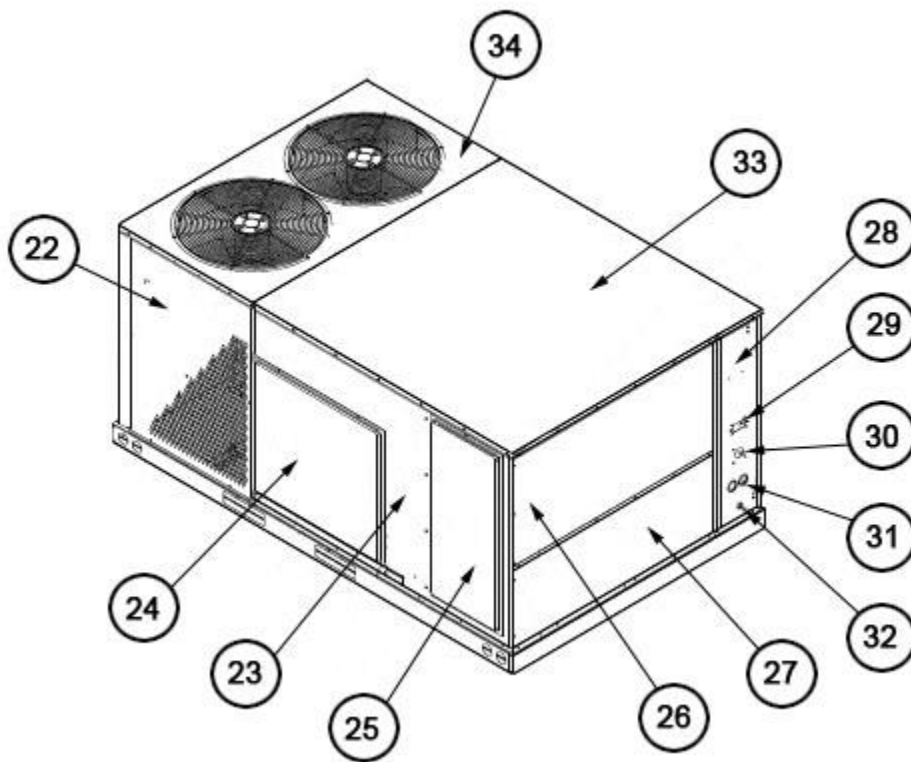
No.	Notes	MODEL TECHNICAL VARIATION COOLING CAPACITY	RLNL- B 180-300
<b>POWER EXHAUST</b>			
		Power Exhaust	RXXR-BGF05C
		Power Exhaust	RXXR-BGF05D
		Power Exhaust	RXXR-BGF05Y



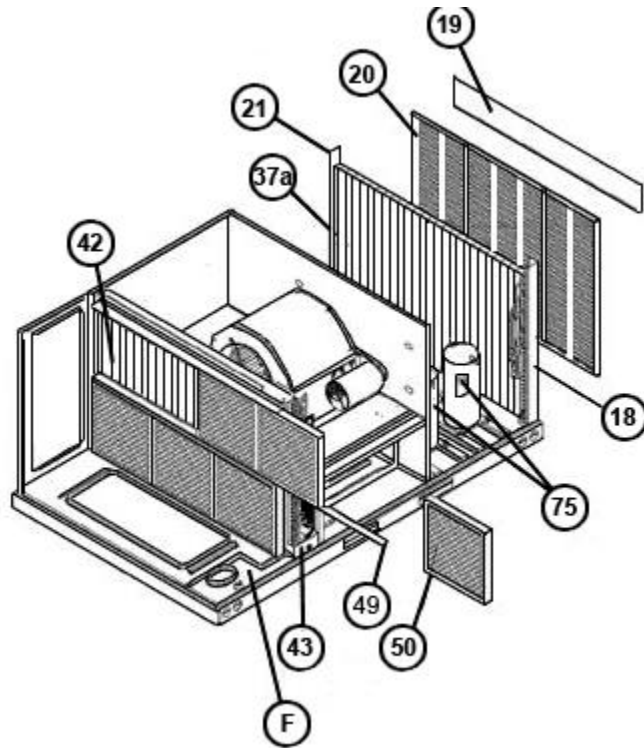
Exploded View 072-151



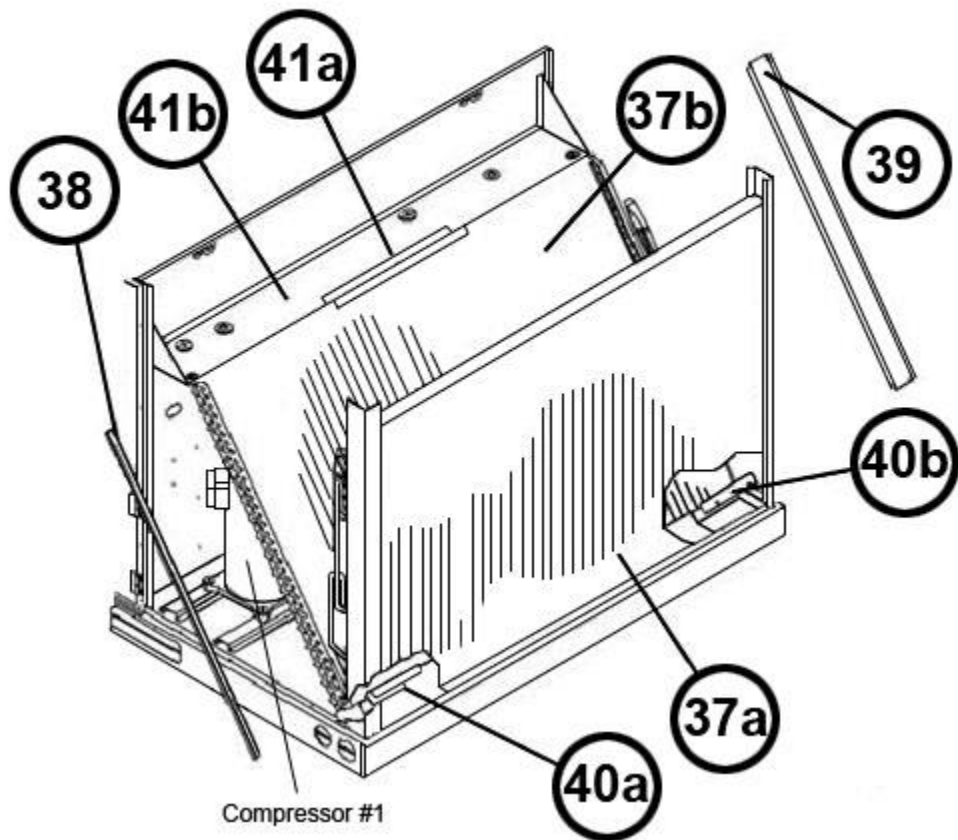
Exterior - Front 072-151



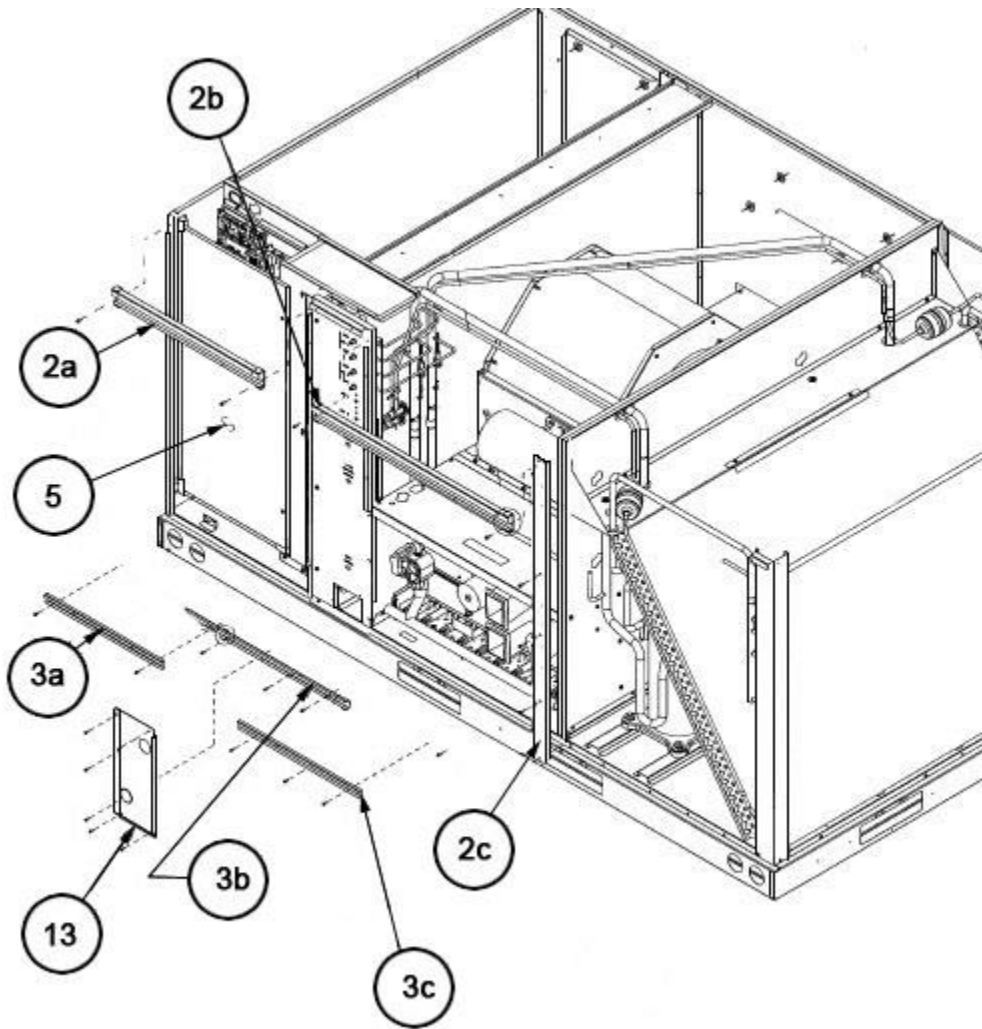
Exterior - Back 072-151



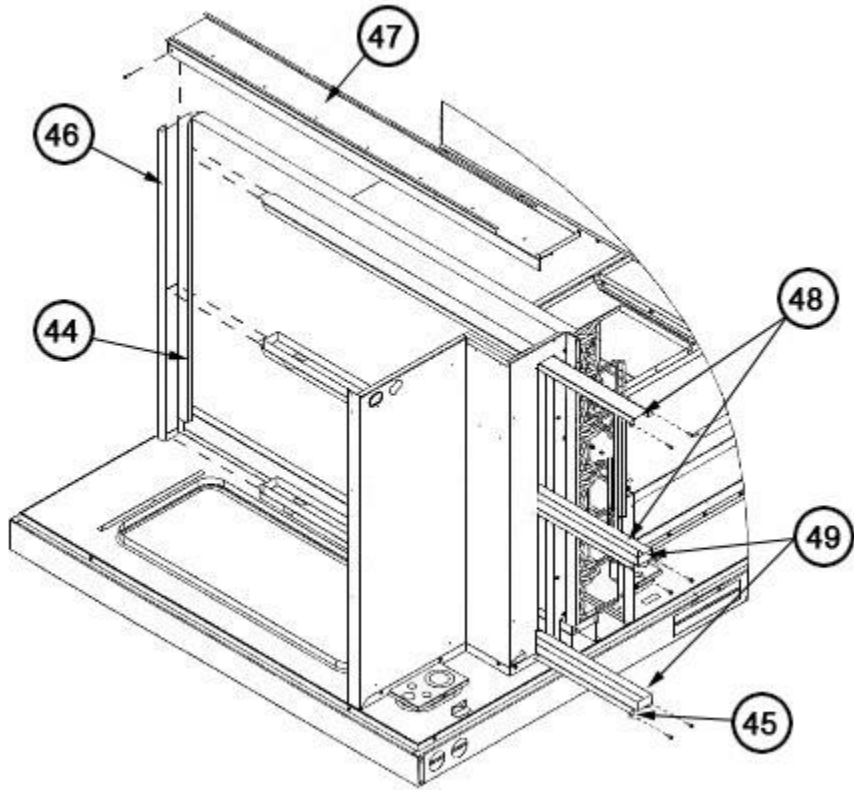
Filter-Coil Assembly 072-151



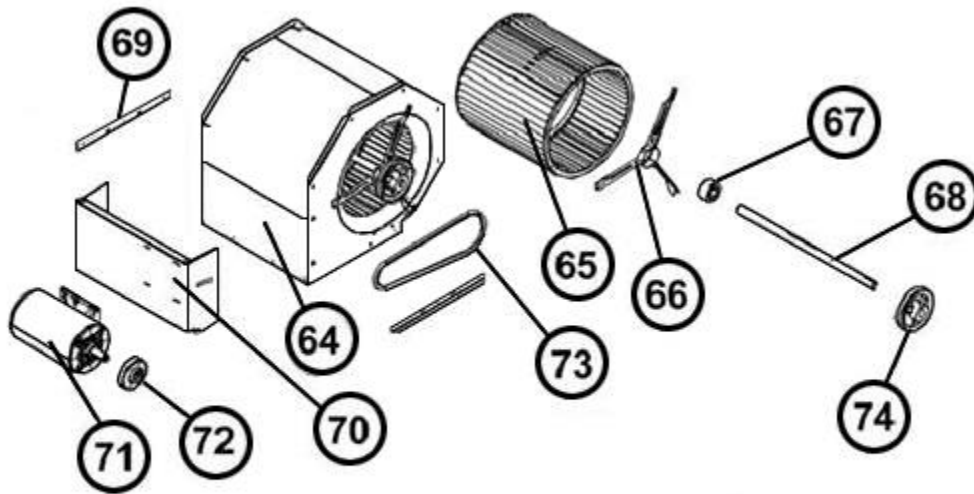
Compressor #1  
Condenser Coil Assembly 072-151



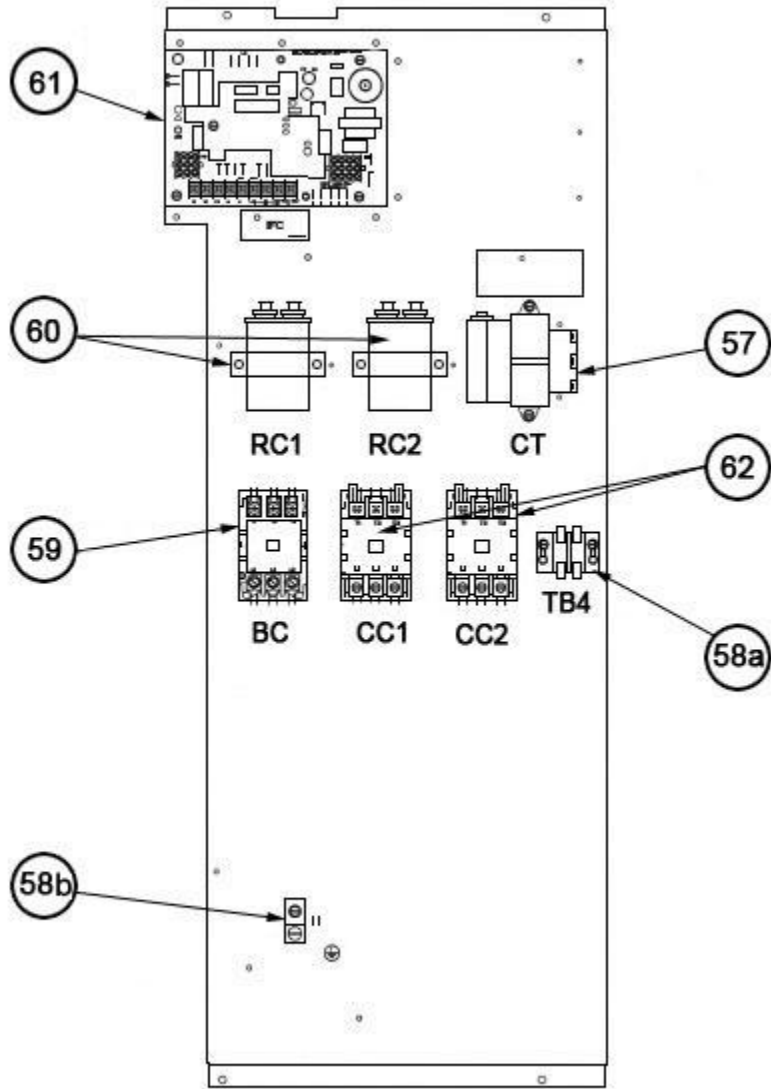
Front Panel Brackets 072-151



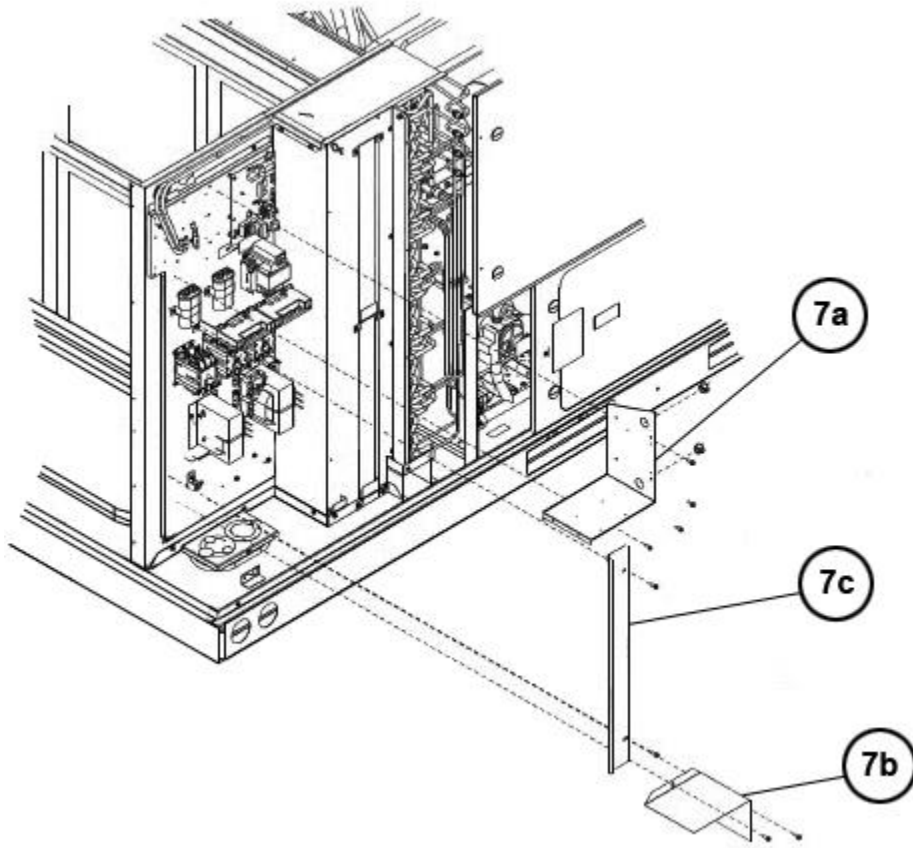
Filter Frame Assembly 072-151



Blower Assembly 072-151

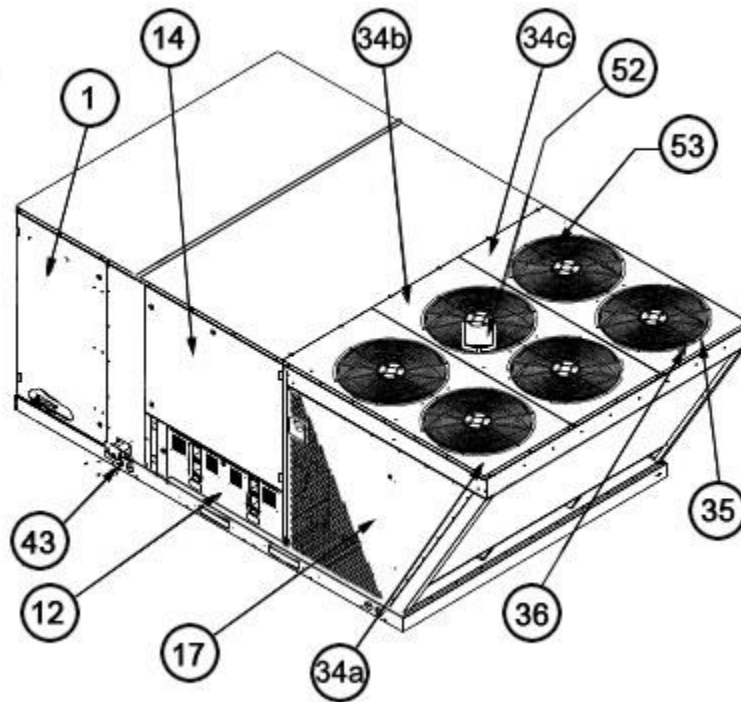


Control Box 072-151

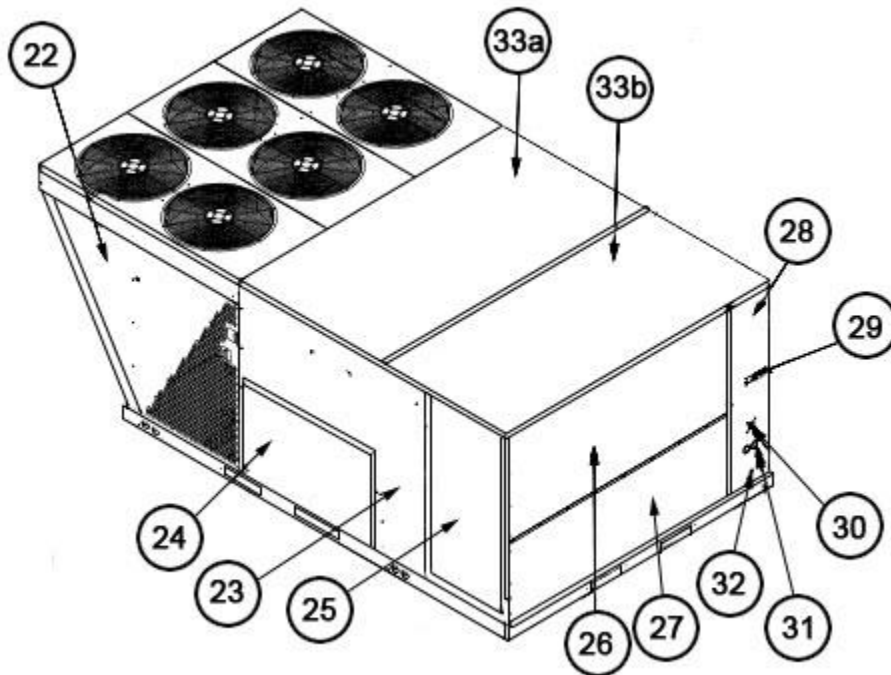


Low Voltage Shields 090-151

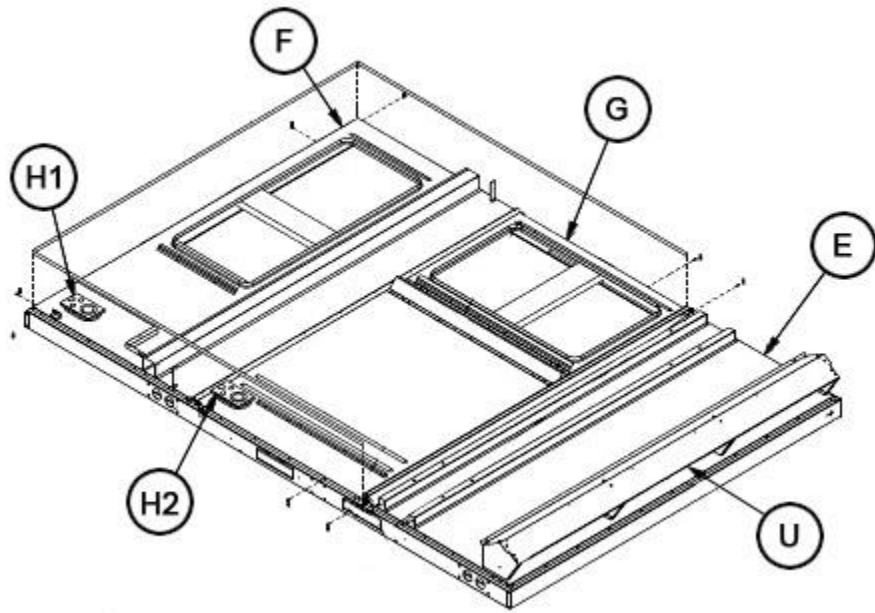




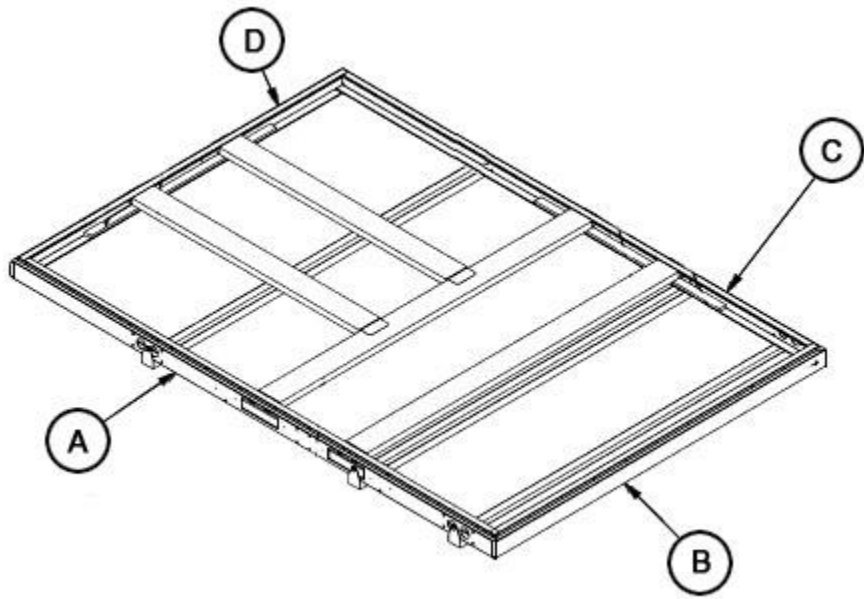
Exterior - Front 180-300



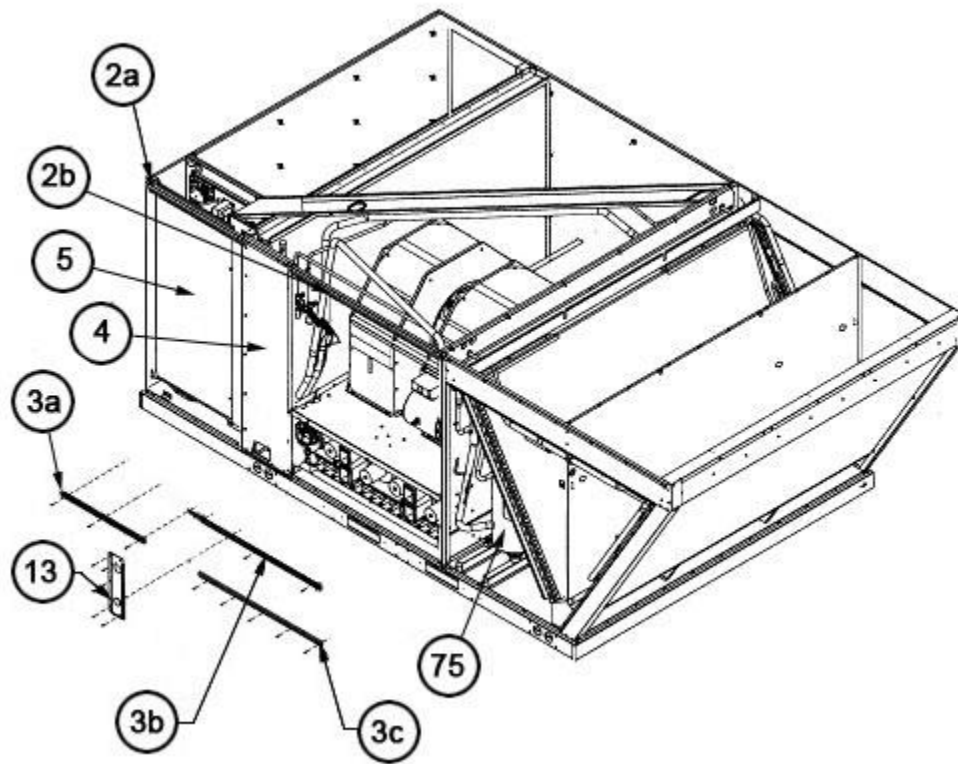
Exterior - Rear 180-300



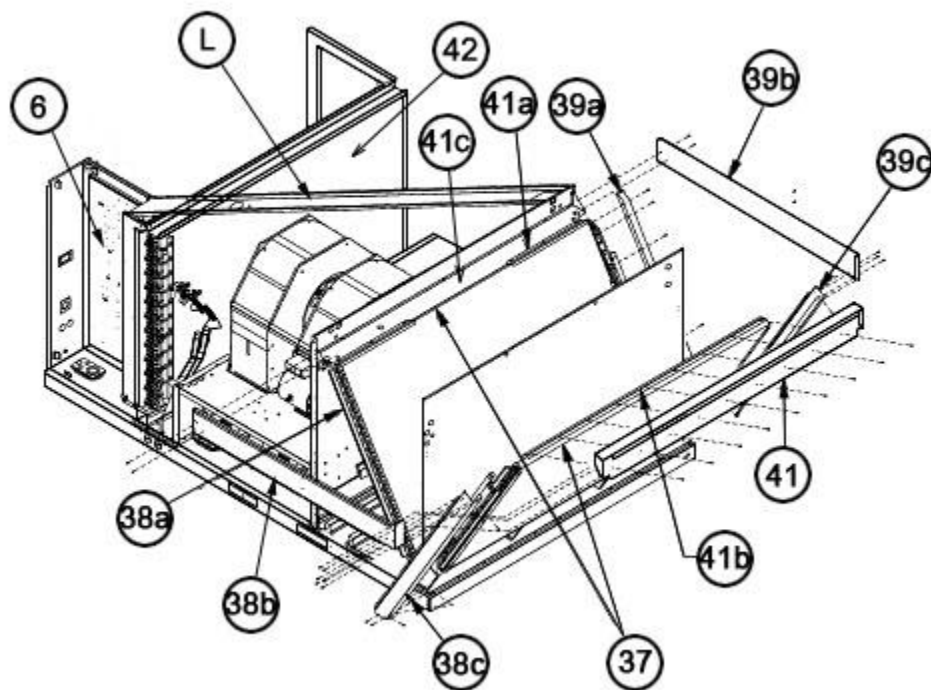
Base Pan Assembly 180-300



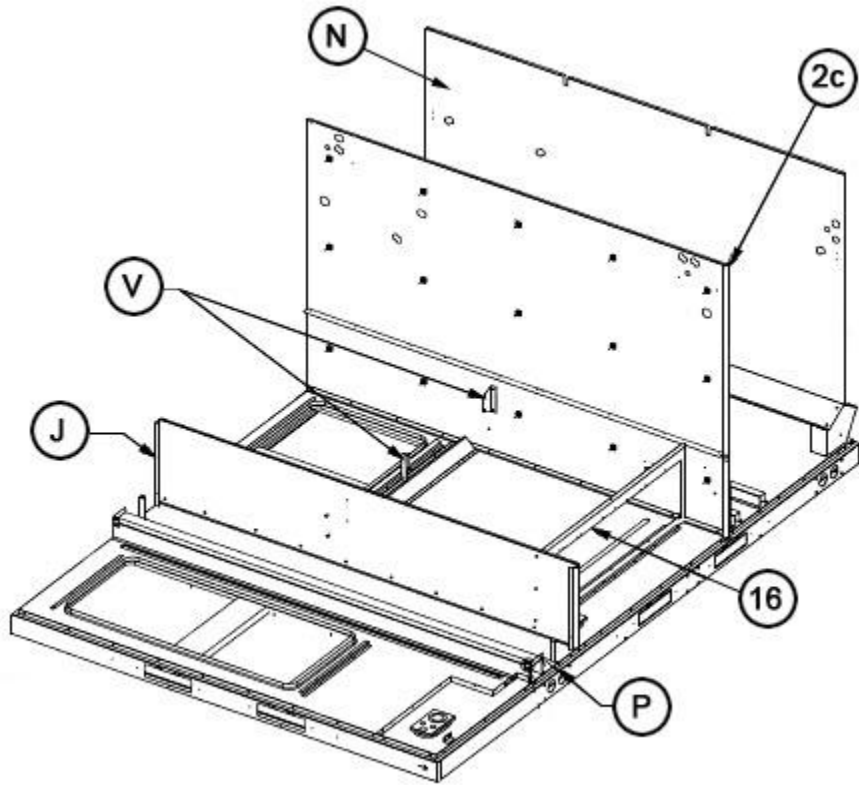
Base Rail Assembly 180-300



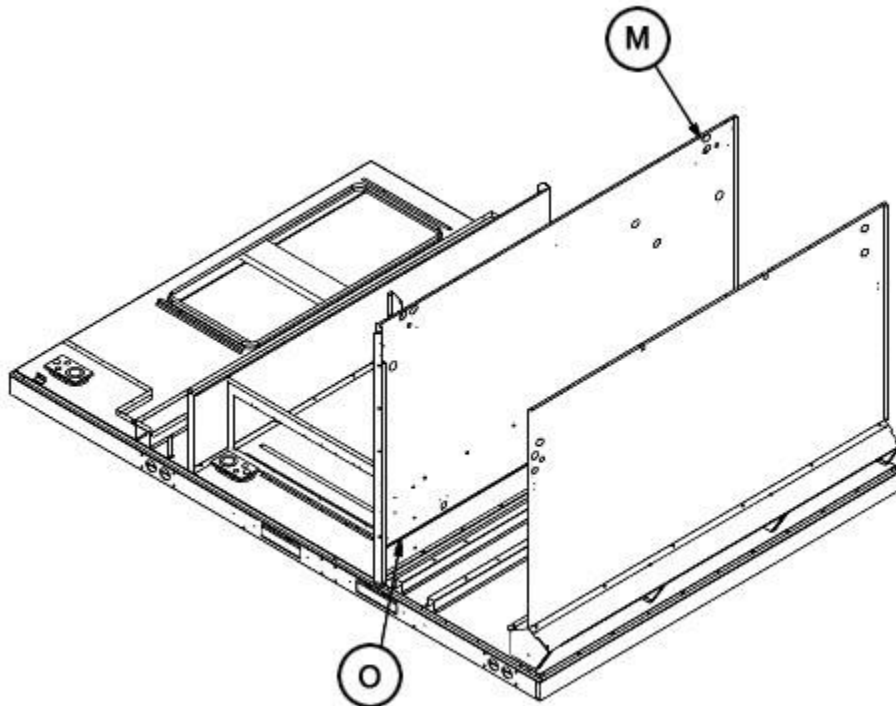
Front Panel Brackets 180-300



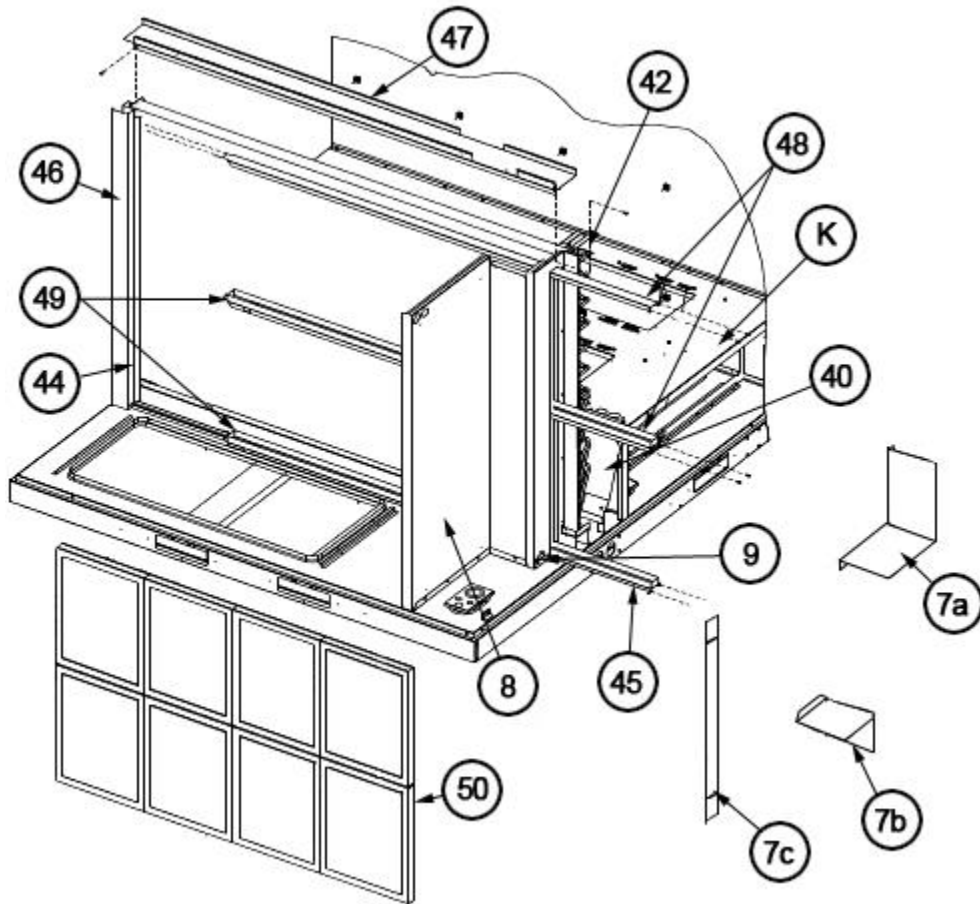
Interior - Coil 180-300



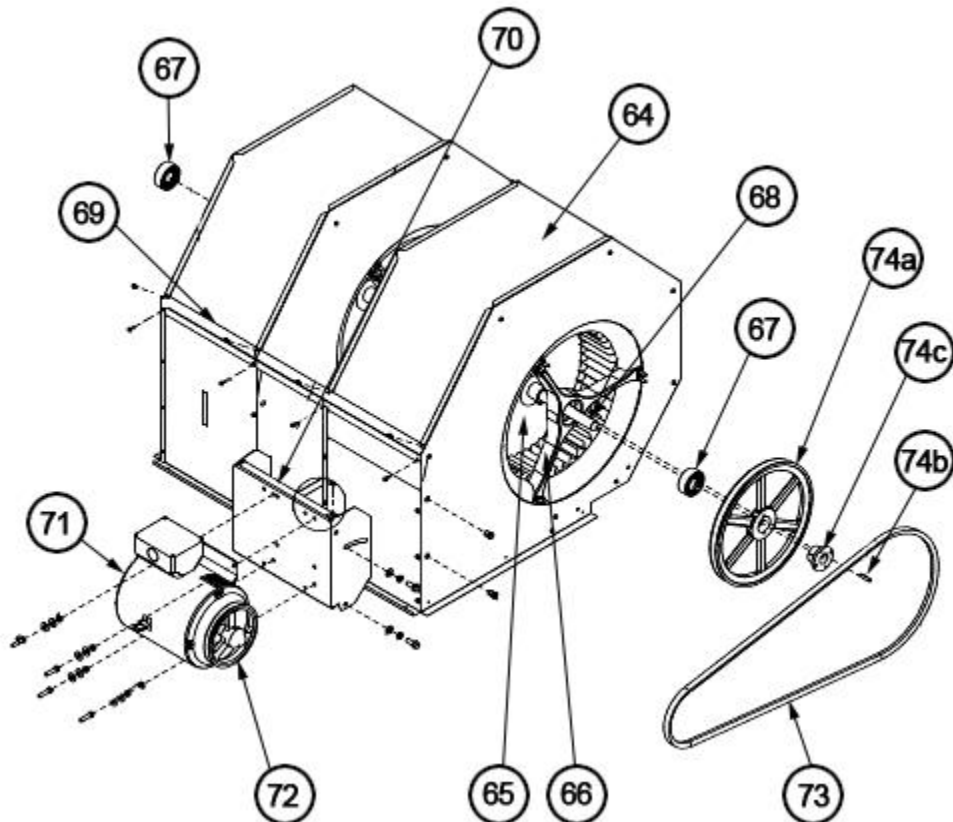
Heat Compartment 180-300



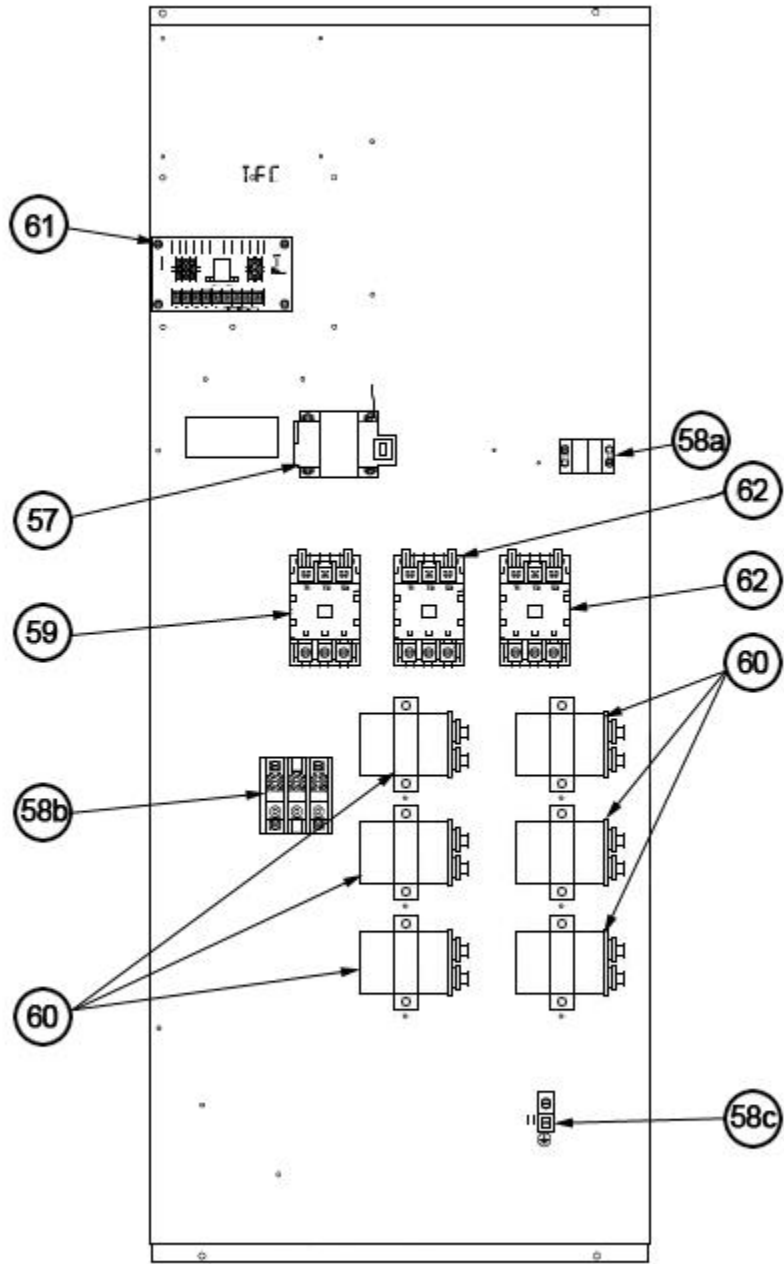
Condenser Bulkhead 180-300



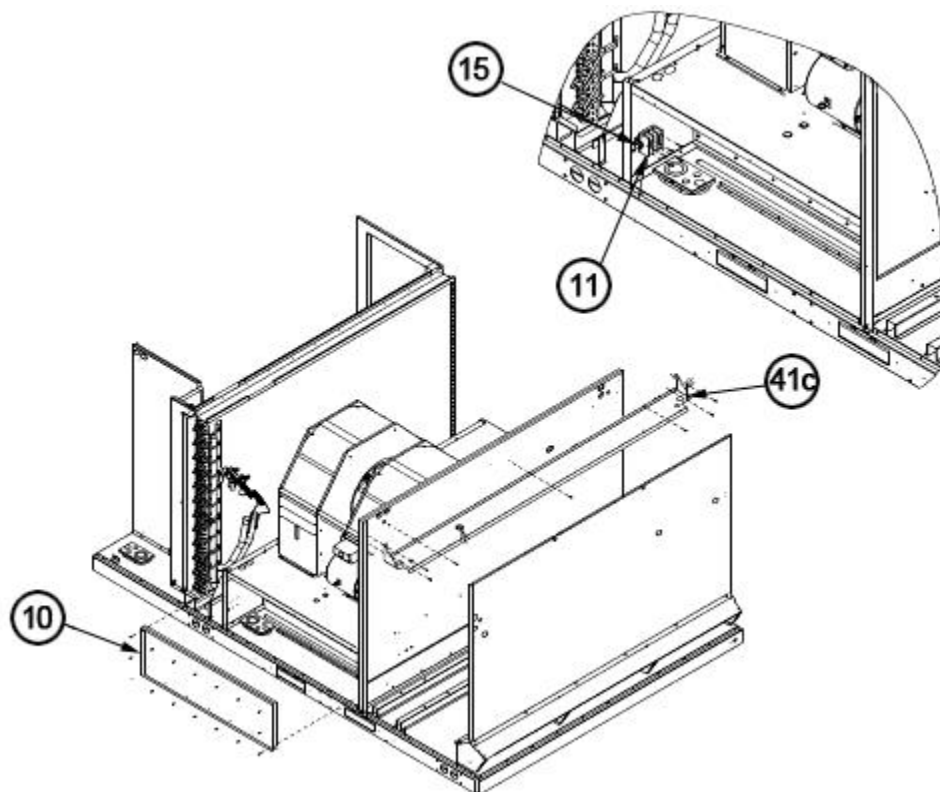
Filter Frame Assembly 180-300



Blower Assembly 180-300



Control Box 180-300



Electric Heat Block-Off 180-300

# NOTES

Stk It is recommended that stock be maintained for this part.

N/A Not Applicable

- 1 Older (Before F1811) filter frame components are not individually compatible with newer (After F1811) filter frame components. Depending upon availability of older (Before F1811) components, it may be necessary to replace entire filter frame assembly (Air Stops - Bottom and Side, Filter Channels and Filter Slides) with the newer style (After F1811) components.

**DISCLAIMER:** This document is intended to provide general replacement parts information to aid qualified service personnel in the repair of these models. The complete Model and Serial Number of the unit under repair should be specified when selecting and ordering replacement parts. Specifications and illustrations are subject to change without notice. Document 92-42800-RLNL-B supersedes all previous parts lists for these models. See <http://www.rheempartslists.net/92-42800-RLNL-B> for the latest revision of this document. The manufacturer assumes no obligation for errors or omissions. Service personnel must verify the proper and safe operation of equipment after the replacement of any original components.