



Air

Package Air Conditioner
RLNL-B Series

The new degree of comfort.™

Rheem *Commercial Classic*® Series Package Air Conditioner



RLNL-B Standard Efficiency Series

Nominal Sizes 15-20 Tons [52.8-70.3 kW]
ASHRAE 90.1-2007 Compliant Model



INTEGRATED AIR & WATER

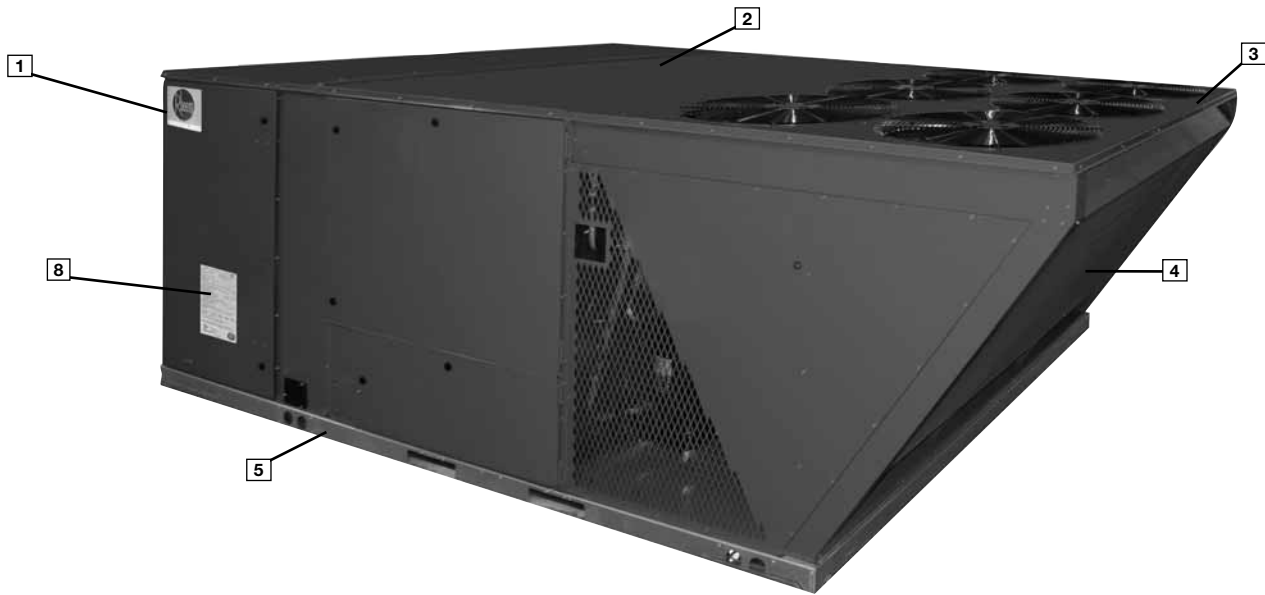
TABLE OF CONTENTS

Unit Features & Benefits	3-7
Model Number Identification	8
Options	9
Selection Procedure	10
General Data	
RLNL-B Series	11-17
General Data Notes	18
Gross Systems Performance Data	
RLNL-B Series	19-21
Indoor Airflow Performance	
RLNL-B Series	22-26
Electrical Data	
RLNL-B Series	27-30
Electric Heater Kits	31-36
Dimensional Data	37-40
Accessories	41-52
Mechanical Specifications	53-57
Limited Warranty	58



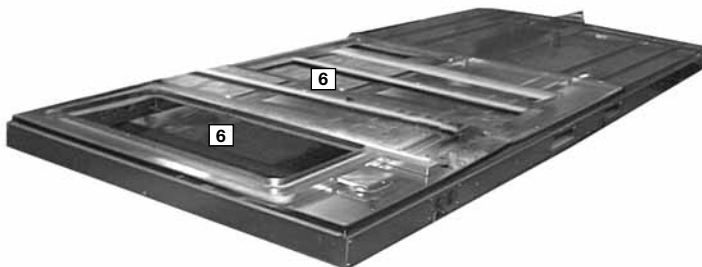
STANDARD FEATURES INCLUDE:

- R-410A HFC refrigerant.
- Complete factory charged, wired and run tested.
- Scroll compressors with internal line break overload and high-pressure protection.
- Two independent refrigerant circuits each with a scroll compressor provide two stage cooling operation.
- Convertible airflow – vertical downflow or horizontal sideflow.
- TXV refrigerant metering system on each circuit.
- High Pressure and Low Pressure/Loss of charge protection standard on all models.
- Solid Core liquid line filter drier on each circuit.
- Single slab, single pass designed evaporator and condenser coils facilitate easy cleaning for maintaining high efficiencies.
- Cooling operation up to 125 degree F ambient.
- Foil faced insulation encapsulated throughout entire unit minimizes airborne fibers from the air stream.
- Hinged major access door with heavy-duty gasketing, 1/4 turn latches and door retainers.
- Slide Out Indoor fan assembly for added service convenience.
- Base pan with drawn supply and return opening for superior water management.
- Forkable base rails for easy handling and lifting.
- Single point electrical connections.
- Internally sloped slide out condensate pan conforms to ASHRAE 62 standards.
- High performance belt drive motor with variable pitch pulleys and quick adjust belt system.
- Permanently lubricated evaporator, condenser and gas heat inducer motors.
- Condenser motors are internally protected, totally enclosed with shaft down design.
- 2 inch filter standard with slide out design.
- 24 volt control system with resettable circuit breakers.
- Colored and labeled wiring.
- Copper tube/Aluminum Fin coils. (Exception: B241 models have microchannel condenser coils)
- Supplemental electric heat provides 100% efficient heating.



Rheem Package equipment is designed from the ground up with the latest features and benefits required to compete in today's market. The clean design stands alone in the industry and is a testament to the quality, reliability, ease of installation and serviceability that goes into each unit. Outwardly, the large Rheem *Commercial Series*[™] label (1) identifies the brand to the customer. The sheet-metal cabinet (2) uses nothing less than 20-gauge material for structural components with an underlying coat of G90. To ensure the leak-proof integrity of these units, the design utilizes a top with a 1/8" drip lip (3), gasket-protected panels and screws. (4) The outdoor coil is slanted to protect from hail. Every Rheem package unit uses the toughest finish in the industry, using electro deposition baked-on enamel tested to withstand a rigorous 1000-hour salt spray test, per ASTM B117.

Anything built to last must start with the right foundation. In this case, the foundation is 14-gauge, commercial-grade, full-perimeter base rails (5), which integrate fork slots and rigging holes to save set-up time on the job site. The base pan is stamped, which forms a 1-1/8" flange around the supply and return cover and has eliminated the worry of water entering the conditioned space (6). The drainpan (7) is made of material that resists the growth of harmful bacteria and is sloped for the latest IAQ benefits. Furthermore, the drain pan slides out for easy cleaning. The insulation has been placed on the underside of the basepan, removing areas that would allow for potential moisture accumulation, which can facilitate growth of harmful bacteria. All insulation is secured with both adhesive and mechanical fasteners, and all edges are hidden.

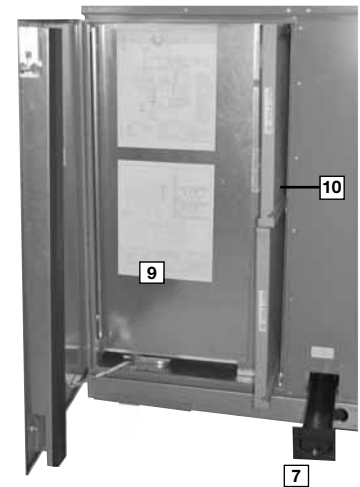


During development, each unit was tested to U.L. 1995, AHRI 340-360 and other Rheem-required reliability tests. Rheem adheres to stringent ISO 9002 quality procedures, and each unit bears the U.L. and AHRI certification labels located on the unit nameplate (8). Contractors can rest assured that when a Rheem package unit arrives at the job, it is ready to go with a factory charge and quality checks.

Access to all major compartments is from the front of the unit, including the filter and electrical compartment, blower compartment, heating section, and outdoor section. Each panel is permanently embossed with the compartment name (control/filter access, blower access and furnace access).

Electrical and filter compartment access is through a large, hinged-access panel with 1/4 turn latches. On the outside of the panel is the unit nameplate, which contains the model and serial number, electrical data and other important unit information.

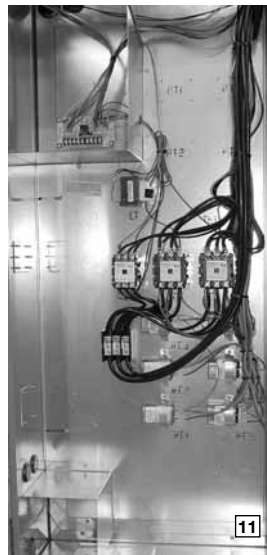
The unit charging chart is located on the inside of the electrical and filter compartment door. Electrical wiring diagrams are found on the control box cover, which allows contractors to move them to more readable locations. To the right of the control box the model and serial number can be found. Having this information on the inside will assure model identification for the life of the product. The production line quality test assurance label is also placed in this location (9). The two-inch throwaway filters (10) are easily removed on a tracked system for easy replacement.



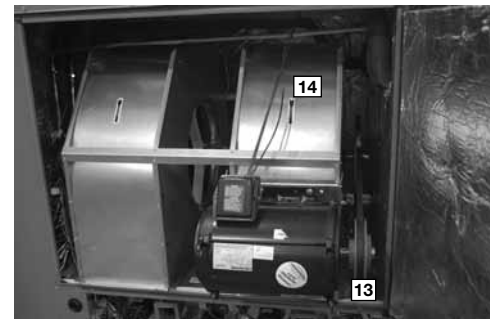


Inside the control box (11), each electrical component is clearly identified with a label that matches the component to the wire diagram for ease of trouble shooting. All wiring is numbered on each end of the termination and color-coded to match the wiring diagram. The control transformer has a low voltage circuit breaker that trips if a low voltage electrical short occurs. There is a blower contactor and contactor for each compressor.

For added convenience in the field, a factory-installed convenience outlet (12) is available. Low and High voltage can enter either from the side or through the base. Low-voltage connections are made through the low-voltage terminal strip. For ease of access, the U.L.-required low voltage barrier can be temporarily removed for low-voltage termination and then reinstalled. The high-voltage connection is terminated at the high voltage terminal block. The suggested mounting for the field-installed disconnect is on the exterior side of the electrical control box.

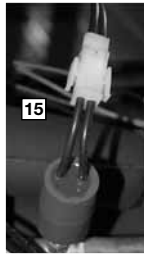


The blower compartment is to the right of the control box and can be accessed by 1/4 turn latches. To allow easy maintenance of the blower assembly, the entire assembly easily slides out by removing four #10 screws from the blower assembly. The adjustable motor pulley (13) can easily be adjusted by loosening the bolts on either side of the motor mount. Removing the bolts allows for easy removal of the blower pulley by pushing the blower assembly up to loosen the belt. Once the pulley is removed, the motor sheave can be adjusted to the desired number of turns, ranging from 0 to 6 turns open. Where the demands for the job require high static, Rheem has high-static drives available that deliver nominal airflow up to 2" of static. By referring to the airflow performance tables listed in the installation instructions, proper static pressure and CFM requirements can be dialed in. The scroll housing (14) and blower scroll provide quiet and efficient airflow. The blower sheave is secured by an "H" bushing which firmly secures the pulley to the blower shaft for years of trouble-free operation. The "H" bushing allows for easy removal of the blower pulley from the shaft, as opposed to the use of a set screw, which can score the shaft, creating burrs that make blower-pulley removal difficult.





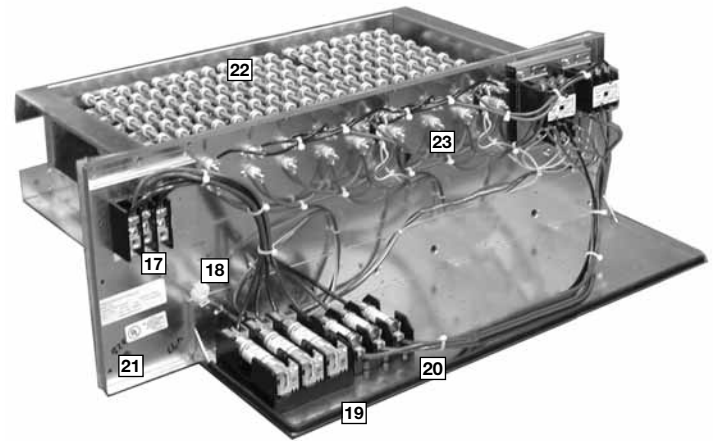
Also inside the blower compartment are the optional low-ambient controls (15). The optional low-ambient controls allow for operation of the compressors down to 0 degrees ambient temperature by cycling the outdoor fans on high pressure.



Inside the blower compartment the interlaced evaporator can also be viewed. The evaporator uses enhanced fin technology for maximum heat transfer. The TXV metering device assures even distribution of refrigerant throughout the evaporator.

Wiring throughout the unit is neatly bundled and routed. Where wire harnesses go through the condenser bulkhead or blower deck, a molded wire harness assembly (16) provides an air-tight and water-tight seal, and provides strain relief. Care is also taken to tuck raw edges of insulation behind sheet metal to improve indoor air quality.

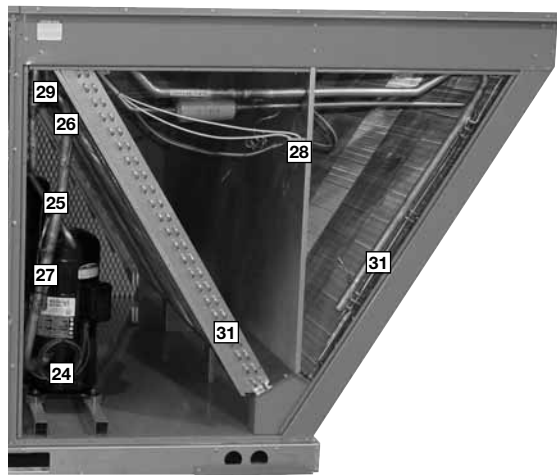
The heating compartment contains the latest electric furnace technology on the market. The 100% efficient electric furnace can be factory-installed or easily field-installed. Built with ease-of-installation in mind, the electric furnace is completely wired up for slide-in, plug-and-play installation in the field. With choices of up to four kilowatt offerings, the contractor is assured to get the correct amount of heating output to meet the designed heating load.



Power hook-up in the field is easy with single-point wiring to a terminal block (17) and a polarized plug for the low-voltage connection (18). The electric furnace comes with fuses for the unit (19) and for the electric furnace (20), and is UL certified (21). The electric heating elements are of a wound-wire construction (22) and isolated with ceramic bushings. The limit switch (23) protects the design from over-temperature conditions.

The compressor compartment houses the heartbeat of the unit. The scroll compressor (24) is known for its long life, and for reliable, quiet, and efficient operation. The suction and discharge lines are designed with shock loops (25) to absorb the strain and stress that the starting torque, steady state operation, and shut down cycle impose on the refrigerant tubing. Each compressor and circuit is independent for built-in redundancy, and each circuit is clearly marked throughout the system. Each unit has two stages of efficient cooling operation, first stage is approximately 50% of second stage.

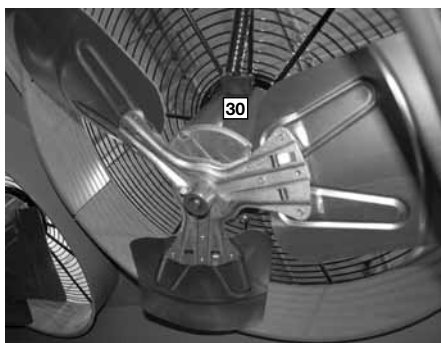




In the outdoor section are the external gauge ports (26). With the gauge ports mounted externally, an accurate diagnosis of system operation can be performed quickly and easily. Also located in this area are the refrigerant safety devices: the low-pressure switches (27), high-pressure switches (28) and the optional freeze-stats (29). The high-pressure switches will shut off the compressors if pressures exceeding 610 psig are detected as may occur if the outdoor fan motor fails. The low pressure switches shut off the compressors if low pressure is detected due to loss of refrigerant charge. The optional freeze-stats protect the compressors if the evaporator gets too cold (below freezing) due to low airflow. The factory-installed high and low pressure switches are brazed into the appropriate high or low side and wired appropriately. The optional freezestats clip on the suction lines above the compressors and connect to the low voltage circuit with the use of polarized plugs and a removable jumper for easy field or factory installation.

The condenser fan motor (30) can easily be accessed and maintained by removing the protective fan grille. The polarized plug connection allows the motor to be changed quickly and eliminates the need to snake wires through the unit.

The outdoor coil uses the latest enhanced fin design (31) for the most effective method of heat transfer. The outdoor coil is slanted to protect the unit from Mother Nature.



Each unit is designed for both downflow or horizontal applications (32) for job configuration flexibility. The return air compartment can also contain an economizer (33).



Two models exist, one for downflow applications, and one for horizontal applications. Each unit is pre-wired for the economizer to allow quick plug-in installation. The downflow economizer is also available as a factory-installed option. Power Exhaust is easily field-installed. The economizer, which provides free cooling when outdoor conditions are suitable and also provides fresh air to meet local requirements, comes standard with single enthalpy controls. The controls can be upgraded to dual enthalpy easily in the field. The direct drive actuator combined with gear drive dampers has eliminated the need for linkage adjustment in the field. The economizer control has a minimum position setpoint, an outdoor-air setpoint, a mix-air setpoint, and a CO² setpoint. Barometric relief is standard on all economizers. (33) The power exhaust is housed in the barometric relief opening and is easily slipped in with a plug-in assembly.



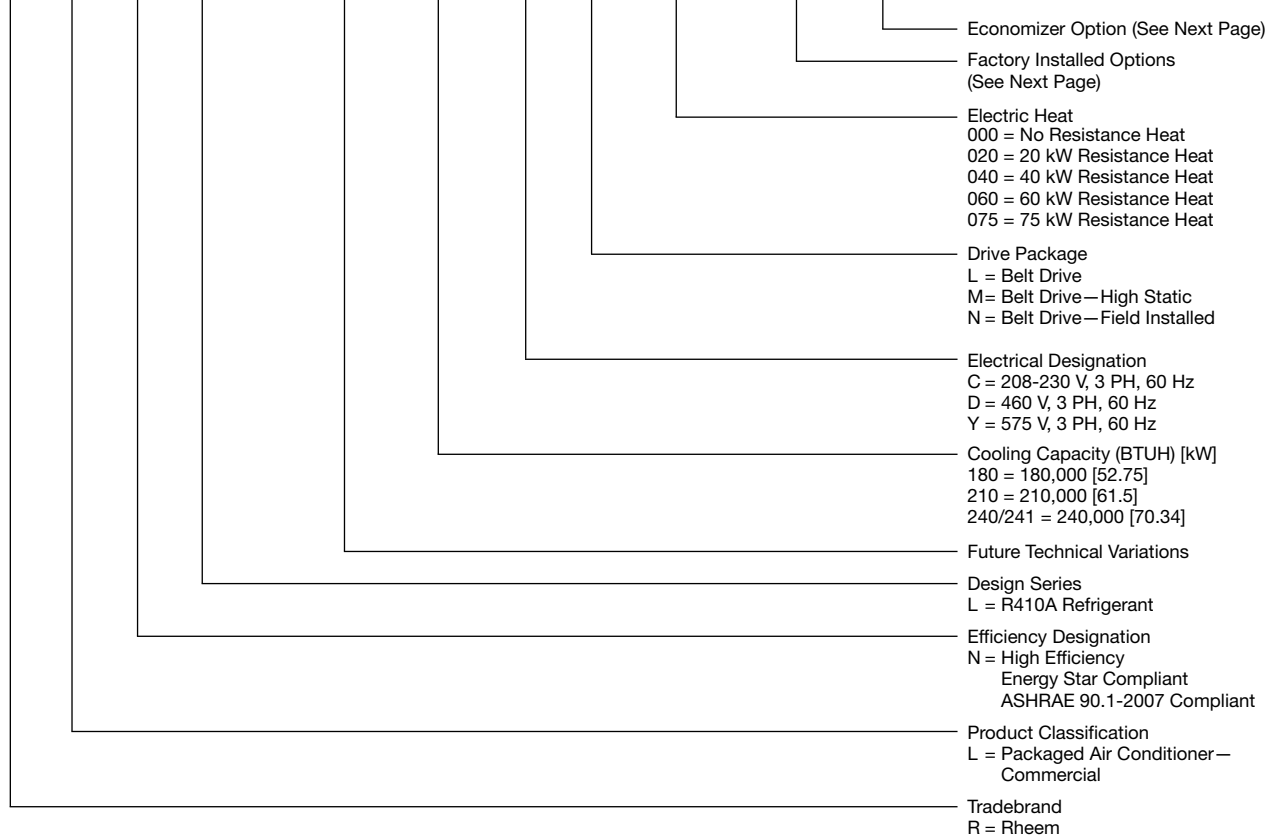
The Rheem roofcurb (34) is made for toolless assembly at the jobsite by inserting a pin into the hinged corners (35), which makes the assembly process quick and easy.

35





R L N L - B 180 C L 000 X X X



[] Designates Metric Conversions



FACTORY INSTALLED OPTION CODES FOR RLNL- (15-20 TON) [52.8-70.3 kW] (B180, B210, B240, B241)

Option Code	Hail Guard	Non-Powered Convenience Outlet	Low Ambient/Freeze Stat
AA	NO OPTIONS		
AD	X		
AG		X	
AP			X
BY	X		X
BJ	X	X	
JC		X	X
CX	X	X	X

Example: RLNL-B180CL000**XXX** (where **XX** is factory installed option)

Example: No Options

RLNL-B180CL000

Example: No Options with factory installed economizer

RLNL-B180CL000AAE

Example: Options with low ambient/freezestat and no factory installed economizer

RLNL-B180CL000APA

Example: Options same as above with factory installed economizer

RLNL-B180CL000APG

ECONOMIZER SELECTION FOR RLNL- (B180, B210, B240, B241)

Option Code	No Economizer	Single Enthalpy Economizer* With Barometric Relief	Single Enthalpy Economizer* With Barometric Relief and Smoke Detector
A	X		
F		X	
G			X

"x" indicates factory installed option.

*Downflow economizer only.

Instructions for Factory Installed Option(s) Selection

Note: Three characters following the model number will be utilized to designate a factory-installed option or combination of options. If no factory option(s) is required, nothing follows the model number.

Step 1. After a basic rooftop model is selected, choose a *two-character* option code from the FACTORY INSTALLED OPTION SELECTION TABLE.

Proceed to Step 2.

Step 2. The last option code character is utilized for factory-installed economizers. Choose a character from the FACTORY INSTALLED ECONOMIZER SELECTION TABLE.

[] Designates Metric Conversions



To select an RLNL-B Cooling and Heating unit to meet a job requirement, follow this procedure, with example, using data supplied in this specification sheet.

1. DETERMINE COOLING AND HEATING REQUIREMENTS AND SPECIFIC OPERATING CONDITIONS FROM PLANS AND SPECS.

Example:

Voltage —	240 V – 3 Phase – 60 Hz
Total Cooling Capacity —	205,000 BTUH [60.0 kW]
Sensible Cooling Capacity —	155,000 BTUH [45.4 kW]
Heating Capacity —	235,000 BTUH [68.8 kW]
*Condenser Entering Air —	95°F [35.0 °C] DB
*Evaporator Mixed Air Entering —	65°F [18.3 °C] WB 78°F [25.6 °C] DB
*Indoor Air Flow (vertical) —	7200 CFM [3398 L/s]
*External Static Pressure —	0.70 in. WG [.17 kPa]

2. SELECT UNIT TO MEET COOLING REQUIREMENTS.

Since total cooling is within the range of a nominal 20 ton [70.3 kW] unit, enter cooling performance table at 95°F [35.0 °C] DB condenser inlet air. Interpolate between 63°F [17.2 °C] WB and 67°F [19.4 °C] WB to determine total and sensible capacity and power input for 65°F [18.3 °C] WB evaporator inlet air at 7725 CFM [3645 L/s] indoor air flow (table basis):

Total Cooling Capacity =	238,250 BTUH [69.76 kW]
Sensible Cooling Capacity =	192,550 BTUH [56.38 kW]
Power Input (Compressor and Cond. Fans) =	18,200 Watts

Use formula in note ① to determine sensible capacity at 78°F [25.6 °C] DB evaporator entering air:

$$192,550 + (1.10 \times 7,200 \times (1 - 0.11) \times (78 - 80))$$

$$\text{Sensible Cooling Capacity} = 178,452 \text{ BTUH [52.25 kW]}$$

3. CORRECT CAPACITIES OF STEP 2 FOR ACTUAL AIR FLOW.

Select factors from airflow correction table at 7200 CFM [3398 L/s] and apply to data obtained in step 2 to obtain gross capacity:

Total Capacity =	238,250 x 0.99 = 235,868 BTUH [69.06 kW]
Sensible Capacity =	178,452 x 0.96 = 171,314 BTUH [50.16 kW]
Power Input =	18,200 x 0.99 = 18,018 Watts

These are Gross Capacities, not corrected for blower motor heat or power.

4. DETERMINE BLOWER SPEED AND WATTS TO MEET SYSTEM DESIGN.

Enter Indoor Blower performance table at 7200 CFM [3398 L/s]. Total ESP (external static pressure) per the spec of 0.70 in. WG [.17 kPa] includes the system duct and grilles. Add from the table “Component Air Resistance”, 0.01 in. WG [.00 kPa] for wet coil, 0.08 in. WG [.02 kPa] for downflow air flow, for a total selection static pressure of 0.79 (0.8) in. WG [.20 kPa], and determine:

$$\text{RPM} = 739$$

$$\text{WATTS} = 2,862$$

$$\text{DRIVE} = \text{L (standard 5 H.P. motor)}$$

5. CALCULATE INDOOR BLOWER BTUH HEAT EFFECT FROM MOTOR WATTS, STEP 4.

$$2,862 \times 3.412 = 9,765 \text{ BTUH [2.86 kW]}$$

6. CALCULATE NET COOLING CAPACITIES, EQUAL TO GROSS CAPACITY, STEP 3, MINUS INDOOR BLOWER MOTOR HEAT.

$$\text{Net Total Capacity} = 235,868 - 9,765 = 226,103 \text{ BTUH [66.21 kW]}$$

$$\text{Net Sensible Capacity} = 171,314 - 9,765 = 161,549 \text{ BTUH [47.30 kW]}$$

7. CALCULATE UNIT INPUT AND JOB EER.

$$\text{Total Power Input} = 18,018 \text{ (step 3)} + 2,862 \text{ (step 4)} = 20,880 \text{ Watts}$$

$$\text{EER} = \frac{\text{Net Total BTUH [kW] (step 6)}}{\text{Power Input, Watts (above)}} = \frac{226,103}{20,880} = 10.83$$

8. SELECT UNIT HEATING CAPACITY.

From Heater Kit Table select kW to meet heating capacity requirement; multiply kW x 3412 to convert to BTUH

Use 75 kW Heater Kit

Heater Kit Model: RXJJ-CE75C

Heater Kit Capacity: 245,323 BTUH [71.8 kW]

Add indoor blower heat effect (step 5) to Heater Kit Capacity to get total heating capacity:

$$245,323 + 9,765 = 255,088 \text{ BTUH [74.7 kW]}$$

9. CHOOSE MODEL RLNL-B240CL075

*NOTE: These operating conditions are typical of a commercial application in a 95°F/79°F [35°C/26°C] design area with indoor design of 76°F [24°C] DB and 50% RH and 10% ventilation air, with the unit roof mounted and centered on the zone it conditions by ducts.

[] Designates Metric Conversions



NOM. SIZES 15-20 TONS [52.8-70.3 kW]

Model RLNL- Series	B180CL	B180CM	B180DL	B180DM
Cooling Performance¹				CONTINUED →
Gross Cooling Capacity Btu [kW]	188,000 [53.47]	188,000 [53.47]	188,000 [53.47]	188,000 [53.47]
EER/SEER ²	11/NA	11/NA	11/NA	11/NA
Nominal CFM/AHRI Rated CFM [L/s]	6000/5900 [2831/2784]	6000/5900 [2831/2784]	6000/5900 [2831/2784]	6000/5900 [2831/2784]
AHRI Net Cooling Capacity Btu [kW]	172,000 [48.92]	172,000 [48.92]	172,000 [48.92]	172,000 [48.92]
Net Sensible Capacity Btu [kW]	125,700 [35.75]	125,700 [35.75]	125,700 [35.75]	125,700 [35.75]
Net Latent Capacity Btu [kW]	46,300 [13.17]	46,300 [13.17]	46,300 [13.17]	46,300 [13.17]
IEER ³	12.4	12.4	12.4	12.4
Net System Power kW	15.64	15.64	15.64	15.64
Compressor				
No./Type	2/Scroll	2/Scroll	2/Scroll	2/Scroll
Outdoor Sound Rating (dB)⁴	91	91	91	91
Outdoor Coil—Fin Type	Louvered	Louvered	Louvered	Louvered
Tube Type	Rifled	Rifled	Rifled	Rifled
Tube Size in. [mm] OD	0.375 [9.5]	0.375 [9.5]	0.375 [9.5]	0.375 [9.5]
Face Area sq. ft. [sq. m]	53.3 [4.95]	53.3 [4.95]	53.3 [4.95]	53.3 [4.95]
Rows / FPI [FPcm]	1 / 22 [9]	1 / 22 [9]	1 / 22 [9]	1 / 22 [9]
Indoor Coil—Fin Type	Louvered	Louvered	Louvered	Louvered
Tube Type	Rifled	Rifled	Rifled	Rifled
Tube Size in. [mm]	0.375 [9.5]	0.375 [9.5]	0.375 [9.5]	0.375 [9.5]
Face Area sq. ft. [sq. m]	26.67 [2.48]	26.67 [2.48]	26.67 [2.48]	26.67 [2.48]
Rows / FPI [FPcm]	2 / 18 [7]	2 / 18 [7]	2 / 18 [7]	2 / 18 [7]
Refrigerant Control	TX Valves	TX Valves	TX Valves	TX Valves
Drain Connection No./Size in. [mm]	1/1 [25.4]	1/1 [25.4]	1/1 [25.4]	1/1 [25.4]
Outdoor Fan—Type	Propeller	Propeller	Propeller	Propeller
No. Used/Diameter in. [mm]	4/24 [609.6]	4/24 [609.6]	4/24 [609.6]	4/24 [609.6]
Drive Type/No. Speeds	Direct/1	Direct/1	Direct/1	Direct/1
CFM [L/s]	16000 [7550]	16000 [7550]	16000 [7550]	16000 [7550]
No. Motors/HP	4 at 1/3 HP	4 at 1/3 HP	4 at 1/3 HP	4 at 1/3 HP
Motor RPM	1075	1075	1075	1075
Indoor Fan—Type	FC Centrifugal	FC Centrifugal	FC Centrifugal	FC Centrifugal
No. Used/Diameter in. [mm]	2/18x9 [457x229]	2/18x9 [457x229]	2/18x9 [457x229]	2/18x9 [457x229]
Drive Type/No. Speeds	Belt/Variable	Belt/Variable	Belt/Variable	Belt/Variable
No. Motors	1	1	1	1
Motor HP	3	5	3	5
Motor RPM	1725	1725	1725	1725
Motor Frame Size	56	184	56	184
Filter—Type	Disposable	Disposable	Disposable	Disposable
Furnished	Yes	Yes	Yes	Yes
(No.) Size Recommended in. [mm]	(8)2x25x20 [51x635x508]	(8)2x25x20 [51x635x508]	(8)2x25x20 [51x635x508]	(8)2x25x20 [51x635x508]
Refrigerant Charge Oz. (Sys. 1/Sys. 2) [g]	205/211 [5812/5982]	205/211 [5812/5982]	205/211 [5812/5982]	205/211 [5812/5982]
Weights				
Net Weight lbs. [kg]	1826 [828]	1855 [841]	1958 [888]	1987 [901]
Ship Weight lbs. [kg]	1926 [874]	1955 [887]	2058 [934]	2087 [947]

See Page 18 for Notes.

[] Designates Metric Conversions

NOM. SIZES 15-20 TONS [52.8-70.3 kW]

Model RLNL- Series	B180YL	B180YM	B210CL	B210CM
Cooling Performance¹				CONTINUED →
Gross Cooling Capacity Btu [kW]	188,000 [53.47]	188,000 [53.47]	212,000 [60.30]	212,000 [60.30]
EER/SEER ²	11/NA	11/NA	11/NA	11/NA
Nominal CFM/AHRI Rated CFM [L/s]	6000/5900 [2831/2784]	6000/5900 [2831/2784]	7000/7025 [3303/3315]	7000/7025 [3303/3315]
AHRI Net Cooling Capacity Btu [kW]	172,000 [48.92]	172,000 [48.92]	200,000 [56.88]	200,000 [56.88]
Net Sensible Capacity Btu [kW]	125,700 [35.75]	125,700 [35.75]	150,900 [42.91]	150,900 [42.91]
Net Latent Capacity Btu [kW]	46,300 [13.17]	46,300 [13.17]	49,100 [13.96]	49,100 [13.96]
IEER ³	12.4	12.4	12.4	12.4
Net System Power kW	15.64	15.64	18.18	18.18
Compressor				
No./Type	2/Scroll	2/Scroll	2/Scroll	2/Scroll
Outdoor Sound Rating (dB)⁴				
	91	91	91	91
Outdoor Coil—Fin Type				
	Louvered	Louvered	Louvered	Louvered
Tube Type	Rifled	Rifled	Rifled	Rifled
Tube Size in. [mm] OD	0.375 [9.5]	0.375 [9.5]	0.375 [9.5]	0.375 [9.5]
Face Area sq. ft. [sq. m]	53.3 [4.95]	53.3 [4.95]	53.3 [4.95]	53.3 [4.95]
Rows / FPI [FPcm]	1 / 22 [9]	1 / 22 [9]	2 / 18 [7]	2 / 18 [7]
Indoor Coil—Fin Type				
	Louvered	Louvered	Louvered	Louvered
Tube Type	Rifled	Rifled	Rifled	Rifled
Tube Size in. [mm]	0.375 [9.5]	0.375 [9.5]	0.375 [9.5]	0.375 [9.5]
Face Area sq. ft. [sq. m]	26.67 [2.48]	26.67 [2.48]	26.67 [2.48]	26.67 [2.48]
Rows / FPI [FPcm]	2 / 18 [7]	2 / 18 [7]	2 / 18 [7]	2 / 18 [7]
Refrigerant Control	TX Valves	TX Valves	TX Valves	TX Valves
Drain Connection No./Size in. [mm]	1/1 [25.4]	1/1 [25.4]	1/1 [25.4]	1/1 [25.4]
Outdoor Fan—Type				
	Propeller	Propeller	Propeller	Propeller
No. Used/Diameter in. [mm]	4/24 [609.6]	4/24 [609.6]	4/24 [609.6]	4/24 [609.6]
Drive Type/No. Speeds	Direct/1	Direct/1	Direct/1	Direct/1
CFM [L/s]	16000 [7550]	16000 [7550]	14800 [6984]	14800 [6984]
No. Motors/HP	4 at 1/3 HP	4 at 1/3 HP	4 at 1/3 HP	4 at 1/3 HP
Motor RPM	1075	1075	1075	1075
Indoor Fan—Type				
	FC Centrifugal	FC Centrifugal	FC Centrifugal	FC Centrifugal
No. Used/Diameter in. [mm]	2/18x9 [457x229]	2/18x9 [457x229]	2/18x9 [457x229]	2/18x9 [457x229]
Drive Type/No. Speeds	Belt/Variable	Belt/Variable	Belt/Variable	Belt/Variable
No. Motors	1	1	1	1
Motor HP	3	5	3	5
Motor RPM	1725	1725	1725	1725
Motor Frame Size	56	184	56	184
Filter—Type				
	Disposable	Disposable	Disposable	Disposable
Furnished	Yes	Yes	Yes	Yes
(No.) Size Recommended in. [mm]	(8)2x25x20 [51x635x508]	(8)2x25x20 [51x635x508]	(8)2x25x20 [51x635x508]	(8)2x25x20 [51x635x508]
Refrigerant Charge Oz. (Sys. 1/Sys. 2) [g]				
	205/211 [5812/5982]	205/211 [5812/5982]	294/302 [8335/8562]	294/302 [8335/8562]
Weights				
Net Weight lbs. [kg]	1826 [828]	1855 [841]	2013 [913]	2042 [926]
Ship Weight lbs. [kg]	1926 [874]	1955 [887]	2140 [971]	2169 [984]

See Page 18 for Notes.

[] Designates Metric Conversions

NOM. SIZES 15-20 TONS [52.8-70.3 kW]

Model RLNL- Series	B210DL	B210DM	B210YL	B210YM
Cooling Performance¹				CONTINUED →
Gross Cooling Capacity Btu [kW]	212,000 [60.30]	212,000 [60.30]	212,000 [60.30]	212,000 [60.30]
EER/SEER ²	11/NA	11/NA	11/NA	11/NA
Nominal CFM/AHRI Rated CFM [L/s]	7000/7025 [3303/3315]	7000/7025 [3303/3315]	7000/7025 [3303/3315]	7000/7025 [3303/3315]
AHRI Net Cooling Capacity Btu [kW]	200,000 [56.88]	200,000 [56.88]	200,000 [56.88]	200,000 [56.88]
Net Sensible Capacity Btu [kW]	150,900 [42.91]	150,900 [42.91]	150,900 [42.91]	150,900 [42.91]
Net Latent Capacity Btu [kW]	49,100 [13.96]	49,100 [13.96]	49,100 [13.96]	49,100 [13.96]
IEER ³	12.4	12.4	12.4	12.4
Net System Power kW	18.18	18.18	18.18	18.18
Compressor				
No./Type	2/Scroll	2/Scroll	2/Scroll	2/Scroll
Outdoor Sound Rating (dB)⁴	91	91	91	91
Outdoor Coil—Fin Type	Louvered	Louvered	Louvered	Louvered
Tube Type	Rifled	Rifled	Rifled	Rifled
Tube Size in. [mm] OD	0.375 [9.5]	0.375 [9.5]	0.375 [9.5]	0.375 [9.5]
Face Area sq. ft. [sq. m]	53.3 [4.95]	53.3 [4.95]	53.3 [4.95]	53.3 [4.95]
Rows / FPI [FPcm]	2 / 18 [7]	2 / 18 [7]	2 / 18 [7]	2 / 18 [7]
Indoor Coil—Fin Type	Louvered	Louvered	Louvered	Louvered
Tube Type	Rifled	Rifled	Rifled	Rifled
Tube Size in. [mm]	0.375 [9.5]	0.375 [9.5]	0.375 [9.5]	0.375 [9.5]
Face Area sq. ft. [sq. m]	26.67 [2.48]	26.67 [2.48]	26.67 [2.48]	26.67 [2.48]
Rows / FPI [FPcm]	2 / 18 [7]	2 / 18 [7]	2 / 18 [7]	2 / 18 [7]
Refrigerant Control	TX Valves	TX Valves	TX Valves	TX Valves
Drain Connection No./Size in. [mm]	1/1 [25.4]	1/1 [25.4]	1/1 [25.4]	1/1 [25.4]
Outdoor Fan—Type	Propeller	Propeller	Propeller	Propeller
No. Used/Diameter in. [mm]	4/24 [609.6]	4/24 [609.6]	4/24 [609.6]	4/24 [609.6]
Drive Type/No. Speeds	Direct/1	Direct/1	Direct/1	Direct/1
CFM [L/s]	14800 [6984]	14800 [6984]	1800 [849]	14800 [6984]
No. Motors/HP	4 at 1/3 HP	4 at 1/3 HP	4 at 1/3 HP	4 at 1/3 HP
Motor RPM	1075	1075	1075	1075
Indoor Fan—Type	FC Centrifugal	FC Centrifugal	FC Centrifugal	FC Centrifugal
No. Used/Diameter in. [mm]	2/18x9 [457x229]	2/18x9 [457x229]	2/18x9 [457x229]	2/18x9 [457x229]
Drive Type/No. Speeds	Belt/Variable	Belt/Variable	Belt/Variable	Belt/Variable
No. Motors	1	1	1	1
Motor HP	3	5	3	5
Motor RPM	1725	1725	1725	1725
Motor Frame Size	56	184	56	184
Filter—Type	Disposable	Disposable	Disposable	Disposable
Furnished	Yes	Yes	Yes	Yes
(No.) Size Recommended in. [mm]	(8)2x25x20 [51x635x508]	(8)2x25x20 [51x635x508]	(8)2x25x20 [51x635x508]	(8)2x25x20 [51x635x508]
Refrigerant Charge Oz. (Sys. 1/Sys. 2) [g]	296/302 [8392/8562]	294/302 [8335/8562]	294/302 [8335/8562]	294/302 [8335/8562]
Weights				
Net Weight lbs. [kg]	2013 [913]	2042 [926]	2013 [913]	2042 [926]
Ship Weight lbs. [kg]	2140 [971]	2169 [984]	2140 [971]	2169 [984]

See Page 18 for Notes.

[] Designates Metric Conversions

NOM. SIZES 15-20 TONS [52.8-70.3 kW]

Model RLNL- Series	B240CL	B240CM	B240CN	B240DL
Cooling Performance¹				CONTINUED →
Gross Cooling Capacity Btu [kW]	244,000 [69.40]	244,000 [69.40]	244,000 [69.40]	244,000 [69.40]
EER/SEER ²	11/NA	11/NA	11/NA	11/NA
Nominal CFM/AHRI Rated CFM [L/s]	8000/7725 [3775/3645]	8000/7725 [3775/3645]	8000/7725 [3775/3645]	8000/7725 [3775/3645]
AHRI Net Cooling Capacity Btu [kW]	228,000 [64.85]	228,000 [64.85]	228,000 [64.85]	228,000 [64.85]
Net Sensible Capacity Btu [kW]	165,600 [47.10]	165,600 [47.10]	165,600 [47.10]	165,600 [47.10]
Net Latent Capacity Btu [kW]	62,400 [17.75]	62,400 [17.75]	62,400 [17.75]	62,400 [17.75]
IEER ³	12.4	12.4	12.4	12.4
Net System Power kW	20.72	20.72	20.72	20.72
Compressor				
No./Type	2/Scroll	2/Scroll	2/Scroll	2/Scroll
Outdoor Sound Rating (dB)⁴	91	91	91	91
Outdoor Coil—Fin Type	Louvered	Louvered	Louvered	Louvered
Tube Type	Rifled	Rifled	Rifled	Rifled
Tube Size in. [mm] OD	0.375 [9.5]	0.375 [9.5]	0.375 [9.5]	0.375 [9.5]
Face Area sq. ft. [sq. m]	53.3 [4.95]	53.3 [4.95]	53.3 [4.95]	53.3 [4.95]
Rows / FPI [FPcm]	2 / 22 [9]	2 / 22 [9]	2 / 22 [9]	2 / 22 [9]
Indoor Coil—Fin Type	Louvered	Louvered	Louvered	Louvered
Tube Type	Rifled	Rifled	Rifled	Rifled
Tube Size in. [mm]	0.375 [9.5]	0.375 [9.5]	0.375 [9.5]	0.375 [9.5]
Face Area sq. ft. [sq. m]	26.67 [2.48]	26.67 [2.48]	26.67 [2.48]	26.67 [2.48]
Rows / FPI [FPcm]	3 / 13 [5]	3 / 13 [5]	3 / 13 [5]	3 / 13 [5]
Refrigerant Control	TX Valves	TX Valves	TX Valves	TX Valves
Drain Connection No./Size in. [mm]	1/1 [25.4]	1/1 [25.4]	1/1 [25.4]	1/1 [25.4]
Outdoor Fan—Type	Propeller	Propeller	Propeller	Propeller
No. Used/Diameter in. [mm]	6/24 [609.6]	6/24 [609.6]	6/24 [609.6]	6/24 [609.6]
Drive Type/No. Speeds	Direct/1	Direct/1	Direct/1	Direct/1
CFM [L/s]	19800 [9344]	19800 [9344]	19800 [9344]	19800 [9344]
No. Motors/HP	6 at 1/3 HP	6 at 1/3 HP	6 at 1/3 HP	6 at 1/3 HP
Motor RPM	1075	1075	1075	1075
Indoor Fan—Type	FC Centrifugal	FC Centrifugal	FC Centrifugal	FC Centrifugal
No. Used/Diameter in. [mm]	2/18x9 [457x229]	2/18x9 [457x229]	2/18x9 [457x229]	2/18x9 [457x229]
Drive Type/No. Speeds	Belt/Variable	Belt/Variable	Belt/Variable	Belt/Variable
No. Motors	1	1	1	1
Motor HP	5	7 1/2	7 1/2	5
Motor RPM	1725	1725	1725	1725
Motor Frame Size	184	213	213	184
Filter—Type	Disposable	Disposable	Disposable	Disposable
Furnished	Yes	Yes	Yes	Yes
(No.) Size Recommended in. [mm]	(8)2x25x20 [51x635x508]	(8)2x25x20 [51x635x508]	(8)2x25x20 [51x635x508]	(8)2x25x20 [51x635x508]
Refrigerant Charge Oz. (Sys. 1/Sys. 2) [g]	402/331 [11397/9384]	402/331 [11397/9384]	402/331 [11397/9384]	402/331 [11397/9384]
Weights				
Net Weight lbs. [kg]	2151 [976]	2189 [993]	2187 [992]	2289 [1038]
Ship Weight lbs. [kg]	2251 [1021]	2289 [1038]	2287 [1037]	2389 [1084]

See Page 18 for Notes.

[] Designates Metric Conversions

NOM. SIZES 15-20 TONS [52.8-70.3 kW]

Model RLNL- Series	B240DM	B240DN	B240YL	B240YM
Cooling Performance¹				CONTINUED →
Gross Cooling Capacity Btu [kW]	244,000 [69.40]	244,000 [69.40]	244,000 [69.40]	244,000 [69.40]
EER/SEER ²	11/NA	11/NA	11/NA	11/NA
Nominal CFM/AHRI Rated CFM [L/s]	8000/7725 [3775/3645]	8000/7725 [3775/3645]	8000/7725 [3775/3645]	8000/7725 [3775/3645]
AHRI Net Cooling Capacity Btu [kW]	228,000 [64.85]	228,000 [64.85]	228,000 [64.85]	228,000 [64.85]
Net Sensible Capacity Btu [kW]	165,600 [47.10]	165,600 [47.10]	165,600 [47.10]	165,600 [47.10]
Net Latent Capacity Btu [kW]	62,400 [17.75]	62,400 [17.75]	62,400 [17.75]	62,400 [17.75]
IEER ³	12.4	12.4	12.4	12.4
Net System Power kW	20.72	20.72	20.72	20.72
Compressor				
No./Type	2/Scroll	2/Scroll	2/Scroll	2/Scroll
Outdoor Sound Rating (dB)⁴	91	91	91	91
Outdoor Coil—Fin Type	Louvered	Louvered	Louvered	Louvered
Tube Type	Rifled	Rifled	Rifled	Rifled
Tube Size in. [mm] OD	0.375 [9.5]	0.375 [9.5]	0.375 [9.5]	0.375 [9.5]
Face Area sq. ft. [sq. m]	53.3 [4.95]	53.3 [4.95]	53.3 [4.95]	53.3 [4.95]
Rows / FPI [FPcm]	2 / 22 [9]	2 / 22 [9]	2 / 22 [9]	2 / 22 [9]
Indoor Coil—Fin Type	Louvered	Louvered	Louvered	Louvered
Tube Type	Rifled	Rifled	Rifled	Rifled
Tube Size in. [mm]	0.375 [9.5]	0.375 [9.5]	0.375 [9.5]	0.375 [9.5]
Face Area sq. ft. [sq. m]	26.67 [2.48]	26.67 [2.48]	26.67 [2.48]	26.67 [2.48]
Rows / FPI [FPcm]	3 / 13 [5]	3 / 13 [5]	3 / 13 [5]	3 / 13 [5]
Refrigerant Control	TX Valves	TX Valves	TX Valves	TX Valves
Drain Connection No./Size in. [mm]	1/1 [25.4]	1/1 [25.4]	1/1 [25.4]	1/1 [25.4]
Outdoor Fan—Type	Propeller	Propeller	Propeller	Propeller
No. Used/Diameter in. [mm]	6/24 [609.6]	6/24 [609.6]	6/24 [609.6]	6/24 [609.6]
Drive Type/No. Speeds	Direct/1	Direct/1	Direct/1	Direct/1
CFM [L/s]	19800 [9344]	19800 [9344]	19800 [9344]	19800 [9344]
No. Motors/HP	6 at 1/3 HP	6 at 1/3 HP	6 at 1/3 HP	6 at 1/3 HP
Motor RPM	1075	1075	1075	1075
Indoor Fan—Type	FC Centrifugal	FC Centrifugal	FC Centrifugal	FC Centrifugal
No. Used/Diameter in. [mm]	2/18x9 [457x229]	2/18x9 [457x229]	2/18x9 [457x229]	2/18x9 [457x229]
Drive Type/No. Speeds	Belt/Variable	Belt/Variable	Belt/Variable	Belt/Variable
No. Motors	1	1	1	1
Motor HP	7 1/2	7 1/2	5	7 1/2
Motor RPM	1725	1725	1725	1725
Motor Frame Size	184	184	184	213
Filter—Type	Disposable	Disposable	Disposable	Disposable
Furnished	Yes	Yes	Yes	Yes
(No.) Size Recommended in. [mm]	(8)2x25x20 [51x635x508]	(8)2x25x20 [51x635x508]	(8)2x25x20 [51x635x508]	(8)2x25x20 [51x635x508]
Refrigerant Charge Oz. (Sys. 1/Sys. 2) [g]	402/331 [11397/9384]	402/331 [11397/9384]	402/331 [11397/9384]	402/331 [11397/9384]
Weights				
Net Weight lbs. [kg]	2327 [1056]	2325 [1055]	2151 [976]	2189 [993]
Ship Weight lbs. [kg]	2427 [1101]	2425 [1100]	2251 [1021]	2289 [1038]

See Page 18 for Notes.

[] Designates Metric Conversions



NOM. SIZES 15-20 TONS [52.8-70.3 kW]

Model RLNL- Series	B240YN	B241CL	B241CM
Cooling Performance¹			CONTINUED →
Gross Cooling Capacity Btu [kW]	244,000 [69.40]	240,000 [68.26]	240,000 [68.26]
EER/SEER ²	11/NA	11/NA	11/NA
Nominal CFM/AHRI Rated CFM [L/s]	8000/7725 [3775/3645]	8000/7375 [3775/3480]	8000/7375 [3775/3480]
AHRI Net Cooling Capacity Btu [kW]	228,000 [64.85]	228,000 [64.85]	228,000 [64.85]
Net Sensible Capacity Btu [kW]	165,600 [47.10]	167,000 [47.50]	167,000 [47.50]
Net Latent Capacity Btu [kW]	62,400 [17.75]	63,000 [17.92]	63,000 [17.92]
IEER ³ (Standard / VFD)	12.4	12.4	12.4
Net System Power [kW]	20.72	20.73	20.73
Compressor			
No./Type	2/Scroll	2/Scroll	2/Scroll
Outdoor Sound Rating (dB)⁴	91	91	91
Outdoor Coil—Fin Type	Louvered	Louvered	Louvered
Tube Type	Rifled	MicroChannel	MicroChannel
Tube Size in. [mm] OD	0.375 [9.5]	1 [25.4]	1 [25.4]
Face Area sq. ft. [sq. m]	53.3 [4.95]	50.8 [4.72]	50.8 [4.72]
Rows / FPI [FPcm]	2 / 22 [9]	1 / 23 [9]	1 / 23 [9]
Indoor Coil—Fin Type	Louvered	Louvered	Louvered
Tube Type	Rifled	Rifled	Rifled
Tube Size in. [mm]	0.375 [9.5]	0.375 [9.5]	0.375 [9.5]
Face Area sq. ft. [sq. m]	26.67 [2.48]	26.67 [2.48]	26.67 [2.48]
Rows / FPI [FPcm]	3 / 13 [5]	4 / 15 [6]	4 / 15 [6]
Refrigerant Control	TX Valves	TX Valves	TX Valves
Drain Connection No./Size in. [mm]	1/1 [25.4]	1/1 [25.4]	1/1 [25.4]
Outdoor Fan—Type	Propeller	Propeller	Propeller
No. Used/Diameter in. [mm]	6/24 [609.6]	6/24 [609.6]	6/24 [609.6]
Drive Type/No. Speeds	Direct/1	Direct/1	Direct/1
CFM [L/s]	19800 [9344]	19800 [9344]	19800 [9344]
No. Motors/HP	6 at 1/3 HP	6 at 1/3 HP	6 at 1/3 HP
Motor RPM	1075	1075	1075
Indoor Fan—Type	FC Centrifugal	FC Centrifugal	FC Centrifugal
No. Used/Diameter in. [mm]	2/18x9 [457x229]	2/18x9 [457x229]	2/18x9 [457x229]
Drive Type/No. Speeds	Belt/Variable	Belt (Adjustable)/Single/Multiple	Belt (Adjustable)/Single/Multiple
No. Motors	1	1	1
Motor HP	7 1/2	5	7 1/2
Motor RPM	1725	1725	1725
Motor Frame Size	213	184	213
Filter—Type	Disposable	Disposable	Disposable
Furnished	Yes	Yes	Yes
(NO.) Size Recommended in. [mm x mm x mm]	(8)2x25x20 [51x635x508]	(8)2x25x20 [51x635x508]	(8)2x25x20 [51x635x508]
Refrigerant Charge Oz. [g] (Sys. 1/Sys. 2) [g]	402/331 [11397/9384]	271/227 [7683/6435]	271/227 [7683/6435]
Weights			
Net Weight lbs. [kg]	2187 [992]	2151 [976]	2189 [993]
Ship Weight lbs. [kg]	2287 [1037]	2251 [1021]	2289 [1038]

See Page 18 for Notes.

[] Designates Metric Conversions



NOM. SIZES 15-20 TONS [52.8-70.3 kW]

Model RLRL- Series	B241DL	B241DM	B241YL	B241YM
Cooling Performance¹				
Gross Cooling Capacity Btu [kW]	240,000 [68.26]	240,000 [68.26]	240,000 [68.26]	240,000 [68.26]
EER/SEER ²	11/NA	11/NA	11/NA	11/NA
Nominal CFM/AHRI Rated CFM [L/s]	8000/7375 [3775/3480]	8000/7375 [3775/3480]	8000/7375 [3775/3480]	8000/7375 [3775/3480]
AHRI Net Cooling Capacity Btu [kW]	228,000 [64.85]	228,000 [64.85]	228,000 [64.85]	228,000 [64.85]
Net Sensible Capacity Btu [kW]	167,000 [47.50]	167,000 [47.50]	167,000 [47.50]	167,000 [47.50]
Net Latent Capacity Btu [kW]	63,000 [17.92]	63,000 [17.92]	63,000 [17.92]	63,000 [17.92]
IEER ³ (Standard / VFD)	12.4	12.4	12.4	12.4
Net System Power [kW]	20.73	20.73	20.73	20.73
Compressor				
No./Type	2/Scroll	2/Scroll	2/Scroll	2/Scroll
Outdoor Sound Rating (dB)⁴				
	91	91	91	91
Outdoor Coil—Fin Type				
Tube Type	Louvered	Louvered	Louvered	Louvered
Tube Size in. [mm] OD	MicroChannel	MicroChannel	MicroChannel	MicroChannel
Face Area sq. ft. [sq. m]	1 [25.4]	1 [25.4]	1 [25.4]	1 [25.4]
Rows / FPI [FPcm]	50.8 [4.72]	50.8 [4.72]	50.8 [4.72]	50.8 [4.72]
	1 / 23 [9]	1 / 23 [9]	1 / 23 [9]	1 / 23 [9]
Indoor Coil—Fin Type				
Tube Type	Louvered	Louvered	Louvered	Louvered
Tube Size in. [mm]	Rifled	Rifled	Rifled	Rifled
Face Area sq. ft. [sq. m]	0.375 [9.5]	0.375 [9.5]	0.375 [9.5]	0.375 [9.5]
Rows / FPI [FPcm]	26.67 [2.48]	26.67 [2.48]	26.67 [2.48]	26.67 [2.48]
Refrigerant Control	4 / 15 [6]	14 / 15 [6]	4 / 15 [6]	4 / 15 [6]
Drain Connection No./Size in. [mm]	TX Valves	TX Valves	TX Valves	TX Valves
	1/1 [25.4]	1/1 [25.4]	1/1 [25.4]	1/1 [25.4]
Outdoor Fan—Type				
No. Used/Diameter in. [mm]	Propeller	Propeller	Propeller	Propeller
Drive Type/No. Speeds	6/24 [609.6]	6/24 [609.6]	6/24 [609.6]	6/24 [609.6]
CFM [L/s]	Direct/1	Direct/1	Direct/1	Direct/1
No. Motors/HP	19800 [9344]	19800 [9344]	19800 [9344]	19800 [9344]
Motor RPM	6 at 1/3 HP	6 at 1/3 HP	6 at 1/3 HP	6 at 1/3 HP
	1075	1075	1075	1075
Indoor Fan—Type				
No. Used/Diameter in. [mm]	FC Centrifugal	FC Centrifugal	FC Centrifugal	FC Centrifugal
Drive Type	2/18x9 [457x229]	2/18x9 [457x229]	2/18x9 [457x229]	2/18x9 [457x229]
No. Speeds (Standard / VFD)	Belt (Adjustable)	Belt (Adjustable)	Belt (Adjustable)	Belt (Adjustable)
No. Motors	Single / Multiple	Single / Multiple	Single	Single
Motor HP	1	1	1	1
Motor RPM	5	7 1/2	5	7 1/2
Motor Frame Size	1725	1725	1725	1725
	184	184	184	213
Filter—Type				
Furnished	Disposable	Disposable	Disposable	Disposable
(NO.) Size Recommended in. [mm x mm x mm]	Yes	Yes	Yes	Yes
	(8)2x25x20 [51x635x508]	(8)2x25x20 [51x635x508]	(8)2x25x20 [51x635x508]	(8)2x25x20 [51x635x508]
Refrigerant Charge Oz. [g] (Sys. 1/Sys. 2) [g]				
	271/227 [7683/6435]	271/227 [7683/6435]	271/227 [7683/6435]	271/227 [7683/6435]
Weights				
Net Weight lbs. [kg]	2289 [1038]	2327 [1056]	2151 [976]	2189 [993]
Ship Weight lbs. [kg]	2389 [1084]	2427 [1101]	2251 [1021]	2289 [1038]

See Page 18 for Notes.

[] Designates Metric Conversions

NOTES:

1. Cooling Performance is rated at 95° F ambient, 80° F entering dry bulb, 67° F entering wet bulb. Gross capacity does not include the effect of fan motor heat. AHRI capacity is net and includes the effect of fan motor heat. Units are suitable for operation to $\pm 20\%$ of nominal cfm. Units are certified in accordance with the Unitary Air Conditioner Equipment certification program, which is based on AHRI Standard 340/360.
2. EER is rated at AHRI conditions and in accordance with DOE test procedures.
3. Integrated Energy Efficient Ratio (IEER) is rated with AHRI Standard 340/360.
4. Outdoor Sound Rating shown is tested in accordance with AHRI Standard 270.



GROSS SYSTEMS PERFORMANCE DATA—B180

		ENTERING INDOOR AIR @ 80°F [26.7°C] dbE ①									
		71°F [21.7°C]			67°F [19.4°C]			63°F [17.2°C]			
wbE		7200 [3398]	5900 [2784]	4800 [2265]	7200 [3398]	5900 [2784]	4800 [2265]	7200 [3398]	5900 [2784]	4800 [2265]	
CFM [L/s]											
DR ①		.04	.08	.13	.04	.08	.13	.04	.08	.13	
OUTDOOR DRY BULB TEMPERATURE °F [°C]	75 [23.9]	Total BTUH [kW] Sens BTUH [kW] Power	226.5 [66.4] 148.8 [43.6] 12.6	217.8 [63.8] 126.2 [37.0] 12.3	210.4 [61.7] 108.5 [31.8] 12.1	214.3 [62.8] 174.1 [51.0] 12.4	206.0 [60.4] 149.6 [43.9] 12.2	199.0 [58.3] 130.2 [38.2] 12.0	206.3 [60.5] 193.4 [56.7] 12.2	198.4 [58.1] 167.5 [49.1] 12.0	191.7 [56.2] 146.8 [43.0] 11.8
	80 [26.7]	Total BTUH [kW] Sens BTUH [kW] Power	222.2 [65.1] 146.6 [43.0] 13.1	213.6 [62.6] 124.3 [36.4] 12.9	206.4 [60.5] 106.9 [31.3] 12.7	209.9 [61.5] 171.9 [50.4] 13.0	201.8 [59.1] 147.8 [43.3] 12.7	195.0 [57.1] 128.7 [37.7] 12.5	202.0 [59.2] 191.3 [56.1] 12.8	194.2 [56.9] 165.7 [48.6] 12.6	187.6 [55.0] 145.3 [42.6] 12.4
	85 [29.4]	Total BTUH [kW] Sens BTUH [kW] Power	217.5 [63.7] 144.1 [42.2] 13.8	209.1 [61.3] 122.3 [35.9] 13.5	202.0 [59.2] 105.2 [30.8] 13.3	205.3 [60.2] 169.5 [49.7] 13.6	197.3 [57.8] 145.7 [42.7] 13.4	190.7 [55.9] 127.0 [37.2] 13.1	197.3 [57.8] 188.8 [55.3] 13.5	189.7 [55.6] 163.6 [48.0] 13.2	183.3 [53.7] 143.5 [42.1] 13.0
	90 [32.2]	Total BTUH [kW] Sens BTUH [kW] Power	212.5 [62.3] 141.4 [41.5] 14.5	204.3 [59.9] 120.0 [35.2] 14.2	197.4 [57.9] 103.3 [30.3] 14.0	200.2 [58.7] 166.7 [48.9] 14.3	192.5 [56.4] 143.5 [42.1] 14.0	186.0 [54.5] 125.1 [36.7] 13.8	192.3 [56.4] 186.2 [54.6] 14.2	184.9 [54.2] 161.4 [47.3] 13.9	178.6 [52.3] 141.6 [41.5] 13.7
	95 [35]	Total BTUH [kW] Sens BTUH [kW] Power	207.2 [60.7] 138.5 [40.6] 15.2	199.2 [58.4] 117.6 [34.5] 14.9	192.4 [56.4] 101.2 [29.7] 14.7	194.9 [57.1] 163.9 [48.0] 15.1	187.4 [54.9] 141.1 [41.4] 14.8	181.0 [53.0] 123.0 [36.1] 14.5	187.0 [54.8] 183.3 [53.7] 14.9	179.8 [52.7] 159.0 [46.6] 14.6	173.7 [50.9] 139.6 [40.9] 14.4
	100 [37.8]	Total BTUH [kW] Sens BTUH [kW] Power	201.5 [59.1] 135.4 [39.7] 16.0	193.7 [56.8] 115.0 [33.7] 15.7	187.2 [54.9] 99.1 [29.1] 15.4	189.2 [55.4] 160.7 [47.1] 15.9	181.9 [53.3] 138.4 [40.6] 15.6	175.8 [51.5] 120.8 [35.4] 15.3	181.3 [53.1] 180.1 [52.8] 15.7	174.3 [51.1] 156.3 [45.8] 15.4	168.4 [49.4] 137.3 [40.2] 15.1
	105 [40.6]	Total BTUH [kW] Sens BTUH [kW] Power	195.5 [57.3] 132.0 [38.7] 16.9	188.0 [55.1] 112.2 [32.9] 16.5	181.6 [53.2] 96.6 [28.3] 16.3	183.2 [53.7] 157.3 [46.1] 16.7	176.2 [51.6] 135.6 [39.8] 16.4	170.2 [49.9] 118.3 [34.7] 16.1	175.3 [51.4] 175.3 [51.4] 16.5	168.5 [49.4] 153.4 [45.0] 16.2	162.8 [47.7] 134.8 [39.5] 16.0
	110 [43.3]	Total BTUH [kW] Sens BTUH [kW] Power	189.2 [55.4] 128.4 [37.6] 17.8	181.9 [53.3] 109.1 [32.0] 17.4	175.7 [51.5] 93.9 [27.5] 17.1	176.9 [51.8] 153.7 [45.1] 17.6	170.1 [49.9] 132.6 [38.9] 17.3	164.3 [48.2] 115.8 [33.9] 17.0	169.0 [49.5] 169.0 [49.5] 17.5	162.5 [47.6] 150.5 [44.1] 17.1	156.9 [46.0] 132.3 [38.8] 16.8
	115 [46.1]	Total BTUH [kW] Sens BTUH [kW] Power	182.5 [53.5] 124.5 [36.5] 18.7	175.5 [51.4] 105.9 [31.0] 18.4	169.5 [49.7] 91.2 [26.7] 18.1	170.2 [49.9] 149.9 [43.9] 18.6	163.7 [48.0] 129.4 [37.9] 18.2	158.1 [46.3] 113.0 [33.1] 17.9	162.3 [47.6] 162.3 [47.6] 18.4	156.0 [45.7] 147.2 [43.2] 18.1	150.8 [44.2] 129.6 [38.0] 17.8

GROSS SYSTEMS PERFORMANCE DATA—B210

		ENTERING INDOOR AIR @ 80°F [26.7°C] dbE ①									
		71°F [21.7°C]			67°F [19.4°C]			63°F [17.2°C]			
wbE		8400 [3964]	7025 [3315]	5600 [2643]	8400 [3964]	7025 [3315]	5600 [2643]	8400 [3964]	7025 [3315]	5600 [2643]	
CFM [L/s]											
DR ①		.06	.09	.13	.06	.09	.13	.06	.09	.13	
OUTDOOR DRY BULB TEMPERATURE °F [°C]	75 [23.9]	Total BTUH [kW] Sens BTUH [kW] Power	258.4 [75.7] 193.9 [56.8] 13.0	249.5 [73.1] 168.8 [49.5] 12.8	240.3 [70.4] 144.5 [42.4] 12.5	244.1 [71.5] 224.6 [65.8] 12.8	235.7 [69.1] 197.4 [57.9] 12.6	227.0 [66.5] 170.8 [50.1] 12.4	231.9 [68.0] 231.9 [68.0] 12.7	223.9 [65.6] 217.1 [63.6] 12.4	215.7 [63.2] 189.1 [55.4] 12.2
	80 [26.7]	Total BTUH [kW] Sens BTUH [kW] Power	252.7 [74.1] 182.3 [53.4] 13.6	244.0 [71.5] 158.3 [46.4] 13.4	235.0 [68.9] 135.2 [39.6] 13.1	238.4 [69.9] 212.9 [62.4] 13.4	230.2 [67.5] 186.9 [54.8] 13.2	221.7 [65.0] 161.5 [47.3] 13.0	226.2 [66.3] 226.2 [66.3] 13.3	218.4 [64.0] 206.6 [60.6] 13.0	210.4 [61.7] 179.8 [52.7] 12.8
	85 [29.4]	Total BTUH [kW] Sens BTUH [kW] Power	246.7 [72.3] 171.9 [50.4] 14.2	238.2 [69.8] 149.0 [43.7] 14.0	229.4 [67.2] 126.9 [37.2] 13.7	232.4 [68.1] 202.7 [59.4] 14.1	224.4 [65.8] 177.7 [52.1] 13.8	216.1 [63.3] 153.4 [45.0] 13.6	220.2 [64.5] 220.2 [64.5] 13.9	212.6 [62.3] 197.4 [57.9] 13.7	204.8 [60.0] 171.7 [50.3] 13.4
	90 [32.2]	Total BTUH [kW] Sens BTUH [kW] Power	240.4 [70.5] 162.9 [47.8] 14.9	232.1 [68.0] 141.0 [41.3] 14.7	223.5 [65.5] 119.9 [35.1] 14.4	226.1 [66.3] 193.6 [56.7] 14.8	218.3 [64.0] 169.6 [49.7] 14.5	210.3 [61.6] 146.3 [42.9] 14.3	213.9 [62.7] 213.9 [62.7] 14.6	206.5 [60.5] 189.3 [55.5] 14.4	198.9 [58.3] 164.5 [48.2] 14.1
	95 [35]	Total BTUH [kW] Sens BTUH [kW] Power	233.8 [68.5] 155.3 [45.5] 15.7	225.7 [66.1] 134.2 [39.3] 15.4	217.4 [63.7] 114.0 [33.4] 15.1	219.5 [64.3] 186.0 [54.5] 15.5	212.0 [62.1] 162.9 [47.8] 15.2	204.1 [59.8] 140.3 [41.1] 15.0	207.3 [60.8] 207.0 [60.7] 15.3	200.2 [58.7] 182.6 [53.5] 15.1	192.8 [56.5] 158.6 [46.5] 14.8
	100 [37.8]	Total BTUH [kW] Sens BTUH [kW] Power	226.9 [66.5] 149.0 [43.7] 16.5	219.1 [64.2] 128.7 [37.7] 16.2	211.0 [61.8] 109.2 [32.0] 15.9	212.6 [62.3] 179.6 [52.6] 16.3	205.3 [60.2] 157.3 [46.1] 16.0	197.7 [57.9] 135.5 [39.7] 15.7	200.4 [58.7] 200.4 [58.7] 16.1	193.5 [56.7] 177.0 [51.9] 15.9	186.4 [54.6] 153.8 [45.1] 15.6
	105 [40.6]	Total BTUH [kW] Sens BTUH [kW] Power	219.7 [64.4] 143.9 [42.2] 17.3	212.1 [62.2] 124.3 [36.4] 17.0	204.3 [59.9] 105.5 [30.9] 16.7	205.4 [60.2] 174.6 [51.2] 17.1	198.3 [58.1] 152.9 [44.8] 16.8	191.0 [56.0] 131.8 [38.6] 16.5	193.2 [56.6] 193.2 [56.6] 17.0	186.5 [54.7] 172.7 [50.6] 16.7	179.7 [52.7] 150.2 [44.0] 16.4
	110 [43.3]	Total BTUH [kW] Sens BTUH [kW] Power	212.2 [62.2] 140.3 [41.1] 18.2	204.9 [60.1] 121.3 [35.6] 17.9	197.3 [57.8] 102.9 [30.2] 17.5	197.9 [58.0] 171.0 [50.1] 18.0	191.1 [56.0] 149.9 [43.9] 17.7	184.0 [53.9] 129.3 [37.9] 17.4	185.7 [54.4] 185.7 [54.4] 17.9	179.3 [52.5] 169.6 [49.7] 17.6	172.7 [50.6] 147.6 [43.3] 17.2
	115 [46.1]	Total BTUH [kW] Sens BTUH [kW] Power	204.4 [59.9] 138.1 [40.5] 9.1	197.3 [57.8] 119.4 [35.0] 18.8	190.1 [55.7] 101.6 [29.8] 18.5	190.1 [55.7] 168.7 [49.5] 19.0	183.5 [53.8] 148.0 [43.4] 18.6	176.8 [51.8] 127.9 [37.5] 18.3	177.9 [52.1] 177.9 [52.1] 18.8	171.8 [50.3] 167.8 [49.2] 18.5	165.4 [48.5] 146.1 [42.8] 18.1

DR —Depression ratio
dbE—Entering air dry bulb
wbE—Entering air wet bulb

Total —Total capacity x 1000 BTUH
Sens —Sensible capacity x 1000 BTUH
Power —KW input

NOTES: ① When the entering air dry bulb is other than 80°F [27°C], adjust the sensible capacity from the table by adding [1.10 x CFM x (1 - DR) x (dbE - 80)].

[] Designates Metric Conversions





GROSS SYSTEMS PERFORMANCE DATA—B240

ENTERING INDOOR AIR @ 80°F [26.7°C] dbE ①											
wbE		71°F [21.7°C]			67°F [19.4°C]			63°F [17.2°C]			
CFM [L/s]		9600 [4530]	7725 [3646]	6400 [3020]	9600 [4530]	7725 [3646]	6400 [3020]	9600 [4530]	7725 [3646]	6400 [3020]	
DR ①		.06	.11	.15	.06	.11	.15	.06	.11	.15	
OUTDOOR DRY BULB TEMPERATURE °F [°C]	75 [23.9]	Total BTUH [kW]	283.5 [83.1]	271.5 [79.6]	263.0 [77.1]	269.6 [79.0]	258.2 [75.7]	250.2 [73.3]	258.7 [75.8]	247.8 [72.6]	240.0 [70.3]
		Sens BTUH [kW]	187.4 [54.9]	156.3 [45.8]	136.0 [39.9]	220.5 [64.6]	186.7 [54.7]	164.4 [48.2]	245.6 [72.0]	209.7 [61.5]	185.7 [54.4]
		Power	15.4	15.1	14.9	15.3	15.0	14.7	15.1	14.8	14.6
	80 [26.7]	Total BTUH [kW]	280.8 [82.3]	269.0 [78.8]	260.6 [76.4]	267.0 [78.2]	255.7 [74.9]	247.7 [72.6]	256.1 [75.1]	245.3 [71.9]	237.6 [69.6]
		Sens BTUH [kW]	186.4 [54.6]	155.6 [45.6]	135.4 [39.7]	219.6 [64.4]	186.0 [54.5]	163.8 [48.0]	244.7 [71.7]	209.0 [61.3]	185.2 [54.3]
		Power	16.2	15.9	15.6	16.0	15.7	15.5	15.9	15.5	15.3
	85 [29.4]	Total BTUH [kW]	277.4 [81.3]	265.7 [77.9]	257.4 [75.4]	263.5 [77.2]	252.4 [74.0]	244.5 [71.7]	252.6 [74.0]	242.0 [70.9]	234.4 [68.7]
		Sens BTUH [kW]	184.9 [54.2]	154.4 [45.3]	134.4 [39.4]	218.1 [63.9]	184.8 [54.2]	162.7 [47.7]	243.1 [71.3]	207.8 [60.9]	184.2 [54.0]
		Power	17.0	16.7	16.4	16.9	16.5	16.3	16.7	16.3	16.1
	90 [32.2]	Total BTUH [kW]	273.1 [80.0]	261.6 [76.7]	253.4 [74.3]	259.3 [76.0]	248.3 [72.8]	240.6 [70.5]	248.4 [72.8]	237.9 [69.7]	230.5 [67.6]
Sens BTUH [kW]		182.8 [53.6]	152.7 [44.8]	132.9 [39.0]	216.2 [63.4]	183.2 [53.7]	161.5 [47.3]	241.1 [70.7]	206.1 [60.4]	182.8 [53.6]	
Power		17.9	17.5	17.3	17.7	17.4	17.1	17.6	17.2	16.9	
95 [35]	Total BTUH [kW]	268.1 [78.6]	256.7 [75.2]	248.7 [72.9]	254.2 [74.5]	243.5 [71.4]	235.9 [69.1]	243.3 [71.3]	233.0 [68.3]	225.8 [66.2]	
	Sens BTUH [kW]	180.2 [52.8]	150.5 [44.1]	131.1 [38.4]	213.5 [62.6]	181.1 [53.1]	159.6 [46.8]	238.6 [69.9]	204.0 [59.8]	181.0 [53.1]	
	Power	18.8	18.4	18.2	18.7	18.3	18.0	18.5	18.1	17.8	
100 [37.8]	Total BTUH [kW]	262.2 [76.8]	251.1 [73.6]	243.3 [71.3]	248.3 [72.8]	237.8 [69.7]	230.4 [67.5]	237.4 [69.6]	227.4 [66.6]	220.3 [64.6]	
	Sens BTUH [kW]	177.1 [51.9]	148.0 [43.4]	129.0 [37.8]	210.4 [61.7]	178.5 [52.3]	157.4 [46.1]	235.3 [69.0]	201.4 [59.0]	178.7 [52.4]	
	Power	19.8	19.4	19.1	19.6	19.2	18.9	19.5	19.1	18.8	
105 [40.6]	Total BTUH [kW]	255.5 [74.9]	244.7 [71.7]	237.1 [69.5]	241.6 [70.8]	231.4 [67.8]	224.2 [65.7]	230.7 [67.6]	221.0 [64.8]	214.1 [62.7]	
	Sens BTUH [kW]	173.4 [50.8]	145.0 [42.5]	126.4 [37.1]	206.6 [60.6]	175.4 [51.4]	154.7 [45.3]	230.7 [67.6]	198.4 [58.2]	176.2 [51.6]	
	Power	20.8	20.4	20.1	20.7	20.2	19.9	20.5	20.1	19.8	
110 [43.3]	Total BTUH [kW]	248.0 [72.7]	237.5 [69.6]	230.1 [67.4]	234.1 [68.6]	224.2 [65.7]	217.2 [63.7]	223.2 [65.4]	213.8 [62.7]	207.1 [60.7]	
	Sens BTUH [kW]	169.2 [49.6]	141.5 [41.5]	123.4 [36.2]	202.4 [59.3]	171.9 [50.4]	151.7 [44.5]	223.2 [65.4]	194.9 [57.1]	173.1 [50.7]	
	Power	21.9	21.5	21.1	21.7	21.3	21.0	21.6	21.1	20.8	
115 [46.1]	Total BTUH [kW]	239.6 [70.2]	229.5 [67.3]	222.3 [65.1]	225.8 [66.2]	216.2 [63.4]	209.5 [61.4]	214.9 [63.0]	205.8 [60.3]	199.4 [58.4]	
	Sens BTUH [kW]	164.3 [48.2]	137.5 [40.3]	119.9 [35.1]	197.7 [58.0]	168.0 [49.2]	148.4 [43.5]	214.9 [63.0]	191.0 [56.0]	169.8 [49.8]	
	Power	23.1	22.6	22.2	22.9	22.4	22.1	22.7	22.2	21.9	

DR —Depression ratio
dbE —Entering air dry bulb
wbE—Entering air wet bulb

Total —Total capacity x 1000 BTUH
Sens —Sensible capacity x 1000 BTUH
Power—KW input

NOTES: ① When the entering air dry bulb is other than 80°F [27°C], adjust the sensible capacity from the table by adding [1.10 x CFM x (1 – DR) x (dbE – 80)].

[] Designates Metric Conversions





GROSS SYSTEMS PERFORMANCE DATA—RLNL-B241

ENTERING INDOOR AIR @ 80°F [26.7°C] dbE ①											
wbE		71°F [21.7°C]			67°F [19.4°C]			63°F [17.2°C]			
CFM [L/s]		8113 [3829]	7375 [3481]	6269 [2959]	8113 [3829]	7375 [3481]	6269 [2959]	8113 [3829]	7375 [3481]	6269 [2959]	
DR ①		.11	.09	.06	.11	.09	.06	.11	.09	.06	
OUTDOOR DRY BULB TEMPERATURE °F [°C]	75 [23.9]	Total BTUH [kW]	245.4 [71.9]	241.0 [70.6]	234.4 [68.7]	245.4 [71.9]	241.0 [70.6]	234.4 [68.7]	245.4 [71.9]	241.0 [70.6]	234.4 [68.7]
		Sens BTUH [kW]	186.3 [54.6]	178.0 [52.2]	165.5 [48.5]	186.3 [54.6]	178.0 [52.2]	165.5 [48.5]	186.3 [54.6]	178.0 [52.2]	165.5 [48.5]
		Power	16.5	16.4	16.2	16.5	16.4	16.2	16.5	16.4	16.2
	80 [26.7]	Total BTUH [kW]	245.4 [71.9]	241.0 [70.6]	234.4 [68.7]	245.4 [71.9]	241.0 [70.6]	234.4 [68.7]	245.4 [71.9]	241.0 [70.6]	234.4 [68.7]
		Sens BTUH [kW]	186.3 [54.6]	178.0 [52.2]	165.5 [48.5]	186.3 [54.6]	178.0 [52.2]	165.5 [48.5]	186.3 [54.6]	178.0 [52.2]	165.5 [48.5]
		Power	16.5	16.4	16.2	16.5	16.4	16.2	16.5	16.4	16.2
	85 [29.4]	Total BTUH [kW]	245.4 [71.9]	241.0 [70.6]	234.4 [68.7]	245.4 [71.9]	241.0 [70.6]	234.4 [68.7]	245.4 [71.9]	241.0 [70.6]	234.4 [68.7]
		Sens BTUH [kW]	186.3 [54.6]	178.0 [52.2]	165.5 [48.5]	186.3 [54.6]	178.0 [52.2]	165.5 [48.5]	186.3 [54.6]	178.0 [52.2]	165.5 [48.5]
		Power	16.5	16.4	16.2	16.5	16.4	16.2	16.5	16.4	16.2
	90 [32.2]	Total BTUH [kW]	245.4 [71.9]	241.0 [70.6]	234.4 [68.7]	245.4 [71.9]	241.0 [70.6]	234.4 [68.7]	245.4 [71.9]	241.0 [70.6]	234.4 [68.7]
		Sens BTUH [kW]	186.3 [54.6]	178.0 [52.2]	165.5 [48.5]	186.3 [54.6]	178.0 [52.2]	165.5 [48.5]	186.3 [54.6]	178.0 [52.2]	165.5 [48.5]
		Power	16.5	16.4	16.2	16.5	16.4	16.2	16.5	16.4	16.2
95 [35]	Total BTUH [kW]	245.4 [71.9]	241.0 [70.6]	234.4 [68.7]	245.4 [71.9]	241.0 [70.6]	234.4 [68.7]	245.4 [71.9]	241.0 [70.6]	234.4 [68.7]	
	Sens BTUH [kW]	186.3 [54.6]	178.0 [52.2]	165.5 [48.5]	186.3 [54.6]	178.0 [52.2]	165.5 [48.5]	186.3 [54.6]	178.0 [52.2]	165.5 [48.5]	
	Power	16.5	16.4	16.2	16.5	16.4	16.2	16.5	16.4	16.2	
100 [37.8]	Total BTUH [kW]	245.4 [71.9]	241.0 [70.6]	234.4 [68.7]	245.4 [71.9]	241.0 [70.6]	234.4 [68.7]	245.4 [71.9]	241.0 [70.6]	234.4 [68.7]	
	Sens BTUH [kW]	186.3 [54.6]	178.0 [52.2]	165.5 [48.5]	186.3 [54.6]	178.0 [52.2]	165.5 [48.5]	186.3 [54.6]	178.0 [52.2]	165.5 [48.5]	
	Power	16.5	16.4	16.2	16.5	16.4	16.2	16.5	16.4	16.2	
105 [40.6]	Total BTUH [kW]	245.4 [71.9]	241.0 [70.6]	234.4 [68.7]	245.4 [71.9]	241.0 [70.6]	234.4 [68.7]	245.4 [71.9]	241.0 [70.6]	234.4 [68.7]	
	Sens BTUH [kW]	186.3 [54.6]	178.0 [52.2]	165.5 [48.5]	186.3 [54.6]	178.0 [52.2]	165.5 [48.5]	186.3 [54.6]	178.0 [52.2]	165.5 [48.5]	
	Power	16.5	16.4	16.2	16.5	16.4	16.2	16.5	16.4	16.2	
110 [43.3]	Total BTUH [kW]	245.4 [71.9]	241.0 [70.6]	234.4 [68.7]	245.4 [71.9]	241.0 [70.6]	234.4 [68.7]	245.4 [71.9]	241.0 [70.6]	234.4 [68.7]	
	Sens BTUH [kW]	186.3 [54.6]	178.0 [52.2]	165.5 [48.5]	186.3 [54.6]	178.0 [52.2]	165.5 [48.5]	186.3 [54.6]	178.0 [52.2]	165.5 [48.5]	
	Power	16.5	16.4	16.2	16.5	16.4	16.2	16.5	16.4	16.2	
115 [46.1]	Total BTUH [kW]	245.4 [71.9]	241.0 [70.6]	234.4 [68.7]	245.4 [71.9]	241.0 [70.6]	234.4 [68.7]	245.4 [71.9]	241.0 [70.6]	234.4 [68.7]	
	Sens BTUH [kW]	186.3 [54.6]	178.0 [52.2]	165.5 [48.5]	186.3 [54.6]	178.0 [52.2]	165.5 [48.5]	186.3 [54.6]	178.0 [52.2]	165.5 [48.5]	
	Power	16.5	16.4	16.2	16.5	16.4	16.2	16.5	16.4	16.2	
120 [48.9]	Total BTUH [kW]	245.4 [71.9]	241.0 [70.6]	234.4 [68.7]	245.4 [71.9]	241.0 [70.6]	234.4 [68.7]	245.4 [71.9]	241.0 [70.6]	234.4 [68.7]	
	Sens BTUH [kW]	186.3 [54.6]	178.0 [52.2]	165.5 [48.5]	186.3 [54.6]	178.0 [52.2]	165.5 [48.5]	186.3 [54.6]	178.0 [52.2]	165.5 [48.5]	
	Power	16.5	16.4	16.2	16.5	16.4	16.2	16.5	16.4	16.2	
125 [51.7]	Total BTUH [kW]	245.4 [71.9]	241.0 [70.6]	234.4 [68.7]	245.4 [71.9]	241.0 [70.6]	234.4 [68.7]	245.4 [71.9]	241.0 [70.6]	234.4 [68.7]	
	Sens BTUH [kW]	186.3 [54.6]	178.0 [52.2]	165.5 [48.5]	186.3 [54.6]	178.0 [52.2]	165.5 [48.5]	186.3 [54.6]	178.0 [52.2]	165.5 [48.5]	
	Power	16.5	16.4	16.2	16.5	16.4	16.2	16.5	16.4	16.2	

DR —Depression ratio
dbE —Entering air dry bulb
wbE —Entering air wet bulb

Total —Total capacity x 1000 BTUH
Sens —Sensible capacity x 1000 BTUH
Power —KW input

NOTES: ① When the entering air dry bulb is other than 80°F [27°C], adjust the sensible capacity from the table by adding [1.10 x CFM x (1 – DR) x (dbE – 80)].

[] Designates Metric Conversions



AIRFLOW PERFORMANCE — 15 TON [52.8 kW]—SIDEFLOW

Air Flow CFM [L/s]	External Static Pressure—Inches of Water [kPa]																											
	Model RLNL-B180 Voltage 208/230, 460, 575 — 3 Phase							1.0 [0.25]							1.1 [0.27]							1.2 [0.30]						
	0.1 [0.02]	0.2 [0.05]	0.3 [0.07]	0.4 [0.10]	0.5 [0.12]	0.6 [0.15]	0.7 [0.17]	0.8 [0.20]	0.9 [0.22]	1.0 [0.25]	1.1 [0.27]	1.2 [0.30]	1.3 [0.32]	1.4 [0.35]	1.5 [0.37]	1.6 [0.40]	1.7 [0.42]	1.8 [0.45]	1.9 [0.47]	2.0 [0.50]								
4800 [2265]	—	—	—	—	—	563 [1393]	608 [1508]	632 [1621]	656 [1732]	679 [1841]	701 [1947]	723 [2052]	744 [2154]	764 [2254]	785 [2326]	805 [2430]	825 [2537]	844 [2647]	863 [2761]	881 [2878]								
5000 [2359]	—	—	—	—	591 [1476]	616 [1593]	640 [1707]	663 [1820]	686 [1930]	708 [2038]	729 [2145]	750 [2248]	771 [2350]	791 [2450]	811 [2528]	830 [2640]	850 [2755]	868 [2873]	887 [2995]									
5200 [2454]	—	—	—	—	600 [1454]	624 [1562]	648 [1671]	671 [1781]	693 [1893]	715 [2003]	736 [2113]	757 [2224]	777 [2336]	797 [2441]	817 [2520]	836 [2633]	855 [2749]	874 [2869]	892 [3118]									
5400 [2548]	—	—	—	—	583 [1530]	608 [1652]	632 [1772]	655 [1890]	678 [2005]	701 [2119]	722 [2231]	743 [2340]	764 [2447]	784 [2512]	804 [2626]	823 [2744]	842 [2865]	861 [2989]	879 [3117]	897 [3248]								
5600 [2643]	—	—	—	—	592 [1621]	616 [1745]	640 [1866]	663 [1986]	686 [2103]	708 [2218]	729 [2331]	750 [2442]	770 [2551]	791 [2620]	810 [2739]	830 [2861]	849 [2987]	867 [3116]	885 [3248]	903 [3384]								
5800 [2737]	—	—	—	—	576 [1588]	601 [1715]	625 [1840]	649 [1964]	672 [2085]	694 [2204]	716 [2321]	737 [2436]	757 [2548]	778 [2614]	798 [2735]	817 [2858]	836 [2985]	855 [3116]	873 [3249]	891 [3386]	909 [3527]							
6000 [2831]	—	—	—	—	585 [1683]	610 [1813]	634 [1940]	657 [2065]	680 [2187]	702 [2308]	724 [2426]	744 [2543]	765 [2657]	785 [2731]	805 [2856]	824 [2984]	843 [3116]	861 [3251]	879 [3389]	897 [3531]	914 [3676]							
6200 [2926]	—	—	—	—	570 [1650]	595 [1783]	619 [1913]	643 [2042]	666 [2169]	688 [2293]	710 [2415]	731 [2535]	752 [2653]	773 [2728]	792 [2854]	811 [2984]	831 [3116]	850 [3253]	868 [3392]	886 [3535]	903 [3682]	920 [3832]						
6400 [3020]	—	—	—	—	579 [1750]	604 [1885]	628 [2017]	652 [2148]	674 [2276]	697 [2402]	718 [2526]	739 [2648]	760 [2767]	780 [2852]	800 [2993]	819 [3118]	838 [3255]	856 [3396]	875 [3541]	892 [3688]	909 [3839]	926 [3994]						
6600 [3114]	—	—	—	—	589 [1854]	614 [1991]	637 [2125]	661 [2257]	683 [2386]	705 [2514]	727 [2640]	748 [2763]	768 [2884]	788 [2984]	808 [3119]	827 [3258]	845 [3400]	861 [3695]	899 [3847]	916 [4003]								
6800 [3209]	—	—	—	—	574 [1822]	599 [1961]	623 [2099]	647 [2235]	670 [2369]	692 [2500]	714 [2629]	735 [2756]	756 [2882]	776 [2984]	796 [3121]	815 [3262]	834 [3405]	853 [3552]	871 [3702]	888 [3856]	905 [4013]	922 [4173]						
7000 [3303]	—	—	—	—	584 [1930]	609 [2072]	633 [2211]	656 [2349]	679 [2484]	701 [2617]	723 [2748]	744 [2877]	764 [3003]	785 [3124]	804 [3265]	823 [3410]	842 [3559]	860 [3710]	878 [3865]	895 [4024]	912 [4185]	929 [4350]						
7200 [3398]	570 [1897]	595 [2042]	619 [2185]	643 [2327]	666 [2466]	689 [2602]	711 [2737]	732 [2870]	753 [3000]	773 [3127]	793 [3270]	812 [3416]	831 [3566]	849 [3719]	868 [3875]	885 [4035]	902 [4198]	919 [4364]										

NOTE: L-Drive left of bold line, M-Drive right of bold line.

Drive Package	L							M								
Motor H.P. [W]	3.0 [2237.1]							5.0 [3728.5]								
Blower Sheave	BK105H							BK105H								
Motor Sheave	1VL-44							1VP-56								
Turns Open	1	2	3	4	5	6	927	1	2	3	4	5	6	808	808	775
RPM	733	701	669	640	605	572	903	873	840	808	775	743	710	677	644	611

NOTES: 1. Factory sheave settings are shown in bold type.

2. Do not set motor sheave below minimum turns open shown.

3. Re-adjustment of sheave required to achieve rated airflow at AHRI minimum External Static Pressure.

4. Drive data shown is for horizontal airflow with dry coil. Add component resistance (below) to duct resistance to determine total External Static Pressure.

COMPONENT AIR RESISTANCE — 15 TON [52.8 kW]

CFM [L/s]	Resistance — Inches of Water [kPa]													
	4800 [2265]	5000 [2360]	5200 [2454]	5400 [2549]	5600 [2643]	5800 [2737]	6000 [2832]	6200 [2926]	6400 [3020]	6600 [3115]	6800 [3209]	7000 [3304]	7200 [3398]	
Wet Coil	0.03 [0.01]	0.04 [0.01]	0.05 [0.01]	0.06 [0.01]	0.07 [0.01]	0.08 [0.02]	0.09 [0.02]	0.10 [0.02]	0.10 [0.02]	0.11 [0.02]	0.12 [0.03]	0.13 [0.03]		
Downflow	0.05 [0.01]	0.05 [0.01]	0.05 [0.01]	0.05 [0.01]	0.05 [0.01]	0.05 [0.01]	0.05 [0.01]	0.06 [0.01]	0.06 [0.01]	0.07 [0.02]	0.08 [0.02]	0.08 [0.02]		
Downflow Economizer	0.09 [0.02]	0.10 [0.02]	0.10 [0.02]	0.11 [0.03]	0.12 [0.03]	0.13 [0.03]	0.14 [0.03]	0.15 [0.04]	0.16 [0.04]	0.17 [0.04]	0.18 [0.04]	0.18 [0.04]		
R.A. Damper Open	0.00 [0.00]	0.01 [0.00]	0.01 [0.00]	0.02 [0.00]	0.02 [0.00]	0.03 [0.00]	0.03 [0.00]	0.04 [0.01]	0.04 [0.01]	0.05 [0.01]	0.05 [0.01]	0.06 [0.01]		
Concentric Grill RXRN-AD80 or RXRN-AD81 & Transition RXMC-CJ07	0.21 [0.05]	0.25 [0.06]	0.28 [0.07]	0.32 [0.08]	0.35 [0.09]	0.39 [0.10]	0.43 [0.11]	0.46 [0.11]	0.50 [0.12]	0.54 [0.13]	0.57 [0.14]	0.61 [0.15]	0.64 [0.16]	

NOTE: Add component resistance to duct resistance to determine total external static pressure.

AIRFLOW CORRECTION FACTORS — 15 TON [52.8 kW]

ACTUAL—CFM [L/s]	4800 [2265]	5000 [2360]	5200 [2454]	5400 [2549]	5600 [2643]	5800 [2737]	6000 [2832]	6200 [2926]	6400 [3020]	6600 [3115]	6800 [3209]	7000 [3304]	7200 [3398]
TOTAL MBTUH	0.97	0.97	0.98	0.98	0.99	1.00	1.00	1.01	1.02	1.02	1.03	1.03	1.04
SENSIBLE MBTUH	0.87	0.90	0.92	0.94	0.97	0.99	1.02	1.04	1.06	1.09	1.11	1.14	1.16
POWER KW	0.98	0.98	0.99	0.99	0.99	1.00	1.00	1.00	1.01	1.01	1.01	1.02	1.02

NOTES: Multiply correction factor times gross performance data—resulting sensible capacity cannot exceed total capacity.

[] Designates Metric Conversions

AIRFLOW PERFORMANCE -- 17.5 TON [61.5 kW]--SIDEFLOW

Air Flow CFM [L/s]	External Static Pressure--Inches of Water [kPa]																												
	Model RLNL-B210 Voltage 208/230, 460, 575 -- 3 Phase																												
	0.1 [0.02]	0.2 [0.05]	0.3 [0.07]	0.4 [0.10]	0.5 [0.12]	0.6 [0.15]	0.7 [0.17]	0.8 [0.20]	0.9 [0.22]	1.0 [0.25]	1.1 [0.27]	1.2 [0.30]	1.3 [0.32]	1.4 [0.35]	1.5 [0.37]	1.6 [0.40]	1.7 [0.42]	1.8 [0.45]	1.9 [0.47]	2.0 [0.50]									
5600 [2643]	—	—	—	—	—	—	—	—	—	—	—	—	—	—	—	—	—	—	—	—	—	—	—	—	—	—	—	—	
5800 [2731]	—	—	—	—	—	—	—	—	—	—	—	—	—	—	—	—	—	—	—	—	—	—	—	—	—	—	—	—	—
6000 [2831]	—	—	—	—	—	—	—	—	—	—	—	—	—	—	—	—	—	—	—	—	—	—	—	—	—	—	—	—	—
6200 [2926]	—	—	—	—	—	—	—	—	—	—	—	—	—	—	—	—	—	—	—	—	—	—	—	—	—	—	—	—	—
6400 [3020]	—	—	—	—	—	—	—	—	—	—	—	—	—	—	—	—	—	—	—	—	—	—	—	—	—	—	—	—	—
6600 [3114]	—	—	—	—	—	—	—	—	—	—	—	—	—	—	—	—	—	—	—	—	—	—	—	—	—	—	—	—	—
6800 [3209]	—	—	—	—	—	—	—	—	—	—	—	—	—	—	—	—	—	—	—	—	—	—	—	—	—	—	—	—	—
7000 [3303]	—	—	—	—	—	—	—	—	—	—	—	—	—	—	—	—	—	—	—	—	—	—	—	—	—	—	—	—	—
7200 [3398]	—	—	—	—	—	—	—	—	—	—	—	—	—	—	—	—	—	—	—	—	—	—	—	—	—	—	—	—	—
7400 [3492]	—	—	—	—	—	—	—	—	—	—	—	—	—	—	—	—	—	—	—	—	—	—	—	—	—	—	—	—	—
7600 [3586]	—	—	—	—	—	—	—	—	—	—	—	—	—	—	—	—	—	—	—	—	—	—	—	—	—	—	—	—	—
7800 [3681]	—	—	—	—	—	—	—	—	—	—	—	—	—	—	—	—	—	—	—	—	—	—	—	—	—	—	—	—	—
8000 [3775]	—	—	—	—	—	—	—	—	—	—	—	—	—	—	—	—	—	—	—	—	—	—	—	—	—	—	—	—	—
8200 [3869]	—	—	—	—	—	—	—	—	—	—	—	—	—	—	—	—	—	—	—	—	—	—	—	—	—	—	—	—	—
8400 [3964]	—	—	—	—	—	—	—	—	—	—	—	—	—	—	—	—	—	—	—	—	—	—	—	—	—	—	—	—	—

NOTE: L-Drive left of bold line, M-Drive right of bold line.

Drive Package	L						M					
	1	2	3	4	5	6	1	2	3	4	5	6
Motor H.P. [W]	3.0 [2237.1]						5.0 [3728.5]					
Blower Sheave	BK100H						BK105H					
Motor Sheave	1VP-44						1VP-56					
Turns Open	763	731	699	666	633	601	939	909	879	845	814	781
RPM	—	—	—	—	—	—	—	—	—	—	—	—

NOTES: 1. Factory sheave settings are shown in bold type.
 2. Do not set motor sheave below minimum turns open shown.
 3. Re-adjustment of sheave required to achieve rated airflow at AHRI minimum External Static Pressure.
 4. Drive data shown is for horizontal airflow with dry coil. Add component resistance (below) to duct resistance to determine total External Static Pressure.

COMPONENT AIR RESISTANCE -- 17.5 TON [61.5 kW]

CFM [L/s]	Resistance -- Inches of Water [kPa]																
	5600 [2643]	5800 [2731]	6000 [2831]	6200 [2926]	6400 [3020]	6600 [3114]	6800 [3209]	7000 [3303]	7200 [3398]	7400 [3492]	7600 [3586]	7800 [3681]	8000 [3775]	8200 [3869]	8400 [3964]		
Wet Coil	0.06 [0.01]	0.07 [0.02]	0.08 [0.02]	0.09 [0.02]	0.10 [0.02]	0.11 [0.02]	0.12 [0.03]	0.13 [0.03]	0.14 [0.03]	0.15 [0.04]	0.16 [0.04]	0.17 [0.04]	0.18 [0.04]	0.19 [0.05]	0.20 [0.05]		
Downdraft	0.05 [0.01]	0.05 [0.01]	0.05 [0.01]	0.05 [0.01]	0.05 [0.01]	0.06 [0.01]	0.06 [0.02]	0.06 [0.02]	0.07 [0.02]	0.07 [0.02]	0.08 [0.03]	0.08 [0.03]	0.09 [0.03]	0.09 [0.03]	0.10 [0.03]		
Downdraft Economizer	0.12 [0.03]	0.13 [0.03]	0.13 [0.03]	0.14 [0.03]	0.14 [0.04]	0.15 [0.04]	0.16 [0.04]	0.17 [0.04]	0.18 [0.05]	0.19 [0.05]	0.20 [0.05]	0.21 [0.05]	0.22 [0.06]	0.23 [0.06]	0.24 [0.06]		
R.A. Damper Open	0.02 [0.00]	0.03 [0.01]	0.03 [0.01]	0.04 [0.01]	0.04 [0.01]	0.05 [0.01]	0.05 [0.01]	0.06 [0.01]	0.06 [0.01]	0.07 [0.02]	0.07 [0.02]	0.08 [0.02]	0.09 [0.02]	0.09 [0.02]	0.10 [0.02]		
Concentric Grill RXRN-AD80 or RXRN-AD81 & Transition RXMC-CJ07	0.35 [0.09]	0.39 [0.10]	0.43 [0.11]	0.46 [0.11]	0.50 [0.11]	0.54 [0.13]	0.57 [0.14]	0.61 [0.15]	0.64 [0.16]	0.68 [0.17]	0.72 [0.18]	0.75 [0.19]	0.79 [0.20]	0.83 [0.21]	0.86 [0.21]		
Concentric Grill RXRN-AD86 & Transition RXMC-CK08	0.14 [0.03]	0.17 [0.04]	0.20 [0.05]	0.23 [0.06]	0.26 [0.06]	0.29 [0.07]	0.32 [0.08]	0.35 [0.09]	0.38 [0.09]	0.41 [0.10]	0.44 [0.11]	0.47 [0.12]	0.50 [0.12]	0.53 [0.13]	0.56 [0.14]		

AIRFLOW CORRECTION FACTORS -- 17.5 TON [61.5 kW]

ACTUAL--CFM [L/s]	5600 [2643]	5800 [2731]	6000 [2831]	6200 [2926]	6400 [3020]	6600 [3114]	6800 [3209]	7000 [3303]	7200 [3398]	7400 [3492]	7600 [3586]	7800 [3681]	8000 [3775]	8200 [3869]	8400 [3964]
TOTAL MB/UH	0.96	0.97	0.97	0.98	0.98	0.99	0.99	1.00	1.00	1.00	1.00	1.01	1.01	1.03	1.04
SENSIBLE MB/UH	0.86	0.88	0.90	0.92	0.94	0.96	0.98	1.00	1.02	1.04	1.06	1.08	1.10	1.12	1.14
POWER kW	0.99	0.99	0.99	0.99	1.00	1.00	1.00	1.00	1.01	1.01	1.01	1.01	1.02	1.02	1.02

NOTES: Multiply correction factor times gross performance data--resulting sensible capacity cannot exceed total capacity.

[] Designates Metric Conversions

AIRFLOW PERFORMANCE — 20 TON [70.3 kW]—SIDEFLOW (B240)

Air Flow CFM [L/s]	External Static Pressure—Inches of Water [kPa]																			
	Model RLNL-B240 Voltage 208/230, 460, 575 — 3 Phase																			
	0.1 [0.02]	0.2 [0.05]	0.3 [0.07]	0.4 [0.10]	0.5 [0.12]	0.6 [0.15]	0.7 [0.17]	0.8 [0.20]	0.9 [0.22]	1.0 [0.25]	1.1 [0.27]	1.2 [0.30]	1.3 [0.32]	1.4 [0.35]	1.5 [0.37]	1.6 [0.40]	1.7 [0.42]	1.8 [0.45]	1.9 [0.47]	2.0 [0.50]
6400 [3020]	—	—	—	—	—	—	—	—	—	—	—	—	—	—	—	—	—	—	—	—
6600 [3115]	—	—	—	—	—	—	—	—	—	—	—	—	—	—	—	—	—	—	—	—
6800 [3209]	—	—	—	—	—	—	—	—	—	—	—	—	—	—	—	—	—	—	—	—
7000 [3304]	—	—	—	—	—	—	—	—	—	—	—	—	—	—	—	—	—	—	—	—
7200 [3398]	—	—	—	—	—	—	—	—	—	—	—	—	—	—	—	—	—	—	—	—
7400 [3492]	—	—	—	—	—	—	—	—	—	—	—	—	—	—	—	—	—	—	—	—
7600 [3587]	—	—	—	—	—	—	—	—	—	—	—	—	—	—	—	—	—	—	—	—
7800 [3681]	—	—	—	—	—	—	—	—	—	—	—	—	—	—	—	—	—	—	—	—
8000 [3776]	632	2485	664	2631	676	2780	698	2931	719	3085	741	3241	763	3394	785	4089	805	4276	824	4449
8200 [3870]	644	2640	666	2793	688	2948	710	3105	732	3265	754	3427	776	3592	797	3780	816	3942	835	4105
8400 [3964]	657	2805	679	2964	701	3126	723	3290	745	3456	767	3625	789	3796	808	3978	827	4143	846	4309
8600 [4058]	670	2980	692	3146	714	3314	736	3484	758	3657	780	3832	800	4017	819	4184	838	4352	856	4521
8800 [4153]	683	3166	705	3338	727	3511	749	3689	771	3868	791	4059	811	4229	831	4424	849	4577	867	4744
9000 [4248]	697	3361	719	3540	741	3721	763	3904	785	4089	805	4276	824	4449	842	4622	860	4796	877	4971
9200 [4342]	711	3567	733	3752	755	3939	777	4129	798	4327	817	4502	835	4678	853	4854	871	5031	888	5209
9400 [4436]	725	3783	747	3975	769	4168	792	4381	811	4558	829	4736	847	4915	865	5094	882	5274	899	5455
9600 [4531]	739	4010	762	4207	784	4407	805	4617	823	4798	842	4979	859	5161	877	5343	894	5526	910	5709

NOTE: L-Drive left of bold line, M-Drive right of bold line.

Drive Package	L	M	N (field installed only)					
Motor H.P. [W]	5.0 [3728.5]	7.5 [5592.7]	7.5 [5592.7]	—	—	—	—	—
Blower Sheave	BK130H	BK130H	BK120H	—	—	—	—	—
Motor Sheave	1VP-56	1VP-71	1VP-71	—	—	—	—	—
Turns Open	1 2 3 4	3 4 5 6	3 4 5 6	1	2	3	4	5
RPM	756 734 709 683 658 631 928 902 874 847 820 793 1009 981 955 928 899 870	—	—	—	—	—	—	—

NOTES: 1. Factory sheave settings are shown in bold type.

2. Do not set motor sheave below minimum turns open shown.

3. Re-adjustment of sheave required to achieve rated airflow at AHRI minimum External Static Pressure.

4. Drive data shown is for horizontal airflow with dry coil. Add component resistance (below) to duct resistance to determine total External Static Pressure.

COMPONENT AIRFLOW RESISTANCE — 20 TON [70.3 kW] (B240)

CFM [L/s]	Resistance — Inches of Water [kPa]																			
	6400 [3020]	6600 [3114]	6800 [3209]	7000 [3303]	7200 [3398]	7400 [3492]	7600 [3586]	7800 [3681]	8000 [3775]	8200 [3869]	8400 [3964]	8600 [4058]	8800 [4153]	9000 [4247]	9200 [4341]	9400 [4436]	9600 [4530]			
Wet Coil	0.00	0.00	0.00	0.01	0.01	0.02	0.02	0.03	0.03	0.04	0.05	0.05	0.06	0.06	0.07	0.07	0.07	0.07	0.07	0.07
Downflow	0.06	0.06	0.07	0.08	0.09	0.10	0.11	0.12	0.13	0.14	0.15	0.16	0.18	0.19	0.20	0.22	0.22	0.22	0.22	0.22
Downflow Economizer R.A. Damper Open	0.15	0.16	0.16	0.17	0.18	0.19	0.20	0.21	0.22	0.23	0.24	0.25	0.26	0.27	0.28	0.29	0.30	0.30	0.30	0.30
Horizontal Economizer R.A. Damper Open	0.04	0.05	0.05	0.06	0.06	0.07	0.07	0.08	0.09	0.09	0.10	0.10	0.11	0.11	0.12	0.12	0.13	0.13	0.13	0.13
Concentric Grill RXRN-AD86 & Transition RXMC-CK08	0.26	0.29	0.32	0.35	0.38	0.41	0.44	0.47	0.50	0.53	0.56	0.59	0.62	0.65	0.69	0.72	0.75	0.75	0.75	0.75

AIRFLOW CORRECTION FACTORS — 20 TON [70.3 kW] (B240)

ACTUAL—CFM [L/s]	6400 [3020]	6600 [3114]	6800 [3209]	7000 [3303]	7200 [3398]	7400 [3492]	7600 [3586]	7800 [3681]	8000 [3775]	8200 [3869]	8400 [3964]	8600 [4058]	8800 [4153]	9000 [4247]	9200 [4341]	9400 [4436]	9600 [4530]
TOTAL MBH	0.97	0.97	0.98	0.98	0.99	0.99	1.00	1.01	1.01	1.01	1.02	1.02	1.03	1.03	1.03	1.04	1.04
SENSIBLE MBH	0.88	0.90	0.92	0.94	0.96	0.97	0.99	1.01	1.03	1.05	1.07	1.09	1.10	1.12	1.14	1.16	1.18
POWER kW	0.98	0.99	0.99	0.99	0.99	1.00	1.00	1.00	1.00	1.01	1.01	1.01	1.01	1.01	1.01	1.02	1.02

NOTES: Multiply correction factor times gross performance data—resulting sensible capacity cannot exceed total capacity.

[] Designates Metric Conversions

AIRFLOW PERFORMANCE — 20 TON [70.3 kW] — 60 Hz — SIDEFLOW (B241)

Air Flow CFM [L/s]	Model RLNL-B241 Voltage 208/230, 460, 575 — 3 Phase 60 Hz																																							
	External Static Pressure—Inches of Water [kPa]																																							
	0.1 [0.02]	0.2 [0.05]	0.3 [0.07]	0.4 [0.10]	0.5 [0.12]	0.6 [0.15]	0.7 [0.17]	0.8 [0.20]	0.9 [0.22]	1.0 [0.25]	1.1 [0.27]	1.2 [0.30]	1.3 [0.32]	1.4 [0.35]	1.5 [0.37]	1.6 [0.40]	1.7 [0.42]	1.8 [0.45]	1.9 [0.47]	2.0 [0.50]																				
6400 [3020]	—	—	—	—	685	2151	707	2306	729	2461	750	2617	771	2774	792	2932	813	3090	833	3250	853	3409	872	3570	892	3731	911	3894	929	4056	948	4220	966	4384	984	4549				
6600 [3114]	—	—	—	—	698	2306	720	2462	741	2619	782	2777	783	2936	804	3095	824	3255	844	3415	863	3577	882	3739	901	3902	920	4065	938	4230	956	4395	974	4561	992	4727				
6800 [3209]	—	—	—	690	2313	712	2470	733	2628	754	2786	775	2946	795	3106	815	3266	835	3428	854	3590	874	3753	892	3917	911	4081	929	4246	947	4412	965	4579	983	4746	1000	4914			
7000 [3303]	—	—	682	2327	704	2484	725	2643	746	2802	767	2962	787	3123	807	3285	827	3447	846	3610	865	3774	884	3938	903	4103	921	4268	939	4436	957	4603	974	4771	991	4940	1008	5110		
7200 [3398]	—	—	696	2505	717	2665	738	2825	759	2985	779	3147	799	3309	819	3472	838	3636	857	3801	876	3966	895	4132	913	4299	931	4466	949	4634	966	4803	983	4973	1000	5143	—	—		
7400 [3492]	—	689	2533	710	2693	731	2854	752	3015	772	3177	792	3341	812	3504	831	3669	850	3834	869	4000	887	4167	906	4334	924	4503	941	4672	959	4841	976	5012	992	5183	1009	5355	—	—	
7600 [3586]	682	2566	704	2727	724	2889	745	3051	765	3214	785	3378	805	3543	824	3708	843	3874	862	4041	880	4209	899	4377	917	4546	934	4716	951	4886	968	5057	985	5229	1002	5402	—	—		
7800 [3681]	697	2768	718	2931	739	3094	759	3258	779	3423	798	3588	818	3754	837	3921	856	4089	874	4257	892	4426	910	4596	928	4766	945	4937	962	5109	979	5282	995	5456	—	—	—	—		
8000 [3775]	712	2979	733	3143	753	3308	773	3473	793	3640	812	3806	831	3974	850	4142	869	4312	888	4481	904	4652	921	4823	939	4995	956	5168	972	5342	989	5516	1005	5691	—	—	—	—		
8200 [3869]	728	3199	748	3365	768	3531	787	3698	806	3865	825	4034	844	4203	862	4373	881	4543	898	4715	916	4887	933	5060	950	5233	967	5407	983	5583	999	5758	—	—	—	—	—	—		
8400 [3964]	743	3428	763	3595	782	3762	802	3931	820	4100	839	4270	857	4441	875	4612	893	4784	911	4957	928	5131	945	5305	961	5480	978	5656	994	5832	1009	6010	—	—	—	—	—	—		
8600 [4058]	758	3665	778	3834	797	4003	816	4173	835	4343	853	4515	871	4687	889	4860	906	5034	923	5208	940	5383	956	5559	973	5735	989	5913	1004	6091	—	—	—	—	—	—	—	—		
8800 [4153]	774	3911	793	4081	812	4252	830	4423	849	4596	867	4769	884	4942	902	5117	919	5292	936	5468	952	5644	968	5822	984	6000	1000	6179	—	—	—	—	—	—	—	—	—	—		
9000 [4247]	805	4166	808	4338	827	4510	845	4683	863	4857	881	5031	898	5206	915	5382	932	5559	948	5736	964	5915	980	6093	996	6273	—	—	—	—	—	—	—	—	—	—	—	—	—	—
9200 [4341]	836	4430	824	4603	842	4777	860	4951	877	5127	895	5303	912	5479	929	5657	945	5835	961	6014	977	6194	992	6374	1008	6555	—	—	—	—	—	—	—	—	—	—	—	—	—	—
9400 [4436]	821	4703	839	4877	857	5052	875	5229	892	5405	909	5583	926	5761	942	5940	959	6120	974	6300	989	6481	1005	6663	—	—	—	—	—	—	—	—	—	—	—	—	—	—	—	—
9600 [4530]	837	4984	855	5160	872	5337	890	5514	907	5693	923	5872	940	6052	956	6232	971	6413	987	6595	1002	6778	—	—	—	—	—	—	—	—	—	—	—	—	—	—	—	—	—	—

NOTE: L-Drive left of bold line, M-Drive right of bold line, N-Drive right of double line.

Drive Package	L										M										N (field installed only)									
Motor H.P. [W]	5.0 [3728.5]										7.5 [5592.7]										7.5 [5592.7]									
Blower Sheave	BK120H										BK130H										BK120H									
Motor Sheave	1VP-56										1VP-71										1VP-71									
Turns Open	1	2	3	4	5	6	1	2	3	4	5	6	1	2	3	4	5	6	1	2	3	4	5	6						
RPM	822	798	771	742	712	684	932	905	878	851	824	797	1007	978	949	921	892	863												

NOTES: 1. Factory sheave settings are shown in bold type.
 2. Do not set motor sheave below minimum turns open shown.
 3. Re-adjustment of sheave required to achieve rated airflow at AHRI minimum External Static Pressure.
 4. Drive data shown is for horizontal airflow with dry coil. Add component resistance (below) to duct resistance to determine total External Static Pressure.

[] Designates Metric Conversions

COMPONENT AIRFLOW RESISTANCE—20 TON [70.3 kW] (B241)

Airflow CFM [L/s]	Airflow Correction Factors*				Component Airflow Resistance							
	Total MBH		Sensible MBH		Power kW	Wet Coil	Downflow	Downflow Economizer RA Damper Open	Horizontal Economizer RA Damper Open	Concentric Grill RXRN-AD86 or RXRN-AD81 & Transition RXMC-CJ07	Concentric Grill RXRN-AD86 & Transition RXMC-CK08	Concentric Grill RXRN-AD88 & Transition RXMC-CL09
	0.97	0.98	0.90	0.92								
6400 [3020]	0.97	0.88	0.98	0.98	0.98	0.01 [0.00]	0.06 [0.01]	0.15 [0.04]	0.04 [0.01]	0.50 [0.12]	—	—
6600 [3114]	0.97	0.90	0.99	0.99	0.99	0.02 [0.00]	0.06 [0.01]	0.16 [0.04]	0.05 [0.01]	0.54 [0.13]	—	—
6800 [3209]	0.98	0.92	0.99	0.99	0.99	0.03 [0.01]	0.07 [0.02]	0.16 [0.04]	0.05 [0.01]	—	—	—
7000 [3303]	0.98	0.94	0.99	0.99	0.99	0.03 [0.01]	0.08 [0.02]	0.17 [0.04]	0.06 [0.01]	—	—	—
7200 [3398]	0.99	0.96	0.99	0.99	0.99	0.04 [0.01]	0.08 [0.02]	0.18 [0.04]	0.06 [0.01]	—	0.38 [0.09]	—
7400 [3492]	0.99	0.97	1.00	1.00	1.00	0.05 [0.01]	0.09 [0.02]	0.19 [0.05]	0.07 [0.02]	—	0.41 [0.10]	—
7600 [3586]	1.00	0.99	1.00	1.00	1.00	0.06 [0.01]	0.10 [0.02]	0.20 [0.05]	0.07 [0.02]	—	0.44 [0.11]	—
7800 [3681]	1.00	1.01	1.00	1.00	1.00	0.06 [0.01]	0.11 [0.03]	0.21 [0.05]	0.08 [0.02]	—	0.47 [0.12]	—
8000 [3775]	1.01	1.03	1.00	1.00	1.00	0.07 [0.02]	0.12 [0.03]	0.22 [0.05]	0.09 [0.02]	—	0.50 [0.12]	—
8200 [3869]	1.01	1.05	1.01	1.01	1.01	0.08 [0.02]	0.13 [0.03]	0.23 [0.06]	0.09 [0.02]	—	0.53 [0.13]	—
8400 [3964]	1.02	1.07	1.01	1.01	1.01	0.09 [0.02]	0.14 [0.03]	0.24 [0.06]	0.10 [0.02]	—	0.56 [0.14]	—
8600 [4058]	1.02	1.09	1.01	1.01	1.01	0.09 [0.02]	0.15 [0.04]	0.25 [0.06]	0.10 [0.02]	—	0.59 [0.15]	—
8800 [4153]	1.03	1.10	1.01	1.01	1.01	0.10 [0.02]	0.16 [0.04]	0.26 [0.06]	0.11 [0.03]	—	0.62 [0.15]	—
9000 [4247]	1.03	1.12	1.01	1.01	1.01	0.11 [0.03]	0.18 [0.04]	0.27 [0.07]	0.11 [0.03]	—	—	—
9200 [4341]	1.03	1.14	1.02	1.02	1.02	0.12 [0.03]	0.19 [0.05]	0.28 [0.07]	0.12 [0.03]	—	—	—
9400 [4436]	1.04	1.16	1.02	1.02	1.02	0.12 [0.03]	0.20 [0.05]	0.29 [0.07]	0.12 [0.03]	—	—	—
9600 [4530]	1.04	1.18	1.02	1.02	1.02	0.13 [0.03]	0.22 [0.05]	0.30 [0.07]	0.13 [0.03]	—	—	—

* Multiply correction factor times gross performance data—resulting sensible capacity cannot exceed total capacity.

[] Designates Metric Conversions

ELECTRICAL DATA – RLNL- SERIES										
		B180CL	B180CM	B180DL	B180DM	B180YL	B180YM	B210CL	B210CM	B210DL
Unit Information	Unit Operating Voltage Range	187-253	187-253	414-506	414-506	518-632	518-632	187-253	187-253	414-506
	Volts	208/230	208/230	460	460	575	575	208/230	208/230	460
	Minimum Circuit Ampacity	78/78	81/81	38	40	28	30	88/88	91/91	44
	Minimum Overcurrent Protection Device Size	90/90	90/90	45	45	30	35	100/100	100/100	50
	Maximum Overcurrent Protection Device Size	100/100	100/100	45	50	35	35	110/110	110/110	50
Compressor Motor	No.	2	2	2	2	2	2	2	2	2
	Volts	200/230	200/230	460	460	575	575	200/230	200/230	460
	Phase	3	3	3	3	3	3	3	3	3
	RPM	3450	3450	3450	3450	3450	3450	3450	3450	3450
	HP, Compressor 1	7	7	7	7	7	7	7 1/2	7 1/2	7 1/2
	Amps (RLA), Comp. 1	25/25	25/25	12.2	12.2	9	9	29.5/29.5	29.5/29.5	14.7
	Amps (LRA), Comp. 1	164/164	164/164	100	100	78	78	195/195	195/195	95
	HP, Compressor 2	7	7	7	7	7	7	7 1/2	7 1/2	7 1/2
	Amps (RLA), Comp. 2	25/25	25/25	12.2	12.2	9	9	29.5/29.5	29.5/29.5	14.7
Amps (LRA), Comp. 2	164/164	164/164	100	100	78	78	195/195	195/195	95	
Condenser Motor	No.	4	4	4	4	4	4	4	4	4
	Volts	208/230	208/230	460	460	575	575	208/230	208/230	460
	Phase	1	1	1	1	1	1	1	1	1
	HP	1/3	1/3	1/3	1/3	1/3	1/3	1/3	1/3	1/3
	Amps (FLA, each)	2.4/2.4	2.4/2.4	1.4	1.4	1	1	2.4/2.4	2.4/2.4	1.4
	Amps (LRA, each)	4.7/4.7	4.7/4.7	2.4	2.4	1.8	1.8	4.7/4.7	4.7/4.7	2.4
Evaporator Fan	No.	1	1	1	1	1	1	1	1	1
	Volts	208/230	208/230	460	460	575	575	208/230	208/230	460
	Phase	3	3	3	3	3	3	3	3	3
	HP	3	5	3	5	3	5	3	5	3
	Amps (FLA, each)	11.5/11.5	14.9/14.9	4.6	6.6	3.5	5.3	11.5/11.5	14.9/14.9	4.6
	Amps (LRA, each)	74.5/74.5	82.6/82.6	38.1	46.3	20	39.4	74.5/74.5	82.6/82.6	38.1

ELECTRICAL DATA – RLNL- SERIES

		B210DM	B210YL	B210YM	B240CL	B240CM	B240CN	B240DL	B240DM	B240DN
Unit Information	Unit Operating Voltage Range	414-506	518-632	518-632	187-253	187-253	187-253	414-506	414-506	414-506
	Volts	460	575	575	208/230	208/230	208/230	460	460	460
	Minimum Circuit Ampacity	46	35	37	101/101	109/109	109/109	52	56	56
	Minimum Overcurrent Protection Device Size	50	40	40	110/110	125/125	125/125	60	60	60
	Maximum Overcurrent Protection Device Size	50	45	45	125/125	125/125	125/125	60	70	70
Compressor Motor	No.	2	2	2	2	2	2	2	2	2
	Volts	460	575	575	200/230	200/230	200/230	460	460	460
	Phase	3	3	3	3	3	3	3	3	3
	RPM	3450	3450	3450	3450	3450	3450	3450	3450	3450
	HP, Compressor 1	7 1/2	7 1/2	7 1/2	10	10	10	10	10	10
	Amps (RLA), Comp. 1	14.7	12.2	12.2	33.3/33.3	33.3/33.3	33.3/33.3	17.9	17.9	17.9
	Amps (LRA), Comp. 1	95	80	80	239/239	239/239	239/239	125	125	125
	HP, Compressor 2	7 1/2	7 1/2	7 1/2	7 1/2	7 1/2	7 1/2	7 1/2	7 1/2	7 1/2
	Amps (RLA), Comp. 2	14.7	12.2	12.2	29.5/29.5	29.5/29.5	29.5/29.5	14.7	14.7	14.7
Amps (LRA), Comp. 2	95	80	80	195/195	195/195	195/195	95	95	95	
Condenser Motor	No.	4	4	4	6	6	6	6	6	6
	Volts	460	575	575	208/230	208/230	208/230	460	460	460
	Phase	1	1	1	1	1	1	1	1	1
	HP	1/3	1/3	1/3	1/3	1/3	1/3	1/3	1/3	1/3
	Amps (FLA, each)	1.4	1	1	2.4/2.4	2.4/2.4	2.4/2.4	1.4	1.4	1.4
	Amps (LRA, each)	2.4	1.8	1.8	4.7/4.7	4.7/4.7	4.7/4.7	2.4	2.4	2.4
Evaporator Fan	No.	1	1	1	1	1	1	1	1	1
	Volts	460	575	575	208/230	208/230	208/230	460	460	460
	Phase	3	3	3	3	3	3	3	3	3
	HP	5	3	5	5	7 1/2	7 1/2	5	7 1/2	7 1/2
	Amps (FLA, each)	6.6	3.5	5.3	14.9/14.9	23.1/23.1	23.1/23.1	6.6	9.6	9.6
	Amps (LRA, each)	46.3	20	39.4	82.6/82.6	136/136	136/136	46.3	67	67

ELECTRICAL DATA – RLNL- SERIES				
		B240YL	B240YM	B240YN
Unit Information	Unit Operating Voltage Range	518-632	518-632	518-632
	Volts	575	575	575
	Minimum Circuit Ampacity	40	42	42
	Minimum Overcurrent Protection Device Size	45	50	50
	Maximum Overcurrent Protection Device Size	50	50	50
Compressor Motor	No.	2	2	2
	Volts	575	575	575
	Phase	3	3	3
	RPM	3450	3450	3450
	HP, Compressor 1	10	10	10
	Amps (RLA), Comp. 1	12.8	12.8	12.8
	Amps (LRA), Comp. 1	80	80	80
	HP, Compressor 2	7 1/2	7 1/2	7 1/2
	Amps (RLA), Comp. 2	12.2	12.2	12.2
Amps (LRA), Comp. 2	80	80	80	
Condenser Motor	No.	6	6	6
	Volts	575	575	575
	Phase	1	1	1
	HP	1/3	1/3	1/3
	Amps (FLA, each)	1	1	1
	Amps (LRA, each)	1.8	1.8	1.8
Evaporator Fan	No.	1	1	1
	Volts	575	575	575
	Phase	3	3	3
	HP	5	7 1/2	7 1/2
	Amps (FLA, each)	5.3	7.8	7.8
	Amps (LRA, each)	39.4	53.8	53.8

ELECTRICAL DATA – RLNL- SERIES

		B241CL	B241CM	B241DL	B241DM	B241YL	B241YM
Unit Information	Unit Operating Voltage Range	187-253	187-253	414-506	414-506	518-632	518-632
	Volts	208/230	208/230	460	460	575	575
	Minimum Circuit Ampacity	95/95	103/103	49	52	37	39
	Minimum Overcurrent Protection Device Size	110/110	125/125	60	60	40	45
	Maximum Overcurrent Protection Device Size	110/110	125/125	60	60	45	50
Compressor Motor	No.	2	2	2	2	2	2
	Volts	200/230	200/230	460	460	575	575
	Phase	3	3	3	3	3	3
	RPM	3450	3450	3450	3450	3450	3450
	HP, Compressor 1	10	10	10	10	10	10
	Amps (RLA), Comp. 1	30.1/30.1	30.1/30.1	16.7	16.7	12.2	12.2
	Amps (LRA), Comp. 1	225/225	225/225	114	114	80	80
	HP, Compressor 2	7 1/2	7 1/2	7 1/2	7 1/2	7 1/2	7 1/2
	Amps (RLA), Comp. 2	27.6/27.6	27.6/27.6	12.8	12.8	9.6	9.6
Amps (LRA), Comp. 2	191/191	191/191	100	100	78	78	
Compressor Motor	No.	6	6	6	6	6	6
	Volts	208/230	208/230	460	460	575	575
	Phase	1	1	1	1	1	1
	HP	1/3	1/3	1/3	1/3	1/3	1/3
	Amps (FLA, each)	2.4/2.4	2.4/2.4	1.4	1.4	1	1
	Amps (LRA, each)	4.7/4.7	4.7/4.7	2.4	2.4	1.8	1.8
Evaporator Fan	No.	1	1	1	1	1	1
	Volts	208/230	208/230	460	460	575	575
	Phase	3	3	3	3	3	3
	HP	5	7 1/2	5	7 1/2	5	7 1/2
	Amps (FLA, each)	14.7/14.7	23.1/23.1	6.6	9.6	5.3	7.8
	Amps (LRA, each)	82.6/82.6	136/136	46.3	67	39.4	53.8



Air

Electric Heater Kits
RLNL-B Series

208/240 VOLT, THREE PHASE, 60 HZ, AUXILIARY ELECTRIC HEATER KITS CHARACTERISTICS AND APPLICATION															
Single Power Supply for Both Unit and Heater Kit										Separate Power Supply for Both Unit and Heater Kit					
Model No. RLNL-	RXJJ- Heater Kit Nominal kW	No. of Sequence Steps	Heater Kit			Air Conditioner				Heater Kit			Air Conditioner		
			Rated Heater kW @ 208/240V	Heater kBtu/Hr @ 208/240V	Heater Amps @ 208/240V	Unit Min. Ckt. Ampacity @ 208/240V	Over Current Protective Device Size Min./Max. 208V	Over Current Protective Device Size Min./Max. 240V	Min. Ckt. Ampacity 208/240V	Max. Fuse Size 208/240V	Min. Circuit Ampacity 208/240V	Over Current Protective Device Size Min./Max. 208V	Over Current Protective Device Size Min./Max. 240V		
B180CL	No Heat	—	—	—	—	78/78	90/100	90/100	—	78/78	90/100	90/100	—	78/78	90/100
	CE20C	14.4/19.2	49.13/65.5	40/46.2	78/78	90/100	90/100	50/58	50/60	—	—	—	—	—	—
	CE40C	28.8/38.3	98.25/130.66	79.9/92.2	115/130	125/125	150/150	100/116	100/125	—	—	—	—	—	—
	CE60C	43.2/57.5	147.38/196.16	119.9/138.3	165/188	175/175	200/200	150/173	150/175	—	—	—	—	—	—
B210CL	CE75C	54/71.9	184.22/245.29	149.8/172.8	202/231	225/225	250/250	188/217	200/225	—	—	—	—	—	—
	No Heat	—	—	—	88/88	100/110	100/110	—	88/88	100/110	100/110	100/110	—	88/88	100/110
	CE20C	14.4/19.2	49.13/65.5	40/46.2	88/88	100/110	100/110	50/58	50/60	—	—	—	—	—	—
	CE40C	28.8/38.3	98.25/130.66	79.9/92.2	115/130	125/125	150/150	100/116	100/125	—	—	—	—	—	—
B240CL	CE60C	43.2/57.5	147.38/196.16	119.9/138.3	165/188	175/175	200/200	150/173	150/175	—	—	—	—	—	—
	CE75C	54/71.9	184.22/245.29	149.8/172.8	202/231	225/225	250/250	188/217	200/225	—	—	—	—	—	—
	No Heat	—	—	—	101/101	110/125	110/125	—	101/101	110/125	110/125	110/125	—	101/101	110/125
	CE20C	14.4/19.2	49.13/65.5	40/46.2	101/101	110/125	110/125	50/58	50/60	—	—	—	—	—	—
B180CM	CE40C	28.8/38.3	98.25/130.66	79.9/92.2	119/134	125/125	150/150	100/116	100/125	—	—	—	—	—	—
	CE60C	43.2/57.5	147.38/196.16	119.9/138.3	169/192	175/175	200/200	150/173	150/175	—	—	—	—	—	—
	CE75C	54/71.9	184.22/245.29	149.8/172.8	206/235	225/225	250/250	188/217	200/225	—	—	—	—	—	—
	No Heat	—	—	—	81/81	90/100	90/100	—	81/81	90/100	90/100	90/100	—	81/81	90/100
B210CM	CE20C	14.4/19.2	49.13/65.5	40/46.2	81/81	90/100	90/100	50/58	50/60	—	—	—	—	—	—
	CE40C	28.8/38.3	98.25/130.66	79.9/92.2	119/134	125/125	150/150	100/116	100/125	—	—	—	—	—	—
	CE60C	43.2/57.5	147.38/196.16	119.9/138.3	169/192	175/175	200/200	150/173	150/175	—	—	—	—	—	—
	CE75C	54/71.9	184.22/245.29	149.8/172.8	206/235	225/225	250/250	188/217	200/225	—	—	—	—	—	—
B240CM	No Heat	—	—	—	91/91	100/110	100/110	—	91/91	100/110	100/110	100/110	—	91/91	100/110
	CE20C	14.4/19.2	49.13/65.5	40/46.2	91/91	100/110	100/110	50/60	50/60	—	—	—	—	—	—
	CE40C	28.8/38.3	98.25/130.66	79.9/92.2	119/134	125/125	150/150	100/116	100/125	—	—	—	—	—	—
	CE60C	43.2/57.5	147.38/196.16	119.9/138.3	169/192	175/175	200/200	150/173	150/175	—	—	—	—	—	—
B240CN	CE75C	54/71.9	184.22/245.29	149.8/172.8	206/235	225/225	250/250	188/217	200/225	—	—	—	—	—	—
	No Heat	—	—	—	109/109	125/125	125/125	—	109/109	125/125	125/125	125/125	—	109/109	125/125
	CE20C	14.4/19.2	49.13/65.5	40/46.2	109/109	125/125	125/125	50/58	50/60	—	—	—	—	—	—
	CE40C	28.8/38.3	98.25/130.66	79.9/92.2	129/145	150/150	150/150	100/116	100/125	—	—	—	—	—	—
B240CN	CE60C	43.2/57.5	147.38/196.16	119.9/138.3	179/202	200/200	225/225	150/173	150/175	—	—	—	—	—	—
	CE75C	54/71.9	184.22/245.29	149.8/172.8	217/245	225/225	250/250	188/217	200/225	—	—	—	—	—	—
	No Heat	—	—	—	109/109	125/125	125/125	—	109/109	125/125	125/125	125/125	—	109/109	125/125
	CE20C	14.4/19.2	49.13/65.5	40/46.2	109/109	125/125	125/125	50/58	50/60	—	—	—	—	—	—
B240CN	CE40C	28.8/38.3	98.25/130.66	79.9/92.2	129/145	150/150	150/150	100/116	100/125	—	—	—	—	—	—
	CE60C	43.2/57.5	147.38/196.16	119.9/138.3	179/202	200/200	225/225	150/173	150/175	—	—	—	—	—	—
	CE75C	54/71.9	184.22/245.29	149.8/172.8	217/245	225/225	250/250	188/217	200/225	—	—	—	—	—	—
	No Heat	—	—	—	109/109	125/125	125/125	—	109/109	125/125	125/125	125/125	—	109/109	125/125

* = For Canadian use only. Uses "P" fuses for inductive circuit.

+ = Field installed only.



480 VOLT, THREE PHASE, 60 HZ. AUXILIARY ELECTRIC HEATER KITS CHARACTERISTICS AND APPLICATION													
Model No. RLNL-	Single Power Supply for Both Unit and Heater Kit						Separate Power Supply for Both Unit and Heater Kit						
	Heater Kit			Air Conditioner			Heater Kit			Air Conditioner			
	RXJJ-Heater Kit Nominal kW	No. of Sequence Steps	Rated Heater kW @ 480V	Heater kBTU/Hr @ 480V	Heater Amps @ 480V	Unit Min. Ckt. Ampacity @ 480V	Over Current Protective Device Size Min./Max. 480V	Min. Ckt. Ampacity 480V	Max. Fuse Size 480V	Min. Circuit Ampacity 480V	Over Current Protective Device Size Min./Max. 480V		
B180DL	No Heat	—	—	—	—	38	45/45	—	—	38	45/45		
	CE20D	1	19.2	65.5	23.1	38	45/45	29	30	29	—		
	CE40D	2	38.4	131	46.2	64	70/70	58	60	58	—		
	CE60D	2	57.6	196.5	69.3	93	100/100	87	90	87	—		
B210DL	CE75D	2	72	245.63	86.6	114	125/125	109	110	109	—		
	No Heat	—	—	—	—	44	50/50	—	—	44	50/50		
	CE20D	1	19.2	65.5	23.1	44	50/50	29	30	29	—		
	CE40D	2	38.4	131	46.2	64	70/70	58	60	58	—		
B240DL	CE60D	2	57.6	196.5	69.3	93	100/100	87	90	87	—		
	CE75D	2	72	245.63	86.6	114	125/125	109	110	109	—		
	No Heat	—	—	—	—	52	60/60	—	—	52	60/60		
	CE20D	1	19.2	65.5	23.1	52	60/60	29	30	29	—		
B180DM	CE40D	2	38.4	131	46.2	67	70/70	58	60	58	—		
	CE60D	2	57.6	196.5	69.3	95	100/100	87	90	87	—		
	CE75D	2	72	245.63	86.6	117	125/125	109	110	109	—		
	No Heat	—	—	—	—	40	45/50	—	—	40	45/50		
B210DM	CE20D	1	19.2	65.5	23.1	40	45/50	29	30	29	—		
	CE40D	2	38.4	131	46.2	67	70/70	58	60	58	—		
	CE60D	2	57.6	196.5	69.3	95	100/100	87	90	87	—		
	CE75D	2	72	245.63	86.6	117	125/125	109	110	109	—		
B240DM	No Heat	—	—	—	—	46	50/50	—	—	46	50/50		
	CE20D	1	19.2	65.5	23.1	46	50/50	29	30	29	—		
	CE40D	2	38.4	131	46.2	67	70/70	58	60	58	—		
	CE60D	2	57.6	196.5	69.3	99	100/100	87	90	87	—		
B240DN	CE75D	2	72	245.63	86.6	121	125/125	109	110	109	—		
	No Heat	—	—	—	—	56	60/70	—	—	56	60/70		
	CE20D	1	19.2	65.5	23.1	56	60/70	29	30	29	—		
	CE40D	2	38.4	131	46.2	70	70/70	58	60	58	—		
	CE60D	2	57.6	196.5	69.3	99	100/100	87	90	87	—		
	CE75D	2	72	245.63	86.6	121	125/125	109	110	109	—		
	No Heat	—	—	—	—	56	60/70	—	—	56	60/70		
	CE20D	1	19.2	65.5	23.1	56	60/70	29	30	29	—		
	CE40D	2	38.4	131	46.2	70	70/70	58	60	58	—		
	CE60D	2	57.6	196.5	69.3	99	100/100	87	90	87	—		
	CE75D	2	72	245.63	86.6	121	125/125	109	110	109	—		

*= For Canadian use only. Uses "P" fuses for inductive circuit.
 + = Field installed only.



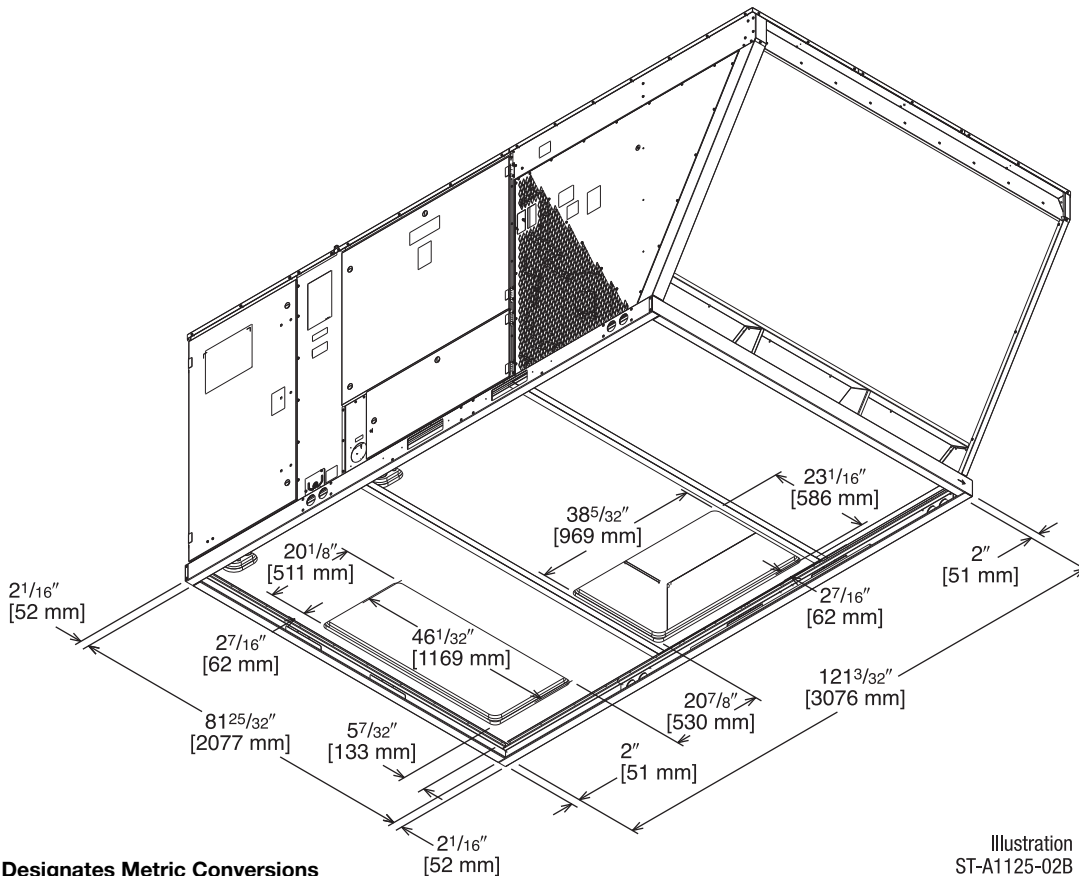
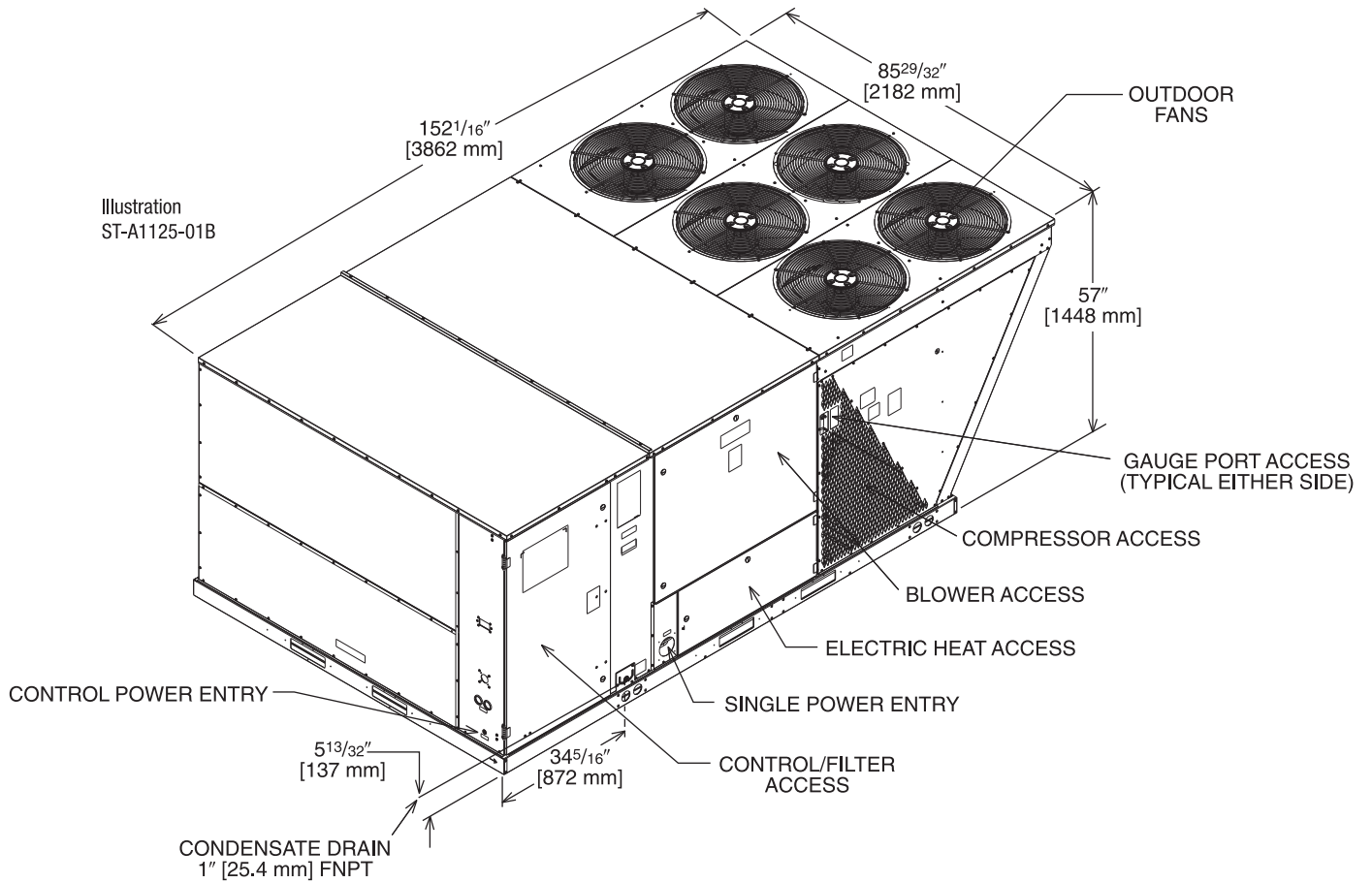
600 VOLT, THREE PHASE, 60 HZ., AUXILIARY ELECTRIC HEATER KITS CHARACTERISTICS AND APPLICATION													
Single Power Supply for Both Unit and Heater Kit										Separate Power Supply for Both Unit and Heater Kit			
Model No. RLNL-	RXJJ-Heater Kit Nominal kW	No. of Sequence Steps	Rated Heater kW @ 600V	Heater kBTU/Hr @ 600V	Heater Amps @ 600V	Unit Min. Ckt. Ampacity @ 600V	Over Current Protective Device Size		Min. Circuit Ampacity 600V	Max. Fuse Size 600V	Min. Circuit Ampacity 600V	Over Current Protective Device Size	
							Min./Max. 600V	Min./Max. 600V				Min./Max. 600V	Min./Max. 600V
B180YL	No Heat	—	—	—	—	28	30/35	—	—	28	—	30/35	—
	CE20Y	1	19.2	65.5	18.5	28	30/35	24	25	—	—	—	—
	CE40Y	2	38.4	131	37	51	60/60	47	50	—	—	—	—
	CE60Y	2	57.6	196.5	55.4	74	80/80	70	70	—	—	—	—
B210YL	CE75Y	2	72	245.63	69.3	92	100/100	87	90	—	—	—	—
	No Heat	—	—	—	—	35	40/45	—	—	35	—	40/45	—
	CE20Y	1	19.2	65.5	18.5	35	40/45	24	25	—	—	—	—
	CE40Y	2	38.4	131	37	51	60/60	47	50	—	—	—	—
B240YL	CE60Y	2	57.6	196.5	55.4	74	80/80	70	70	—	—	—	—
	CE75Y	2	72	245.63	69.3	92	100/100	87	90	—	—	—	—
	No Heat	—	—	—	—	40	45/50	—	—	40	—	45/50	—
	CE20Y	1	19.2	65.5	18.5	40	45/50	24	25	—	—	—	—
B180YM	CE40Y	2	38.4	131	37	53	60/60	47	50	—	—	—	—
	CE60Y	2	57.6	196.5	55.4	76	80/80	70	70	—	—	—	—
	CE75Y	2	72	245.63	69.3	94	100/100	87	90	—	—	—	—
	No Heat	—	—	—	—	30	35/35	—	—	30	—	35/35	—
B210YM	CE20Y	1	19.2	65.5	18.5	30	35/35	24	25	—	—	—	—
	CE40Y	2	38.4	131	37	53	60/60	47	50	—	—	—	—
	CE60Y	2	57.6	196.5	55.4	76	80/80	70	70	—	—	—	—
	CE75Y	2	72	245.63	69.3	94	100/100	87	90	—	—	—	—
B240YM	No Heat	—	—	—	—	37	40/45	—	—	37	—	40/45	—
	CE20Y	1	19.2	65.5	18.5	37	40/45	24	25	—	—	—	—
	CE40Y	2	38.4	131	37	53	60/60	47	50	—	—	—	—
	CE60Y	2	57.6	196.5	55.4	76	80/80	70	70	—	—	—	—
B240YN	CE75Y	2	72	245.63	69.3	97	100/100	87	90	—	—	—	—
	No Heat	—	—	—	—	42	50/50	—	—	42	—	50/50	—
	CE20Y	1	19.2	65.5	18.5	42	50/50	24	25	—	—	—	—
	CE40Y	2	38.4	131	37	56	60/60	47	50	—	—	—	—
B240YN	CE60Y	2	57.6	196.5	55.4	80	80/80	70	70	—	—	—	—
	CE75Y	2	72	245.63	69.3	97	100/100	87	90	—	—	—	—
	No Heat	—	—	—	—	42	50/50	—	—	42	—	50/50	—
	CE20Y	1	19.2	65.5	18.5	42	50/50	24	25	—	—	—	—
B240YN	CE40Y	2	38.4	131	37	56	60/60	47	50	—	—	—	—
	CE60Y	2	57.6	196.5	55.4	80	80/80	70	70	—	—	—	—
	CE75Y	2	72	245.63	69.3	97	100/100	87	90	—	—	—	—
	No Heat	—	—	—	—	42	50/50	—	—	42	—	50/50	—

*= For Canadian use only. Uses "P" fuses for inductive circuit.
+ = Field installed only.

208/240 VOLT, THREE PHASE, 60 HZ, AUXILIARY ELECTRIC HEATER KITS CHARACTERISTICS AND APPLICATION														
Single Power Supply for Both Unit and Heater Kit						Separate Power Supply for Both Unit and Heater Kit								
Model No. RLRL-	RXJJ- Heater Kit Nominal KW	No. of Sequence Steps	Heater Kit			Air Conditioner			Heater Kit			Air Conditioner		
			Rated Heater kW @ 208/240V	Heater kBTU/Hr @ 208/240V	Heater Amps @ 208/240V	Unit Min. Ckt. Ampacity @ 208/240V	Over Current Protective Device Size Min./Max. 208V	Over Current Protective Device Size Min./Max. 240V	Min. Ckt. Ampacity 208/240V	Max. Fuse Size 208/240V	Min. Circuit Ampacity 208/240V	Over Current Protective Device Size Min./Max. 208V	Over Current Protective Device Size Min./Max. 240V	
C241CL	No Heat	—	—	—	—	95/95	110/110	110/110	—	—	95/95	110/110	110/110	
	CE20C	14.4/19.2	49.13/65.5	40/46.2	95/95	110/110	110/110	50/58	50/60	95/95	110/110	110/110		
	CE40C	28.8/38.3	98.25/130.66	79.9/92.2	119/134	125/125	150/150	100/116	100/125	95/95	110/110	110/110		
	CE60C	43.2/57.5	147.38/196.16	119.9/138.3	169/192	175/175	200/200	150/173	150/175	95/95	110/110	110/110		
	CE75C	54/71.9	184.22/245.29	149.8/172.8	206/235	225/225	250/250	188/217	200/225	95/95	110/110	110/110		
C241CM	No Heat	—	—	—	—	103/103	125/125	125/125	—	—	103/103	125/125	125/125	
	CE20C	14.4/19.2	49.13/65.5	40/46.2	103/103	125/125	125/125	50/58	50/60	103/103	125/125	125/125		
	CE40C	28.8/38.3	98.25/130.66	79.9/92.2	129/145	150/150	150/150	100/116	100/125	103/103	125/125	125/125		
	CE60C	43.2/57.5	147.38/196.16	119.9/138.3	179/202	200/200	225/225	150/173	150/175	103/103	125/125	125/125		
	CE75C	54/71.9	184.22/245.29	149.8/172.8	217/245	225/225	250/250	188/217	200/225	103/103	125/125	125/125		

480 VOLT, THREE PHASE, 60 HZ, AUXILIARY ELECTRIC HEATER KITS CHARACTERISTICS AND APPLICATION																					
Separate Power Supply for Both Unit and Heater Kit																					
Single Power Supply for Both Unit and Heater Kit																					
Model No. RLRL-	RXJJ-Heater Kit Nominal kW	No. of Sequence Steps	Heater Kit				Air Conditioner				Heater Kit		Air Conditioner								
			Rated Heater kW @ 480V	Heater kBTU/Hr @ 480V	Heater Amps @ 480V	Unit Min. Ckt. Ampacity @ 480V	Over Current Protective Device Size Min./Max. 480V	Min. Ckt. Ampacity 480V	Max. Fuse Size 480V	Min. Circuit Ampacity 480V	Over Current Protective Device Size Min./Max. 480V										
C241DL	No Heat	—	—	—	—	49	60/60	—	—	—	—	—	—	—	—	—	—	—	—	—	—
	CE20D	1	19.2	65.5	—	49	60/60	23.1	49	60/60	29	30	—	—	—	—	—	—	—	—	—
	CE40D	2	38.4	131	—	67	70/70	46.2	67	70/70	58	60	—	—	—	—	—	—	—	—	—
	CE60D	2	57.6	196.5	—	95	100/100	69.3	95	100/100	87	90	—	—	—	—	—	—	—	—	—
C241DM	CE75D	2	72	245.63	—	117	125/125	86.6	117	125/125	109	110	—	—	—	—	—	—	—	—	—
	No Heat	—	—	—	—	52	60/60	—	52	60/60	—	—	—	—	—	—	—	—	—	—	—
	CE20D	1	19.2	65.5	—	52	60/60	23.1	52	60/60	29	30	—	—	—	—	—	—	—	—	—
	CE40D	2	38.4	131	—	70	70/70	46.2	70	70/70	58	60	—	—	—	—	—	—	—	—	—
C241DM	CE60D	2	57.6	196.5	—	99	100/100	69.3	99	100/100	87	90	—	—	—	—	—	—	—	—	—
	CE75D	2	72	245.63	—	121	125/125	86.6	121	125/125	109	110	—	—	—	—	—	—	—	—	—

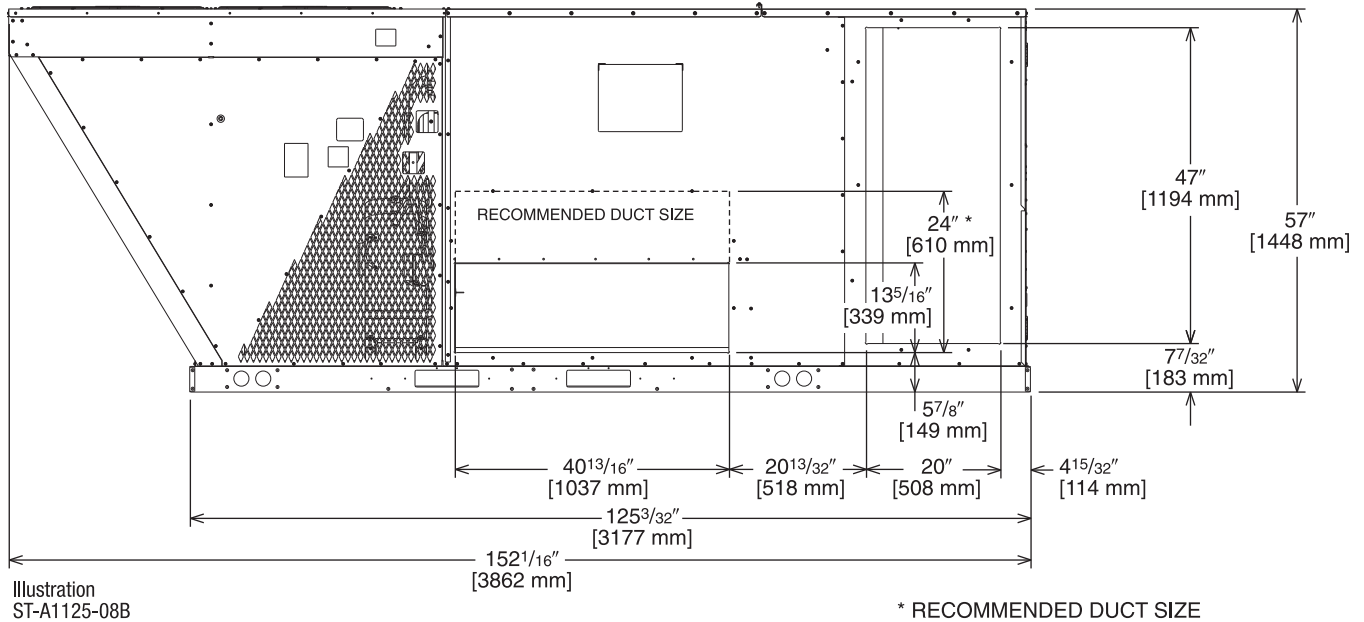
600 VOLT, THREE PHASE, 60 HZ, AUXILIARY ELECTRIC HEATER KITS CHARACTERISTICS AND APPLICATION												
Separate Power Supply for Both Unit and Heater Kit												
Single Power Supply for Both Unit and Heater Kit						Heater Kit						Air Conditioner
Model No. RLRL-	RXJJ-Heater Kit Nominal kW	No. of Sequence Steps	Rated Heater kW @ 600V	Heater kBTU/Hr @ 600V	Heater Amps @ 600V	Unit Min. Ckt. Ampacity @ 600V	Over Current Protective Device Size 600V		Min. Ckt. Ampacity 600V	Max. Fuse Size 600V	Min. Circuit Ampacity 600V	Over Current Protective Device Size Min./Max. 600V
							Min./Max. 600V	Min./Max. 600V				
C241YL	No Heat	—	—	—	—	37	40/45	—	—	37	—	40/45
	CE20Y	1	19.2	65.5	18.5	37	40/45	24	25	—	—	—
	CE40Y	2	38.4	131	37	53	60/60	47	50	—	—	—
	CE60Y	2	57.6	196.5	55.4	76	80/80	70	70	—	—	—
	CE75Y	2	72	245.63	69.3	94	100/100	87	90	—	—	—
C241YM	No Heat	—	—	—	—	39	45/50	—	—	39	—	45/50
	CE20Y	1	19.2	65.5	18.5	39	45/50	24	25	—	—	—
	CE40Y	2	38.4	131	37	57	60/60	47	50	—	—	—
	CE60Y	2	57.6	196.5	55.4	80	80/80	70	70	—	—	—
	CE75Y	2	72	245.63	69.3	97	100/100	87	90	—	—	—



[] Designates Metric Conversions

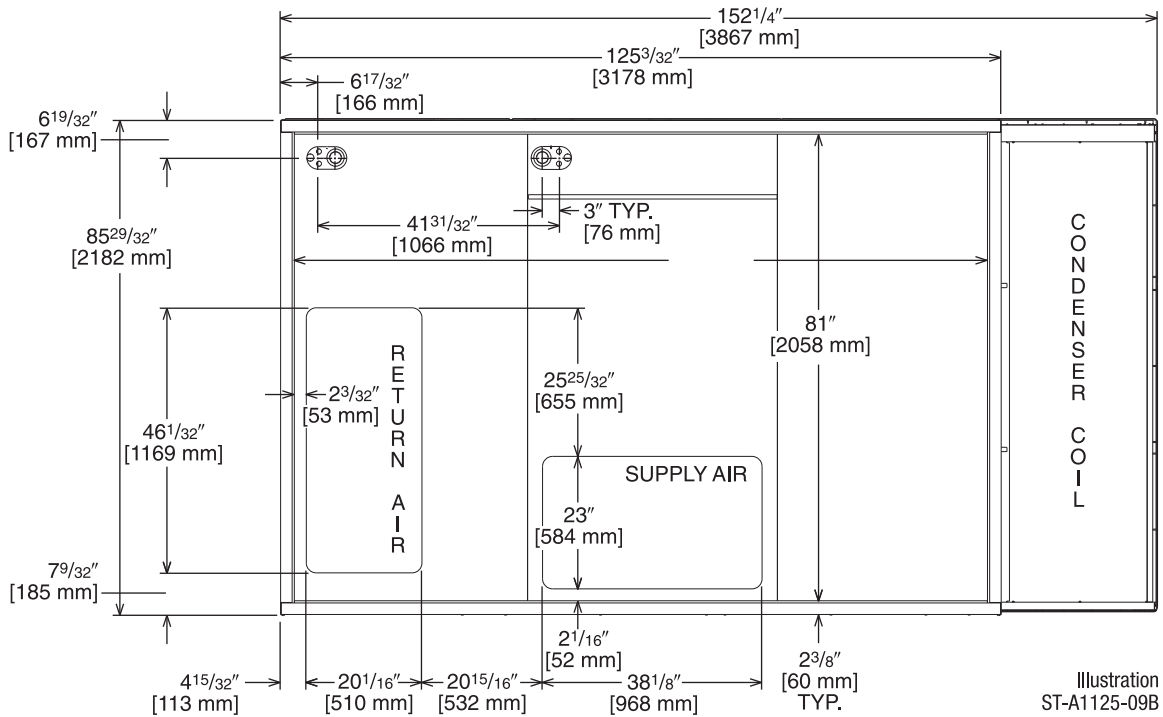
Illustration ST-A1125-02B

SUPPLY AND RETURN DIMENSIONS FOR HORIZONTAL APPLICATIONS



DUCT SIDE VIEW (REAR)

SUPPLY AND RETURN DIMENSIONS FOR DOWNFLOW APPLICATIONS



BOTTOM VIEW

[] Designates Metric Conversions

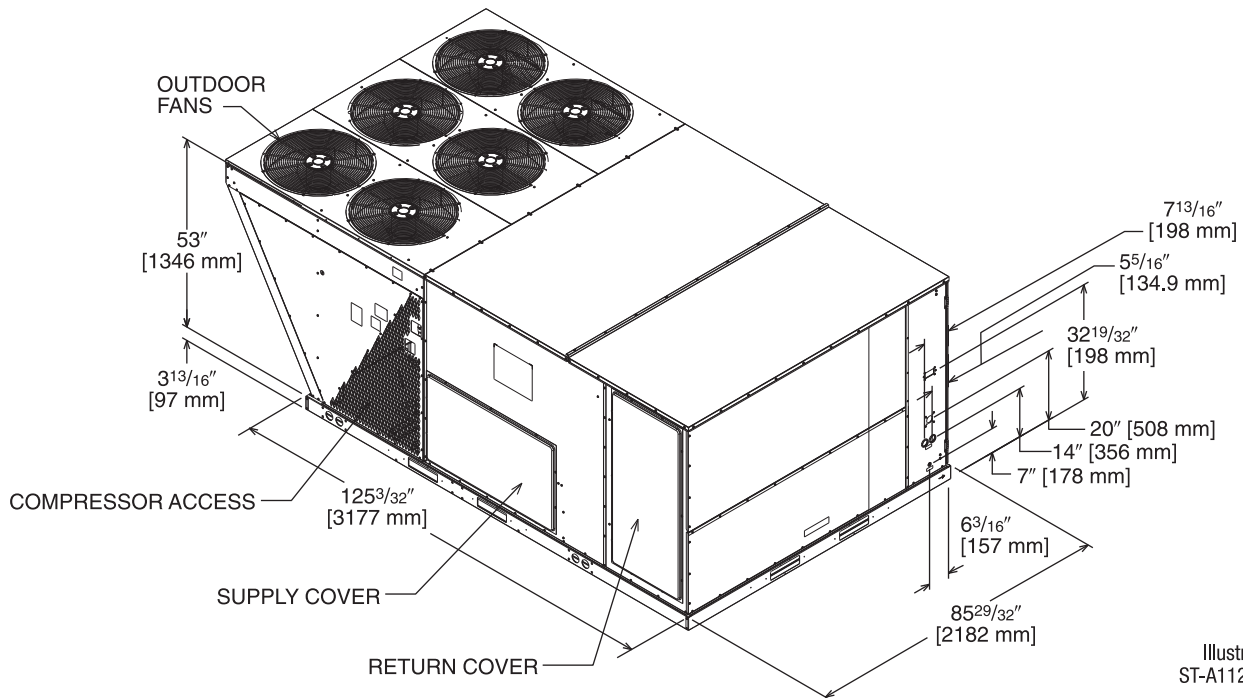
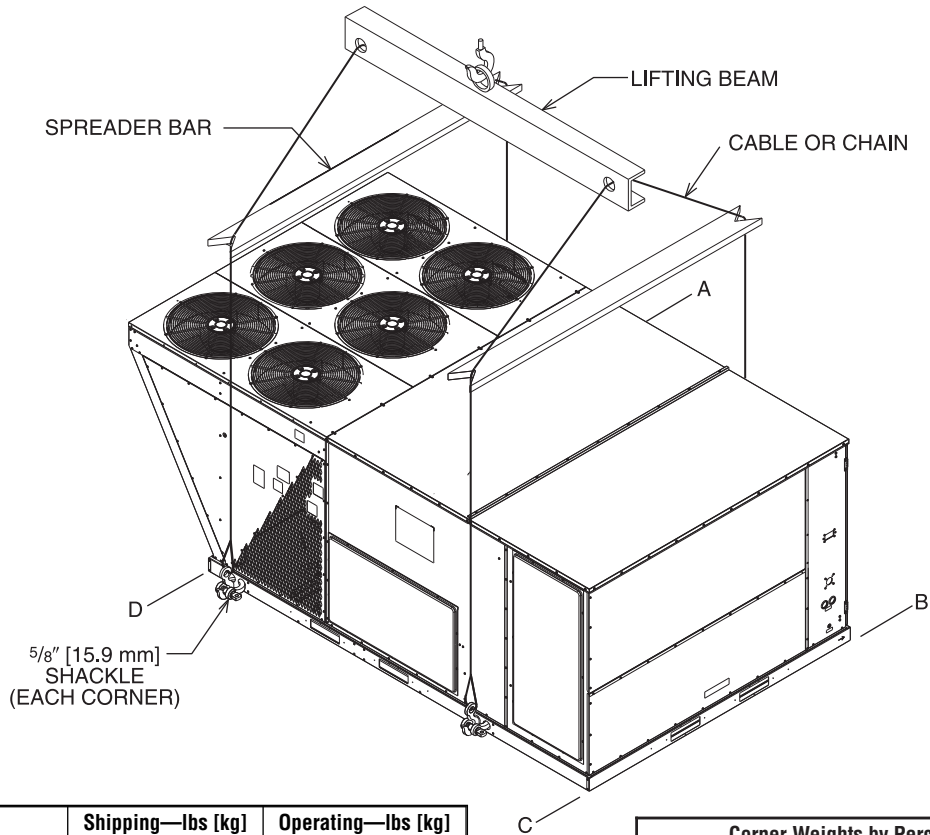


Illustration
ST-A1125-03



WEIGHTS*

Accessory	Shipping—lbs [kg]	Operating—lbs [kg]
Downflow Economizer w/Single Enthalpy	324 [149.6]	184 [83.4]
Downflow Economizer w/Smoke Detector	328 [148.7]	188 [85.2]
Horizontal Economizer w/Single Enthalpy	367 [166.4]	258 [117.0]
Power Exhaust	119 [54.0]	59 [26.8]
Manual Fresh Air Damper**	61 [27.7]	52 [23.6]
Motor Kit for Fresh Air Damper**	42 [19.1]	35 [15.9]
Roof Curb 14"	184 [83.5]	176 [79.8]

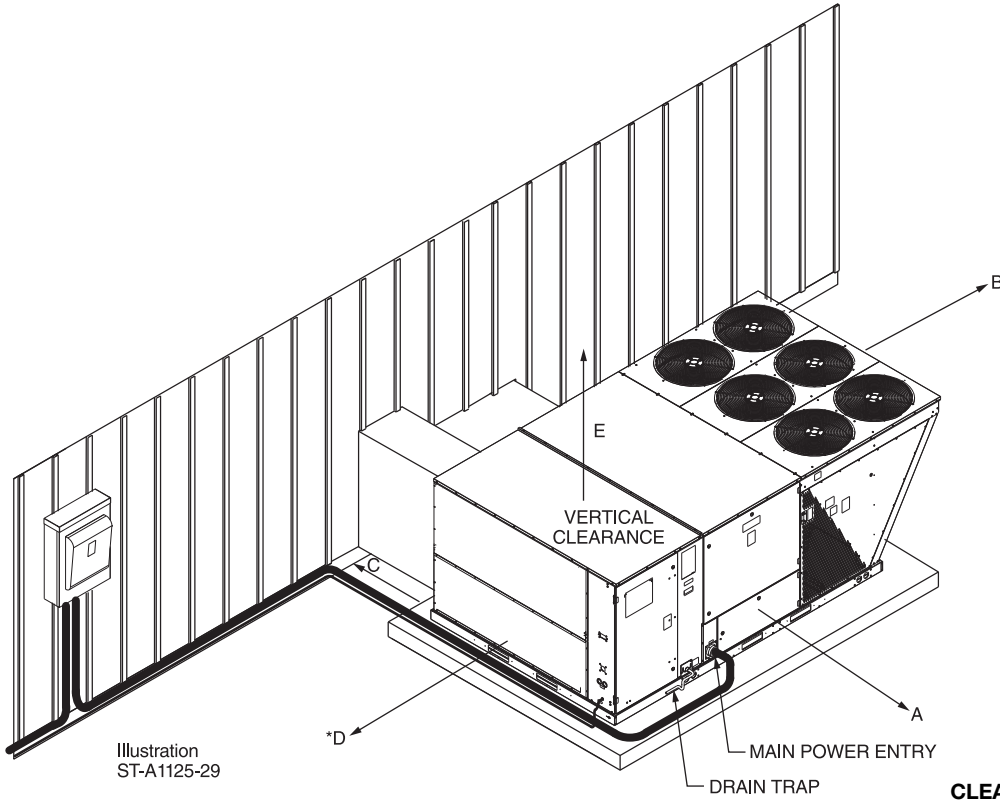
NOTES: *Include options from accessory table page to obtain total unit weight.

**Motorized Kit and Manual Fresh Air Damper must be combined for a complete Motorized Outside Air Damper Selection

Corner Weights by Percentage			
A	B	C	D
32%	27%	16%	24%

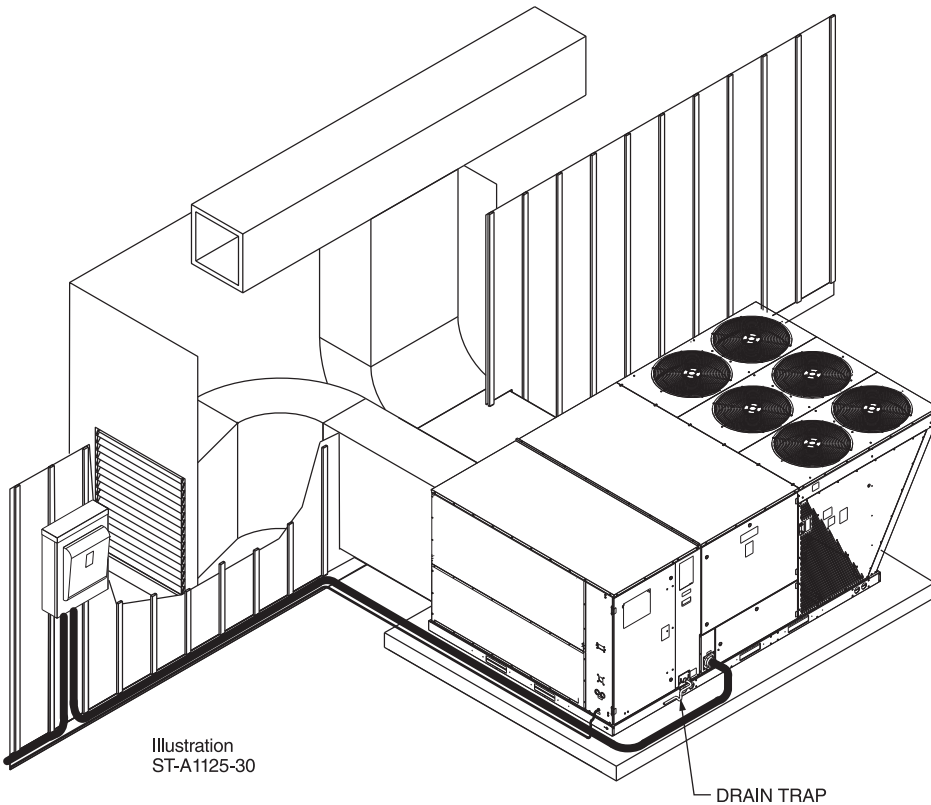
*Note: Corner weights measured at base of unit.

[] Designates Metric Conversions



CLEARANCES

The following minimum clearances are recommended for proper unit performance and serviceability.



Recommended Clearance In. [mm]	Location
80 [2032]	A - Front
18 [457]	B - Condenser Coil
18 [457]	+C - Duct Side
18 [457]	*D - Evaporator End
60 [1524]	E - Above
*Without Economizer 18" [457 mm]. With Economizer 48" [1219 mm]. + Without Horizontal Economizer 18" [457 mm]. With Horizontal Economizer 42" [1067 mm].	

[] Designates Metric Conversions

FIELD INSTALLED ACCESSORY EQUIPMENT–SELF CONTAINED AIR CONDITIONER

Accessory Description	Model Number	Shipping Weight Lbs. [kg]	Installed Weight Lbs. [kg]	Factory Installation Available?
Electric Heaters	RXJJ-CE20 (C,D,Y)	41 [18.6]	31 [14.1]	Yes
	RXJJ-CE40 (C,D,Y)	44 [20.0]	34 [15.4]	Yes
	RXJJ-CE60 (C,D,Y)	45 [20.4]	35 [15.9]	Yes
	RXJJ-CE75 (C,D,Y)	46 [20.9]	36 [16.3]	Yes
Downflow Economizer w/ Single Enthalpy	AXRD-01RGDAM3	324 [149.6]	184 [83.4]	Yes
Downflow Economizer w/ Smoke Detector	AXRD-01RGDBM3	328 [148.7]	188 [85.2]	Yes
Dual Enthalpy Kit	RXXR-AV04	1 [0.5]	0.5 [0.2]	No
Horizontal Economizer w/ Single Enthalpy	AXRD-01RGHAM3	367 [166.4]	258 [117.0]	No
Carbon Dioxide Sensor (Wall Mount)	RXXR-AR02	3 [1.4]	2 [0.9]	No
Power Exhaust (208/230V)	RXXR-BGF05C	119 [54.0]	59 [26.8]	No
Power Exhaust (460V)	RXXR-BGF05D	119 [54.0]	59 [26.8]	No
Power Exhaust (575V)	RXXR-BGF05Y	119 [54.0]	59 [26.8]	No
Manual Fresh Air Damper*	AXRF-KFA1	61 [27.7]	52 [23.6]	No
Motorized Kit for Manual Fresh Air Damper*	RXXR-AW03	42 [19.1]	35 [15.9]	No
Roofcurb, 14"	RXKG-CBH14	184 [83.5]	176 [79.8]	No
Roofcurb Adapter to RXRK-E56	RXXR-CJCE56	465 [210.9]	415 [188.2]	No
Roofcurb Adapter to RXKG-CAF14	RXXR-CJCF14	555 [251.7]	505 [229.1]	No
Concentric Diffuser (Step-Down 18" x 36")	RXRN-AD81	310 [140.6]	157 [71.2]	No
Concentric Diffuser (Step-Down 24" x 48")	RXRN-AD86	367 [166.5]	212 [96.2]	No
Concentric Diffuser (Step-Down 28" x 60")	RXRN-AD88	410 [186.0]	370 [167.8]	No
Concentric Diffuser (Flush, 18" x 36")	RXRN-AD80	213 [96.6]	115 [52.2]	No
Downflow Transition (Rect. To Rect. 18" x 36")	RXMC-CJ07 ¹	81 [36.7]	74 [33.6]	No
Downflow Transition (Rect. To Rect. 24" x 48")	RXMC-CK08 ²	81 [36.7]	74 [33.6]	No
Downflow Transition (Rect. To Rect. 28" x 60")	RXMC-CL09 ³	81 [36.7]	74 [33.6]	No
Compressor Time-Delay Relay Kit	RXMD-A04	2 [0.9]	1 [0.5]	No
Low-Ambient Control Kit (1 Per Compressor)	RXRZ-C02	3 [1.4]	2 [0.9]	Yes
Freeze Stat	RXXR-AM03	1 [0.5]	0.5 [0.2]	Yes
Non-Powered Convenience Outlet	RXXR-AN01	2 [0.9]	1.5 [0.7]	Yes
Hail Guard Louvers	AXRX-AAD01L	55 [24.8]	45 [20.3]	Yes

*NOTES: *Motorized Kit and Manual Fresh Air Damper must be combined for a complete Motorized Outside Air Damper Selection

¹ Used with RXRN-AD81 and RXRN-AD80 concentric diffusers

² Used with RXRN-AD86 concentric diffusers

³ Used with RXRN-AD88 concentric diffusers

[] Designates Metric Conversions

ECONOMIZERS—DOWNFLOW ONLY

Use to Select Field Installed Options Only

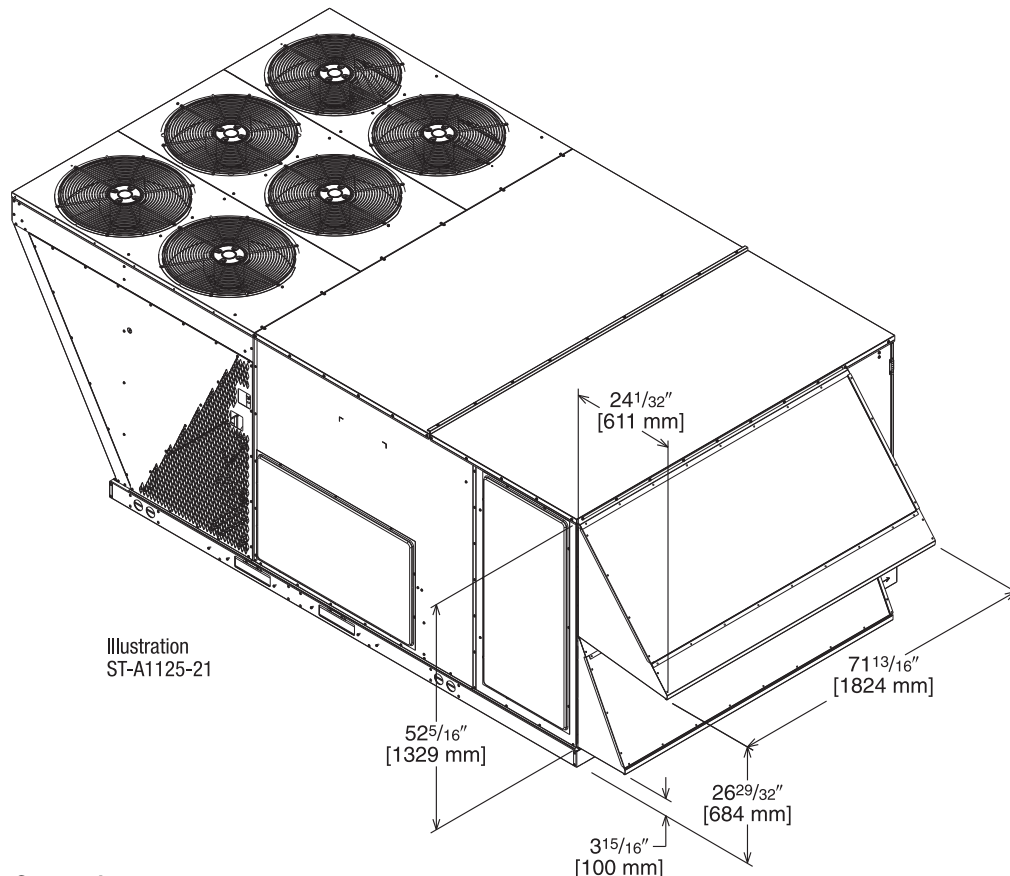
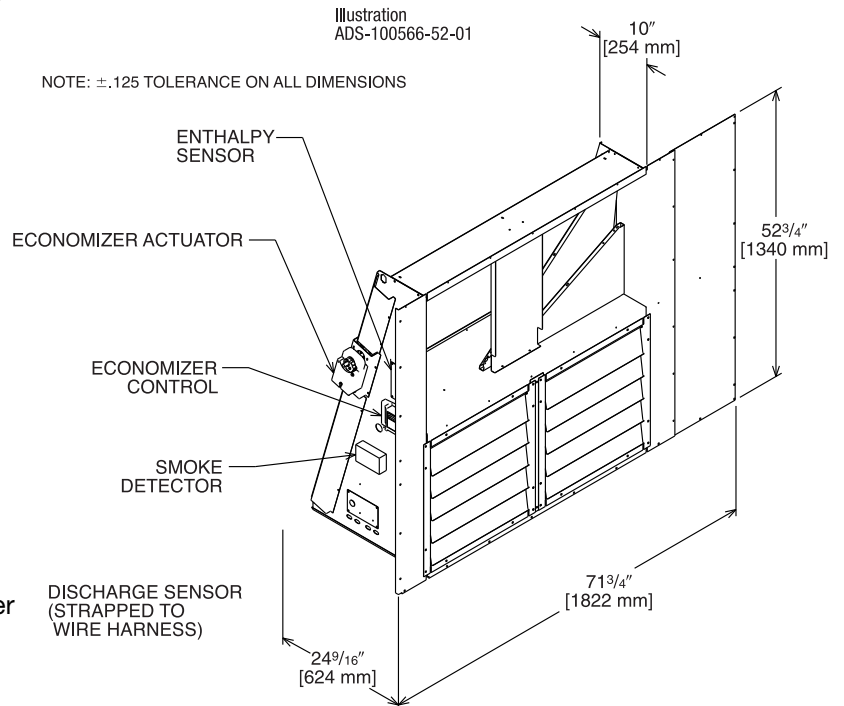
AXRD-01RGDAM3—Single Enthalpy (Outdoor)

AXRD-01RGDBM3—Single Enthalpy (Outdoor) w/Smoke Detector

RXR-AR02—Optional Wall-Mounted CO₂ Sensor

RXR-AV04—Dual Enthalpy Upgrade Kit

- Features **Honeywell JADE™** Digital Controls
- Available Factory Installed or Field Accessory
- Gear Driven Direct Drive Actuator
- Fully Modulating (0-100%)
- Ultra Low Leak Dampers meet California Title 24 requirements
- Slip-In Design for Easy Installation
- Plug-In Polarized 12-pin Electrical Connections
- Pre-Configured—No Field Adjustments Necessary
- Standard Barometric Relief Damper
- Single Enthalpy with Dual Enthalpy Upgrade Kit Available
- CO₂ Input Sensor Available
- Field Assembled Hood Ships with Economizer
- Economizer Ships Complete for Downflow Duct Application.
- Optional Remote Minimum Position Potentiometer (Honeywell #S963B1128) is Available from Prostock.
- Field Installed Power Exhaust Available



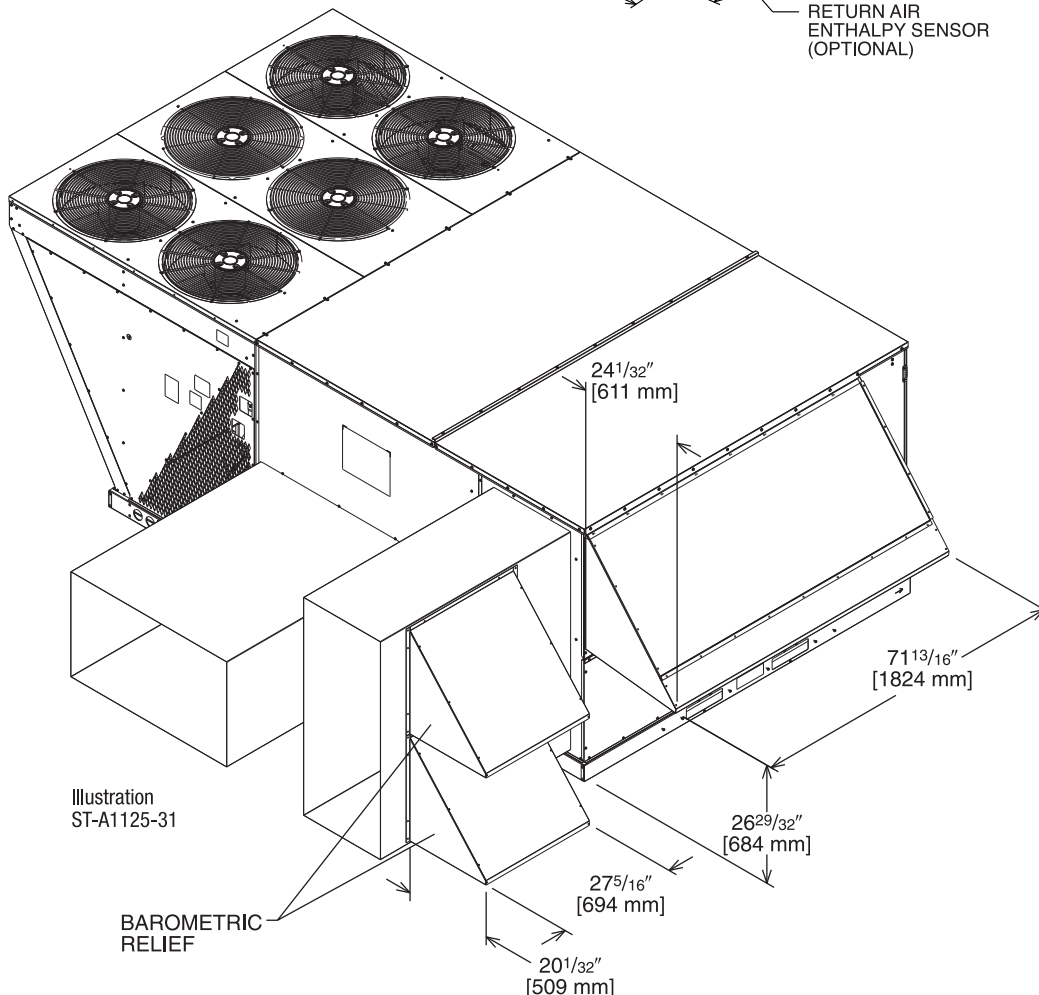
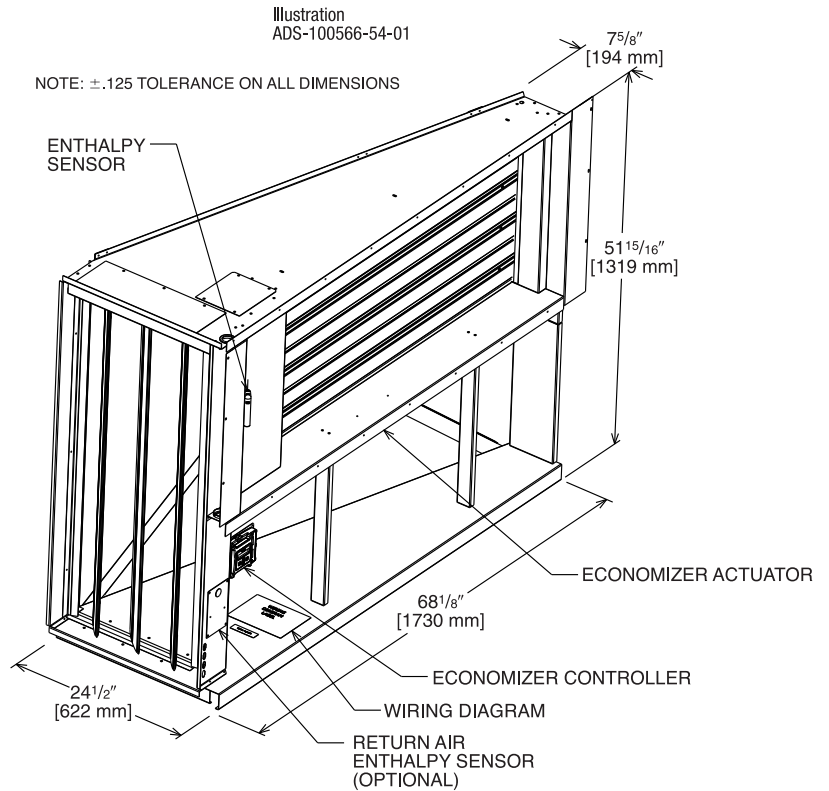
[] Designates Metric Conversions

ECONOMIZER FOR HORIZONTAL DUCT INSTALLATION

Field Installed Only

- AXRD-01RGHAM3—Single Enthalpy (Outdoor)**
- RXXR-AV04—Dual Enthalpy Upgrade Kit**
- RXXR-AR02—Optional Wall-Mounted CO₂ Sensor**

- Features **Honeywell JADE™** Digital Controls
- Available as a Field Installed Accessory Only
- Gear Driven Direct Drive Actuator
- Fully Modulating (0-100%)
- Ultra Low Leak Dampers meet California Title 24 requirements
- Slip-In Design for Easy Installation
- Plug-In Polarized 12-pin Electrical Connections
- Pre-Configured—No Field Adjustments Necessary
- Standard Barometric Relief Damper
- Single Enthalpy with Dual Enthalpy Upgrade Kit Available
- CO₂ Input Sensor Available
- Field Assembled Hood Ships with Economizer
- Economizer Ships Complete for Horizontal Duct Application
- Field Installed Power Exhaust Available

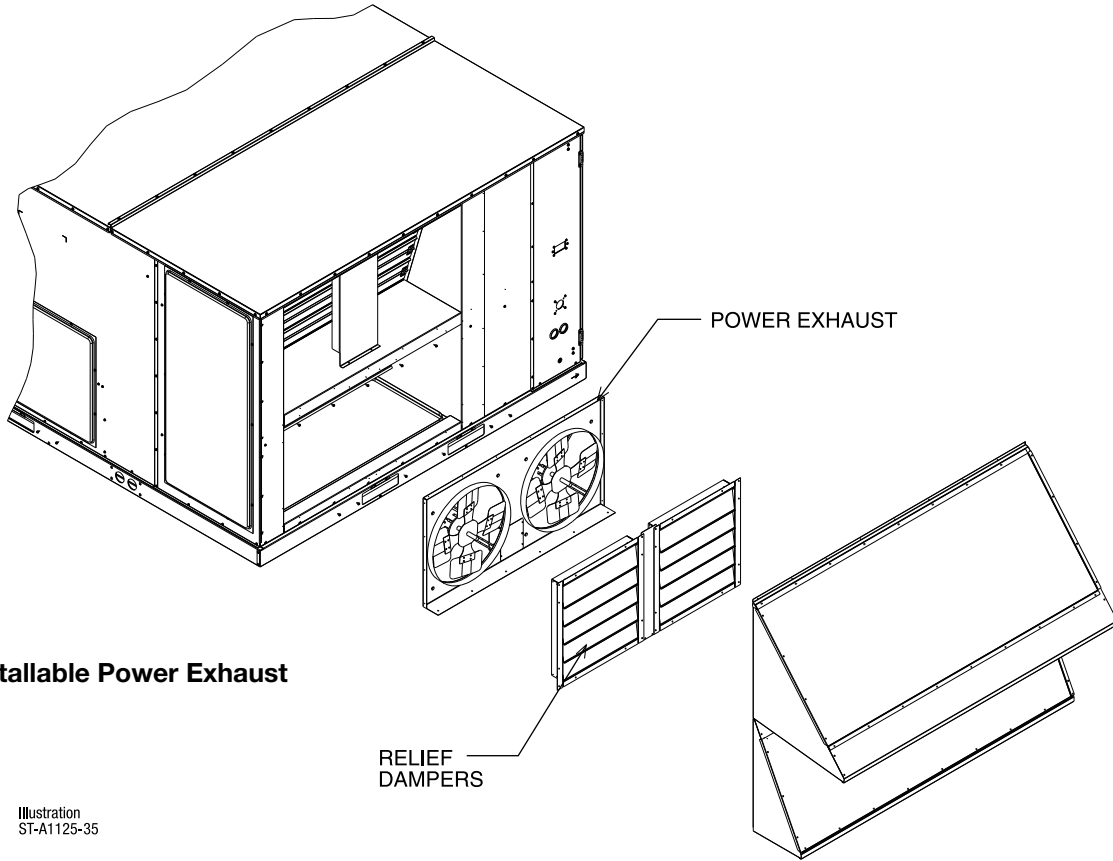


[] Designates Metric Conversions

INTEGRAL POWER EXHAUST KIT FOR AXRD-01RGDAM3 OR AXRD-01RGDBM3 ECONOMIZERS

(C, D, or Y*)

*Voltage Code



Field Installable Power Exhaust

Illustration
ST-A1125-35

Model No.	No. of Fans	Volts	Phase	HP (ea.)	Low Speed		High Speed ①		FLA (ea.)	LRA (ea.)
					CFM [L/s] ②	RPM	CFM [L/s] ②	RPM		
RXXR-BGF05C	2	208-230	1	0.75	4100 [1935]	850	5200 [2454]	1050	5	4.97
RXXR-BGF05D	2	460	1	0.75	4100 [1935]	850	5200 [2454]	1050	2.2	3.4
RXXR-BGF05Y	2	575	1	0.75	4100 [1935]	850	5200 [2454]	1050	1.5	2.84

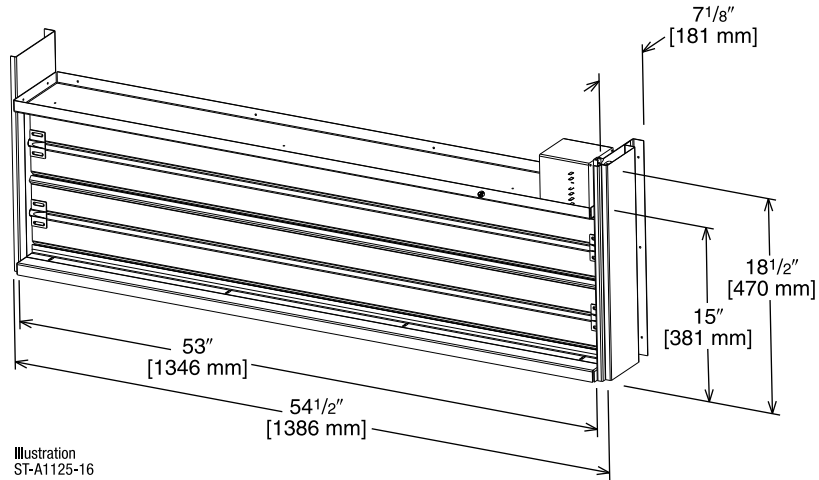
NOTES: ① Power exhaust is factory set on high speed motor tap.

② CFM is per fan at 0" w.c. external static pressure.

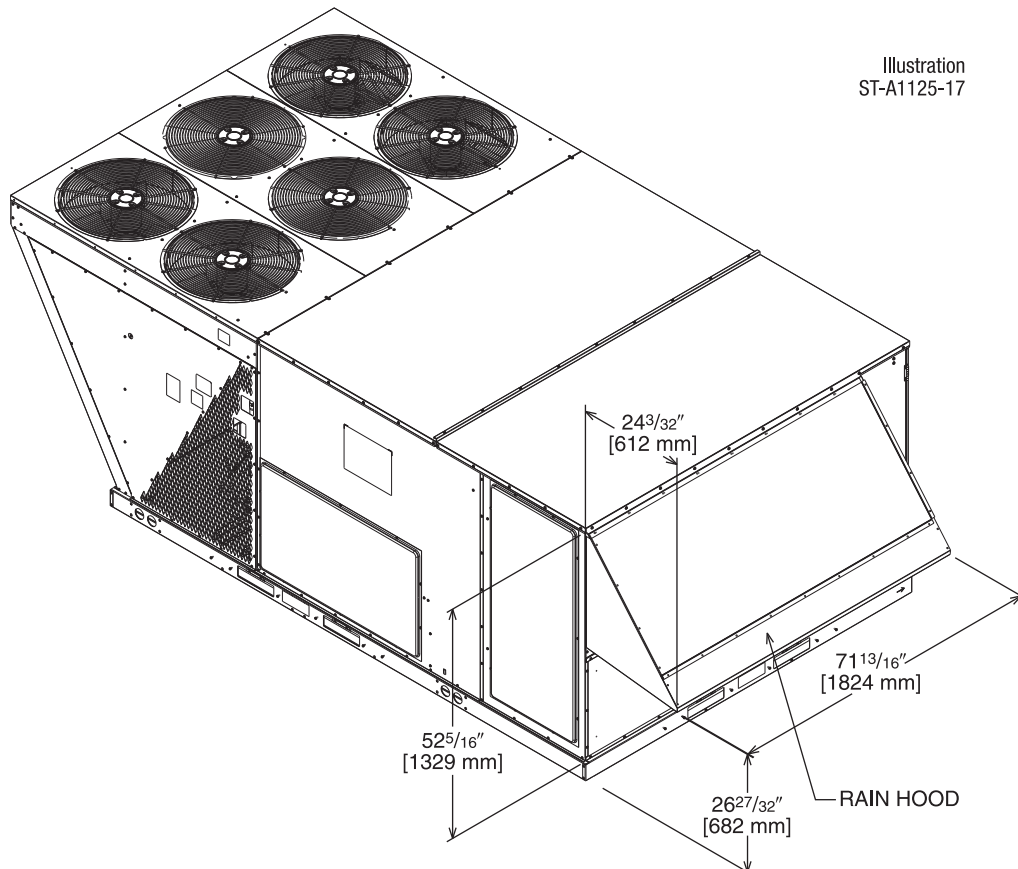
[] Designates Metric Conversions

FRESH AIR DAMPER

MOTORIZED DAMPER KIT
RXRX-AW03
(Motor Kit for RXRF-KFA1)



AXRF-KFA1 (Manual)
RXRX-AW03 (Motorized damper kit for manual fresh air damper)

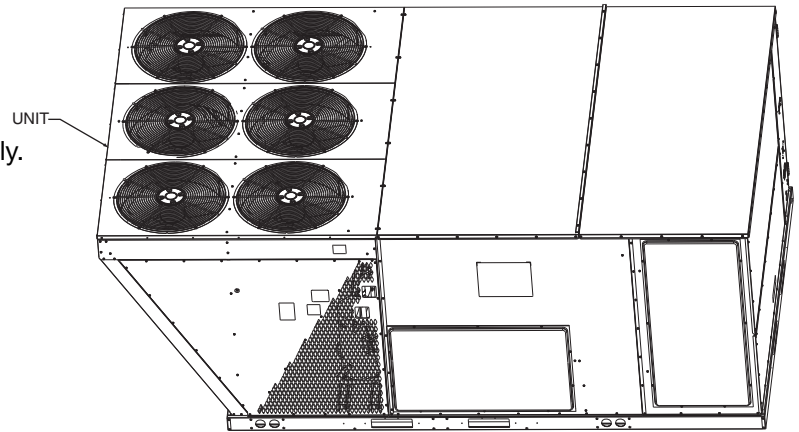


[] Designates Metric Conversions

ROOFCURBS (Full Perimeter)

- Rheem's roofcurb design can be utilized on 15 and 20 ton [52.8 and 70.3 kW] models.
- One available height (14" [356 mm]).
- Quick assembly corners for simple and fast assembly.
- 1" [25.4 mm] x 4" [102 mm] Nailers provided.
- Insulating panels not required because of insulated outdoor base pan.
- Sealing gasket (28" [711 mm]) provided with Roofcurb.
- Packaged for easy field assembly.

TYPICAL INSTALLATION



ROOFCURB ASSEMBLY

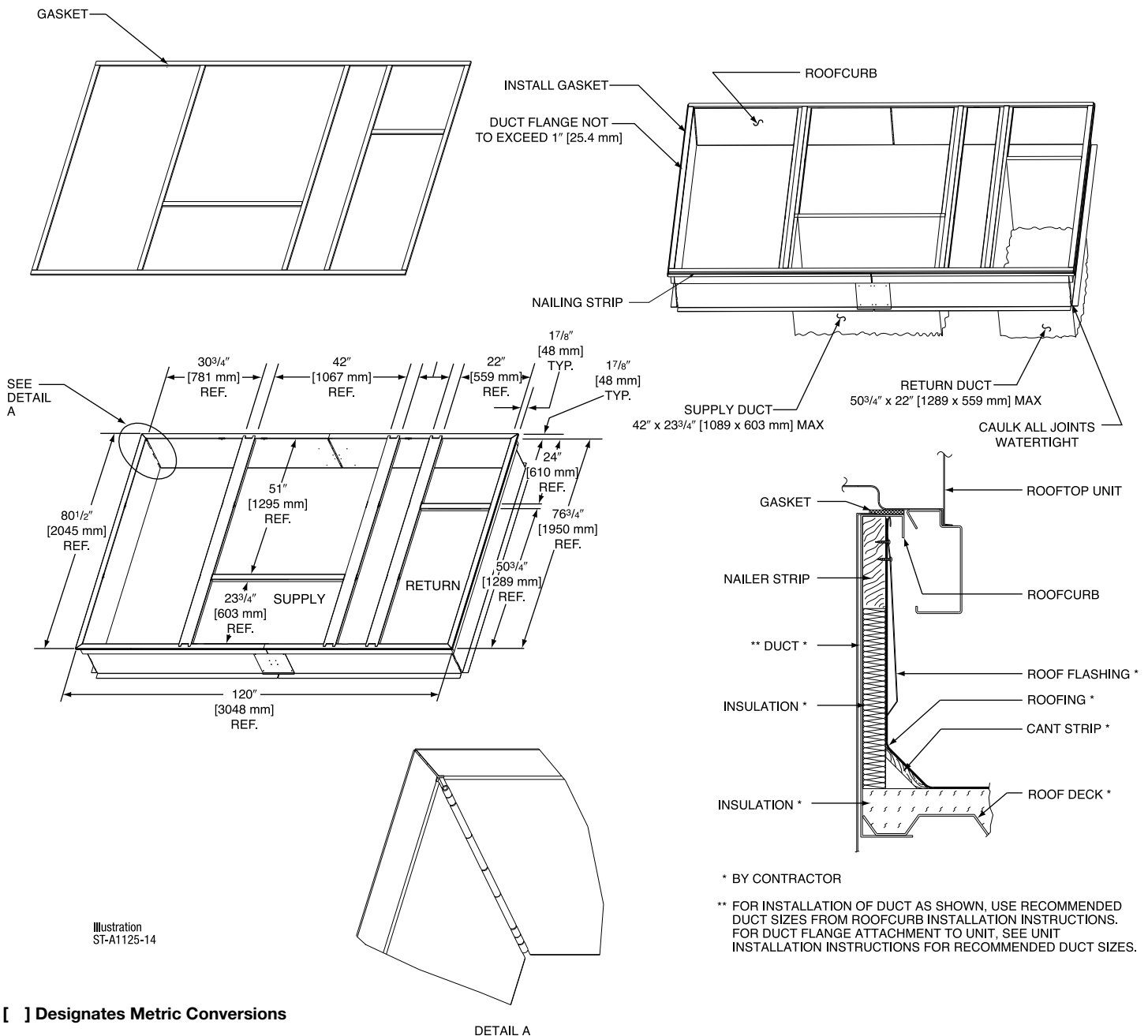


Illustration
ST-A1125-14

DETAIL A

[] Designates Metric Conversions

ROOFCURB ADAPTERS

OLD MODELS
COMMERCIAL CABINET
(15 & 20 TON)
([52.8 & 70.3 kW])
(-)RGF, (-)REF

OLD CURB MODEL

RXRK-E56

ROOFCURB ADAPTER

RXRK-CJCE56

NEW MODEL

(-)LNL
(15 & 20 TON)
([52.8 & 70.3 kW])

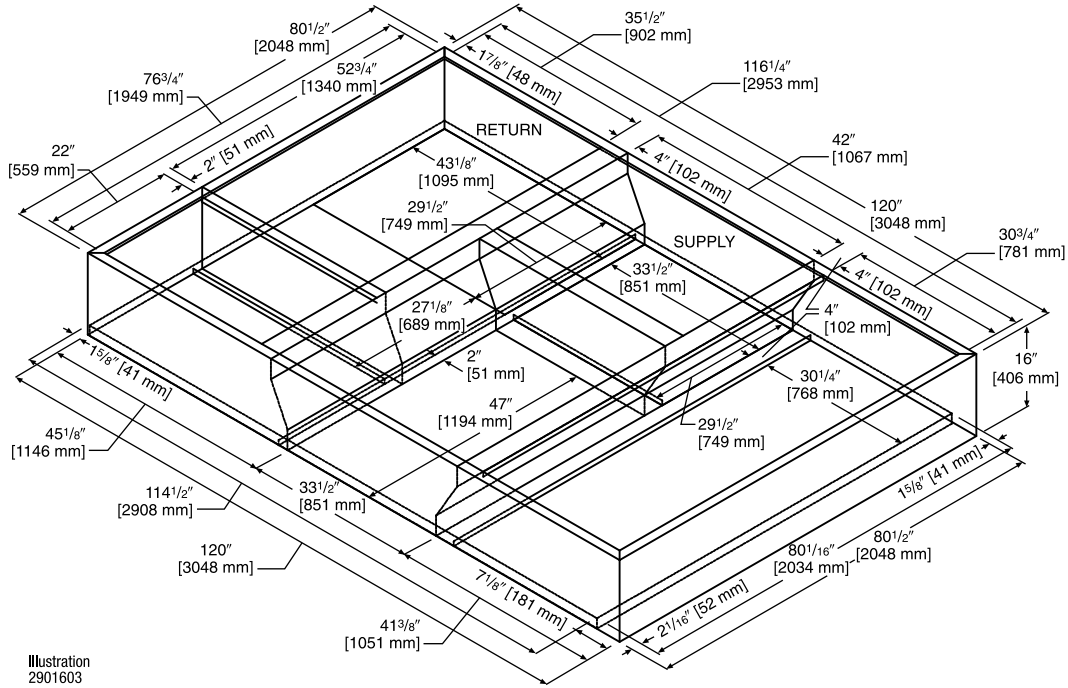


Illustration
2901603

COMMERCIAL CABINET
(15 & 20 TON)
([52.8 & 70.3 kW])
(-)LKB, LMB

RXKG-CAF14

RXRK-CJCF14

(-)LNL
(15 & 20 TON)
([52.8 & 70.3 kW])

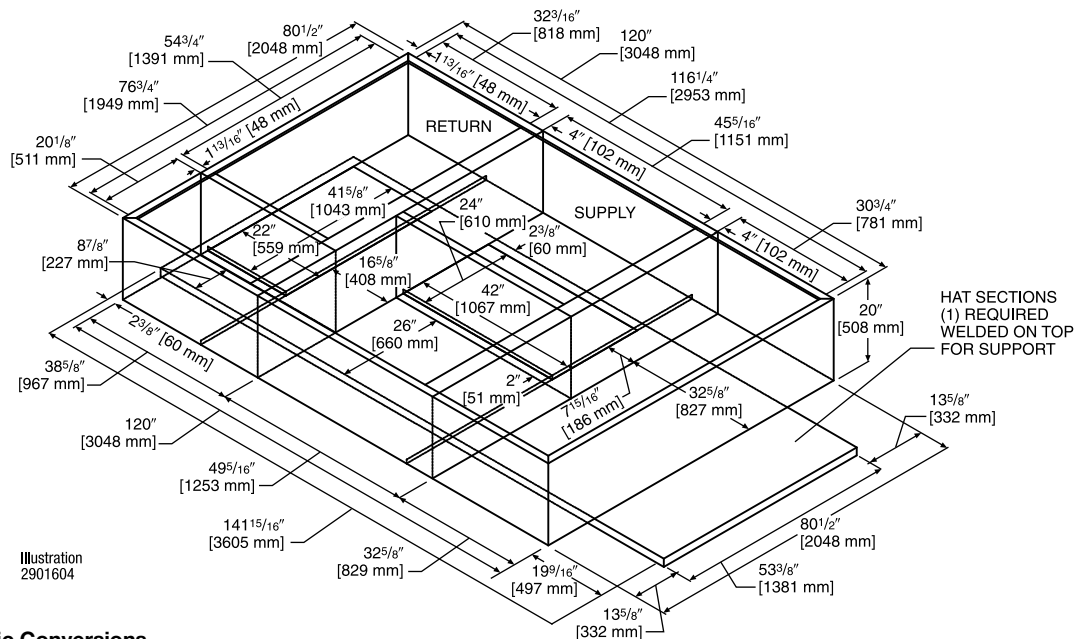


Illustration
2901604

[] Designates Metric Conversions

CONCENTRIC DIFFUSER APPLICATION

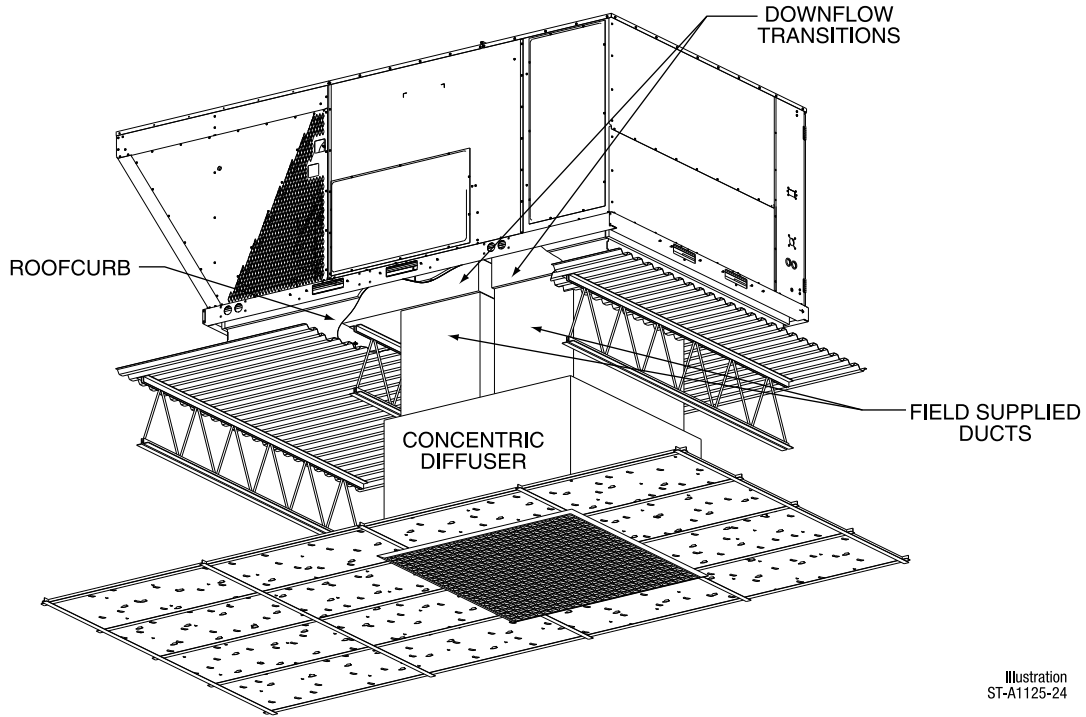


Illustration
ST-A1125-24

DOWNFLOW TRANSITION DRAWINGS

RXMC-CJ07 (15 Ton) [52.8 kW]

- Used with RXRN-AD80 and RXRN-AD81 Concentric Diffusers.

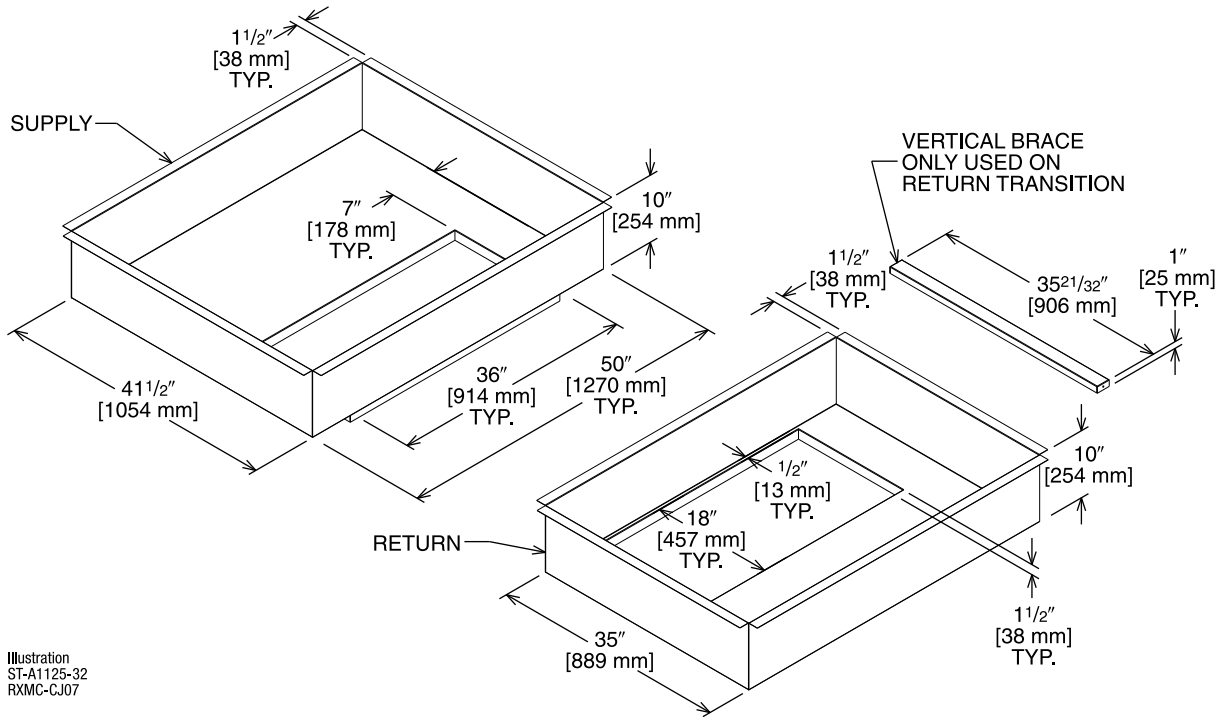


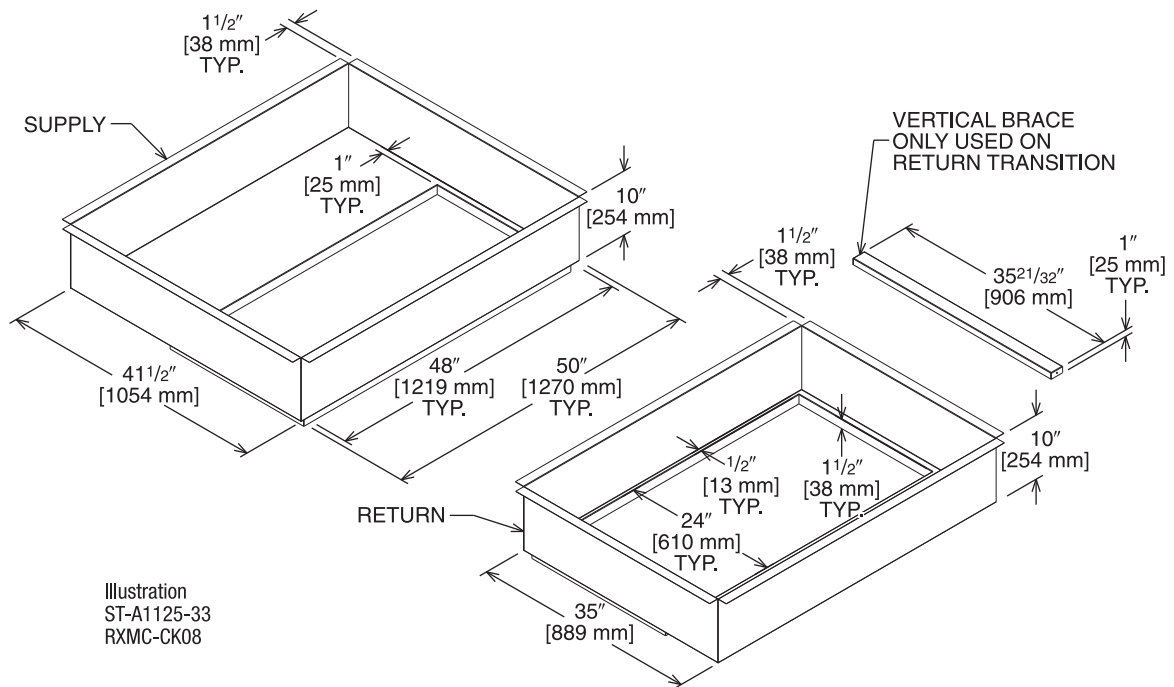
Illustration
ST-A1125-32
RXMC-CJ07

[] Designates Metric Conversions

DOWNFLOW TRANSITION DRAWINGS (Cont.)

RXMC-CK08 (20 Ton) [70.3 kW]

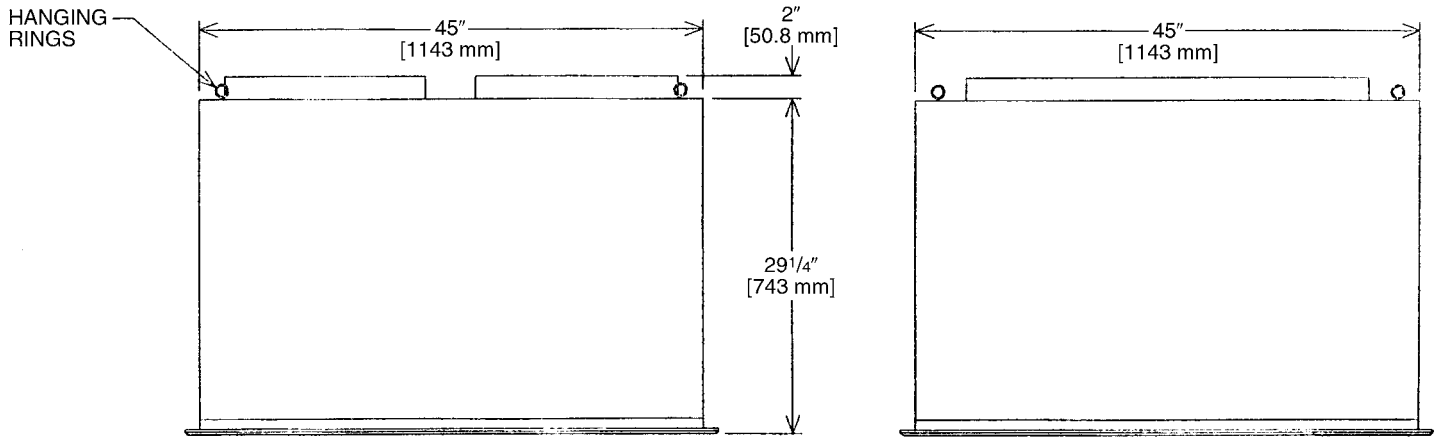
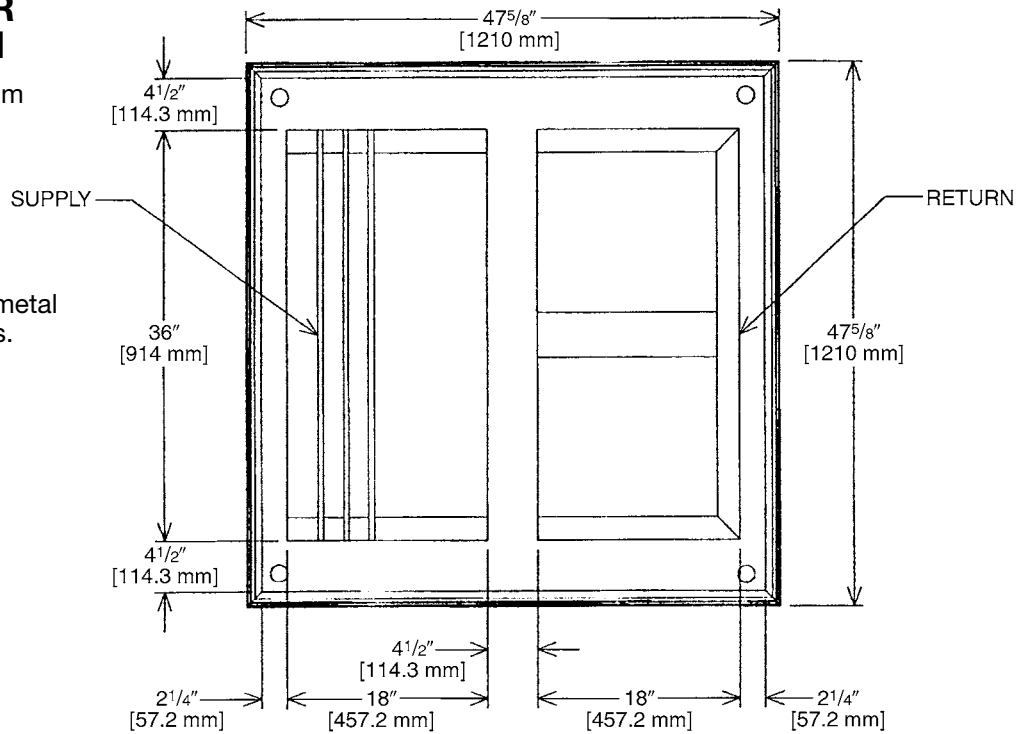
- Used with RXRN-AD86 Concentric Diffusers.



[] Designates Metric Conversions

CONCENTRIC DIFFUSER 15 TON [52.8 kW] FLUSH

- All aluminum diffuser with aluminum return air eggcrate.
- Built-in anti-sweat gasket.
- Molded fiberglass supports.
- Built-in hanging supports.
- Diffuser box constructed of sheetmetal insulated with 1" [25.4 mm] 1.5 lbs. [.7 kg] duct liner.



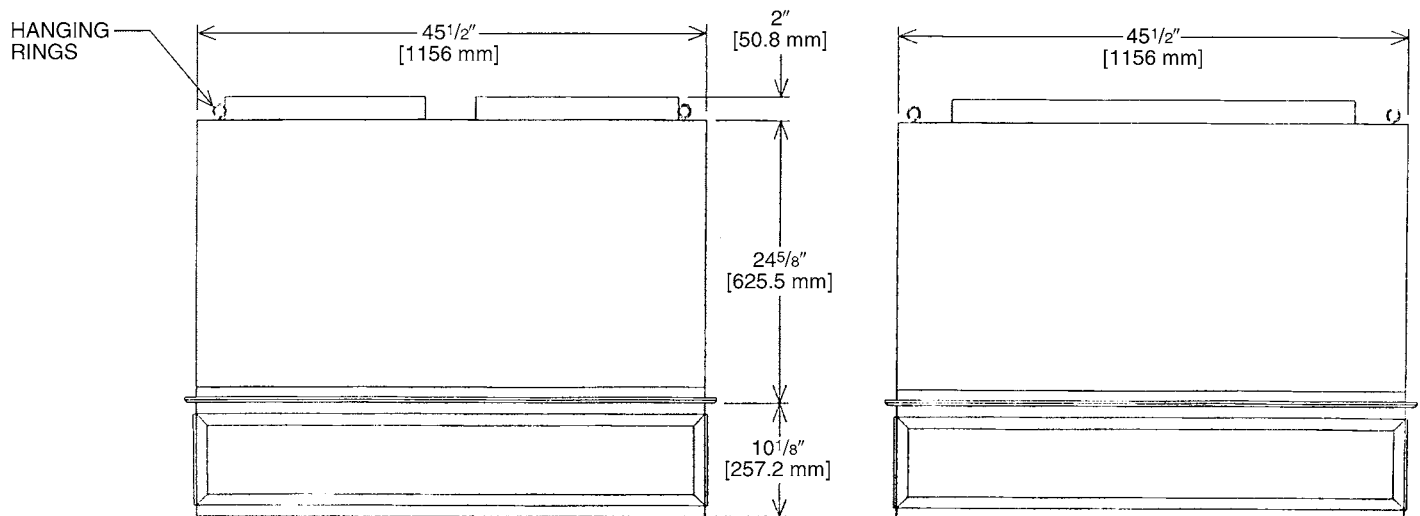
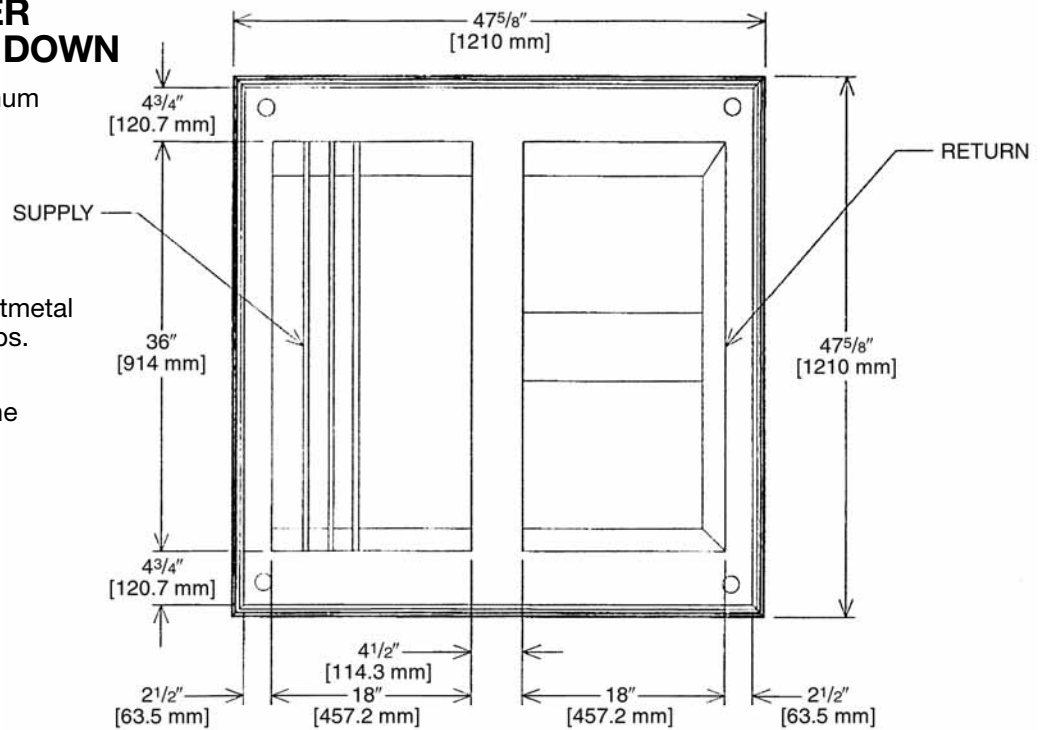
CONCENTRIC DIFFUSER SPECIFICATIONS

PART NUMBER	CFM [L/s]	STATIC PRESSURE	THROW FEET	NECK VELOCITY	JET VELOCITY
RXRN-AD80	5600 [2643]	0.36	28-37	1000	2082
	5800 [2737]	0.39	29-38	1036	2156
	6000 [2832]	0.42	40-50	1071	2230
	6200 [2926]	0.46	42-51	1107	2308
	6400 [3020]	0.50	43-52	1143	2379
	6600 [3115]	0.54	45-56	1179	2454

[] Designates Metric Conversions

CONCENTRIC DIFFUSER 15 TON [52.8 kW] STEP DOWN

- All aluminum diffuser with aluminum return air eggcrate.
- Built-in anti-sweat gasket.
- Molded fiberglass supports.
- Built-in hanging supports.
- Diffuser box constructed of sheetmetal insulated with 1" [25.4 mm] 1.5 lbs. [.7 kg] duct liner.
- Double deflection diffuser with the blades secured by spring steel.



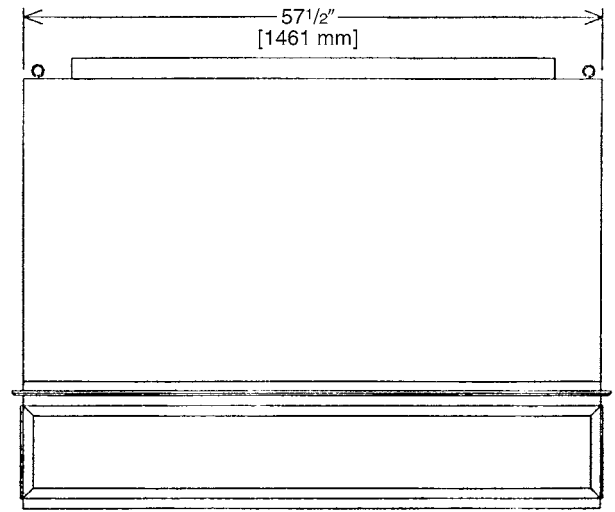
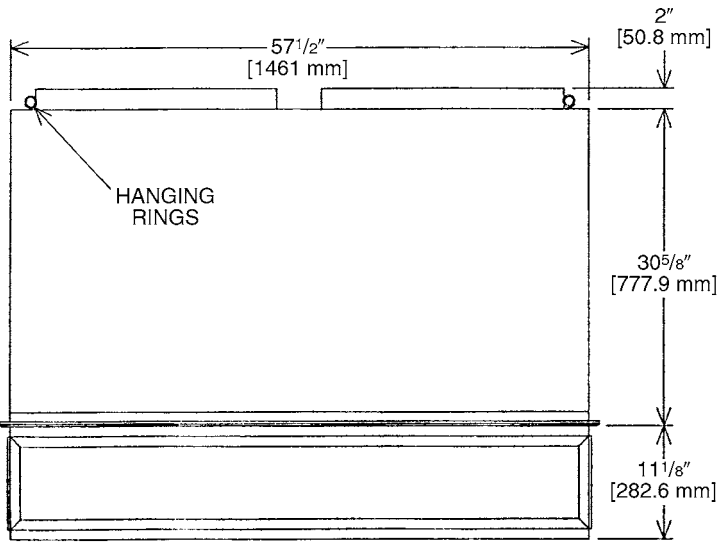
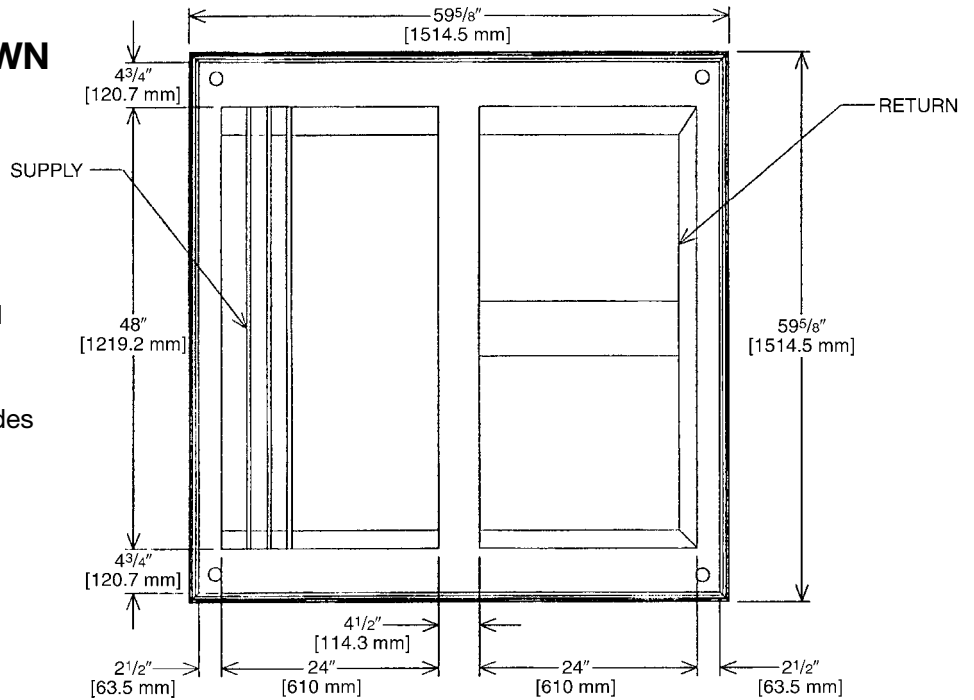
CONCENTRIC DIFFUSER SPECIFICATIONS

PART NUMBER	CFM [L/s]	STATIC PRESSURE	THROW FEET	NECK VELOCITY	JET VELOCITY
RXRN-AD81	5600 [2643]	0.36	39-49	920	920
	5800 [2737]	0.39	42-51	954	954
	6000 [2832]	0.42	44-54	1022	1022
	6200 [2926]	0.46	45-55	1056	1056
	6400 [3020]	0.50	46-55	1090	1090
	6600 [3115]	0.54	47-56	1124	1124

[] Designates Metric Conversions

CONCENTRIC DIFFUSER RXRN-AD86 SERIES 20 TON [70.3 kW] STEP DOWN

- All aluminum diffuser with aluminum return air eggcrate.
- Built-in anti-sweat gasket.
- Molded fiberglass supports.
- Built-in hanging supports.
- Diffuser box constructed of sheetmetal insulated with 1" [25.4 mm] 1.5 lbs. [.7 kg] duct liner.
- Double deflection diffuser with the blades secured by spring steel.



CONCENTRIC DIFFUSER SPECIFICATIONS

PART NUMBER	CFM [L/s]	STATIC PRESSURE	THROW FEET	NECK VELOCITY	JET VELOCITY
RXRN-AD86	7200 [3398]	0.39	33-38	827	827
	7400 [3492]	0.41	35-40	850	850
	7600 [3587]	0.43	36-41	873	873
	7800 [3681]	0.47	38-43	896	896
	8000 [3776]	0.50	39-44	918	918
	8200 [3870]	0.53	41-46	941	941
	8400 [3964]	0.56	43-49	964	964
	8600 [4059]	0.59	44-50	987	987
	8800 [4153]	0.63	47-55	1010	1010

[] Designates Metric Conversions

Guide Specifications RLNL-B180 thru B241

Note about this specification: Please feel free to copy this specification directly into your building spec. This specification is written to comply with the 2004 version of the “master format” as published by the Construction Specification Institute www.csinet.org.

ELECTRIC HEAT PACKAGED ROOFTOP

HVAC Guide Specifications

Size Range: 15-20 Nominal Tons

Section	Description
---------	-------------

23 06 80	Schedules for Decentralized HVAC Equipment
-----------------	---

23 06 80.13	Decentralized Unitary HVAC Equipment Schedule
--------------------	--

23 06 80.13.A.	Rooftop unit schedule
----------------	-----------------------

1. Schedule is per the project specification requirements.

23 07 16	HVAC Equipment Insulation
-----------------	----------------------------------

23 07 16.13	Decentralized, Rooftop Units:
--------------------	--------------------------------------

1. Interior cabinet surfaces shall be insulated with a minimum 3/4-in. thick, minimum 1-1/2 lb density, flexible fiberglass insulation bonded with a phenolic binder, with aluminum foil facing on the air side.
2. Insulation and adhesive shall meet NFPA 90A requirements for flame spread and smoke generation.

23 09 13	Instrumentation and Control Devices for HVAC
-----------------	---

23 09 13.23	Sensors and Transmitters:
--------------------	----------------------------------

23 09 13.23.A.	Thermostats
----------------	-------------

1. Thermostat must
 - a. energize both “W” and “G” when calling for heat.
 - b. have capability to energize 2 different stages of cooling, and 2 different stages of heating.
 - c. must include capability for occupancy scheduling.

23 09 33	Electric and Electronic Control System for HVAC
-----------------	--

23 09 33.13	Decentralized, Rooftop Units:
--------------------	--------------------------------------

23 09 33.13.A.	General:
----------------	----------

1. Shall be complete with self-contained low-voltage control circuit protected by a resettable circuit breaker on the 24-v transformer side.
2. Shall utilize color-coded wiring.
3. Unit shall include a minimum of one 9-pin screw terminal connection board for connection of control wiring.

23 09 33.23.B.	Safeties:
----------------	-----------

1. Compressor over-temperature, over current.
2. Low-pressure switch.
3. High-pressure switch.
4. Automatic reset, motor thermal overload protector.

23 09 93	Sequence of Operations for HVAC Controls
-----------------	---

23 09 93.13	Decentralized, Rooftop Units:
--------------------	--------------------------------------

23 09 93.13	INSERT SEQUENCE OF OPERATION
-------------	------------------------------

23 40 13	Panel Air Filters
-----------------	--------------------------

23 40 13.13	Decentralized, Rooftop Units:
--------------------	--------------------------------------

23 40 13.13.A.	Standard filter section shall
----------------	-------------------------------

1. Shall consist of factory-installed, low velocity, throwaway 2-in. thick fiberglass filters of commercially available sizes.
2. Unit shall use only one filter size. Multiple sizes are not acceptable.
3. Filter face velocity shall not exceed 365 fpm at nominal airflows.
4. Filters shall be accessible through an access panel as described in the unit cabinet section of the specification (23 81 19.13.H).

23 81 19	Self-Contained Air Conditioners
-----------------	--

23 81 19.13	Small-Capacity Self-Contained Air Conditioners
--------------------	---

23 81 19.13.A.	General
----------------	---------

1. Outdoor, rooftop mounted, electrically controlled, heating and cooling unit utilizing a(n) hermetic scroll compressor(s) for cooling duty and electric resistance heat for heating duty.

2. Factory assembled, single-piece heating and cooling rooftop unit. Contained within the unit enclosure shall be all factory wiring, piping, controls, and special features required prior to field start-up.
3. Unit shall use environmentally safe, R410A refrigerant.
4. Unit shall be installed in accordance with the manufacturer's instructions.
5. Unit must be selected and installed in compliance with local, state, and federal codes.

23 81 19.13.B. Quality Assurance

1. Unit meets ASHRAE 90.1-2004 minimum efficiency requirements.
2. 3 phase units are Energy Star qualified.
3. Unit shall be rated in accordance with AHRI Standards 210 and 360.
4. Unit shall be designed to conform to ASHRAE 15, 2001.
5. Unit shall be UL-tested and certified in accordance with ANSI Z21.47 Standards and UL-listed and certified under Canadian standards as a total package for safety requirements.
6. Insulation and adhesive shall meet NFPA 90A requirements for flame spread and smoke generation.
7. Unit casing shall be capable of withstanding 500-hour salt spray exposure per ASTM B117 (scribed specimen).
8. Unit casing shall be capable of withstanding Federal Test Method Standard No. 141 (Method 6061) 5000-hour salt spray.
9. Unit shall be designed in accordance with ISO 9001:2000, and shall be manufactured in a facility registered by ISO 9001:2000.
10. Roof curb shall be designed to conform to NRCA Standards.
11. Unit shall be subjected to a completely automated run test on the assembly line. The data for each unit will be stored at the factory, and must be available upon request.
12. Unit shall be designed in accordance with UL Standard 1995, including tested to withstand rain.
13. Unit shall be constructed to prevent intrusion of snow and tested to prevent snow intrusion into the control box up to 40 mph.

23 81 19.13.C. Delivery, Storage, and Handling

1. Unit shall be stored and handled per manufacturer's recommendations.
2. Lifted by crane requires either shipping top panel or spreader bars.
3. Unit shall only be stored or positioned in the upright position.

23 81 19.13.E. Project Conditions

1. As specified in the contract.

23 81 19.13.F. Operating Characteristics

1. Unit shall be capable of starting and running at 115°F (46°C) ambient outdoor temperature, meeting maximum load criteria of AHRI Standard 210/240 or 360 at ± 10% voltage.
2. Compressor with standard controls shall be capable of operation down to 40°F (4°C), ambient outdoor temperatures. Accessory low ambient kit is necessary if mechanically cooling at ambient temperatures below 40°F (4°C).
3. Unit shall discharge supply air vertically or horizontally as shown on contract drawings.
4. Unit shall be factory configured for vertical supply & return configurations.
5. Unit shall be field convertible from vertical to horizontal configuration.

23 81 19.13.G. Electrical Requirements

1. Main power supply voltage, phase, and frequency must match those required by the manufacturer.

23 81 19.13.H. Unit Cabinet

1. Unit cabinet shall be constructed of galvanized steel, and shall be bonderized and coated with a baked enamel finish on all externally exposed surfaces.
2. Unit cabinet exterior paint shall be: film thickness, (dry) 0.003 inches minimum, gloss (per ASTM D523, 60°F / 16°C): 60, Hardness: H-2H Pencil hardness.
3. Evaporator fan compartment interior cabinet insulation shall conform to AHRI Standards 210 or 360 minimum exterior sweat criteria. Interior surfaces shall be insulated with a minimum 3/4-in. thick, 1 lb. density, flexible fiberglass insulation, aluminum foil-faced coated on the air side.
4. Base of unit shall have locations for thru-the-base gas and electrical connections (factory installed or field installed), standard.
5. Base Rail
 - a. Unit shall have base rails on all sides.
 - b. Holes shall be provided in the base rails for rigging shackles to facilitate maneuvering and overhead rigging.
 - c. Holes shall be provided in the base rail for moving the rooftop by fork truck.
 - d. Base rail shall be a minimum of 14 gauge thickness.

6. Condensate pan and connections:
 - a. Shall be a sloped condensate drain pan made of a non-corrosive material.
 - b. Shall comply with ASHRAE Standard 62.
 - c. Shall use a 1" x 1 1/2 NPT drain connection through the side of the drain pan. Connection shall be made per manufacturer's recommendations.
7. Electrical Connections
 - a. All unit power wiring shall enter unit cabinet at a single, factory-prepared, knockout location.
 - b. Thru-the-base capability
 - i. Standard unit shall have a thru-the-base electrical location(s) using a raised, embossed portion of the unit basepan.
 - ii. No basepan penetration, other than those authorized by the manufacturer, is permitted.
8. Component access panels (standard)
 - a. Cabinet panels shall be easily removable for servicing.
 - b. Stainless steel metal hinges are standard on all doors.
 - c. Panels covering control box, indoor fan, indoor fan motor, and electric or gas heater components (where applicable), shall have 1/4 turn latches.

23 81 19.13.J. Coils

1. Standard Aluminum/Copper Coils:
 - a. Standard evaporator and condenser coils shall have aluminum lanced plate fins mechanically bonded to seamless internally grooved copper tubes with all joints brazed.
 - b. Evaporator and condenser coils shall be leak tested to 150 psig, pressure tested to 550 psig, and qualified to UL 1995 burst test at 2,200 psi.

23 81 19.13.K. Refrigerant Components

1. Refrigerant circuit shall include the following control, safety, and maintenance features:
 - a. Thermal Expansion Valve (TXV) with orifice type distributor.
 - b. Refrigerant filter drier.
 - c. Service gauge connections on suction and discharge lines.
 - d. Pressure gauge access through an access port in the front and rear panel of the unit.
2. Compressors
 - a. Unit shall use one fully hermetic, scroll compressor for each independent refrigeration circuit.
 - b. Compressor motors shall be cooled by refrigerant gas passing through motor windings.
 - c. Compressors shall be internally protected from high discharge temperature conditions. Advanced Scroll Temperature Protection on 240-300 sizes.
 - d. Compressors shall be protected from an over-temperature and over-ampereage conditions by an internal, motor overload device.
 - e. Compressor shall be factory mounted on rubber grommets.
 - f. Compressor motors shall have internal line break thermal and current overload protection.
 - g. Crankcase heaters shall not be required for normal operating range.

23 81 19.13.L. Filter Section

1. Filters access is specified in the unit cabinet section of this specification.
2. Filters shall be held in place by sliding filter tray, facilitating easy removal and installation.
3. Shall consist of factory-installed, low velocity, throw-away 2-in. thick fiberglass filters.
4. Filter face velocity shall not exceed 365 fpm at nominal airflows.
5. Filters shall be standard, commercially available sizes.
6. Only one size filter per unit is allowed.

23 81 19.13.M. Evaporator Fan and Motor

1. Evaporator fan motor:
 - a. Shall have permanently lubricated bearings.
 - b. Shall have inherent automatic-reset thermal overload protection.
 - c. Shall have a maximum continuous bhp rating for continuous duty operation; no safety factors above that rating shall be required.

2. Belt-driven Evaporator Fan:

- a. Belt drive shall include an adjustable-pitch motor pulley.
- b. Shall use sealed, permanently lubricated ball-bearing type.
- c. Blower fan shall be double-inlet type with forward-curved blades.
- d. Shall be constructed from steel with a corrosion resistant finish and dynamically balanced.

23 81 19.13.N. Condenser Fans and Motors

1. Condenser fan motors:

- a. Shall be a totally enclosed motor.
- b. Shall use permanently lubricated bearings.
- c. Shall have inherent thermal overload protection with an automatic reset feature.
- d. Shall use a shaft-down design. Shaft-up designs including those with “rain-slinger devices” shall not be allowed.

2. Condenser Fans shall:

- a. Shall be a direct-driven propeller type fan
- b. Shall have aluminum blades riveted to corrosion-resistant steel spiders and shall be dynamically balanced.

23 81 19.13.O. Special Features

1. Integrated Economizers:

- a. Integrated, gear-driven parallel modulating blade design type capable of simultaneous economizer and compressor operation.
- b. Independent modules for vertical or horizontal return configurations shall be available. Vertical return modules shall be available as a factory installed option.
- c. Damper blades shall be galvanized steel with metal gears. Plastic or composite blades on intake or return shall not be acceptable.
- d. Shall include all hardware and controls to provide free cooling with outdoor air when temperature and/or humidity are below setpoints.
- e. Shall be equipped with gear driven dampers for both the outdoor ventilation air and the return air for positive air stream control.
- f. Shall be capable of introducing up to 100% outdoor air.
- g. Shall be equipped with a barometric relief damper capable of relieving up to 100% return air.
- h. Shall be designed to close damper(s) during loss-of-power situations with spring return built into motor.
- i. An outdoor single enthalpy sensor shall be provided as standard. Outdoor air enthalpy set point shall be adjustable and shall range from the enthalpy equivalent of 63°F @ 50% rh to 73°F @ 50% rh. Additional sensor options shall be available as accessories.
- j. The economizer controller shall also provide control of an accessory power exhaust unit function. Factory set at 70%, with a range of 0% to 100%.
- k. The economizer shall maintain minimum airflow into the building during occupied period and provide design ventilation rate for full occupancy. A remote potentiometer may be used to override the damper set point.
- l. Economizer controller shall accept a 2-10Vdc CO₂ sensor input for IAQ/DCV control. In this mode, dampers shall modulate the outdoor-air damper to provide ventilation based on the sensor input.
- m. Actuator shall be direct coupled to economizer gear. No linkage arms or control rods shall be acceptable.
- n. Economizer controller shall provide indications when in free cooling mode, in the DCV mode, or the exhaust fan contact is closed.

2. Two-Position Damper

- a. Damper shall be a Two-Position Damper. Damper travel shall be from the full closed position to the field adjustable %-open setpoint.
- b. Damper shall include adjustable damper travel from 25% to 100% (full open).
- c. Damper shall include single or dual blade, gear driven damper and actuator motor.
- d. Actuator shall be direct coupled to economizer gear. No linkage arms or control rods shall be acceptable.
- e. Damper will admit up to 100% outdoor air for applicable rooftop units.
- f. Damper shall close upon indoor (evaporator) fan shutoff and/or loss of power.
- g. The damper actuator shall plug into the rooftop unit’s wiring harness plug. No hard wiring shall be required.
- h. Outside air hood shall include aluminum water entrainment filter.

3. Manual damper

- a. Manual damper package shall consist of damper, air inlet screen, and rain hood which can be preset to admit up to 50% outdoor air for year round ventilation.

4. Head Pressure Control Package
 - a. Controller shall control coil head pressure by condenser-fan cycling.
5. Convenience Outlet:
 - a. Non-Powered convenience outlet.
 - b. Outlet shall be powered from a separate 115-120v power source.
 - c. A transformer shall not be included.
 - d. Outlet shall be field-installed and internally mounted with easily accessible 115-v female receptacle.
 - e. Outlet shall include 15 amp GFI receptacles.
 - f. Outlet shall be accessible from outside the unit.
6. Thru-the-Base Connectors:
 - a. Kits shall provide connectors to permit electrical connections to be brought to the unit through the unit basepan.
7. Propeller Power Exhaust:
 - a. Power exhaust shall be used in conjunction with an integrated economizer.
 - b. Independent modules for vertical or horizontal return configurations shall be available.
 - c. Horizontal power exhaust is shall be mounted in return ductwork.
 - d. Power exhaust shall be controlled by economizer controller operation. Exhaust fans shall be energized when dampers open past the 0-100% adjustable setpoint on the economizer control.
8. Roof Curbs (Vertical):
 - a. Full perimeter roof curb with exhaust capability providing separate airstreams for energy recovery from the exhaust air without supply air contamination.
 - b. Formed galvanized steel with wood nailer strip and shall be capable of supporting entire unit weight.
 - c. Permits installation and securing of ductwork to curb prior to mounting unit on the curb.
9. Outdoor Air Enthalpy Sensor:
 - a. The outdoor air enthalpy sensor shall be used to provide single enthalpy control. When used in conjunction with a return air enthalpy sensor, the unit will provide differential enthalpy control. The sensor allows the unit to determine if outside air is suitable for free cooling.
10. Return Air Enthalpy Sensor:
 - a. The return air enthalpy sensor shall be used in conjunction with an outdoor air enthalpy sensor to provide differential enthalpy control.
11. Indoor Air Quality (CO₂) Sensor:
 - a. Shall be able to provide demand ventilation indoor air quality (IAQ) control.
 - b. The IAQ sensor shall be available in wall mount with LED display. The set point shall have adjustment capability.
12. Smoke detectors:
 - a. Shall be a Four-Wire Controller and Detector.
 - b. Shall be environmental compensated with differential sensing for reliable, stable, and drift-free sensitivity.
 - c. Shall use magnet-activated test/reset sensor switches.
 - d. Shall have tool-less connection terminal access.
 - e. Shall have a recessed momentary switch for testing and resetting the detector.
 - f. Controller shall include:
 - i. One set of normally open alarm initiation contacts for connection to an initiating device circuit on a fire alarm control panel
 - ii. Two Form-C auxiliary alarm relays for interface with rooftop unit or other equipment.
 - iii. One Form-C supervision (trouble) relay to control the operation of the Trouble LED on a remote test/reset station.
 - iv. Capable of direct connection to two individual detector modules.
 - v. Can be wired to up to 14 other duct smoke detectors for multiple fan shutdown applications.

BEFORE PURCHASING THIS APPLIANCE, READ IMPORTANT ENERGY COST AND EFFICIENCY INFORMATION AVAILABLE FROM YOUR RETAILER.

GENERAL TERMS OF LIMITED WARRANTY*

Rheem will furnish a replacement for any part of this product which fails in normal use and service within the applicable periods stated, in accordance with the terms of the limited warranty.

***For complete details of the Limited and Conditional Warranties, including applicable terms and conditions, contact your local contractor or the Manufacturer for a copy of the product warranty certificate.**

Compressor

3 Phase, Commercial Applications.....Five (5) Years

Parts

3 Phase, Commercial Applications.....One (1) Year



The new degree of comfort.™

In keeping with its policy of continuous progress and product improvement, Rheem reserves the right to make changes without notice.

Rheem Heating, Cooling & Water Heating • P.O. Box 17010
Fort Smith, Arkansas 72917 • www.rheem.com

Rheem Canada Ltd./Ltée • 125 Edgeware Road, Unit 1
Brampton, Ontario • L6Y 0P5



INTEGRATED AIR & WATER