



The new degree of comfort.™

# SUBMITTAL COVER SHEET

PROJECT NAME \_\_\_\_\_

LOCATION \_\_\_\_\_

ARCHITECT \_\_\_\_\_

ENGINEER \_\_\_\_\_

CONTRACTOR \_\_\_\_\_

SUBMITTED BY \_\_\_\_\_ DATE \_\_\_\_\_

## UNIT SUMMARY

Quantity						
Unit Designation						
Model No.						
Total Cooling						
Sensible Cooling						
Air Ent. Evaporator						
Air Lvg. Evaporator						
Heating Input						
Heating Output						
CFM/ESP						
EER/SEER						
Electrical						
Minimum Ampacity						
Min.-Max. Breaker						
Net Unit Weight						
Accessory						
Catalog Form Number						

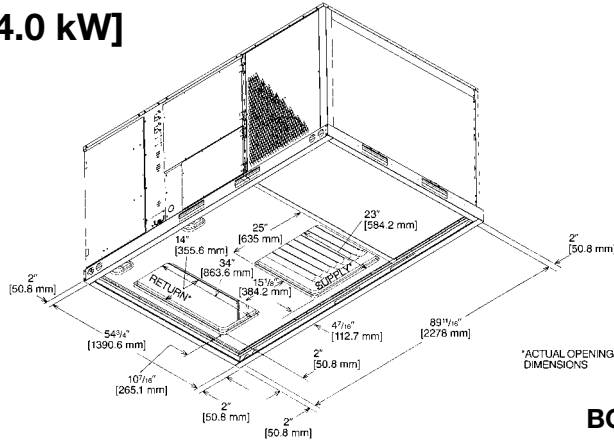
**ACCESSORIES:**

**NOTES:**

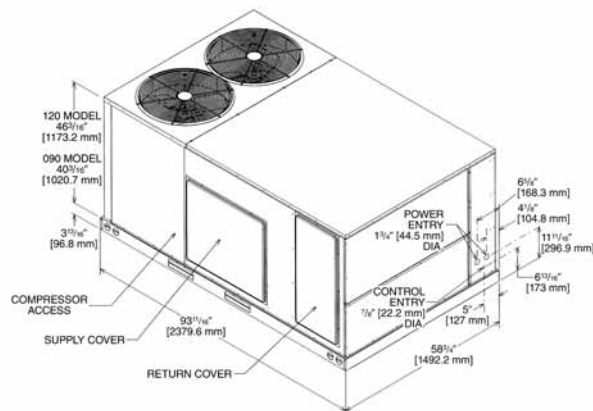


# PACKAGE HIGH EFFICIENCY AIR CONDITIONER UNITS: RLNL-B Series Nominal Sizes 6-12.5 Tons [21.1-44.0 kW]

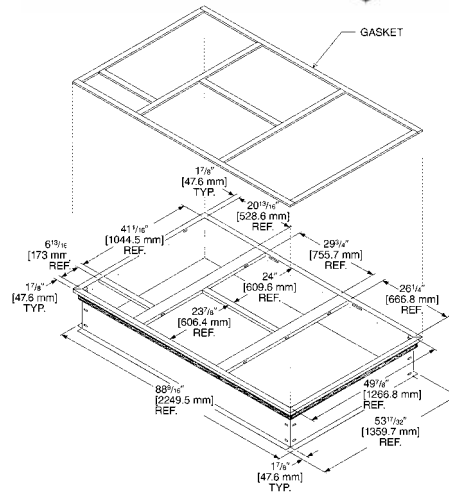
JOB NAME \_\_\_\_\_  
 CONTRACTOR \_\_\_\_\_  
 ENGINEER \_\_\_\_\_  
 LOCATION \_\_\_\_\_  
 ORDER NO. \_\_\_\_\_  
 SUBMITTED FOR  APPROVAL  RECORD  
 SUBMITTED BY \_\_\_\_\_  
 DATE \_\_\_\_\_  
 UNIT DESIGNATION \_\_\_\_\_  
 MODEL NO. \_\_\_\_\_



**BOTTOM VIEW**



**ROOFCURB INSTALLATION**



**Roofcurb Includes Insulation Panels**

[ ] Designates Metric Conversions

## UNIT DATA

### COOLING PERFORMANCE

TOTAL CAPACITY*	_____	MBH
SENSIBLE CAPACITY*	_____	MBH
EFFICIENCY (at AHRI)	_____	EER
PART LOAD EFFICIENCY	_____	IPLV
AMBIENT DB TEMP	_____	°F
ENTERING DB TEMP	_____	°F
ENTERING WB TEMP	_____	°F
LEAVING DB TEMP	_____	°F
LEAVING WB TEMP	_____	°F
TOTAL POWER INPUT	_____	kW
ELEVATION	_____	FT
SOUND POWER	_____	DBELS

### HEATING PERFORMANCE

ELECTRIC HEAT CAPACITY	_____	kW
------------------------	-------	----

### SUPPLY AIR BLOWER PERFORMANCE

SUPPLY AIR	_____	CFM [L/s]
OUTSIDE AIR	_____	CFM [L/s]
EXTERNAL STATIC PRESSURE	_____	IWG
DUCT CONNECTION LOCATION	_____	
BLOWER SPEED	_____	RPM
MOTOR RATING	_____	HP [W]
BRAKE HORSEPOWER	_____	BHP
POWER INPUT REQUIREMENT	_____	kW

### ELECTRICAL DATA

POWER SUPPLY	_____	Hz
MINIMUM CIRCUIT AMPACITY	_____	AMPS
MAXIMUM OVERCURRENT DEVICE	_____	
FUSE SIZE	_____	AMPS
HACR CIRCUIT BREAKER	_____	AMPS

### DIMENSIONS & WEIGHT

HEIGHT	_____ IN	WIDTH	_____ IN	DEPTH	_____ IN
TOTAL WEIGHT	_____ LBS [kg]				
(including factory options)					

### CLEARANCES

FRONT	48" [1219 mm]	BACK	18" [457 mm]
BOTTOM	0"	TOP	60" [1524 mm]
LEFT SIDE	18" [457 mm]		36" [914 mm]
RIGHT SIDE (condenser end)			18" [457 mm]



*"Proper sizing and installation of equipment is critical to achieve optimal performance. Ask your Contractor for details or visit [www.energystar.gov](http://www.energystar.gov)."*

**FEATURES FOR PACKAGE AIR CONDITIONER  
6-12.5 TONS NOMINAL TONS [21.1-44.0 kW]**

- R-410A HFC refrigerant.
- Complete factory charged, wired and run tested.
- Scroll compressors with internal line break overload and high-pressure protection.
- Single stage compressor on B072 and B085 models.
- Dual stage compressor on B090 – B150 models.
- Convertible airflow.
- TXV refrigerant metering system on each circuit (except on B072 and B085).
- High Pressure and Low Pressure/Loss of charge protection standard on all models.
- Solid Core liquid line filter drier on each circuit.
- Single slab, single pass designed evaporator and condenser coils facilitate easy cleaning for maintained high efficiencies.
- Cooling operation up to 125 degree F ambient.
- Foil faced insulation encapsulated throughout entire unit minimizes airborne fibers from the air stream.
- Hinged major access door with heavy-duty gasketing, 1/4 turn latches and door retainers.
- Slide Out Indoor fan assembly for added service convenience.
- Powder Paint Finish meets ASTM B117 steel coated on each side for maximum protection. G90 galvanized.
- One piece top cover and one piece base pan with drawn supply and return opening for superior water management.
- Forkable base rails for easy handling and lifting.
- Single point electrical connections.
- Internally sloped slide out condensate pan conforms to ASHRAE 62 standards.
- High performance belt drive motor with variable pitch pulleys and quick adjust belt system.
- Permanently lubricated evaporator, condenser and gas heat inducer motors.
- Condenser motors are internally protected, totally enclosed with shaft down design.
- 2 inch filter standard with slide out design.
- 24 volt control system with resettable circuit breakers.
- Colored and labeled wiring.
- Copper tube/Aluminum Fin coils (12 1/2 uses micro channel condenser).
- Molded compressor plug.
- Supplemental electric heat provides 100% efficient heating.

[ ] Designates Metric Conversions

**ACCESSORIES**

- |                              |                             |                          |
|------------------------------|-----------------------------|--------------------------|
| Economizers                  | Condenser Coil Guards ..... | <input type="checkbox"/> |
| With Single Enthalpy .....   | Roofcurbs .....             | <input type="checkbox"/> |
| With Dual Enthalpy .....     | Low Ambient Control .....   | <input type="checkbox"/> |
| CO <sub>2</sub> Sensor ..... | Electric Heater Kits .....  | <input type="checkbox"/> |
| Fresh Air Dampers            | Concentric Diffuser .....   | <input type="checkbox"/> |
| Manual .....                 | Roofcurb Adapters .....     | <input type="checkbox"/> |
| Motorized .....              | High Pressure Control ..... | <input type="checkbox"/> |
|                              | Low Pressure Control .....  | <input type="checkbox"/> |

**NOTES**

**Before proceeding with installation, refer to installation instructions packaged with each model, as well as complying with all Federal, State, Provincial, and Local codes, regulations, and practices.**

Rheem Sales Company, Inc.  
P.O. Box 17010, Fort Smith, AR 72917

*"In keeping with its policy of continuous progress and product improvement, Rheem reserves the right to make changes without notice."*