



RLNL-A

Parts List
08-April-2014



*This parts list is current as of the above revision date.
See <http://www.rheempartslists.net/92-42800-RLNL-A.pdf> for the current revision.*

Package Air Conditioners - Commercial

Table of Contents

Model Explanation	Page 3
Parts Numbers	
Panels - Miscellaneous (Granite-Steel Gray)	Page 4
Panels - Miscellaneous (Neutra Green)	Page 5
Electrical Group	Page 6
Fan Group	Page 7
Blower Group - Direct Drive	Page 8
Blower Group - Belt Drive 036-042	Page 9
Blower Group - Belt Drive 048-060	Page 10
Coil Parts	Page 11
Compressor Group	Page 12
Heater Kits	Page 13
Accessories	Page 13
Drawings/Photographs	
Exploded View	Page 14
Control Box	Page 15
Blower Assembly - Direct Drive	Page 15
Blower Assembly - Belt Drive	Page 16
Blower Motor Mount Assembly - Belt Drive	Page 17
Coil Group Cut-away View	Page 18
Evaporator Coil - Filter Parts	Page 18
Evaporator Coil Parts	Page 19
Freeze Stat Control	Page 20
Compressor - Refrigeration Group	Page 20
TXV Identification Guide	Page 21
Notes/Disclaimer	Page 22

MODEL NUMBER EXPLANATION

R	L	N	L	-	A	0	3	6	J	K	0	0	0	A	C	A
1	2	3	4		5		6		7	8		9		10		11

(1) TRADENAME IDENTIFICATION

(2) L = PACKAGED AIR CONDITIONER - COMMERCIAL

(3) EFFICIENCY DESIGNATION

N = (13 SEER)
P = (14 SEER)

(4) DESIGN SERIES

L = Design Series (R-410A)

(5) TECHNICAL VARIATIONS

(6) COOLING CAPACITY (BTU/HR) kW

036 = 36,000 10.55
042 = 42,000 12.31
048 = 48,000 14.07
060 = 60,000 17.58

(7) ELECTRICAL DESIGNATION

J = 208-230/1/60
C = 208-230/3/60
D = 460/3/60
Y = 575/3/60

(8) DRIVE PACKAGE

K = Direct Drive
L = Belt Drive
M = Belt Drive - High Static

(9) HEATING CAPACITY - (MBH)

000 = No Resistance Heat
010 = 10 kW Resistance Heat
015 = 15 kW Resistance Heat
020 = 20 kW Resistance Heat

(10) FACTORY INSTALLED OPTION CODES

AC = High & Low Pressure
AD = Hail Guard
AE = Low Ambient, Time Delay
AK = Side Flow
AL = Reduced Height Baserails
BB = High and Low Pressure, Hail Guard
BE = High and Low Pressure, Low Ambient, Time Delay
BS = Hail Guard, Side Flow
BU = High & Low Pressure, Side Flow
BX = Hail Guard, Reduced Height Baserails
CB = High & Low Pressure, Low Ambient, Time Delay, Hail Guard
CP = High & Low Pressure, Hail Guard, Reduced Height Baserails
DE = High & Low Pressure, Hail Guard, Low Ambient, Time Delay, Side Flow

(11) ECONOMIZER OPTION

A = No Economizer
B = Single Enthalpy Economizer With Barometric Relief

SERIAL NUMBER EXPLANATION

1	2	3	4	F	0	6	0	5	9	9	9	9	9
	1			2		3		4				5	

1 COMPRESSOR IDENTIFICATION NUMBER

2 PRODUCTION LOCATION
F = FORT SMITH, AR

3 WEEK OF PRODUCTION

4 YEAR OF PRODUCTION

5 PRODUCTION NUMBER

No.	Notes	MODEL TECHNICAL VARIATIONS COOLING CAPACITY	RLNL- A 036	RLNL- A 042	RLNL- A 048	RLNL- A 060
PANELS, MISCELLANEOUS PARTS (Granite Steel Gray - After F4411)						
1		Base Rail - Side (2)	AE-58900-01	AE-58900-01	AE-58900-01	AE-58900-01
2		Base Rail - Condenser End	AE-58901-01	AE-58901-01	AE-58901-01	AE-58901-01
3		Base Rail - Evaporator End	AE-58902-01	AE-58902-01	AE-58902-01	AE-58902-01
4		Outdoor Coil Base Pan	AS-59051-01H	AS-59051-01H	AS-59051-01H	AS-59051-01H
5		Indoor Coil Base Pan	AS-58910-05	AS-58910-05	AS-58910-05	AS-58910-05
6		Condenser Bulkhead (Does not include Limit Baffle or Tube Support Angles)	AS-59126-02	AS-59126-02	AS-59126-02	AS-59126-02
		Limit Shield Assembly	AS-59152-01	AS-59152-01	AS-59152-01	AS-59152-01
7		Blower Bulkhead (Does not include Tube Support Angle, Blower Extension, or Insulation Retainer)	AS-59129-01	AS-59129-01	AS-59129-01	AS-59129-01
8		Blower Extension - Front	AE-58928-01	AE-58928-01	AE-58928-01	AE-58928-01
9		Blower Extension - Back	AE-58928-02	AE-58928-02	AE-58928-02	AE-58928-02
		Cover Plate (On the Blower Extension - Front to cover the Limit Control opening)	AE-76216-01	AE-76216-01	AE-76216-01	AE-76216-01
		Insulation Retainer	AE-59059-01	AE-59059-01	AE-59059-01	AE-59059-01
10		Wire Chase Assembly	AS-58927-01	AS-58927-01	AS-58927-01	AS-58927-01
11		Corner Post (2)	AS-58965-01H	AS-58965-01H	AS-58965-01H	AS-58965-01H
13		Louvered Panel	See Accessories			
14		Louvered Panel	See Accessories			
15		Louvered Panel	See Accessories			
16		Return/Supply Cover Assembly	AS-58992-01H	AS-58992-01H	AS-58992-01H	AS-58992-01H
17		Rear Panel (Includes Insulation, Filler Panel, and Stripping)	AS-58976-01H	AS-58976-01H	AS-58976-01H	AS-58976-01H
18		Filler Panel - (Return Air Filler)	AS-58974-01H	AS-58974-01H	AS-58974-01H	AS-58974-01H
		Filler Panel Stripping	AE-58897-10	AE-58897-10	AE-58897-10	AE-58897-10
19		Blower/Filter Access Panels (2)	AS-58990-01H	AS-58990-01H	AS-58990-01H	AS-58990-01H
20		Post - Left End	AS-58973-01H	AS-58973-01H	AS-58973-01H	AS-58973-01H
21		Front Panel Assembly	AS-59132-01H	AS-59132-01H	AS-59132-01H	AS-59132-01H
22		Electric Heat Access Panel Assembly	AS-59121-02H	AS-59121-02H	AS-59121-02H	AS-59121-02H
23		Compressor Access Panel	AS-58983-02H	AS-58983-02H	AS-58983-02H	AS-58983-02H
24		Power Entry Panel	AS-58968-03H	AS-58968-03H	AS-58968-03H	AS-58968-03H
25		Front Post	AS-58967-01H	AS-58967-01H	AS-58967-01H	AS-58967-01H
26		Indoor Coil Top Panel	AS-58979-01H	AS-58979-01H	AS-58979-01H	AS-58979-01H
27		Condenser Top Panel	AS-58982-01H	AS-58982-01H	AS-58982-01H	AS-58982-01H
29		Wire Grille	95-101660-01	95-101660-01	95-101660-01	95-101660-01
31		Control Box (w/o components)	AS-59039-01	AS-59039-01	AS-59039-01	AS-59039-01

No.	Notes	MODEL TECHNICAL VARIATIONS COOLING CAPACITY	RLNL- A 036	RLNL- A 042	RLNL- A 048	RLNL- A 060
PANELS, MISCELLANEOUS PARTS (Neutra Green - Before F4411)						
1		Base Rail - Side (2)	AE-58900-01	AE-58900-01	AE-58900-01	AE-58900-01
2		Base Rail - Condenser End	AE-58901-01	AE-58901-01	AE-58901-01	AE-58901-01
3		Base Rail - Evaporator End	AE-58902-01	AE-58902-01	AE-58902-01	AE-58902-01
4		Outdoor Coil Base Pan	AS-59051-01	AS-59051-01	AS-59051-01	AS-59051-01
5		Indoor Coil Base Pan	AS-58910-05	AS-58910-05	AS-58910-05	AS-58910-05
6		Condenser Bulkhead (Does not include Limit Baffle or Tube Support Angles)	AS-59126-02	AS-59126-02	AS-59126-02	AS-59126-02
		Limit Shield Assembly	AS-59152-01	AS-59152-01	AS-59152-01	AS-59152-01
7		Blower Bulkhead (Does not include Tube Support Angle, Blower Extension, or Insulation Retainer)	AS-59129-01	AS-59129-01	AS-59129-01	AS-59129-01
8		Blower Extension - Front	AE-58928-01	AE-58928-01	AE-58928-01	AE-58928-01
9		Blower Extension - Back	AE-58928-02	AE-58928-02	AE-58928-02	AE-58928-02
		Cover Plate (On the Blower Extension - Front to cover the Limit Control opening)	AE-76216-01	AE-76216-01	AE-76216-01	AE-76216-01
		Insulation Retainer	AE-59059-01	AE-59059-01	AE-59059-01	AE-59059-01
10		Wire Chase Assembly	AS-58927-01	AS-58927-01	AS-58927-01	AS-58927-01
11		Corner Post (2)	AE-58965-01	AE-58965-01	AE-58965-01	AE-58965-01
13		Louvered Panel	See Accessories			
14		Louvered Panel	See Accessories			
15		Louvered Panel	See Accessories			
16		Return/Supply Cover Assembly	AS-58992-01	AS-58992-01	AS-58992-01	AS-58992-01
17		Rear Panel (Includes Insulation, Filler Panel, and Stripping)	AS-58976-01	AS-58976-01	AS-58976-01	AS-58976-01
18		Filler Panel - (Return Air Filler)	AE-58974-01	AE-58974-01	AE-58974-01	AE-58974-01
		Filler Panel Stripping	AE-58897-10	AE-58897-10	AE-58897-10	AE-58897-10
19		Blower/Filter Access Panels (2)	AS-58990-01	AS-58990-01	AS-58990-01	AS-58990-01
20		Post - Left End	AS-58973-01	AS-58973-01	AS-58973-01	AS-58973-01
21		Front Panel Assembly	AS-59132-01	AS-59132-01	AS-59132-01	AS-59132-01
22		Electric Heat Access Panel Assembly	AS-59121-02	AS-59121-02	AS-59121-02	AS-59121-02
23		Compressor Access Panel	AE-58983-02	AE-58983-02	AE-58983-02	AE-58983-02
24		Power Entry Panel	AE-58968-03	AE-58968-03	AE-58968-03	AE-58968-03
25		Front Post	AE-58967-01	AE-58967-01	AE-58967-01	AE-58967-01
26		Indoor Coil Top Panel	AS-58979-01	AS-58979-01	AS-58979-01	AS-58979-01
27		Condenser Top Panel	AS-58982-01	AS-58982-01	AS-58982-01	AS-58982-01
29		Wire Grille	95-101660-01	95-101660-01	95-101660-01	95-101660-01
31		Control Box (w/o components)	AS-59039-01	AS-59039-01	AS-59039-01	AS-59039-01

No.	Notes	MODEL TECHNICAL VARIATION COOLING CAPACITY ELECTRICAL DESIGNATION	RLNL- A 036 C	RLNL- A 036 D	RLNL- A 036 J	RLNL- A 036 Y	RLNL- A 042 C	
ELECTRIC GROUP								
35	Stk	Blower Relay	See Blower Group					
36	Stk	Blower Time Delay Relay (Sequencing Relay)	See Blower Group					
37	Stk	Blower Contactor	See Blower Group					
38	Stk	Compressor Time Delay Relay	See Accessories					
39	Stk	Compressor Contactor	42-22464-01	42-22464-01	42-42728-03	42-22464-01	42-22464-01	
40	Stk	Transformer	46-23600-01	46-23600-02	46-23600-01	46-23600-02	46-23600-01	
41		Terminal Block (Strip)	45-23591-01	45-23591-01	45-23591-01	45-23591-01	45-23591-01	
		Low Ambient Control	See Accessories					
91	Stk	Low Pressure Control	See Accessories					
92	Stk	High Pressure Control	See Accessories					
93		Freeze Stat	47-23683-04	47-23683-04	47-23683-04	47-23683-04	47-23683-04	

No.	Notes	MODEL TECHNICAL VARIATION COOLING CAPACITY ELECTRICAL DESIGNATION	RLNL- A 042 D	RLNL- A 042 J	RLNL- A 048 C	RLNL- A 048 D	RLNL- A 048 J	
ELECTRIC GROUP								
35	Stk	Blower Relay	See Blower Group					
36	Stk	Blower Time Delay Relay (Sequencing Relay)	See Blower Group					
37	Stk	Blower Contactor	See Blower Group					
38	Stk	Compressor Time Delay Relay	See Accessories					
39	Stk	Compressor Contactor	42-22464-01	42-42728-03	42-22464-01	42-22464-01	42-42478-02	
40	Stk	Transformer	46-23600-02	46-23600-01	46-23600-01	46-23600-02	46-23600-01	
41		Terminal Block (Strip)	45-23591-01	45-23591-01	45-23591-01	45-23591-01	45-23591-01	
		Low Ambient Control	See Accessories					
91	Stk	Low Pressure Control	See Accessories					
92	Stk	High Pressure Control	See Accessories					
93	Stk	Freeze Stat	47-23683-04	47-23683-04	47-23683-04	47-23683-04	47-23683-04	

No.	Notes	MODEL TECHNICAL VARIATION COOLING CAPACITY ELECTRICAL DESIGNATION	RLNL- A 048 Y	RLNL- A 060 C	RLNL- A 060 D	RLNL- A 060 J	RLNL- A 060 Y	
ELECTRIC GROUP								
35	Stk	Blower Relay	See Blower Group					
36	Stk	Blower Time Delay Relay (Sequencing Relay)	See Blower Group					
37	Stk	Blower Contactor	See Blower Group					
38	Stk	Compressor Time Delay Relay	See Accessories					
39	Stk	Compressor Contactor	42-22464-01	42-22464-01	42-22464-01	42-42478-02	42-22464-01	
40	Stk	Transformer	46-23600-02	46-23600-01	46-23600-02	46-23600-01	46-23600-02	
41		Terminal Block (Strip)	45-23591-01	45-23591-01	45-23591-01	45-23591-01	45-23591-01	
		Low Ambient Control	See Accessories					
91	Stk	Low Pressure Control	See Accessories					
92	Stk	High Pressure Control	See Accessories					
93	Stk	Freeze Stat	47-23683-04	47-23683-04	47-23683-04	47-23683-04	47-23683-04	

No.	Notes	MODEL TECHNICAL VARIATION COOLING CAPACITY ELECTRICAL DESIGNATION	RLNL- A 036 C	RLNL- A 036 D	RLNL- A 036 J	RLNL- A 036 Y	RLNL- A 042 C
FAN GROUP							
32	Stk	Fan Motor	51-100998-05	51-100998-07	51-100998-05	51-100998-14	51-100998-05
33	Stk	Capacitor - Fan Motor	43-100496-04	43-100496-04	See Compressor Group	43-100496-11	43-100496-04
34	Stk	Fan Blade	70-23594-01	70-23594-01	70-23594-01	70-23594-01	70-23594-01
		Capacitor Adaptor Plate	AE-54609-02	AE-54609-02	N/A	AE-54609-02	AE-54609-02

No.	Notes	MODEL TECHNICAL VARIATION COOLING CAPACITY ELECTRICAL DESIGNATION	RLNL- A 042 D	RLNL- A 042 J	RLNL- A 048 C	RLNL- A 048 D	RLNL- A 048 J
FAN GROUP							
32	Stk	Fan Motor	51-100998-07	51-100998-05	51-100998-05	51-100998-07	51-100998-05
33	Stk	Capacitor - Fan Motor	43-100496-04	See Compressor Group	43-100496-04	43-100496-04	See Compressor Group
34	Stk	Fan Blade	70-23594-01	70-23594-01	70-23594-01	70-23594-01	70-23594-01
		Capacitor Adaptor Plate	AE-54609-02	N/A	AE-54609-02	AE-54609-02	N/A

No.	Notes	MODEL TECHNICAL VARIATION COOLING CAPACITY ELECTRICAL DESIGNATION	RLNL- A 048 Y	RLNL- A 060 C	RLNL- A 060 D	RLNL- A 060 J	RLNL- A 060 Y
FAN GROUP							
32	Stk	Fan Motor	51-100998-14	51-100998-13	51-100998-12	51-100998-13	51-100998-14
33	Stk	Capacitor - Fan Motor	43-100496-11	43-100496-12	43-100496-12	See Compressor Group	43-100496-11
34	Stk	Fan Blade	70-23594-01	70-42484-01	70-42484-01	70-42484-01	70-42484-01
		Capacitor Adaptor Plate	AE-54609-02	AE-54609-02	AE-54609-02	N/A	AE-54609-02

No.	Notes	MODEL TECHNICAL VARIATION COOLING CAPACITY ELECTRICAL DESIGNATION DRIVE PACKAGE	RLNL- A 036 C K	RLNL- A 036 D K	RLNL- A 036 J K	RLNL- A 042 C K
BLOWER ASSEMBLY GROUP - DIRECT DRIVE						
35	Stk	Blower Relay	42-101208-01	42-21571-04	42-101208-01	42-101208-01
36	Stk	Blower Time Delay Relay (Sequencing Relay)	42-21593-03	42-21593-03	42-21593-03	42-21593-03
37	Stk	Blower Contactor	N/A	42-22464-01	N/A	N/A
53	Stk	Blower Assembly (Items 54-61)	AS-59050-03	AS-59050-09	AS-59050-03	AS-59050-03
54		Housing	AS-58944-01	AS-58944-01	AS-58944-01	AS-58944-01
55	Stk	Wheel	70-23110-30	70-23110-30	70-23110-30	70-23110-30
56		Cut-Off Tabulation	AE-64401-05	AE-64401-05	AE-64401-05	AE-64401-05
57	Stk	Blower Motor	51-23679-01	51-23679-02	51-23679-01	51-23679-01
58	Stk	Capacitor - Blower Motor	43-100496-12	43-100496-12	43-100496-12	43-100496-12
		Capacitor Strap	AE-50892-01	AE-50892-01	AE-50892-01	AE-50892-01
59		Motor Band	70-19927-01	70-19927-01	70-19927-01	70-19927-01
60		Motor Mounting Arm (3)	70-19929-02	70-19929-02	70-19929-02	70-19929-02
61		Blower Support - (Left Side)	AE-58950-02	AE-58950-02	AE-58950-02	AE-58950-02
		Blower Support - (Motor Side)	AE-59060-01	AE-59060-01	AE-59060-01	AE-59060-01

No.	Notes	MODEL TECHNICAL VARIATION COOLING CAPACITY ELECTRICAL DESIGNATION DRIVE PACKAGE	RLNL- A 042 D K	RLNL- A 042 J K	RLNL- A 048 C K	RLNL- A 048 D K
BLOWER ASSEMBLY GROUP - DIRECT DRIVE						
35	Stk	Blower Relay	42-21571-04	42-101208-01	42-101208-01	42-21571-04
36	Stk	Blower Time Delay Relay (Sequencing Relay)	42-21593-03	42-21593-03	42-21593-03	42-21593-03
37	Stk	Blower Contactor	42-22464-01	N/A	N/A	42-22464-01
53	Stk	Blower Assembly (Items 54-61)	AS-59050-09	AS-59050-03	AS-59050-03	AS-59050-09
54		Housing	AS-58944-01	AS-58944-01	AS-58944-01	AS-58944-01
55	Stk	Wheel	70-23110-30	70-23110-30	70-23110-30	70-23110-30
56		Cut-Off Tabulation	AE-64401-05	AE-64401-05	AE-64401-05	AE-64401-05
57	Stk	Blower Motor	51-23679-02	51-23679-01	51-23679-01	51-23679-02
58	Stk	Capacitor - Blower Motor	43-100496-12	43-100496-12	43-100496-12	43-100496-12
		Capacitor Strap	AE-50892-01	AE-50892-01	AE-50892-01	AE-50892-01
59		Motor Band	70-19927-01	70-19927-01	70-19927-01	70-19927-01
60		Motor Mounting Arm (3)	70-19929-02	70-19929-02	70-19929-02	70-19929-02
61		Blower Support - (Left Side)	AE-58950-02	AE-58950-02	AE-58950-02	AE-58950-02
		Blower Support - (Motor Side)	AE-59060-01	AE-59060-01	AE-59060-01	AE-59060-01

No.	Notes	MODEL TECHNICAL VARIATION COOLING CAPACITY ELECTRICAL DESIGNATION DRIVE PACKAGE	RLNL- A 048 J K	RLNL- A 060 C K	RLNL- A 060 D K	RLNL- A 060 J K
BLOWER ASSEMBLY GROUP - DIRECT DRIVE						
35	Stk	Blower Relay	42-101208-01	42-21571-08	42-21571-08	42-21571-08
36	Stk	Blower Time Delay Relay (Sequencing Relay)	42-21593-03	N/A	N/A	N/A
37	Stk	Blower Contactor	N/A	N/A	42-22464-01	N/A
53	Stk	Blower Assembly (Items 54-61)	AS-59050-03	AS-59050-13	AS-59050-32	AS-59050-13
54		Housing	AS-58944-01	AS-58944-01	AS-58944-01	AS-58944-01
55	Stk	Wheel	70-23110-30	70-23110-30	70-23110-30	70-23110-30
56		Cut-Off Tabulation	AE-64401-05	AE-64401-05	AE-64401-05	AE-64401-05
57	Stk	Blower Motor	51-23679-01	51-101984-01	51-103624-04	51-101984-01
58	Stk	Capacitor - Blower Motor	43-100496-12	N/A	N/A	N/A
		Capacitor Strap	AE-50892-01	N/A	N/A	N/A
59		Motor Band	70-19927-01	70-19927-03	70-19927-03	70-19927-03
60		Motor Mounting Arm (3)	70-19929-02	70-19929-09	70-19929-09	70-19929-09
61		Blower Support - (Left Side)	AE-58950-02	AE-58950-02	AE-58950-02	AE-58950-02
		Blower Support - (Motor Side)	AE-59060-01	AE-59060-01	AE-59060-01	AE-59060-01

No.	Notes	MODEL TECHNICAL VARIATION COOLING CAPACITY ELECTRICAL DESIGNATION DRIVE PACKAGE	RLNL-	RLNL-	RLNL-	RLNL-	RLNL-	RLNL-
			A 036 C L	A 036 C M	A 036 D L	A 036 D M	A 036 Y L	A 036 Y M
BLOWER GROUP - BELT DRIVE								
35	Stk	Blower Relay	42-101208-01	42-101208-01	42-21571-04	42-21571-04	42-101208-01	42-101208-01
36	Stk	Blower Time Delay Relay (Sequencing Relay)	42-21593-03	42-21593-03	42-21593-03	42-21593-03	42-21593-03	42-21593-03
37	Stk	Blower Contactor	42-22464-01	42-22464-01	42-22464-01	42-22464-01	42-22464-01	42-22464-01
74	Stk	Blower Motor	51-42579-01	51-21909-01	51-42579-01	51-21909-01	51-22241-02	51-22241-02
75	Stk	Variable Pitch Sheave	71-40427-30	71-40427-25	71-40427-30	71-40427-25	71-40427-30	71-40427-25
76	Stk	Belt	71-40235-43	71-40235-43	71-40235-43	71-40235-43	71-40235-43	71-40235-43
62	Stk	Blower Assembly (Items 63-73, excluding Items 67 and 72b)	AS-101336-01	AS-101336-05	AS-101336-01	AS-101336-05	AS-101336-01	AS-101336-05
63		Housing	AS-101341-01	AS-101341-01	AS-101341-01	AS-101341-01	AS-101341-01	AS-101341-01
64	Stk	Bearing Frame Tri-Arm (2)	70-41723-03	70-41723-03	70-41723-03	70-41723-03	70-41723-03	70-41723-03
65	Stk	Ball Bearing and Cushion (2)	70-41911-01	70-41911-01	70-41911-01	70-41911-01	70-41911-01	70-41911-01
66	Stk	Blower Shaft	70-21933-02	70-21933-02	70-21933-02	70-21933-02	70-21933-02	70-21933-02
67	Stk	Fixed Pitch Sheave	71-21932-04	71-21932-03	71-21932-04	71-21932-03	71-21932-04	71-21932-03
68		Blower Support - Left	AE-58950-02	AE-58950-02	AE-58950-02	AE-58950-02	AE-58950-02	AE-58950-02
69	Stk	Wheel	70-23589-01	70-23589-01	70-23589-01	70-23589-01	70-23589-01	70-23589-01
70		Cut-Off Tabulation	AE-64401-05	AE-64401-05	AE-64401-05	AE-64401-05	AE-64401-05	AE-64401-05

No.	Notes	MODEL TECHNICAL VARIATION COOLING CAPACITY ELECTRICAL DESIGNATION DRIVE PACKAGE	RLNL-	RLNL-	RLNL-	RLNL-		
			A 042 C L	A 042 C M	A 042 D L	A 042 D M		
BLOWER GROUP - BELT DRIVE								
35	Stk	Blower Relay	42-101208-01	42-101208-01	42-21571-04	42-21571-04		
36	Stk	Blower Time Delay Relay (Sequencing Relay)	42-21593-03	42-21593-03	42-21593-03	42-21593-03		
37	Stk	Blower Contactor	42-22464-01	42-22464-01	42-22464-01	42-22464-01		
74	Stk	Blower Motor	51-42579-01	51-21909-01	51-42579-01	51-21909-01		
75	Stk	Variable Pitch Sheave	71-40427-30	71-40427-25	71-40427-30	71-40427-25		
76	Stk	Belt	71-40235-43	71-40235-43	71-40235-43	71-40235-43		
62	Stk	Blower Assembly (Items 63-73, excluding Items 67 and 72b)	AS-101336-01	AS-101336-05	AS-101336-01	AS-101336-05		
63		Housing	AS-101341-01	AS-101341-01	AS-101341-01	AS-101341-01		
64	Stk	Bearing Frame Tri-Arm (2)	70-41723-03	70-41723-03	70-41723-03	70-41723-03		
65	Stk	Ball Bearing and Cushion (2)	70-41911-01	70-41911-01	70-41911-01	70-41911-01		
66	Stk	Blower Shaft	70-21933-02	70-21933-02	70-21933-02	70-21933-02		
67	Stk	Fixed Pitch Sheave	71-21932-04	71-21932-03	71-21932-04	71-21932-03		
68		Blower Support - Left	AE-58950-02	AE-58950-02	AE-58950-02	AE-58950-02		
69	Stk	Wheel	70-23589-01	70-23589-01	70-23589-01	70-23589-01		
70		Cut-Off Tabulation	AE-64401-05	AE-64401-05	AE-64401-05	AE-64401-05		

No.	Notes	MODEL TECHNICAL VARIATION DRIVE PACKAGE	RLNL-					
			A L/M					
MOTOR MOUNTING								
71		Blower Bracket	AE-101124-01					
72		Blower Bracket - Drive Side	AE-101124-04					
72a		Grommet (Flat)	56-18518-04					
72b		Cross Brace	AE-101467-01					
73		Motor Mount Assembly	AS-101340-01					

No.	Notes	MODEL TECHNICAL VARIATION COOLING CAPACITY ELECTRICAL DESIGNATION DRIVE PACKAGE	RLNL-	RLNL-	RLNL-	RLNL-	RLNL-	RLNL-
			A 048 C L	A 048 C M	A 048 D L	A 048 D M	A 048 Y L	A 048 Y M
BLOWER GROUP - BELT DRIVE								
35	Stk	Blower Relay	42-101208-01	42-101208-01	42-21571-04	42-21571-04	42-101208-01	42-101208-01
36	Stk	Blower Time Delay Relay (Sequencing Relay)	42-21593-03	42-21593-03	42-21593-03	42-21593-03	42-21593-03	42-21593-03
37	Stk	Blower Contactor	42-22464-01	42-22464-01	42-22464-01	42-22464-01	42-22464-01	42-22464-01
74	Stk	Blower Motor	51-42579-01	51-21909-01	51-42579-01	51-21909-01	51-22241-02	51-22241-02
75	Stk	Variable Pitch Sheave	71-40427-29	71-40427-25	71-40427-29	71-40427-25	71-40427-29	71-40427-25
76	Stk	Belt	71-40235-43	71-40235-43	71-40235-43	71-40235-43	71-40235-43	71-40235-43
62	Stk	Blower Assembly (Items 63-73, excluding Items 67 and 72b)	AS-101336-01	AS-101336-05	AS-101336-05	AS-101336-05	AS-101336-01	AS-101336-05
63		Housing	AS-101341-01	AS-101341-01	AS-101341-01	AS-101341-01	AS-101341-01	AS-101341-01
64	Stk	Bearing Frame Tri-Arm (2)	70-41723-03	70-41723-03	70-41723-03	70-41723-03	70-41723-03	70-41723-03
65	Stk	Ball Bearing and Cushion (2)	70-41911-01	70-41911-01	70-41911-01	70-41911-01	70-41911-01	70-41911-01
66	Stk	Blower Shaft	70-21933-02	70-21933-02	70-21933-02	70-21933-02	70-21933-02	70-21933-02
67	Stk	Fixed Pitch Sheave	71-21932-04	71-21932-03	71-21932-03	71-21932-03	71-21932-04	71-21932-03
68		Blower Support - Left	AE-58950-02	AE-58950-02	AE-58950-02	AE-58950-02	AE-58950-02	AE-58950-02
69	Stk	Wheel	70-23589-01	70-23589-01	70-23589-01	70-23589-01	70-23589-01	70-23589-01
70		Cut-Off Tabulation	AE-64401-05	AE-64401-05	AE-64401-05	AE-64401-05	AE-64401-05	AE-64401-05

No.	Notes	MODEL TECHNICAL VARIATION COOLING CAPACITY ELECTRICAL DESIGNATION DRIVE PACKAGE	RLNL-	RLNL-	RLNL-	RLNL-	RLNL-	RLNL-
			A 060 C L	A 060 C M	A 060 D L	A 060 D M	A 060 Y L	A 060 Y M
BLOWER GROUP - BELT DRIVE								
35	Stk	Blower Relay	42-101208-01	42-101208-01	42-21571-04	42-21571-04	42-101208-01	42-101208-01
36	Stk	Blower Time Delay Relay (Sequencing Relay)	42-21593-03	42-21593-03	42-21593-03	42-21593-03	42-21593-03	42-21593-03
37	Stk	Blower Contactor	42-22464-01	42-22464-01	42-22464-01	42-22464-01	42-22464-01	42-22464-01
74	Stk	Blower Motor	51-21909-01	51-41936-01	51-21909-01	51-41936-01	51-22241-02	51-22241-01
75	Stk	Variable Pitch Sheave	71-40427-29	71-40427-25	71-40427-29	71-40427-25	71-40427-29	71-40427-25
76	Stk	Belt	71-40235-42	71-40235-43	71-40235-42	71-40235-43	71-40235-42	71-40235-43
62	Stk	Blower Assembly (Items 63-73, excluding Items 67 and 72b)	AS-101336-05	AS-101336-05	AS-101336-05	AS-101336-05	AS-101336-05	AS-101336-05
63		Housing	AS-101341-01	AS-101341-01	AS-101341-01	AS-101341-01	AS-101341-01	AS-101341-01
64	Stk	Bearing Frame Tri-Arm (2)	70-41723-03	70-41723-03	70-41723-03	70-41723-03	70-41723-03	70-41723-03
65	Stk	Ball Bearing and Cushion (2)	70-41911-01	70-41911-01	70-41911-01	70-41911-01	70-41911-01	70-41911-01
66	Stk	Blower Shaft	70-21933-02	70-21933-02	70-21933-02	70-21933-02	70-21933-02	70-21933-02
67	Stk	Fixed Pitch Sheave	71-21932-03	71-21932-03	71-21932-03	71-21932-03	71-21932-03	71-21932-03
68		Blower Support - Left	AE-58950-02	AE-58950-02	AE-58950-02	AE-58950-02	AE-58950-02	AE-58950-02
69	Stk	Wheel	70-23589-01	70-23589-01	70-23589-01	70-23589-01	70-23589-01	70-23589-01
70		Cut-Off Tabulation	AE-64401-05	AE-64401-05	AE-64401-05	AE-64401-05	AE-64401-05	AE-64401-05

No.	Notes	MODEL TECHNICAL VARIATION DRIVE PACKAGE	RLNL-					
			A L/M					
MOTOR MOUNTING								
71		Blower Bracket	AE-101124-01					
72		Blower Bracket - Drive Side	AE-101124-04					
72a		Grommet (Flat)	56-18518-04					
72b		Cross Brace	AE-101467-01					
73		Motor Mount Assembly	AS-101340-01					

No.	Notes	MODEL Technical Variations Cooling Capacity	RLNL- A 036	RLNL- A 042	RLNL- A 048	RLNL- A 060
COIL GROUP						
EVAPORATOR COIL:						
80	Stk	Evaporator Coil (Before F4613)	AS-102260-03	AS-102351-03	AS-102352-03	AS-102353-03
80	Stk	Evaporator Coil (On or After F4613)	AS-102260-13	AS-102351-13	AS-102352-13	AS-102353-13
81		Top Air Stop	AE-58933-01	AE-58933-01	AE-58933-01	AE-58933-01
82		Top Coil Support	AE-58941-01	AE-58941-01	AE-58941-01	AE-58941-01
83	Stk	Indoor Coil Drain Pan	68-23559-01	68-23559-01	68-23559-01	68-23559-01
85		Filter Channels (Center is two channels back-to-back) (3)	AE-58934-01	AE-58934-01	AE-58934-01	AE-58934-01
		Filter Keeper	AE-59168-01	AE-59168-01	AE-59168-01	AE-59168-01
86		Filter - Disposable 16x25x1 (2)	54-17531-10	54-17531-10	54-17531-10	54-17531-10
88		Header Assembly	82-101745-01	82-101745-02	82-101745-02	82-101745-03
Important Note: Different manufacturers of TXV were used on this unit, and the exact part number must be used when making repair. To obtain the correct part number of TXV either: 1) Provide the part number of TXV assembly by examining unit, or 2) Provide unit model number and TXV manufacturer. (See attached TXV identification guide for assistance.)						
89	Stk	TXV (Sporlan)	61-102257-01	61-102257-02	61-102257-03	61-102257-04
89	Stk	TXV (Emerson)	61-102258-01	61-102258-02	61-102258-03	61-102258-04
CONDENSER COIL:						
84	Stk	Condenser Coil	AS-101714-03	AS-101715-01	AS-101716-01	AS-101717-01

No.	Notes	MODEL TECHNICAL VARIATION COOLING CAPACITY ELECTRICAL DESIGNATION	RLNL- A 036 C	RLNL- A 036 D	RLNL- A 036 J	RLNL- A 036 Y
COMPRESSOR GROUP						
		Compressor ID:	7524	7528	7520	7725
79	Stk	Compressor	55-102045-05S	55-102045-04S	55-102045-03S	55-102045-32S
33	Stk	Capacitor - Fan/Compressor	N/A	N/A	43-26271-41	N/A
	Stk	Compressor Wiring Harness (Molded Plug)	45-100834-80	45-100834-80	45-100834-80	45-100834-80

No.	Notes	MODEL TECHNICAL VARIATION COOLING CAPACITY ELECTRICAL DESIGNATION	RLNL- A 042 C	RLNL- A 042 D	RLNL- A 042 J	RLNL- A 048 C
COMPRESSOR GROUP						
		Compressor ID:	7525	7529	7521	7526
79	Stk	Compressor	55-102045-16S	55-102045-25S	55-102045-12S	55-102045-11S
33	Stk	Capacitor - Fan/Compressor	N/A	N/A	43-26271-41	N/A
	Stk	Compressor Wiring Harness (Molded Plug)	45-100834-80	45-100834-80	45-100834-80	45-100834-80

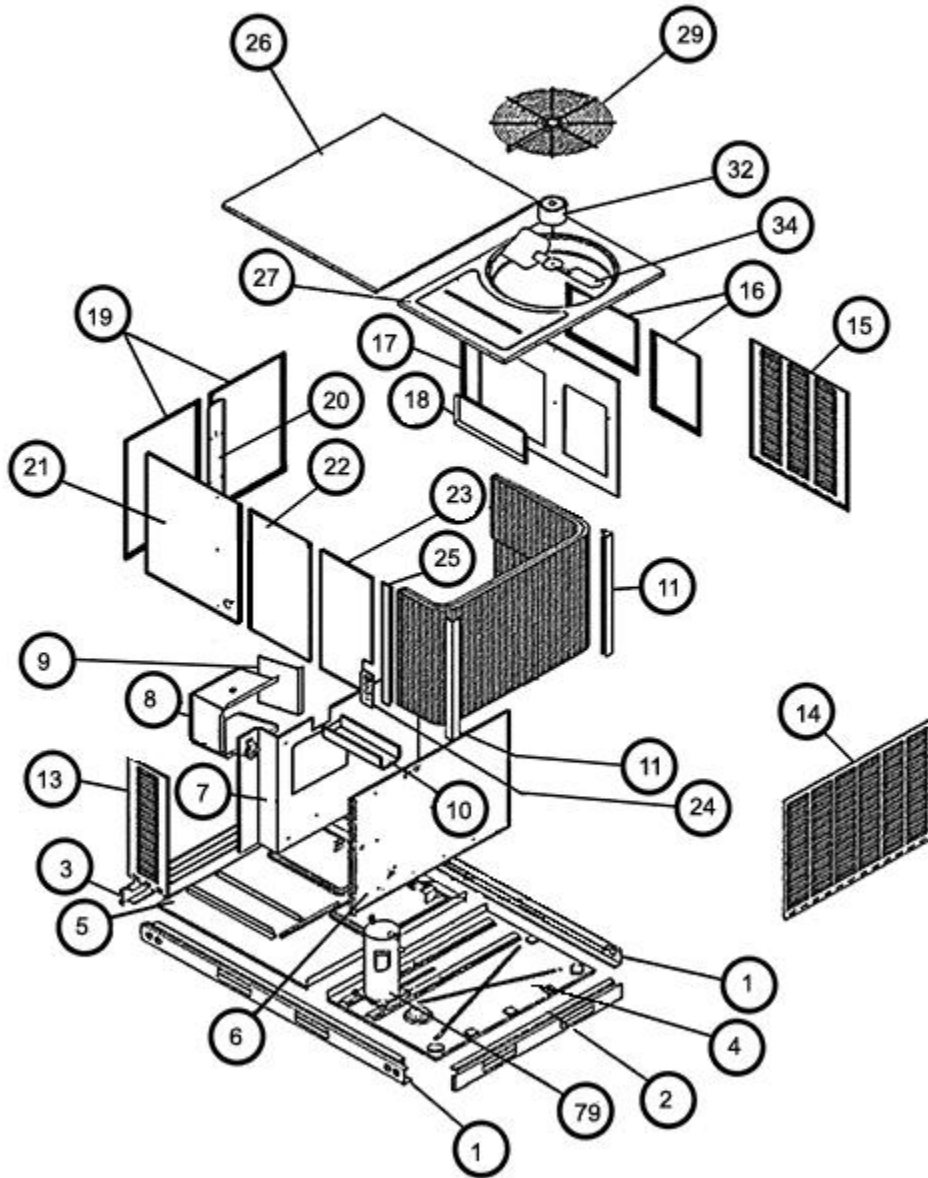
No.	Notes	MODEL TECHNICAL VARIATION COOLING CAPACITY ELECTRICAL DESIGNATION	RLNL- A 048 D	RLNL- A 048 J	RLNL- A 048 Y	RLNL- A 060 C
COMPRESSOR GROUP						
		Compressor ID:	7530	7522	7726	7527
79	Stk	Compressor	55-102045-10S	55-102045-09S	55-102045-29S	55-102045-22S
33	Stk	Capacitor - Fan/Compressor	N/A	43-26261-43	N/A	N/A
	Stk	Compressor Wiring Harness (Molded Plug)	45-100834-80	45-100834-80	45-100834-80	45-100834-80

No.	Notes	MODEL TECHNICAL VARIATION COOLING CAPACITY ELECTRICAL DESIGNATION	RLNL- A 060 D	RLNL- A 060 J	RLNL- A 060 Y	
COMPRESSOR GROUP						
		Compressor ID:	7531	7523	7727	
79	Stk	Compressor	55-102045-23S	55-102045-13S	55-102045-30S	
33	Stk	Capacitor - Fan/Compressor	N/A	43-101665-30	N/A	
	Stk	Compressor Wiring Harness (Molded Plug)	45-100834-80	45-100834-80	45-100834-80	

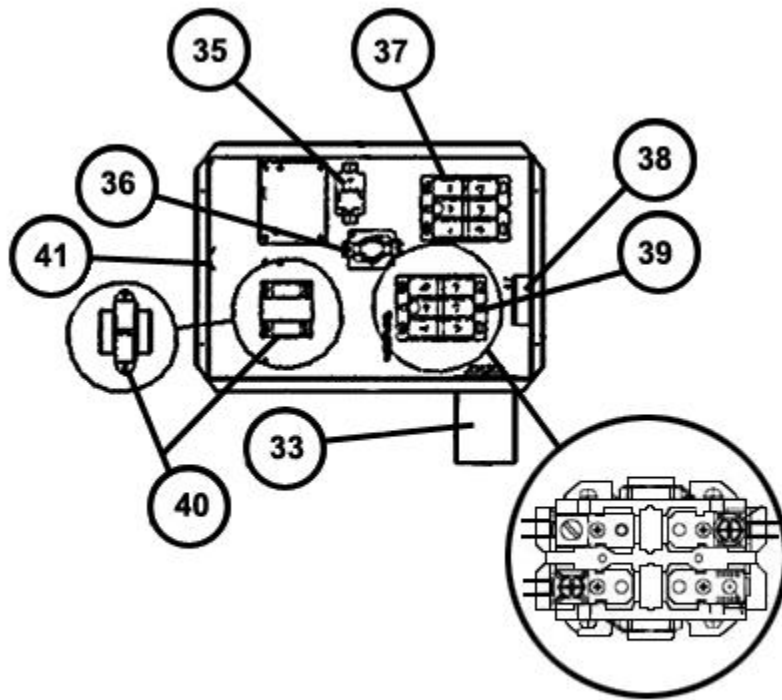
No.	Notes	MODEL TECHNICAL VARIATION COOLING CAPACITY ELECTRICAL DESIGNATION DRIVE PACKAGE	RLNL- A 036-048 C K/L/M	RLNL- A 060 C K	RLNL- A 060 C L/M	RLNL- A 036-048 D K/L/M
HEATER KITS						
		Heater Kit	RXJJ-A06C	RXJJ-A06C	RXJJ-A06C	RXJJ-A06D
		Heater Kit	RXJJ-A10C	RXJJ-A10C	RXJJ-A10C	RXJJ-A10D
		Heater Kit (Canada Only)	RXJJ-A11C	RXJJ-A11C	RXJJ-A11C	RXJJ-A11D
		Heater Kit	RXJJ-A12C	RXJJ-A12C	RXJJ-A12C	RXJJ-A12D
		Heater Kit	RXJJ-A15C	RXJJ-A15C	RXJJ-A15C	RXJJ-A15D
		Heater Kit	RXJJ-A20C	RXJJ-A20C	RXJJ-A20C	RXJJ-A20D
		Heater Kit (Canada Only)	RXJJ-A21C	RXJJ-A21C	RXJJ-A21C	RXJJ-A21D
		Heater Kit	N/A	N/A	RXJJ-A24C	N/A

No.	Notes	MODEL TECHNICAL VARIATION COOLING CAPACITY ELECTRICAL DESIGNATION DRIVE PACKAGE	RLNL- A 060 D K/L/M	RLNL- A 036-060 J K		
HEATER KITS						
		Heater Kit	RXJJ-A06D	RXJJ-A06J		
		Heater Kit	RXJJ-A10D	RXJJ-A10J		
		Heater Kit (Canada Only)	RXJJ-A11D	RXJJ-A11J		
		Heater Kit	RXJJ-A12D	RXJJ-A12J		
		Heater Kit	RXJJ-A15D	RXJJ-A15J		
		Heater Kit	RXJJ-A20D	RXJJ-A20J		
		Heater Kit (Canada Only)	RXJJ-A21D	RXJJ-A21J		
		Heater Kit	RXJJ-A24D	N/A		

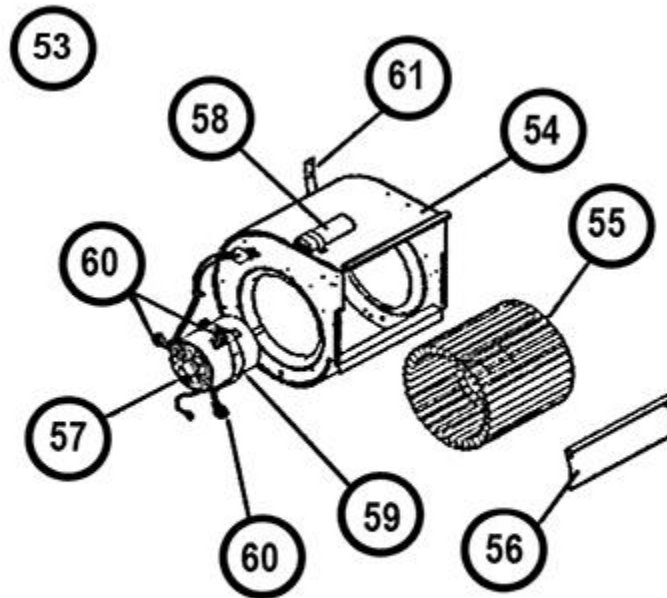
No.	Notes	MODEL TECHNICAL VARIATION COOLING CAPACITY	RLNL- A ALL			
ACCESSORIES						
		Economizer - Fully Modulating with single enthalpy (Green)	RXRD-MECM3			
		Economizer - Fully Modulating with single enthalpy (Gray)	AXRD-MECM3			
		Dual Enthalpy Upgrade Kit	RXR-AR02			
		CO2 Sensor	RXR-AR02			
		Power Exhaust - C Voltage (Green)	RXR-BGF04C			
		Power Exhaust - C Voltage (Gray)	AXR-BGF04C			
		Power Exhaust - D Voltage (Green)	RXR-BGF04D			
		Power Exhaust - D Voltage (Gray)	AXR-BGF04D			
		Louver Kit (3 Sides) - Green	RXR-AAD01B			
		Louver Kit (3 Sides) - Gray	AXR-AAD01B			
		Time Delay	RXMD-B01			
		Low Ambient Control	RXRZ-B01			
		Low Pressure Control	RXAC-C01			
		High Pressure Control	RXAB-E01			
		Fresh Air Damper - Manual (Green)	RXRF-FBA1			
		Fresh Air Damper - Manual (Gray)	AXRF-FBA1			
		Fresh Air Damper - Motorized (Green)	RXRF-FBB1			
		Fresh Air Damper - Motorized (Gray)	AXRF-FBB1			



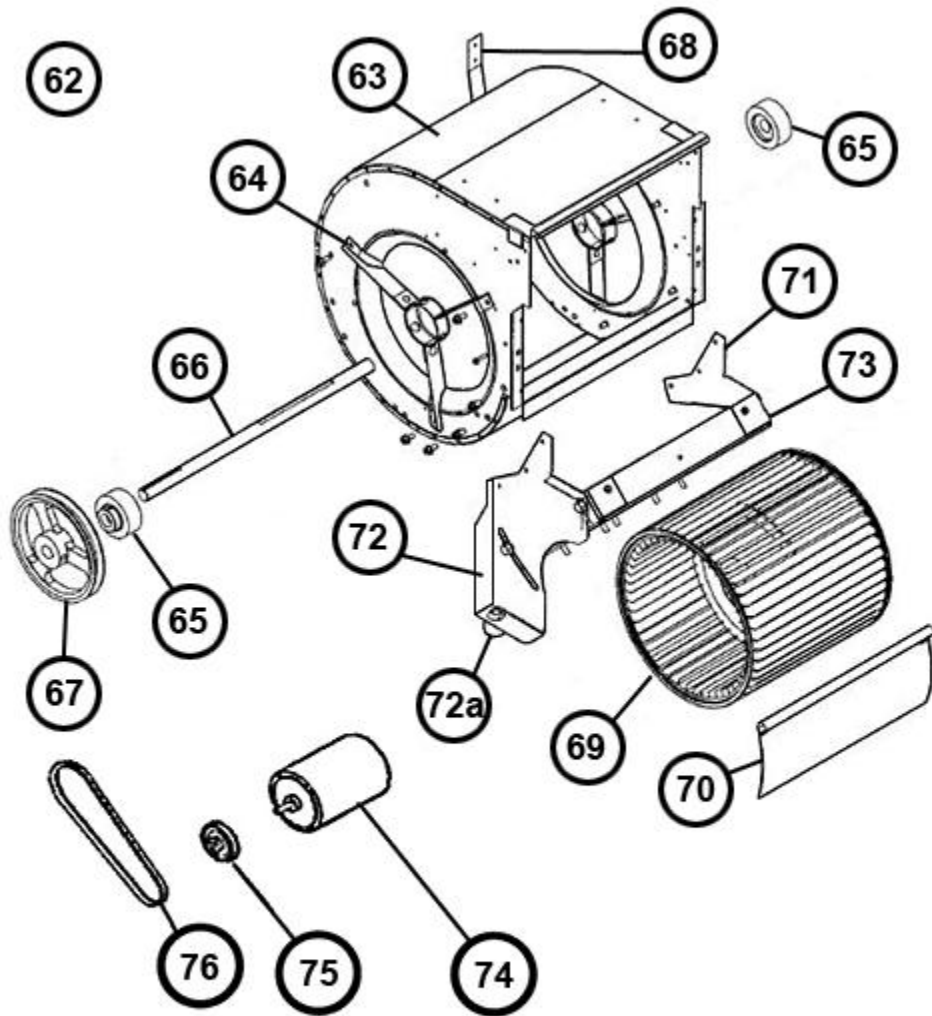
Exploded View



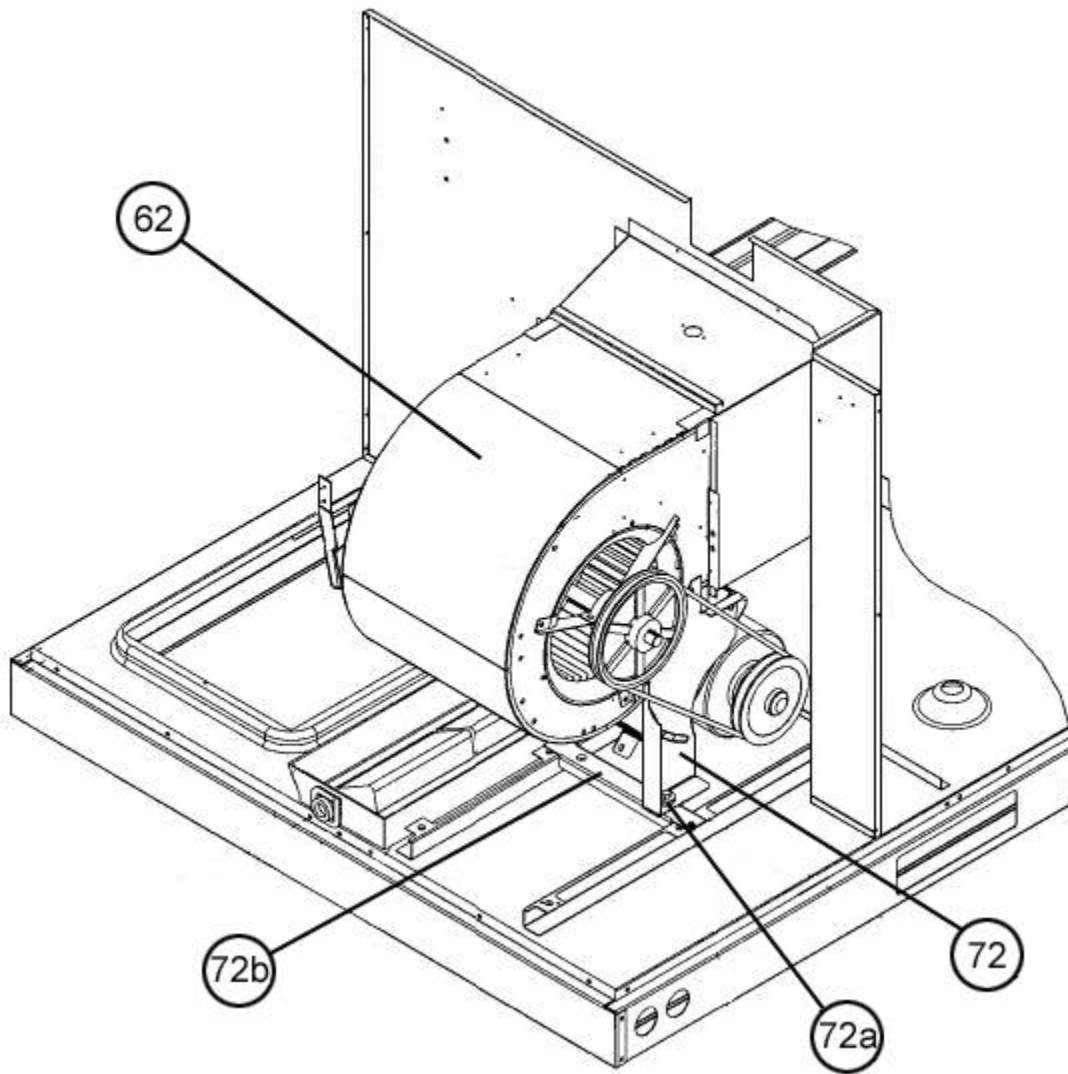
Control Box



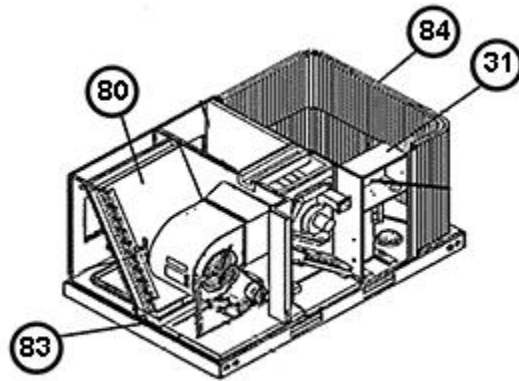
Blower Assembly - Direct Drive



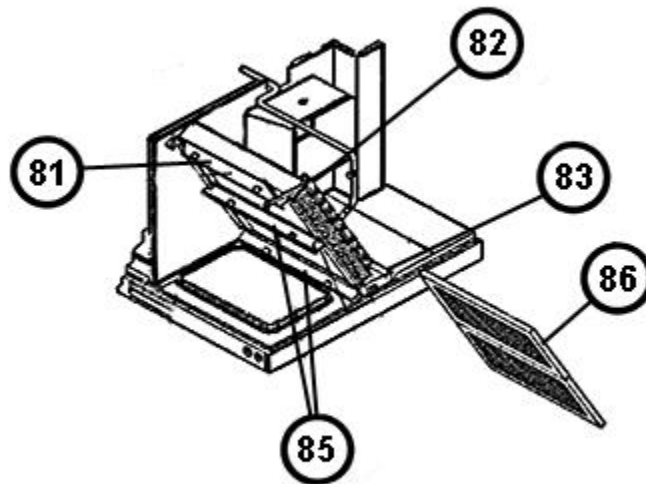
Blower Assembly - Belt Drive



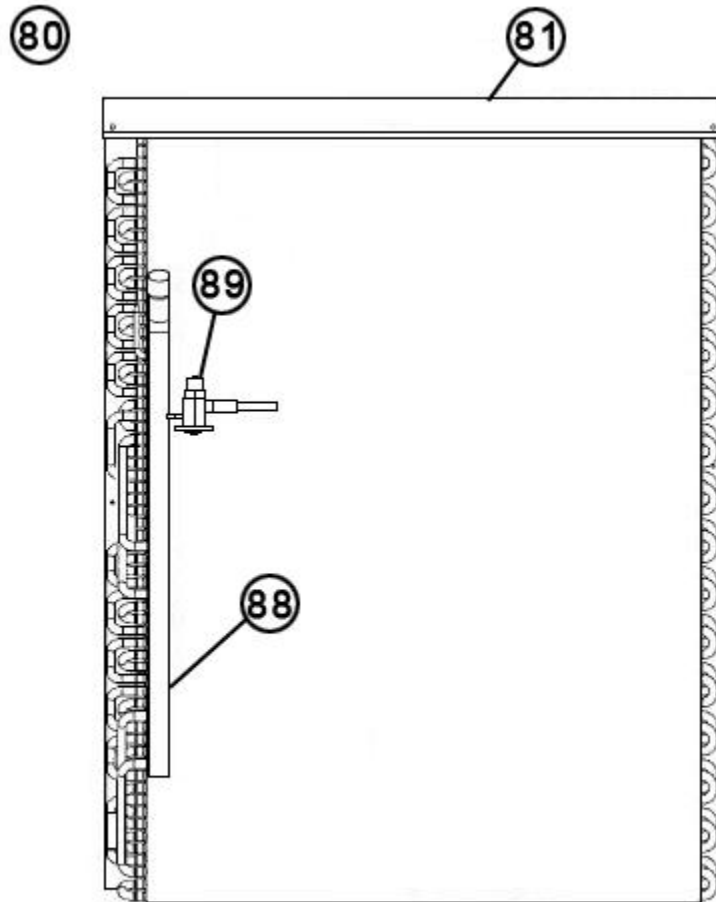
Blower Motor Mount Assembly - Belt Drive



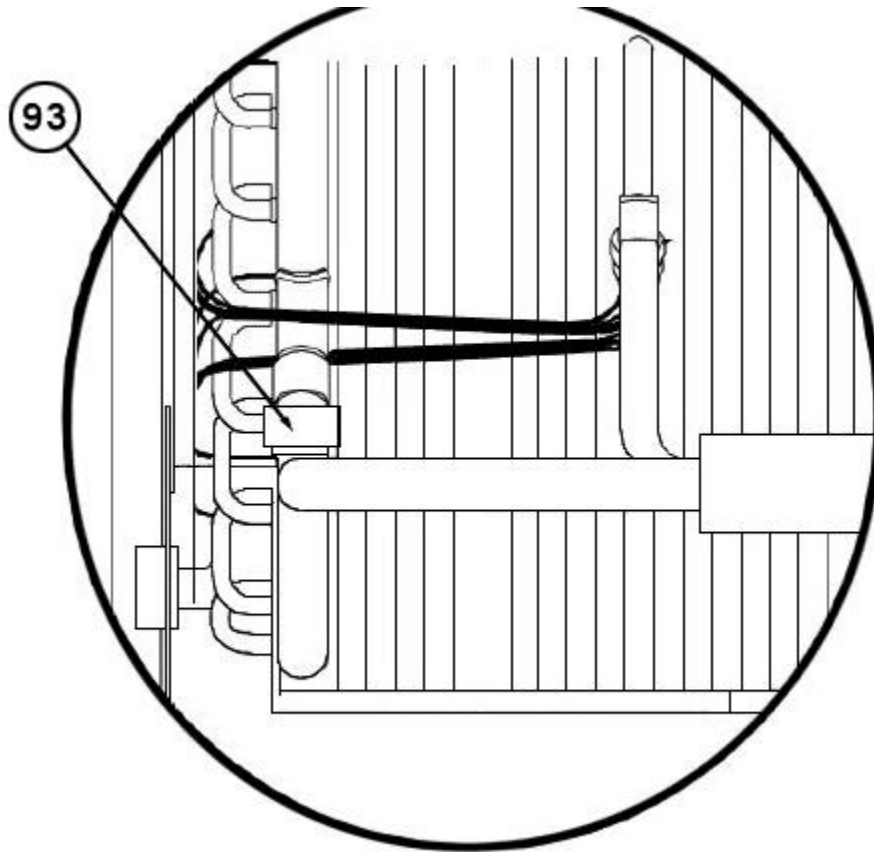
Coil Group Cut-away View



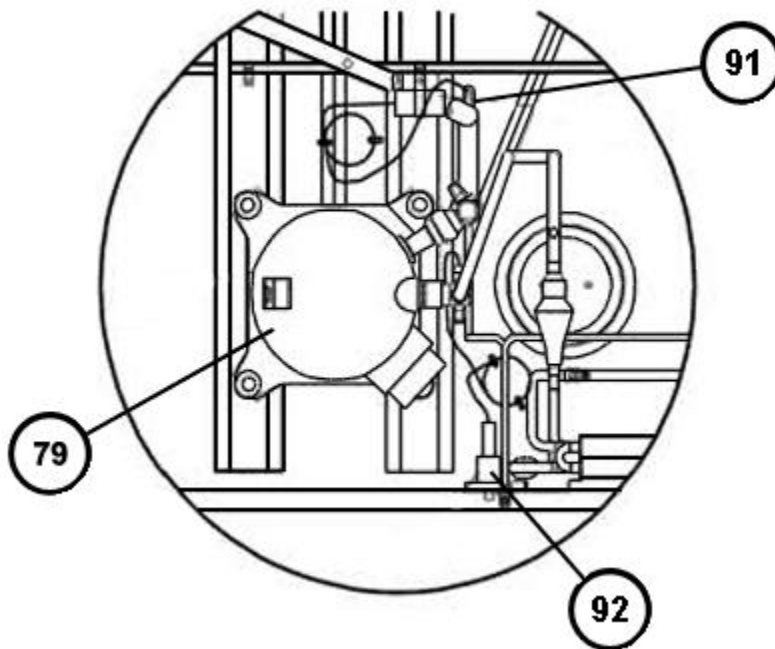
Evaporator Coil - Filter Parts



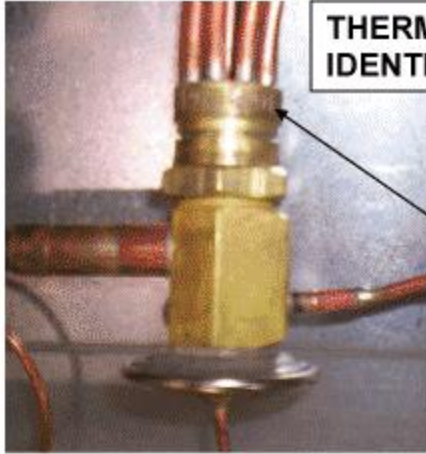
Evaporator Coil Parts



Freeze Stat Control



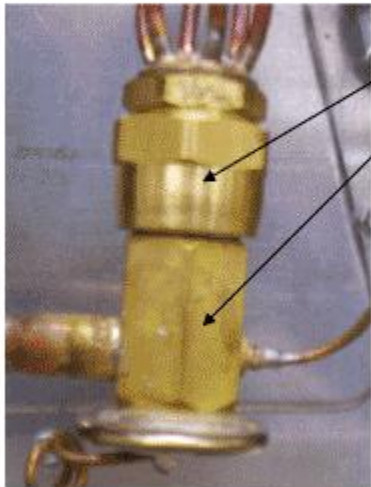
Compressor - Refrigeration Group



THERMAL EXPANSION VALVE MANUFACTURER IDENTIFICATION (For "N" Style Indoor Coils ONLY)

Sporlan Expansion Valves

Look for the name "SPORLAN" engraved on the base at the distributor body assembly.



Parker Expansion Valves

The distributor body is larger (thicker) than the expansion valve body.



Emerson Expansion Valves

The expansion valve body is about two (2) inches long. Look between the arrows.

IMPORTANT NOTE:

To obtain the correct replacement TXV you must either:

- 1. Provide the EXACT TXV part number obtained by examining the unit.**
- 2. Provide a) The unit model number and b) the TXV manufacturer (determined by using this guide).**

TXV Identification Guide

NOTES

Stk It is recommended that stock be maintained for this part.
N/A Not Applicable

DISCLAIMER: This document is intended to provide general replacement parts information to aid qualified service personnel in the repair of these models. The complete Model and Serial Number of the unit under repair should be specified when selecting and ordering replacement parts. Specifications and illustrations are subject to change without notice. Document 92-42800-RLNL-A supersedes all previous parts lists for these models. See <http://www.rheempartslists.net/92-42800-RLNL-A> for the latest revision of this document. The manufacturer assumes no obligation for errors or omissions. Service personnel must verify the proper and safe operation of equipment after the replacement of any original components.