



RLKN-B

Parts List
11-October-2016



*This parts list is current as of the above revision date.
See <http://www.rheempartslists.net/92-42800-RLKN-B.pdf> for the current revision.*

Package Air Conditioners - Commercial

Table of Contents

Model Explanation.....	Page 3
Parts Numbers	
Panels - Miscellaneous 072.....	Page 4
Electrical Group 072.....	Page 5
Fan Group 072.....	Page 5
Blower Group 072.....	Page 6
Coil Parts 072.....	Page 7
Compressor Group 072.....	Page 7
Heater Kits 072.....	Page 8
Accessories 072.....	Page 8
Drawings/Photographs	
Exploded View 072.....	Page 9
Top-Panel 072.....	Page 10
Side Panels 072.....	Page 11
Top Interior 072.....	Page 12
Blower Assembly - Belt Drive 072.....	Page 13
Control Box 072.....	Page 14
Blower Motor Mount Assembly - Belt Drive 072.....	Page 15
Plate Disconnect and Receptacle 072.....	Page 16
Evaporator Coil Filter.....	Page 17
Condenser and Coil Pads 072.....	Page 18
Compressor - Refrigeration Group 072.....	Page 19
Notes/Disclaimer.....	Page 20

MODEL NUMBER EXPLANATION

R	L	K	N	-	B	072	C	L	000	AA	F
1	2	3	4		5	6	7	8	9	10	11

- | | | |
|---|---|--|
| <p>1 TRADE NAME</p> <p>2 L = PACKAGE AIR CONDITIONER
Commercial</p> <p>3 EFFICIENCY DESIGNATION</p> <p>4 DESIGN SERIES
N = R-410A</p> <p>5 TECHNICAL VARIATION
B = First Design Series</p> <p>6 COOLING CAPACITY (BTUH)
072 = 72,000</p> <p>7 ELECTRICAL DESIGNATION
C = 208-230/3/60
D = 460/3/60
Y = 575/3/60
N = 380-415/3/50
P = 200-220V/3/50</p> | <p>8</p> <p>9</p> <p>10</p> <p>11</p> | <p>DRIVE PACKAGE
L = Belt Drive
M = Belt Drive - High Static</p> <p>ELECTRIC HEAT- (Resistance Heat)
000 = No Resistance Heat
006 = 6 kW Resistance Heat
010 = 10 kW Resistance Heat
015 = 15 kW Resistance Heat
020 = 20 kW Resistance Heat
024 = 24 kW Resistance Heat</p> <p>OPTION CODES
AA = No Options</p> <p>ECONOMIZER OPTIONS</p> |
|---|---|--|

SERIAL NUMBER EXPLANATION

F	0	8	1	3	9	9	9	9
(1)	(2)		(3)		(4)			

- (1) **PLANT CODE**
F = Fort Smith, AR
- (2) **WEEK OF PRODUCTION**
- (3) **YEAR OF PRODUCTION**
- (4) **PRODUCTION NUMBER**

Note: For Compressor Identification Number, see Compressor Code on Rating Plate

No.	Notes	MODEL TECHNICAL VARIATION COOLING CAPACITY	RLKN- B 072
PANELS, MISCELLANEOUS PARTS			
1		Base Rail - Side (2)	AE-58900-02
2		Base Rail - Condenser End	AE-58901-01
3		Base Rail - Evaporator End	AE-58902-01
4		Outdoor Coil Base Pan	AS-59051-03H
5		Indoor Coil Base Pan	AS-58910-06
7		Condenser Bulkhead (Does not include Limit Baffle or Tube Support Angles)	AS-103276-02
8		Blower Bulkhead (Does not include Tube Support Angle, Blower ExtensionS, or Insulation Retainer)	AS-103385-01
9		Blower Extension - Front	AE-58928-01
10		Blower Extension - Back	AE-58928-02
		Insulation Retainer	AE-59059-01
11		Wire Chase Insulation Assembly	AS-103291-01
12a		Corner Post (2)	AS-58965-01H
12b		Front Post	AS-58967-01H
13		Stripping (Front Post)	AE-58897-11
14		Louvered Panel	See Accessories
15		Louvered Panel	See Accessories
16		Louvered Panel	See Accessories
17a		Supply Panel	AS-58992-01HT
17b		Return Panel	AS-58992-03HT
18		Rear Panel (Includes Insulation, Filler Panel, and Stripping)	AS-58976-02H
19		Filler Panel - Return Air	AS-58974-02H
		Filler Panel Stripping	AE-58897-43
20		Blower/Filter Access Panels (2)	AS-58990-01H
21		Post - Left End	AS-58973-01H
22		Front Panel	AS-59132-05H
23		Grommet	56-22114-06
24		Electric Heat Access Panel	AS-58987-04H
25		Electric Heat Blockoff Plate (for units with no heat)	AE-59123-02
26		Control Box Access Panel	AS-103284-01H
27a		Control Box Insert Panel	AS-103283-01H
27b		Disconnect Plate	AS-90756-05H
27c		Receptacle Plate	AS-90756-02H
27d		Button Plug	45-22980-09
27e		Star Bushing	45-18515-01
28		Post - Front	AS-103288-01H
29		Indoor Coil Top Panel Assembly	AS-58979-02H
30a		Condenser Top Panel Assembly	AS-58981-01H
30b		Condenser Top Support	AE-58980-01
32		Wire Grille	95-101660-01
34a		Control Box Top	AE-103282-01
34b		Control Box (w/o components)	AS-103281-01

No.	Notes	MODEL TECHNICAL VARIATION COOLING CAPACITY ELECTRICAL DESIGNATION	RLKN- B 072 C	RLKN- B 072 D	RLKN- B 072 Y
ELECTRIC GROUP					
CONTROL BOX COMPONENTS:					
37		Capacitor - Fan Motor	See Fan Group		
39		Compressor Time Delay Relay	See Accessories		
40a		Compressor Contactor	See Compressor Group		
40b	Stk	Blower Contactor	42-102664-08	42-102664-08	42-102664-08
41		Relay - Blower	42-101208-01	42-101208-01	42-101208-01
42		Ground Lug	45-19000-01	45-19000-01	45-19000-01
43a	Stk	Transformer	46-103324-04	46-103324-02	46-103324-03
43b		Button Plug	45-22980-09	45-22980-09	45-22980-09
43c		Low Voltage Shield	AE-103285-01	AE-103285-01	AE-103285-01
44		Terminal Strip	45-23591-01	45-23591-01	45-23591-01
MISCELLANEOUS:					
	Stk	Fuse - 3 amp	44-101986-01	44-101986-01	44-101986-01
		Wiring Harness - Twist Loc (6 pin to 5 strip leads, 3 strip leads to 3 strip leads)	45-102819-01	45-102819-01	45-102819-01
		Wiring Harness - Economizer (12 pin)	45-42522-109	45-42522-109	45-42522-109
		Low Ambient Control	See Accessories		
50		Low Pressure Control	See Compressor Group		
51		High Pressure Control	See Compressor Group		

No.	Notes	MODEL TECHNICAL VARIATION COOLING CAPACITY ELECTRICAL DESIGNATION	RLKN- B 072 C	RLKN- B 072 D	RLKN- B 072 Y
FAN GROUP					
35	Stk	Fan Motor	51-100998-13	51-100998-12	51-100998-28
36	Stk	Fan Blade	70-42484-01	70-42484-01	70-42484-01
37	Stk	Capacitor - Fan Motor	43-100496-12	43-100496-12	43-100496-11

No.	Notes	MODEL	RLKN-	RLKN-	RLKN-	RLKN-	RLKN-	RLKN-
		TECHNICAL VARIATION	B	B	B	B	B	B
		COOLING CAPACITY	072	072	072	072	072	072
		ELECTRICAL DESIGNATION	C	C	D	D	Y	Y
		DRIVE PACKAGE	L	M	L	M	L	M
BLOWER GROUP - BELT DRIVE								
62	Stk	Blower Assembly (Items 63-73, Excluding Cross Brace)	AS-101336-03	AS-101336-03	AS-101336-03	AS-101336-03	AS-101336-03	AS-101336-03
63		Housing	AS-101342-01	AS-101342-01	AS-101342-01	AS-101342-01	AS-101342-01	AS-101342-01
64		Bearing Frame Tri-Arm (2)	70-41723-02	70-41723-02	70-41723-02	70-41723-02	70-41723-02	70-41723-02
65	Stk	Ball Bearing And Cushion (2)	70-41911-01	70-41911-01	70-41911-01	70-41911-01	70-41911-01	70-41911-01
66	Stk	Blower Shaft	70-21933-02	70-21933-02	70-21933-02	70-21933-02	70-21933-02	70-21933-02
67	Stk	Fixed Pitch Sheave	71-21932-03	71-21932-03	71-21932-03	71-21932-03	71-21932-03	71-21932-03
68		Blower Support - Left	AE-58950-03	AE-58950-03	AE-58950-03	AE-58950-03	AE-58950-03	AE-58950-03
69	Stk	Blower Wheel	70-21773-01	70-21773-01	70-21773-01	70-21773-01	70-21773-01	70-21773-01
70		Cut-Off Tabulation	AE-64401-18	AE-64401-18	AE-64401-18	AE-64401-18	AE-64401-18	AE-64401-18

No.	Notes	MODEL	RLKN-	RLKN-	RLKN-	RLKN-	RLKN-	RLKN-
		TECHNICAL VARIATION	B	B	B	B	B	B
		COOLING CAPACITY	072	072	072	072	072	072
		ELECTRICAL DESIGNATION	C	C	D	D	Y	Y
		DRIVE PACKAGE	L	M	L	M	L	M
BLOWER MOTOR MOUNTING - BELT DRIVE								
MOTOR MOUNTING:								
71		Blower Bracket	AE-101124-05	AE-101124-05	AE-101124-05	AE-101124-05	AE-101124-05	AE-101124-05
72		Blower Bracket - Drive Side	AE-101124-03	AE-101124-03	AE-101124-03	AE-101124-03	AE-101124-03	AE-101124-03
72a		Grommet	56-18518-04	56-18518-04	56-18518-04	56-18518-04	56-18518-04	56-18518-04
72b		Cross Brace	AE-101467-01	AE-101467-01	AE-101467-01	AE-101467-01	AE-101467-01	AE-101467-01
73		Motor Mount Assembly	AS-101340-01	AS-101340-01	AS-101340-01	AS-101340-01	AS-101340-01	AS-101340-01

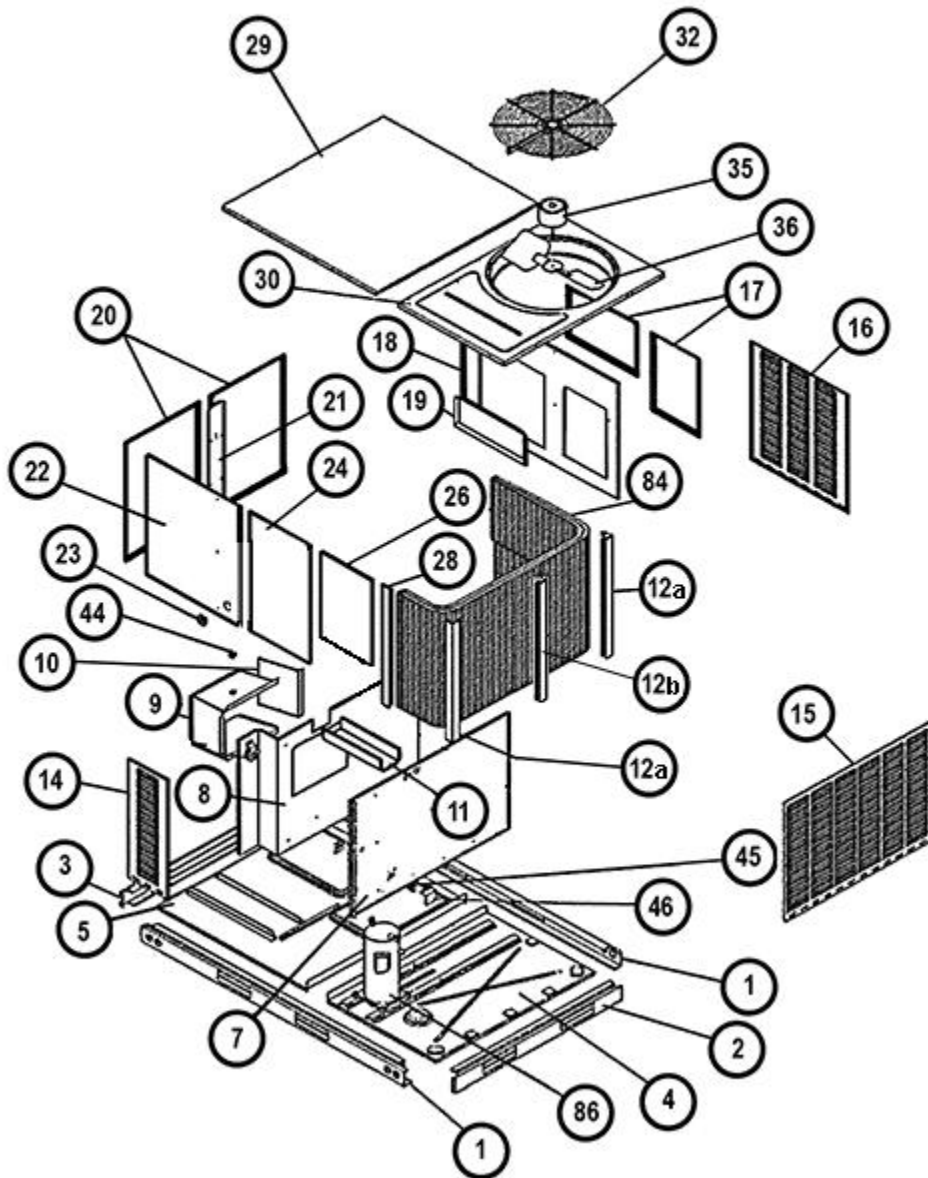
No.	Notes	MODEL	RLKN-	RLKN-	RLKN-	RLKN-	RLKN-	RLKN-
		TECHNICAL VARIATION	B	B	B	B	B	B
		COOLING CAPACITY	072	072	072	072	072	072
		ELECTRICAL DESIGNATION	C	C	D	D	Y	Y
		DRIVE PACKAGE	L	M	L	M	L	M
BLOWER MOTOR GROUP - BELT DRIVE								
74		Blower Motor	51-41936-02	51-41936-02	51-41936-02	51-41936-02	51-42177-10	51-42177-10
75		Variable Pitch Sheave	71-40427-29	71-40427-25	71-40427-29	71-40427-25	71-40427-29	71-40427-25
76		Belt	71-40235-42	71-40235-43	71-40235-42	71-40235-43	71-40235-42	71-40235-43

No.	Notes	MODEL TECHNICAL VARIATION COOLING CAPACITY ELECTRICAL DESIGNATION	RLKN- B 072 C	RLKN- B 072 D	RLKN- B 072 Y
COIL GROUP					
		Filter Keeper	AE-59168-01	AE-59168-01	AE-59168-01
EVAPORATOR COIL:					
77	Stk	Evaporator Coil - Coil Frame Assembly (includes Frame Sides, Angle, Frame Bottom and Top Air Stop)	AS-104531-03	AS-104531-03	AS-104531-03
	Stk	TXV - Sporlan	61-102211-42	61-102211-42	61-102211-42
80		Top Air Stop	AE-58933-02	AE-58933-02	AE-58933-02
81		Top Coil Support	AE-58941-01	AE-58941-01	AE-58941-01
82		Filter Channels (3) Center Is Two Channels Back To Back	AE-58934-03	AE-58934-03	AE-58934-03
83		Indoor Coil Drain Pan	68-23559-02	68-23559-02	68-23559-02
CONDENSER COIL:					
84	Stk	Condenser Coil	AS-104518-01	AS-104518-01	AS-104518-01
84a		Pad - Bottom Coil	68-104248-03 (5)	68-104248-03 (5)	68-104248-03 (5)
84b		Coil Filler Plate (2)	AS-104545-03H	AS-104545-03H	AS-104545-03H
84c		Stripping	68-42246-06	68-42246-06	68-42246-06
	Stk	Filter Drier	83-22755-10	83-22755-10	83-22755-10
85		Filter - Disposable (4)	54-17531-24	54-17531-24	54-17531-24

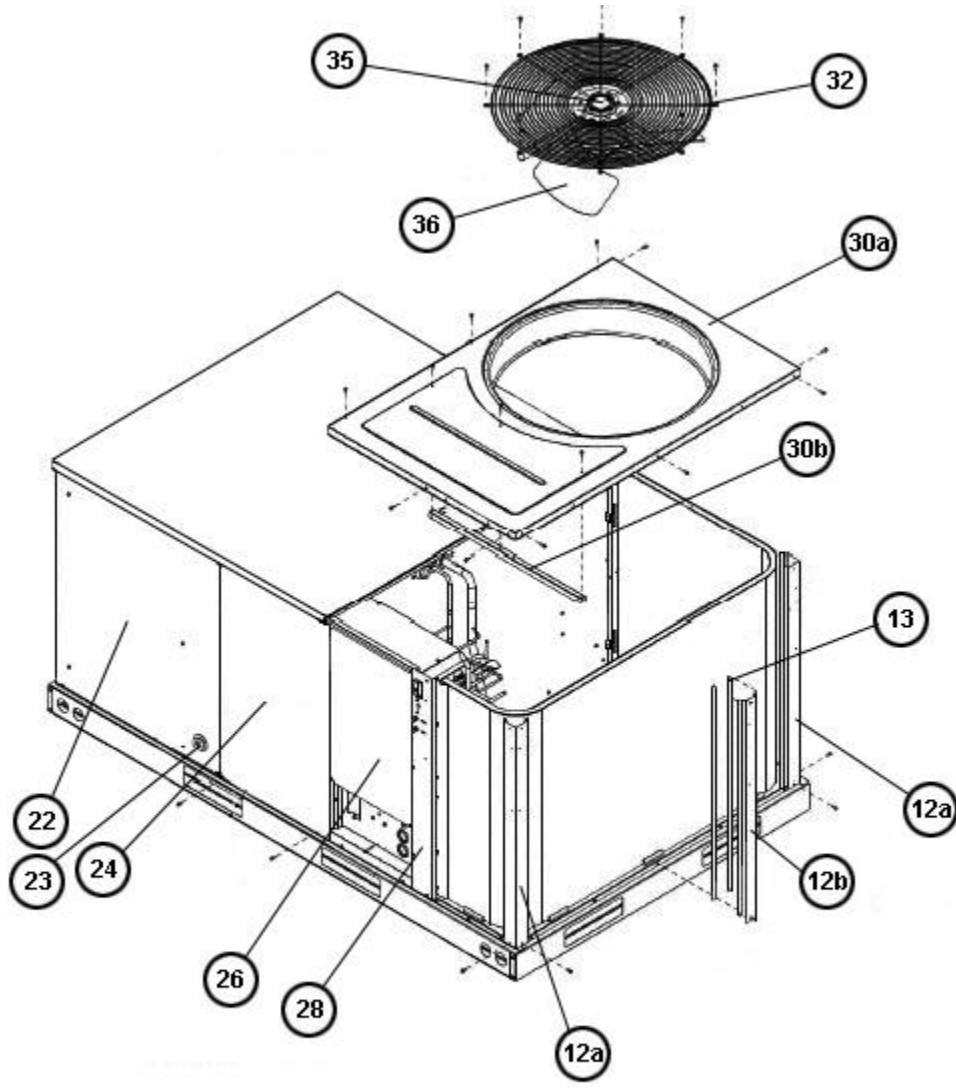
No.	Notes	MODEL TECHNICAL VARIATION COOLING CAPACITY ELECTRICAL DESIGNATION	RLKN- B 072 C	RLKN- B 072 D	RLKN- B 072 Y
COMPRESSOR GROUP					
Compressor ID:			8958	8959	8960
86	Stk	Compressor	55-102471-21S	55-102471-22S	55-102471-23S
40	Stk	Contactator	42-102664-08	42-102664-08	42-102664-08
	Stk	Compressor Wiring Harness - Molded Plug	45-100834-10	45-100834-10	45-100834-10
50		Low Pressure Control	47-102240-03	47-102240-03	47-102240-03
51		High Pressure Control	47-23699-04	47-23699-04	47-23699-04

No.	Notes	MODEL TECHNICAL VARIATION COOLING CAPACITY ELECTRICAL DESIGNATION DRIVE PACKAGE	RLKN- B 072 C L/M	RLKN- B 072 D L/M	RLKN- B 072 Y L/M
HEATER KITS					
		Electric Element Kits - Option	RXJJ-A06C	RXJJ-A06D	N/A
		Electric Element Kits - Option	RXJJ-A10C	RXJJ-A10D	N/A
		Electric Element Kits - Option	RXJJ-A15C	RXJJ-A15D	RXJJ-A15Y
		Electric Element Kits - Option	RXJJ-A20C	RXJJ-A20D	RXJJ-A20Y
		Electric Element Kits - Option	RXJJ-A24C	RXJJ-A24D	RXJJ-A24Y

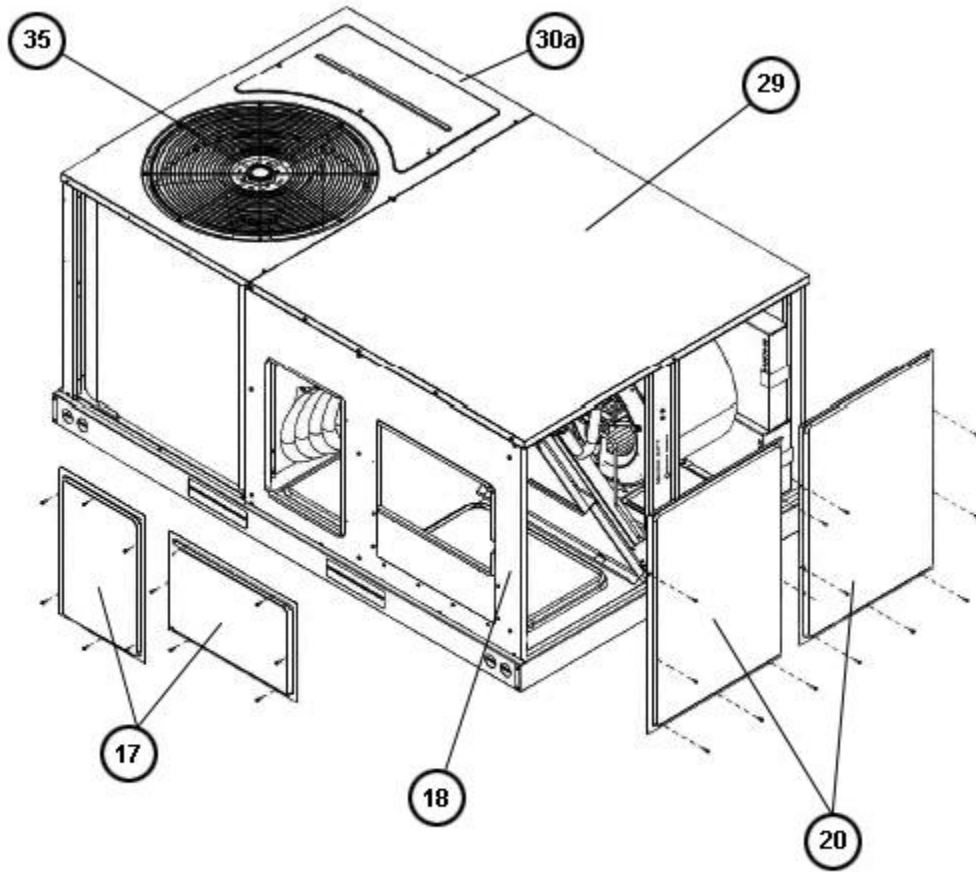
No.	Notes	MODEL TECHNICAL VARIATION COOLING CAPACITY			RLKN- B 072
OPTIONS AND ACCESSORIES					
		Economizer - Downflow/Horizontal, Single Enthalpy			RXRD-MCCM3
		Dual Enthalpy Upgrade Kit			RXRX-AV02
		CO2 Sensor			RXRX-AR02
		Power Exhaust (C,D,Y voltages)			RXRX-BGF03
		Louver Kit (3 Sides)			RXRX-AAD01B
		Time Delay - Compressor			RXMD-B04
		Low Ambient Control			RXRZ-A85
		Fresh Air Damper - Manual			RXRF-FCA1
		Fresh Air Damper - Motorized			RXRF-FCB1



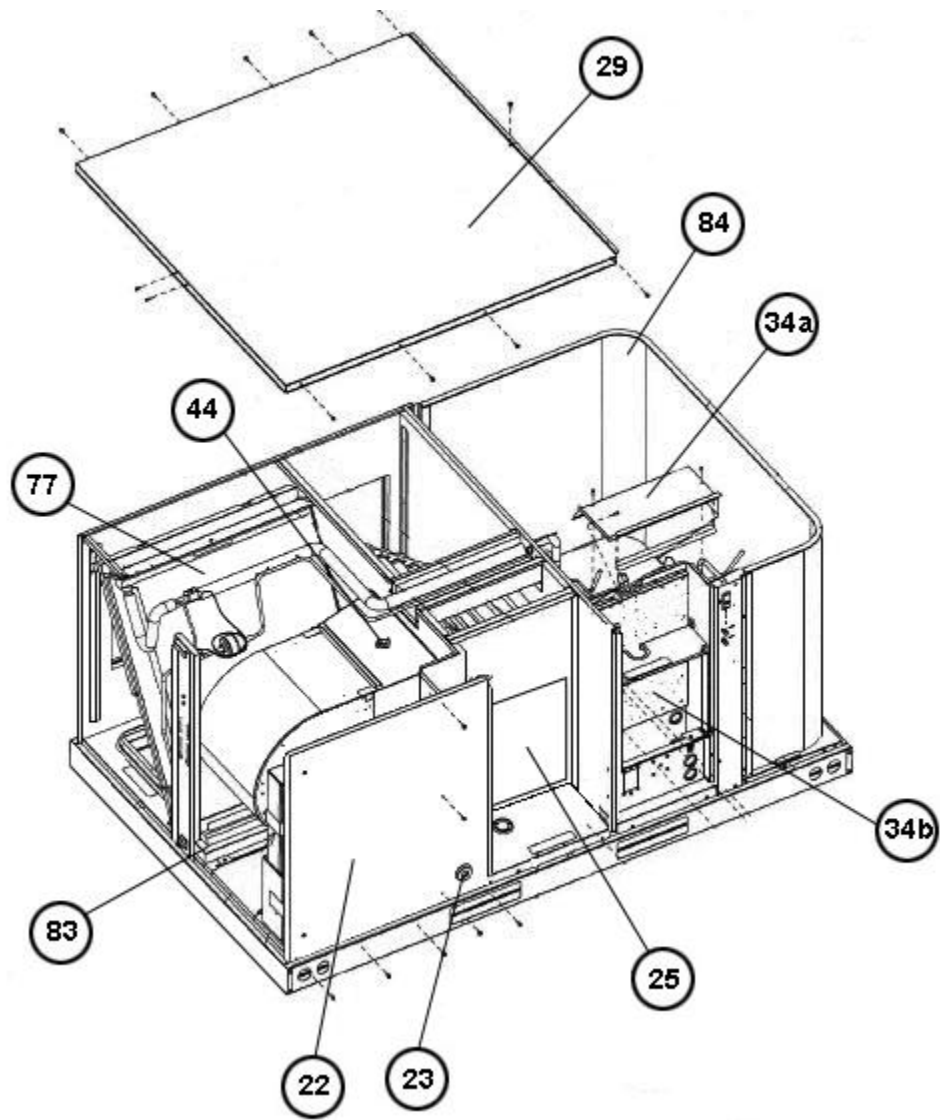
Exploded View 072



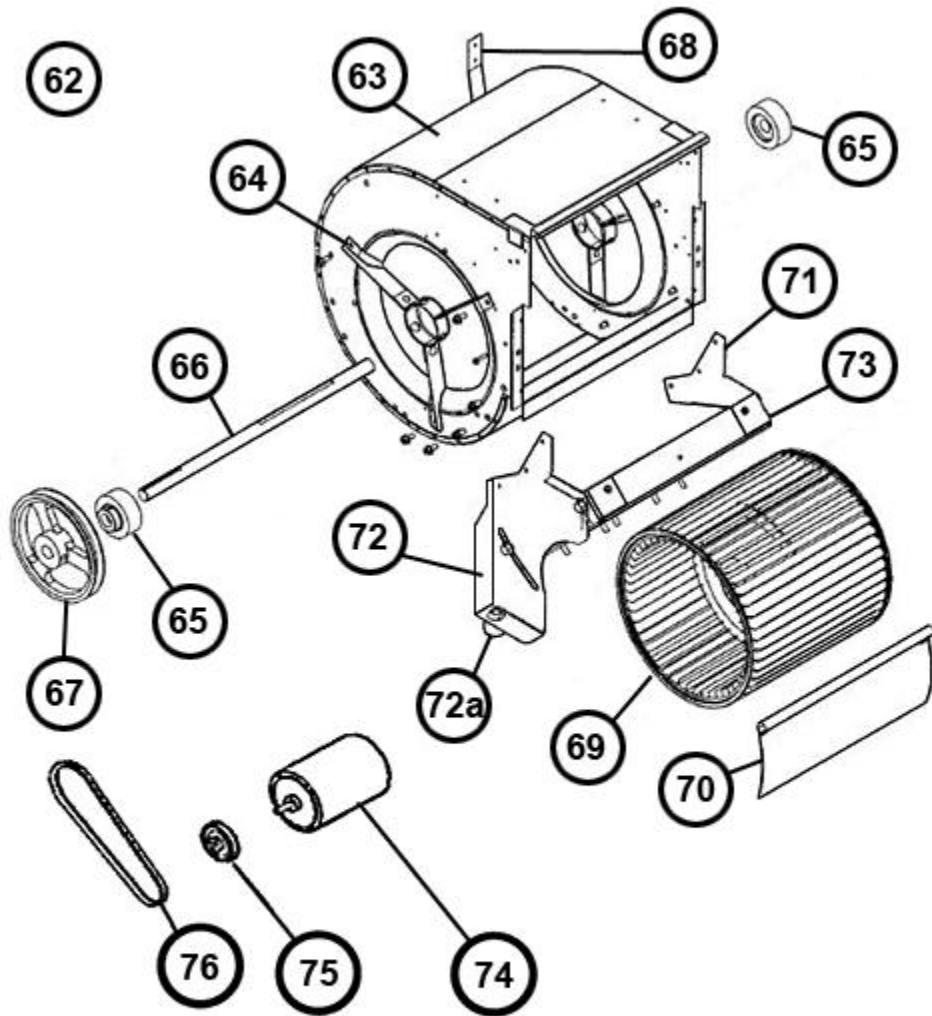
Top-Panel 072



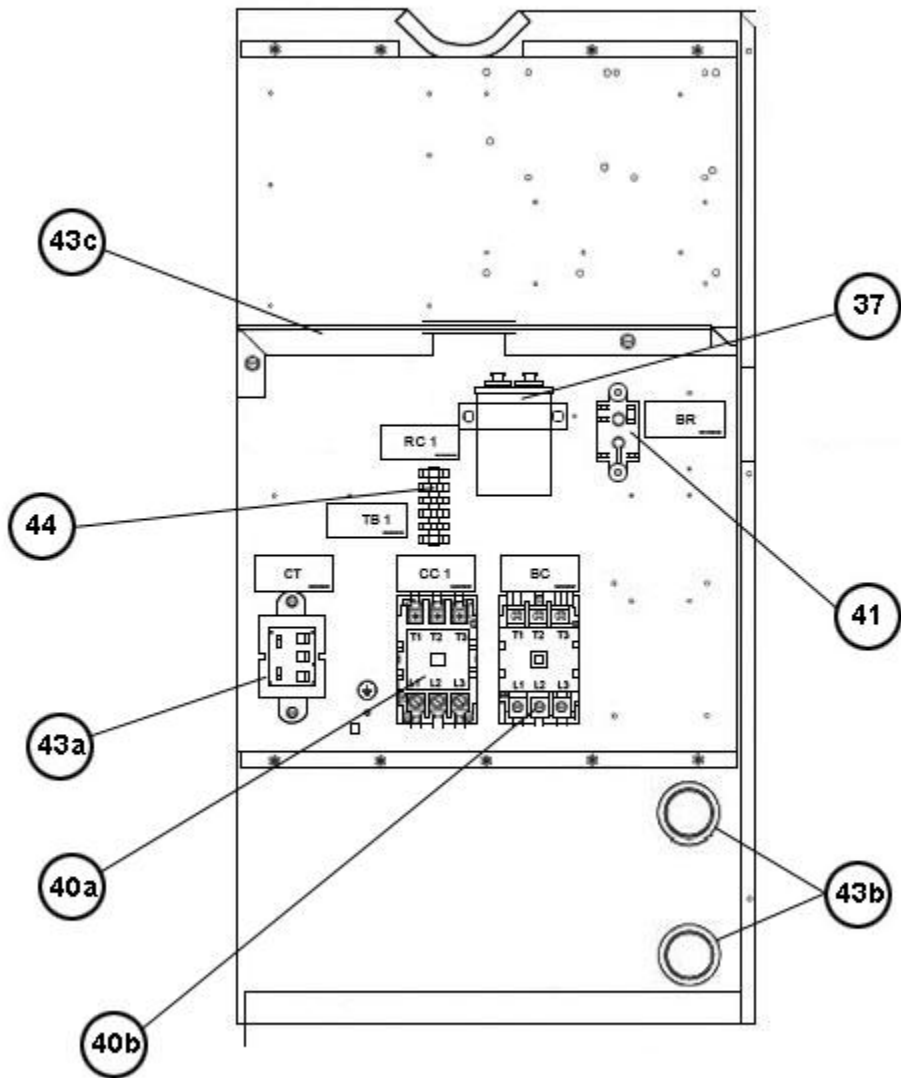
Side Panels 072



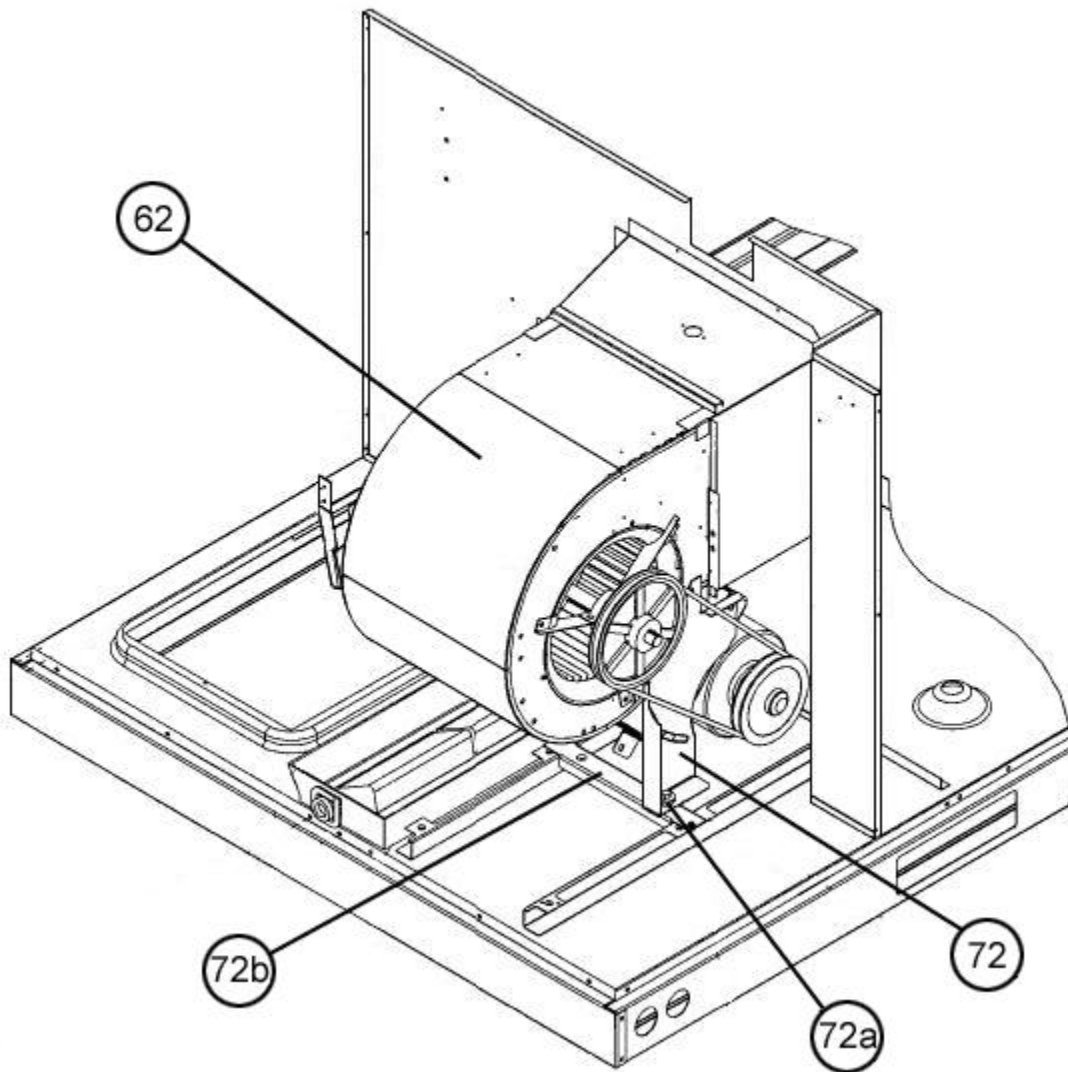
Top Interior 072



Blower Assembly - Belt Drive 072



Control Box 072



Blower Motor Mount Assembly - Belt Drive 072

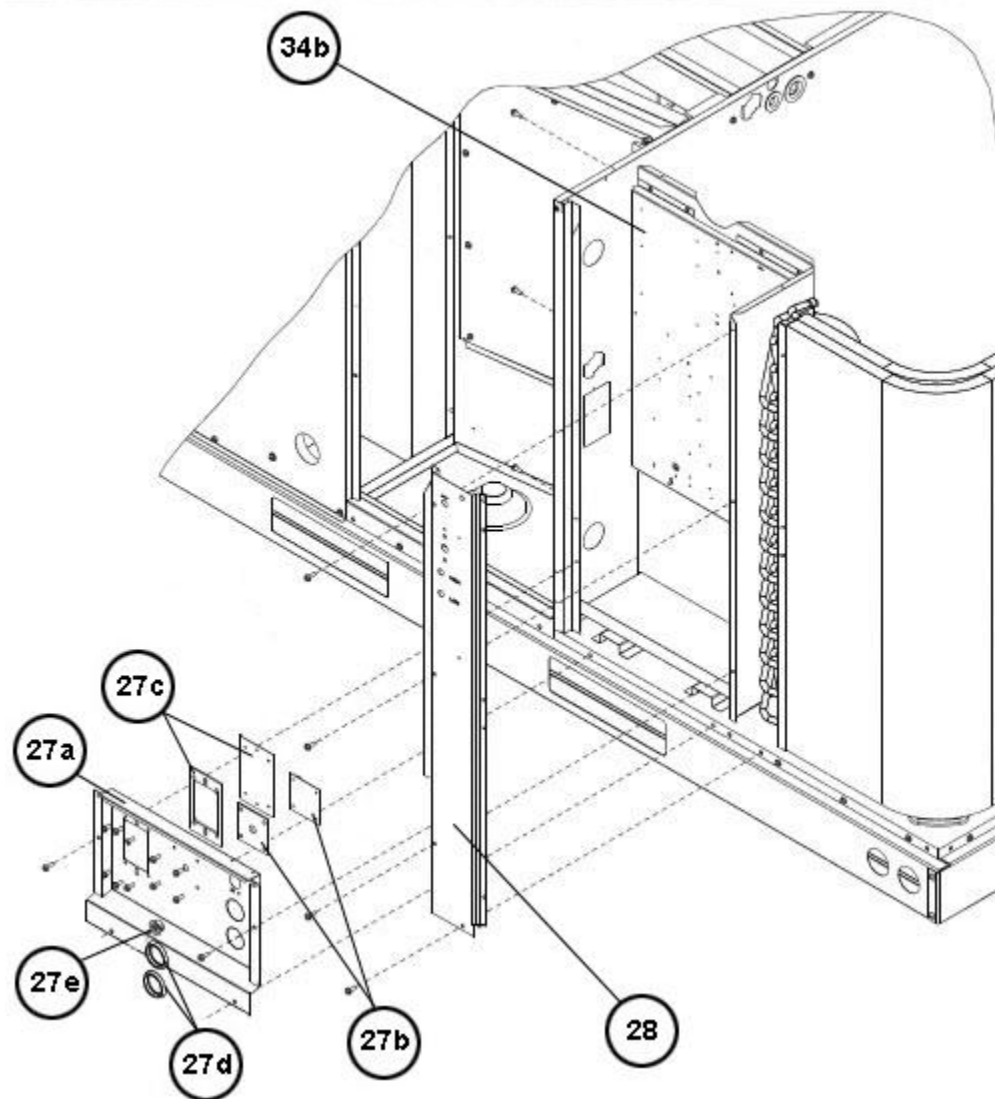
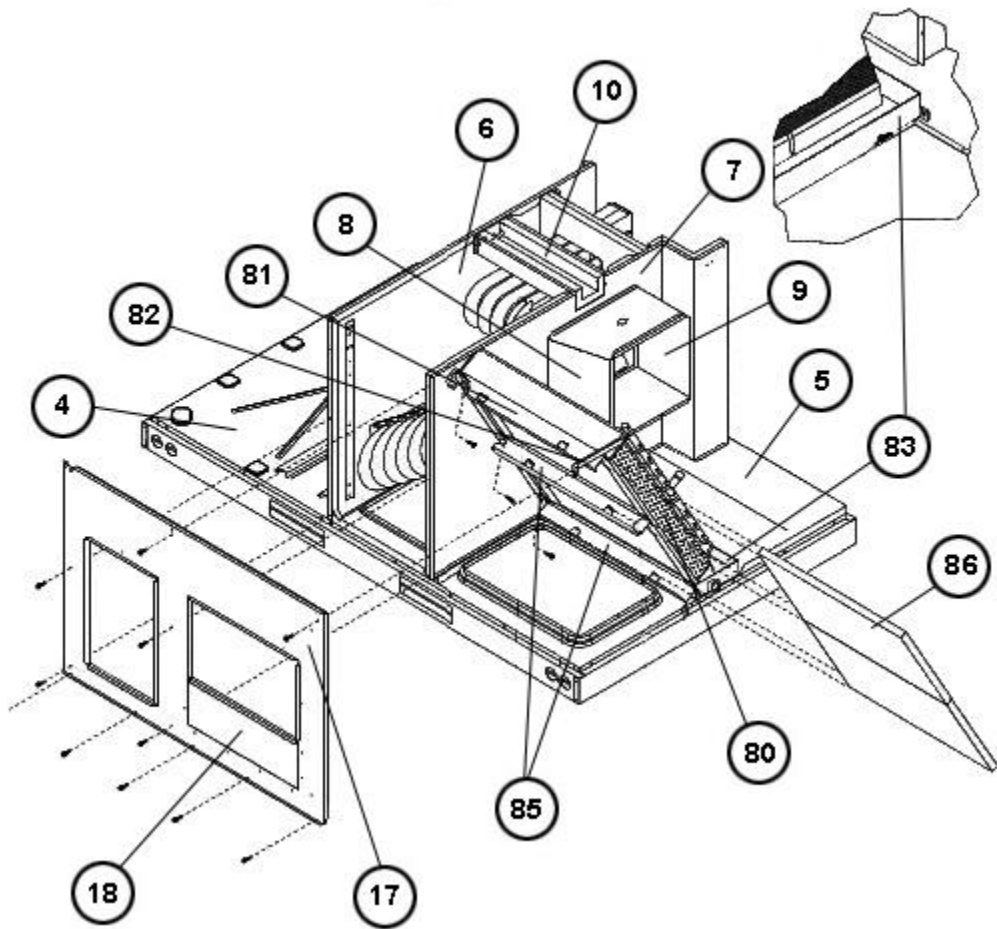
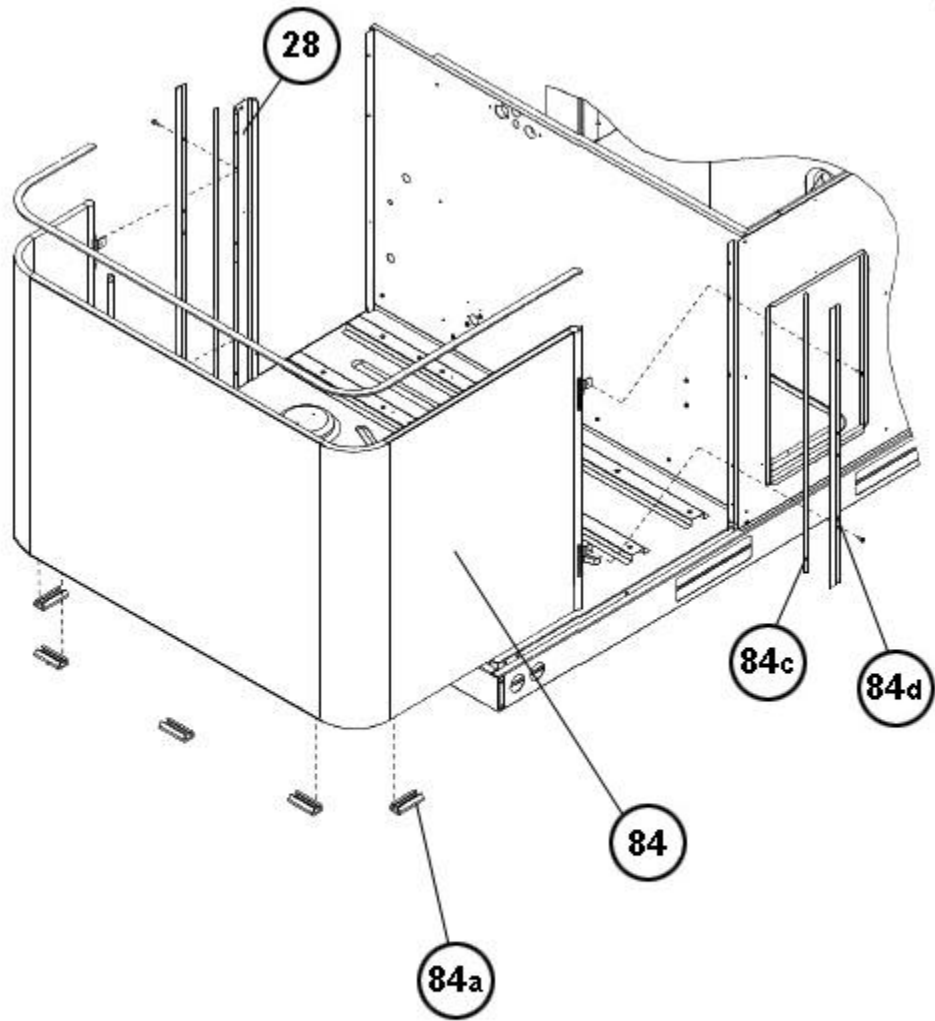


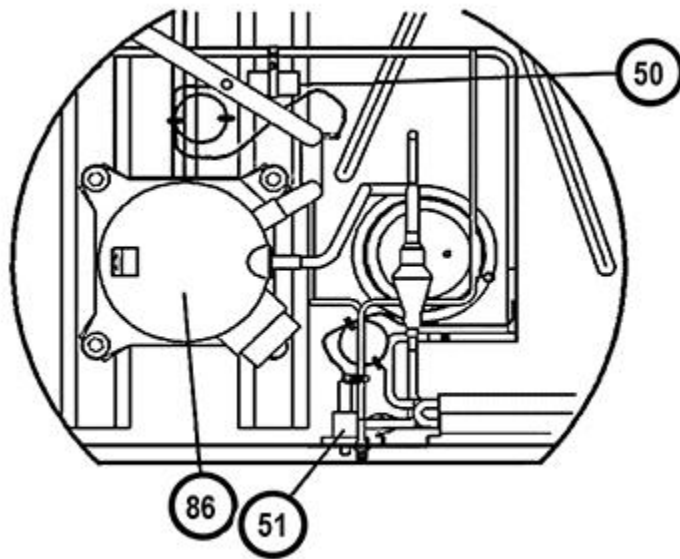
Plate Disconnect and Receptacle 072



Evaporator Coil Filter



Condenser and Coil Pads 072



Compressor - Refrigeration Group 072

NOTES

Stk It is recommended that stock be maintained for this part.
N/A Not Applicable

DISCLAIMER: This document is intended to provide general replacement parts information to aid qualified service personnel in the repair of these models. The complete Model and Serial Number of the unit under repair should be specified when selecting and ordering replacement parts. Specifications and illustrations are subject to change without notice. Document 92-42800-RLKN-B supersedes all previous parts lists for these models. See <http://www.rheempartslists.net/92-42800-RLKN-B> for the latest revision of this document. The manufacturer assumes no obligation for errors or omissions. Service personnel must verify the proper and safe operation of equipment after the replacement of any original components.