



# SUBMITTAL COVER SHEET

PROJECT NAME \_\_\_\_\_

LOCATION \_\_\_\_\_

ARCHITECT \_\_\_\_\_

ENGINEER \_\_\_\_\_

CONTRACTOR \_\_\_\_\_

SUBMITTED BY \_\_\_\_\_ DATE \_\_\_\_\_

## UNIT SUMMARY

Quantity						
Unit Designation						
Model No.						
Total Cooling						
Sensible Cooling						
Air Ent. Evaporator						
Air Lvg. Evaporator						
Heating Input						
Heating Output						
CFM/ESP						
EER/SEER						
Electrical						
Minimum Ampacity						
Min.-Max. Breaker						
Net Unit Weight						
Accessory						
Catalog Form Number						

### ACCESSORIES:

### NOTES:

# SUBMITTAL SHEET FOR PACKAGE AIR CONDITIONER UNITS: RLKL-B WITH CAPACITIES FROM 15-20 TONS [52.8-70.3 kW]

JOB NAME \_\_\_\_\_  
 CONTRACTOR \_\_\_\_\_  
 ENGINEER \_\_\_\_\_  
 LOCATION \_\_\_\_\_  
 ORDER NO. \_\_\_\_\_  
 SUBMITTED FOR  APPROVAL  RECORD  
 SUBMITTED BY \_\_\_\_\_  
 DATE \_\_\_\_\_  
 UNIT DESIGNATION \_\_\_\_\_  
 MODEL NO. \_\_\_\_\_

**R-410A**

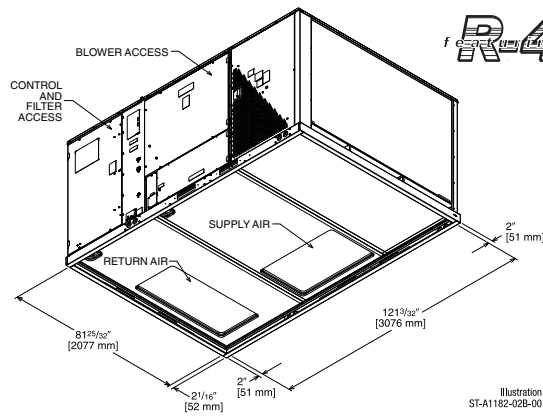


Illustration ST-A1182-02B-00

## BOTTOM VIEW

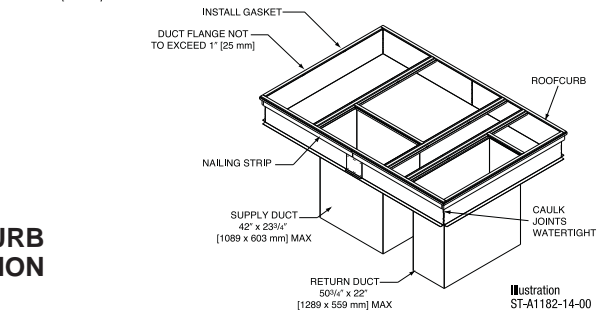
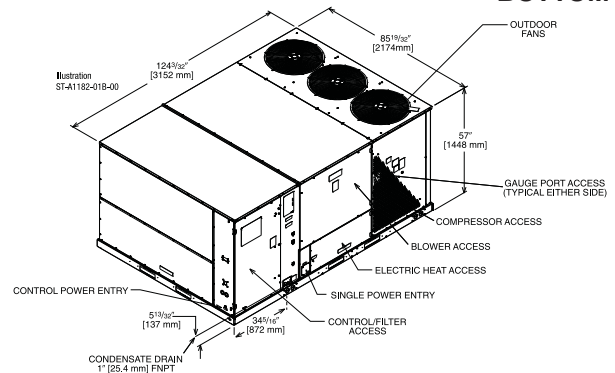


Illustration ST-A1182-14-00

## ROOFCURB INSTALLATION

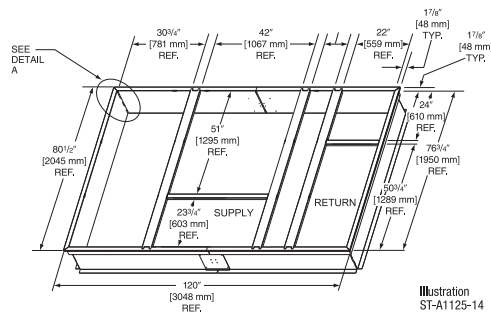


Illustration ST-A1125-14

[ ] Designates Metric Conversions

## UNIT DATA

### COOLING PERFORMANCE

TOTAL CAPACITY\* ..... MBH  
 SENSIBLE CAPACITY\* ..... MBH  
 EFFICIENCY (at AHRI) ..... EER  
 PART LOAD EFFICIENCY ..... IEER  
 AMBIENT DB TEMP ..... °F  
 ENTERING DB TEMP ..... °F  
 ENTERING WB TEMP ..... °F  
 LEAVING DB TEMP ..... °F  
 LEAVING WB TEMP ..... °F  
 TOTAL POWER INPUT ..... kW  
 ELEVATION ..... FT  
 SOUND POWER ..... DBELS

### HEATING PERFORMANCE

ELECTRIC HEAT CAPACITY ..... kW

### SUPPLY AIR BLOWER PERFORMANCE

SUPPLY AIR ..... CFM [L/s]  
 OUTSIDE AIR ..... CFM [L/s]  
 EXTERNAL STATIC PRESSURE ..... IWG  
 DUCT CONNECTION LOCATION .....  
 BLOWER SPEED ..... RPM  
 MOTOR RATING ..... HP [W]  
 BRAKE HORSEPOWER ..... BHP  
 POWER INPUT REQUIREMENT ..... kW

### ELECTRICAL DATA

POWER SUPPLY ..... Hz  
 MINIMUM CIRCUIT AMPACITY ..... AMPS  
 MAXIMUM OVERCURRENT PROTECTION DEVICE FUSE SIZE ..... AMPS  
 HACR CIRCUIT BREAKER ..... AMPS

### DIMENSIONS & WEIGHT

HEIGHT \_\_\_\_ IN WIDTH \_\_\_\_ IN DEPTH \_\_\_\_ IN  
 TOTAL WEIGHT ..... LBS [kg]  
 (including factory options)

### CLEARANCES

FRONT 80" [2032 mm] BACK 18" [457 mm]  
 BOTTOM 0" TOP 60" [1524 mm]  
 LEFT SIDE 18" [457 mm] 36" [914 mm]  
 RIGHT SIDE (condenser end) 18" [457 mm]



## FEATURES FOR PACKAGE AIR CONDITIONERS RLKL-B 15 THRU 20 TONS [52.8 THRU 70.3 kW]

### Cooling

- R410A Refrigerant
- Quiet, Efficient, Scroll Compressors
- Two-Stage Cooling for Superior Comfort Control at Minimum Operating Cost
- Belt-drive Blower with optional drive to accommodate design conditions as high as 2.0 inches [.37 kPa] of external static pressure at nominal airflow
- Copper Tube/Aluminum Fin Coils on indoor coil
- Aluminum Microchannel outdoor coil(s)

### Service Features

- Hinged Access Panels for Convenience
- Large Control Panel with numbered and color coded wiring for Easy Troubleshooting
- Front Access, Slide-Out Blower Assembly for Easy Maintenance
- Convertible Airflow for Maximum Flexibility
- Slide out Condensate Drain pan to simplify Cleaning
- Factory-Installed two-inch [50.8 mm], throw away filters. Accessible without tools

- Plug-in Electrical Connections on outdoor fan assemblies
- Unit is prewired to accept Slip-In Economizer
- Externally-mounted refrigerant gauge ports
- Side or Base utility access minimizing roof penetrations
- Full perimeter, forkable, riggable baserails with protective forkboards for easy handling
- Complete Factory Tested, Charged, Wired

### Reliability Features

- One-inch [25.4 mm] raised flanges on supply/return opening for superior water management
- Base pan Insulation mounted on bottom helps eliminate corrosion and improves indoor air quality
- Non-Corrosive, sloped drain pan helps improve indoor air quality
- Insulation secured by adhesive *and* mechanical means
- Electrodeposition power-coat paint process guards against extreme weather conditions and withstands 1000-hour salt-spray test
- High and Low Refrigerant Pressure Switches
- Solid core refrigerant liquid line filters

[ ] Designates Metric Conversions

## ACCESSORIES

### Factory Installed

- Electric Heater Kits.....
- Oversized Blower motor .....
- Outdoor Coil Guard (Hail Guard) .....
- Non-Powered Convenience Outlet.....
- Low Ambient & Freezestat Control .....
- Single Enthalpy Economizer w/Barometric Relief.....
- Single Enthalpy Economizer w/Barometric Relief and Smoke Detector .....

### Field Installed

- Electric Heater Kits.....
- Outdoor Coil Guard (Hail Guard) .....
- Non-Powered Convenience Outlet.....
- Low Ambient Control .....
- Freezestat Control .....
- 14" Full Perimeter Roofcurb .....
- Roofcurb Adapter.....
- Concentric Diffuser.....
- Manual Outside Air Intake Damper.....
- Motorized Outside Air Intake Damper.....
- Single Enthalpy Economizer w/Barometric Relief.....
- Single Enthalpy Economizer w/Barometric Relief and Smoke Detector .....
- Horizontal Single Enthalpy Economizer w/Barometric Relief .....
- Dual Enthalpy Adapter .....
- Power Exhaust .....
- CO<sub>2</sub> Sensor (wall mount with LCD) .....

**Before proceeding with installation, refer to installation instructions packaged with each model, as well as complying with all Federal, State, Provincial, and Local codes, regulations, and practices.**

Rheem Sales Company, Inc.  
P.O. Box 17010, Fort Smith, AR 72917

*"In keeping with its policy of continuous progress and product improvement, Rheem reserves the right to make changes without notice."*