



The new degree of comfort.™

SUBMITTAL COVER SHEET

PROJECT NAME _____

LOCATION _____

ARCHITECT _____

ENGINEER _____

CONTRACTOR _____

SUBMITTED BY _____ DATE _____

UNIT SUMMARY

Quantity						
Unit Designation						
Model No.						
Total Cooling						
Sensible Cooling						
Air Ent. Evaporator						
Air Lvg. Evaporator						
Heating Input						
Heating Output						
CFM/ESP						
EER/SEER						
Electrical						
Minimum Ampacity						
Min.-Max. Breaker						
Net Unit Weight						
Accessory						
Catalog Form Number						

ACCESSORIES:

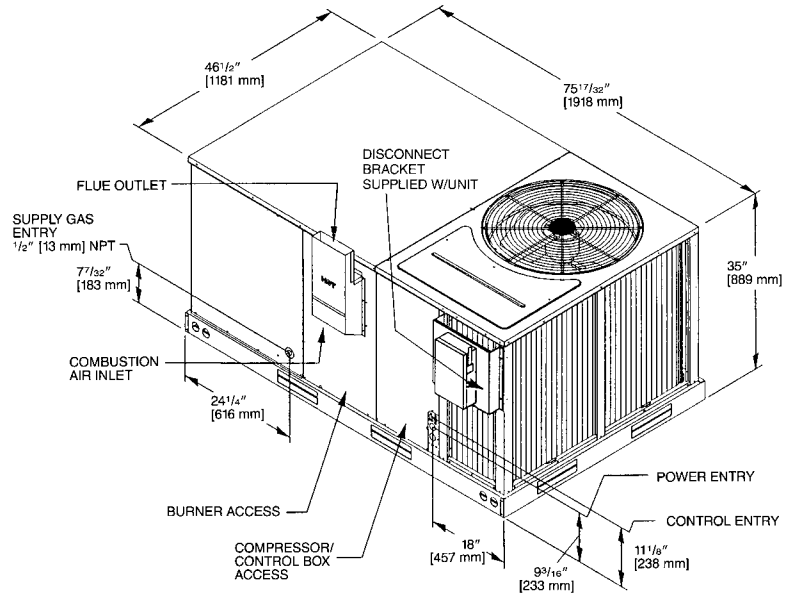
NOTES:



SUBMITTAL SHEET FOR PACKAGE GAS ELECTRIC RKNN- 13 SEER SERIES, RKPN- 14 SEER SERIES, RKQN- 15 SEER SERIES Nominal Sizes 3-5 Tons [10.6-17.6 kW]

JOB NAME _____
 CONTRACTOR _____
 ENGINEER _____
 LOCATION _____
 ORDER NO. _____
 SUBMITTED FOR APPROVAL RECORD
 SUBMITTED BY _____
 DATE _____
 UNIT DESIGNATION _____
 MODEL NO. _____

UNIT DIMENSIONS FOR PACKAGE GAS ELECTRIC 3 TO 5 TON [10.6 TO 17.6 kW] MODELS



UNIT DATA COOLING PERFORMANCE

TOTAL CAPACITY* MBH
 SENSIBLE CAPACITY* MBH
 OUTDOOR DESIGN TEMP. °F [°C] DB/WB
 TOTAL SUPPLY AIR CFM [L/s]
 TEMP. OF AIR ENTERING
 EVAPORATOR COIL..... °F [°C] DB/WB
 POWER INPUT REQUIREMENT kW
 SEER/EER RATING
 (*uses blower motor heat)

HEATING PERFORMANCE

GAS HEAT INPUT CAPACITY..... MBH
 GAS HEAT OUTPUT CAPACITY MBH
 STEADY STATE EFFICIENCY

SUPPLY AIR BLOWER PERFORMANCE

TOTAL SUPPLY AIR CFM [L/s]
 TOTAL RESISTANCE EXTERNAL
 TO UNIT IWG
 BLOWER SPEED RPM
 POWER OUTPUT REQUIREMENT .. BHP
 MOTOR RATING HP [W]
 POWER INPUT REQUIREMENT kW

ELECTRICAL DATA

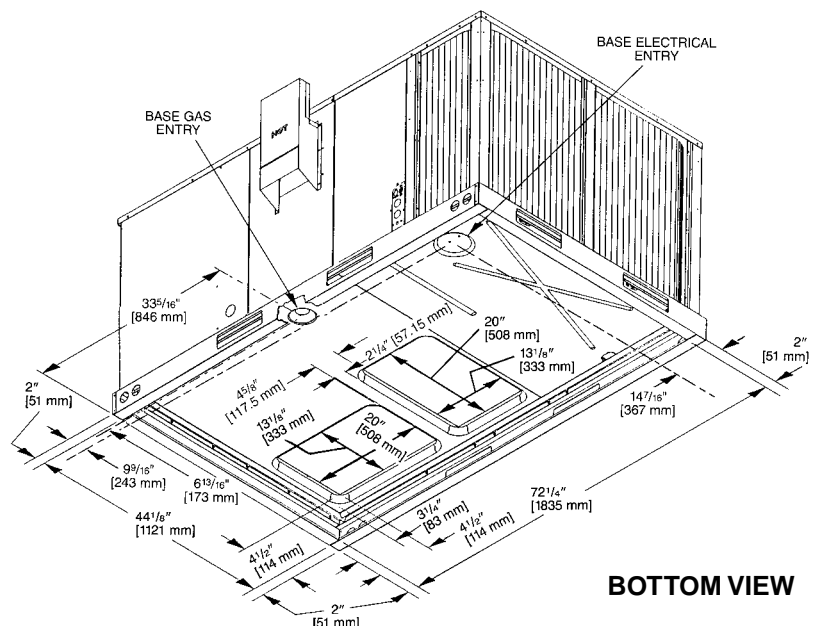
POWER SUPPLY Hz
 TOTAL UNIT AMPACITY AMPS
 MINIMUM WIRE SIZE AWG
 MAXIMUM OVERCURRENT DEVICE
 FUSES HACR BREAKER AMPS

TOTAL UNIT WEIGHT

TOTAL OPERATING WEIGHT LBS [kg]
 (including field-installed accessories)

CLEARANCES

FRONT	48" [1219 mm]
CONDENSER COIL	18" [457 mm]
DUCT SIDE	12" [305 mm]
EVAPORATOR END	36" [914 mm]
ABOVE UNIT	60" [1524 mm]



BOTTOM VIEW

[] Designates Metric Conversions

