



# RKPN-A

Parts List  
20-February-2014



*This parts list is current as of the above revision date.  
See <http://www.rheempartslists.net/92-42800-RKPN-A.pdf> for the current revision.*

**Package Gas-Electric - Commercial**

# Table of Contents

Model Explanation .....	Page 3
<b>Parts Numbers</b>	
Panels - Miscellaneous .....	Page 4
Electrical Group (1) .....	Page 5
Electrical Group (2) .....	Page 6
Fan Group .....	Page 7
Blower Group - Direct Drive .....	Page 8
Blower Group - Belt Drive (036-048) .....	Page 9
Blower Group - Belt Drive (060) .....	Page 10
Coil Parts .....	Page 11
Compressor Group .....	Page 12
Heat Exchanger-Burner Group .....	Page 13
Gas Controls .....	Page 14
Accessories .....	Page 15
Orifice Selection Chart .....	Page 16
<b>Drawings/Photographs</b>	
Exploded View .....	Page 17
Control Box .....	Page 18
Blower Assembly - Direct Drive .....	Page 18
Blower Assembly - Belt Drive .....	Page 19
Blower Motor Mount Assembly - Belt Drive .....	Page 20
Coil Group Cut-away View .....	Page 21
Evaporator Coil - Filter Parts .....	Page 21
Compressor - Refrigeration Group .....	Page 22
Heat Exchanger Assembly .....	Page 22
One Piece Burner Assembly .....	Page 23
Condenser Coil Pads .....	Page 24
Notes/Disclaimer .....	Page 25

**MODEL NUMBER EXPLANATION**

<b>R</b>	<b>K</b>	<b>P</b>	<b>N</b>	<b>-</b>	<b>A</b>	<b>0</b>	<b>3</b>	<b>6</b>	<b>J</b>	<b>K</b>	<b>0</b>	<b>8</b>	<b>E</b>	<b>X</b>	<b>X</b>	<b>A</b>
1	2	3	4		5		6		7	8		9	10		11	12

- |  |   |
|--|---|
| <p><b>1</b>     <b>TRADENAME</b></p> <p><b>2</b>     <b>K = ROOFTOP - COMMERCIAL</b></p> <p><b>3</b>     <b>EFFICIENCY DESIGNATION</b><br/>P = 14 SEER</p> <p><b>4</b>     <b>DESIGN SERIES</b><br/>(R-410A)</p> <p><b>5</b>     <b>TECHNICAL VARIATIONS</b></p> <p><b>6</b>     <b>COOLING CAPACITY (BTU/HR)</b><br/>036 = 36,000<br/>048 = 48,000<br/>060 = 60,000</p> <p><b>7</b>     <b>ELECTRIC DESIGNATION</b><br/>J = 208-230/1/60<br/>C = 208-230/3/60<br/>D = 460/3/50<br/>Y = 575/3/60</p> | <p><b>8</b>     <b>DRIVE PACKAGE</b><br/>K = Direct Drive<br/>L = Belt Drive<br/>M = Belt Drive - High Static</p> <p><b>9</b>     <b>HEAT CAPACITY (MBH)</b><br/>08 = 80,000<br/>10 = 100,000<br/>12 = 120,000<br/>13 = 135,000</p> <p><b>10</b>    <b>IGNITION SYSTEM</b><br/>E = Electric Ignition, 1 Stage Gas Valve<br/>X = Electric Ignition, 1 Stage Gas Valve, NOx</p> <p><b>11</b>    <b>FACTORY INSTALLED OPTIONS</b></p> <p><b>12</b>    <b>ECONOMIZER OPTION</b></p> |
|--|---|

**SERIAL NUMBER EXPLANATION**

<b>F</b>	<b>0</b>	<b>8</b>	<b>1</b>	<b>3</b>	<b>9</b>	<b>9</b>	<b>9</b>	<b>9</b>	<b>9</b>
1	2	3	4						

- 1**     **PLANT CODE**
- 2**     **WEEK OF PRODUCTION**
- 3**     **YEAR OF PRODUCTION**
- 4**     **PRODUCTION NUMBER**

**Note: For Compressor Identification Number, see Compressor Code on Rating Plate  
For Gas Code, see Control System Gas Code on Rating Plate**

No.	Notes	MODEL TECHNICAL VARIATION COOLING CAPACITY	RKPN- A 036	RKPN- A 048	RKPN- A 060
<b>PANELS, MISCELLANEOUS PARTS</b>					
1		Base Rail - Side (2)	AE-58900-01	AE-58900-01	AE-58900-01
2		Base Rail - Condenser End	AE-58901-01	AE-58901-01	AE-58901-01
3		Base Rail - Evaporator End	AE-58902-01	AE-58902-01	AE-58902-01
4		Outdoor Coil Base Pan	AS-59051-03H	AS-59051-03H	AS-59051-03H
5		Indoor Coil Base Pan	AS-58910-05	AS-58910-05	AS-58910-05
7		Condenser Bulkhead (08E, 10E, 12E Heat Capacity, Includes Limit Baffle and Tube Support Angles)	AS-59127-05	AS-59127-05	AS-59127-05
7		Condenser Bulkhead (13E Heat Capacity, Includes Limit Baffle and Tube Support Angles)	N/A	AS-59127-04	AS-59127-04
		Limit Baffle - Attached To Condenser Bulkhead (08E, 10E, 12E Heat Capacity)	AE-58913-02	AE-58913-02	AE-58913-02
		Limit Baffle - Attached To Condenser Bulkhead (13E Heat Capacity)	N/A	AE-58913-01	AE-58913-01
		Tube Support Angle - Attached To The Condenser. Bulkhead	AE-59139-01	AE-59139-01	AE-59139-01
8		Blower Bulkhead Assembly (Includes Tube Support Angle, Blower Extension, and Insulation Retainer)	AS-103386-01	AS-103386-01	AS-103386-01
		Tube Support Angle (Small piece attached to the Blower Bulkhead)	AE-59139-02	AE-59139-02	AE-59139-02
9		Blower Extension - Front	AE-58928-01	AE-58928-01	AE-58928-01
10		Blower Extension - Back	AE-58928-02	AE-58928-02	AE-58928-02
		Insulation Retainer	AE-59059-01	AE-59059-01	AE-59059-01
11		Wire Chase Insulation Assembly	AS-103386-01	AS-103386-01	AS-103386-01
12		Corner Post	AS-58965-01H (1)	AS-58965-01H (2)	AS-58965-01H (2)
13		Front Corner Post ("L" Coil Only)	AS-104519-01H	N/A	N/A
14		Louvered Panel	See Accessories	See Accessories	See Accessories
15		Louvered Panel	See Accessories	See Accessories	See Accessories
16		Louvered Panel	See Accessories	See Accessories	See Accessories
17		Supply/Return Panels (2)	AS-58992-01H	AS-58992-01H	AS-58992-01H
18		Rear Panel (Includes Insulation, Filler Panel, and Stripping)	AS-58976-01H	AS-58976-01H	AS-58976-01H
19		Filler Panel - Return Air	AS-58974-01H	AS-58974-01H	AS-58974-01H
		Filler Panel Stripping	AE-58897-10	AE-58897-10	AE-58897-10
20		Blower/Filter Access Panels (2)	AS-58990-01H	AS-58990-01H	AS-58990-01H
21		Post - Left End	AS-58973-01H	AS-58973-01H	AS-58973-01H
22		Front Panel	AS-59132-01H	AS-59132-01H	AS-59132-01H
23		Grommet	56-22114-06	56-22114-06	56-22114-06
24		Heating Compartment Access Panel	AS-58988-02H	AS-58988-02H	AS-58988-02H
25		Flue Hood	AS-58882-01	AS-58882-01	AS-58882-01
		Flue Hood Gasket	68-23680-03	68-23680-03	68-23680-03
		Mounting Panel - External Disconnect	AS-59133-02H	AS-59133-01H	AS-59133-01H
26		Compressor Access Panel	AS-58983-02H	AS-58983-02H	AS-58983-02H
27		Power Entry Panel	AS-58968-03H	AS-58968-03H	AS-58968-03H
28		Front Post	AS-58967-01H	AS-58967-01H	AS-58967-01H
29		Indoor Coil Top Panel Assembly	AS-58979-01H	AS-58979-01H	AS-58979-01H
30		Condenser Top Panel Assembly	AS-58982-01H	AS-58982-01H	AS-58982-01H
32		Wire Grille	95-101660-01	95-101660-01	95-101660-01
34		Control Box (w/o components)	AS-59039-01	AS-59039-01	AS-59039-01

No.	Notes	MODEL TECHNICAL VARIATION COOLING CAPACITY ELECTRIC DESIGNATION DRIVE PACKAGE	RKPN- A 036-048 C K	RKPN- A 036-048 D K	RKPN- A 036-048 J K
<b>ELECTRIC GROUP</b>					
<b>CONTROL BOX COMPONENTS:</b>					
37	Stk	Integrated Furnace Control (IFC)	62-23599-03	62-23599-03	62-23599-03
38		Direct Drive Blower Relay	N/A	42-19736-04	N/A
39		Compressor Time Delay Relay	See Accessories		
40		Compressor Contactor	See Compressor Group		
41		Capacitor - Fan Motor	See Fan Group		
42		Stepdown Transformer	N/A	N/A	N/A
43	Stk	Transformer	46-18788-05	46-23600-02	46-18788-05
		Induced Draft Relay	N/A	42-19736-04	N/A
<b>MISCELLANEOUS COMPONENTS:</b>					
44		Auxiliary Limit - Blower Extension	47-17359-30	47-17359-30	47-17359-30
	Stk	Pressure Switch	42-24335-20	42-24335-20	42-24335-20
48	Stk	Inducer Blower Motor - Including Gasket	70-23641-01	70-23641-02	70-23641-01
49	Stk	Inducer Blower Motor Gasket	68-23643-01	68-23643-01	68-23643-01
50		Low Pressure Control	See Compressor Group		
51		High Pressure Control	See Compressor Group		
<b>WIRING HARNESES:</b>					
		Wiring Harness - 9 pin from IFC to 9 terminals	45-102393-01	45-102393-01	45-102393-01
		Wiring Harness - Economizer (12 Pin)	45-42522-108	45-42522-108	45-42522-108
		Bypass Plug - Economizer (12 Pin)	45-61997-55	45-61997-55	45-61997-55

No.	Notes	MODEL TECHNICAL VARIATION COOLING CAPACITY ELECTRIC DESIGNATION DRIVE PACKAGE	RKPN- A 060 C K	RKPN- A 060 D K	RKPN- A 060 J K
<b>ELECTRIC GROUP</b>					
<b>CONTROL BOX COMPONENTS:</b>					
37	Stk	Integrated Furnace Control (IFC)	62-23599-03	62-23599-03	62-23599-03
38		Direct Drive Blower Relay	42-101208-02	42-21571-08	42-101208-02
39		Compressor Time Delay Relay	See Accessories		
40		Compressor Contactor	See Compressor Group		
41		Capacitor - Fan Motor	See Fan Group		
42		Stepdown Transformer	N/A	N/A	N/A
43	Stk	Transformer	46-18788-05	46-23600-02	46-18788-05
		Induced Draft Relay	N/A	42-19736-04	N/A
<b>MISCELLANEOUS COMPONENTS:</b>					
44		Auxiliary Limit - Blower Extension	47-17359-30	47-17359-30	47-17359-30
	Stk	Pressure Switch	42-24335-20	42-24335-20	42-24335-20
48	Stk	Inducer Blower Motor - Including Gasket	70-23641-01	70-23641-02	70-23641-01
49	Stk	Inducer Blower Motor Gasket	68-23643-01	68-23643-01	68-23643-01
50		Low Pressure Control	See Compressor Group		
51		High Pressure Control	See Compressor Group		
<b>WIRING HARNESES:</b>					
		Wiring Harness - 9 pin from IFC to 9 terminals	45-102393-01	45-102393-01	45-102393-01
		Wiring Harness - Economizer (12 Pin)	45-42522-108	45-42522-108	45-42522-108
		Bypass Plug - Economizer (12 Pin)	45-61997-55	45-61997-55	45-61997-55

No.	Notes	MODEL TECHNICAL VARIATION COOLING CAPACITY ELECTRIC DESIGNATION DRIVE PACKAGE	RKPN- A 036-060 C L	RKPN- A 036-060 D L	RKPN- A 036-060 Y L
<b>ELECTRIC GROUP</b>					
<b>CONTROL BOX COMPONENTS:</b>					
37	Stk	Integrated Furnace Control (IFC)	62-23599-03	62-23599-03	62-23599-03
38	Stk	Belt Drive Blower Contactor	42-102664-03	42-102664-08	42-102664-03
39		Compressor Time Delay Relay	See Accessories		
40		Compressor Contactor	See Compressor Group		
41		Capacitor - Fan Motor	See Fan Group		
42		Stepdown Transformer	N/A	N/A	46-23585-01
43	Stk	Transformer	46-18788-05	46-23600-02	46-18788-05
		Induced Draft Relay	N/A	42-19736-04	N/A
<b>MISCELLANEOUS COMPONENTS:</b>					
44		Auxiliary Limit - Blower Extension	47-17359-30	47-17359-30	47-17359-30
	Stk	Pressure Switch	42-24335-20	42-24335-20	42-24335-20
48	Stk	Inducer Blower Motor - Including Gasket	70-23641-01	70-23641-02	70-23641-01
49	Stk	Inducer Blower Motor Gasket	68-23643-01	68-23643-01	68-23643-01
50		Low Pressure Control	See Compressor Group		
51		High Pressure Control	See Compressor Group		
<b>WIRING HARNESES:</b>					
		Wiring Harness - 9 pin from IFC to 9 terminals	45-102393-01	45-102393-01	45-102393-01
		Wiring Harness - Economizer (12 Pin)	45-42522-108	45-42522-108	45-42522-108
		Bypass Plug - Economizer (12 Pin)	45-61997-55	45-61997-55	45-61997-55

No.	Notes	MODEL TECHNICAL VARIATION COOLING CAPACITY ELECTRIC DESIGNATION DRIVE PACKAGE	RKPN- A 036-060 C M	RKPN- A 036-060 D M	RKPN- A 036-060 Y M
<b>ELECTRIC GROUP</b>					
<b>CONTROL BOX COMPONENTS:</b>					
37	Stk	Integrated Furnace Control (IFC)	62-23599-03	62-23599-03	62-23599-03
38	Stk	Belt Drive Blower Contactor	42-102664-03	42-102664-08	42-102664-03
39		Compressor Time Delay Relay	See Accessories		
40		Compressor Contactor	See Compressor Group		
41		Capacitor - Fan Motor	See Fan Group		
42		Stepdown Transformer	N/A	N/A	46-23585-01
43	Stk	Transformer	46-18788-05	46-23600-02	46-18788-05
		Induced Draft Relay	N/A	42-19736-04	N/A
<b>MISCELLANEOUS COMPONENTS:</b>					
44		Auxiliary Limit - Blower Extension	47-17359-30	47-17359-30	47-17359-30
	Stk	Pressure Switch	42-24335-20	42-24335-20	42-24335-20
48	Stk	Inducer Blower Motor - Including Gasket	70-23641-01	70-23641-02	70-23641-01
49	Stk	Inducer Blower Motor Gasket	68-23643-01	68-23643-01	68-23643-01
50		Low Pressure Control	See Compressor Group		
51		High Pressure Control	See Compressor Group		
<b>WIRING HARNESES:</b>					
		Wiring Harness - 9 pin from IFC to 9 terminals	45-102393-01	45-102393-01	45-102393-01
		Wiring Harness - Economizer (12 Pin)	45-42522-108	45-42522-108	45-42522-108
		Bypass Plug - Economizer (12 Pin)	45-61997-55	45-61997-55	45-61997-55

No.	Notes	MODEL TECHNICAL VARIATION COOLING CAPACITY ELECTRICAL DESIGNATION	RKPN- A 036 C	RKPN- A 036 D	RKPN- A 036 J	RKPN- A 036 Y
<b>FAN GROUP</b>						
35	Stk	Fan Motor	51-100998-05	51-100998-07	51-100998-05	51-100998-14
36	Stk	Fan Blade	70-23594-01	70-23594-01	70-23594-01	70-23594-01
41	Stk	Capacitor - Fan Motor	43-100496-04	43-100496-04	See Compressor Group	43-100496-11
		Capacitor Adapter Plate	AE-54609-02	AE-54609-02		AE-54609-01

No.	Notes	MODEL TECHNICAL VARIATION COOLING CAPACITY ELECTRICAL DESIGNATION	RKPN- A 048 C	RKPN- A 048 D	RKPN- A 048 J	RKPN- A 048 Y
<b>FAN GROUP</b>						
35	Stk	Fan Motor	51-100998-05	51-100998-07	51-100998-05	51-100998-14
36	Stk	Fan Blade	70-23594-01	70-23594-01	70-23594-01	70-23594-01
41	Stk	Capacitor - Fan Motor	43-100496-04	43-100496-04	See Compressor Group	43-100496-11
		Capacitor Adapter Plate	AE-54609-02	AE-54609-02		N/A

No.	Notes	MODEL TECHNICAL VARIATION COOLING CAPACITY ELECTRICAL DESIGNATION	RKPN- A 060 C	RKPN- A 060 D	RKPN- A 060 J	RKPN- A 060 Y
<b>FAN GROUP</b>						
35	Stk	Fan Motor	51-100998-13	51-100998-12	51-100998-13	51-100998-14
36	Stk	Fan Blade	70-42484-01	70-42484-01	70-42484-01	70-42484-01
41	Stk	Capacitor - Fan Motor	43-100496-12	43-100496-12	See Compressor Group	43-100496-11
		Capacitor Adapter Plate	AE-54609-02	AE-54609-02		N/A

No.	Notes	MODEL TECHNICAL VARIATION COOLING CAPACITY ELECTRIC DESIGNATION DRIVE PACKAGE	RKPN-	RKPN-	RKPN-
			A 036-048 C K	A 036-048 D K	A 036-048 J K
<b>BLOWER GROUP - DIRECT DRIVE</b>					
53	Stk	Blower Assembly	AS-59050-03	AS-59050-09	AS-59050-03
54		Housing	AS-58944-01	AS-58944-01	AS-58944-01
55	Stk	Blower Wheel	70-23110-30	70-23110-30	70-23110-30
56		Cut-Off Tabulation	AE-64401-05	AE-64401-05	AE-64401-05
57	Stk	Blower Motor	51-23679-01	51-23679-02	51-23679-01
58	Stk	Capacitor - Blower Motor	43-100496-12	43-100496-12	43-100496-12
		Capacitor Strap	AE-50892-01	AE-50892-01	AE-50892-01
59		Motor Band	70-19927-01	70-19927-01	70-19927-01
60		Motor Mounting Arm (3)	70-19929-02	70-19929-02	70-19929-02
61		Blower Support - Back Side	AE-58950-02	AE-58950-02	AE-58950-02
		Blower Support Bracket - Drive Side	AE-59174-01	AE-59174-01	AE-59174-01

No.	Notes	MODEL TECHNICAL VARIATION COOLING CAPACITY ELECTRIC DESIGNATION DRIVE PACKAGE	RKPN-	RKPN-	RKPN-
			A 060 C K	A 060 D K	A 060 J K
<b>BLOWER GROUP - DIRECT DRIVE</b>					
53	Stk	Blower Assembly	AS-59050-18	AS-59050-31	AS-59050-18
54		Housing	AS-58944-01	AS-58944-01	AS-58944-01
55	Stk	Blower Wheel	70-23110-30	70-23110-30	70-23110-30
56		Cut-Off Tabulation	AE-64401-05	AE-64401-05	AE-64401-05
57	Stk	Blower Motor	51-101984-08	51-103624-03	51-101984-08
58		Capacitor - Blower Motor	N/A	N/A	N/A
		Capacitor Strap	N/A	N/A	N/A
59		Motor Band	70-19927-03	70-19927-03	70-19927-03
60		Motor Mounting Arm (3)	70-19929-09	70-19929-09	70-19929-09
61		Blower Support - Back Side	AE-58950-02	AE-58950-02	AE-58950-02
		Blower Support Bracket - Drive Side	AE-59174-01	AE-59174-01	AE-59174-01



No.	Notes	MODEL TECHNICAL VARIATION COOLING CAPACITY ELECTRICAL DESIGNATION DRIVE PACKAGE	RKPN- A 036-048 C L	RKPN- A 036-048 D L	RKPN- A 036-048 Y L	RKPN- A 036-048 C M	RKPN- A 036-048 D M	RKPN- A 036-048 Y M
<b>BLOWER GROUP - BELT DRIVE</b>								
62	Stk	Blower Assembly - Size 036 (Includes items 63-66 & 68-73, Excluding items 67 & 72b)	AS-101336-01	AS-101336-01	AS-101336-01	AS-101336-05	AS-101336-05	AS-101336-05
62	Stk	Blower Assembly - Size 048 (Includes items 63-66 & 68-73, Excluding items 67 & 72b)	AS-101336-05	AS-101336-05	AS-101336-05	AS-101336-04	AS-101336-04	AS-101336-04
63		Housing	AS-101341-01	AS-101341-01	AS-101341-01	AS-101341-01	AS-101341-01	AS-101341-01
64		Bearing Frame Tri-Arm (2)	70-41723-03	70-41723-03	70-41723-03	70-41723-03	70-41723-03	70-41723-03
65	Stk	Ball Bearing And Cushion (2)	70-41911-01	70-41911-01	70-41911-01	70-41911-01	70-41911-01	70-41911-01
66	Stk	Blower Shaft	70-21933-02	70-21933-02	70-21933-02	70-21933-02	70-21933-02	70-21933-02
67	Stk	Fixed Pitch Sheave - Size 036	71-100772-04	71-100772-04	71-100772-04	71-21932-03	71-21932-03	71-21932-03
67	Stk	Fixed Pitch Sheave - Size 048	71-21932-03	71-21932-03	71-21932-03	71-100772-02	71-100772-02	71-100772-02
68		Blower Support - Left	AE-58950-02	AE-58950-02	AE-58950-02	AE-58950-02	AE-58950-02	AE-58950-02
69	Stk	Blower Wheel	70-23589-01	70-23589-01	70-23589-01	70-23589-01	70-23589-01	70-23589-01
70		Cut-Off Tabulation	AE-64401-05	AE-64401-05	AE-64401-05	AE-64401-05	AE-64401-05	AE-64401-05

No.	Notes	MODEL TECHNICAL VARIATION COOLING CAPACITY ELECTRICAL DESIGNATION DRIVE PACKAGE	RKPN- A 036-048 C L	RKPN- A 036-048 D L	RKPN- A 036-048 Y L	RKPN- A 036-048 C M	RKPN- A 036-048 D M	RKPN- A 036-048 Y M
<b>BLOWER MOTOR MOUNTING - BELT DRIVE</b>								
MOTOR MOUNTING:								
71		Blower Bracket - Sizes 036-048	AE-101124-01	AE-101124-01	AE-101124-01	AE-101124-01	AE-101124-01	AE-101124-01
72		Blower Bracket - Drive Side - Sizes 036-048	AE-101124-04	AE-101124-04	AE-101124-04	AE-101124-04	AE-101124-04	AE-101124-04
72a		Grommet	56-18518-04	56-18518-04	56-18518-04	56-18518-04	56-18518-04	56-18518-04
72b		Cross Brace	AE-101467-01	AE-101467-01	AE-101467-01	AE-101467-01	AE-101467-01	AE-101467-01
73		Motor Mount Assembly - Sizes 036-048	AS-101340-01	AS-101340-01	AS-101340-01	AS-101340-01	AS-101340-01	AS-101340-01

No.	Notes	MODEL TECHNICAL VARIATION COOLING CAPACITY ELECTRICAL DESIGNATION DRIVE PACKAGE	RKPN- A 036-048 C L	RKPN- A 036-048 D L	RKPN- A 036-048 Y L	RKPN- A 036-048 C M	RKPN- A 036-048 D M	RKPN- A 036-048 Y M
<b>BLOWER MOTOR GROUP - BELT DRIVE</b>								
74		Blower Motor - Size 036	51-42579-01	51-42579-01	51-22241-02	51-42579-01	51-42579-01	51-22241-02
74		Blower Motor - Size 048	51-42579-01	51-42579-01	51-22241-02	51-21909-01	51-21909-01	51-22241-02
75		Variable Pitch Sheave - Size 036	71-40427-30	71-40427-30	71-40427-30	71-40427-25	71-40427-25	71-40427-25
75		Variable Pitch Sheave - Size 048	71-40427-29	71-40427-29	71-40427-29	71-40427-25	71-40427-25	71-40427-25
76		Belt - Size 036	71-40235-43	71-40235-43	71-40235-43	71-40235-43	71-40235-43	71-40235-43
76		Belt - Size 048	71-40235-42	71-40235-42	71-40235-42	71-40235-42	71-40235-42	71-40235-42

No.	Notes	MODEL TECHNICAL VARIATION COOLING CAPACITY ELECTRICAL DESIGNATION DRIVE PACKAGE	RKPN-	RKPN-	RKPN-	RKPN-	RKPN-	RKPN-
			A 060 C L	A 060 D L	A 060 Y L	A 060 C M	A 060 D M	A 060 Y M
<b>BLOWER GROUP - BELT DRIVE</b>								
62	Stk	Blower Assembly - Size 060 (Includes items 63-66 & 68-73, Excluding items 67 & 72b)	AS-101336-08	AS-101336-08	AS-101336-08	AS-101336-08	AS-101336-08	AS-101336-08
63		Housing	AS-101342-01	AS-101342-01	AS-101342-01	AS-101342-01	AS-101342-01	AS-101342-01
64		Bearing Frame Tri-Arm (2)	70-41723-02	70-41723-02	70-41723-02	70-41723-02	70-41723-02	70-41723-02
65	Stk	Ball Bearing And Cushion (2)	70-41911-01	70-41911-01	70-41911-01	70-41911-01	70-41911-01	70-41911-01
66	Stk	Blower Shaft	70-21933-02	70-21933-02	70-21933-02	70-21933-02	70-21933-02	70-21933-02
67	Stk	Fixed Pitch Sheave - Size 060	71-100772-04	71-100772-04	71-100772-04	71-100772-04	71-100772-04	71-100772-04
68		Blower Support - Left	AE-58950-02	AE-58950-02	AE-58950-02	AE-58950-02	AE-58950-02	AE-58950-02
69	Stk	Blower Wheel	70-21773-01	70-21773-01	70-21773-01	70-21773-01	70-21773-01	70-21773-01
70		Cut-Off Tabulation	AE-64401-18	AE-64401-18	AE-64401-18	AE-64401-18	AE-64401-18	AE-64401-18

No.	Notes	MODEL TECHNICAL VARIATION COOLING CAPACITY ELECTRICAL DESIGNATION DRIVE PACKAGE	RKPN-	RKPN-	RKPN-	RKPN-	RKPN-	RKPN-
			A 060 C L	A 060 D L	A 060 Y L	A 060 C M	A 060 D M	A 060 Y M
<b>BLOWER MOTOR MOUNTING - BELT DRIVE</b>								
MOTOR MOUNTING:								
71		Blower Bracket - Sizes 060	AE-101124-05	AE-101124-05	AE-101124-05	AE-101124-05	AE-101124-05	AE-101124-05
72		Blower Bracket - Drive Side - Sizes 060	AE-101124-03	AE-101124-03	AE-101124-03	AE-101124-03	AE-101124-03	AE-101124-03
72a		Grommet	56-18518-04	56-18518-04	56-18518-04	56-18518-04	56-18518-04	56-18518-04
72b		Cross Brace	AE-101467-01	AE-101467-01	AE-101467-01	AE-101467-01	AE-101467-01	AE-101467-01
73		Motor Mount Assembly - Sizes 060	AS-101340-01	AS-101340-01	AS-101340-01	AS-101340-01	AS-101340-01	AS-101340-01

No.	Notes	MODEL TECHNICAL VARIATION COOLING CAPACITY ELECTRICAL DESIGNATION DRIVE PACKAGE	RKPN-	RKPN-	RKPN-	RKPN-	RKPN-	RKPN-
			A 060 C L	A 060 D L	A 060 Y L	A 060 C M	A 060 D M	A 060 Y M
<b>BLOWER MOTOR GROUP - BELT DRIVE</b>								
74		Blower Motor - Size 060	51-21909-01	51-21909-01	51-22241-02	51-41936-01	51-41936-01	51-22241-01
75		Variable Pitch Sheave - Size 060	71-40427-29	71-40427-29	71-40427-29	71-40427-43	71-40427-43	71-40427-43
76		Belt - Size 060	71-40235-43	71-40235-43	71-40235-43	71-40235-44	71-40235-44	71-40235-44

No.	Notes	MODEL TECHNICAL VARIATION COOLING CAPACITY	RKPN- A 036	RKPN- A 048	RKPN- A 060
<b>COIL GROUP</b>					
6		Filter Keeper	AE-59168-01	AE-59168-01	AE-59168-01
<b>EVAPORATOR COIL:</b>					
77	Stk	Evaporator Coil (Coil and Frame Assembly)	AS-104531-02	AS-104531-01	AS-104531-01
	Stk	TXV - Sporlan	61-102211-34	61-102211-33	61-102211-32
80		Top Air Stop	AE-58933-01	AE-58933-01	AE-58933-01
81		Top Coil Support	AE-58941-01	AE-58941-01	AE-58941-01
82		Filter Channels (3) Center Is Two Channels Back To Back	AE-58934-01	AE-58934-01	AE-58934-01
83		Indoor Coil Drain Pan	68-23559-01	68-23559-01	68-23559-01
85		Filter - Disposable (2)	54-17531-10	54-17531-10	54-17531-10
<b>CONDENSER COIL:</b>					
84a	Stk	Condenser Coil	AS-104518-02	AS-104518-01	AS-104518-01
84b		Pad - Bottom Coil	68-104248-03 (4)	68-104248-03 (5)	68-104248-03 (5)
84c		Pad - Top Coil	68-20243-01	68-20243-01	68-20243-01
84d		Coil Filler Plate (2)	AS-104545-03H	AS-104545-03H	AS-104545-03H
84e		Stripping	68-42246-06	68-42246-06	68-42246-06
	Stk	Filter Drier	83-22755-03	83-22755-03	83-22755-03

No.	Notes	MODEL TECHNICAL VARIATION COOLING CAPACITY ELECTRICAL DESIGNATION	RKPN- A 036 J	RKPN- A 048 J	RKPN- A 060 J
<b>COMPRESSOR GROUP</b>					
<b>Compressor ID:</b>			<b>8689</b>	<b>8693</b>	<b>8697</b>
86	Stk	Compressor	55-102045-66S	55-102045-06S	55-102045-26S
40	Stk	Contactora	42-42478-04	42-102664-10	42-102664-10
41	Stk	Capacitor - Fan/Compressor	43-101665-41	43-101665-43	43-101665-47
50	Stk	Low Pressure Control	47-102240-03	47-102240-03	47-102240-03
51	Stk	High Pressure Control	47-23699-05	47-23699-05	47-23699-05
	Stk	Compressor Wiring Harness - Molded Plug	45-100834-80	45-100834-80	45-100834-80

No.	Notes	MODEL TECHNICAL VARIATION COOLING CAPACITY ELECTRICAL DESIGNATION	RKPN- A 036 C	RKPN- A 048 C	RKPN- A 060 C
<b>COMPRESSOR GROUP</b>					
<b>Compressor ID:</b>			<b>8690</b>	<b>8694</b>	<b>8698</b>
86	Stk	Compressor	55-102045-90S	55-102045-08S	55-102045-27S
40	Stk	Contactora	42-102664-08	42-102664-08	42-102664-08
50	Stk	Low Pressure Control	47-102240-03	47-102240-03	47-102240-03
51	Stk	High Pressure Control	47-23699-05	47-23699-05	47-23699-05
	Stk	Compressor Wiring Harness - Molded Plug	45-100834-80	45-100834-80	45-100834-80

No.	Notes	MODEL TECHNICAL VARIATION COOLING CAPACITY ELECTRICAL DESIGNATION	RKPN- A 036 D	RKPN- A 048 D	RKPN- A 060 D
<b>COMPRESSOR GROUP</b>					
<b>Compressor ID:</b>			<b>8691</b>	<b>8695</b>	<b>8699</b>
86	Stk	Compressor	55-102045-91S	55-102045-07S	55-102045-28S
40	Stk	Contactora	42-102664-08	42-102664-08	42-102664-08
50	Stk	Low Pressure Control	47-102240-03	47-102240-03	47-102240-03
51	Stk	High Pressure Control	47-23699-05	47-23699-05	47-23699-05
	Stk	Compressor Wiring Harness - Molded Plug	45-100834-80	45-100834-80	45-100834-80

No.	Notes	MODEL TECHNICAL VARIATION COOLING CAPACITY ELECTRICAL DESIGNATION	RKPN- A 036 Y	RKPN- A 048 Y	RKPN- A 060 Y
<b>COMPRESSOR GROUP</b>					
<b>Compressor ID:</b>			<b>8692</b>	<b>8696</b>	<b>8700</b>
86	Stk	Compressor	55-102045-92S	55-102045-42S	55-102045-41S
40	Stk	Contactora	42-102664-08	42-102664-08	42-102664-08
50	Stk	Low Pressure Control	47-102240-03	47-102240-03	47-102240-03
51	Stk	High Pressure Control	47-23699-05	47-23699-05	47-23699-05
	Stk	Compressor Wiring Harness - Molded Plug	45-100834-80	45-100834-80	45-100834-80

No.	Notes	MODEL TECHNICAL VARIATION HEATING CAPACITY	RKPN- A 08	RKPN- A 10	RKPN- A 12	RKPN- A 13
<b>HEAT EXCHANGER, BURNER/MANIFOLD</b>						
45	Stk	Main Limit - (Condenser Bulkhead) E - Electric	47-23610-19	47-23610-21	47-23610-27	47-23610-19
46		Main Limit Shield	AS-59152-01	AS-59152-01	AS-59152-01	AS-59152-01
87	Stk	Heat Exchanger - Includes Center Panel	AS-59066-01	AS-59066-05	AS-59066-04	AS-59066-04
88		Turbulators	AE-58922-01 (4)	AE-58922-01 (5)	AE-58922-01 (6)	AE-58922-01 (6)
89		NOX Inserts	N/A	N/A	N/A	N/A
90		Divider Plate Gasket	68-23680-02	68-23680-02	68-23680-02	68-23680-02
91		Divider Plate	AE-59067-01	AE-59067-01	AE-59067-01	AE-59067-01
92		Collector Box Gasket	68-23680-01	68-23680-01	68-23680-01	68-23680-01
93		Collector Box Cover	AE-59068-01	AE-59068-02	AE-59068-06	AE-59068-03
94		Flue Duct	75-23678-01	75-23678-01	75-23678-01	75-23678-01
95		Flue Duct Gasket	68-23680-03	68-23680-03	68-23680-03	68-23680-03
96		Burner Shield	AE-58886-01	AE-58886-01	AE-58886-01	AE-58886-01
97	Stk	Limit (Manual Reset)	47-22861-02 (1)	47-22861-02 (2)	47-22861-02 (2)	47-22861-02 (2)
98		Burner Compartment Floor	AE-58932-02	AE-58932-02	AE-58932-02	AE-58932-02

No.	Notes	MODEL TECHNICAL VARIATION HEATING CAPACITY	RKPN- A 08	RKPN- A 10	RKPN- A 12	RKPN- A 13
<b>BURNER / MANIFOLD GROUP</b>						
99	Stk	Burner Assembly	AS-60993-04	AS-60993-05	AS-60993-06	AS-60993-06
99a		Bushing	45-42519-01	45-42519-01	45-42519-01	45-42519-01
100		Burner Support - (Holds the Burners between the Burner Support Brackets)	AE-102650-01	AE-102650-01	AE-102650-01	AE-102650-01
101		Burner Support Bracket (2)	AE-61588-02	AE-61588-02	AE-61588-02	AE-61588-02
102	Stk	Manifold Assembly (w/o Orifices)	81-101153-01	81-101153-01	81-101153-01	81-101153-01
103		Square Head Plug - (Used on Manifold to plug extra holes)	81-23593-01 (3)	81-23593-01 (2)	81-23593-01 (1)	81-23593-01 (1)
104		Burner Orifice - Natural Gas:	See Orifice Selection Chart			
104		Burner Orifice - LP:	See Orifice Selection Chart			
104		Number of Orifices	(4)	(5)	(6)	(6)
105	Stk	Flame Sensor	62-23543-02	62-23543-02	62-23543-02	62-23543-02
106	Stk	Ignition Electrode and Cable	62-23556-01	62-23556-01	62-23556-01	62-23556-01

No.	Notes	MODEL GAS CODE	RKPN- 2G
<b>GAS CONTROLS</b>			
	Stk	Gas Valve - Natural Gas	60-100394-02
		Street Elbow	81-17487-01
		Nipple	81-40683-02
	Stk	LP Conversion Kit	EP-85H

No.	Notes	MODEL GAS CODE	RKPN- 1R
<b>GAS CONTROLS</b>			
	Stk	Gas Valve - Natural Gas	60-22447-07
		Street Elbow	81-17487-01
		Nipple	81-40683-02
	Stk	LP Conversion Kit	EP-85H

No.	Notes	MODEL GAS CODE	RKPN- 2A
<b>GAS CONTROLS</b>			
	Stk	Gas Valve - Natural Gas	60-24290-01
		Street Elbow	81-40271-04
	Stk	LP Conversion Kit	EP-84W

No.	Notes	MODEL GAS CODE	RKPN- 1X
<b>GAS CONTROLS</b>			
	Stk	Gas Valve - Natural Gas	60-23490-01
		Street Elbow	81-40271-04
	Stk	LP Conversion Kit	EP-84W

No.	Notes	MODEL TECHNICAL VARIATION COOLING CAPACITY	RKPN- A 036-060
<b>OPTIONS AND ACCESSORIES</b>			
		Louver Panel Kit (3 ton)	AXRX-AAD02B
		Louver Panel Kit (4 & 5 ton)	AXRX-AAD01B
		Freeze Stat	RXRX-AM04
		Low Ambient Control Kit	RXRZ-B01
		Time Delay Control Kit	RXMD-B01
		Economizer - Single Enthalpy	AXRD-01RECAM3
		Economizer - Smoke Detector	AXRD-01RECBM3
		Dual Enthalpy Upgrade Kit	RXRX-AV02
		Carbon Dioxide Sensor	RXRX-AR02
		Power Exhaust - "C" Voltage	AXRX-BGF04C
		Power Exhaust - "D" Voltage	AXRX-BGF04D
		Power Exhaust - "Y" Voltage	AXRX-BGF04Y
		Fresh Air Damper - Manual	AXRF-FBA1
		Fresh Air Damper - Motorized	AXRF-FBB1

**PACKAGE EQUIPMENT - ORIFICE SELECTION CHART - NATURAL GAS**

**CAUTION:** Selection of the correct Natural Gas Orifice requires the following information for the specific installation:

- 1) Furnace Input Rating (BTU/HR)
- 2) Number of Burners
- 2) Altitude (ft.)

For detailed information and instructions for Orifice selection, see the Gas Furnace LP Conversion Kit Index 92-21519-47 and the latest edition of the National Fuel Gas Code Handbook, or the National Standard of Canada, Natural Gas and Propane Installation Code, CAN B149.1.

**CAUTION:** This information is provided for replacement purposes only. Conversion for operation at High Altitude must be done using the kit specified on the product specification sheet for the unit.

NOTE: This Orifice sizing chart is based on a Natural Gas heating value of 1075 BTU/cu. ft and a pressure setting of 3.5 in. water column.

NOTE: Factory installed orifices are calculated and sized based on a Natural Gas heating value of 1075 BTU/cu. ft. and an elevation of 0 - 2000 ft.

Furnace Input Rating (BTU/HR)	Canadian High Altitude Derated Input (BTU/HR)	Number of Burners	Elevation (ft.)					
			Country					
			0 - 2000 U.S.	2001 - 4000 U.S.	4001 - 6000 U.S.	8000+ U.S.	0 - 2000 Canada	2001 - 4500 Canada
40,000	36,000	2	62-22175-45	62-22175-47	62-22175-48	62-22175-49	62-22175-45	62-22175-15
60,000	54,000	3	62-22175-45	62-22175-47	62-22175-48	62-22175-49	62-22175-45	62-22175-15
72,000	N/A	4	62-22175-15	62-22175-49	62-22175-50	62-22175-51	62-22175-15	N/A
80,000	72,000	4	62-22175-45	62-22175-47	62-22175-48	62-22175-49	62-22175-45	62-22175-15
90,000	N/A	5	62-22175-15	62-22175-49	62-22175-50	62-22175-51	62-22175-15	N/A
100,000	90,000	5	62-22175-45	62-22175-47	62-22175-48	62-22175-49	62-22175-45	62-22175-15
120,000	108,000	6	62-22175-45	62-22175-47	62-22175-48	62-22175-49	62-22175-45	62-22175-15
135,000	121,500	6	62-22175-44	62-22175-45	62-22175-47	62-22175-48	62-22175-44	62-22175-45
150,000	135,000	6	62-22175-42	62-22175-43	62-22175-44	62-22175-45	62-22175-42	62-22175-44
180,000	N/A	9	62-22175-45	62-22175-47	62-22175-48	62-22175-49	62-22175-45	N/A
210,000	N/A	9	62-22175-43	62-22175-44	62-22175-45	62-22175-47	62-22175-43	N/A
210,000	N/A	10	62-22175-45	62-22175-47	62-22175-48	62-22175-49	62-22175-45	N/A
225,000	202,500	9	62-22175-42	62-22175-43	62-22175-44	62-22175-45	62-22175-42	62-22175-44
250,000	225,000	10	62-22175-42	62-22175-43	62-22175-44	62-22175-45	62-22175-42	62-22175-44
252,000	225,000	9	62-22175-40	62-22175-42	62-22175-43	62-22175-44	62-22175-40	62-22175-42
252,000	N/A	12	62-22175-45	62-22175-47	62-22175-48	62-22175-49	62-22175-45	N/A
290,000	N/A	14	62-22175-45	62-22175-47	62-22175-48	62-22175-49	62-22175-45	N/A
300,000	270,000	12	62-22175-42	62-22175-43	62-22175-44	62-22175-45	62-22175-42	62-22175-44
330,000	N/A	14	62-22175-43	62-22175-44	62-22175-45	62-22175-47	62-22175-43	N/A
350,000	315,000	14	62-22175-42	62-22175-43	62-22175-44	62-22175-45	62-22175-42	62-22175-44
400,000	360,000	14	62-22175-40	62-22175-42	62-22175-43	62-22175-44	62-22175-40	62-22175-42

**PACKAGE EQUIPMENT - ORIFICE SELECTION CHART - LP**

**CAUTION:** Selection of the correct LP Orifice requires the following information for the specific installation:

- 1) Furnace Input Rating (BTU/HR)
- 2) Number of Burners
- 2) Altitude (ft.)

For detailed information and instructions for Orifice selection, see the Gas Furnace LP Conversion Kit Index 92-21519-47 and the latest edition of the National Fuel Gas Code Handbook, or the National Standard of Canada, Natural Gas and Propane Installation Code, CAN B149.1.

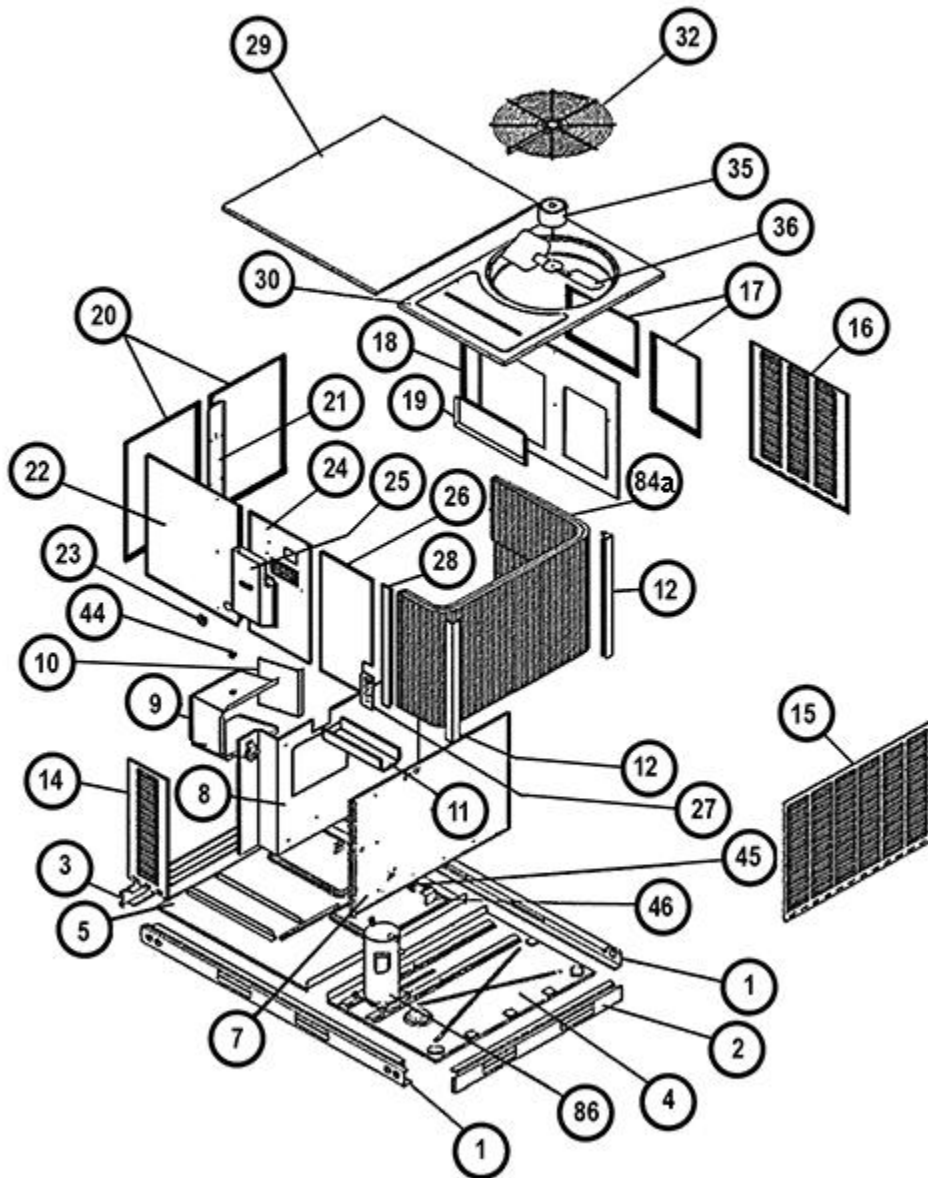
**CAUTION:** This information is provided for replacement purposes only. Conversion to LP or for operation at High Altitude should be done using the kit(s) specified on the product specification sheet for the unit.

NOTE: This Orifice sizing chart is developed using the specified pressure setting of 10 in. water column instead of the 11.0 in water column used by the NFG and CANB149.1.

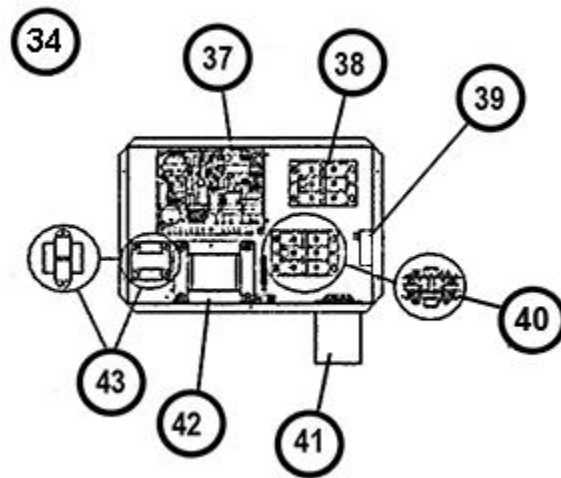
NOTE: Orifices supplied in the LP Conversion Kit are calculated and sized based on a heating value of 2500 BTU/cu. ft. and an elevation of 0 - 2000 ft.

Furnace Input Rating (BTU/HR)	Canadian High Altitude Derated Input (BTU/HR)	Number of Burners	Elevation (ft.)					
			Country					
			0 - 2000 U.S.	2001 - 4000 U.S.	4001 - 6000 U.S.	8000+ U.S.	0 - 2000 Canada	2001 - 4500 Canada
40,000	36,000	2	62-22175-55	62-22175-55	62-22175-56	62-22175-56	62-22175-55	62-22175-13
60,000	54,000	3	62-22175-55	62-22175-55	62-22175-56	62-22175-56	62-22175-55	62-22175-13
72,000	N/A	4	62-22175-13	62-22175-57	62-22175-57	62-22175-59	62-22175-13	N/A
80,000	72,000	4	62-22175-55	62-22175-55	62-22175-56	62-22175-56	62-22175-55	62-22175-13
90,000	N/A	5	62-22175-13	62-22175-57	62-22175-57	62-22175-59	62-22175-13	N/A
100,000	90,000	5	62-22175-55	62-22175-55	62-22175-56	62-22175-56	62-22175-55	62-22175-13
120,000	108,000	6	62-22175-55	62-22175-55	62-22175-56	62-22175-56	62-22175-55	62-22175-13
135,000	121,500	6	62-22175-54	62-22175-55	62-22175-55	62-22175-56	62-22175-54	62-22175-55
150,000	135,000	6	62-22175-54	62-22175-55	62-22175-55	62-22175-56	62-22175-54	62-22175-54
180,000	N/A	9	62-22175-55	62-22175-55	62-22175-56	62-22175-56	62-22175-55	N/A
210,000	N/A	9	62-22175-54	62-22175-55	62-22175-55	62-22175-56	62-22175-54	N/A
210,000	N/A	10	62-22175-55	62-22175-55	62-22175-56	62-22175-56	62-22175-55	N/A
225,000	202,500	9	62-22175-54	62-22175-55	62-22175-55	62-22175-56	62-22175-54	62-22175-54
250,000	225,000	10	62-22175-54	62-22175-55	62-22175-55	62-22175-56	62-22175-54	62-22175-54
252,000	225,000	9	62-22175-53	62-22175-54	62-22175-54	62-22175-55	62-22175-53	62-22175-54
252,000	N/A	12	62-22175-55	62-22175-55	62-22175-56	62-22175-56	62-22175-55	N/A
290,000	N/A	14	62-22175-55	62-22175-55	62-22175-56	62-22175-56	62-22175-55	N/A
300,000	270,000	12	62-22175-54	62-22175-55	62-22175-55	62-22175-56	62-22175-54	62-22175-54
330,000	N/A	14	62-22175-54	62-22175-55	62-22175-55	62-22175-56	62-22175-54	N/A
350,000	315,000	14	62-22175-54	62-22175-55	62-22175-55	62-22175-56	62-22175-54	62-22175-54
400,000	360,000	14	62-22175-53	62-22175-54	62-22175-54	62-22175-55	62-22175-53	62-22175-54

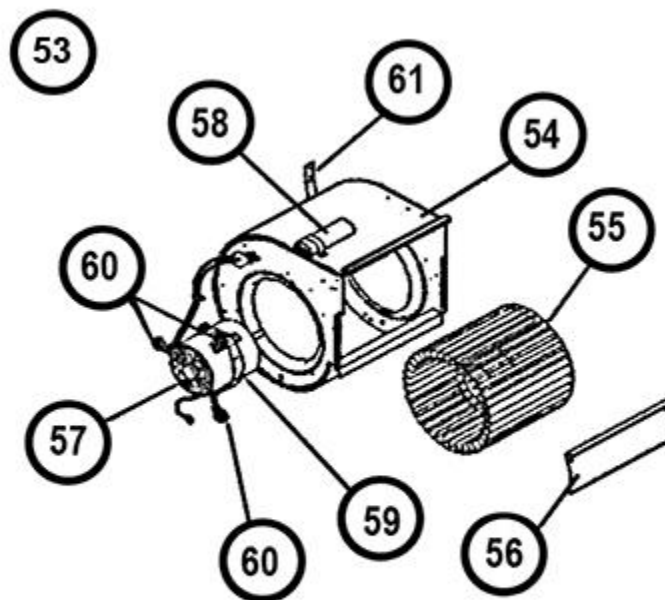




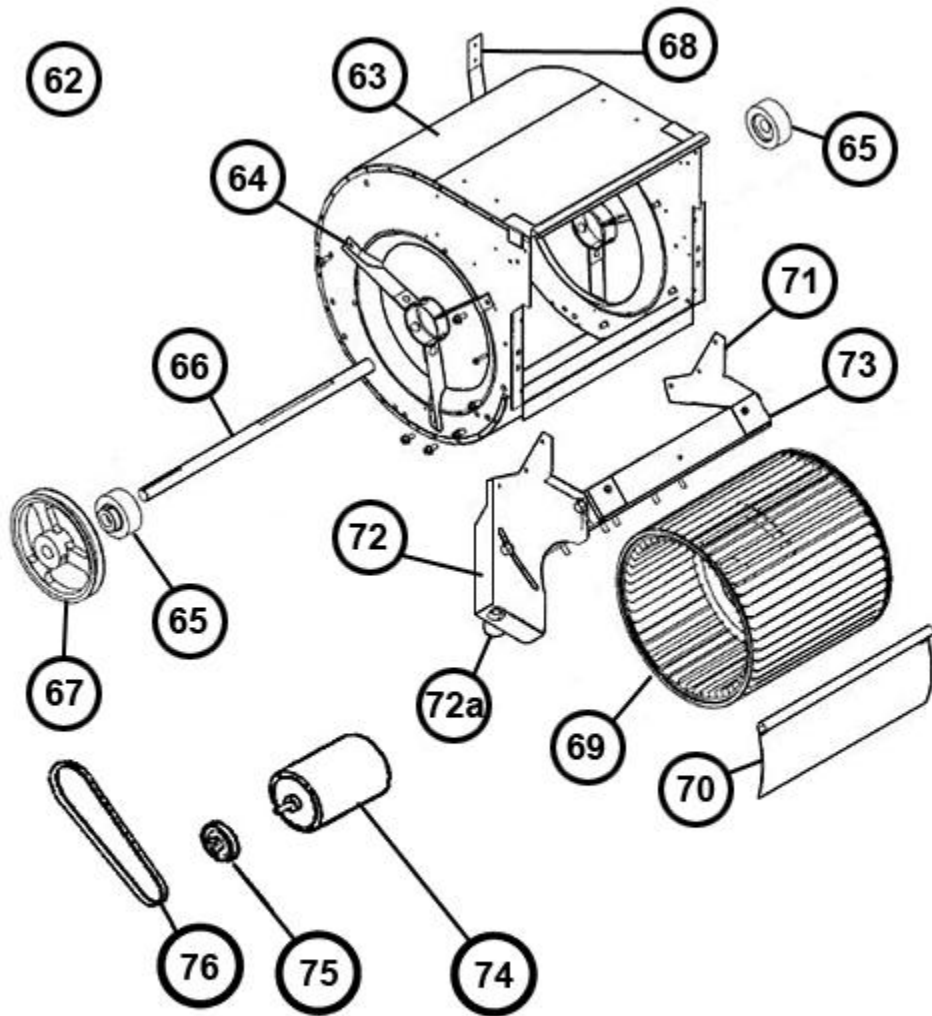
Exploded View



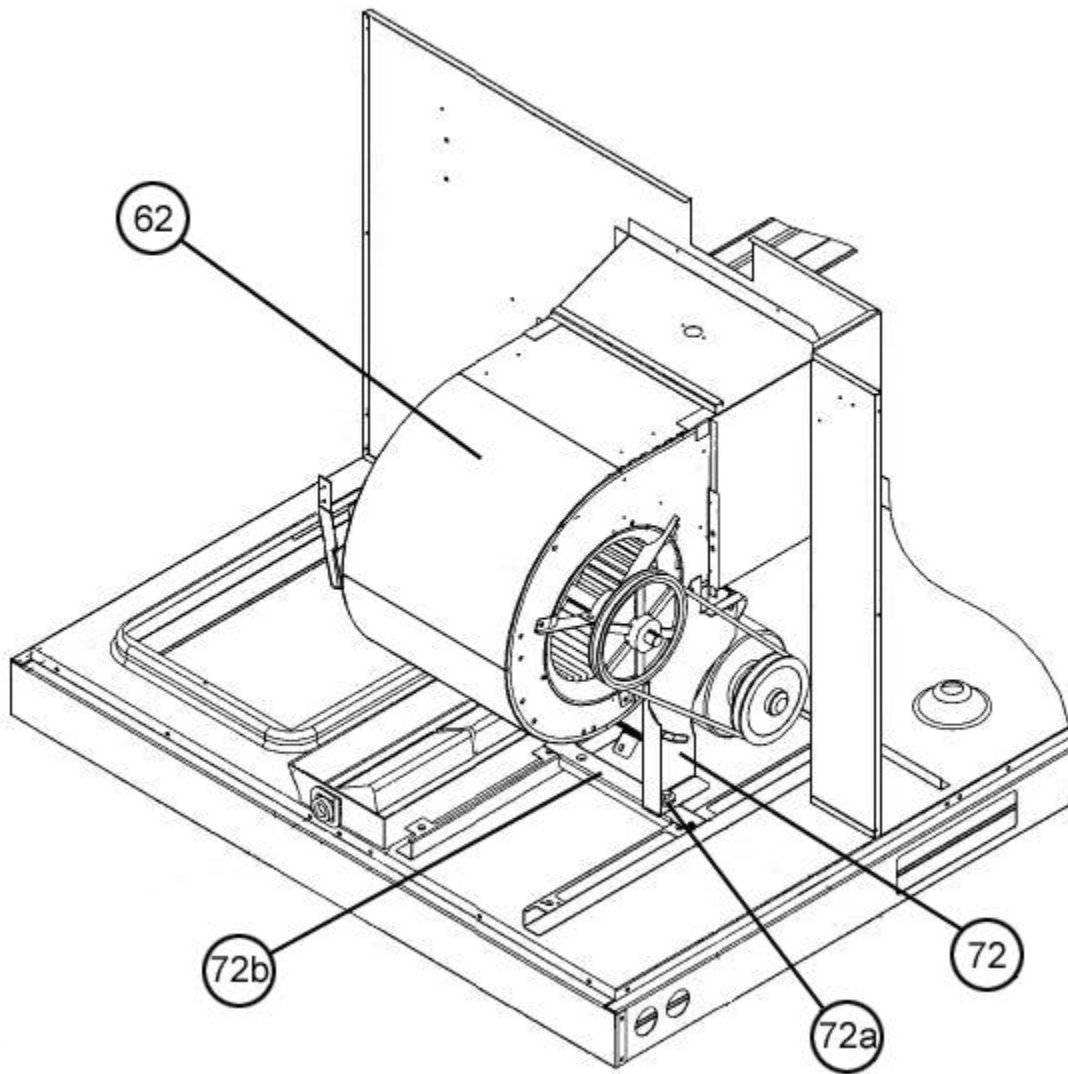
Control Box



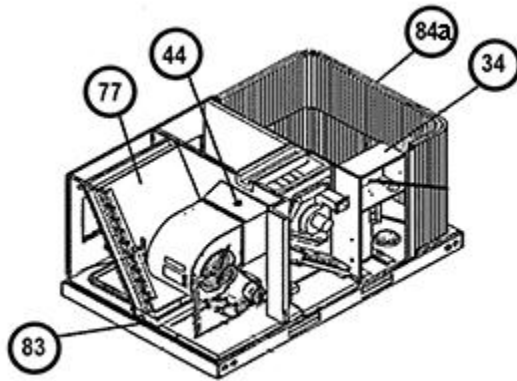
Blower Assembly - Direct Drive



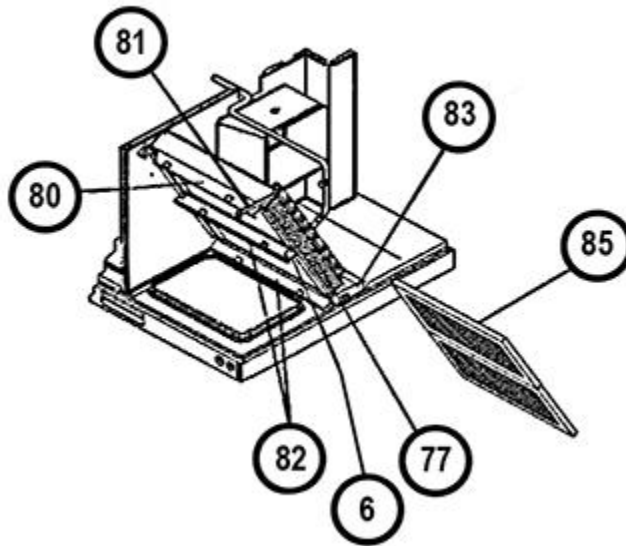
Blower Assembly - Belt Drive



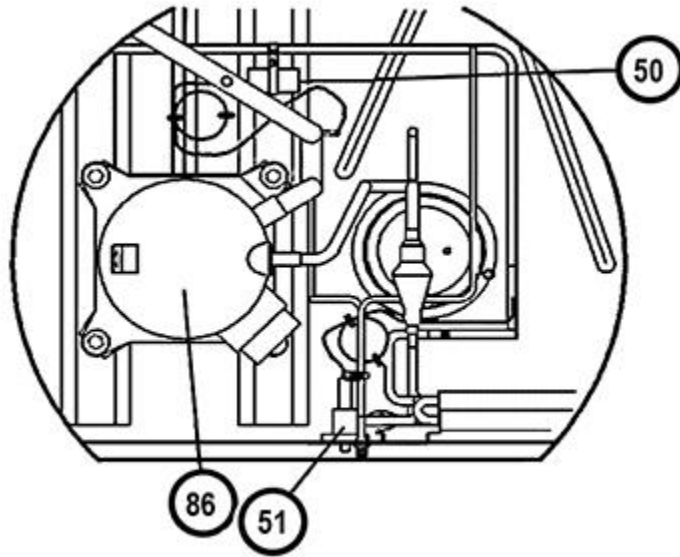
Blower Motor Mount Assembly - Belt Drive



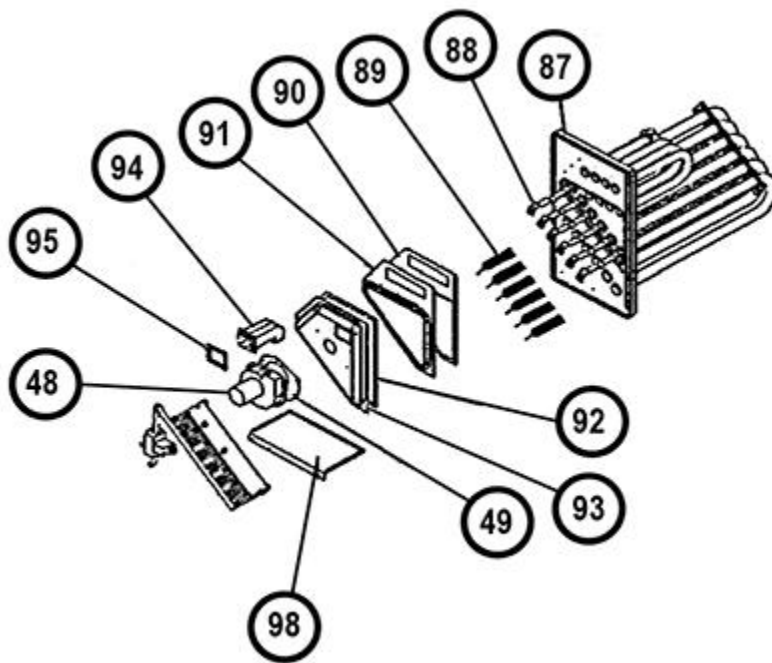
Coil Group Cut-away View



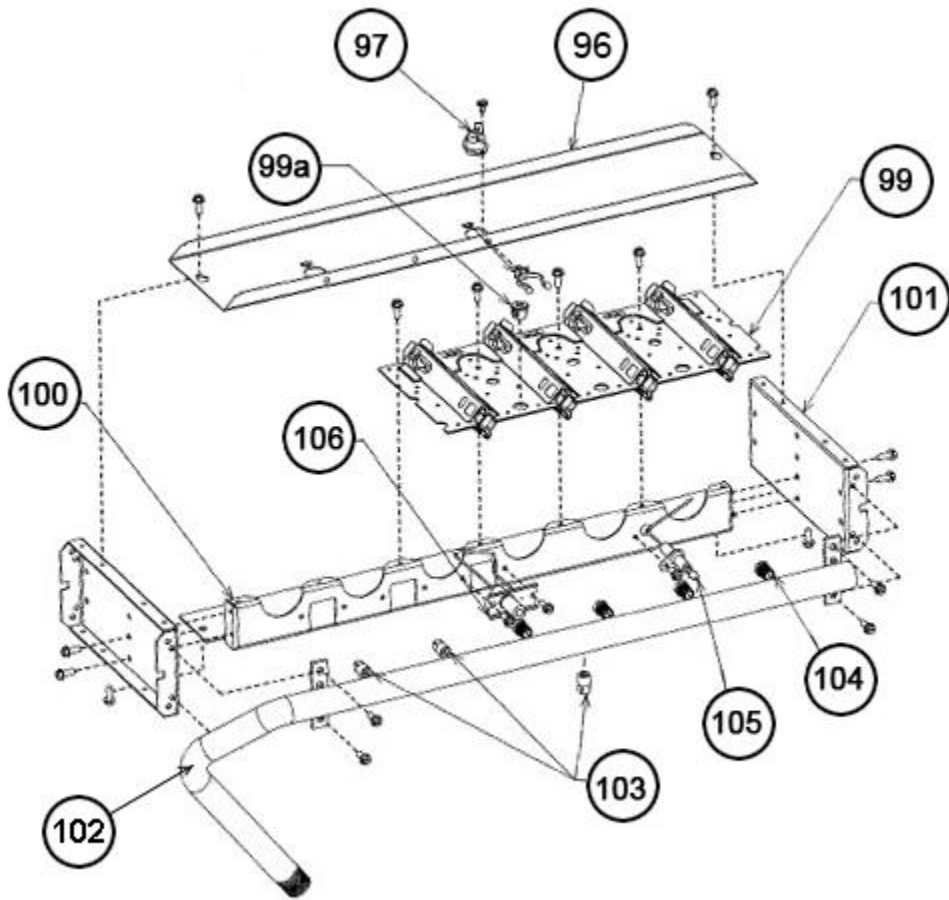
Evaporator Coil - Filter Parts



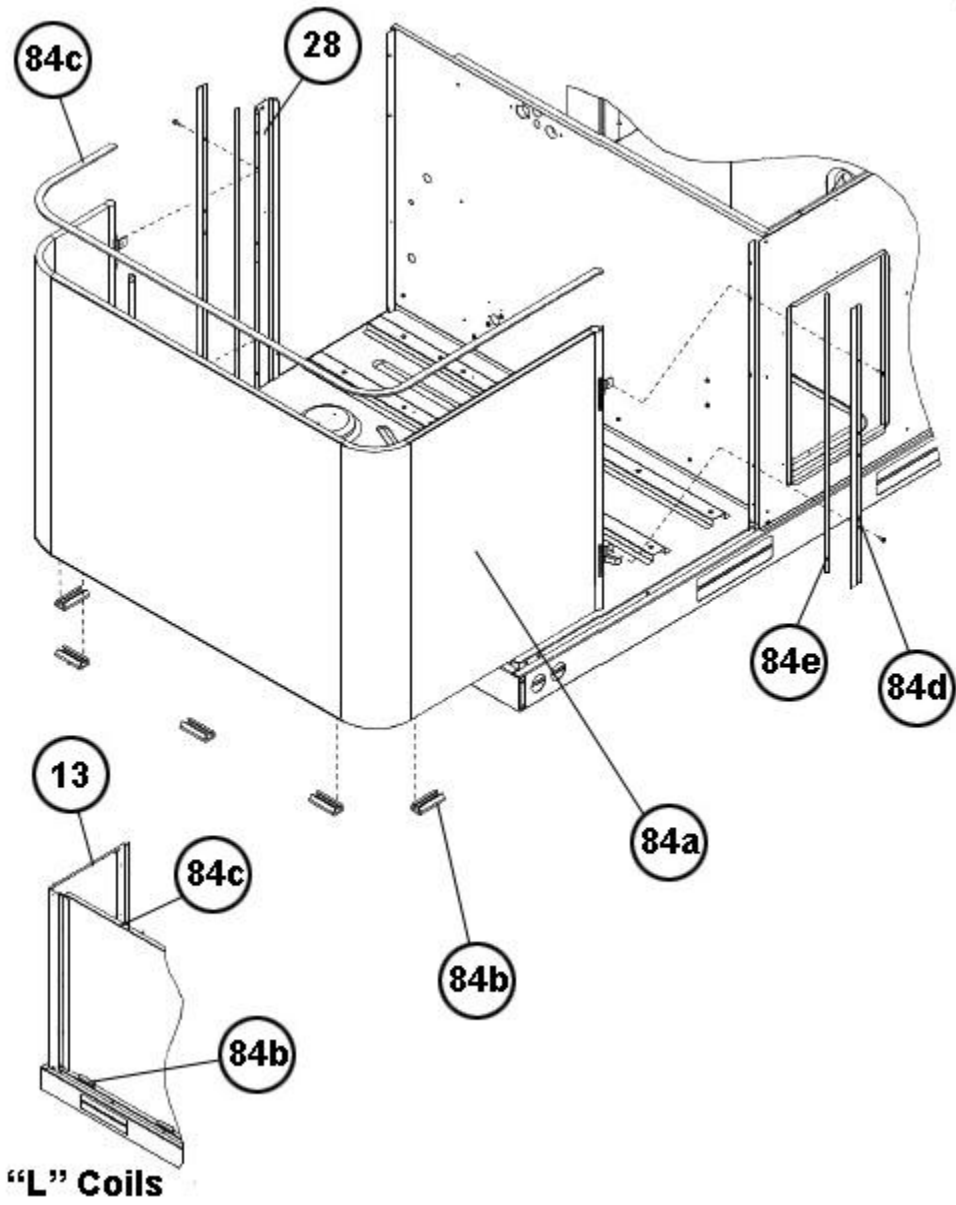
Compressor - Refrigeration Group



Heat Exchanger Assembly



One Piece Burner Assembly



**"L" Coils**

Condenser Coil Pads



# NOTES

Stk It is recommended that stock be maintained for this part.  
N/A Not Applicable

**DISCLAIMER:** This document is intended to provide general replacement parts information to aid qualified service personnel in the repair of these models. The complete Model and Serial Number of the unit under repair should be specified when selecting and ordering replacement parts. Specifications and illustrations are subject to change without notice. Document 92-42800-RKPN-A supersedes all previous parts lists for these models. See <http://www.rheempartslists.net/92-42800-RKPN-A> for the latest revision of this document. The manufacturer assumes no obligation for errors or omissions. Service personnel must verify the proper and safe operation of equipment after the replacement of any original components.