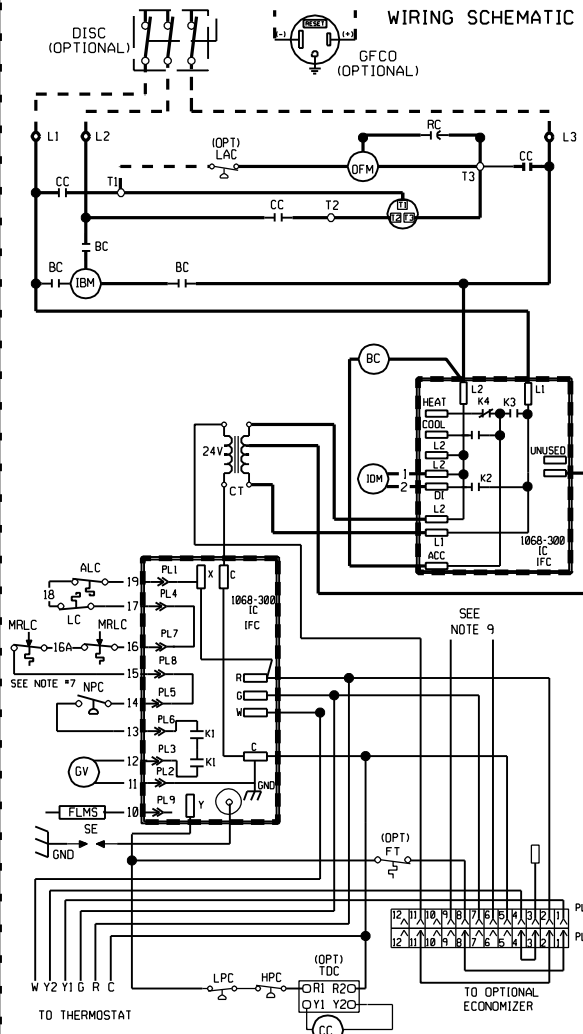
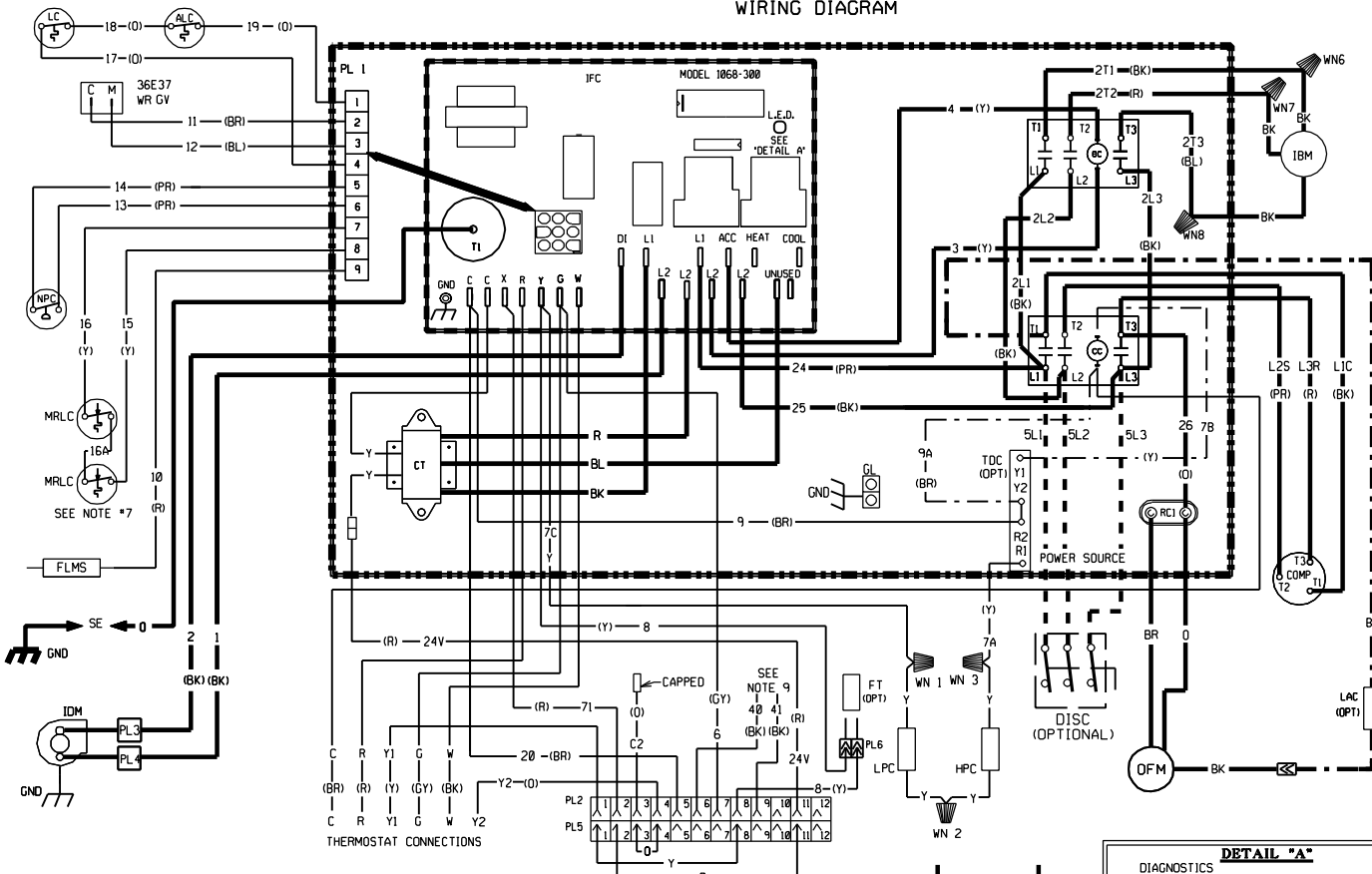


WIRING DIAGRAM



- DETAIL "A"**
- DIAGNOSTICS
- 1 FLASH - FAILED TO DETECT OR SUSTAIN FLAME.
 - 2 FLASH - PRESSURE SWITCH OR INDUCER PROBLEM DETECTED.
 - 3 FLASH - HIGH LIMIT SWITCH PROTECTION DEVICE OPEN.
 - 4 FLASH - FLAME SENSED AND GAS VALVE NOT ENERGIZED OR FLAME SENSED AND NO "W" SIGNAL.
 - 5 FLASH - FLAME ROLL OUT SWITCH OPEN.

COMPONENT CODE

ALC	AUX. LIMIT CONTROL	LC	LIMIT CONTROL
BC	BLOWER CONTACTOR	LPC	LOW PRESSURE CONTROL
CC	COMPRESSOR CONTACTOR	MRLC	MANUAL RESET LIMIT CONTROL
COMP	COMPRESSOR	NPC	NEGATIVE PRESSURE CONTROL
CT	CONTROL TRANSFORMER	OFM	OUTDOOR FAN MOTOR
DISC	DISCONNECT SWITCH	PLUG	PLUG
FLMS	FLAME SENSOR	RC	RUN CAPACITOR
FT	FREEZE STAT	SD	SMOKE DETECTOR
GFCO	GROUND FAULT CONVENIENCE OUTLET	SE	SPARK ELECTRODE
GL	GROUND LUG	TDC	TIME DELAY CONTROL
GND	GROUND	WN	WIRE NUT
GV	GAS VALVE		
HPC	HIGH PRESSURE CONTROL		
IBM	INDOOR BLOWER MOTOR DIRECT DRIVE		
IDM	INDUCED DRAFT MOTOR		
IFC	INTERGRATED FURNACE CONTROL		
LAC	LOW AMBIENT COOLING CONTROL		

NOTES:

1. CONNECTORS SUITABLE FOR USE WITH COPPER CONDUCTORS ONLY.
2. COMPRESSOR MOTOR THERMALLY PROTECTED. ALL 3 PHASE MODELS ARE PROTECTED UNDER PRIMARY SINGLE PHASE CONDITIONS.
3. CONTROL TRANSFORMER PRIMARY LEADS; RED-COMMON, BLUE-208V, BLACK-230V. TRANSFORMER FACTORY WIRED FOR 230 VOLTS. INTERCHANGE BLACK FOR BLUE LEADS FOR 208V OPERATION.
4. CONTACTOR FACTORY WIRED. CONNECT FIELD WIRE TO FACTORY SUPPLIED CONTACTOR IN ELECTRICAL BOX.
5. LOW VOLTAGE CIRCUIT IS N.E.C. CLASS 2 WITH A CLASS 2 TRANSFORMER, 24V, 50/60 HZ SUPPLIED.
6. CONNECT FIELD WIRING IN GROUNDED RAIN TIGHT CONDUIT TO 60 HZ FUSED DISCONNECT.
7. ONLY ONE MRLC IS NEEDED ON THE 80,000 INPUT UNIT.
8. MOTOR FACTORY WIRED FOR CORRECT SPEED.
9. WIRES FROM PL 2 16 & 91 GO TO THE MIXED AIR SENSOR ON THE OPTIONAL ECONOMIZER.
10. Y2 IS USED ONLY FOR THE OPTIONAL ECONOMIZER.

WIRING INFORMATION

LINE VOLTAGE
 -FACTORY STANDARD
 -FACTORY OPTION
 -FIELD INSTALLED
 LOW VOLTAGE
 -FACTORY STANDARD
 -FACTORY OPTION
 -FIELD INSTALLED
 REPLACEMENT WIRE
 -MUST BE THE SAME SIZE AND TYPE OF INSULATION AS ORIGINAL (105 C.MIN.)
 WARNING
 -CABINET MUST BE PERMANENTLY GROUNDED AND CONFORM TO I.E.C., N.E.C., C.E.C., NATIONAL WIRING REGULATIONS, AND LOCAL CODES AS APPLICABLE.

WIRE COLOR CODE

BK	BLACK	O	ORANGE
BR	BROWN	PR	PURPLE
BL	BLUE	R	RED
G	GREEN	W	WHITE
GY	GRAY	Y	YELLOW

ELECTRICAL WIRING DIAGRAM

208 / 230, 3 PHASE, 60 HZ
BELT DRIVE