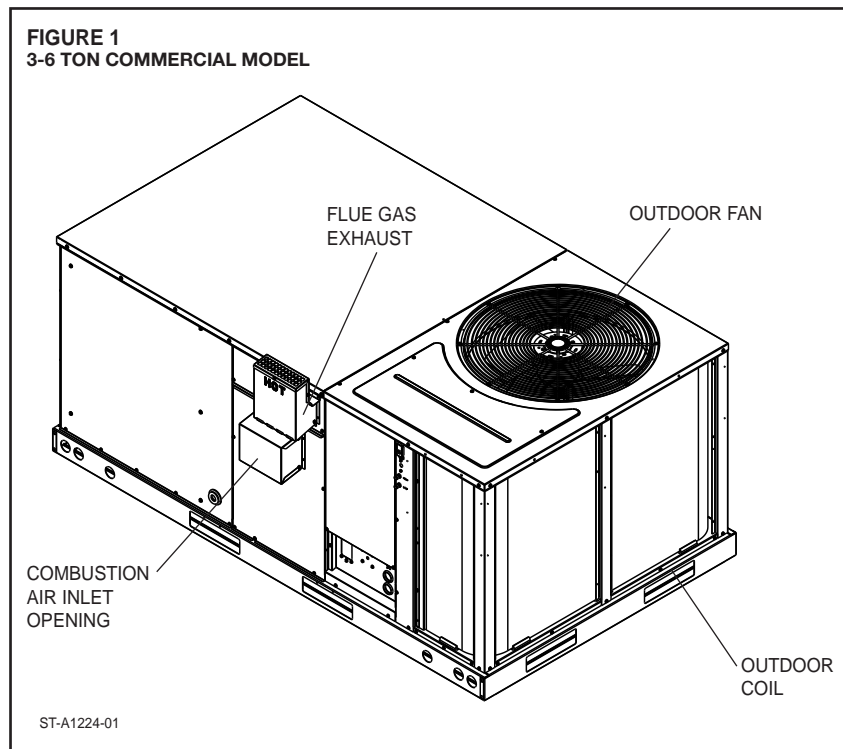


USER'S INFORMATION MANUAL

FOR YOUR COMBINATION GAS HEATING/ELECTRIC COOLING AIR CONDITIONING UNIT

DO NOT DESTROY. PLEASE READ CAREFULLY AND KEEP IN A SAFE PLACE FOR FUTURE REFERENCE BY A SERVICEMAN OR USER OF THIS APPLIANCE.

FIGURE 1
3-6 TON COMMERCIAL MODEL



▲ WARNING

IF THE INFORMATION IN THESE INSTRUCTIONS IS NOT FOLLOWED EXACTLY, A FIRE OR EXPLOSION MAY RESULT, CAUSING PROPERTY DAMAGE, PERSONAL INJURY OR DEATH.

▲ FOR YOUR SAFETY

- Do not store or use gasoline or other flammable vapors and liquids, or other combustible materials in the vicinity of this or any other appliance.
- **WHAT TO DO IF YOU SMELL GAS**
 - Do not try to light any appliance.
 - Do not touch any electrical switch; do not use any phone in your building.
 - Immediately call your gas supplier from a neighbor's phone. Follow the gas supplier's instructions.
 - If you cannot reach your gas supplier, call the fire department.
 - Do not return to your home until authorized by the gas supplier or fire department.
- **DO NOT RELY ON SMELL ALONE TO DETECT LEAKS. DUE TO VARIOUS FACTORS, YOU MAY NOT BE ABLE TO SMELL FUEL GASES.**
 - U.L. recognized fuel gas and CO detectors are recommended in all applications, and their installation should be in accordance with the manufacturer's recommendations and/or local laws, rules, regulations, or customs
- **Installation and service must be performed by a qualified installer, service agency or the gas supplier.**



INTRODUCTION



Recognize this symbol as an indication of Important Safety Information!

This manual contains the operating instructions for your combination gas/electric year-round air conditioner. There are precautions that should be taken to maximize satisfaction from this air conditioner.

IMPORTANT: COMPLETELY READ ALL INSTRUCTIONS PRIOR TO ATTEMPTING TO OPERATE OR MAINTAIN THE PRODUCT.

This unit has been designed to give you many years of efficient, dependable comfort. With regular maintenance, your unit will operate satisfactorily year after year. Please read this manual to familiarize yourself with operation, maintenance and safety procedures.

SAFETY

Carefully follow these safety rules:

1. The area around the unit must be kept clear and free of all combustible materials including gasoline and other flammable vapors and liquids.
2. Do not block the combustion air inlets or the exhaust air outlet openings. See Figure 1.
3. Do not operate the unit without all panels and doors securely in place.

▲ WARNING

SHOULD OVERHEATING OCCUR OR THE GAS SUPPLY FAIL TO SHUT OFF, SHUT OFF THE MANUAL GAS VALVE TO THE APPLIANCE BEFORE SHUTTING OFF THE ELECTRICAL SUPPLY. FAILURE TO DO SO CAN RESULT IN AN EXPLOSION OR FIRE CAUSING PROPERTY DAMAGE, SEVERE PERSONAL INJURY OR DEATH!

4. Any additions, changes or conversions required in order for the unit to satisfactorily meet the application needs should be made by a qualified installer, service agency or the gas supplier, using factory specified or approved parts. Read your WARRANTY. Contact the WARRANTOR for conversion information. The unit was equipped at the factory for use on NATURAL GAS ONLY. Conversion to LP GAS requires a special kit supplied by the WARRANTOR.

▲ WARNING

OBSTRUCTION OF THE AIR VENT ON AN LP TANK REGULATOR CAN CAUSE EXPLOSION OR FIRE RESULTING IN SERIOUS PERSONAL INJURY, DEATH OR PROPERTY DAMAGE. PERIODICALLY INSPECT AND CLEAN THE AIR VENT SCREEN TO PREVENT ANY OBSTRUCTION. KEEP PROTECTIVE REGULATOR COVER IN PLACE, AS EXPOSURE TO THE ELEMENTS CAN CAUSE ICE BUILDUP AND REGULATOR FAILURE.

5. A gas burner needs an adequate supply of combustion and ventilation air for proper and safe operation. Do not block or obstruct air openings on the unit. Do not place anything around the unit that could block the flow of fresh air to the unit.
6. Do not use this unit if any part has been under water. Immediately call a qualified installer, service agency or the gas supplier to inspect the unit and to replace any part of the control system or any gas control that has been under water.

▲ WARNING

DO NOT ALLOW DEBRIS SUCH AS LEAVES, GRASS, WEEDS, SHRUBS, VINES OR SNOW ACCUMULATE IN THE AREA SURROUNDING THE UNIT, PARTICULARLY IN THE VICINITY OF THE VENT, AIR INTAKE AND A/C CONDENSER FINS. DOING SO CAN RESULT IN INADEQUATE UNIT PERFORMANCE OR CREATE A FIRE HAZARD RESULTING IN PROPERTY DAMAGE, PERSONAL INJURY OR DEATH.

7. The combustion air inlet/exhaust outlet hood and surrounding area are very hot when operating in heating mode. **Do not allow children to play on or around the unit.**

SYSTEM OPERATION INFORMATION

Advice to the Customer

1. Keep the filter clean. Your system will operate more efficiently and provide better conditioned air.
2. Arrange your furniture and drapes so that the supply and return air registers and grilles are unobstructed.
3. Close doors and windows. This will reduce the cooling load on your system for a more economical operation.
4. Avoid excessive use of exhaust fans.
5. Window shades and awnings will reduce the cooling load.
6. Do not permit the heat generated by television, lamps or radios to influence the thermostat operation.
7. Except for the mounting platform, keep all combustible articles

three feet from the unit and exhaust system.

8. Unless you plan to remove panels to service the unit, do not disconnect the main power to your unit. This is a safety precaution for the protection of the compressor. Otherwise, use the thermostat switches to shut the system off.
9. For extended periods of inoperation, set the thermostat system switch in the "OFF" position and fan switch in the "AUTO" position.
10. Do not allow the unit to become a play stand for children.

THERMOSTAT OPERATION

We find most air conditioning units are installed with a single stage heating and cooling thermostat which includes a manual heat/cool system switch and a manual auto/on fan switch.

For cooling, position the system switch to "Cool" and the fan switch to "Auto." If constant fan operation is desired, place the fan switch in the "On" position.

When heating is desired, position the system switch to "HEAT" and place the fan switch in the "Auto" position.

During the heating season, the operation of the warm air furnace is automatic. Your installing dealer has provided a wall mounted thermostat which is sensitive to the change in the temperature of the air moving around the thermostat. When the temperature of the air within the heated space surrounding the thermostat decreases, the thermostat switch functions to initiate the ignition sequence and open the gas valve.

The spark ignitor located on the main burner tray will safely ignite the gas (natural or LP) leaving the main burner ports. After approximately 30 seconds of burner operation, the blower control will start the blower. Warm air should now gently circulate from the supply diffusers throughout the dwelling and return to the furnace through return air grille(s).

When the temperature of the circulating air reaches the temperature setting of the thermostat, the gas valve will reclose, the heat exchanger will cool, and the blower will shut off after 90 seconds.

In the cooling mode, the compressor and circulation air motor are energized upon a call for cooling. When the thermostat is satisfied or turned to the "OFF" position, the compressor is de-energized, but the circulation air blower continues to operate for approximately 60 seconds to extract the residual cooling left in the cooling coil.

We suggest that you experiment with **constant air circulation** during the heating and cooling cycles. To achieve this style of operation, place the fan switch on the thermostat subbase to the "on" position. You may enjoy the comfort associated with the continuous air movement, constant air filtration, and the near even temperature from floor to ceiling.

With continuous air circulation, some condensation on the cooling coil can reevaporate at the end of each cycle and cause a buildup of humidity prior to the next cooling cycle.

SELECTION OF ROOM TEMPERATURE

It is most important to select the comfort temperature you desire for either heating or cooling by use of the thermostat temperature selector.

DO NOT PLAY WITH THE THERMOSTAT. SET IT AND FORGET IT.

If the temperature selection procedure is new to you, ask your installing contractor to familiarize you with the operation of the thermostat.

HEATING OPERATION

FOR YOUR SAFETY, READ BEFORE OPERATING

▲ WARNING

IF YOU DO NOT FOLLOW THESE INSTRUCTIONS EXACTLY, A FIRE OR EXPLOSION MAY RESULT CAUSING PROPERTY DAMAGE, PERSONAL INJURY OR LOSS OF LIFE.

- A. This appliance is equipped with an ignition device which automatically lights the burners. Do **not** try to light the burners by hand.
- B. BEFORE OPERATING smell all around the appliance area for gas. Be sure to smell next to the ground because some gas is heavier than air and will settle on the ground.

WHAT TO DO IF YOU SMELL GAS

- Do not try to light any appliance.
 - Do not touch any electric switch, do not use any phone in your building.
 - Immediately call your gas supplier from a neighbor's phone. Follow the gas supplier's instructions.
 - If you cannot reach your gas supplier, call the fire department.
 - Do not return to your home until authorized by the gas supplier for fire department.
- C. Use only your hand to push in or turn the gas control knob. Never use tools. If the knob will not push in or turn by hand, don't try to repair it, call a qualified installer, service agency or the gas supplier. Force or attempted repair may result in a fire or explosion.
 - D. Do not use this appliance if any part has been under water. Immediately call a qualified installer, service agency or the gas supplier to inspect the appliance and to replace any part of the control system and any gas control valve, electrical components, motors or burners which have been under water.

SEQUENCE OF OPERATION

This unit is equipped with an integrated circulating air blower/induced draft blower control board that works in conjunction with a remote sense direct spark ignition control.

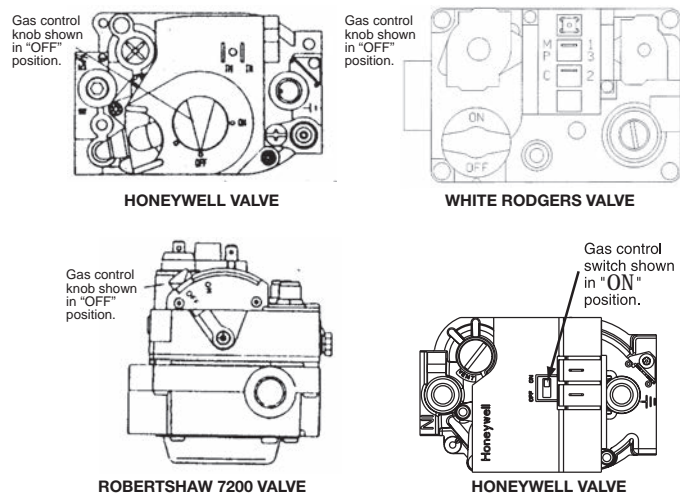
1. Each time thermostat contacts close, the induced draft blower operates a prepurge cycle.
2. The air proving negative pressure switch closes.
3. The main gas burner cycle starts.

4. **Thirty seconds after the pressure switch closes, the gas valve opens and the ignitor sparks for approximately 7 seconds** or until the remote flame is sensed at the remote flame sensor. The induced draft blower continues to run for the complete heating cycle.
5. If the flame is not sensed during this 7 second trial for ignition, the control will repeat the prepurge cycle and ignition cycle **two (2) additional times if needed.**
6. After a **total of three (3) cycles** without sensing main burner flame, the system will then go into a 100% lockout mode.
7. After one hour, the ignition control will repeat the prepurge and ignition cycles for **3 tries** and then go into 100% lockout mode again.
8. It will continue this sequence of cycles and lockout each hour until ignition is successful or power is interrupted.
9. During the lockout mode, neither the ignitor or the gas valve will be energized until the system is reset by turning the thermostat to the "OFF" position or interrupting the electrical power to the unit for 10 seconds or longer.
10. The induced draft blower and main burner will shut off when the thermostat is satisfied.
11. The fixed time blower control will start the circulating air blower on the heat speed **approximately twenty to thirty (20 to 30) seconds after the main burners are ignited.**
12. The circulating air blower will continue to run during the burner operation and then shut down at **approximately ninety (90) seconds after the thermostat is satisfied and the burners are shut off.**
13. The circulating air blower will start and run on the heat speed if the thermostat fan switch is in the "ON" position.

SUMMARY OF NORMAL FURNACE OPERATING SEQUENCE

1. Thermostat calls for heat
2. Induced draft blower is energized.
3. Air proving pressure switch closes.
4. 30 second prepurge is initiated.
5. Gas valve opens and ignitor is energized for 7 second trial for ignition period.
6. Burners ignite and flame sensor proves all burners have lit (maximum of 3 trials for ignition each hour).
7. The circulating blower is energized after 20-30 seconds.
8. Thermostat is satisfied and opens.
9. The gas valve is de-energized and closes, shutting down the burner flame.
10. The circulating air blower is de-energized after 90 seconds.

FIGURE 2



LIGHTING INSTRUCTIONS

This appliance is equipped with a direct spark intermittent ignition device. This device lights the main burners each time the room thermostat (closes) calls for heat. See lighting instruction on the furnace.

TO START THE FURNACE

1. STOP! Read the safety information on the Operating Instructions Label located on this appliance.

▲ WARNING

IF YOU DO NOT FOLLOW THESE INSTRUCTIONS EXACTLY, A FIRE OR EXPLOSION MAY RESULT CAUSING PROPERTY DAMAGE, PERSONAL INJURY OR LOSS OF LIFE.

2. Set the thermostat to the lowest setting.
3. Turn off all electric power to the appliance.
4. This appliance does not have a pilot. It is equipped with an ignition device which automatically lights the burner. Do **NOT** try to light the burner by hand.
5. Remove control door/access panel.
6. Move switch to the "OFF" position.
7. Wait five (5) minutes to clear out any gas. Then smell for gas, including near the floor. If you smell gas STOP!

- Do not try to light any appliance.
- Do not touch any electric switch; do not use any phone in your building.
- Immediately call your gas supplier from a neighbor's phone. Follow the gas supplier's instructions.
- If you cannot reach your gas supplier, call the fire department.

If you don't smell gas, go to the next step.

8. Move switch from "OFF" position to "ON" position.
9. Replace control door.
10. Turn on all electric power to the appliance.

11. Set the thermostat to desired setting.
12. If the appliance will not operate, follow the instructions "To Turn Off Gas To Appliance" and call your service technician or gas supplier.

▲ WARNING

THE SPARK IGNITOR AND IGNITION LEAD FROM THE IGNITION CONTROL ARE HIGH VOLTAGE. KEEP HANDS OR TOOLS AWAY TO PREVENT HAZARD FROM ELECTRICAL SHOCK WHICH CAN RESULT IN SEVERE PERSONAL INJURY OR DEATH. SHUT OFF ELECTRICAL POWER BEFORE SERVICING ANY OF THE CONTROLS.

The initial start-up on a new installation may require the control system to be energized for some time until any air has bled through the system and fuel gas is available at the burners.

TO SHUT DOWN FURNACE

1. Set the thermostat to the lowest setting.
2. Turn off all electric power to the appliance if service is to be performed.
3. Remove control door.
4. Move switch to the "OFF" position.
5. Replace control door.

▲ WARNING

SHOULD OVERHEATING OCCUR OR THE GAS SUPPLY FAIL TO SHUT OFF, SHUT OFF THE MANUAL GAS VALVE TO THE APPLIANCE BEFORE SHUTTING OFF THE ELECTRICAL SUPPLY. FAILURE TO DO SO CAN CAUSE AN EXPLOSION OR FIRE, RESULTING IN PROPERTY DAMAGE, SEVERE PERSONAL INJURY OR DEATH.

MANUAL RESET OVERTEMPERATURE CONTROL

A manual reset limit control is located on the burner shield. This device senses blockage in the heat exchanger or insufficient combustion air. This will shut off the main burners if excessive temperatures occur in the burner compartment.

Operation of this control indicates an abnormal condition. Therefore, the unit should be examined by a qualified installer, service agency, or the gas supplier.

▲ WARNING

DO NOT ATTEMPT TO DEFEAT THIS IMPORTANT SAFETY DEVICE. DO NOT RESET THE OVERTEMPERATURE CONTROL WITHOUT TAKING CORRECTIVE ACTION TO ASSURE THAT AN ADEQUATE SUPPLY OF COMBUSTION AIR IS MAINTAINED UNDER ALL CONDITIONS OF OPERATION AND THAT NO HEAT EXCHANGER TUBES ARE BLOCKED OR PERFORATED. REPLACE THIS CONTROL ONLY WITH THE IDENTICAL REPLACEMENT PART. FAILURE TO ADHERE TO THIS WARNING CAN RESULT IN PERSONAL INJURY OR DEATH.

TROUBLESHOOTING - HEATING

PROBLEM

Insufficient heating —

REMEDY

- a. Increase temperature setting on thermostat.
- b. Check return air filters and change, if necessary.
- c. Recheck to assure that all supply registers and diffusers are open.
- d. Check closing of all doors and windows.
- e. Check that blower compartment doors are in place.
- f. Call your servicing contractor.

COOLING OPERATION

To Operate Cooling System

To Start: Set thermostat at desired setting with system switch on "Cool" and fan switch on "Auto" or "On" position.

To Shut Down: Set thermostat to "Off" position.

SEQUENCE OF OPERATION - COOLING

1. Thermostat calls for cooling.
2. Compressor, condenser fan motor, and circulation air blower are energized.
3. Thermostat is satisfied and opens.
4. Compressor and condenser fan motor are de-energized.
5. Circulation air blower is de-energized after 60 seconds.

GENERAL INFORMATION - COOLING

1. If your outdoor unit is equipped with an optional external manual high pressure switch reset button, have your servicing contractor familiarize you with its location. Many models have compressors equipped with internal pressure relief valves using an automatic reset feature eliminating the need for an external control. This high pressure switch or the relief valve will open under excessive high pressures to protect the compressor. Some models with internal relief valves will require power interruption prior to resetting itself. The high refrigerant pressure may be due to a temporary condition, so if your unit is equipped with a reset button, you may reset it as required. However, if the problem persists, refer to Item 3, and/or refer the problem to your servicing contractor.

2. If the condenser coil is allowed to become restricted by dirt, lint, paper, grass clippings, leaves, etc., the system efficiency will suffer and abnormally high refrigerant operating pressures will result. To correct this condition, be sure to first cut off power to the unit and then clean such material from the condenser coil and cabinet. Using a garden hose with a nozzle can be effective in cleaning the condenser coil, but the water should be sprayed from the inside to outside of the coil in the opposite direction from the normal airflow. Disconnect the main power before washing the coil.
3. If you know or suspect that the compressor is not working, you should place the thermostat system switch on the thermostat subbase to the "Off" position. This will stop the operation of the compressor/condenser unit.
4. If you suspect that a cooling problem has developed with your system and before you advise your servicing contractor, we suggest you check the following service hints.

TROUBLESHOOTING - COOLING

PROBLEM

No cooling —

REMEDY

- a. Set thermostat correctly.
- b. Reset high pressure switch on unit.
- c. Check fusing or circuit breakers serving unit.
- d. Call servicing contractor.

PROBLEM

Insufficient cooling —

Unit operates continuously

REMEDY

- a. Check air filters.
- b. Check for blocked return air system.
- c. Check to see if supply registers have been closed.
- d. Check for open doors and windows.
- e. Call your servicing contractor.

Please do not attempt any servicing operation with which you are not familiar or experienced unless you are advised by your servicing contractor of the proper procedures.

ROUTINE MAINTENANCE

▲ WARNING

DISCONNECT MAIN ELECTRICAL POWER TO THE UNIT BEFORE ATTEMPTING ANY MAINTENANCE. FAILURE TO DO SO CAN RESULT IN SEVERE ELECTRICAL SHOCK OR DEATH.

Routine maintenance to be provided by a qualified installer, service agency or the gas supplier ONLY.

COMBUSTION AREA AND EXHAUST SYSTEM

1. It is recommended that an annual inspection of your furnace be done by a qualified installer, service agency or the gas supplier.
2. Turn OFF the electrical supply to the furnace and remove the access doors.
3. Inspect the gas burners and burner compartment for dirt, rust, or scale.

▲ WARNING

IF DIRT, RUST, SOOT OR SCALE ACCUMULATIONS ARE PRESENT, DO NOT OPERATE THIS FURNACE. INSPECT THE HEAT EXCHANGERS FOR LEAKS. LEAKS CAN CAUSE TOXIC FUMES TO ENTER THE HOME AND CAUSE INJURY OR DEATH.

4. Inspect the exhaust area inside and outside the appliance including the exhaust transition piece and the exhaust hood. Be sure that the exhaust transition piece (inside the appliance) and the hood are in place and are physically sound, without holes or excessive corrosion. If these components have deteriorated, have a qualified service professional replace them using factory specified or approved replacement parts only.
5. Be sure that the return air duct connections are physically sound and are sealed to the unit.
6. Look for obvious signs of deterioration of the unit.

7. If the unit is free of the above conditions, replace all access doors, except furnace access panel, and restore electrical power to the unit.
8. Make sure control box cover is in place. Start the furnace and observe its operation. Watch the burner flames to see if they are bright blue. If a suspected malfunction is observed, or the burner flames are not bright blue, apply appropriate service.

EXAMINATION OF INSTALLATION

1. The combustion air inlets and combustion air outlets must be clear and free of obstructions.
2. The return and supply duct connections should be physically sound and sealed where they connect to the unit.
3. Check for obvious signs of deterioration of the unit.
4. **CONDENSATE DRAIN** — Check annually and, if necessary, clean drain pan and drain line. See Figure 1 for location of drain lines. In winter, keep drain and trap dry or protect against freeze-up.
5. The blower compartment and motor should be inspected and cleaned periodically by your qualified installer, service agency or the gas supplier to prevent the possibility of overheating due to an accumulation of dust and dirt on the windings or on the motor exterior. And, as suggested elsewhere in these instructions, the air filters should be kept clean because dirty filters can restrict airflow and the motor depends upon sufficient air flowing across and through it to keep from overheating.
6. Perform the examination annually to insure proper operation.

FILTER MAINTENANCE

Have your qualified installer, service agency or the gas supplier instruct you on how to access your filters for regular maintenance.

▲ WARNING

DISCONNECT THE MAIN POWER TO THE OUTDOOR UNIT BEFORE ATTEMPTING ANY MAINTENANCE OPERATION. FAILURE TO DO SO CAN RESULT IN SEVERE ELECTRICAL SHOCK OR DEATH.

1. Keep air filters clean. There are several types of material used in air filters and there are many possible locations for air filters. Consult with your contractor as to the locations of the filters and type of material in use.
2. How To Clean:

Glass Fiber (Throwaway) —

This is a disposable type of filter. Inspect monthly and replace when necessary. A new home or building will normally require more frequent attention to the filters.

Aluminum Mesh — Wash with detergent and water. Air dry thoroughly and renew the coating in compliance with the manufacturer's instructions.

Plastic Impregnated Fiber — Wash with detergent and water or vacuum clean, then reinstall.

IMPORTANT: Do not operate your system for extended periods without filters, as the dust entrained in the air may pack into the fin area of the evaporator coil creating a condition which could require extensive repairs.

▲ WARNING

A PORTION OF THE DUST ENTRAINED IN THE AIR MAY TEMPORARILY LODGE IN THE AIR DUCT RUNS AND AT THE SUPPLY REGISTERS. ANY RECIRCULATED DUST PARTICLES WILL BE HEATED AND CHARRED BY CONTACT WITH THE FURNACE HEAT EXCHANGER. THIS RESIDUE WILL SOIL CEILINGS, WALLS, DRAPES, CARPETS, AND OTHER HOUSEHOLD ARTICLES.

LUBRICATION

IMPORTANT: DO NOT attempt to lubricate the bearings on the blower motor or the induced draft blower motor. Addition of lubricants can reduce the motor life and void the warranty.

The blower motor and induced draft blower motor are prelubricated by the manufacturer and do not require further attention.

The blower motor and induced draft blower motor must be cleaned periodically by a qualified installer, service agency, or the gas supplier to prevent the possibility of overheating due to an accumulation of dust and dirt on the windings or on the motor exterior. And, as suggested elsewhere in these instructions, the air filters can restrict airflow. The motor depends upon sufficient air flowing across and through it to keep from overheating.

PROTECTING EQUIPMENT FROM THE ENVIRONMENT

The metal parts of this unit may be subject to rust or deterioration in adverse environmental conditions. This oxidation could shorten the equipment's useful life. Salt spray, fog or mist in seacoast areas, sulphur or chlorine from lawn watering systems, and various chemical contaminants from industries such as paper mills and petroleum refineries are especially corrosive.

▲ WARNING

DISCONNECT ALL POWER TO UNIT BEFORE STARTING MAINTENANCE. FAILURE TO DO SO CAN RESULT IN SEVERE ELECTRICAL SHOCK OR DEATH.

1. Avoid having lawn sprinkler heads spray directly on the unit cabinet.
2. Frequent washing of the cabinet, fan blade and coil with fresh water will remove most of the salt or other contaminants that build up on the unit.
3. Regular cleaning and waxing of the cabinet with a good automobile polish will provide some protection.

4. A good liquid cleaner may be used several times a year to remove matter that will not wash off with water.

Several different types of protective coatings are offered in some areas. These coatings may provide some benefit, but the effectiveness of such coating materials cannot be verified by the equipment manufacturer.

The best protection is frequent cleaning, maintenance and minimal exposure to contaminants.