



RKNL-A

Parts List
08-April-2014



*This parts list is current as of the above revision date.
See <http://www.rheempartslists.net/92-42800-RKNL-A.pdf> for the current revision.*

Package Gas-Electric - Commercial

Table of Contents

Model Explanation	Page 3
Parts Numbers	
Panels - Miscellaneous (Granite-Steel Gray)	Page 4
Panels - Miscellaneous (Neutra Green)	Page 5
Electrical Group	Page 6
Fan Group	Page 7
Blower Group - Direct Drive	Page 8
Blower Group - Belt Drive	Page 9
Coil Parts	Page 10
Compressor Group	Page 11
Heat Exchanger-Burner Group	Page 12
Gas Controls	Page 13
Accessories	Page 14
Orifice Selection Chart	Page 15
Drawings/Photographs	
Exploded View	Page 16
Control Box	Page 17
Blower Assembly - Direct Drive	Page 17
Blower Assembly - Belt Drive	Page 18
Blower Motor Mount Assembly - Belt Drive	Page 19
Coil Group Cut-away View	Page 20
Evaporator Coil - Filter Parts	Page 20
Freeze Stat Control	Page 21
Compressor - Refrigeration Group	Page 21
Heat Exchanger Assembly	Page 22
In-Shot Burner Assembly - Before F4708	Page 22
One Piece Burner Assembly - After F4708	Page 23
TXV Identification Guide	Page 24
Notes/Disclaimer	Page 25

No.	Notes	MODEL TECHNICAL VARIATION COOLING CAPACITY	RKNL- A 036-060
PANELS, MISCELLANEOUS PARTS (Granite Steel Gray - After F4411)			
1		Base Rail - Side (2)	AE-58900-01
2		Base Rail - Condenser End	AE-58901-01
3		Base Rail - Evaporator End	AE-58902-01
4		Outdoor Coil Base Pan	AS-59051-01H
5		Indoor Coil Base Pan	AS-58910-05
7		Condenser Bulkhead (Does not include Limit Baffle or Tube Support Angles)	AS-59126-01
		Limit Baffle - Attached To Condenser Bulkhead (08E, 08X, 10E, 10x, 12E, 12X, 13X Heat Capacity)	AE-58913-02
		Limit Baffle - Attached To Condenser Bulkhead (13E Heat Capacity)	AE-58913-01
		Tube Support Angle - Attached To The Condenser. Bulkhead	AE-59139-01
8		Blower Bulkhead (Does not include Tube Support Angle, Blower Extension, or Insulation Retainer)	AS-59130-01
		Tube Support Angle (Small piece attached to the Blower Bulkhead)	AE-59139-02
9		Blower Extension - Front	AE-58928-01
10		Blower Extension - Back	AE-58928-02
		Insulation Retainer	AE-59059-01
11		Wire Chase Insulation Assembly	AS-58927-01
12		Corner Post (2)	AS-58965-01H
14		Louvered Panel	See Accessories
15		Louvered Panel	See Accessories
16		Louvered Panel	See Accessories
17		Supply/Return Panels (2)	AS-58992-01H
18		Rear Panel (Includes Insulation, Filler Panel, and Stripping)	AS-58976-01H
19		Filler Panel - Return Air	AS-58974-01H
		Filler Panel Stripping	AE-58897-10
20		Blower/Filter Access Panels (2)	AS-58990-01H
21		Post - Left End	AS-58973-01H
22		Front Panel	AS-59132-01H
23		Grommet	56-22114-06
24		Heating Compartment Access Panel	AS-58988-02H
25		Flue Hood	AS-58882-01
		Flue Hood Gasket	68-23680-03
		Mounting Panel - External Disconnect	AS-59133-01H
26		Compressor Access Panel	AS-58983-02H
27		Power Entry Panel	AS-58968-03H
28		Front Post	AS-58967-01H
29		Indoor Coil Top Panel Assembly	AS-58979-01H
30		Condenser Top Panel Assembly	AS-58982-01H
32		Wire Grille	95-101660-01
34		Control Box (w/o components)	AS-59039-01

No.	Notes	MODEL TECHNICAL VARIATION COOLING CAPACITY	RKNL- A 036-060
PANELS, MISCELLANEOUS PARTS (Neutra Green - Before F4411)			
1		Base Rail - Side (2)	AE-58900-01
2		Base Rail - Condenser End	AE-58901-01
3		Base Rail - Evaporator End	AE-58902-01
4		Outdoor Coil Base Pan	AS-59051-01
5		Indoor Coil Base Pan	AS-58910-05
7		Condenser Bulkhead (Does not include Limit Baffle or Tube Support Angles)	AS-59126-01
		Limit Baffle - Attached To Condenser Bulkhead (08E, 08X, 10E, 10x, 12E, 12X, 13X Heat Capacity)	AE-58913-02
		Limit Baffle - Attached To Condenser Bulkhead (13E Heat Capacity)	AE-58913-01
		Tube Support Angle - Attached To The Condenser. Bulkhead	AE-59139-01
8		Blower Bulkhead (Does not include Tube Support Angle, Blower Extension, or Insulation Retainer)	AS-59130-01
		Tube Support Angle (Small piece attached to the Blower Bulkhead)	AE-59139-02
9		Blower Extension - Front	AE-58928-01
10		Blower Extension - Back	AE-58928-02
		Insulation Retainer	AE-59059-01
11		Wire Chase Insulation Assembly	AS-58927-01
12		Corner Post (2)	AE-58965-01
14		Louvered Panel	See Accessories
15		Louvered Panel	See Accessories
16		Louvered Panel	See Accessories
17		Supply/Return Panels (2)	AS-58992-01
18		Rear Panel (Includes Insulation, Filler Panel, and Stripping)	AS-58976-01
19		Filler Panel - Return Air	AE-58974-01
		Filler Panel Stripping	AE-58897-10
20		Blower/Filter Access Panels (2)	AS-58990-01
21		Post - Left End	AS-58973-01
22		Front Panel	AS-59132-01
23		Grommet	56-22114-06
24		Heating Compartment Access Panel	AS-58988-02
25		Flue Hood	AS-58882-01
		Flue Hood Gasket	68-23680-03
		Mounting Panel - External Disconnect	AE-59133-01
26		Compressor Access Panel	AE-58983-02
27		Power Entry Panel	AE-58968-03
28		Front Post	AE-58967-01
29		Indoor Coil Top Panel Assembly	AS-58979-01
30		Condenser Top Panel Assembly	AS-58982-01
32		Wire Grille	95-101660-01
34		Control Box (w/o components)	AS-59039-01

No.	Notes	MODEL TECHNICAL VARIATION COOLING CAPACITY ELECTRICAL DESIGNATION	RKNL- A 036-060 C	RKNL- A 036-060 D	RKNL- A 036-060 J	RKNL- A 036-060 Y
ELECTRIC GROUP						
CONTROL BOX COMPONENTS:						
37	Stk	Integrated Furnace Control (IFC)	62-23599-03	62-23599-03	62-23599-03	62-23599-03
		Wiring Harness - 9 pin from IFC to 9 terminals	AS-102393-01	AS-102393-01	AS-102393-01	AS-102393-01
38	Stk	Belt Drive Blower Contactor	42-40594-01	42-22464-01	N/A	42-40594-01
39		Compressor Time Delay Relay	See Accessories			
40		Compressor Contactor	See Compressor Group			
		Blower Relay (-060)	42-101208-02	N/A	42-101208-02	N/A
42		Stepdown Transformer	N/A	N/A	N/A	46-23585-01
43	Stk	Transformer	46-18788-07	46-23600-02	46-18788-07	46-18788-07
MISCELLANEOUS:						
44		Auxiliary Limit - Blower Extension	47-17359-30	47-17359-30	47-17359-30	47-17359-30
	Stk	Pressure Switch	42-24335-20	42-24335-20	42-24335-20	42-24335-20
48	Stk	Inducer Blower Motor - Including Gasket	70-23641-01	70-23641-02	70-23641-01	70-23641-01
49	Stk	Inducer Blower Motor Gasket	68-23643-01	68-23643-01	68-23643-01	68-23643-01
50		Low Pressure Control	See Accessories			
51		High Pressure Control	See Accessories			
52		Freeze Stat	47-23683-04	47-23683-04	47-23683-04	47-23683-04

No.	Notes	MODEL TECHNICAL VARIATION COOLING CAPACITY ELECTRICAL DESIGNATION	RKNL- A 036 C	RKNL- A 036 D	RKNL- A 036 J	RKNL- A 036 Y
FAN GROUP						
35	Stk	Fan Motor	51-100998-05	51-100998-07	51-100998-05	51-100998-14
36	Stk	Fan Blade	70-23594-01	70-23594-01	70-23594-01	70-23594-01
41	Stk	Capacitor - Fan Motor	43-100496-04	43-100496-04	See Compressor Group	43-100496-11
		Capacitor Adapter Plate	AE-54609-02	AE-54609-02	AE-54609-01	AE-54609-01

No.	Notes	MODEL TECHNICAL VARIATION COOLING CAPACITY ELECTRICAL DESIGNATION	RKNL- A 042 C	RKNL- A 042 D	RKNL- A 042 J	RKNL- A 048 C
FAN GROUP						
35	Stk	Fan Motor	51-100998-05	51-100998-07	51-100998-05	51-100998-05
36	Stk	Fan Blade	70-23594-01	70-23594-01	70-23594-01	70-23594-01
41	Stk	Capacitor - Fan Motor	43-100496-04	43-100496-04	See Compressor Group	43-100496-04
		Capacitor Adapter Plate	AE-54609-02	AE-54609-02	AE-54609-01	AE-54609-02

No.	Notes	MODEL TECHNICAL VARIATION COOLING CAPACITY ELECTRICAL DESIGNATION	RKNL- A 048 D	RKNL- A 048 J	RKNL- A 048 Y	RKNL- A 060 C
FAN GROUP						
35	Stk	Fan Motor	51-100998-07	51-100998-05	51-100998-14	51-100998-13
36	Stk	Fan Blade	70-23594-01	70-23594-01	70-23594-01	70-42484-01
41	Stk	Capacitor - Fan Motor	43-100496-04	See Compressor Group	43-100496-11	43-100496-12
		Capacitor Adapter Plate	AE-54609-02	N/A	AE-54609-02	AE-54609-02

No.	Notes	MODEL TECHNICAL VARIATION COOLING CAPACITY ELECTRICAL DESIGNATION	RKNL- A 060 D	RKNL- A 060 J	RKNL- A 060 Y	
FAN GROUP						
35	Stk	Fan Motor	51-100998-12	51-100998-13	51-100998-14	
36	Stk	Fan Blade	70-42484-01	70-42484-01	70-42484-01	
41	Stk	Capacitor - Fan Motor	43-100496-12	See Compressor Group	43-100496-11	
		Capacitor Adapter Plate	AE-54609-02	N/A	AE-54609-02	

No.	Notes	MODEL TECHNICAL VARIATION COOLING CAPACITY ELECTRIC DESIGNATION DRIVE PACKAGE	RKNL-	RKNL-	RKNL-
			A 036-060 C K	A 036-060 D K	A 036-060 J K
BLOWER GROUP - DIRECT DRIVE					
53	Stk	Blower Assembly - Sizes 036-048	AS-59050-03	AS-59050-09	AS-59050-03
53	Stk	Blower Assembly - Size 060	AS-59050-13	AS-59050-32	AS-59050-13
54		Housing	AS-58944-01	AS-58944-01	AS-58944-01
55	Stk	Blower Wheel	70-23110-30	70-23110-30	70-23110-30
56		Cut-Off Tabulation	AE-64401-05	AE-64401-05	AE-64401-05
57	Stk	Blower Motor - Sizes 036-048	51-23679-01	51-23679-02	51-23679-01
57	Stk	Blower Motor - Size 060	51-101984-01	51-103624-04	51-101984-01
58	Stk	Capacitor - Blower Motor - Sizes 036-048	43-100496-12	43-100496-12	43-100496-12
58	Stk	Capacitor - Blower Motor - Size 060	N/A	N/A	N/A
		Capacitor Strap	AE-50892-01	AE-50892-01	AE-50892-01
59		Motor Band - Sizes 036-048	70-19927-01	70-19927-01	70-19927-01
59		Motor Band - Size 060	70-19927-03	70-19927-03	70-19927-03
60		Motor Mounting Arm - Sizes 036-048 (3)	70-19929-02	70-19929-02	70-19929-02
60		Motor Mounting Arm - Size 060 (3)	70-19929-09	70-19929-09	70-19929-09
61		Blower Support	AE-58950-02	AE-58950-02	AE-58950-02

No.	Notes	MODEL TECHNICAL VARIATION COOLING CAPACITY ELECTRICAL DESIGNATION DRIVE PACKAGE	RKLN- A 036-060 C L	RKLN- A 036-060 D L	RKLN- A 036-060 Y L	RKLN- A 036-060 C M	RKLN- A 036-060 D M	RKLN- A 036-060 Y M
BLOWER GROUP - BELT DRIVE								
62	Stk	Blower Assembly - Size 036 (Includes items 63-66 & 68-73, Excluding items 67 & 72b)	AS-101336-01	AS-101336-01	AS-101336-01	AS-101336-05	AS-101336-05	AS-101336-05
62	Stk	Blower Assembly - Size 042 (Includes items 63-66 & 68-73, Excluding items 67 & 72b)	AS-101336-01	AS-101336-01	N/A	AS-101336-01	AS-101336-01	N/A
62	Stk	Blower Assembly - Size 048 (Includes items 63-66 & 68-73, Excluding items 67 & 72b)	AS-101336-05	AS-101336-05	AS-101336-05	AS-101336-04	AS-101336-04	AS-101336-04
62	Stk	Blower Assembly - Size 060 (Includes items 63-66 & 68-73, Excluding items 67 & 72b)	AS-101336-05	AS-101336-05	AS-101336-05	AS-101336-05	AS-101336-05	AS-101336-05
63		Housing	AS-101341-01	AS-101341-01	AS-101341-01	AS-101341-01	AS-101341-01	AS-101341-01
64		Bearing Frame Tri-Arm (2)	70-41723-03	70-41723-03	70-41723-03	70-41723-03	70-41723-03	70-41723-03
65	Stk	Ball Bearing And Cushion (2)	70-41911-01	70-41911-01	70-41911-01	70-41911-01	70-41911-01	70-41911-01
66	Stk	Blower Shaft	70-21933-02	70-21933-02	70-21933-02	70-21933-02	70-21933-02	70-21933-02
67	Stk	Fixed Pitch Sheave - Size 036	71-21932-04	71-21932-04	71-21932-04	71-21932-03	71-21932-03	71-21932-03
67	Stk	Fixed Pitch Sheave - Size 042	71-21932-04	71-21932-04	N/A	71-21932-04	71-21932-04	N/A
67	Stk	Fixed Pitch Sheave - Size 048	71-21932-03	71-21932-03	71-21932-03	71-21932-02	71-21932-02	71-21932-02
67	Stk	Fixed Pitch Sheave - Size 060	71-21932-03	71-21932-03	71-21932-03	71-21932-03	71-21932-03	71-21932-03
68		Blower Support - Left	AE-58950-02	AE-58950-02	AE-58950-02	AE-58950-02	AE-58950-02	AE-58950-02
69	Stk	Blower Wheel	70-23589-01	70-23589-01	70-23589-01	70-23589-01	70-23589-01	70-23589-01
70		Cut-Off Tabulation	AE-64401-05	AE-64401-05	AE-64401-05	AE-64401-05	AE-64401-05	AE-64401-05

No.	Notes	MODEL TECHNICAL VARIATION COOLING CAPACITY ELECTRICAL DESIGNATION DRIVE PACKAGE	RKLN- A 036-060 C L	RKLN- A 036-060 D L	RKLN- A 036-060 Y L	RKLN- A 036-060 C M	RKLN- A 036-060 D M	RKLN- A 036-060 Y M
BLOWER MOTOR MOUNTING - BELT DRIVE								
MOTOR MOUNTING:								
71		Blower Bracket - Sizes 036-060	AE-101124-01	AE-101124-01	AE-101124-01	AE-101124-01	AE-101124-01	AE-101124-01
72		Blower Bracket - Drive Side - Sizes 036-060	AE-101124-04	AE-101124-04	AE-101124-04	AE-101124-04	AE-101124-04	AE-101124-04
72a		Grommet	56-18518-04	56-18518-04	56-18518-04	56-18518-04	56-18518-04	56-18518-04
72b		Cross Brace	AE-101467-01	AE-101467-01	AE-101467-01	AE-101467-01	AE-101467-01	AE-101467-01
73		Motor Mount Assembly - Sizes 036-060	AS-101340-01	AS-101340-01	AS-101340-01	AS-101340-01	AS-101340-01	AS-101340-01

No.	Notes	MODEL TECHNICAL VARIATION COOLING CAPACITY ELECTRICAL DESIGNATION DRIVE PACKAGE	RKLN- A 036-060 C L	RKLN- A 036-060 D L	RKLN- A 036-060 Y L	RKLN- A 036-060 C M	RKLN- A 036-060 D M	RKLN- A 036-060 Y M
BLOWER MOTOR GROUP - BELT DRIVE								
74		Blower Motor - Size 036	51-42579-01	51-42579-01	51-22241-02	51-42579-01	51-42579-01	51-22241-02
74		Blower Motor - Size 042	51-42579-01	51-42579-01	N/A	51-42579-01	51-42579-01	N/A
74		Blower Motor - Size 048	51-42579-01	51-42579-01	51-22241-02	51-21909-01	51-21909-01	51-22241-02
74		Blower Motor - Size 060	51-21909-01	51-21909-01	51-22241-02	51-41936-01	51-41936-01	51-22241-02
75		Variable Pitch Sheave - Size 036	71-40427-30	71-40427-30	71-40427-30	71-40427-25	71-40427-25	71-40427-25
75		Variable Pitch Sheave - Size 042	71-40427-29	71-40427-29	N/A	71-40427-43	71-40427-43	N/A
75		Variable Pitch Sheave - Size 048	71-40427-29	71-40427-29	71-40427-29	71-40427-25	71-40427-25	71-40427-25
75		Variable Pitch Sheave - Size 060	71-40427-29	71-40427-29	71-40427-29	71-40427-43	71-40427-43	71-40427-43
76		Belt - Size 036	71-40235-43	71-40235-43	71-40235-43	71-40235-43	71-40235-43	71-40235-43
76		Belt - Size 042	71-40235-43	71-40235-43	N/A	71-40235-44	71-40235-44	N/A
76		Belt - Size 048	71-40235-42	71-40235-42	71-40235-42	71-40235-42	71-40235-42	71-40235-42
76		Belt - Size 060	71-40235-42	71-40235-42	71-40235-42	71-40235-44	71-40235-44	71-40235-44

No.	Notes	MODEL TECHNICAL VARIATION COOLING CAPACITY	RKNL- A 036	RKNL- A 042	RKNL- A 048	RKNL- A 060
COIL GROUP						
6		Filter Keeper	AE-59168-01	AE-59168-01	AE-59168-01	AE-59168-01
EVAPORATOR COIL:						
77	Stk	Evaporator Coil (Before F4613)	AS-102260-03	AS-102351-03	AS-102352-03	AS-102353-03
77	Stk	Evaporator Coil (On or After F4613)	AS-102260-13	AS-102351-13	AS-102352-13	AS-102353-13
Important Note: Different manufacturers of TXV were used on this unit, and the exact part number must be used when making repair. To obtain the correct part number of the TXV either: (1) Provide the part number of TXV assembly by examining unit, or (2) Provide unit model number and TXV manufacturer. (See attached TXV identification guide for assistance.)						
78	Stk	TXV - Sporlan	61-102257-01	61-102257-02	61-102257-03	61-102257-04
78	Stk	TXV - Emerson	61-102258-01	61-102258-02	61-102258-03	61-102258-04
80		Top Air Stop	AE-58933-01	AE-58933-01	AE-58933-01	AE-58933-01
81		Top Coil Support	AE-58941-01	AE-58941-01	AE-58941-01	AE-58941-01
82		Filter Channels (3) Center Is Two Channels Back To Back	AE-58934-01	AE-58934-01	AE-58934-01	AE-58934-01
83		Indoor Coil Drain Pan	68-23559-01	68-23559-01	68-23559-01	68-23559-01
CONDENSER COIL:						
84	Stk	Condenser Coil	AS-101714-03	AS-101715-01	AS-101716-01	AS-101717-01
	Stk	Filter Drier	83-22755-03	83-22755-03	83-22755-03	83-22755-03
85		Filter - Disposable (2)	54-17531-10	54-17531-10	54-17531-10	54-17531-10

No.	Notes	MODEL TECHNICAL VARIATION COOLING CAPACITY ELECTRICAL DESIGNATION	RKNL- A 036 J	RKNL- A 042 J	RKNL- A 048 J	RKNL- A 060 J
COMPRESSOR GROUP						
		Compressor ID:	7496	7497	7498	7499
86	Stk	Compressor	55-102045-03S	55-102045-12S	55-102045-09S	55-102045-13S
40	Stk	Contactora	42-42728-03	42-42728-03	42-42478-02	42-42478-02
41	Stk	Capacitor - Fan/Compressor	43-26271-41	43-26271-41	43-26261-43	43-26261-30
	Stk	Compressor Wiring Harness - Molded Plug	45-100834-80	45-100834-80	45-100834-80	45-100834-80

No.	Notes	MODEL TECHNICAL VARIATION COOLING CAPACITY ELECTRICAL DESIGNATION	RKNL- A 036 C	RKNL- A 042 C	RKNL- A 048 C	RKNL- A 060 C
COMPRESSOR GROUP						
		Compressor ID:	7500	7501	7502	7503
86	Stk	Compressor	55-102045-05S	55-102045-16S	55-102045-11S	55-102045-22S
40	Stk	Contactora	42-22464-01	42-22464-01	42-22464-01	42-22464-01
	Stk	Compressor Wiring Harness - Molded Plug	45-100834-80	45-100834-80	45-100834-80	45-100834-80

No.	Notes	MODEL TECHNICAL VARIATION COOLING CAPACITY ELECTRICAL DESIGNATION	RKNL- A 036 D	RKNL- A 042 D	RKNL- A 048 D	RKNL- A 060 D
COMPRESSOR GROUP						
		Compressor ID:	7504	7505	7506	7507
86	Stk	Compressor	55-102045-04S	55-102045-25S	55-102045-10S	55-102045-23S
40	Stk	Contactora	42-22464-01	42-22464-01	42-22464-01	42-22464-01
	Stk	Compressor Wiring Harness - Molded Plug	45-100834-80	45-100834-80	45-100834-80	45-100834-80

No.	Notes	MODEL TECHNICAL VARIATION COOLING CAPACITY ELECTRICAL DESIGNATION	RKNL- A 036 Y	RKNL- A 048 Y	RKNL- A 060 Y	
COMPRESSOR GROUP						
		Compressor ID:	7722	7723	7724	
86	Stk	Compressor	55-102045-32S	55-102045-29S	55-102045-30S	
40	Stk	Contactora	42-22464-01	42-22464-01	42-22464-01	
	Stk	Compressor Wiring Harness - Molded Plug	45-100834-80	45-100834-80	45-100834-80	

No.	Notes	MODEL TECHNICAL VARIATION HEATING CAPACITY	RKNL- A 08	RKNL- A 10	RKNL- A 12	RKNL- A 13
HEAT EXCHANGER, BURNER/MANIFOLD						
45	Stk	Main Limit - (Condenser Bulkhead) E - Electric	47-23610-19	47-23610-21	47-23610-27	47-23610-19
45	Stk	Main Limit - (Condenser Bulkhead) X - NOX	47-23610-23	47-23610-25	47-23610-29	47-23610-19
46		Main Limit Shield	AS-59152-01	AS-59152-01	AS-59152-01	AS-59152-01
87	Stk	Heat Exchanger - Includes Center Panel	AS-59066-01	AS-59066-05	AS-59066-04	AS-59066-04
88		Turbulators (NOX)	AE-58922-01 (4)	AE-58922-01 (5)	AE-58922-01 (6)	AE-58922-01 (6)
89		NOX Inserts	75-23684-01 (4)	75-23684-01 (5)	75-23684-01 (6)	75-23684-01 (6)
90		Divider Plate Gasket	68-23680-02	68-23680-02	68-23680-02	68-23680-02
91		Divider Plate	AE-59067-01	AE-59067-01	AE-59067-01	AE-59067-01
92		Collector Box Gasket	68-23680-01	68-23680-01	68-23680-01	68-23680-01
93		Collector Box Cover	AE-59068-01	AE-59068-02	AE-59068-06	AE-59068-03
94		Flue Duct	75-23678-01	75-23678-01	75-23678-01	75-23678-01
95		Flue Duct Gasket	68-23680-03	68-23680-03	68-23680-03	68-23680-03
96		Burner Shield	AE-58886-01	AE-58886-01	AE-58886-01	AE-58886-01
97	Stk	Limit (Manual Reset) - Before Approximate Date Code F4708	47-22861-01 (1)	47-22861-01 (2)	47-22861-01 (2)	47-22861-01 (2)
97	Stk	Limit (Manual Reset) - After Approximate Date Code F4708	47-22861-02 (1)	47-22861-02 (2)	47-22861-02 (2)	47-22861-02 (2)
98		Burner Compartment Floor	AE-58932-02	AE-58932-02	AE-58932-02	AE-58932-02

No.	Notes	MODEL TECHNICAL VARIATION HEATING CAPACITY	RKNL- A 08	RKNL- A 10	RKNL- A 12	RKNL- A 13
BURNER / MANIFOLD GROUP						
99	Stk, 1	Burner Tube w/Shield - Before Approximate Date Code F4708	75-22840-02 (4)	75-22840-02 (5)	75-22840-02 (6)	75-22840-02 (6)
99	Stk, 1	Burner Assembly - After Approximate Date Code F4708	AS-60993-04	AS-60993-05	AS-60993-06	AS-60993-06
99a		Bushing - After Approximate Date Code F4708	45-42519-01	45-42519-01	45-42519-01	45-42519-01
100		Burner Support - (Holds the Burners between the Burner Support Brackets) - Before Approximate Date Code F4708	AE-58887-02	AE-58887-02	AE-58887-02	AE-58887-02
100		Burner Support - (Holds the Burners between the Burner Support Brackets) - After Approximate Date Code F4708	AE-102650-01	AE-102650-01	AE-102650-01	AE-102650-01
101		Burner Support Bracket (2) - Before Approximate Date Code F4708	AE-61588-01	AE-61588-01	AE-61588-01	AE-61588-01
101		Burner Support Bracket (2) - After Approximate Date Code F4708	AE-61588-02	AE-61588-02	AE-61588-02	AE-61588-02
102	Stk	Manifold Assembly (w/o Orifices)	81-101153-01	81-101153-01	81-101153-01	81-101153-01
103		Square Head Plug - (Used on Manifold to plug extra holes)	81-23593-01 (3)	81-23593-01 (2)	81-23593-01 (1)	81-23593-01 (1)
104		Burner Orifice - Natural Gas:	See Orifice Selection Chart			
104		Burner Orifice - LP:	See Orifice Selection Chart			
104		Number of Orifices	(4)	(5)	(6)	(6)
105	Stk	Flame Sensor	62-23543-02	62-23543-02	62-23543-02	62-23543-02
106	Stk	Ignition Electrode and Cable	62-23556-01	62-23556-01	62-23556-01	62-23556-01

No.	Notes	MODEL TECHNICAL VARIATION HEATING CAPACITY	RKNL- A 08	RKNL- A 10	RKNL- A 12	RKNL- A 13
DIRECT SPARK IGNITION - HONEYWELL GAS CONTROL						
SERIAL CONTROL CODES - 2G						
107	Stk	Gas Valve - Natural Gas (H/W VR8205S2296)	60-100394-02	60-100394-02	60-100394-02	60-100394-02
108		Street Elbow	81-17487-01	81-17487-01	81-17487-01	81-17487-01
		Nipple	81-40683-02	81-40683-02	81-40683-02	81-40683-02
	Stk	LP Conversion Kit	EP-85H	EP-85H	EP-85H	EP-85H

No.	Notes	MODEL TECHNICAL VARIATION HEATING CAPACITY	RKNL- A 08	RKNL- A 10	RKNL- A 12	RKNL- A 13
DIRECT SPARK IGNITION - HONEYWELL GAS CONTROL						
SERIAL CONTROL CODES - 1R						
107	Stk	Gas Valve - Natural Gas (H/W VR8205M1106)	60-22447-07	60-22447-07	60-22447-07	60-22447-07
108		Street Elbow	81-17487-01	81-17487-01	81-17487-01	81-17487-01
		Nipple	81-40683-02	81-40683-02	81-40683-02	81-40683-02
	Stk	LP Conversion Kit	EP-85H	EP-85H	EP-85H	EP-85H

No.	Notes	MODEL TECHNICAL VARIATION HEATING CAPACITY	RKNL- A 08	RKNL- A 10	RKNL- A 12	RKNL- A 13
DIRECT SPARK IGNITION - WHITE-RODGERS GAS CONTROL						
SERIAL CONTROL CODES - 2A						
107	Stk	Gas Valve - Natural Gas (W/R 36E23-202)	60-24290-01	60-24290-01	60-24290-01	60-24290-01
108		Street Elbow	81-40271-04	81-40271-04	81-40271-04	81-40271-04
	Stk	LP Conversion Kit	EP-84W	EP-84W	EP-84W	EP-84W

No.	Notes	MODEL TECHNICAL VARIATION HEATING CAPACITY	RKNL- A 08	RKNL- A 10	RKNL- A 12	RKNL- A 13
DIRECT SPARK IGNITION - WHITE-RODGERS GAS CONTROL						
SERIAL CONTROL CODES - 1X						
107	Stk	Gas Valve - Natural Gas (W/R 36E37-214)	60-23490-01	60-23490-01	60-23490-01	60-23490-01
108		Street Elbow	81-40271-04	81-40271-04	81-40271-04	81-40271-04
	Stk	LP Conversion Kit	EP-84W	EP-84W	EP-84W	EP-84W

No.	Notes	MODEL TECHNICAL VARIATION COOLING CAPACITY	RKNL- A 036-060
OPTIONS AND ACCESSORIES			
		Louver Panel Kit (Green)	RXXR-AAD01B
		Louver Panel Kit (Gray)	AXRX-AAD01B
		Low Ambient Control Kit	RXRZ-B01
		Time Delay Control Kit	RXMD-B01
		Low Pressure Control Kit	RXAC-C01
		High Pressure Control Kit	RXAB-E01
		Economizer - Single Enthalpy (Green)	RXRD-MECM3
		Economizer - Single Enthalpy (Gray)	AXRD-MECM3
		Dual Enthalpy Upgrade Kit	RXXR-AV02
		Carbon Dioxide Sensor	RXXR-AR02
		Power Exhaust - "C" Voltage	RXXR-BFF04C
		Power Exhaust - "D" Voltage	RXXR-BFF04D
		Fresh Air Damper - Manual (Green)	RXRF-FBA1
		Fresh Air Damper - Manual (Gray)	AXRF-FBA1
		Fresh Air Damper - Motorized (Green)	RXRF-FBB1
		Fresh Air Damper - Motorized (Gray)	AXRF-FBB1
		Disconnect Switch	42-100650-01

PACKAGE EQUIPMENT - ORIFICE SELECTION CHART - NATURAL GAS

CAUTION: Selection of the correct Natural Gas Orifice requires the following information for the specific installation:

- 1) Furnace Input Rating (BTU/HR)
- 2) Number of Burners
- 2) Altitude (ft.)

For detailed information and instructions for Orifice selection, see the Gas Furnace LP Conversion Kit Index 92-21519-47 and the latest edition of the National Fuel Gas Code Handbook, or the National Standard of Canada, Natural Gas and Propane Installation Code, CAN B149.1.

CAUTION: This information is provided for replacement purposes only. Conversion for operation at High Altitude must be done using the kit specified on the product specification sheet for the unit.

NOTE: This Orifice sizing chart is based on a Natural Gas heating value of 1075 BTU/cu. ft and a pressure setting of 3.5 in. water column.

NOTE: Factory installed orifices are calculated and sized based on a Natural Gas heating value of 1075 BTU/cu. ft. and an elevation of 0 - 2000 ft.

Furnace Input Rating (BTU/HR)	Canadian High Altitude Derated Input (BTU/HR)	Number of Burners	Elevation (ft.)					
			Country					
			0 - 2000 U.S.	2001 - 4000 U.S.	4001 - 6000 U.S.	8000+ U.S.	0 - 2000 Canada	2001 - 4500 Canada
40,000	36,000	2	62-22175-45	62-22175-47	62-22175-48	62-22175-49	62-22175-45	62-22175-15
60,000	54,000	3	62-22175-45	62-22175-47	62-22175-48	62-22175-49	62-22175-45	62-22175-15
72,000	N/A	4	62-22175-15	62-22175-49	62-22175-50	62-22175-51	62-22175-15	N/A
80,000	72,000	4	62-22175-45	62-22175-47	62-22175-48	62-22175-49	62-22175-45	62-22175-15
90,000	N/A	5	62-22175-15	62-22175-49	62-22175-50	62-22175-51	62-22175-15	N/A
100,000	90,000	5	62-22175-45	62-22175-47	62-22175-48	62-22175-49	62-22175-45	62-22175-15
120,000	108,000	6	62-22175-45	62-22175-47	62-22175-48	62-22175-49	62-22175-45	62-22175-15
135,000	121,500	6	62-22175-44	62-22175-45	62-22175-47	62-22175-48	62-22175-44	62-22175-45
150,000	135,000	6	62-22175-42	62-22175-43	62-22175-44	62-22175-45	62-22175-42	62-22175-44
180,000	N/A	9	62-22175-45	62-22175-47	62-22175-48	62-22175-49	62-22175-45	N/A
210,000	N/A	9	62-22175-43	62-22175-44	62-22175-45	62-22175-47	62-22175-43	N/A
210,000	N/A	10	62-22175-45	62-22175-47	62-22175-48	62-22175-49	62-22175-45	N/A
225,000	202,500	9	62-22175-42	62-22175-43	62-22175-44	62-22175-45	62-22175-42	62-22175-44
250,000	225,000	10	62-22175-42	62-22175-43	62-22175-44	62-22175-45	62-22175-42	62-22175-44
252,000	225,000	9	62-22175-40	62-22175-42	62-22175-43	62-22175-44	62-22175-40	62-22175-42
252,000	N/A	12	62-22175-45	62-22175-47	62-22175-48	62-22175-49	62-22175-45	N/A
290,000	N/A	14	62-22175-45	62-22175-47	62-22175-48	62-22175-49	62-22175-45	N/A
300,000	270,000	12	62-22175-42	62-22175-43	62-22175-44	62-22175-45	62-22175-42	62-22175-44
330,000	N/A	14	62-22175-43	62-22175-44	62-22175-45	62-22175-47	62-22175-43	N/A
350,000	315,000	14	62-22175-42	62-22175-43	62-22175-44	62-22175-45	62-22175-42	62-22175-44
400,000	360,000	14	62-22175-40	62-22175-42	62-22175-43	62-22175-44	62-22175-40	62-22175-42

PACKAGE EQUIPMENT - ORIFICE SELECTION CHART - LP

CAUTION: Selection of the correct LP Orifice requires the following information for the specific installation:

- 1) Furnace Input Rating (BTU/HR)
- 2) Number of Burners
- 2) Altitude (ft.)

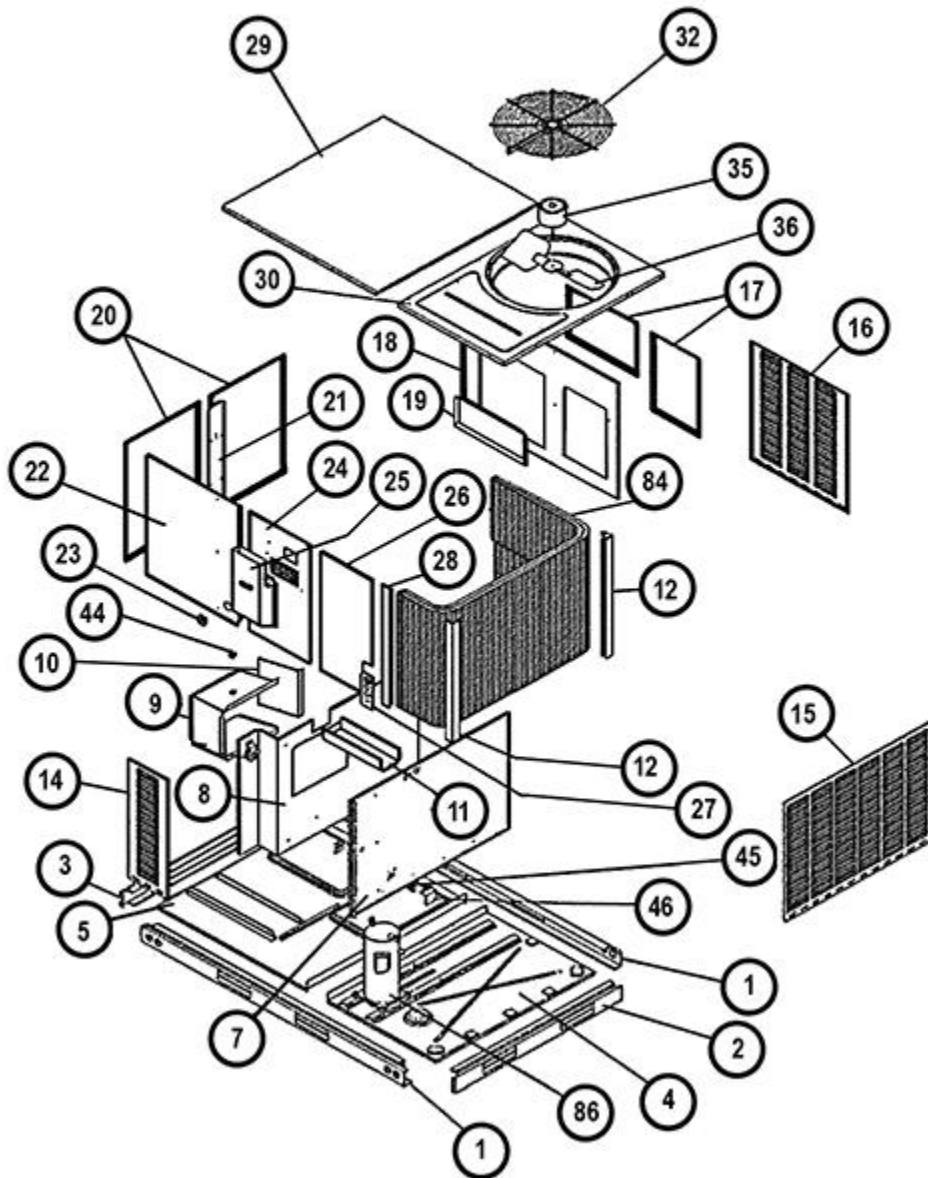
For detailed information and instructions for Orifice selection, see the Gas Furnace LP Conversion Kit Index 92-21519-47 and the latest edition of the National Fuel Gas Code Handbook, or the National Standard of Canada, Natural Gas and Propane Installation Code, CAN B149.1.

CAUTION: This information is provided for replacement purposes only. Conversion to LP or for operation at High Altitude should be done using the kit(s) specified on the product specification sheet for the unit.

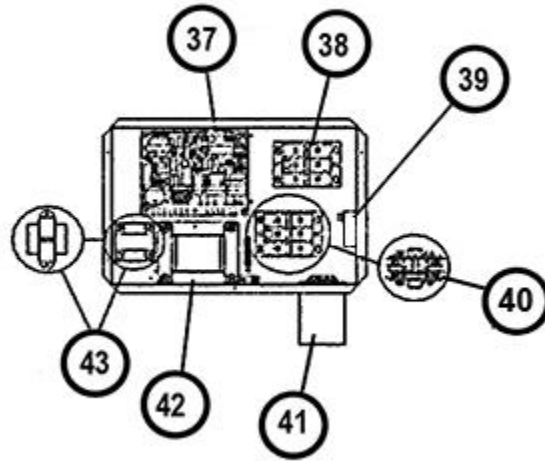
NOTE: This Orifice sizing chart is developed using the specified pressure setting of 10 in. water column instead of the 11.0 in water column used by the NFG and CANB149.1.

NOTE: Orifices supplied in the LP Conversion Kit are calculated and sized based on a heating value of 2500 BTU/cu. ft. and an elevation of 0 - 2000 ft.

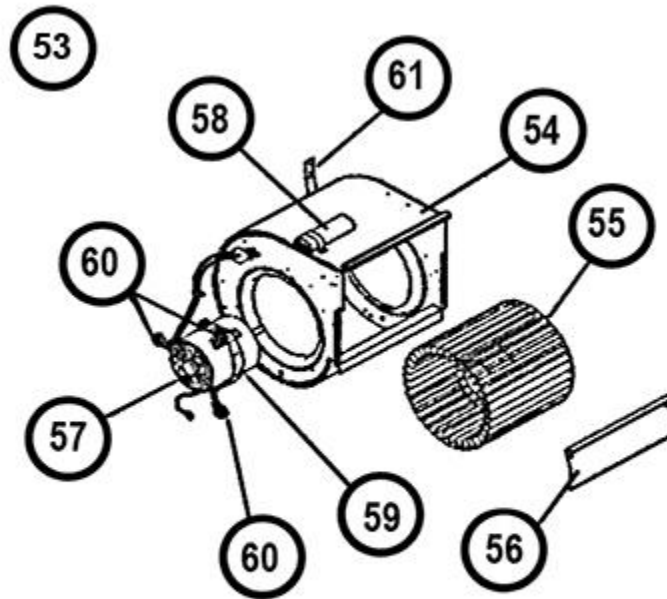
Furnace Input Rating (BTU/HR)	Canadian High Altitude Derated Input (BTU/HR)	Number of Burners	Elevation (ft.)					
			Country					
			0 - 2000 U.S.	2001 - 4000 U.S.	4001 - 6000 U.S.	8000+ U.S.	0 - 2000 Canada	2001 - 4500 Canada
40,000	36,000	2	62-22175-55	62-22175-55	62-22175-56	62-22175-56	62-22175-55	62-22175-13
60,000	54,000	3	62-22175-55	62-22175-55	62-22175-56	62-22175-56	62-22175-55	62-22175-13
72,000	N/A	4	62-22175-13	62-22175-57	62-22175-57	62-22175-59	62-22175-13	N/A
80,000	72,000	4	62-22175-55	62-22175-55	62-22175-56	62-22175-56	62-22175-55	62-22175-13
90,000	N/A	5	62-22175-13	62-22175-57	62-22175-57	62-22175-59	62-22175-13	N/A
100,000	90,000	5	62-22175-55	62-22175-55	62-22175-56	62-22175-56	62-22175-55	62-22175-13
120,000	108,000	6	62-22175-55	62-22175-55	62-22175-56	62-22175-56	62-22175-55	62-22175-13
135,000	121,500	6	62-22175-54	62-22175-55	62-22175-55	62-22175-56	62-22175-54	62-22175-55
150,000	135,000	6	62-22175-54	62-22175-55	62-22175-55	62-22175-56	62-22175-54	62-22175-54
180,000	N/A	9	62-22175-55	62-22175-55	62-22175-56	62-22175-56	62-22175-55	N/A
210,000	N/A	9	62-22175-54	62-22175-55	62-22175-55	62-22175-56	62-22175-54	N/A
210,000	N/A	10	62-22175-55	62-22175-55	62-22175-56	62-22175-56	62-22175-55	N/A
225,000	202,500	9	62-22175-54	62-22175-55	62-22175-55	62-22175-56	62-22175-54	62-22175-54
250,000	225,000	10	62-22175-54	62-22175-55	62-22175-55	62-22175-56	62-22175-54	62-22175-54
252,000	225,000	9	62-22175-53	62-22175-54	62-22175-54	62-22175-55	62-22175-53	62-22175-54
252,000	N/A	12	62-22175-55	62-22175-55	62-22175-56	62-22175-56	62-22175-55	N/A
290,000	N/A	14	62-22175-55	62-22175-55	62-22175-56	62-22175-56	62-22175-55	N/A
300,000	270,000	12	62-22175-54	62-22175-55	62-22175-55	62-22175-56	62-22175-54	62-22175-54
330,000	N/A	14	62-22175-54	62-22175-55	62-22175-55	62-22175-56	62-22175-54	N/A
350,000	315,000	14	62-22175-54	62-22175-55	62-22175-55	62-22175-56	62-22175-54	62-22175-54
400,000	360,000	14	62-22175-53	62-22175-54	62-22175-54	62-22175-55	62-22175-53	62-22175-54



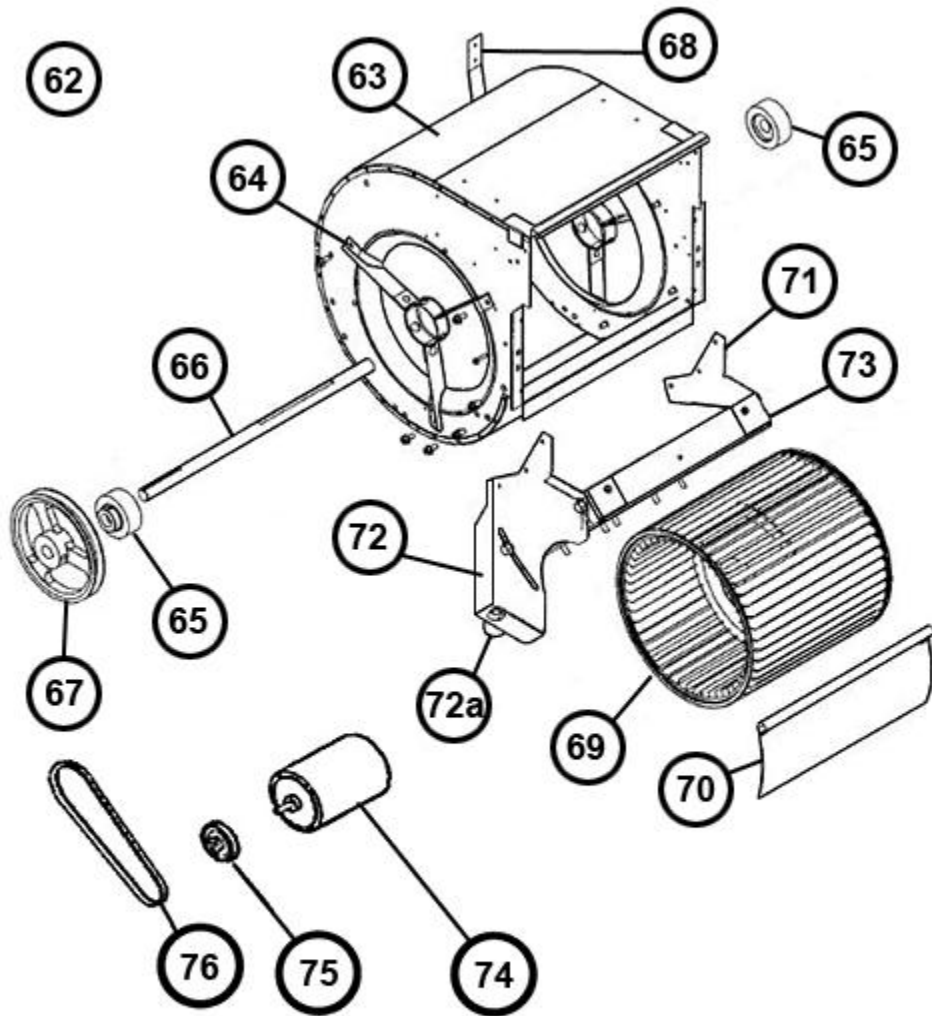
Exploded View



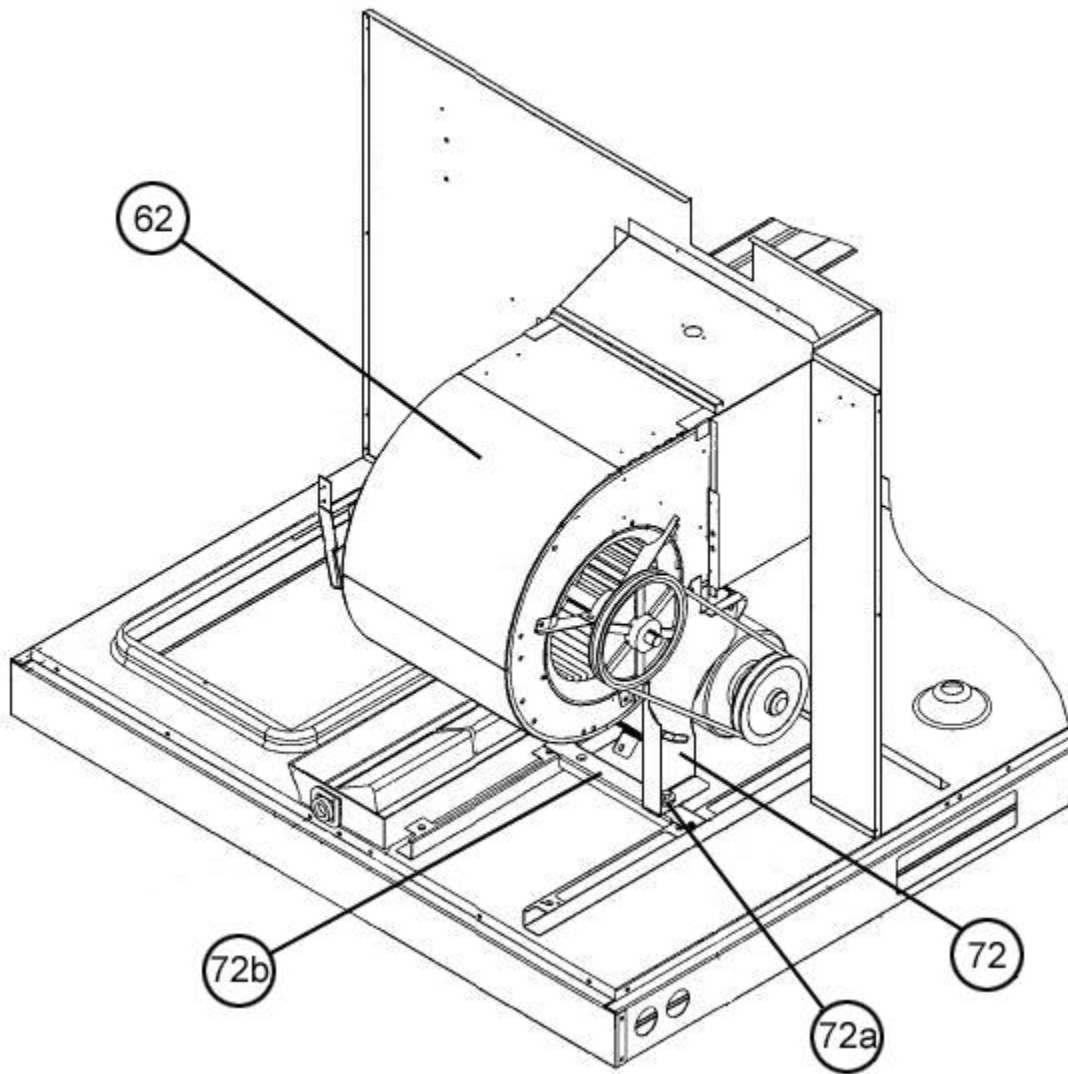
Control Box



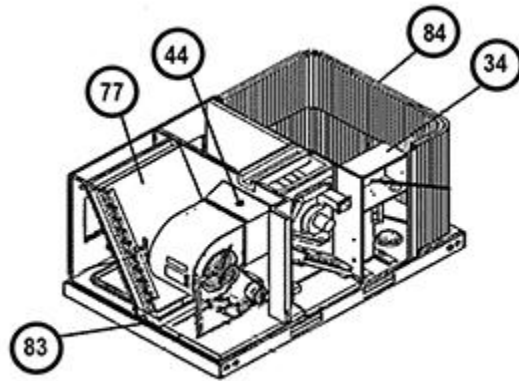
Blower Assembly - Direct Drive



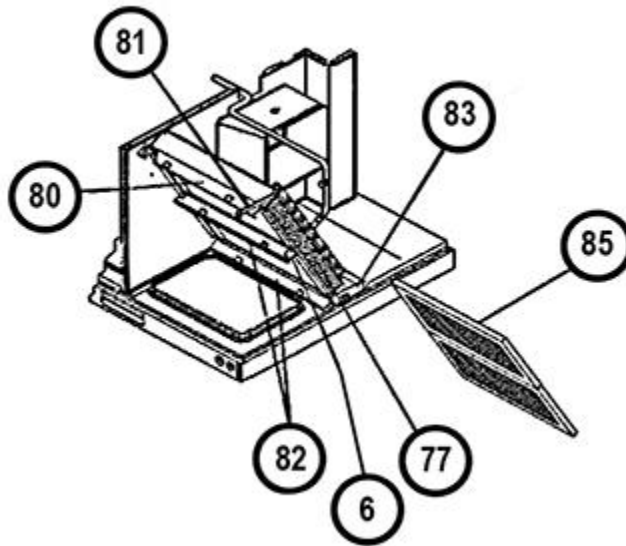
Blower Assembly - Belt Drive



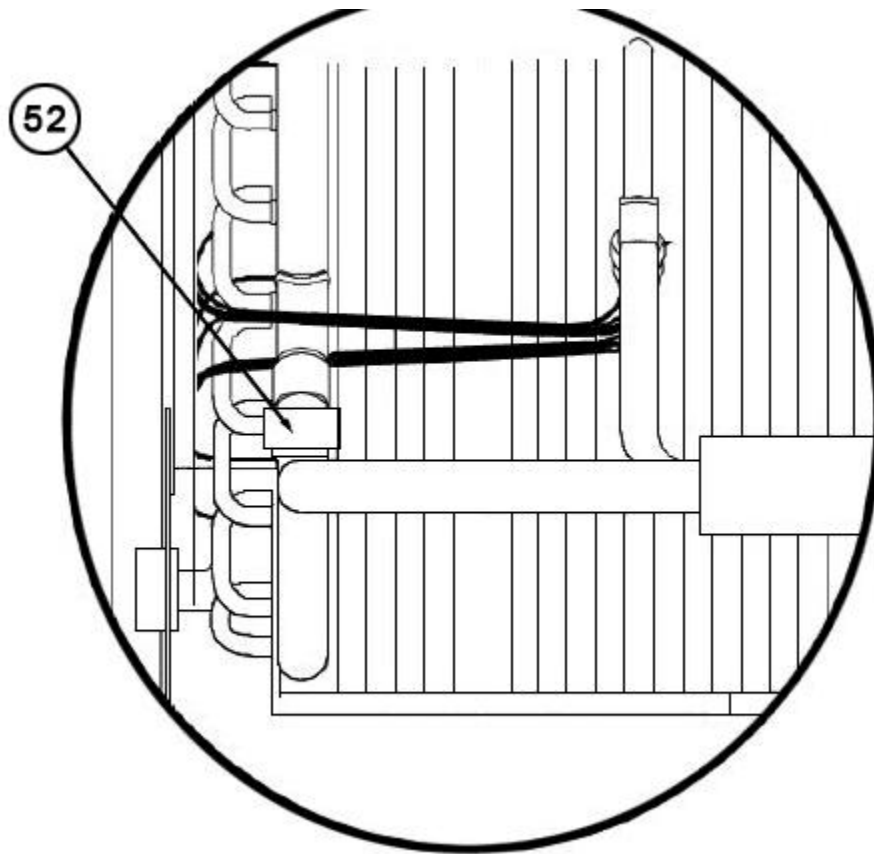
Blower Motor Mount Assembly - Belt Drive



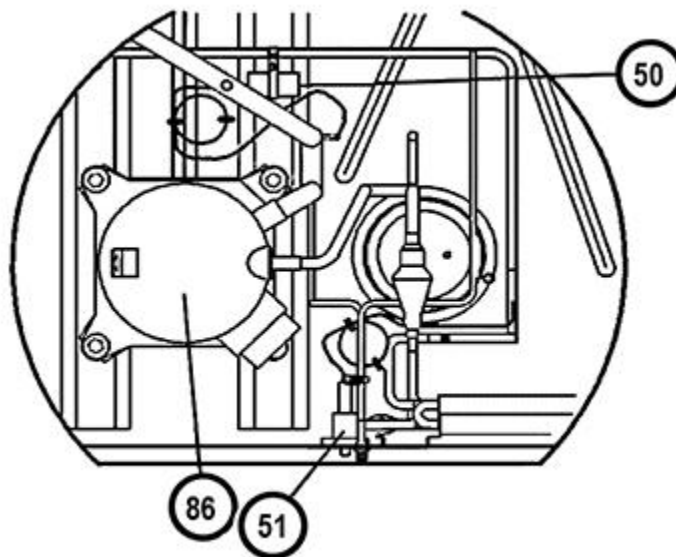
Coil Group Cut-away View



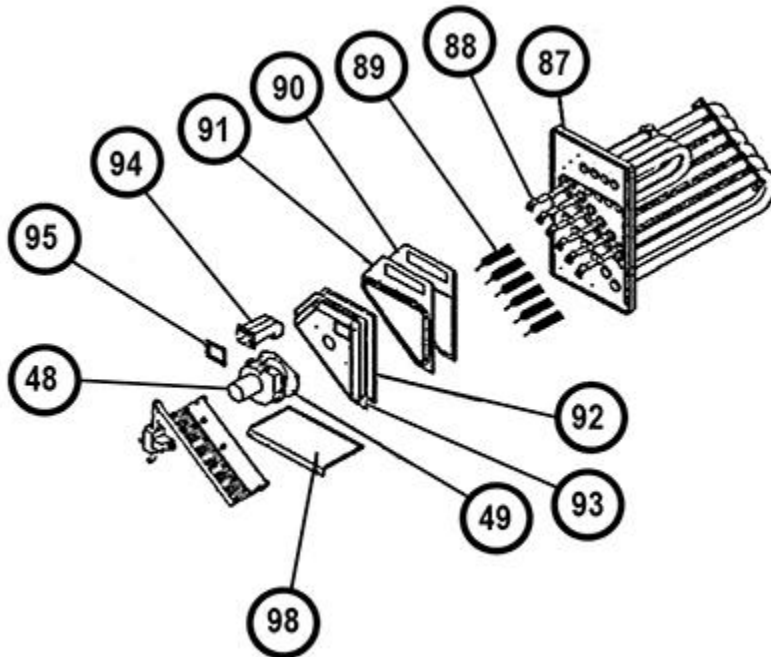
Evaporator Coil - Filter Parts



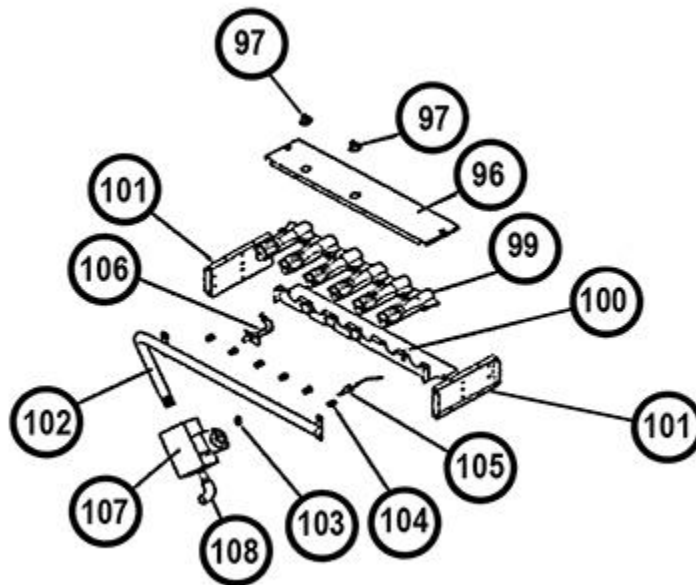
Freeze Stat Control



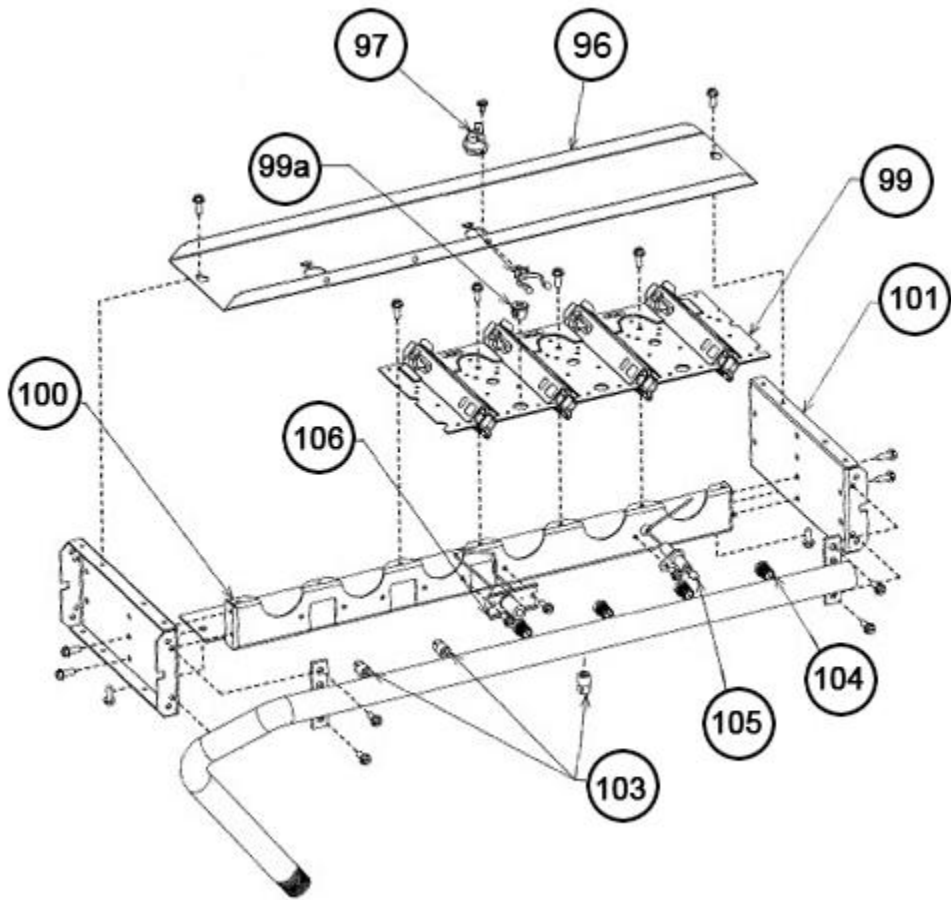
Compressor - Refrigeration Group



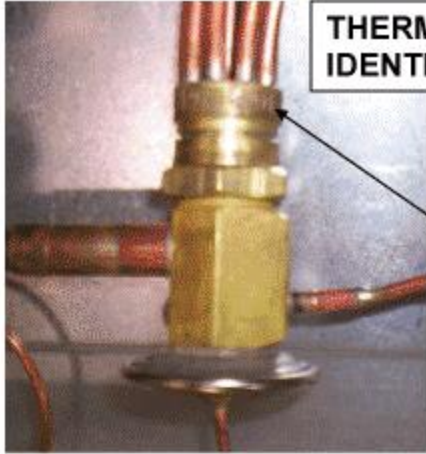
Heat Exchanger Assembly



In-Shot Burner Assembly - Before F4708



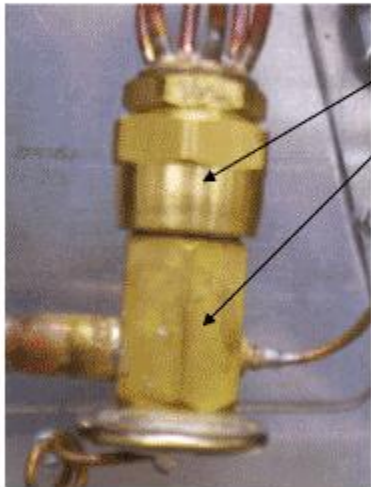
One Piece Burner Assembly - After F4708



THERMAL EXPANSION VALVE MANUFACTURER IDENTIFICATION (For "N" Style Indoor Coils ONLY)

Sporlan Expansion Valves

Look for the name "SPORLAN" engraved on the base at the distributor body assembly.



Parker Expansion Valves

The distributor body is larger (thicker) than the expansion valve body.



Emerson Expansion Valves

The expansion valve body is about two (2) inches long. Look between the arrows.

IMPORTANT NOTE:

To obtain the correct replacement TXV you must either:

- 1. Provide the EXACT TXV part number obtained by examining the unit.**
- 2. Provide a) The unit model number and b) the TXV manufacturer (determined by using this guide).**

TXV Identification Guide

NOTES

Stk It is recommended that stock be maintained for this part.

N/A Not Applicable

- 1 On or about 11/22/08 (Date Code 4708), the Burner Assemblies were changed from a multiple (individual) tube burner design to a single plate (integral) burner design. Check unit for appropriate burner assembly type before ordering replacement parts.

DISCLAIMER: This document is intended to provide general replacement parts information to aid qualified service personnel in the repair of these models. The complete Model and Serial Number of the unit under repair should be specified when selecting and ordering replacement parts. Specifications and illustrations are subject to change without notice. Document 92-42800-RKNL-A supersedes all previous parts lists for these models. See <http://www.rheempartslists.net/92-42800-RKNL-A> for the latest revision of this document. The manufacturer assumes no obligation for errors or omissions. Service personnel must verify the proper and safe operation of equipment after the replacement of any original components.