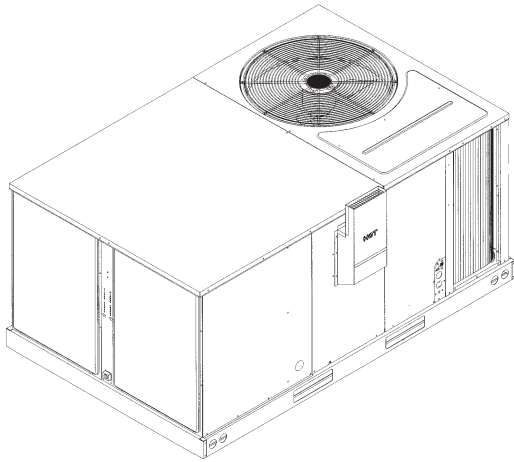


INSTALLATION INSTRUCTIONS

Package Gas Electric Featuring
Industry Standard R-410A Refrigerant **R-410A**
RKNL 13 SEER (3-5 TONS) SERIES
RKPL 14 SEER (3-5 TONS) SERIES



ENERGY STAR

(14 SEER ONLY)

AHRP CERTIFIED™



RECOGNIZE THIS SYMBOL AS AN INDICATION OF IMPORTANT SAFETY INFORMATION!

▲ WARNING

IF THE INFORMATION IN THESE INSTRUCTIONS IS NOT FOLLOWED EXACTLY, A FIRE OR EXPLOSION MAY RESULT, CAUSING PROPERTY DAMAGE, PERSONAL INJURY OR DEATH.

▲ WARNING

THESE INSTRUCTIONS ARE INTENDED AS AN AID TO QUALIFIED SERVICE PERSONNEL FOR PROPER INSTALLATION, ADJUSTMENT AND OPERATION OF THIS UNIT. READ THESE INSTRUCTIONS THOROUGHLY BEFORE ATTEMPTING INSTALLATION OR OPERATION. FAILURE TO FOLLOW THESE INSTRUCTIONS MAY RESULT IN IMPROPER INSTALLATION, ADJUSTMENT, SERVICE OR MAINTENANCE, POSSIBLY RESULTING IN FIRE, ELECTRICAL SHOCK, CARBON MONOXIDE POISONING, EXPLOSION, PROPERTY DAMAGE, PERSONAL INJURY OR DEATH.

▲ WARNING

PROPOSITION 65 WARNING: THIS PRODUCT CONTAINS CHEMICALS KNOWN TO THE STATE OF CALIFORNIA TO CAUSE CANCER, BIRTH DEFECTS OR OTHER REPRODUCTIVE HARM.


▲ WARNING

- Do not store or use gasoline or other flammable vapors and liquids, or other combustible materials in the vicinity of this or any other appliance.
- WHAT TO DO IF YOU SMELL GAS
 - Do not try to light any appliance.
 - Do not touch any electrical switch; do not use any phone in your building.
 - Immediately call your gas supplier from a neighbor's phone. Follow the gas supplier's instructions.
 - If you cannot reach your gas supplier, call the fire department.
 - Do not return to your home until authorized by the gas supplier or fire department.
- DO NOT RELY ON SMELL ALONE TO DETECT LEAKS. DUE TO VARIOUS FACTORS, YOU MAY NOT BE ABLE TO SMELL FUEL GASES.
 - U.L. recognized fuel gas and CO detectors are recommended in all applications, and their installation should be in accordance with the manufacturer's recommendations and/or local laws, rules, regulations, or customs.
- Improper installation, adjustment, alteration, service or maintenance can cause injury, property damage or death. Refer to this manual. Installation and service must be performed by a qualified installer, service agency or the gas supplier. In the commonwealth of Massachusetts, installation must be performed by a licensed plumber or gas fitter for appropriate fuel.

DO NOT DESTROY THIS MANUAL. PLEASE READ CAREFULLY AND KEEP IN A SAFE PLACE FOR FUTURE REFERENCE BY A SERVICEMAN.

I. TABLE OF CONTENTS

I. Table of Contents	2
II. Introduction	3
III. Checking Product Received	3
IV. Specifications.....	3
A. General	3
B. Major Components.....	3
C. R-410A Refrigerant	3
1. Specifications of R-410A.....	3
2. Quick Reference Guide for R-410A	4
3. Evaporator Coil/TXV	4
4. Tools Required for Installing and Servicing R-410A Models.....	4
V. Safety Information.....	4
VI. Unit Dimensions.....	5
VII. Installation.....	7
A. General	7
1. Pre-Installation Check	7
2. Location Considerations.....	7
B. Outside Installation.....	8
C. Attaching Exhaust and Combustion Air Inlet Hoods	9
D. Cover Panel Installation/Conversion Procedure	9
E. Clearances	9
F. Rooftop Installation	10
G. Ductwork	10
H. Return Air	11
VIII. Gas Supply, Condensate Drain and Piping	13
A. Gas Connection	13
B. LP Conversion.....	14
C. NOx Models	14
D. Adjusting or Checking Furnace Input.....	15
E. Condensate Drain	16
IX. Wiring.....	16
A. Power Supply	16
B. Hook Up	18
C. Internal Wiring	18
D. Thermostat	18
X. Furnace Section Controls and Ignition System.....	19
Normal Furnace Operating Sequence.....	19
Operating Instructions	20
Burners	21
Manual Reset Overtemperature Control.....	21
Pressure Switch.....	21
Limit Control	21
XI. System Operating Information.....	21
Advise the Customer	21
Furnace Section Maintenance.....	22
Lubrication	23
Cooling Section Maintenance.....	23
Replacement Parts	24
Troubleshooting.....	24
Wiring Diagrams	24
Charging.....	24
Blower Motor Speed Taps.....	24
XII. General Data	27-61
XIII. Miscellaneous.....	62
Electrical and Physical Data.....	62-70
Airflow Performance.....	71-80
Wiring Diagrams.....	81-88
Charge Charts	89-93
Troubleshooting.....	94-96

 Recognize this symbol as an indication of Important Safety Information!

WARNING

THE MANUFACTURER'S WARRANTY DOES NOT COVER ANY DAMAGE OR DEFECT TO THE AIR CONDITIONER CAUSED BY THE ATTACHMENT OR USE OF ANY COMPONENTS, ACCESSORIES OR DEVICES (OTHER THAN THOSE AUTHORIZED BY THE MANUFACTURER) INTO, ONTO OR IN CONJUNCTION WITH THE AIR CONDITIONER. YOU SHOULD BE AWARE THAT THE USE OF UNAUTHORIZED COMPONENTS, ACCESSORIES OR DEVICES MAY ADVERSELY AFFECT THE OPERATION OF THE AIR CONDITIONER AND MAY ALSO ENDANGER LIFE AND PROPERTY. THE MANUFACTURER DISCLAIMS ANY RESPONSIBILITY FOR SUCH LOSS OR INJURY RESULTING FROM THE USE OF SUCH UNAUTHORIZED COMPONENTS, ACCESSORIES OR DEVICES.

WARNING

INSTALL THIS UNIT ONLY IN A LOCATION AND POSITION AS SPECIFIED IN THE LOCATION REQUIREMENTS AND CONSIDERATIONS SECTION OF THESE INSTRUCTIONS. PROVIDE ADEQUATE COMBUSTION AND VENTILATION AIR TO THE UNIT SPACE AS SPECIFIED IN THE VENTING SECTION OF THESE INSTRUCTIONS.

WARNING

PROVIDE ADEQUATE COMBUSTION AND VENTILATION AIR TO THE UNIT SPACE AS SPECIFIED IN THE COMBUSTION AND VENTILATION AIR SECTION OF THESE INSTRUCTIONS.

II. INTRODUCTION

This booklet contains the installation and operating instructions for your combination gas heating/electric cooling unit. There are some precautions that should be taken to derive maximum satisfaction from it. Improper installation can result in unsatisfactory operation or dangerous conditions.

Read this booklet and any instructions packaged with separate equipment required to make up the system prior to installation. Give this booklet to the owner and explain its provisions. The owner should retain this booklet for future reference.

III. CHECKING PRODUCT RECEIVED

Upon receiving the unit, inspect it for any damage from shipment. Claims for damage, either shipping or concealed, should be filed immediately with the shipping company.

IMPORTANT: Check the unit model number, heating size, electrical characteristics, and accessories to determine if they are correct.

IV. SPECIFICATIONS

A. GENERAL

The Combination Gas Heating/Electric Cooling Rooftop is available in 80,000, 100,000, 120,000 and 135,000 BTU/Hr. heating inputs and cooling capacities of 3, 3½, 4, and 5 nominal tons of cooling. Units are convertible from bottom supply and return to side supply and return by relocation of supply and return air access panels. See cover installation detail.

The units are weatherized for mounting outside of the building.

WARNING

UNITS ARE NOT DESIGN CERTIFIED TO BE INSTALLED INSIDE THE STRUCTURE. DOING SO CAN CAUSE INADEQUATE UNIT PERFORMANCE AS WELL AS PROPERTY DAMAGE AND CARBON MONOXIDE POISONING RESULTING IN PERSONAL INJURY OR DEATH.

The information on the rating plate is in compliance with the FTC and DOE rating for single phase units. The following information is for three phase units which **are not** covered under the DOE certification program.

1. The energy consumption of the ignition system used with this unit is 9 watts.
2. The efficiency rating of this unit is a product thermal efficiency rating determined under continuous operating conditions independent of any installed system.

B. MAJOR COMPONENTS

The unit includes a hermetically-sealed refrigerating system (consisting of a scroll compressor, condenser coil, evaporator coil with thermostatic expansion valve), a circulation air blower, a condenser fan, a heat exchanger assembly, gas burner and control assembly, combustion air motor and fan, and all necessary internal electrical wiring. The cooling system of these units is factory-evacuated, charged with R-410A refrigerant and performance tested. Refrigerant amount and type are indicated on rating plate.

C. R410A REFRIGERANT

All units are factory charged with R-410A refrigerant.

1. Specification of R-410A:

Application: R-410A is not a drop-in replacement for R-22; equipment designs must accommodate its higher pressures. It cannot be retrofitted into R-22 units.

Pressure: The pressure of R-410A is approximately 60% (1.6 times) greater than R-22. Recovery and recycle equipment, pumps, hoses and the like need to have design pressure ratings appropriate for R-410A. *Manifold sets need to range up to 800 psig high-side and 250 psig low-side with a 550 psig low-side retard. Hoses need to have a service pressure rating of 800 psig. Recovery cylinders need to have a 400 psig service pressure rating. DOT 4BA400 or DOT BW400.*

Combustibility: At pressures above 1 atmosphere, mixture of R-410A and air can become combustible. **R-410A and air should never be mixed in tanks or supply**

lines, or be allowed to accumulate in storage tanks. Leak checking should never be done with a mixture of R-410A and air. Leak checking can be performed safely with nitrogen or a mixture of R-410A and nitrogen.

2. Quick Reference Guide For R-410A

- R-410A refrigerant operates at approximately 60% higher pressure (1.6 times) than R-22. Ensure that servicing equipment is designed to operate with R-410A.
- R-410A refrigerant cylinders are pink.
- R-410A, as with other HFC's is only compatible with POE oils.
- Vacuum pumps will not remove moisture from POE oil.
- R-410A systems are to be charged with liquid refrigerants. Prior to March 1999, R-410A refrigerant cylinders had a dip tube. These cylinders should be kept upright for equipment charging. Post March 1999 cylinders do not have a dip tube and should be inverted to ensure liquid charging of the equipment.
- Do not install a suction line filter drier in the liquid line.
- A liquid line filter drier is standard on every unit.
- Desiccant (drying agent) must be compatible for POE oils and R-410A

3. Evaporator Coil / TXV

The thermostatic expansion valve is specifically designed to operate with R-410A. **DO NOT use an R-22 TXV. The existing evaporator must be replaced with the factory specified TXV evaporator specifically designed for R-410A.**

4. Tools Required For Installing & Servicing R-410A Models

Manifold Sets:

- Up to 800 PSIG High side
- Up to 250 PSIG Low Side
- 550 PSIG Low Side Retard

Manifold Hoses:

- Service Pressure Rating of 800 PSIG

Recovery Cylinders:

- 400 PSIG Pressure Rating
- Dept. of Transportation 4BA400 or BW400

CAUTION

R-410A systems operate at higher pressures than R-22 systems. Do not use R-22 service equipment or components on R-410A equipment.

V. SAFETY INFORMATION

WARNING

USE ONLY WITH TYPE OF GAS APPROVED FOR THIS UNIT. REFER TO THE UNIT RATING PLATE.

VI. UNIT DIMENSIONS

FOR CLEARANCES
SEE FIGURE 7.

**IMPORTANT: THIS UNIT
MUST BE MOUNTED
LEVEL IN BOTH DIRECTIONS
TO ALLOW WATER
TO DRAIN FROM THE CONDENSER
SECTION AND
CONDENSATE PAN.**

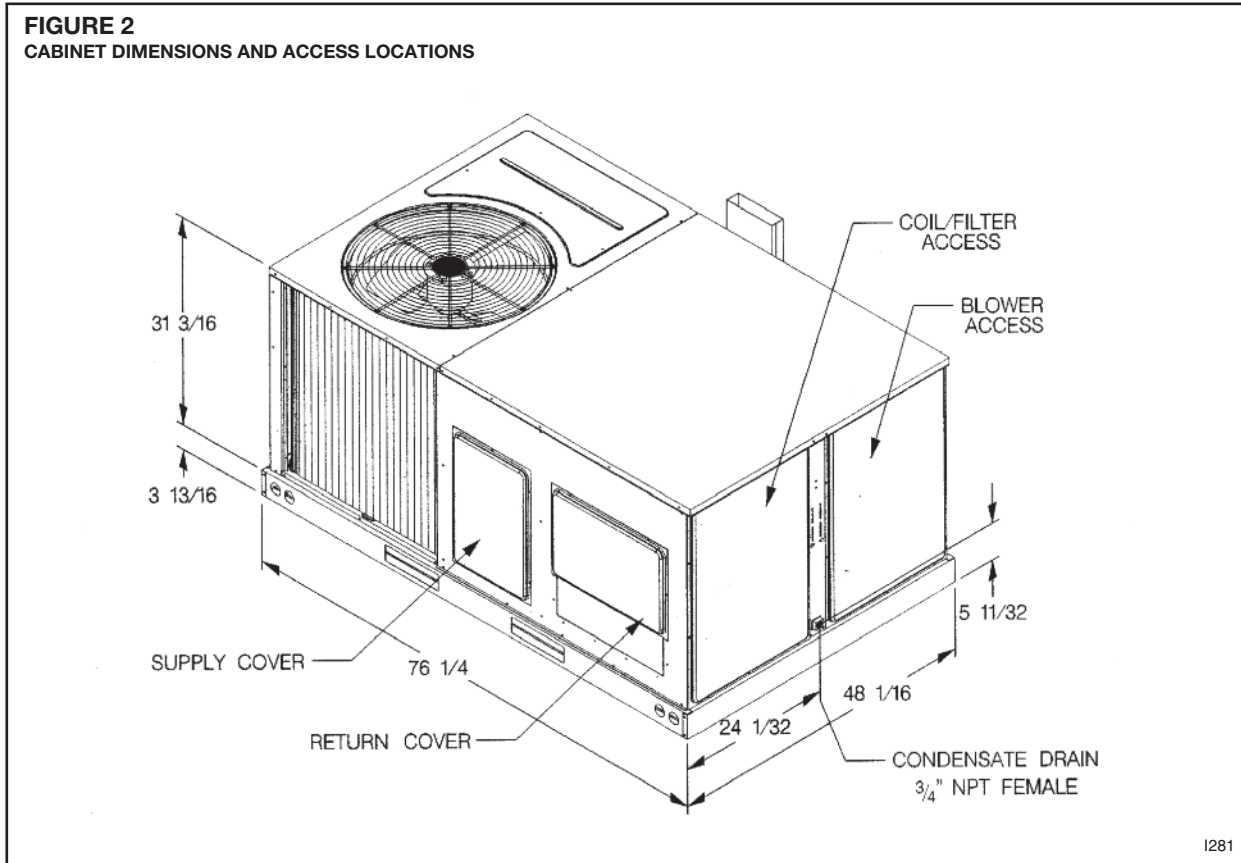
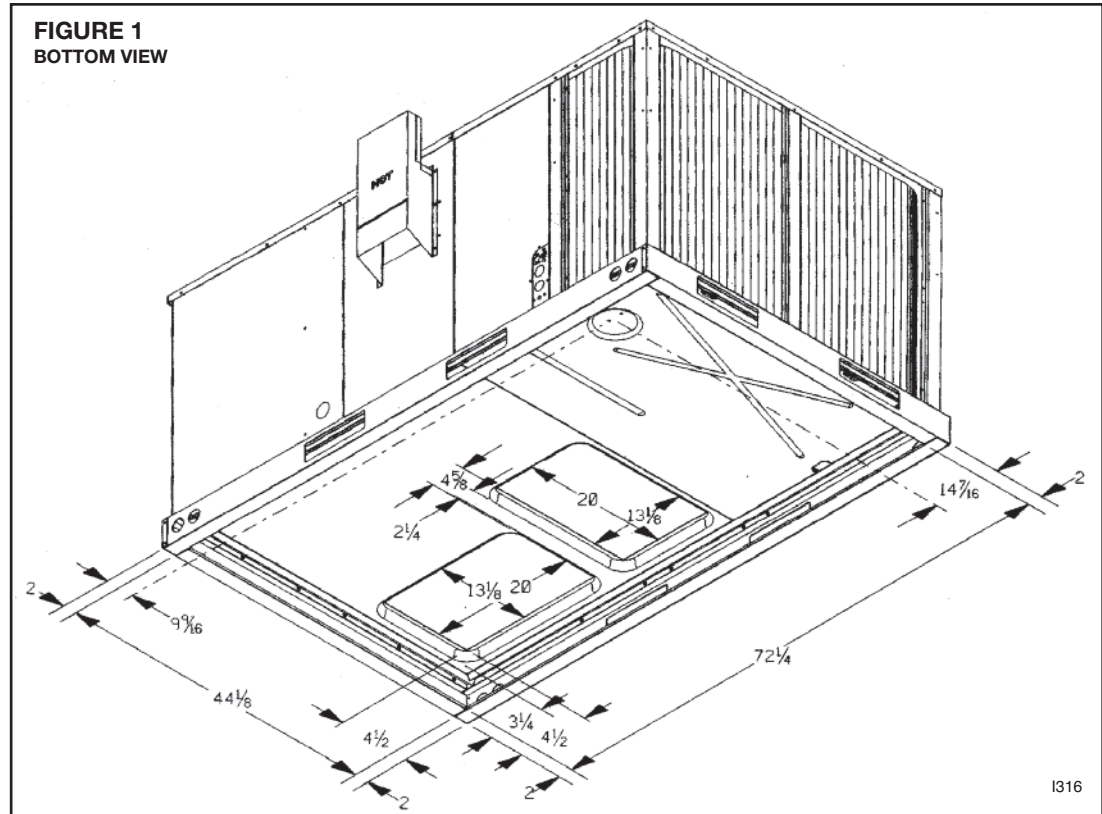
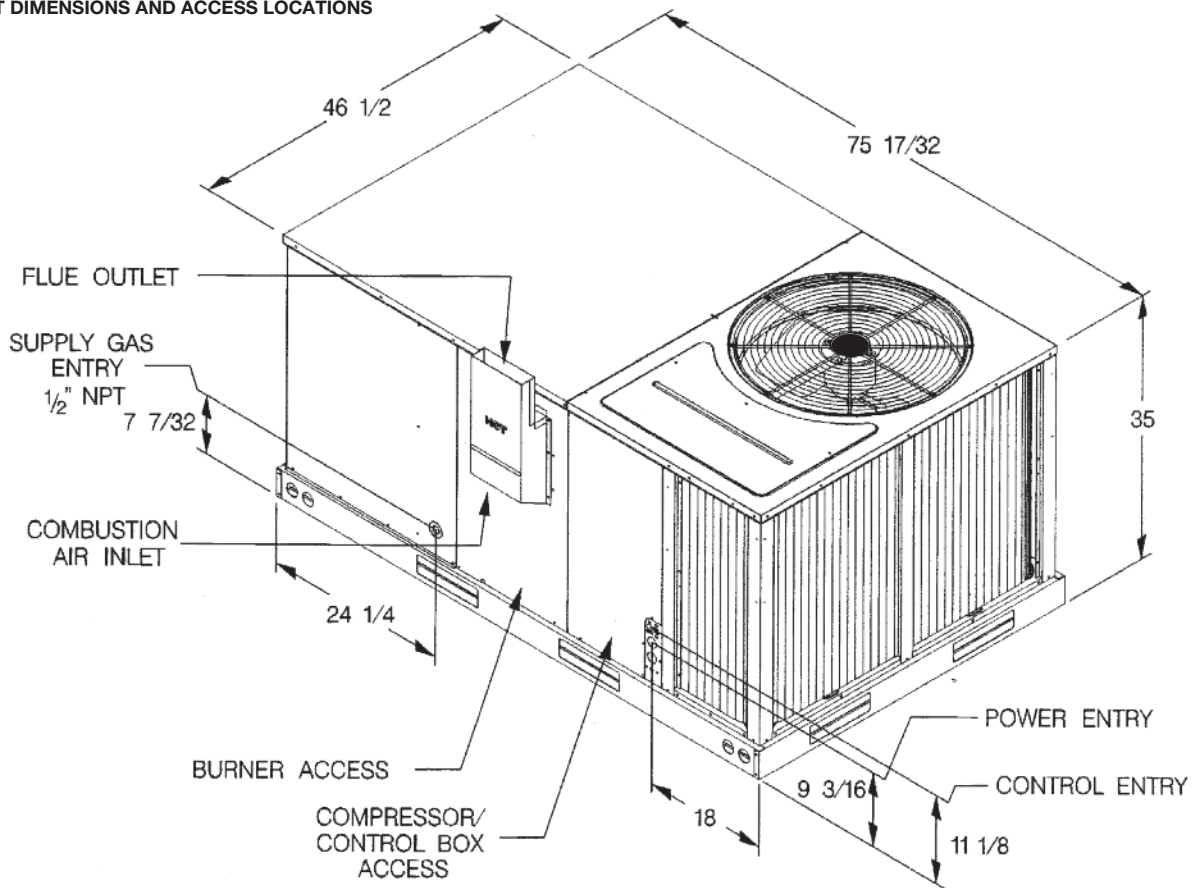
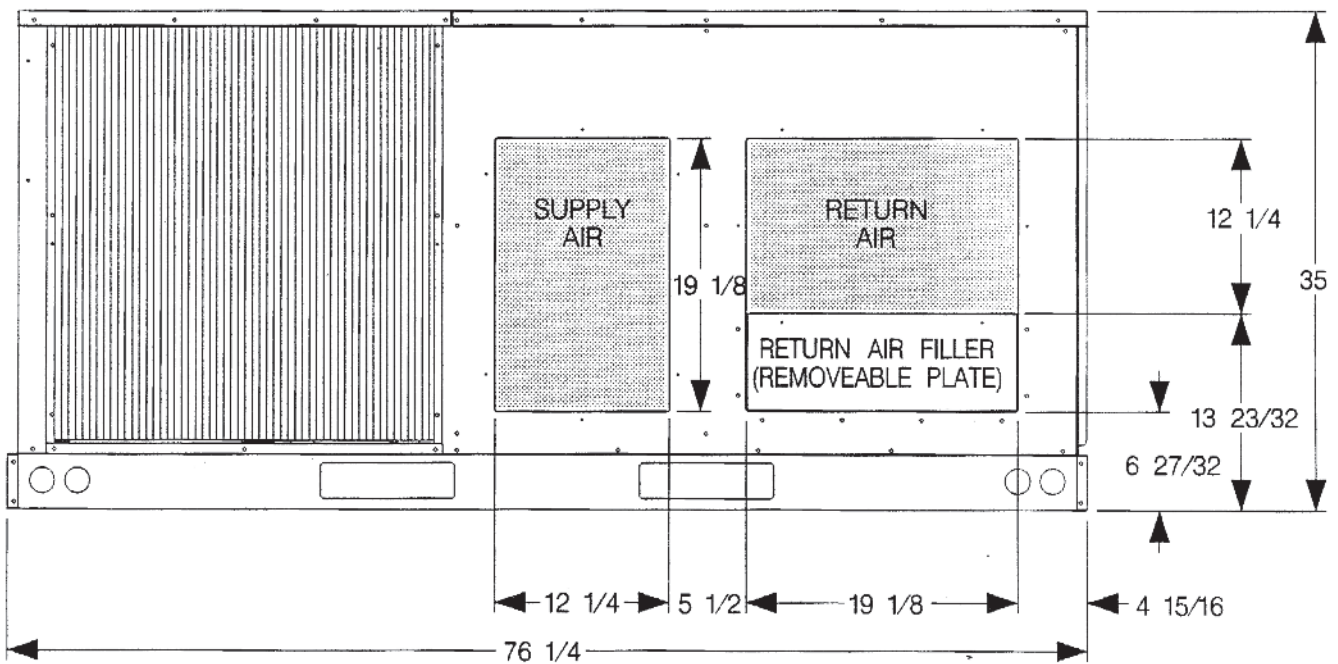


FIGURE 3
CABINET DIMENSIONS AND ACCESS LOCATIONS



1282

FIGURE 4
SUPPLY AND RETURN DIMENSIONS



1288

WARNING

NEVER TEST FOR GAS LEAKS WITH AN OPEN FLAME. USE A COMMERCIALY AVAILABLE SOAP SOLUTION MADE SPECIFICALLY FOR THE DETECTION OF LEAKS TO CHECK ALL CONNECTIONS, AS SPECIFIED IN GAS SUPPLY AND PIPING SECTION OF THESE INSTRUCTIONS.

WARNING

ALWAYS INSTALL UNIT TO OPERATE WITHIN THE UNIT'S INTENDED TEMPERATURE-RISE RANGE WITH A DUCT SYSTEM WHICH HAS AN EXTERNAL STATIC PRESSURE WITHIN THE ALLOWABLE RANGE, AS SPECIFIED IN DUCTING SECTION OF THESE INSTRUCTIONS. SEE ALSO UNIT RATING PLATE.

WARNING

WHEN A UNIT IS INSTALLED SO THAT SUPPLY DUCTS CARRY AIR CIRCULATED BY THE UNIT TO AREAS OUTSIDE THE SPACE CONTAINING THE UNIT, THE RETURN AIR SHALL ALSO BE HANDLED BY DUCT(S) SEALED TO THE UNIT CASING AND TERMINATING OUTSIDE THE SPACE CONTAINING THE UNIT.

VII. INSTALLATION

A. GENERAL

Install this unit in accordance with The American National Standard Z223.1-latest edition booklet entitled "National Fuel Gas Code," and the requirements or codes of the local utility or other authority having jurisdiction.

Additional helpful publications available from the "National Fire Protection Association" are: NFPA-90A - Installation of Air Conditioning and Ventilating Systems 1985 or latest edition. NFPA-90B - Warm Air Heating and Air Conditioning Systems 1984.

These publications are available from:

National Fire Protection Association, Inc.
1 Batterymarch Park
Quincy, MA 02169-7471
www.nfpa.org

1. PRE-INSTALLATION CHECK-POINTS — Before attempting any installation, carefully consider the following points:

- Structural strength of supporting members (Rooftop Installation)
- Clearances and provision for servicing
- Power supply and wiring
- Gas supply and piping
- Air duct connections and sizing
- Drain facilities and connections
- Location for minimum noise and vibration - away from bedroom windows

2. LOCATION CONSIDERATIONS

The metal parts of this unit may be subject to rust or deterioration in adverse environmental conditions. This oxidation could shorten the equipment's useful life. Salt spray, fog or mist in seacoast areas, sulphur or chlorine from lawn watering systems, and various chemical contaminants from industries such as paper mills and petroleum refineries are especially corrosive.

If the unit is to be installed in an area where contaminants are likely to be a problem, give special attention to the equipment location and exposure.

1. Avoid having lawn sprinkler heads spray directly on the unit cabinet.
2. In coastal areas locate the unit on the side of the building away from the waterfront.
3. Shielding by a fence or shrubs may give some protection.

WARNING

DISCONNECT ALL POWER TO UNIT BEFORE STARTING MAINTENANCE. FAILURE TO DO SO CAN CAUSE ELECTRICAL SHOCK RESULTING IN PERSONAL INJURY OR DEATH. REGULAR MAINTENANCE WILL REDUCE THE BUILDUP OF CONTAMINANTS AND HELP TO PROTECT THE UNIT'S FINISH.

1. Frequent washing of the cabinet, fan blade and coil with fresh water will remove most of the salt or other contaminants that build up on the unit.
2. Regular cleaning and waxing of the cabinet with a good automobile polish will provide some protection.
3. A good liquid cleaner may be used several times a year to remove matter that will not wash off with water.

Several different types of protective coatings are offered in some areas. These coatings may provide some benefit, but the effectiveness of such coating materials cannot be verified by the equipment manufacturer.

The best protection is frequent cleaning, maintenance and minimal exposure to contaminants.

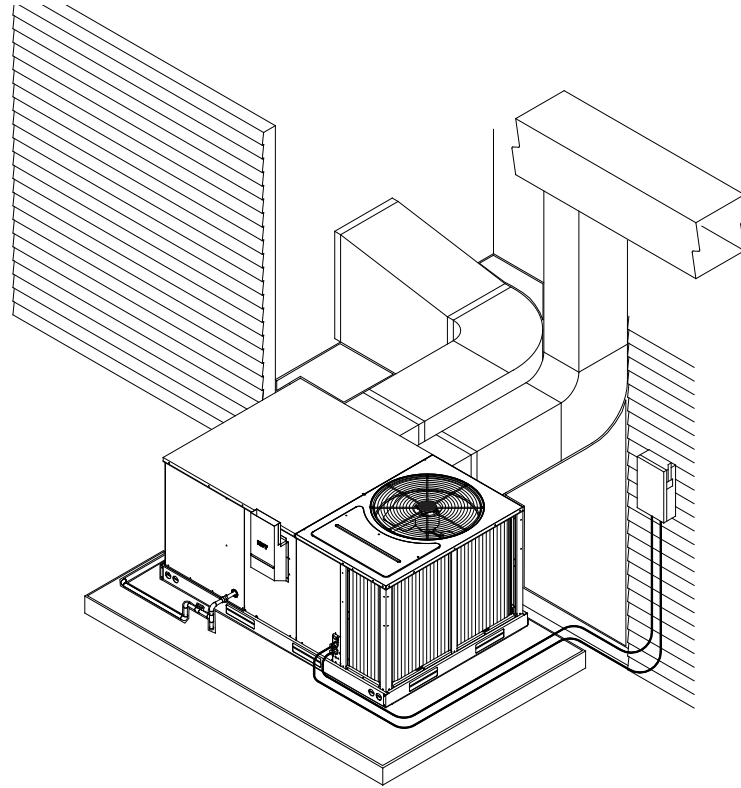
⚠ WARNING

THIS UNIT MAY BE USED TO HEAT THE BUILDING OR STRUCTURE DURING CONSTRUCTION IF THE FOLLOWING INSTALLATION REQUIREMENTS ARE MET. INSTALLATION MUST COMPLY WITH ALL INSTALLATION INSTRUCTIONS INCLUDING:

- **PROPER VENT INSTALLATION;**
- **FURNACE OPERATING UNDER THERMOSTATIC CONTROL;**
- **RETURN AIR DUCT SEALED TO THE FURNACE;**
- **AIR FILTERS IN PLACE;**
- **SET FURNACE INPUT RATE AND TEMPERATURE RISE PER RATING PLATE MARKING;**
- **MEANS OF PROVIDING OUTDOOR AIR REQUIRED FOR COMBUSTION;**
- **RETURN AIR TEMPERATURE MAINTAINED BETWEEN 55°F (13°C) AND 80°F (27°C); AND**
- **INSTALLATION OF EXHAUST AND COMBUSTION AIR INLET HOODS COMPLETED;**
- **CLEAN FURNACE, DUCT WORK AND COMPONENTS UPON SUBSTANTIAL COMPLETION OF THE CONSTRUCTION PROCESS, AND VERIFY FURNACE OPERATING CONDITIONS INCLUDING IGNITION, INPUT RATE, TEMPERATURE RISE AND VENTING, ACCORDING TO THE INSTRUCTIONS.**

FIGURE 5

OUTSIDE SLAB INSTALLATION. CLOSET DISTRIBUTION SYSTEM. SLAB FLOOR CONSTRUCTION.



1298

B. OUTSIDE SLAB INSTALLATION

⚠ WARNING

THESE UNITS ARE DESIGNED CERTIFIED FOR OUTDOOR INSTALLATION ONLY. INSTALLATION INSIDE ANY PART OF A STRUCTURE CAN RESULT IN INADEQUATE UNIT PERFORMANCE AS WELL AS PROPERTY DAMAGE. INSTALLATION INSIDE CAN ALSO CAUSE RECIRCULATION OF FLUE PRODUCTS INTO THE CONDITIONED SPACE RESULTING IN PERSONAL INJURY OR DEATH.

(Typical outdoor slab installation is shown in Figure 5.)

1. Select a location where external water drainage cannot collect around unit.
2. Provide a level slab sufficiently high enough above grade to prevent surface water from entering the unit
3. The location of the unit should be such as to provide proper access for inspection and servicing as shown in Figure 7.
4. Locate unit where operating sounds will not disturb owner or neighbors.
5. Locate unit so roof runoff water does not pour directly on the unit. Provide gutter or other shielding at roof level. Do not locate unit in an area where excessive snow drifting may occur or accumulate.
6. Where snowfall is anticipated, the height of the unit above the ground level must be considered. Mount unit high enough to be above anticipated maximum area snowfall and to allow combustion air to enter the combustion air inlet.
7. Select an area which will keep the areas of the vent, air intake, and A/C condenser fins free and clear of obstructions such as weeds, shrubs, vines, snow, etc. Inform the user accordingly.
8. Remove compressor shipping supports (if so equipped) after installation.

C. ATTACHING EXHAUST AND COMBUSTION AIR INLET HOODS

IMPORTANT: Do not operate this unit without the exhaust/combustion air inlet hood properly installed. This hood is shipped in a carton in the blower compartment inside the unit and must be attached when the unit is installed. See Figure 3.

To attach exhaust/combustion air inlet hood:

1. Remove screws securing blower access panel and remove access panel. For location of blower access panel, see Figure 2.
2. Remove exhaust/combustion air inlet hood from the carton, located inside the blower compartment.
3. Attach blower access panel.
4. Attach the combustion air inlet/exhaust hood with screws. Reference Figure 3 for proper location. Screws are in carton with the hood.
5. Vent the unit using the flue exhaust hood, as supplied from the factory, without alteration or addition.

D. COVER PANEL INSTALLATION/CONVERSION PROCEDURE

DOWNFLOW TO HORIZONTAL

1. Remove the screws and covers from the outside of the supply and return sections.
2. Install the covers in the bottom supply and return openings with the painted side up. See Figure 6. Use the existing gasket to seal the covers.
3. Secure the supply cover to the base of the unit with 1 screw, engaging prepunched tab in unit base.
4. Secure the return cover to the base of the unit with screws engaging prepunched holes in the unit base.

This unit is provided with 2 - 25" X 16" X 1" disposable filters. When replacing filters, ensure they are inserted fully to the back to prevent bypass.

E. CLEARANCES

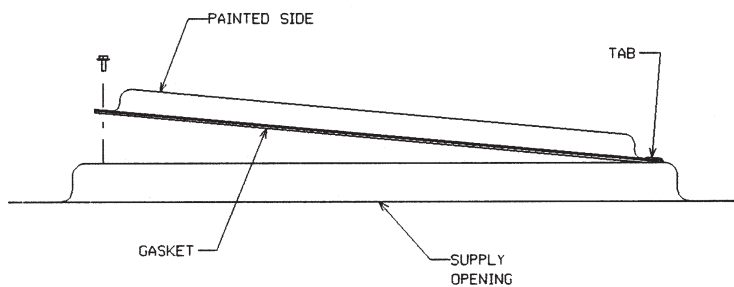
The following minimum clearances must be observed for proper unit performance and serviceability. Reference Figure 7.

NOTE: Supply duct may be installed with "0" inch clearance to combustible materials, provided 1" minimum Fiberglass insulation is applied either inside or on the outside of the duct.

Recommended Clearance	Location
48"	A - Front
18"	B - Condenser Coil
12"*	C - Duct Side
36"	D - Evaporator End
60"	E - Above

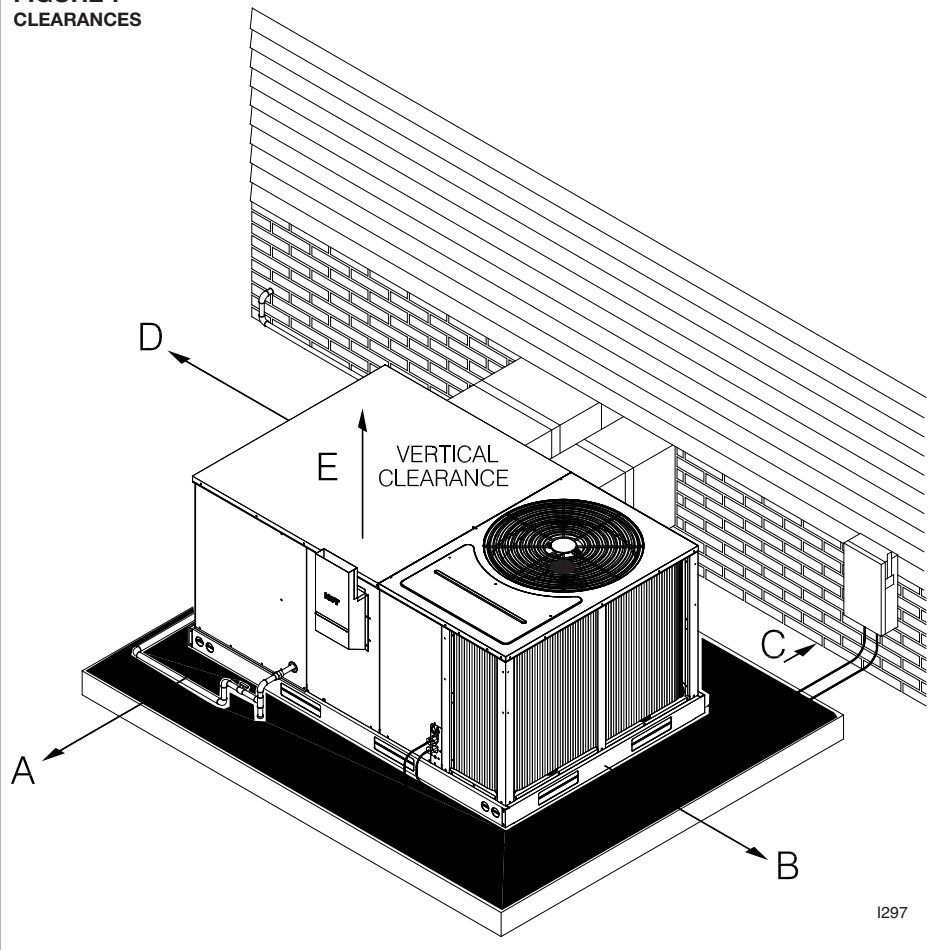
*Without Economizer. 57 With Economizer

**FIGURE 6
COVER GASKET DETAIL FOR UNITS SHIPPED FOR DOWNFLOW APPLICATION
BEING CONVERTED TO HORIZONTAL**



I631

**FIGURE 7
CLEARANCES**



F. ROOFTOP INSTALLATION

1. Before locating the unit on the roof, make sure that the roof structure is adequate to support the weight involved. (See Electrical & Physical Tables in this manual.) **THIS IS VERY IMPORTANT AND THE INSTALLER'S RESPONSIBILITY.**
2. For rigging and roofcurb details, see Figures 8, 9, 10 and 11.
3. The location of the unit on the roof should be such as to provide proper access for inspection and servicing.
4. Remove compressor shipping supports (if so equipped) after installation.

IMPORTANT: *If unit will not be put into service immediately, block off supply and return air openings to prevent excessive condensation.*

G. DUCTWORK

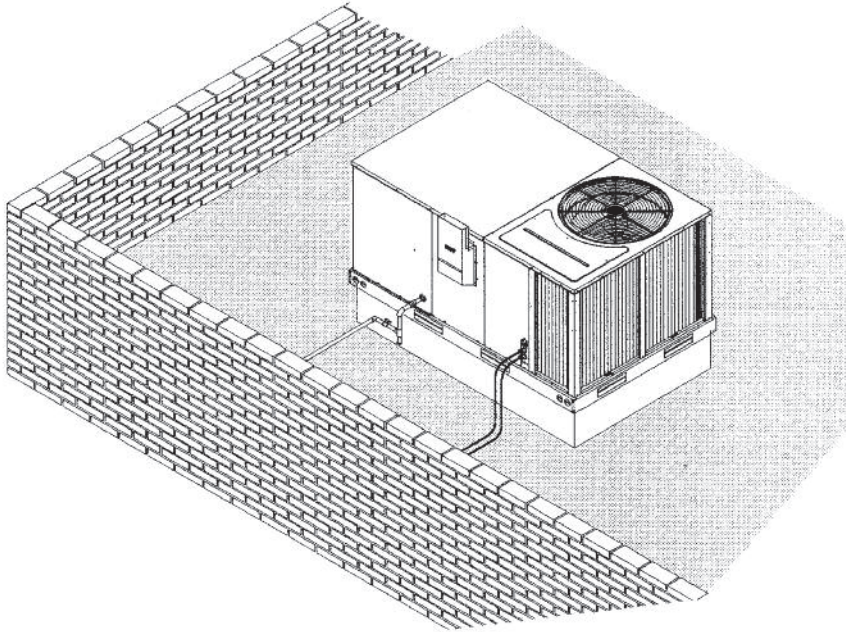
The installing contractor should fabricate ductwork in accordance with local codes. Use industry manuals as a guide when sizing and designing the duct system. Contact Air Conditioning Contractors of America, 2800 Shirlington Road, Suite 300, Arlington, VA 22206, <http://www.acca.org>.

▲ WARNING

DO NOT, UNDER ANY CIRCUMSTANCES, CONNECT RETURN DUCTWORK TO ANY OTHER HEAT PRODUCING DEVICE SUCH AS FIREPLACE INSERT, STOVE, ETC. UNAUTHORIZED USE OF SUCH DEVICES MAY RESULT IN FIRE, CARBON MONOXIDE POISONING, EXPLOSION, PERSONAL INJURY, PROPERTY DAMAGE OR DEATH.

FIGURE 8

FLAT ROOFTOP INSTALLATION, ATTIC OR DROP CEILING DISTRIBUTING SYSTEM. MOUNTED ON ROOFCURB. CURB MUST BE LEVEL.



1299

Place the unit as close to the conditioned space as possible allowing clearances as indicated. Run ducts as directly as possible to supply and return outlets. Use of non-flammable weatherproof flexible connectors on both supply and return connections at unit to reduce noise transmission is recommended.

On ductwork exposed to outside temperature and humidity, use a minimum of 2" of insulation and a vapor barrier. Distribution system in attic, furred space or crawl space should be insulated with at least 2" of insulation. ½" to 1" thick insulation is usually sufficient for ductwork inside the air conditioned space.

Provide balancing dampers for each branch duct in the supply system. Properly support ductwork from the structure.

IMPORTANT: In the event that the return air ducts must be run through an "unconfined" space containing other fuel burning equipment, it is imperative that the user/homeowner must be informed against future changes in construction which might change this to a "confined space." Also, caution the user/homeowner against any future installation of additional equipment (such as power ventilators, clothes dryers, etc., within the existing unconfined and/or confined space which might create a negative pressure within the vicinity of other solid, liquid, or gas fueled appliances.

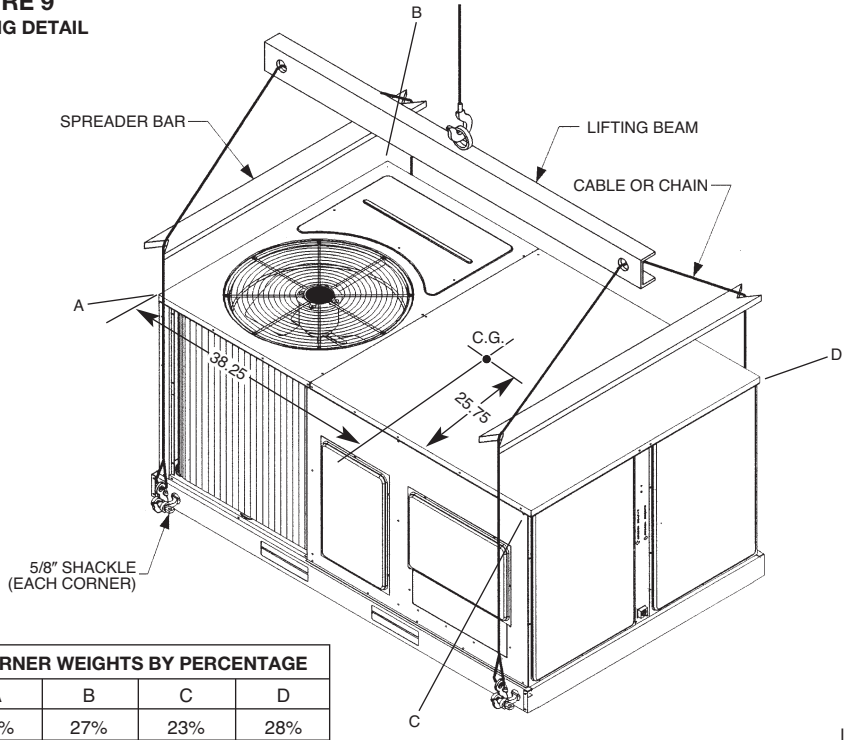
H. RETURN AIR

⚠ WARNING

NEVER ALLOW PRODUCTS OF COMBUSTION OR THE FLUE PRODUCTS TO ENTER THE RETURN AIR DUCTWORK, OR THE CIRCULATING AIR SUPPLY. ALL RETURN DUCTWORK MUST BE ADEQUATELY SEALED AND SECURED TO THE FURNACE WITH SHEET METAL SCREWS, AND JOINTS TAPED. ALL OTHER DUCT JOINTS MUST BE SECURED WITH APPROVED CONNECTIONS AND SEALED AIRTIGHT.

FAILURE TO PREVENT PRODUCTS OF COMBUSTION FROM BEING CIRCULATED INTO THE LIVING SPACE CAN CREATE POTENTIALLY HAZARDOUS CONDITIONS, INCLUDING CARBON MONOXIDE POISONING THAT COULD RESULT IN PERSONAL INJURY OR DEATH.

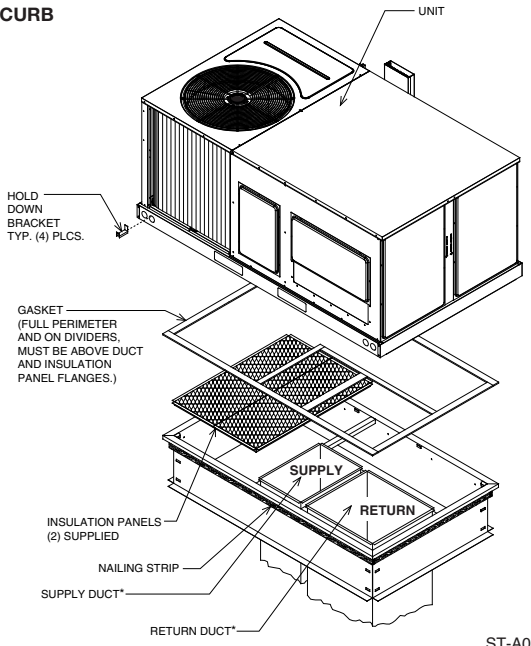
FIGURE 9
LIFTING DETAIL



CORNER WEIGHTS BY PERCENTAGE			
A	B	C	D
22%	27%	23%	28%

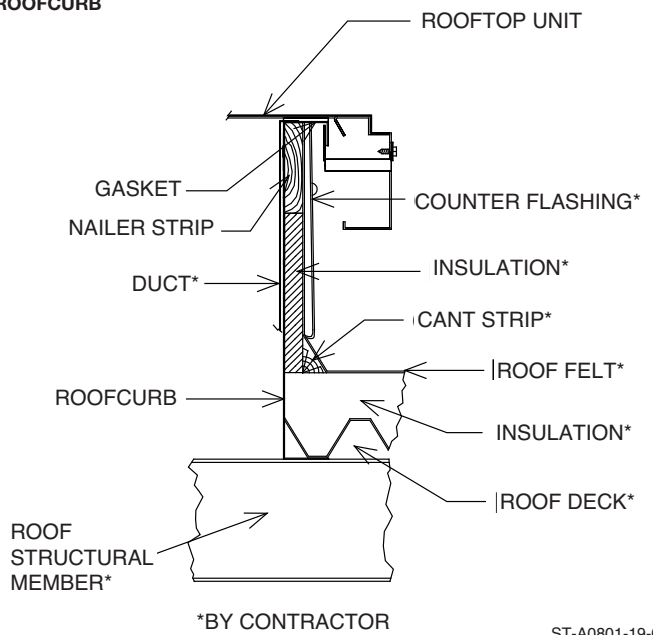
I296

FIGURE 10
ROOFCURB



ST-A0801-19-01

FIGURE 11
ROOFCURB



*BY CONTRACTOR

ST-A0801-19-01

VIII. GAS SUPPLY, CONDENSATE DRAIN AND PIPING

A. GAS CONNECTION

IMPORTANT: Connect this unit only to gas supplied by a commercial utility.

1. Install gas piping in accordance with local codes and regulations of the local utility company. In the absence of local codes, the installation must conform to the specifications of the National Fuel Gas Code, ANSI Z223.1 - latest edition.

NOTE: The use of flexible gas connectors is not permitted. If local codes allow the use of a corrugated stainless steel flexible gas appliance connector, always use a new listed connector. Do not use a connector which has previously serviced another gas appliance.

NOTE: The Commonwealth of Massachusetts requires the gas shut-off valve to be a T-handle gas cock.

2. Connect the gas line to the gas pipe inlet opening provided into the 1/2" inlet valve. See Figure 5 or 8 for typical piping.
3. Size the gas line to the furnace adequate enough to prevent undue pressure drop and never less than 1/2" nominal pipe size.
4. Install a drip leg or sediment trap in the gas supply line as close to the unit as possible.
5. Install an outside ground joint union to connect the gas supply to the control assembly at the burner tray.
6. Gas valves have been factory installed. Install a manual gas valve where local codes specify a shut-off valve outside the unit casing. (See Figure 13.)
7. Make sure piping is tight. **A pipe compound resistant to the action of liquefied petroleum gases must be used at all threaded pipe connections.**
8. **IMPORTANT:** any additions, changes or conversions required for the furnace to satisfactorily meet the application should be made by a qualified installer, service agency or the gas supplier, using factory-specified or approved parts. In the commonwealth of Massachusetts, installation must be performed by a licensed plumber or gas fitter for appropriate fuel.

IMPORTANT: Disconnect the furnace and its individual shutoff valve from the gas supply piping during any pressure testing of that system at test pressures in excess of 1/2 pound per square inch gauge or isolate the system from the gas supply piping system by closing its individual manual shutoff valve during any pressure testing of this gas supply system at pressures equal to or less than 1/2 PSIG.

TO CHECK FOR GAS LEAKS, USE A SOAP AND WATER SOLUTION OR OTHER APPROVED METHOD. DO NOT USE AN OPEN FLAME.

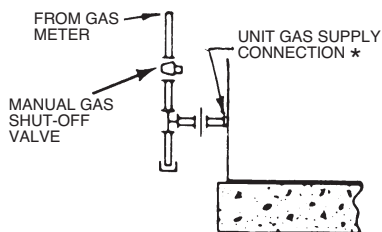
⚠ WARNING

CHECK FOR LEAKS. THE USE OF AN OPEN FLAME CAN RESULT IN FIRE, EXPLOSION, PROPERTY DAMAGE, PERSONAL INJURY OR DEATH.

IMPORTANT: Check the rating plate to make certain the appliance is equipped to burn the type of gas supplied. Care should be taken after installation of this equipment that the gas control valve not be subjected to high gas supply line pressure.

FIGURE 13
SUGGESTED GAS PIPING

ROOF OR GROUND LEVEL INSTALLATION



*Factory supplied grommet must be utilized.

TABLE 1
NATURAL GAS PIPE CAPACITY TABLE (CU. FT./HR.)

Nominal Iron Pipe Size, Inches	Equivalent Length of Pipe, Feet							
	10	20	30	40	50	60	70	80
1/2	132	92	73	63	56	50	46	43
3/4	278	190	152	130	115	105	96	90
1	520	350	285	245	215	195	180	170
1 1/4	1,050	730	590	500	440	400	370	350
1 1/2	1,600	1,100	890	760	670	610	560	530

In making gas connections, avoid strains as they may cause noise and damage the controls. A backup wrench is required to be used on the valve to avoid damage.

The capacities of gas pipe of different diameters and lengths in cu. ft. per hr. with pressure drop of 0.3 in. and specific gravity of 0.60 (natural gas) are shown in Table 1.

After determining the pipe length, select the pipe size which will provide the minimum cubic feet per hour required for the gas input rating of the furnace. By formula:

$$\text{Cu. Ft. Per Hr. Required} = \frac{\text{Gas Input of Furnace (BTU/HR)}}{\text{Heating Value of Gas (BTU/FT}^3\text{)}}$$

The gas input of the furnace is marked on the furnace rating plate. The heating value of the gas (BTU/FT³) may be determined by consulting the local natural gas utility or the L.P. gas supplier.

B. LP CONVERSION

WARNING

FACTORY FOR USE ON NATURAL GAS ONLY. CONVERSION TO LP GAS REQUIRES A SPECIAL KIT SUPPLIED BY THE DISTRIBUTOR OR MANUFACTURER. MAILING ADDRESSES ARE LISTED ON THE FURNACE RATING PLATE, PARTS LIST AND WARRANTY. FAILURE TO USE THE PROPER CONVERSION KIT CAN CAUSE FIRE, CARBON MONOXIDE POISONING, EXPLOSION, PERSONAL INJURY, PROPERTY DAMAGE OR DEATH.

Convert the valve to use liquefied petroleum (LP) gas by replacing the pressure regulator spring with the conversion kit spring. This LP kit spring allows the regulator to maintain the proper manifold pressure for LP gas. The correct burner LP orifices are included in the kit. See Figure 14.

IMPORTANT: To remove the gas valve, remove the four screws securing the manifold pipe to the burner tray. Remove the manifold pipe with gas valve attached. See Figure 15.

NOTE: Order the correct LP conversion kit from the furnace manufacturer. *See Conversion Kit Index shipped with unit for proper LP kit number. Furnace conversion to LP gas must be performed by a qualified technician.*

C. NOx MODELS

When converting units equipped with NOx inserts to LP gas, the stainless steel screen mesh inserts in the entrance of the tubular exchangers are not required to meet SCAQMD NOx emission levels. These inserts and 1/8" diameter retaining rod should be carefully removed before firing this furnace on LP gas. **IMPORTANT:** This furnace is not designed to operate on LP gas with the NOx inserts in place.

Step by step instructions on removing the NOx inserts and retaining rod are included in the Conversion Kit Installation Instructions.

TABLE 2
LP GAS PIPE CAPACITY TABLE (CU. FT./HR.)

Maximum capacity of pipe in thousands of BTU per hour of undiluted liquefied petroleum gases (at 11 inches water column inlet pressure).
(Based on a Pressure Drop of 0.5 Inch Water Column)

Nominal Iron Pipe Size, Inches	Length of Pipe, Feet												
	10	20	30	40	50	60	70	80	90	100	125	150	
1/2	275	189	152	129	114	103	96	89	83	78	69	63	
3/4	567	393	315	267	237	217	196	182	173	162	146	132	
1	1,071	732	590	504	448	409	378	346	322	307	275	252	
1-1/4	2,205	1,496	1,212	1,039	913	834	771	724	677	630	567	511	
1-1/2	3,307	2,299	1,858	1,559	1,417	1,275	1,181	1,086	1,023	976	866	787	
2	6,221	4,331	3,465	2,992	2,646	2,394	2,205	2,047	1,921	1,811	1,606	1,496	

Example (LP): Input BTU requirement of unit, 150,000
Equivalent length of pipe, 60 ft. = 3/4" IPS required.

FIGURE 14



FIGURE 15



MANIFOLD PIPE

D. ADJUSTING OR CHECKING FURNACE INPUT

- Natural Gas Line Pressure 5" - 10.5" W.C.
- LP Gas Line Pressure 11" - 13" W.C.
- Natural Gas Manifold Pressure 3.5" W.C
- LP Gas Manifold Pressure - 10" W.C.

Supply and manifold pressure taps are located on the gas valve body 1/8" N.P.T. and on the manifold.

Use a properly calibrated manometer gauge for accurate gas pressure readings.

Only small variations in the gas flow should be made by means of the pressure regulator adjustment. Furnaces functioning on LP gas must be set by means of the tank or branch supply regulators. The furnace manifold pressure should be set at 10" W.C. at the gas control valve.

To adjust the pressure regulator, remove the regulator cap and turn the adjustment screw clockwise to increase pressure or counterclockwise to decrease pressure. **Then replace the regulator cap securely.**

Any necessary major changes in the gas flow rate should be made by changing the size of the burner orifices. To change orifice spuds, shut off the manual main gas valve and remove the gas manifold.

For elevations up to 2,000 feet, rating plate input ratings apply. For high altitudes (elevations over 2,000 ft.), see conversion kit index 92-21519-XX for derating and orifice spud sizes.

Check of input is important to prevent over-firing of the furnace beyond its design-rated input. NEVER SET INPUT ABOVE THAT SHOWN ON THE RATING PLATE. Use the following table or formula to determine input rate.

$$\text{Cu. Ft. Per Hr. Required} = \frac{\text{Heating Value of Gas (BTU/Cu. Ft.)} \times 3600}{\text{Time in Seconds (for 1 Cu. Ft.) of Gas}}$$

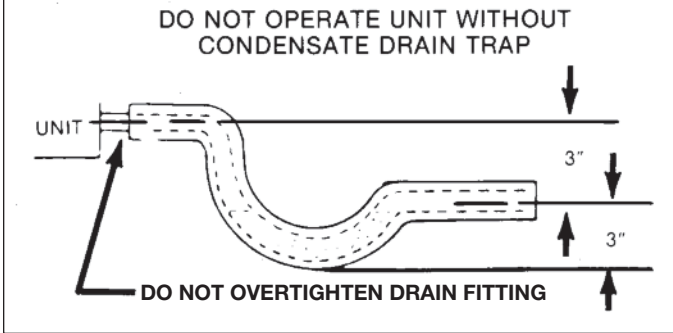
Start the furnace and measure the time required to burn one cubic foot of gas. Prior to checking the furnace input, make certain that all other gas appliances are shut off, with the exception of pilot burners. Time the meter with only the furnace in operation.

IMPORTANT NOTE FOR ALTITUDES ABOVE 2,000 FEET (610 METERS): The main burner orifices in your furnace and in these kits are sized for the nameplate input and intended for installations at elevations up to 2,000 feet in the USA or Canada, or for elevations of 2,000 - 4,500 feet (610 -1,373 meters) in Canada if the unit has been derated at the factory. For elevations above 2,000 feet (610 meters) **IN THE USA ONLY** (see ANSI-Z223.1), the burner orifices must be sized to reduce the input 4% for each 1,000 feet (305 meters) above sea level.

TABLE 3

METER TIME IN MINUTES AND SECONDS FOR NORMAL INPUT RATING OF FURNACES EQUIPPED FOR NATURAL OR LP GAS											
INPUT BTU/HR	METER SIZE CU. FT.	HEATING VALUE OF GAS BTU PER CU. FT.									
		900		1000		1040		1100		2500	
		MIN.	SEC.	MIN.	SEC.	MIN.	SEC.	MIN.	SEC.	MIN.	SEC.
40,000	ONE TEN	1	21	1	30	1	34	1	39	3	45
		13	30	15	0	15	36	16	30	37	30
60,000	ONE TEN	0	54	1	0	1	3	1	6	2	30
		9	0	10	0	10	24	11	0	25	0
80,000	ONE TEN	0	41	0	45	0	47	0	50	1	53
		6	45	7	30	7	48	8	15	18	45
100,000	ONE TEN	0	33	0	36	0	38	0	40	1	30
		5	24	6	0	6	15	6	36	15	0

**FIGURE 16
CONDENSATE DRAIN**



NOTICE: DERATING OF THE HEATING INPUT FOR HIGH ALTITUDE IN THE FIELD IS UNLAWFUL IN CANADA (REFER TO CAN/CGA 2.17). UNITS INSTALLED IN ALTITUDES GREATER THAN 2,000 FEET (610 METERS) MUST BE SHIPPED FROM THE FACTORY OR FROM A FACTORY AUTHORIZED CONVERSION STATION WITH THE HEATING INPUT DERATED BY 10% SO AS TO OPERATE PROPERLY IN ALTITUDES FROM 2,000 - 4,500 FEET (610 - 1,373 METERS).

E. CONDENSATE DRAIN

The condensate drain connection of the evaporator is threaded 3/4" nominal P.V.C. pipe. **IMPORTANT:** Install a condensate trap to ensure proper condensate drainage. See Figure 16.

IX. WIRING

A. POWER SUPPLY

⚠ WARNING

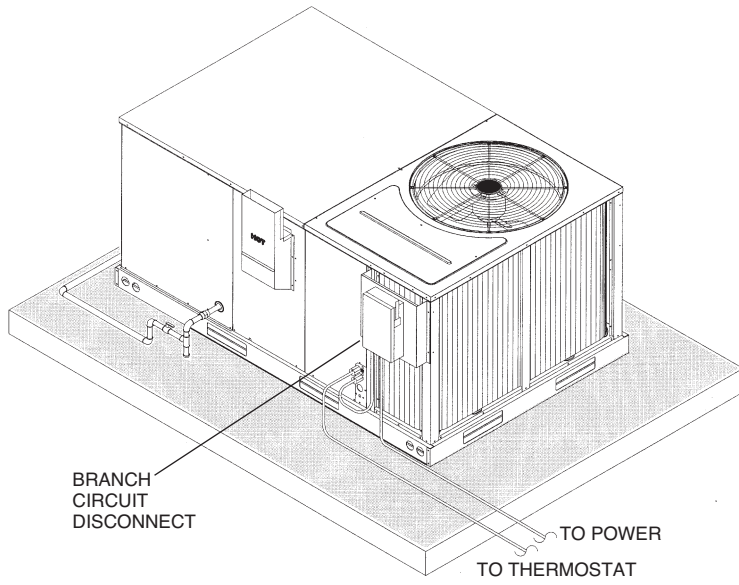
TURN OFF THE MAIN ELECTRICAL POWER AT THE BRANCH CIRCUIT DISCONNECT CLOSEST TO THE UNIT BEFORE ATTEMPTING ANY WIRING. FAILURE TO DO SO CAN CAUSE ELECTRICAL SHOCK RESULTING IN PERSONAL INJURY OR DEATH.

1. **All wiring should be made in accordance with the National Electrical Code.** Consult the local power company to determine the availability of sufficient power to operate the unit. Check the voltage at power supply to make sure it corresponds to the unit's RATED VOLTAGE REQUIREMENT. Install a branch circuit disconnect near the rooftop, in accordance with the N.E.C., C.E.C. or local codes. A bracket is provided with the unit for mounting of the disconnect. See Figure 17.
2. It is important that proper electrical power is available at the unit. Voltage should not vary more than 10% from that stamped on the unit nameplate. On three phase units, phases must be balanced within 3%.
3. For branch circuit wiring (main power supply to unit disconnect), the minimum wire size for the length of run can be determined from Table 3 using the circuit ampacity found on the unit rating plate. Use the smallest wire size allowable in Table 4 from the unit disconnect to unit.

NOTE: A bracket is provided with the unit for mounting the branch circuit disconnect to the unit. This is the recommended location for the disconnect. See Figure 17.

4. For through the base wiring entry reference **Figure 18**. All fittings and conduit are field supplied for this application. Reference the chart with **Figure 18** for proper hole and conduit size.

FIGURE 17
RECOMMENDED BRANCH CIRCUIT DISCONNECT LOCATION



I317A

TABLE 4
BRANCH CIRCUIT COPPER WIRE SIZE
(Based on 1% Voltage Drop)*

200	6	4	4	4	3	3	2	2
150	8	6	6	4	4	4	3	3
100	10	8	8	6	6	6	4	4
50	14	12	10	10	8	8	6	6
	15	20	25	30	35	40	45	50

BRANCH CIRCUIT AMPACITY
SUPPLY WIRE
LENGTH-FEET

*Taken from National Electric Code

NOTES:

1. Wire size based on 60°C rated wire insulation and 30°C Ambient Temp. (86°F).
2. For more than 3 conductors in a raceway or cable, see the N.E.C. for derating the ampacity of each conductor.

When installed, the unit must be electrically grounded in accordance with local codes or, in the absence of local codes, with the National Electrical Code, **ANSI/NFPA 70**, if an external electrical source is utilized.

IMPORTANT: THIS UNIT IS APPROVED FOR USE WITH COPPER CONDUCTORS ONLY CONNECTED TO UNIT CONTACTOR.

WARRANTY MAY BE JEOPARDIZED IF ALUMINUM WIRE IS CONNECTED TO UNIT CONTACTOR.

Special instructions apply for power wiring with aluminum conductors: Warranty is void if connections are not made per instructions.

Attach a length (6" or more) of recommended size copper wire to the unit contactor terminals L1 and L3 for single phase, L1, L2 and L3 for three phase.

Select the equivalent aluminum wire size from the tabulation below:

Splice copper wire pigtailed to aluminum wire with U.L. recognized connectors for copper-aluminum splices. Please exercise the following instructions very carefully to obtain a positive and lasting connection:

1. Strip insulation from aluminum conductor.
2. Coat the stripped end of the aluminum wire with the recommended inhibitor, and wire brush the aluminum surface through inhibitor. INHIBITORS: Brundy-Pentex "A"; Alcoa-No. 2EJC; T & B-KPOR Shield.
3. Clean and recoat aluminum conductor with inhibitor.
4. Make the splice using the above listed wire nuts or split bolt connectors.
5. Coat the entire connection with inhibitor and wrap with electrical insulating tape.

TABLE 5

AWG Copper Wire Size	AWG Aluminum Wire Size	Connector Type and Size (or equivalent)
#12	#10	T & B Wire Nut PT2
#10	# 8	T & B Wire Nut PT3
# 8	# 6	Sherman Split Bolt TSP6
# 6	# 4	Sherman Split Bolt TSP4
# 4	# 2	Sherman Split Bolt TSP2

FIGURE 18

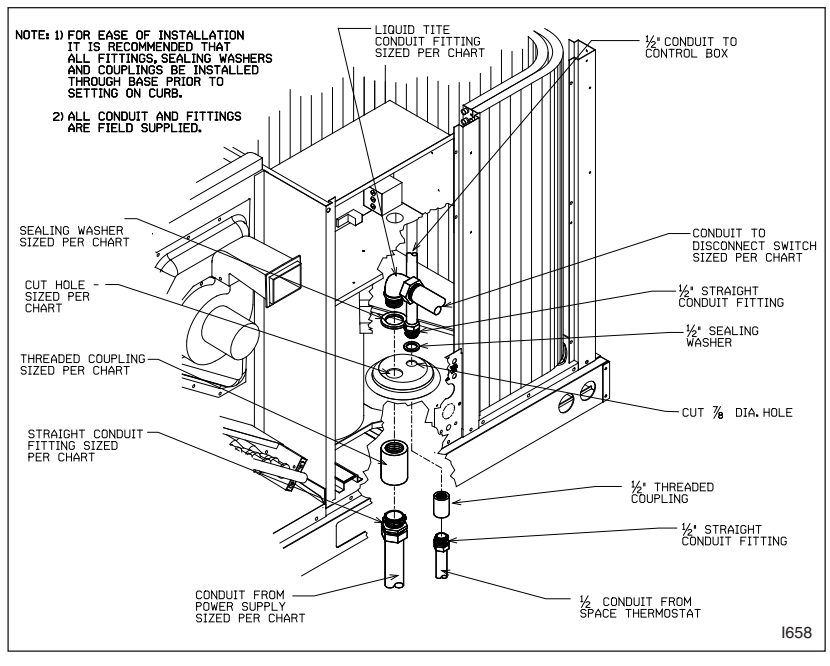
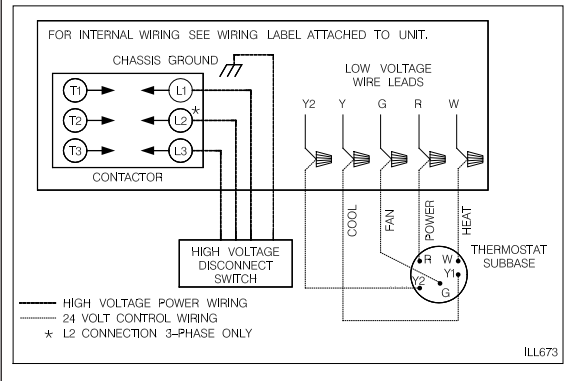


FIGURE 19
TYPICAL THERMOSTAT WIRING



	WIRE SIZE, AWG											
	14	12	10	8	6	4	3	2	1	0	00	000
CONDUIT SIZE	1/2"	1/2"	1/2"	3/4"	1"	1"	1-1/4"	1-1/4"	1-1/2"	1-1/2"	2"	2"
HOLE SIZE	7/8"	7/8"	7/8"	1-31/32"	1-23/64"	1-23/64"	1-23/32"	1-23/32"	1-31/32"	1-31/32"	2-15/32"	2-15/32"

- NOTES: 1. DETERMINE REQUIRED WIRE SIZE FROM MINIMUM CIRCUIT AMPACITY SHOWN IN INSTALLATION & OPERATING INSTRUCTION.
 2. BOTTOM POWER ENTRY WILL NOT ACCOMMODATE WIRE LARGER THAN #2 AWG (SHADED AREA).

B. HOOK-UP

To wire unit, refer to the following hook-up diagram.

Refer to Figures 3 and 18 for location of wiring entrances.

Wiring to be done in the field between the unit and devices not attached to the unit, or between separate devices which are field installed and located, shall conform with the temperature limitation for Type T wire [63°F rise (35°C)] when installed in accordance with the manufacturer's instructions.

C. INTERNAL WIRING

IMPORTANT: Some single phase units are equipped with a single pole contactor. Caution must be exercised when servicing as only one leg of the power supply is broken with the contactor.

Some models are equipped with electronically commutated blower motors which are constantly energized, unless the main unit disconnect is in the off position.

A diagram of the internal wiring of this unit is located under the electrical box cover and this manual. If any of the original wire as supplied with the appliance must be replaced, the wire gauge and insulation must be same as original wiring.

Transformer is factory wired for 230 volts on 208/230 volt models and must be changed for 208 volt applications. See unit wiring diagram for 208 volt wiring.

D. THERMOSTAT

The room thermostat must be compatible with the spark ignition control on the unit. Generally, all thermostats that are not of the "current robbing" type are compatible with the integrated furnace control. The low voltage wiring should be sized as shown in Table 6.

Install the room thermostat in accordance with the instruction sheet packed in the box with the thermostat. Run the thermostat lead wires inside the compressor access panel compartment and connect to low voltage terminals as shown on the wiring diagram. Never install the thermostat on an outside wall or where it will be influenced by drafts, concealed hot or cold water pipes or ducts, lighting fixtures, radiation from fireplace, sun

TABLE 6

FIELD WIRE SIZE FOR 24 VOLT THERMOSTAT CIRCUITS						
Thermostat Load - Amps	SOLID COPPER WIRE - AWG.					
	3.0	16	14	12	10	10
2.5	16	14	12	12	12	10
2.0	18	16	14	12	12	10
	50	100	150	200	250	300
	Length of Run – Feet (1)					

(1) The total wire length is the distance from the furnace to the thermostat and back to the furnace.

NOTE: DO NOT USE CONTROL WIRING SMALLER THAN NO. 18 AWG.

rays, lamps, televisions, radios or air streams from registers. Refer to instructions packed with the thermostat for “heater” selection or adjustment.

The following are the recommended thermostats available through the manufacturer to be used:

W/O Economizer	W/Economizer
(-)HC-TST101GESS	(-)HC-TST103UNMS
(-)HC-TST103UNMS	(-)HC-TST203UNMS
(-)HC-TST201GESS	(-)HC-TST302UNMS
(-)HC-TST203UNMS	(-)HC-TST303UNMS
(-)HC-TST301GESS	(-)HC-TST304UNMS
(-)HC-TST302UNMS	
(-)HC-TST303UNMS	
(-)HC-TST304UNMS	

X. FURNACE SECTION CONTROLS AND IGNITION SYSTEM

NORMAL FURNACE OPERATING SEQUENCE

This unit is equipped with an integrated direct spark ignition control.

1. The thermostat calls for heat.
2. The control board will run a self check to verify that the limit control and manual reset overtemperature control are closed and that the pressure switch is open.
3. Upon closure of the pressure switch, the control board energizes the induced draft blower for a 15 second prepurge.
4. After the 15 second prepurge, the gas valve opens and the spark is initiated for 7 second trial for ignition.
5. Burners ignite and flame sensor proves all burners have lit.
6. The circulating air blower is energized after 30 seconds.
7. The control board enters a normal operation loop in which all safety controls are monitored continuously.
8. Thermostat is satisfied and opens.
9. The gas valve is de-energized and closes, shutting down the burner flame.
10. The control board will de-energize the inducer after a five second post purge.
11. The circulating air blower is de-energized after 90 seconds.

The integrated control is a three ignition system.

After a total of three cycles without sensing main burner flame, the system goes into a 100% lockout mode. After one hour, the ignition control repeats the prepurge and ignition cycles for 3 tries and then go into 100% lockout mode again. It continues this sequence of cycles and lockout each hour until ignition is successful or power is interrupted. During the lockout mode, neither the ignitor or gas valve will be energized until the system is reset by turning the thermostat to the “OFF” position or interrupting the electrical power to the unit for 3 seconds or longer. The induced draft blower and main burner will shut off when the thermostat is satisfied.

The circulating air blower will start and run on the heating speed if the thermostat fan switch is in the “ON” position.

The integrated furnace control is equipped with diagnostic LED. The LED is lit continuously when there is power to the control, with or without a call for heat. If the LED is not lit, there

is either no power to the control or there is an internal component failure within the control, and the control should be replaced.

If the control detects the following failures, the LED will flash on for approximately 1/4 second, then off for 3/4 second for designated failure detections.

1 Flash: Failed to detect flame within the three tries for ignition.

2 Flash: Pressure switch or induced draft blower problem detected.

3 Flash: High limit or auxiliary limit open.

4 Flash: Flame sensed and gas valve not energized or flame sensed with no "W" signal.

5 Flash: Overtemperature switch open.

OPERATING INSTRUCTIONS

This appliance is equipped with integrated furnace control. This device lights the main burners each time the room thermostat (closes) calls for heat. See operating instructions on the back of the furnace/controls access panel.

WARNING

DO NOT ATTEMPT TO MANUALLY LIGHT THIS FURNACE WITH A MATCH OR ANY OPEN FLAME. ATTEMPTING TO DO SO CAN CAUSE AN EXPLOSION OR FIRE RESULTING IN PROPERTY DAMAGE, PERSONAL INJURY OR DEATH.

TO START THE FURNACE

1. STOP! Read the safety information on the Operating Instructions label located on this appliance.

WARNING

IF YOU DO NOT FOLLOW THESE INSTRUCTIONS EXACTLY, A FIRE OR EXPLOSION MAY RESULT CAUSING PROPERTY DAMAGE, PERSONAL INJURY OR LOSS OF LIFE.

2. Set the thermostat to its lowest setting.
3. Turn off all electric power to the appliance.
4. This appliance does not have a pilot. It is equipped with an ignition device which automatically lights the burner. Do **NOT** try to light the burner by hand.
5. Remove control door/access panel.
6. Move switch to the "OFF" position.
7. Wait five (5) minutes to clear out any gas. Then smell for gas, including near the floor. If you smell gas, STOP!
 - Do not try to light any appliance.
 - Do not touch any electric switch; do not use any phone in your building.
 - Immediately call your gas supplier from a neighbor's phone. Follow the gas supplier's instructions.
 - If you cannot reach your gas supplier, call the fire department.If you don't smell gas, go to the next step.
8. Move "OFF" position to "ON" position.
9. Replace the control door.
10. Turn on all electric power to the appliance.
11. Set the thermostat to the desired setting.
12. If the appliance will not operate, follow the instructions below on how to shut down the furnace.

WARNING

THE SPARK IGNITOR AND IGNITION LEAD FROM THE IGNITION CONTROL ARE HIGH VOLTAGE. KEEP HANDS OR TOOLS AWAY TO PREVENT ELECTRICAL SHOCK. SHUT OFF ELECTRICAL POWER BEFORE SERVICING ANY OF THE CONTROLS. FAILURE TO ADHERE TO THIS WARNING CAN RESULT IN PERSONAL INJURY OR DEATH.

The initial start-up on a new installation may require the control system to be energized for some time until air has bled through the system and fuel gas is available at the burners.

TO SHUT DOWN FURNACE

1. Set the thermostat to the lowest setting.
2. Turn off all electric power to the appliance if service is to be performed.
3. Remove control door.
4. Move switch to the "OFF" position.
5. Replace control door.

WARNING

SHOULD OVERHEATING OCCUR OR THE GAS SUPPLY FAIL TO SHUT OFF, SHUT OFF THE MANUAL GAS VALVE TO THE APPLIANCE BEFORE SHUTTING OFF THE ELECTRICAL SUPPLY. FAILURE TO DO SO CAN RESULT IN AN EXPLOSION OR FIRE CAUSING PROPERTY DAMAGE, SEVERE PERSONAL INJURY OR DEATH!

BURNERS

Burners for these units have been designed so that field adjustment is not required. Burners are tray-mounted and accessible for easy cleaning when required.

MANUAL RESET OVERTEMPERATURE CONTROL

Two manual reset overtemperature controls (one on 80,000 BTUH) are located on the burner shield. These devices sense blockage in the heat exchanger or insufficient combustion air. This shuts off the main burners if excessive temperatures occur in the burner compartment.

Operation of this control indicates an abnormal condition. Therefore, the unit should be examined by a qualified installer, service agency, or the gas supplier before being placed back into operation.

WARNING

DO NOT JUMPER THIS DEVICE! DO NOT reset the overtemperature control without taking corrective action to assure that an adequate supply of combustion air is maintained under all conditions of operation. Failure to do so can result in carbon monoxide poisoning or death. Replace this control only with the identical replacement part.

PRESSURE SWITCH

This furnace has a pressure switch for sensing a blocked exhaust or a failed induced draft blower. It is normally open and closes when the induced draft blower starts, indicating air flow through the combustion chamber.

LIMIT CONTROL

The supply air high temperature limit cut-off is set at the factory and cannot be adjusted. It is calibrated to prevent the air temperature leaving the furnace from exceeding the maximum outlet air temperature.

WARNING

DO NOT JUMPER THIS DEVICE! DOING SO CAN CAUSE A FIRE OR EXPLOSION RESULTING IN PROPERTY DAMAGE, PERSONAL INJURY OR DEATH.

IMPORTANT: *Replace this control only with the identical replacement part.*

XI. SYSTEM OPERATING INFORMATION

ADVISE THE CUSTOMER

1. Change the air filters regularly. The heating system operates better, more efficiently and more economically.
2. Arrange the furniture and drapes so that the supply air registers and the return air grilles are unobstructed.
3. Close doors and windows. This reduces the heating and cooling load on the system.
4. Avoid excessive use of exhaust fans.
5. Do not permit the heat generated by television, lamps or radios to influence the thermostat operation.
6. Except for the mounting platform, keep all combustible articles three feet from the unit and exhaust system.

7. **IMPORTANT:** Replace all blower doors and compartment cover after servicing the unit. Do not operate the unit without all panels and doors securely in place.
8. Do not allow snow or other debris to accumulate in the vicinity of the appliance.

FURNACE SECTION MAINTENANCE

The unit's furnace should operate for many years without excessive scale build-up in flue passageways; however, it is recommended that a qualified installer, service agency, or the gas supplier annually inspect the flue passageways, the exhaust system and the burners for continued safe operation, paying particular attention to deterioration from corrosion or other sources.

If during inspection the flue passageways and exhaust system are determined to require cleaning, the following procedures should be followed (**by a qualified installer, service agency, or gas supplier**):

1. Turn off the electrical power to the unit and set the thermostat to the lowest temperature.
2. Shut off the gas supply to the unit either at the meter or at manual valve in the supply piping.

WARNING

LABEL ALL WIRES PRIOR TO DISCONNECTION WHEN SERVICING CONTROLS. WIRING ERRORS CAN CAUSE IMPROPER AND DANGEROUS OPERATION RESULTING IN FIRE, ELECTRICAL SHOCK, PROPERTY DAMAGE, PERSONAL INJURY OR DEATH.

3. Remove the furnace controls access panel and the control box cover.
4. Disconnect the gas supply piping from the gas valve.
5. Disconnect the wiring to the induced draft blower motor, gas valve, flame sensor, and flame roll-out control, and ignitor cable. **Mark all wires disconnected for proper reconnection.**
6. Remove the screws (4) connecting the burner tray to the heat exchanger mounting panel.
7. Remove the burner tray and the manifold assembly from the unit.
8. Remove the screws (5) connecting the induced draft blower to the collector box and screws (18) connecting the collector box to the heat exchanger center panel. Remove the induced draft blower and the collector box from the unit.
9. Remove the screws (3) connecting the divider plate to the heat exchanger center panel.
10. Remove the turbulators from inside the heat exchangers by inserting the blade of a screwdriver under the locking tabs. Pop the tabs out of the expanded grooves of the heat exchanger. Slide the turbulators out of the heat exchangers.
11. Direct a water hose into the outlet of the heat exchanger top. Flush the inside of each heat exchanger tube with water. Blow out each tube with air to remove excessive moisture.
12. Reassemble (steps 1 through 10 in reverse order). **Be careful not to strip out the screw holes used to mount the collector box and inducer blower. Replace inducer blower gasket and collector box gasket with factory replacements if damaged.**

WARNING

HOLES IN THE EXHAUST TRANSITION OR HEAT EXCHANGER CAN CAUSE TOXIC FUMES TO ENTER THE HOME. THE EXHAUST TRANSITION OR HEAT EXCHANGER MUST BE REPLACED IF THEY HAVE HOLES OR CRACKS IN THEM. FAILURE TO DO SO CAN CAUSE CARBON MONOXIDE POISONING RESULTING IN PERSONAL INJURY OR DEATH.

The manufacturer recommends that a qualified installer, service agency or the gas supplier visually inspect the burner flames for the desired flame appearance at the beginning of the heating season and approximately midway in heating season.

The manufacturer also recommends that a qualified installer, service agency or the gas supplier clean the flame sensor with steel wool at the beginning of the heating season.

WARNING

DISCONNECT MAIN ELECTRICAL POWER TO THE UNIT BEFORE ATTEMPTING MAINTENANCE. FAILURE TO DO SO MAY RESULT IN ELECTRICAL SHOCK OR SEVERE PERSONAL INJURY OR DEATH.

LUBRICATION

IMPORTANT: DO NOT attempt to lubricate the bearings on the blower motor or the induced draft blower motor. Addition of lubricants can reduce the motor life and void the warranty.

The blower motor and induced draft blower motor are prelubricated by the manufacturer and do not require further attention.

A qualified installer, service agency or the gas supplier must periodically clean the motors to prevent the possibility of overheating due to an accumulation of dust and dirt on the windings or on the motor exterior. And, as suggested elsewhere in these instructions, the air filters should be kept clean because dirty filters can restrict air flow and the motor depends upon sufficient air flowing across and through it to prevent overheating.

COOLING SECTION MAINTENANCE

WARNING

DISCONNECT MAIN ELECTRICAL POWER TO THE UNIT BEFORE ATTEMPTING MAINTENANCE. FAILURE TO DO SO CAN CAUSE ELECTRICAL SHOCK RESULTING IN SEVERE PERSONAL INJURY OR DEATH.

It is recommended that at the beginning of each cooling season a qualified installer or service agency inspect and clean the cooling section of this unit. The following areas should be addressed: evaporator coil, condenser coil, condenser fan motor and venturi area.

To inspect the evaporator coil:

1. Remove the filter access panel and the blower/evaporator coil access panel. Remove the filters.

WARNING

LABEL ALL WIRES PRIOR TO DISCONNECTION WHEN SERVICING THE UNIT. WIRING ERRORS CAN CAUSE IMPROPER AND DANGEROUS OPERATION RESULTING IN FIRE, ELECTRICAL SHOCK, PROPERTY DAMAGE, SEVERE PERSONAL INJURY OR DEATH.

2. Shine a flashlight on the evaporator coil (both sides) and inspect for accumulation of lint, insulation, etc.
3. If coil requires cleaning, follow the steps shown below.

Cleaning Evaporator Coil

1. The coil should be cleaned when it is dry. If the coil is coated with dirt or lint, vacuum it with a soft brush attachment. Be careful not to bend the coil fins.
2. If the coil is coated with oil or grease, clean it with a mild detergent-and-water solution. Rinse the coil thoroughly with water. **IMPORTANT: Do not** use excessive water pressure. Excessive water pressure can bend the fins and tubing of the coil and lead to inadequate unit performance. Be careful not to splash water excessively into unit.
3. Inspect the drain pan and condensate drain at the same time the evaporator coil is checked. Clean the drain pan by flushing with water and removing any matters of obstructions which may be present.
4. Go to next section for cleaning the condenser coil.

Cleaning Condenser Coil, Condenser Fan, Circulation Air Blower and Venturi

1. Remove the compressor access panel. Disconnect the wires to the condenser fan motor in the control box (see wiring diagram). Remove the wires from the opening in the bottom of the control box.
2. Remove the screws securing the condenser top panel and remove the panel with condenser fan motor and grille attached.
3. The coil should be cleaned when it is dry. If the coil is coated with dirt or lint, vacuum it with a soft brush attachment. Be careful not to bend the coil fins.

4. If the coil is coated with oil or grease, clean it with a mild detergent-and-water solution. Rinse the coil thoroughly with water. **IMPORTANT: Do not** use excessive water pressure. Excessive water pressure can bend the fins and tubing of the coil and lead to inadequate unit performance. Be careful not to splash water excessively into unit.
5. The venturi should also be inspected for items of obstruction such as collections of grass, dirt or spider webs. Remove any that are present.
6. Inspect the circulating air blower wheel and motor for accumulation of lint, dirt or other obstruction and clean it necessary. Inspect the blower motor mounts and the blower housing for loose mounts or other damage. Repair or replace if necessary.

Re-assembly

1. Place the condenser top panel back on the unit and replace all screws.
2. Run the fan motor wires through the hole in the bottom of the control box. Reconnect fan motor wires per the wiring diagram attached to the back of the cover.
3. Replace the filter and blower/evaporator coil access panels.
4. Replace the control box cover and controls access panel.
5. Restore electrical power to the unit and check for proper operation, especially the condenser fan motor.

REPLACEMENT PARTS

Contact your local distributor for a complete parts list.

TROUBLESHOOTING

Refer to Troubleshooting Chart included in this manual.

WIRING DIAGRAMS

Refer to the appropriate wiring diagram included in this manual.

CHARGING

Refer to the appropriate charge chart included in this manual.

BLOWER MOTOR SPEED TAPS

After determining necessary CFM and speed tap data from the Airflow Performance Data, follow the steps below to change speeds.

1. Remove the blower access panel.
2. Reference Figure 20 for location of the speed tap block on the blower.
3. Remove the furnace control access panel.
4. Remove the control box cover. See Figure 21 for location of the integrated furnace control board.
5. Reference Figure 22 for the proper location of the red and black wires on the speed tap block and on the furnace integrated control board to obtain the speed tap you have chosen.
6. After adjusting the wires accordingly, attach the control box cover, furnace control access panel and the blower access panel to the unit.

SPEED TAP BLOCK

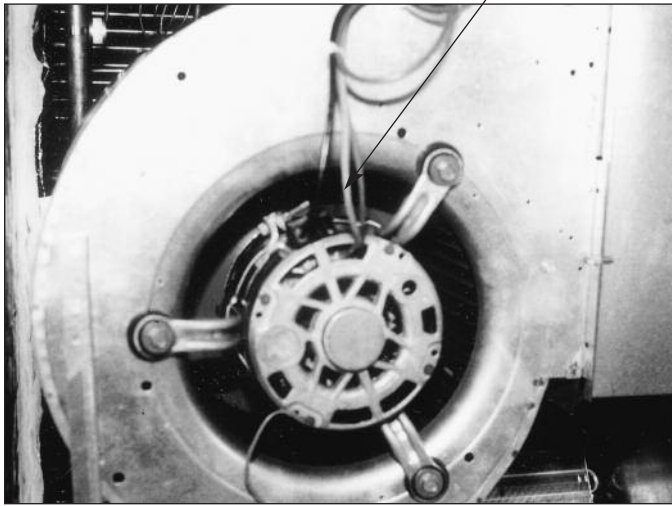
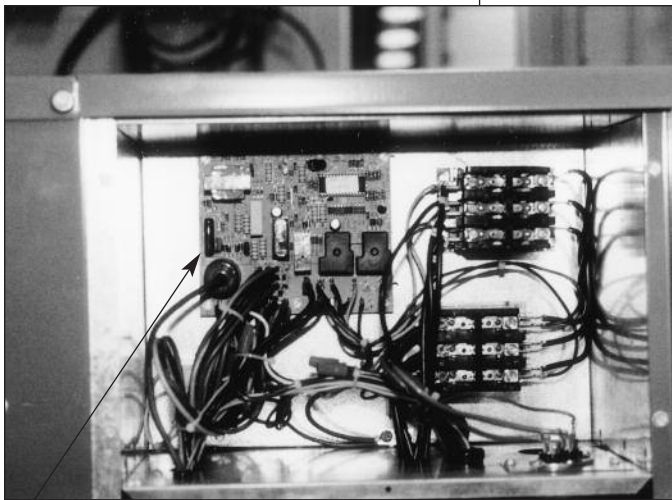


FIGURE 20

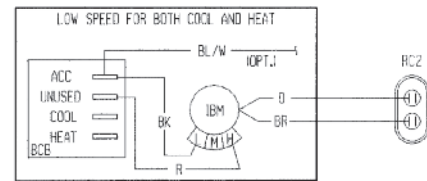


INTEGRATED FURNACE CONTROL

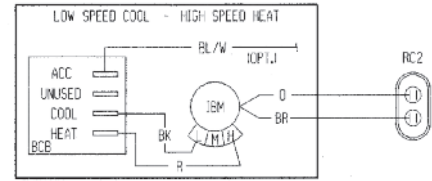
FIGURE 21

FIGURE 22

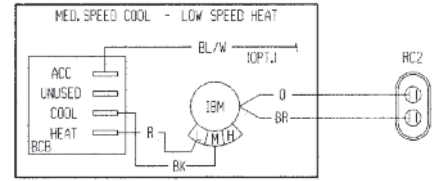
EXAMPLE 1



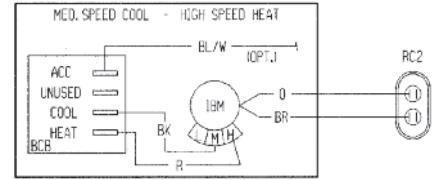
EXAMPLE 2



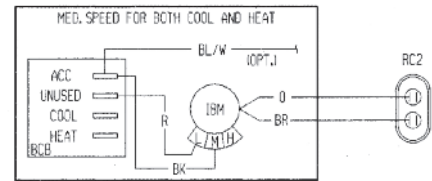
EXAMPLE 3



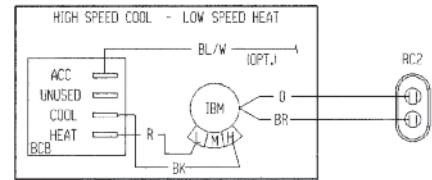
EXAMPLE 4



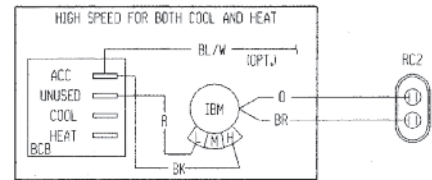
EXAMPLE 5



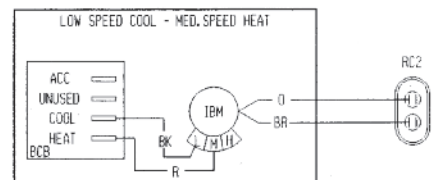
EXAMPLE 6



EXAMPLE 7



EXAMPLE 8



EXAMPLE 9

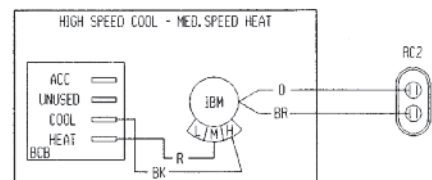
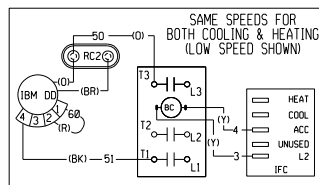
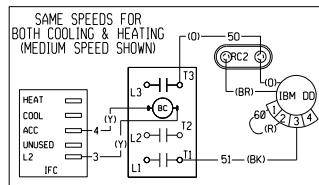


FIGURE 22 (Continued)

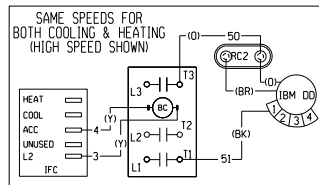
EXAMPLE 10



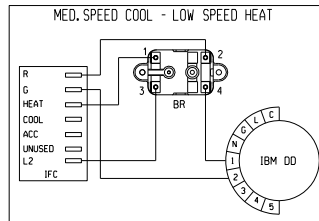
EXAMPLE 11



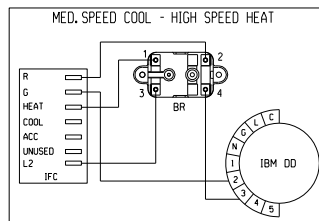
EXAMPLE 12



EXAMPLE 13



EXAMPLE 14



XII. GENERAL DATA - RKNL MODELS

NOMINAL SIZES 3-5 TONS [10.6-17.6 kW]

Model RKNL- Series	A036CK08	A036CK12	A036CL08	A036CL12
Cooling Performance¹				Continued ->
Gross Cooling Capacity Btu [kW]	36,800 [10.78]	36,800 [10.78]	36,800 [10.78]	36,800 [10.78]
EER/SEER ²	11.4/13	11.4/13	11.4/13	11.4/13
Nominal CFM/AHRI Rated CFM [L/s]	1200/1200 [566/566]	1200/1200 [566/566]	1200/1200 [566/566]	1200/1200 [566/566]
AHRI Net Cooling Capacity Btu [kW]	35,400 [10.37]	35,400 [10.37]	35,400 [10.37]	35,400 [10.37]
Net Sensible Capacity Btu [kW]	26,200 [7.68]	26,200 [7.68]	26,200 [7.68]	26,200 [7.68]
Net Latent Capacity Btu [kW]	9,200 [2.7]	9,200 [2.7]	9,200 [2.7]	9,200 [2.7]
Net System Power kW	3.1	3.1	3.1	3.1
Heating Performance (Gas)⁴				
Heating Input Btu [kW]	80,000 [23.44]	120,000 [35.16]	80,000 [23.44]	120,000 [35.16]
Heating Output Btu [kW]	64,800 [18.99]	97,200 [28.48]	64,800 [18.99]	97,200 [28.48]
Temperature Rise Range °F [°C]	30-60 [16.7/33.3]	50-80 [27.8/44.4]	30-60 [16.7/33.3]	50-80 [27.8/44.4]
AFUE %	80	80	80	80
Steady State Efficiency (%)	81	81	81	81
No. Burners	4	6	4	6
No. Stages	1	1	1	1
Gas Connection Pipe Size in. [mm]	0.5 [12.7]	0.5 [12.7]	0.5 [12.7]	0.5 [12.7]
Compressor				
No./Type	1/Scroll	1/Scroll	1/Scroll	1/Scroll
Outdoor Sound Rating (dB)⁵	78	78	78	78
Outdoor Coil - Fin Type	Louvered	Louvered	Louvered	Louvered
Tube Type	Rifled	Rifled	Rifled	Rifled
Tube Size in. [mm] OD	0.375 [9.5]	0.375 [9.5]	0.375 [9.5]	0.375 [9.5]
Face Area sq. ft. [sq. m]	16.91 [1.57]	16.91 [1.57]	16.91 [1.57]	16.91 [1.57]
Rows / FPI [FPcm]	1 / 22 [9]	1 / 22 [9]	1 / 22 [9]	1 / 22 [9]
Indoor Coil - Fin Type	Corrugated	Corrugated	Corrugated	Corrugated
Tube Type	Rifled	Rifled	Rifled	Rifled
Tube Size in. [mm]	0.375 [9.5]	0.375 [9.5]	0.375 [9.5]	0.375 [9.5]
Face Area sq. ft. [sq. m]	5.17 [0.48]	5.17 [0.48]	5.17 [0.48]	5.17 [0.48]
Rows / FPI [FPcm]	2 / 17 [7]	2 / 17 [7]	2 / 17 [7]	2 / 17 [7]
Refrigerant Control	TX Valves	TX Valves	TX Valves	TX Valves
Drain Connection No./Size in. [mm]	1/0.75 [19.05]	1/0.75 [19.05]	1/0.75 [19.05]	1/0.75 [19.05]
Outdoor Fan - Type	Propeller	Propeller	Propeller	Propeller
No. Used/Diameter in. [mm]	1/24 [609.6]	1/24 [609.6]	1/24 [609.6]	1/24 [609.6]
Drive Type/No. Speeds	Direct/1	Direct/1	Direct/1	Direct/1
CFM [L/s]	3680 [1737]	3680 [1737]	3680 [1737]	3680 [1737]
No. Motors/HP	1 at 1/3 HP	1 at 1/3 HP	1 at 1/3 HP	1 at 1/3 HP
Motor RPM	1075	1075	1075	1075
Indoor Fan - Type	FC Centrifugal	FC Centrifugal	FC Centrifugal	FC Centrifugal
No. Used/Diameter in. [mm]	1/10x10 [254x254]	1/10x10 [254x254]	1/10x10 [254x254]	1/10x10 [254x254]
Drive Type/No. Speeds	Direct/3	Direct/3	Belt/Variable	Belt/Variable
No. Motors	1	1	1	1
Motor HP	1/2	1/2	1/2	1/2
Motor RPM	1075	1075	1725	1725
Motor Frame Size	48	48	48	48
Filter - Type	Disposable	Disposable	Disposable	Disposable
Furnished	Yes	Yes	Yes	Yes
(NO.) Size Recommended in. [mm x mm x mm]	(1)1x16x25 [25x406x635]	(1)1x16x25 [25x406x635]	(1)1x16x25 [25x406x635]	(1)1x16x25 [25x406x635]
	(1)1x16x25 [25x406x635]	(1)1x16x25 [25x406x635]	(1)1x16x25 [25x406x635]	(1)1x16x25 [25x406x635]
Refrigerant Charge Oz. [g]	96 [2722]	96 [2722]	96 [2722]	96 [2722]
Weights				
Net Weight lbs. [kg]	543 [246]	543 [246]	543 [246]	543 [246]
Ship Weight lbs. [kg]	550 [249]	550 [249]	550 [249]	550 [249]

NOTES:

- Cooling Performance is rated at 95° F ambient, 80° F entering dry bulb, 67° F entering wet bulb. Gross capacity does not include the effect of fan motor heat. AHRI capacity is net and includes the effect of fan motor heat. Units are suitable for operation to ±20% of nominal cfm. Units are certified in accordance with the Unitary Air Conditioner Equipment certification program, which is based on AHRI Standard 210/240 or 360.
- EER and/or SEER are rated at AHRI conditions and in accordance with DOE test procedures.
- Heating Performance limit settings and rating data were established and approved under laboratory test conditions using American National Standard Institute standards. Ratings shown are for elevations up to 2000 feet. For elevations above 2000 feet, ratings should be reduced at the rate of 4% for each 1000 feet above sea level.
- Outdoor Sound Rating shown is tested in accordance with AHRI Standard 270.

GENERAL DATA - RKNL MODELS

NOMINAL SIZES 3-5 TONS [10.6-17.6 kW]

Model RKNL- Series	A036CM08	A036CM12	A036DK08	A036DK12
Cooling Performance¹				
Gross Cooling Capacity Btu [kW]	36,800 [10.78]	36,800 [10.78]	36,800 [10.78]	36,800 [10.78]
EER/SEER ²	11.4/13	11.4/13	11.4/13	11.4/13
Nominal CFM/AHRI Rated CFM [L/s]	1200/1200 [566/566]	1200/1200 [566/566]	1200/1200 [566/566]	1200/1200 [566/566]
AHRI Net Cooling Capacity Btu [kW]	35,400 [10.37]	35,400 [10.37]	35,400 [10.37]	35,400 [10.37]
Net Sensible Capacity Btu [kW]	26,200 [7.68]	26,200 [7.68]	26,200 [7.68]	26,200 [7.68]
Net Latent Capacity Btu [kW]	9,200 [2.7]	9,200 [2.7]	9,200 [2.7]	9,200 [2.7]
Net System Power kW	3.1	3.1	3.1	3.1
Heating Performance (Gas)⁴				
Heating Input Btu [kW]	80,000 [23.44]	120,000 [35.16]	80,000 [23.44]	120,000 [35.16]
Heating Output Btu [kW]	64,800 [18.99]	97,200 [28.48]	64,800 [18.99]	97,200 [28.48]
Temperature Rise Range °F [°C]	30-60 [16.7/33.3]	50-80 [27.8/44.4]	30-60 [16.7/33.3]	50-80 [27.8/44.4]
AFUE %	80	80	80	80
Steady State Efficiency (%)	81	81	81	81
No. Burners	4	6	4	6
No. Stages	1	1	1	1
Gas Connection Pipe Size in. [mm]	0.5 [12.7]	0.5 [12.7]	0.5 [12.7]	0.5 [12.7]
Compressor				
No./Type	1/Scroll	1/Scroll	1/Scroll	1/Scroll
Outdoor Sound Rating (dB)⁵				
	78	78	78	78
Outdoor Coil - Fin Type				
Tube Type	Louvered	Louvered	Louvered	Louvered
Tube Size in. [mm] OD	Rifled	Rifled	Rifled	Rifled
Face Area sq. ft. [sq. m]	0.375 [9.5]	0.375 [9.5]	0.375 [9.5]	0.375 [9.5]
Rows / FPI [FPcm]	16.91 [1.57]	16.91 [1.57]	16.91 [1.57]	16.91 [1.57]
	1 / 22 [9]	1 / 22 [9]	1 / 22 [9]	1 / 22 [9]
Indoor Coil - Fin Type				
Tube Type	Corrugated	Corrugated	Corrugated	Corrugated
Tube Size in. [mm]	Rifled	Rifled	Rifled	Rifled
Face Area sq. ft. [sq. m]	0.375 [9.5]	0.375 [9.5]	0.375 [9.5]	0.375 [9.5]
Rows / FPI [FPcm]	5.17 [0.48]	5.17 [0.48]	5.17 [0.48]	5.17 [0.48]
Refrigerant Control	2 / 17 [7]	2 / 17 [7]	2 / 17 [7]	2 / 17 [7]
Drain Connection No./Size in. [mm]	TX Valves	TX Valves	TX Valves	TX Valves
	1/0.75 [19.05]	1/0.75 [19.05]	1/0.75 [19.05]	1/0.75 [19.05]
Outdoor Fan - Type				
No. Used/Diameter in. [mm]	Propeller	Propeller	Propeller	Propeller
Drive Type/No. Speeds	1/24 [609.6]	1/24 [609.6]	1/24 [609.6]	1/24 [609.6]
CFM [L/s]	Direct/1	Direct/1	Direct/1	Direct/1
No. Motors/HP	3680 [1737]	3680 [1737]	3680 [1737]	3680 [1737]
Motor RPM	1 at 1/3 HP	1 at 1/3 HP	1 at 1/3 HP	1 at 1/3 HP
	1075	1075	1075	1075
Indoor Fan - Type				
No. Used/Diameter in. [mm]	FC Centrifugal	FC Centrifugal	FC Centrifugal	FC Centrifugal
Drive Type/No. Speeds	1/10x10 [254x254]	1/10x10 [254x254]	1/10x10 [254x254]	1/10x10 [254x254]
No. Motors	Belt/Variable	Belt/Variable	Direct/3	Direct/3
Motor HP	1	1	1	1
Motor RPM	1/2	1/2	1/2	1/2
Motor Frame Size	1725	1725	1075	1075
	48	48	48	48
Filter - Type				
Furnished	Disposable	Disposable	Disposable	Disposable
(NO.) Size Recommended in. [mm x mm x mm]	Yes	Yes	Yes	Yes
	(1)1x16x25 [25x406x635]	(1)1x16x25 [25x406x635]	(1)1x16x25 [25x406x635]	(1)1x16x25 [25x406x635]
	(1)1x16x25 [25x406x635]	(1)1x16x25 [25x406x635]	(1)1x16x25 [25x406x635]	(1)1x16x25 [25x406x635]
Refrigerant Charge Oz. [g]				
	96 [2722]	96 [2722]	96 [2722]	96 [2722]
Weights				
Net Weight lbs. [kg]	543 [246]	543 [246]	543 [246]	543 [246]
Ship Weight lbs. [kg]	550 [249]	550 [249]	550 [249]	550 [249]

- NOTES:**
- Cooling Performance is rated at 95° F ambient, 80° F entering dry bulb, 67° F entering wet bulb. Gross capacity does not include the effect of fan motor heat. AHRI capacity is net and includes the effect of fan motor heat. Units are suitable for operation to ±20% of nominal cfm. Units are certified in accordance with the Unitary Air Conditioner Equipment certification program, which is based on AHRI Standard 210/240 or 360.
 - EER and/or SEER are rated at AHRI conditions and in accordance with DOE test procedures.
 - Heating Performance limit settings and rating data were established and approved under laboratory test conditions using American National Standard Institute standards. Ratings shown are for elevations up to 2000 feet. For elevations above 2000 feet, ratings should be reduced at the rate of 4% for each 1000 feet above sea level.
 - Outdoor Sound Rating shown is tested in accordance with AHRI Standard 270.

GENERAL DATA - RKNL MODELS

NOMINAL SIZES 3-5 TONS [10.6-17.6 kW]

Model RKNL- Series	A036DL08	A036DL12	A036DM08	A036DM12
Cooling Performance¹				Continued ->
Gross Cooling Capacity Btu [kW]	36,800 [10.78]	36,800 [10.78]	36,800 [10.78]	36,800 [10.78]
EER/SEER ²	11.4/13	11.4/13	11.4/13	11.4/13
Nominal CFM/AHRI Rated CFM [L/s]	1200/1200 [566/566]	1200/1200 [566/566]	1200/1200 [566/566]	1200/1200 [566/566]
AHRI Net Cooling Capacity Btu [kW]	35,400 [10.37]	35,400 [10.37]	35,400 [10.37]	35,400 [10.37]
Net Sensible Capacity Btu [kW]	26,200 [7.68]	26,200 [7.68]	26,200 [7.68]	26,200 [7.68]
Net Latent Capacity Btu [kW]	9,200 [2.7]	9,200 [2.7]	9,200 [2.7]	9,200 [2.7]
Net System Power kW	3.1	3.1	3.1	3.1
Heating Performance (Gas)⁴				
Heating Input Btu [kW]	80,000 [23.44]	120,000 [35.16]	80,000 [23.44]	120,000 [35.16]
Heating Output Btu [kW]	64,800 [18.99]	97,200 [28.48]	64,800 [18.99]	97,200 [28.48]
Temperature Rise Range °F [°C]	30-60 [16.7/33.3]	50-80 [27.8/44.4]	30-60 [16.7/33.3]	50-80 [27.8/44.4]
AFUE %	80	80	80	80
Steady State Efficiency (%)	81	81	81	81
No. Burners	4	6	4	6
No. Stages	1	1	1	1
Gas Connection Pipe Size in. [mm]	0.5 [12.7]	0.5 [12.7]	0.5 [12.7]	0.5 [12.7]
Compressor				
No./Type	1/Scroll	1/Scroll	1/Scroll	1/Scroll
Outdoor Sound Rating (dB)⁵	78	78	78	78
Outdoor Coil - Fin Type	Louvered	Louvered	Louvered	Louvered
Tube Type	Rifled	Rifled	Rifled	Rifled
Tube Size in. [mm] OD	0.375 [9.5]	0.375 [9.5]	0.375 [9.5]	0.375 [9.5]
Face Area sq. ft. [sq. m]	16.91 [1.57]	16.91 [1.57]	16.91 [1.57]	16.91 [1.57]
Rows / FPI [FPcm]	1 / 22 [9]	1 / 22 [9]	1 / 22 [9]	1 / 22 [9]
Indoor Coil - Fin Type	Corrugated	Corrugated	Corrugated	Corrugated
Tube Type	Rifled	Rifled	Rifled	Rifled
Tube Size in. [mm]	0.375 [9.5]	0.375 [9.5]	0.375 [9.5]	0.375 [9.5]
Face Area sq. ft. [sq. m]	5.17 [0.48]	5.17 [0.48]	5.17 [0.48]	5.17 [0.48]
Rows / FPI [FPcm]	2 / 17 [7]	2 / 17 [7]	2 / 17 [7]	2 / 17 [7]
Refrigerant Control	TX Valves	TX Valves	TX Valves	TX Valves
Drain Connection No./Size in. [mm]	1/0.75 [19.05]	1/0.75 [19.05]	1/0.75 [19.05]	1/0.75 [19.05]
Outdoor Fan - Type	Propeller	Propeller	Propeller	Propeller
No. Used/Diameter in. [mm]	1/24 [609.6]	1/24 [609.6]	1/24 [609.6]	1/24 [609.6]
Drive Type/No. Speeds	Direct/1	Direct/1	Direct/1	Direct/1
CFM [L/s]	3680 [1737]	3680 [1737]	3680 [1737]	3680 [1737]
No. Motors/HP	1 at 1/3 HP	1 at 1/3 HP	1 at 1/3 HP	1 at 1/3 HP
Motor RPM	1075	1075	1075	1075
Indoor Fan - Type	FC Centrifugal	FC Centrifugal	FC Centrifugal	FC Centrifugal
No. Used/Diameter in. [mm]	1/10x10 [254x254]	1/10x10 [254x254]	1/10x10 [254x254]	1/10x10 [254x254]
Drive Type/No. Speeds	Belt/Variable	Belt/Variable	Belt/Variable	Belt/Variable
No. Motors	1	1	1	1
Motor HP	1/2	1/2	1/2	1/2
Motor RPM	1725	1725	1725	1725
Motor Frame Size	48	48	48	48
Filter - Type	Disposable	Disposable	Disposable	Disposable
Furnished	Yes	Yes	Yes	Yes
(NO.) Size Recommended in. [mm x mm x mm]	(1)1x16x25 [25x406x635]	(1)1x16x25 [25x406x635]	(1)1x16x25 [25x406x635]	(1)1x16x25 [25x406x635]
	(1)1x16x25 [25x406x635]	(1)1x16x25 [25x406x635]	(1)1x16x25 [25x406x635]	(1)1x16x25 [25x406x635]
Refrigerant Charge Oz. [g]	96 [2722]	96 [2722]	96 [2722]	96 [2722]
Weights				
Net Weight lbs. [kg]	543 [246]	543 [246]	543 [246]	543 [246]
Ship Weight lbs. [kg]	550 [249]	550 [249]	550 [249]	550 [249]

NOTES:

- Cooling Performance is rated at 95° F ambient, 80° F entering dry bulb, 67° F entering wet bulb. Gross capacity does not include the effect of fan motor heat. AHRI capacity is net and includes the effect of fan motor heat. Units are suitable for operation to ±20% of nominal cfm. Units are certified in accordance with the Unitary Air Conditioner Equipment certification program, which is based on AHRI Standard 210/240 or 360.
- EER and/or SEER are rated at AHRI conditions and in accordance with DOE test procedures.
- Heating Performance limit settings and rating data were established and approved under laboratory test conditions using American National Standard Institute standards. Ratings shown are for elevations up to 2000 feet. For elevations above 2000 feet, ratings should be reduced at the rate of 4% for each 1000 feet above sea level.
- Outdoor Sound Rating shown is tested in accordance with AHRI Standard 270.

GENERAL DATA - RKNL MODELS

NOMINAL SIZES 3-5 TONS [10.6-17.6 kW]

Model RKNL- Series	A036JK08(E/X)	A036JK12(E/X)	A036YL08	A036YL12
Cooling Performance¹				Continued ->
Gross Cooling Capacity Btu [kW]	36,800 [10.78]	36,800 [10.78]	36,800 [10.78]	36,800 [10.78]
EER/SEER ²	11.4/13	11.4/13	11.4/13	11.4/13
Nominal CFM/AHRI Rated CFM [L/s]	1200/1200 [566/566]	1200/1200 [566/566]	1200/1200 [566/566]	1200/1200 [566/566]
AHRI Net Cooling Capacity Btu [kW]	35,400 [10.37]	35,400 [10.37]	35,400 [10.37]	35,400 [10.37]
Net Sensible Capacity Btu [kW]	26,200 [7.68]	26,200 [7.68]	26,200 [7.68]	26,200 [7.68]
Net Latent Capacity Btu [kW]	9,200 [2.7]	9,200 [2.7]	9,200 [2.7]	9,200 [2.7]
Net System Power kW	3.1	3.1	3.1	3.1
Heating Performance (Gas)⁴				
Heating Input Btu [kW]	80,000 [23.44]	120,000 [35.16]	80,000 [23.44]	120,000 [35.16]
Heating Output Btu [kW]	62,500 [18.31]	94,500 [27.69]	64,800 [18.99]	97,200 [28.48]
Temperature Rise Range °F [°C]	30-60 [16.7/33.3]	50-80 [27.8/44.4]	30-60 [16.7/33.3]	50-80 [27.8/44.4]
AFUE %	80	80	80	80
Steady State Efficiency (%)	81	81	81	81
No. Burners	4	6	4	6
No. Stages	1	1	1	1
Gas Connection Pipe Size in. [mm]	0.5 [12.7]	0.5 [12.7]	0.5 [12.7]	0.5 [12.7]
Compressor				
No./Type	1/Scroll	1/Scroll	1/Scroll	1/Scroll
Outdoor Sound Rating (dB)⁵				
	78	78	78	78
Outdoor Coil - Fin Type				
Tube Type	Louvered	Louvered	Louvered	Louvered
Tube Size in. [mm] OD	Rifled	Rifled	Rifled	Rifled
Face Area sq. ft. [sq. m]	0.375 [9.5]	0.375 [9.5]	0.375 [9.5]	0.375 [9.5]
Rows / FPI [FPcm]	16.91 [1.57]	16.91 [1.57]	16.91 [1.57]	16.91 [1.57]
	1 / 22 [9]	1 / 22 [9]	1 / 22 [9]	1 / 22 [9]
Indoor Coil - Fin Type				
Tube Type	Corrugated	Corrugated	Corrugated	Corrugated
Tube Size in. [mm]	Rifled	Rifled	Rifled	Rifled
Face Area sq. ft. [sq. m]	0.375 [9.5]	0.375 [9.5]	0.375 [9.5]	0.375 [9.5]
Rows / FPI [FPcm]	5.17 [0.48]	5.17 [0.48]	5.17 [0.48]	5.17 [0.48]
Refrigerant Control	2 / 17 [7]	2 / 17 [7]	2 / 17 [7]	2 / 17 [7]
Drain Connection No./Size in. [mm]	TX Valves	TX Valves	TX Valves	TX Valves
	1/0.75 [19.05]	1/0.75 [19.05]	1/0.75 [19.05]	1/0.75 [19.05]
Outdoor Fan - Type				
No. Used/Diameter in. [mm]	Propeller	Propeller	Propeller	Propeller
Drive Type/No. Speeds	1/24 [609.6]	1/24 [609.6]	1/24 [609.6]	1/24 [609.6]
CFM [L/s]	Direct/1	Direct/1	Direct/1	Direct/1
No. Motors/HP	3680 [1737]	3680 [1737]	3680 [1737]	3680 [1737]
Motor RPM	1 at 1/3 HP	1 at 1/3 HP	1 at 1/3 HP	1 at 1/3 HP
	1075	1075	1075	1075
Indoor Fan - Type				
No. Used/Diameter in. [mm]	FC Centrifugal	FC Centrifugal	FC Centrifugal	FC Centrifugal
Drive Type/No. Speeds	1/10x10 [254x254]	1/10x10 [254x254]	1/10x10 [254x254]	1/10x10 [254x254]
No. Motors	Direct/3	Direct/3	Belt/Variable	Belt/Variable
Motor HP	1	1	1	1
Motor RPM	1/2	1/2	3/4	3/4
Motor Frame Size	1075	1075	1725	1725
	48	48	56	56
Filter - Type				
Furnished	Disposable	Disposable	Disposable	Disposable
(NO.) Size Recommended in. [mm x mm x mm]	Yes	Yes	Yes	Yes
	(1)1x16x25 [25x406x635]	(1)1x16x25 [25x406x635]	(1)1x16x25 [25x406x635]	(1)1x16x25 [25x406x635]
	(1)1x16x25 [25x406x635]	(1)1x16x25 [25x406x635]	(1)1x16x25 [25x406x635]	(1)1x16x25 [25x406x635]
Refrigerant Charge Oz. [g]				
	96 [2722]	96 [2722]	96 [2722]	96 [2722]
Weights				
Net Weight lbs. [kg]	543 [246]	543 [246]	543 [246]	543 [246]
Ship Weight lbs. [kg]	550 [249]	550 [249]	550 [249]	550 [249]

- NOTES:**
- Cooling Performance is rated at 95° F ambient, 80° F entering dry bulb, 67° F entering wet bulb. Gross capacity does not include the effect of fan motor heat. AHRI capacity is net and includes the effect of fan motor heat. Units are suitable for operation to ±20% of nominal cfm. Units are certified in accordance with the Unitary Air Conditioner Equipment certification program, which is based on AHRI Standard 210/240 or 360.
 - EER and/or SEER are rated at AHRI conditions and in accordance with DOE test procedures.
 - Heating Performance limit settings and rating data were established and approved under laboratory test conditions using American National Standard Institute standards. Ratings shown are for elevations up to 2000 feet. For elevations above 2000 feet, ratings should be reduced at the rate of 4% for each 1000 feet above sea level.
 - Outdoor Sound Rating shown is tested in accordance with AHRI Standard 270.

GENERAL DATA - RKNL MODELS

NOMINAL SIZES 3-5 TONS [10.6-17.6 kW]

Model RKNL- Series	A036YM08	A036YM12	A042CK08	A042CK12
Cooling Performance¹				Continued ->
Gross Cooling Capacity Btu [kW]	36,800 [10.78]	36,800 [10.78]	42,500 [12.45]	42,500 [12.45]
EER/SEER ²	11.4/13	11.4/13	11.2/13	11.2/13
Nominal CFM/AHRI Rated CFM [L/s]	1200/1200 [566/566]	1200/1200 [566/566]	1400/1450 [661/684]	1400/1450 [661/684]
AHRI Net Cooling Capacity Btu [kW]	35,400 [10.37]	35,400 [10.37]	40,500 [11.87]	40,500 [11.87]
Net Sensible Capacity Btu [kW]	26,200 [7.68]	26,200 [7.68]	30,600 [8.97]	30,600 [8.97]
Net Latent Capacity Btu [kW]	9,200 [2.7]	9,200 [2.7]	9,900 [2.9]	9,900 [2.9]
Net System Power kW	3.1	3.1	3.62	3.62
Heating Performance (Gas)⁴				
Heating Input Btu [kW]	80,000 [23.44]	120,000 [35.16]	80,000 [23.44]	120,000 [35.16]
Heating Output Btu [kW]	64,800 [18.99]	97,200 [28.48]	64,800 [18.99]	97,200 [28.48]
Temperature Rise Range °F [°C]	30-60 [16.7/33.3]	50-80 [27.8/44.4]	30-60 [16.7/33.3]	50-80 [27.8/44.4]
AFUE %	80	80	80	80
Steady State Efficiency (%)	81	81	81	81
No. Burners	4	6	4	6
No. Stages	1	1	1	1
Gas Connection Pipe Size in. [mm]	0.5 [12.7]	0.5 [12.7]	0.5 [12.7]	0.5 [12.7]
Compressor				
No./Type	1/Scroll	1/Scroll	1/Scroll	1/Scroll
Outdoor Sound Rating (dB)⁵	78	78	78	78
Outdoor Coil - Fin Type	Louvered	Louvered	Louvered	Louvered
Tube Type	Rifled	Rifled	Rifled	Rifled
Tube Size in. [mm] OD	0.375 [9.5]	0.375 [9.5]	0.375 [9.5]	0.375 [9.5]
Face Area sq. ft. [sq. m]	16.91 [1.57]	16.91 [1.57]	16.91 [1.57]	16.91 [1.57]
Rows / FPI [FPcm]	1 / 22 [9]	1 / 22 [9]	1.53 / 22 [9]	1.53 / 22 [9]
Indoor Coil - Fin Type	Corrugated	Corrugated	Corrugated	Corrugated
Tube Type	Rifled	Rifled	Rifled	Rifled
Tube Size in. [mm]	0.375 [9.5]	0.375 [9.5]	0.375 [9.5]	0.375 [9.5]
Face Area sq. ft. [sq. m]	5.17 [0.48]	5.17 [0.48]	5.17 [0.48]	5.17 [0.48]
Rows / FPI [FPcm]	2 / 17 [7]	2 / 17 [7]	3 / 13 [5]	3 / 13 [5]
Refrigerant Control	TX Valves	TX Valves	TX Valves	TX Valves
Drain Connection No./Size in. [mm]	1/0.75 [19.05]	1/0.75 [19.05]	1/0.75 [19.05]	1/0.75 [19.05]
Outdoor Fan - Type	Propeller	Propeller	Propeller	Propeller
No. Used/Diameter in. [mm]	1/24 [609.6]	1/24 [609.6]	1/24 [609.6]	1/24 [609.6]
Drive Type/No. Speeds	Direct/1	Direct/1	Direct/1	Direct/1
CFM [L/s]	3680 [1737]	3680 [1737]	3680 [1737]	3680 [1737]
No. Motors/HP	1 at 1/3 HP	1 at 1/3 HP	1 at 1/3 HP	1 at 1/3 HP
Motor RPM	1075	1075	1075	1075
Indoor Fan - Type	FC Centrifugal	FC Centrifugal	FC Centrifugal	FC Centrifugal
No. Used/Diameter in. [mm]	1/10x10 [254x254]	1/10x10 [254x254]	1/10x10 [254x254]	1/10x10 [254x254]
Drive Type/No. Speeds	Belt/Variable	Belt/Variable	Direct/3	Direct/3
No. Motors	1	1	1	1
Motor HP	3/4	3/4	1/2	1/2
Motor RPM	1725	1725	1075	1075
Motor Frame Size	56	56	48	48
Filter - Type	Disposable	Disposable	Disposable	Disposable
Furnished	Yes	Yes	Yes	Yes
(NO.) Size Recommended in. [mm x mm x mm]	(1)1x16x25 [25x406x635]	(1)1x16x25 [25x406x635]	(1)1x16x25 [25x406x635]	(1)1x16x25 [25x406x635]
Refrigerant Charge Oz. [g]	96 [2722]	96 [2722]	125 [3544]	125 [3544]
Weights				
Net Weight lbs. [kg]	543 [246]	543 [246]	570 [259]	579 [263]
Ship Weight lbs. [kg]	550 [249]	550 [249]	577 [262]	586 [266]

NOTES:

- Cooling Performance is rated at 95° F ambient, 80° F entering dry bulb, 67° F entering wet bulb. Gross capacity does not include the effect of fan motor heat. AHRI capacity is net and includes the effect of fan motor heat. Units are suitable for operation to ±20% of nominal cfm. Units are certified in accordance with the Unitary Air Conditioner Equipment certification program, which is based on AHRI Standard 210/240 or 360.
- EER and/or SEER are rated at AHRI conditions and in accordance with DOE test procedures.
- Heating Performance limit settings and rating data were established and approved under laboratory test conditions using American National Standard Institute standards. Ratings shown are for elevations up to 2000 feet. For elevations above 2000 feet, ratings should be reduced at the rate of 4% for each 1000 feet above sea level.
- Outdoor Sound Rating shown is tested in accordance with AHRI Standard 270.

GENERAL DATA - RKNL MODELS

NOMINAL SIZES 3-5 TONS [10.6-17.6 kW]

Model RKNL- Series	A042CL08	A042CL12	A042CM08	A042CM12
Cooling Performance¹				Continued ->
Gross Cooling Capacity Btu [kW]	42,500 [12.45]	42,500 [12.45]	42,500 [12.45]	42,500 [12.45]
EER/SEER ²	11.2/13	11.2/13	11.2/13	11.2/13
Nominal CFM/AHRI Rated CFM [L/s]	1400/1450 [661/684]	1400/1450 [661/684]	1400/1450 [661/684]	1400/1450 [661/684]
AHRI Net Cooling Capacity Btu [kW]	40,500 [11.87]	40,500 [11.87]	40,500 [11.87]	40,500 [11.87]
Net Sensible Capacity Btu [kW]	30,600 [8.97]	30,600 [8.97]	30,600 [8.97]	30,600 [8.97]
Net Latent Capacity Btu [kW]	9,900 [2.9]	9,900 [2.9]	9,900 [2.9]	9,900 [2.9]
Net System Power kW	3.62	3.62	3.62	3.62
Heating Performance (Gas)⁴				
Heating Input Btu [kW]	80,000 [23.44]	120,000 [35.16]	80,000 [23.44]	120,000 [35.16]
Heating Output Btu [kW]	64,800 [18.99]	97,200 [28.48]	64,800 [18.99]	97,200 [28.48]
Temperature Rise Range °F [°C]	30-60 [16.7/33.3]	50-80 [27.8/44.4]	30-60 [16.7/33.3]	50-80 [27.8/44.4]
AFUE %	80	80	80	80
Steady State Efficiency (%)	81	81	81	81
No. Burners	4	6	4	6
No. Stages	1	1	1	1
Gas Connection Pipe Size in. [mm]	0.5 [12.7]	0.5 [12.7]	0.5 [12.7]	0.5 [12.7]
Compressor				
No./Type	1/Scroll	1/Scroll	1/Scroll	1/Scroll
Outdoor Sound Rating (dB)⁵				
	78	78	78	78
Outdoor Coil - Fin Type				
Tube Type	Louvered	Louvered	Louvered	Louvered
Tube Size in. [mm] OD	Rifled	Rifled	Rifled	Rifled
Face Area sq. ft. [sq. m]	0.375 [9.5]	0.375 [9.5]	0.375 [9.5]	0.375 [9.5]
Rows / FPI [FPcm]	16.91 [1.57]	16.91 [1.57]	16.91 [1.57]	16.91 [1.57]
	1.53 / 22 [9]	1.53 / 22 [9]	1.53 / 22 [9]	1.53 / 22 [9]
Indoor Coil - Fin Type				
Tube Type	Corrugated	Corrugated	Corrugated	Corrugated
Tube Size in. [mm]	Rifled	Rifled	Rifled	Rifled
Face Area sq. ft. [sq. m]	0.375 [9.5]	0.375 [9.5]	0.375 [9.5]	0.375 [9.5]
Rows / FPI [FPcm]	5.17 [0.48]	5.17 [0.48]	5.17 [0.48]	5.17 [0.48]
Refrigerant Control	3 / 13 [5]	3 / 13 [5]	3 / 13 [5]	3 / 13 [5]
Drain Connection No./Size in. [mm]	TX Valves	TX Valves	TX Valves	TX Valves
	1/0.75 [19.05]	1/0.75 [19.05]	1/0.75 [19.05]	1/0.75 [19.05]
Outdoor Fan - Type				
No. Used/Diameter in. [mm]	Propeller	Propeller	Propeller	Propeller
Drive Type/No. Speeds	1/24 [609.6]	1/24 [609.6]	1/24 [609.6]	1/24 [609.6]
CFM [L/s]	Direct/1	Direct/1	Direct/1	Direct/1
No. Motors/HP	3680 [1737]	3680 [1737]	3680 [1737]	3680 [1737]
Motor RPM	1 at 1/3 HP	1 at 1/3 HP	1 at 1/3 HP	1 at 1/3 HP
	1075	1075	1075	1075
Indoor Fan - Type				
No. Used/Diameter in. [mm]	FC Centrifugal	FC Centrifugal	FC Centrifugal	FC Centrifugal
Drive Type/No. Speeds	1/10x10 [254x254]	1/10x10 [254x254]	1/10x10 [254x254]	1/10x10 [254x254]
No. Motors	Belt/Variable	Belt/Variable	Belt/Variable	Belt/Variable
Motor HP	1	1	1	1
Motor RPM	1/2	1/2	1/2	1/2
Motor Frame Size	1725	1725	1725	1725
	48	48	48	48
Filter - Type				
Furnished	Disposable	Disposable	Disposable	Disposable
(NO.) Size Recommended in. [mm x mm x mm]	Yes	Yes	Yes	Yes
	(1)1x16x25 [25x406x635]	(1)1x16x25 [25x406x635]	(1)1x16x25 [25x406x635]	(1)1x16x25 [25x406x635]
	(1)1x16x25 [25x406x635]	(1)1x16x25 [25x406x635]	(1)1x16x25 [25x406x635]	(1)1x16x25 [25x406x635]
Refrigerant Charge Oz. [g]				
	125 [3544]	125 [3544]	125 [3544]	125 [3544]
Weights				
Net Weight lbs. [kg]	570 [259]	579 [263]	570 [259]	570 [259]
Ship Weight lbs. [kg]	577 [262]	586 [266]	577 [262]	577 [262]

- NOTES:**
- Cooling Performance is rated at 95° F ambient, 80° F entering dry bulb, 67° F entering wet bulb. Gross capacity does not include the effect of fan motor heat. AHRI capacity is net and includes the effect of fan motor heat. Units are suitable for operation to ±20% of nominal cfm. Units are certified in accordance with the Unitary Air Conditioner Equipment certification program, which is based on AHRI Standard 210/240 or 360.
 - EER and/or SEER are rated at AHRI conditions and in accordance with DOE test procedures.
 - Heating Performance limit settings and rating data were established and approved under laboratory test conditions using American National Standard Institute standards. Ratings shown are for elevations up to 2000 feet. For elevations above 2000 feet, ratings should be reduced at the rate of 4% for each 1000 feet above sea level.
 - Outdoor Sound Rating shown is tested in accordance with AHRI Standard 270.

GENERAL DATA - RKNL MODELS

NOMINAL SIZES 3-5 TONS [10.6-17.6 kW]

Model RKNL- Series	A042DK08	A042DK12	A042DL08	A042DL12
Cooling Performance¹				
Gross Cooling Capacity Btu [kW]	42,500 [12.45]	42,500 [12.45]	42,500 [12.45]	42,500 [12.45]
EER/SEER ²	11.2/13	11.2/13	11.2/13	11.2/13
Nominal CFM/AHRI Rated CFM [L/s]	1400/1450 [661/684]	1400/1450 [661/684]	1400/1450 [661/684]	1400/1450 [661/684]
AHRI Net Cooling Capacity Btu [kW]	40,500 [11.87]	40,500 [11.87]	40,500 [11.87]	40,500 [11.87]
Net Sensible Capacity Btu [kW]	30,600 [8.97]	30,600 [8.97]	30,600 [8.97]	30,600 [8.97]
Net Latent Capacity Btu [kW]	9,900 [2.9]	9,900 [2.9]	9,900 [2.9]	9,900 [2.9]
Net System Power kW	3.62	3.62	3.62	3.62
Heating Performance (Gas)⁴				
Heating Input Btu [kW]	80,000 [23.44]	120,000 [35.16]	80,000 [23.44]	120,000 [35.16]
Heating Output Btu [kW]	64,800 [18.99]	97,200 [28.48]	64,800 [18.99]	97,200 [28.48]
Temperature Rise Range °F [°C]	30-60 [16.7/33.3]	50-80 [27.8/44.4]	30-60 [16.7/33.3]	50-80 [27.8/44.4]
AFUE %	80	80	80	80
Steady State Efficiency (%)	81	81	81	81
No. Burners	4	6	4	6
No. Stages	1	1	1	1
Gas Connection Pipe Size in. [mm]	0.5 [12.7]	0.5 [12.7]	0.5 [12.7]	0.5 [12.7]
Compressor				
No./Type	1/Scroll	1/Scroll	1/Scroll	1/Scroll
Outdoor Sound Rating (dB)⁵				
	78	78	78	78
Outdoor Coil - Fin Type				
Tube Type	Louvered	Louvered	Louvered	Louvered
Tube Size in. [mm] OD	Rifled	Rifled	Rifled	Rifled
Face Area sq. ft. [sq. m]	0.375 [9.5]	0.375 [9.5]	0.375 [9.5]	0.375 [9.5]
Rows / FPI [FPcm]	16.91 [1.57]	16.91 [1.57]	16.91 [1.57]	16.91 [1.57]
	1.53 / 22 [9]	1.53 / 22 [9]	1.53 / 22 [9]	1.53 / 22 [9]
Indoor Coil - Fin Type				
Tube Type	Corrugated	Corrugated	Corrugated	Corrugated
Tube Size in. [mm]	Rifled	Rifled	Rifled	Rifled
Face Area sq. ft. [sq. m]	0.375 [9.5]	0.375 [9.5]	0.375 [9.5]	0.375 [9.5]
Rows / FPI [FPcm]	5.17 [0.48]	5.17 [0.48]	5.17 [0.48]	5.17 [0.48]
	3 / 13 [5]	3 / 13 [5]	3 / 13 [5]	3 / 13 [5]
Refrigerant Control	TX Valves	TX Valves	TX Valves	TX Valves
Drain Connection No./Size in. [mm]	1/0.75 [19.05]	1/0.75 [19.05]	1/0.75 [19.05]	1/0.75 [19.05]
Outdoor Fan - Type				
No. Used/Diameter in. [mm]	Propeller	Propeller	Propeller	Propeller
Drive Type/No. Speeds	1/24 [609.6]	1/24 [609.6]	1/24 [609.6]	1/24 [609.6]
CFM [L/s]	Direct/1	Direct/1	Direct/1	Direct/1
No. Motors/HP	3680 [1737]	3680 [1737]	3680 [1737]	3680 [1737]
Motor RPM	1 at 1/3 HP	1 at 1/3 HP	1 at 1/3 HP	1 at 1/3 HP
	1075	1075	1075	1075
Indoor Fan - Type				
No. Used/Diameter in. [mm]	FC Centrifugal	FC Centrifugal	FC Centrifugal	FC Centrifugal
Drive Type/No. Speeds	1/10x10 [254x254]	1/10x10 [254x254]	1/10x10 [254x254]	1/10x10 [254x254]
No. Motors	Direct/3	Direct/3	Belt/Variable	Belt/Variable
Motor HP	1	1	1	1
Motor RPM	1/2	1/2	1/2	1/2
Motor Frame Size	1075	1075	1725	1725
	48	48	48	48
Filter - Type				
Furnished	Disposable	Disposable	Disposable	Disposable
(NO.) Size Recommended in. [mm x mm x mm]	Yes	Yes	Yes	Yes
	(1)1x16x25 [25x406x635]	(1)1x16x25 [25x406x635]	(1)1x16x25 [25x406x635]	(1)1x16x25 [25x406x635]
	(1)1x16x25 [25x406x635]	(1)1x16x25 [25x406x635]	(1)1x16x25 [25x406x635]	(1)1x16x25 [25x406x635]
Refrigerant Charge Oz. [g]				
	125 [3544]	125 [3544]	125 [3544]	125 [3544]
Weights				
Net Weight lbs. [kg]	570 [259]	579 [263]	570 [259]	570 [259]
Ship Weight lbs. [kg]	577 [262]	586 [266]	577 [262]	577 [262]

NOTES:

- Cooling Performance is rated at 95° F ambient, 80° F entering dry bulb, 67° F entering wet bulb. Gross capacity does not include the effect of fan motor heat. AHRI capacity is net and includes the effect of fan motor heat. Units are suitable for operation to ±20% of nominal cfm. Units are certified in accordance with the Unitary Air Conditioner Equipment certification program, which is based on AHRI Standard 210/240 or 360.
- EER and/or SEER are rated at AHRI conditions and in accordance with DOE test procedures.
- Heating Performance limit settings and rating data were established and approved under laboratory test conditions using American National Standard Institute standards. Ratings shown are for elevations up to 2000 feet. For elevations above 2000 feet, ratings should be reduced at the rate of 4% for each 1000 feet above sea level.
- Outdoor Sound Rating shown is tested in accordance with AHRI Standard 270.

GENERAL DATA - RKNL MODELS

NOMINAL SIZES 3-5 TONS [10.6-17.6 kW]

Model RKNL- Series	A042DM08	A042DM12	A042JK08(E/X)	A042JK12(E/X)
Cooling Performance¹				Continued ->
Gross Cooling Capacity Btu [kW]	42,500 [12.45]	42,500 [12.45]	42,500 [12.45]	42,500 [12.45]
EER/SEER ²	11.2/13	11.2/13	11.2/13	11.2/13
Nominal CFM/AHRI Rated CFM [L/s]	1400/1450 [661/684]	1400/1450 [661/684]	1400/1450 [661/684]	1400/1450 [661/684]
AHRI Net Cooling Capacity Btu [kW]	40,500 [11.87]	40,500 [11.87]	40,500 [11.87]	40,500 [11.87]
Net Sensible Capacity Btu [kW]	30,600 [8.97]	30,600 [8.97]	30,600 [8.97]	30,600 [8.97]
Net Latent Capacity Btu [kW]	9,900 [2.9]	9,900 [2.9]	9,900 [2.9]	9,900 [2.9]
Net System Power kW	3.62	3.62	3.62	3.62
Heating Performance (Gas)⁴				
Heating Input Btu [kW]	80,000 [23.44]	120,000 [35.16]	80,000 [23.44]	120,000 [35.16]
Heating Output Btu [kW]	64,800 [18.99]	97,200 [28.48]	62,500 [18.31]	94,500 [27.69]
Temperature Rise Range °F [°C]	30-60 [16.7/33.3]	50-80 [27.8/44.4]	30-60 [16.7/33.3]	50-80 [27.8/44.4]
AFUE %	80	80	80	80
Steady State Efficiency (%)	81	81	81	81
No. Burners	4	6	4	6
No. Stages	1	1	1	1
Gas Connection Pipe Size in. [mm]	0.5 [12.7]	0.5 [12.7]	0.5 [12.7]	0.5 [12.7]
Compressor				
No./Type	1/Scroll	1/Scroll	1/Scroll	1/Scroll
Outdoor Sound Rating (dB)⁵	78	78	78	78
Outdoor Coil - Fin Type	Louvered	Louvered	Louvered	Louvered
Tube Type	Rifled	Rifled	Rifled	Rifled
Tube Size in. [mm] OD	0.375 [9.5]	0.375 [9.5]	0.375 [9.5]	0.375 [9.5]
Face Area sq. ft. [sq. m]	16.91 [1.57]	16.91 [1.57]	16.91 [1.57]	16.91 [1.57]
Rows / FPI [FPcm]	1.53 / 22 [9]	1.53 / 22 [9]	1.53 / 22 [9]	1.53 / 22 [9]
Indoor Coil - Fin Type	Corrugated	Corrugated	Corrugated	Corrugated
Tube Type	Rifled	Rifled	Rifled	Rifled
Tube Size in. [mm]	0.375 [9.5]	0.375 [9.5]	0.375 [9.5]	0.375 [9.5]
Face Area sq. ft. [sq. m]	5.17 [0.48]	5.17 [0.48]	5.17 [0.48]	5.17 [0.48]
Rows / FPI [FPcm]	3 / 13 [5]	3 / 13 [5]	3 / 13 [5]	3 / 13 [5]
Refrigerant Control	TX Valves	TX Valves	TX Valves	TX Valves
Drain Connection No./Size in. [mm]	1/0.75 [19.05]	1/0.75 [19.05]	1/0.75 [19.05]	1/0.75 [19.05]
Outdoor Fan - Type	Propeller	Propeller	Propeller	Propeller
No. Used/Diameter in. [mm]	1/24 [609.6]	1/24 [609.6]	1/24 [609.6]	1/24 [609.6]
Drive Type/No. Speeds	Direct/1	Direct/1	Direct/1	Direct/1
CFM [L/s]	3680 [1737]	3680 [1737]	3680 [1737]	3680 [1737]
No. Motors/HP	1 at 1/3 HP	1 at 1/3 HP	1 at 1/3 HP	1 at 1/3 HP
Motor RPM	1075	1075	1075	1075
Indoor Fan - Type	FC Centrifugal	FC Centrifugal	FC Centrifugal	FC Centrifugal
No. Used/Diameter in. [mm]	1/10x10 [254x254]	1/10x10 [254x254]	1/10x10 [254x254]	1/10x10 [254x254]
Drive Type/No. Speeds	Belt/Variable	Belt/Variable	Direct/3	Direct/3
No. Motors	1	1	1	1
Motor HP	1/2	1/2	1/2	1/2
Motor RPM	1725	1725	1075	1075
Motor Frame Size	48	48	48	48
Filter - Type	Disposable	Disposable	Disposable	Disposable
Furnished	Yes	Yes	Yes	Yes
(NO.) Size Recommended in. [mm x mm x mm]	(1)1x16x25 [25x406x635]	(1)1x16x25 [25x406x635]	(1)1x16x25 [25x406x635]	(1)1x16x25 [25x406x635]
Refrigerant Charge Oz. [g]	125 [3544]	125 [3544]	125 [3544]	125 [3544]
Weights				
Net Weight lbs. [kg]	570 [259]	570 [259]	570 [259]	579 [263]
Ship Weight lbs. [kg]	577 [262]	577 [262]	577 [262]	586 [266]

NOTES:

- Cooling Performance is rated at 95° F ambient, 80° F entering dry bulb, 67° F entering wet bulb. Gross capacity does not include the effect of fan motor heat. AHRI capacity is net and includes the effect of fan motor heat. Units are suitable for operation to ±20% of nominal cfm. Units are certified in accordance with the Unitary Air Conditioner Equipment certification program, which is based on AHRI Standard 210/240 or 360.
- EER and/or SEER are rated at AHRI conditions and in accordance with DOE test procedures.
- Heating Performance limit settings and rating data were established and approved under laboratory test conditions using American National Standard Institute standards. Ratings shown are for elevations up to 2000 feet. For elevations above 2000 feet, ratings should be reduced at the rate of 4% for each 1000 feet above sea level.
- Outdoor Sound Rating shown is tested in accordance with AHRI Standard 270.

GENERAL DATA - RKNL MODELS

NOMINAL SIZES 3-5 TONS [10.6-17.6 kW]

Model RKNL- Series	A048CK08	A048CK10	A048CK13	A048CL08
Cooling Performance¹				Continued ->
Gross Cooling Capacity Btu [kW]	50,000 [14.65]	50,000 [14.65]	50,000 [14.65]	50,000 [14.65]
EER/SEER ²	11.45/13	11.45/13	11.45/13	11.45/13
Nominal CFM/AHRI Rated CFM [L/s]	1600/1600 [755/755]	1600/1600 [755/755]	1600/1600 [755/755]	1600/1600 [755/755]
AHRI Net Cooling Capacity Btu [kW]	48,000 [14.06]	48,000 [14.06]	48,000 [14.06]	48,000 [14.06]
Net Sensible Capacity Btu [kW]	35,600 [10.43]	35,600 [10.43]	35,600 [10.43]	35,600 [10.43]
Net Latent Capacity Btu [kW]	12,400 [3.63]	12,400 [3.63]	12,400 [3.63]	12,400 [3.63]
Net System Power kW	4.19	4.19	4.19	4.19
Heating Performance (Gas)⁴				
Heating Input Btu [kW]	80,000 [23.44]	100,000 [29.3]	135,000 [39.55]	80,000 [23.44]
Heating Output Btu [kW]	64,800 [18.99]	81,000 [23.73]	109,400 [32.05]	64,800 [18.99]
Temperature Rise Range °F [°C]	30-60 [16.7/33.3]	40-70 [22.2/38.9]	50-80 [27.8/44.4]	30-60 [16.7/33.3]
AFUE %	80	80	80	80
Steady State Efficiency (%)	81	81	81	81
No. Burners	4	5	6	4
No. Stages	1	1	1	1
Gas Connection Pipe Size in. [mm]	0.5 [12.7]	0.5 [12.7]	0.5 [12.7]	0.5 [12.7]
Compressor				
No./Type	1/Scroll	1/Scroll	1/Scroll	1/Scroll
Outdoor Sound Rating (dB)⁵	78	78	78	78
Outdoor Coil - Fin Type	Louvered	Louvered	Louvered	Louvered
Tube Type	Rifled	Rifled	Rifled	Rifled
Tube Size in. [mm] OD	0.375 [9.5]	0.375 [9.5]	0.375 [9.5]	0.375 [9.5]
Face Area sq. ft. [sq. m]	16.56 [1.54]	16.56 [1.54]	16.56 [1.54]	16.56 [1.54]
Rows / FPI [FPcm]	2 / 22 [9]	2 / 22 [9]	2 / 22 [9]	2 / 22 [9]
Indoor Coil - Fin Type	Corrugated	Corrugated	Corrugated	Corrugated
Tube Type	Rifled	Rifled	Rifled	Rifled
Tube Size in. [mm]	0.375 [9.5]	0.375 [9.5]	0.375 [9.5]	0.375 [9.5]
Face Area sq. ft. [sq. m]	5.17 [0.48]	5.17 [0.48]	5.17 [0.48]	5.17 [0.48]
Rows / FPI [FPcm]	3 / 15 [6]	3 / 15 [6]	3 / 15 [6]	3 / 15 [6]
Refrigerant Control	TX Valves	TX Valves	TX Valves	TX Valves
Drain Connection No./Size in. [mm]	1/0.75 [19.05]	1/0.75 [19.05]	1/0.75 [19.05]	1/0.75 [19.05]
Outdoor Fan - Type	Propeller	Propeller	Propeller	Propeller
No. Used/Diameter in. [mm]	1/24 [609.6]	1/24 [609.6]	1/24 [609.6]	1/24 [609.6]
Drive Type/No. Speeds	Direct/1	Direct/1	Direct/1	Direct/1
CFM [L/s]	3680 [1737]	3680 [1737]	3680 [1737]	3680 [1737]
No. Motors/HP	1 at 1/3 HP	1 at 1/3 HP	1 at 1/3 HP	1 at 1/3 HP
Motor RPM	1075	1075	1075	1075
Indoor Fan - Type	FC Centrifugal	FC Centrifugal	FC Centrifugal	FC Centrifugal
No. Used/Diameter in. [mm]	1/10x10 [254x254]	1/10x10 [254x254]	1/10x10 [254x254]	1/10x10 [254x254]
Drive Type/No. Speeds	Direct/3	Direct/3	Direct/3	Belt/Variable
No. Motors	1	1	1	1
Motor HP	1/2	1/2	1/2	1/2
Motor RPM	1075	1075	1075	1725
Motor Frame Size	48	48	48	48
Filter - Type	Disposable	Disposable	Disposable	Disposable
Furnished	Yes	Yes	Yes	Yes
(NO.) Size Recommended in. [mm x mm x mm]	(1)1x16x25 [25x406x635]	(1)1x16x25 [25x406x635]	(1)1x16x25 [25x406x635]	(1)1x16x25 [25x406x635]
	(1)1x16x25 [25x406x635]	(1)1x16x25 [25x406x635]	(1)1x16x25 [25x406x635]	(1)1x16x25 [25x406x635]
Refrigerant Charge Oz. [g]	165 [4678]	165 [4678]	165 [4678]	165 [4678]
Weights				
Net Weight lbs. [kg]	580 [263]	580 [263]	585 [265]	580 [263]
Ship Weight lbs. [kg]	587 [266]	587 [266]	592 [269]	587 [266]

NOTES:

- Cooling Performance is rated at 95° F ambient, 80° F entering dry bulb, 67° F entering wet bulb. Gross capacity does not include the effect of fan motor heat. AHRI capacity is net and includes the effect of fan motor heat. Units are suitable for operation to ±20% of nominal cfm. Units are certified in accordance with the Unitary Air Conditioner Equipment certification program, which is based on AHRI Standard 210/240 or 360.
- EER and/or SEER are rated at AHRI conditions and in accordance with DOE test procedures.
- Heating Performance limit settings and rating data were established and approved under laboratory test conditions using American National Standard Institute standards. Ratings shown are for elevations up to 2000 feet. For elevations above 2000 feet, ratings should be reduced at the rate of 4% for each 1000 feet above sea level.
- Outdoor Sound Rating shown is tested in accordance with AHRI Standard 270.

GENERAL DATA - RKNL MODELS

NOMINAL SIZES 3-5 TONS [10.6-17.6 kW]

Model RKNL- Series	A048CL10	A048CL13	A048CM08	A048CM10
Cooling Performance¹				Continued ->
Gross Cooling Capacity Btu [kW]	50,000 [14.65]	50,000 [14.65]	50,000 [14.65]	50,000 [14.65]
EER/SEER ²	11.45/13	11.45/13	11.45/13	11.45/13
Nominal CFM/AHRI Rated CFM [L/s]	1600/1600 [755/755]	1600/1600 [755/755]	1600/1600 [755/755]	1600/1600 [755/755]
AHRI Net Cooling Capacity Btu [kW]	48,000 [14.06]	48,000 [14.06]	48,000 [14.06]	48,000 [14.06]
Net Sensible Capacity Btu [kW]	35,600 [10.43]	35,600 [10.43]	35,600 [10.43]	35,600 [10.43]
Net Latent Capacity Btu [kW]	12,400 [3.63]	12,400 [3.63]	12,400 [3.63]	12,400 [3.63]
Net System Power kW	4.19	4.19	4.19	4.19
Heating Performance (Gas)⁴				
Heating Input Btu [kW]	100,000 [29.3]	135,000 [39.55]	80,000 [23.44]	100,000 [29.3]
Heating Output Btu [kW]	81,000 [23.73]	109,400 [32.05]	64,800 [18.99]	81,000 [23.73]
Temperature Rise Range °F [°C]	30-60 [16.7/33.3]	50-80 [27.8/44.4]	30-60 [16.7/33.3]	30-60 [16.7/33.3]
AFUE %	80	80	80	80
Steady State Efficiency (%)	81	81	81	81
No. Burners	5	6	4	5
No. Stages	1	1	1	1
Gas Connection Pipe Size in. [mm]	0.5 [12.7]	0.5 [12.7]	0.5 [12.7]	0.5 [12.7]
Compressor				
No./Type	1/Scroll	1/Scroll	1/Scroll	1/Scroll
Outdoor Sound Rating (dB)⁵	78	78	78	78
Outdoor Coil - Fin Type	Louvered	Louvered	Louvered	Louvered
Tube Type	Rifled	Rifled	Rifled	Rifled
Tube Size in. [mm] OD	0.375 [9.5]	0.375 [9.5]	0.375 [9.5]	0.375 [9.5]
Face Area sq. ft. [sq. m]	16.56 [1.54]	16.56 [1.54]	16.56 [1.54]	16.56 [1.54]
Rows / FPI [FPcm]	2 / 22 [9]	2 / 22 [9]	2 / 22 [9]	2 / 22 [9]
Indoor Coil - Fin Type	Corrugated	Corrugated	Corrugated	Corrugated
Tube Type	Rifled	Rifled	Rifled	Rifled
Tube Size in. [mm]	0.375 [9.5]	0.375 [9.5]	0.375 [9.5]	0.375 [9.5]
Face Area sq. ft. [sq. m]	5.17 [0.48]	5.17 [0.48]	5.17 [0.48]	5.17 [0.48]
Rows / FPI [FPcm]	3 / 15 [6]	3 / 15 [6]	3 / 15 [6]	3 / 15 [6]
Refrigerant Control	TX Valves	TX Valves	TX Valves	TX Valves
Drain Connection No./Size in. [mm]	1/0.75 [19.05]	1/0.75 [19.05]	1/0.75 [19.05]	1/0.75 [19.05]
Outdoor Fan - Type	Propeller	Propeller	Propeller	Propeller
No. Used/Diameter in. [mm]	1/24 [609.6]	1/24 [609.6]	1/24 [609.6]	1/24 [609.6]
Drive Type/No. Speeds	Direct/1	Direct/1	Direct/1	Direct/1
CFM [L/s]	3680 [1737]	3680 [1737]	3680 [1737]	3680 [1737]
No. Motors/HP	1 at 1/3 HP	1 at 1/3 HP	1 at 1/3 HP	1 at 1/3 HP
Motor RPM	1075	1075	1075	1075
Indoor Fan - Type	FC Centrifugal	FC Centrifugal	FC Centrifugal	FC Centrifugal
No. Used/Diameter in. [mm]	1/10x10 [254x254]	1/10x10 [254x254]	1/10x10 [254x254]	1/10x10 [254x254]
Drive Type/No. Speeds	Belt/Variable	Belt/Variable	Belt/Variable	Belt/Variable
No. Motors	1	1	1	1
Motor HP	1/2	1/2	3/4	3/4
Motor RPM	1725	1725	1725	1725
Motor Frame Size	48	48	56	56
Filter - Type	Disposable	Disposable	Disposable	Disposable
Furnished	Yes	Yes	Yes	Yes
(NO.) Size Recommended in. [mm x mm x mm]	(1)1x16x25 [25x406x635]	(1)1x16x25 [25x406x635]	(1)1x16x25 [25x406x635]	(1)1x16x25 [25x406x635]
Refrigerant Charge Oz. [g]	165 [4678]	165 [4678]	165 [4678]	165 [4678]
Weights				
Net Weight lbs. [kg]	580 [263]	585 [265]	580 [263]	580 [263]
Ship Weight lbs. [kg]	587 [266]	592 [269]	587 [266]	587 [266]

- NOTES:**
- Cooling Performance is rated at 95° F ambient, 80° F entering dry bulb, 67° F entering wet bulb. Gross capacity does not include the effect of fan motor heat. AHRI capacity is net and includes the effect of fan motor heat. Units are suitable for operation to ±20% of nominal cfm. Units are certified in accordance with the Unitary Air Conditioner Equipment certification program, which is based on AHRI Standard 210/240 or 360.
 - EER and/or SEER are rated at AHRI conditions and in accordance with DOE test procedures.
 - Heating Performance limit settings and rating data were established and approved under laboratory test conditions using American National Standard Institute standards. Ratings shown are for elevations up to 2000 feet. For elevations above 2000 feet, ratings should be reduced at the rate of 4% for each 1000 feet above sea level.
 - Outdoor Sound Rating shown is tested in accordance with AHRI Standard 270.

GENERAL DATA - RKNL MODELS

NOMINAL SIZES 3-5 TONS [10.6-17.6 kW]

Model RKNL- Series	A048CM13	A048DK08	A048DK10	A048DK13
Cooling Performance¹				Continued ->
Gross Cooling Capacity Btu [kW]	50,000 [14.65]	50,000 [14.65]	50,000 [14.65]	50,000 [14.65]
EER/SEER ²	11.45/13	11.45/13	11.45/13	11.45/13
Nominal CFM/AHRI Rated CFM [L/s]	1600/1600 [755/755]	1600/1600 [755/755]	1600/1600 [755/755]	1600/1600 [755/755]
AHRI Net Cooling Capacity Btu [kW]	48,000 [14.06]	48,000 [14.06]	48,000 [14.06]	48,000 [14.06]
Net Sensible Capacity Btu [kW]	35,600 [10.43]	35,600 [10.43]	35,600 [10.43]	35,600 [10.43]
Net Latent Capacity Btu [kW]	12,400 [3.63]	12,400 [3.63]	12,400 [3.63]	12,400 [3.63]
Net System Power kW	4.19	4.19	4.19	4.19
Heating Performance (Gas)⁴				
Heating Input Btu [kW]	135,000 [39.55]	80,000 [23.44]	100,000 [29.3]	135,000 [39.55]
Heating Output Btu [kW]	109,400 [32.05]	64,800 [18.99]	81,000 [23.73]	109,400 [32.05]
Temperature Rise Range °F [°C]	50-80 [27.8/44.4]	30-60 [16.7/33.3]	30-60 [16.7/33.3]	50-80 [27.8/44.4]
AFUE %	80	80	80	80
Steady State Efficiency (%)	81	81	81	81
No. Burners	6	4	5	6
No. Stages	1	1	1	1
Gas Connection Pipe Size in. [mm]	0.5 [12.7]	0.5 [12.7]	0.5 [12.7]	0.5 [12.7]
Compressor				
No./Type	1/Scroll	1/Scroll	1/Scroll	1/Scroll
Outdoor Sound Rating (dB)⁵				
	78	78	78	78
Outdoor Coil - Fin Type				
Tube Type	Louvered	Louvered	Louvered	Louvered
Tube Size in. [mm] OD	Rifled	Rifled	Rifled	Rifled
Face Area sq. ft. [sq. m]	0.375 [9.5]	0.375 [9.5]	0.375 [9.5]	0.375 [9.5]
Rows / FPI [FPcm]	16.56 [1.54]	16.56 [1.54]	16.56 [1.54]	16.56 [1.54]
	2 / 22 [9]	2 / 22 [9]	2 / 22 [9]	2 / 22 [9]
Indoor Coil - Fin Type				
Tube Type	Corrugated	Corrugated	Corrugated	Corrugated
Tube Size in. [mm]	Rifled	Rifled	Rifled	Rifled
Face Area sq. ft. [sq. m]	0.375 [9.5]	0.375 [9.5]	0.375 [9.5]	0.375 [9.5]
Rows / FPI [FPcm]	5.17 [0.48]	5.17 [0.48]	5.17 [0.48]	5.17 [0.48]
	3 / 15 [6]	3 / 15 [6]	3 / 15 [6]	3 / 15 [6]
Refrigerant Control	TX Valves	TX Valves	TX Valves	TX Valves
Drain Connection No./Size in. [mm]	1/0.75 [19.05]	1/0.75 [19.05]	1/0.75 [19.05]	1/0.75 [19.05]
Outdoor Fan - Type				
No. Used/Diameter in. [mm]	Propeller	Propeller	Propeller	Propeller
Drive Type/No. Speeds	1/24 [609.6]	1/24 [609.6]	1/24 [609.6]	1/24 [609.6]
CFM [L/s]	Direct/1	Direct/1	Direct/1	Direct/1
No. Motors/HP	3680 [1737]	3680 [1737]	3680 [1737]	3680 [1737]
Motor RPM	1 at 1/3 HP	1 at 1/3 HP	1 at 1/3 HP	1 at 1/3 HP
	1075	1075	1075	1075
Indoor Fan - Type				
No. Used/Diameter in. [mm]	FC Centrifugal	FC Centrifugal	FC Centrifugal	FC Centrifugal
Drive Type/No. Speeds	1/10x10 [254x254]	1/10x10 [254x254]	1/10x10 [254x254]	1/10x10 [254x254]
No. Motors	Belt/Variable	Direct/3	Direct/3	Direct/3
Motor HP	1	1	1	1
Motor RPM	3/4	1/2	1/2	1/2
Motor Frame Size	1725	1075	1075	1075
	56	48	48	48
Filter - Type				
Furnished	Disposable	Disposable	Disposable	Disposable
(NO.) Size Recommended in. [mm x mm x mm]	Yes	Yes	Yes	Yes
	(1)1x16x25 [25x406x635]	(1)1x16x25 [25x406x635]	(1)1x16x25 [25x406x635]	(1)1x16x25 [25x406x635]
	(1)1x16x25 [25x406x635]	(1)1x16x25 [25x406x635]	(1)1x16x25 [25x406x635]	(1)1x16x25 [25x406x635]
Refrigerant Charge Oz. [g]				
	165 [4678]	165 [4678]	165 [4678]	165 [4678]
Weights				
Net Weight lbs. [kg]	580 [263]	580 [263]	580 [263]	585 [265]
Ship Weight lbs. [kg]	587 [266]	587 [266]	587 [266]	592 [269]

NOTES:

- Cooling Performance is rated at 95° F ambient, 80° F entering dry bulb, 67° F entering wet bulb. Gross capacity does not include the effect of fan motor heat. AHRI capacity is net and includes the effect of fan motor heat. Units are suitable for operation to ±20% of nominal cfm. Units are certified in accordance with the Unitary Air Conditioner Equipment certification program, which is based on AHRI Standard 210/240 or 360.
- EER and/or SEER are rated at AHRI conditions and in accordance with DOE test procedures.
- Heating Performance limit settings and rating data were established and approved under laboratory test conditions using American National Standard Institute standards. Ratings shown are for elevations up to 2000 feet. For elevations above 2000 feet, ratings should be reduced at the rate of 4% for each 1000 feet above sea level.
- Outdoor Sound Rating shown is tested in accordance with AHRI Standard 270.

GENERAL DATA - RKNL MODELS

NOMINAL SIZES 3-5 TONS [10.6-17.6 kW]

Model RKNL- Series	A048DL08	A048DL10	A048DL13	A048DM08
Cooling Performance¹				Continued ->
Gross Cooling Capacity Btu [kW]	50,000 [14.65]	50,000 [14.65]	50,000 [14.65]	50,000 [14.65]
EER/SEER ²	11.45/13	11.45/13	11.45/13	11.45/13
Nominal CFM/AHRI Rated CFM [L/s]	1600/1600 [755/755]	1600/1600 [755/755]	1600/1600 [755/755]	1600/1600 [755/755]
AHRI Net Cooling Capacity Btu [kW]	48,000 [14.06]	48,000 [14.06]	48,000 [14.06]	48,000 [14.06]
Net Sensible Capacity Btu [kW]	35,600 [10.43]	35,600 [10.43]	35,600 [10.43]	35,600 [10.43]
Net Latent Capacity Btu [kW]	12,400 [3.63]	12,400 [3.63]	12,400 [3.63]	12,400 [3.63]
Net System Power kW	4.19	4.19	4.19	4.19
Heating Performance (Gas)⁴				
Heating Input Btu [kW]	80,000 [23.44]	100,000 [29.3]	135,000 [39.55]	80,000 [23.44]
Heating Output Btu [kW]	64,800 [18.99]	81,000 [23.73]	109,400 [32.05]	64,800 [18.99]
Temperature Rise Range °F [°C]	30-60 [16.7/33.3]	30-60 [16.7/33.3]	50-80 [27.8/44.4]	30-60 [16.7/33.3]
AFUE %	80	80	80	80
Steady State Efficiency (%)	81	81	81	81
No. Burners	4	5	6	4
No. Stages	1	1	1	1
Gas Connection Pipe Size in. [mm]	0.5 [12.7]	0.5 [12.7]	0.5 [12.7]	0.5 [12.7]
Compressor				
No./Type	1/Scroll	1/Scroll	1/Scroll	1/Scroll
Outdoor Sound Rating (dB)⁵				
	78	78	78	78
Outdoor Coil - Fin Type				
Tube Type	Rifled	Rifled	Rifled	Rifled
Tube Size in. [mm] OD	0.375 [9.5]	0.375 [9.5]	0.375 [9.5]	0.375 [9.5]
Face Area sq. ft. [sq. m]	16.56 [1.54]	16.56 [1.54]	16.56 [1.54]	16.56 [1.54]
Rows / FPI [FPcm]	2 / 22 [9]	2 / 22 [9]	2 / 22 [9]	2 / 22 [9]
Indoor Coil - Fin Type				
Tube Type	Rifled	Rifled	Rifled	Rifled
Tube Size in. [mm]	0.375 [9.5]	0.375 [9.5]	0.375 [9.5]	0.375 [9.5]
Face Area sq. ft. [sq. m]	5.17 [0.48]	5.17 [0.48]	5.17 [0.48]	5.17 [0.48]
Rows / FPI [FPcm]	3 / 15 [6]	3 / 15 [6]	3 / 15 [6]	3 / 15 [6]
Refrigerant Control	TX Valves	TX Valves	TX Valves	TX Valves
Drain Connection No./Size in. [mm]	1/0.75 [19.05]	1/0.75 [19.05]	1/0.75 [19.05]	1/0.75 [19.05]
Outdoor Fan - Type				
No. Used/Diameter in. [mm]	1/24 [609.6]	1/24 [609.6]	1/24 [609.6]	1/24 [609.6]
Drive Type/No. Speeds	Direct/1	Direct/1	Direct/1	Direct/1
CFM [L/s]	3680 [1737]	3680 [1737]	3680 [1737]	3680 [1737]
No. Motors/HP	1 at 1/3 HP	1 at 1/3 HP	1 at 1/3 HP	1 at 1/3 HP
Motor RPM	1075	1075	1075	1075
Indoor Fan - Type				
No. Used/Diameter in. [mm]	1/10x10 [254x254]	1/10x10 [254x254]	1/10x10 [254x254]	1/10x10 [254x254]
Drive Type/No. Speeds	Belt/Variable	Belt/Variable	Belt/Variable	Belt/Variable
No. Motors	1	1	1	1
Motor HP	1/2	1/2	1/2	3/4
Motor RPM	1725	1725	1725	1725
Motor Frame Size	48	48	48	56
Filter - Type				
Furnished	Yes	Yes	Yes	Yes
(NO.) Size Recommended in. [mm x mm x mm]	(1)1x16x25 [25x406x635]	(1)1x16x25 [25x406x635]	(1)1x16x25 [25x406x635]	(1)1x16x25 [25x406x635]
	(1)1x16x25 [25x406x635]	(1)1x16x25 [25x406x635]	(1)1x16x25 [25x406x635]	(1)1x16x25 [25x406x635]
Refrigerant Charge Oz. [g]				
	165 [4678]	165 [4678]	165 [4678]	165 [4678]
Weights				
Net Weight lbs. [kg]	580 [263]	580 [263]	585 [265]	580 [263]
Ship Weight lbs. [kg]	587 [266]	587 [266]	592 [269]	587 [266]

- NOTES:**
- Cooling Performance is rated at 95° F ambient, 80° F entering dry bulb, 67° F entering wet bulb. Gross capacity does not include the effect of fan motor heat. AHRI capacity is net and includes the effect of fan motor heat. Units are suitable for operation to ±20% of nominal cfm. Units are certified in accordance with the Unitary Air Conditioner Equipment certification program, which is based on AHRI Standard 210/240 or 360.
 - EER and/or SEER are rated at AHRI conditions and in accordance with DOE test procedures.
 - Heating Performance limit settings and rating data were established and approved under laboratory test conditions using American National Standard Institute standards. Ratings shown are for elevations up to 2000 feet. For elevations above 2000 feet, ratings should be reduced at the rate of 4% for each 1000 feet above sea level.
 - Outdoor Sound Rating shown is tested in accordance with AHRI Standard 270.

GENERAL DATA - RKNL MODELS

NOMINAL SIZES 3-5 TONS [10.6-17.6 kW]

Model RKNL- Series	A048DM10	A048DM13	A048JK08(E/X)	A048JK10(E/X)
Cooling Performance¹				Continued ->
Gross Cooling Capacity Btu [kW]	50,000 [14.65]	50,000 [14.65]	50,000 [14.65]	50,000 [14.65]
EER/SEER ²	11.45/13	11.45/13	11.45/13	11.45/13
Nominal CFM/AHRI Rated CFM [L/s]	1600/1600 [755/755]	1600/1600 [755/755]	1600/1600 [755/755]	1600/1600 [755/755]
AHRI Net Cooling Capacity Btu [kW]	48,000 [14.06]	48,000 [14.06]	48,000 [14.06]	48,000 [14.06]
Net Sensible Capacity Btu [kW]	35,600 [10.43]	35,600 [10.43]	35,600 [10.43]	35,600 [10.43]
Net Latent Capacity Btu [kW]	12,400 [3.63]	12,400 [3.63]	12,400 [3.63]	12,400 [3.63]
Net System Power kW	4.19	4.19	4.19	4.19
Heating Performance (Gas)⁴				
Heating Input Btu [kW]	100,000 [29.3]	135,000 [39.55]	80,000 [23.44]	100,000 [29.3]
Heating Output Btu [kW]	81,000 [23.73]	109,400 [32.05]	62,500 [18.31]	78,500 [23]
Temperature Rise Range °F [°C]	30-60 [16.7/33.3]	50-80 [27.8/44.4]	30-60 [16.7/33.3]	40-70 [22.2/38.9]
AFUE %	80	80	80	80
Steady State Efficiency (%)	81	81	81	81
No. Burners	5	6	4	5
No. Stages	1	1	1	1
Gas Connection Pipe Size in. [mm]	0.5 [12.7]	0.5 [12.7]	0.5 [12.7]	0.5 [12.7]
Compressor				
No./Type	1/Scroll	1/Scroll	1/Scroll	1/Scroll
Outdoor Sound Rating (dB)⁵				
	78	78	78	78
Outdoor Coil - Fin Type				
Tube Type	Louvered	Louvered	Louvered	Louvered
Tube Size in. [mm] OD	Rifled	Rifled	Rifled	Rifled
Face Area sq. ft. [sq. m]	0.375 [9.5]	0.375 [9.5]	0.375 [9.5]	0.375 [9.5]
Rows / FPI [FPcm]	16.56 [1.54]	16.56 [1.54]	16.56 [1.54]	16.56 [1.54]
	2 / 22 [9]	2 / 22 [9]	2 / 22 [9]	2 / 22 [9]
Indoor Coil - Fin Type				
Tube Type	Corrugated	Corrugated	Corrugated	Corrugated
Tube Size in. [mm]	Rifled	Rifled	Rifled	Rifled
Face Area sq. ft. [sq. m]	0.375 [9.5]	0.375 [9.5]	0.375 [9.5]	0.375 [9.5]
Rows / FPI [FPcm]	5.17 [0.48]	5.17 [0.48]	5.17 [0.48]	5.17 [0.48]
	3 / 15 [6]	3 / 15 [6]	3 / 15 [6]	3 / 15 [6]
Refrigerant Control	TX Valves	TX Valves	TX Valves	TX Valves
Drain Connection No./Size in. [mm]	1/0.75 [19.05]	1/0.75 [19.05]	1/0.75 [19.05]	1/0.75 [19.05]
Outdoor Fan - Type				
No. Used/Diameter in. [mm]	Propeller	Propeller	Propeller	Propeller
Drive Type/No. Speeds	1/24 [609.6]	1/24 [609.6]	1/24 [609.6]	1/24 [609.6]
CFM [L/s]	Direct/1	Direct/1	Direct/1	Direct/1
No. Motors/HP	3680 [1737]	3680 [1737]	3680 [1737]	3680 [1737]
Motor RPM	1 at 1/3 HP	1 at 1/3 HP	1 at 1/3 HP	1 at 1/3 HP
	1075	1075	1075	1075
Indoor Fan - Type				
No. Used/Diameter in. [mm]	FC Centrifugal	FC Centrifugal	FC Centrifugal	FC Centrifugal
Drive Type/No. Speeds	1/10x10 [254x254]	1/10x10 [254x254]	1/10x10 [254x254]	1/10x10 [254x254]
No. Motors	Belt/Variable	Belt/Variable	Direct/3	Direct/3
Motor HP	1	1	1	1
Motor RPM	3/4	3/4	1/2	1/2
Motor Frame Size	1725	1725	1075	1075
	56	56	48	48
Filter - Type				
Furnished	Disposable	Disposable	Disposable	Disposable
(NO.) Size Recommended in. [mm x mm x mm]	Yes	Yes	Yes	Yes
	(1)1x16x25 [25x406x635]	(1)1x16x25 [25x406x635]	(1)1x16x25 [25x406x635]	(1)1x16x25 [25x406x635]
	(1)1x16x25 [25x406x635]	(1)1x16x25 [25x406x635]	(1)1x16x25 [25x406x635]	(1)1x16x25 [25x406x635]
Refrigerant Charge Oz. [g]				
	165 [4678]	165 [4678]	165 [4678]	165 [4678]
Weights				
Net Weight lbs. [kg]	580 [263]	580 [263]	580 [263]	580 [263]
Ship Weight lbs. [kg]	587 [266]	587 [266]	587 [266]	587 [266]

NOTES:

- Cooling Performance is rated at 95° F ambient, 80° F entering dry bulb, 67° F entering wet bulb. Gross capacity does not include the effect of fan motor heat. AHRI capacity is net and includes the effect of fan motor heat. Units are suitable for operation to ±20% of nominal cfm. Units are certified in accordance with the Unitary Air Conditioner Equipment certification program, which is based on AHRI Standard 210/240 or 360.
- EER and/or SEER are rated at AHRI conditions and in accordance with DOE test procedures.
- Heating Performance limit settings and rating data were established and approved under laboratory test conditions using American National Standard Institute standards. Ratings shown are for elevations up to 2000 feet. For elevations above 2000 feet, ratings should be reduced at the rate of 4% for each 1000 feet above sea level.
- Outdoor Sound Rating shown is tested in accordance with AHRI Standard 270.

GENERAL DATA - RKNL MODELS

NOMINAL SIZES 3-5 TONS [10.6-17.6 kW]

Model RKNL- Series	A048JK13(E/X)	A048YL10	A048YL13	A048YM10
Cooling Performance¹				Continued ->
Gross Cooling Capacity Btu [kW]	50,000 [14.65]	50,000 [14.65]	50,000 [14.65]	50,000 [14.65]
EER/SEER ²	11.45/13	11.45/13	11.45/13	11.45/13
Nominal CFM/AHRI Rated CFM [L/s]	1600/1600 [755/755]	1600/1600 [755/755]	1600/1600 [755/755]	1600/1600 [755/755]
AHRI Net Cooling Capacity Btu [kW]	48,000 [14.06]	48,000 [14.06]	48,000 [14.06]	48,000 [14.06]
Net Sensible Capacity Btu [kW]	35,600 [10.43]	35,600 [10.43]	35,600 [10.43]	35,600 [10.43]
Net Latent Capacity Btu [kW]	12,400 [3.63]	12,400 [3.63]	12,400 [3.63]	12,400 [3.63]
Net System Power kW	4.19	4.19	4.19	4.19
Heating Performance (Gas)⁴				
Heating Input Btu [kW]	135,000 [39.55]	100,000 [29.3]	135,000 [39.55]	100,000 [29.3]
Heating Output Btu [kW]	106,500 [31.2]	81,000 [23.73]	109,400 [32.05]	81,000 [23.73]
Temperature Rise Range °F [°C]	50-80 [27.8/44.4]	30-60 [16.7/33.3]	50-80 [27.8/44.4]	30-60 [16.7/33.3]
AFUE %	80	80	80	80
Steady State Efficiency (%)	81	81	81	81
No. Burners	6	5	6	5
No. Stages	1	1	1	1
Gas Connection Pipe Size in. [mm]	0.5 [12.7]	0.5 [12.7]	0.5 [12.7]	0.5 [12.7]
Compressor				
No./Type	1/Scroll	1/Scroll	1/Scroll	1/Scroll
Outdoor Sound Rating (dB)⁵	78	78	78	78
Outdoor Coil - Fin Type	Louvered	Louvered	Louvered	Louvered
Tube Type	Rifled	Rifled	Rifled	Rifled
Tube Size in. [mm] OD	0.375 [9.5]	0.375 [9.5]	0.375 [9.5]	0.375 [9.5]
Face Area sq. ft. [sq. m]	16.56 [1.54]	16.56 [1.54]	16.56 [1.54]	16.56 [1.54]
Rows / FPI [FPcm]	2 / 22 [9]	2 / 22 [9]	2 / 22 [9]	2 / 22 [9]
Indoor Coil - Fin Type	Corrugated	Corrugated	Corrugated	Corrugated
Tube Type	Rifled	Rifled	Rifled	Rifled
Tube Size in. [mm]	0.375 [9.5]	0.375 [9.5]	0.375 [9.5]	0.375 [9.5]
Face Area sq. ft. [sq. m]	5.17 [0.48]	5.17 [0.48]	5.17 [0.48]	5.17 [0.48]
Rows / FPI [FPcm]	3 / 15 [6]	3 / 15 [6]	3 / 15 [6]	3 / 15 [6]
Refrigerant Control	TX Valves	TX Valves	TX Valves	TX Valves
Drain Connection No./Size in. [mm]	1/0.75 [19.05]	1/0.75 [19.05]	1/0.75 [19.05]	1/0.75 [19.05]
Outdoor Fan - Type	Propeller	Propeller	Propeller	Propeller
No. Used/Diameter in. [mm]	1/24 [609.6]	1/24 [609.6]	1/24 [609.6]	1/24 [609.6]
Drive Type/No. Speeds	Direct/1	Direct/1	Direct/1	Direct/1
CFM [L/s]	3680 [1737]	3680 [1737]	3680 [1737]	3680 [1737]
No. Motors/HP	1 at 1/3 HP	1 at 1/3 HP	1 at 1/3 HP	1 at 1/3 HP
Motor RPM	1075	1075	1075	1075
Indoor Fan - Type	FC Centrifugal	FC Centrifugal	FC Centrifugal	FC Centrifugal
No. Used/Diameter in. [mm]	1/10x10 [254x254]	1/10x10 [254x254]	1/10x10 [254x254]	1/10x10 [254x254]
Drive Type/No. Speeds	Direct/3	Belt/Variable	Belt/Variable	Belt/Variable
No. Motors	1	1	1	1
Motor HP	1/2	3/4	3/4	3/4
Motor RPM	1075	1725	1725	1725
Motor Frame Size	48	56	56	56
Filter - Type	Disposable	Disposable	Disposable	Disposable
Furnished	Yes	Yes	Yes	Yes
(NO.) Size Recommended in. [mm x mm x mm]	(1)1x16x25 [25x406x635]	(1)1x16x25 [25x406x635]	(1)1x16x25 [25x406x635]	(1)1x16x25 [25x406x635]
Refrigerant Charge Oz. [g]	165 [4678]	165 [4678]	165 [4678]	165 [4678]
Weights				
Net Weight lbs. [kg]	585 [265]	580 [263]	585 [265]	580 [263]
Ship Weight lbs. [kg]	592 [269]	587 [266]	592 [269]	587 [266]

- NOTES:**
- Cooling Performance is rated at 95° F ambient, 80° F entering dry bulb, 67° F entering wet bulb. Gross capacity does not include the effect of fan motor heat. AHRI capacity is net and includes the effect of fan motor heat. Units are suitable for operation to ±20% of nominal cfm. Units are certified in accordance with the Unitary Air Conditioner Equipment certification program, which is based on AHRI Standard 210/240 or 360.
 - EER and/or SEER are rated at AHRI conditions and in accordance with DOE test procedures.
 - Heating Performance limit settings and rating data were established and approved under laboratory test conditions using American National Standard Institute standards. Ratings shown are for elevations up to 2000 feet. For elevations above 2000 feet, ratings should be reduced at the rate of 4% for each 1000 feet above sea level.
 - Outdoor Sound Rating shown is tested in accordance with AHRI Standard 270.

GENERAL DATA - RKNL MODELS

NOMINAL SIZES 3-5 TONS [10.6-17.6 kW]

Model RKNL- Series	A048YM13	A060CK10	A060CK13	A060CL10
Cooling Performance¹				Continued ->
Gross Cooling Capacity Btu [kW]	50,000 [14.65]	61,000 [17.87]	61,000 [17.87]	61,000 [17.87]
EER/SEER ²	11.45/13	11.1/13	11.1/13	11.1/13
Nominal CFM/AHRI Rated CFM [L/s]	1600/1600 [755/755]	2000/1900 [944/897]	2000/1900 [944/897]	2000/1900 [944/897]
AHRI Net Cooling Capacity Btu [kW]	48,000 [14.06]	59,000 [17.29]	59,000 [17.29]	59,000 [17.29]
Net Sensible Capacity Btu [kW]	35,600 [10.43]	42,000 [12.31]	42,000 [12.31]	42,000 [12.31]
Net Latent Capacity Btu [kW]	12,400 [3.63]	17,000 [4.98]	17,000 [4.98]	17,000 [4.98]
Net System Power kW	4.19	5.32	5.32	5.32
Heating Performance (Gas)⁴				
Heating Input Btu [kW]	135,000 [39.55]	100,000 [29.3]	135,000 [39.55]	100,000 [29.3]
Heating Output Btu [kW]	109,400 [32.05]	81,000 [23.73]	109,400 [32.05]	81,000 [23.73]
Temperature Rise Range °F [°C]	50-80 [27.8/44.4]	25-55 [13.9/30.6]	40-70 [22.2/38.9]	25-55 [13.9/30.6]
AFUE %	80	80	80	80
Steady State Efficiency (%)	81	81	81	81
No. Burners	6	5	6	5
No. Stages	1	1	1	1
Gas Connection Pipe Size in. [mm]	0.5 [12.7]	0.5 [12.7]	0.5 [12.7]	0.5 [12.7]
Compressor				
No./Type	1/Scroll	1/Scroll	1/Scroll	1/Scroll
Outdoor Sound Rating (dB)⁵	78	83	83	83
Outdoor Coil - Fin Type	Louvered	Louvered	Louvered	Louvered
Tube Type	Rifled	Rifled	Rifled	Rifled
Tube Size in. [mm] OD	0.375 [9.5]	0.375 [9.5]	0.375 [9.5]	0.375 [9.5]
Face Area sq. ft. [sq. m]	16.56 [1.54]	16.56 [1.54]	16.56 [1.54]	16.56 [1.54]
Rows / FPI [FPcm]	2 / 22 [9]	2 / 22 [9]	2 / 22 [9]	2 / 22 [9]
Indoor Coil - Fin Type	Corrugated	Corrugated	Corrugated	Corrugated
Tube Type	Rifled	Rifled	Rifled	Rifled
Tube Size in. [mm]	0.375 [9.5]	0.375 [9.5]	0.375 [9.5]	0.375 [9.5]
Face Area sq. ft. [sq. m]	5.17 [0.48]	5.17 [0.48]	5.17 [0.48]	5.17 [0.48]
Rows / FPI [FPcm]	3 / 15 [6]	3 / 15 [6]	3 / 15 [6]	3 / 15 [6]
Refrigerant Control	TX Valves	TX Valves	TX Valves	TX Valves
Drain Connection No./Size in. [mm]	1/0.75 [19.05]	1/0.75 [19.05]	1/0.75 [19.05]	1/0.75 [19.05]
Outdoor Fan - Type	Propeller	Propeller	Propeller	Propeller
No. Used/Diameter in. [mm]	1/24 [609.6]	1/24 [609.6]	1/24 [609.6]	1/24 [609.6]
Drive Type/No. Speeds	Direct/1	Direct/1	Direct/1	Direct/1
CFM [L/s]	3680 [1737]	3930 [1855]	3930 [1855]	3930 [1855]
No. Motors/HP	1 at 1/3 HP	1 at 1/3 HP	1 at 1/3 HP	1 at 1/3 HP
Motor RPM	1075	1075	1075	1075
Indoor Fan - Type	FC Centrifugal	FC Centrifugal	FC Centrifugal	FC Centrifugal
No. Used/Diameter in. [mm]	1/10x10 [254x254]	1/10x10 [254x254]	1/10x10 [254x254]	1/10x10 [254x254]
Drive Type/No. Speeds	Belt/Variable	Direct/3	Direct/3	Belt/Variable
No. Motors	1	1	1	1
Motor HP	3/4	1	1	3/4
Motor RPM	1725	1075	1075	1725
Motor Frame Size	56	48	48	56
Filter - Type	Disposable	Disposable	Disposable	Disposable
Furnished	Yes	Yes	Yes	Yes
(NO.) Size Recommended in. [mm x mm x mm]	(1)1x16x25 [25x406x635]	(1)1x16x25 [25x406x635]	(1)1x16x25 [25x406x635]	(1)1x16x25 [25x406x635]
Refrigerant Charge Oz. [g]	165 [4678]	160 [4536]	160 [4536]	160 [4536]
Weights				
Net Weight lbs. [kg]	580 [263]	590 [268]	597 [271]	590 [268]
Ship Weight lbs. [kg]	587 [266]	597 [271]	604 [274]	597 [271]

NOTES:

- Cooling Performance is rated at 95° F ambient, 80° F entering dry bulb, 67° F entering wet bulb. Gross capacity does not include the effect of fan motor heat. AHRI capacity is net and includes the effect of fan motor heat. Units are suitable for operation to ±20% of nominal cfm. Units are certified in accordance with the Unitary Air Conditioner Equipment certification program, which is based on AHRI Standard 210/240 or 360.
- EER and/or SEER are rated at AHRI conditions and in accordance with DOE test procedures.
- Heating Performance limit settings and rating data were established and approved under laboratory test conditions using American National Standard Institute standards. Ratings shown are for elevations up to 2000 feet. For elevations above 2000 feet, ratings should be reduced at the rate of 4% for each 1000 feet above sea level.
- Outdoor Sound Rating shown is tested in accordance with AHRI Standard 270.

GENERAL DATA - RKNL MODELS

NOMINAL SIZES 3-5 TONS [10.6-17.6 kW]

Model RKNL- Series	A060CL13	A060CM10	A060CM13	A060DK10
Cooling Performance¹				Continued ->
Gross Cooling Capacity Btu [kW]	61,000 [17.87]	61,000 [17.87]	61,000 [17.87]	61,000 [17.87]
EER/SEER ²	11.1/13	11.1/13	11.1/13	11.1/13
Nominal CFM/AHRI Rated CFM [L/s]	2000/1900 [944/897]	2000/1900 [944/897]	2000/1900 [944/897]	2000/1900 [944/897]
AHRI Net Cooling Capacity Btu [kW]	59,000 [17.29]	59,000 [17.29]	59,000 [17.29]	59,000 [17.29]
Net Sensible Capacity Btu [kW]	42,000 [12.31]	42,000 [12.31]	42,000 [12.31]	42,000 [12.31]
Net Latent Capacity Btu [kW]	17,000 [4.98]	17,000 [4.98]	17,000 [4.98]	17,000 [4.98]
Net System Power kW	5.32	5.32	5.32	5.32
Heating Performance (Gas)⁴				
Heating Input Btu [kW]	135,000 [39.55]	100,000 [29.3]	135,000 [39.55]	100,000 [29.3]
Heating Output Btu [kW]	109,400 [32.05]	81,000 [23.73]	109,400 [32.05]	81,000 [23.73]
Temperature Rise Range °F [°C]	40-70 [22.2/38.9]	25-55 [13.9/30.6]	40-70 [22.2/38.9]	25-55 [13.9/30.6]
AFUE %	80	80	80	80
Steady State Efficiency (%)	81	81	81	81
No. Burners	6	5	6	5
No. Stages	1	1	1	1
Gas Connection Pipe Size in. [mm]	0.5 [12.7]	0.5 [12.7]	0.5 [12.7]	0.5 [12.7]
Compressor				
No./Type	1/Scroll	1/Scroll	1/Scroll	1/Scroll
Outdoor Sound Rating (dB)⁵				
	83	83	83	83
Outdoor Coil - Fin Type				
Tube Type	Louvered	Louvered	Louvered	Louvered
Tube Size in. [mm] OD	Rifled	Rifled	Rifled	Rifled
Face Area sq. ft. [sq. m]	0.375 [9.5]	0.375 [9.5]	0.375 [9.5]	0.375 [9.5]
Rows / FPI [FPcm]	16.56 [1.54]	16.56 [1.54]	16.56 [1.54]	16.56 [1.54]
	2 / 22 [9]	2 / 22 [9]	2 / 22 [9]	2 / 22 [9]
Indoor Coil - Fin Type				
Tube Type	Corrugated	Corrugated	Corrugated	Corrugated
Tube Size in. [mm]	Rifled	Rifled	Rifled	Rifled
Face Area sq. ft. [sq. m]	0.375 [9.5]	0.375 [9.5]	0.375 [9.5]	0.375 [9.5]
Rows / FPI [FPcm]	5.17 [0.48]	5.17 [0.48]	5.17 [0.48]	5.17 [0.48]
Refrigerant Control	3 / 15 [6]	3 / 15 [6]	3 / 15 [6]	3 / 15 [6]
Drain Connection No./Size in. [mm]	TX Valves	TX Valves	TX Valves	TX Valves
	1/0.75 [19.05]	1/0.75 [19.05]	1/0.75 [19.05]	1/0.75 [19.05]
Outdoor Fan - Type				
No. Used/Diameter in. [mm]	Propeller	Propeller	Propeller	Propeller
Drive Type/No. Speeds	1/24 [609.6]	1/24 [609.6]	1/24 [609.6]	1/24 [609.6]
CFM [L/s]	Direct/1	Direct/1	Direct/1	Direct/1
No. Motors/HP	3930 [1855]	3930 [1855]	3930 [1855]	3930 [1855]
Motor RPM	1 at 1/3 HP	1 at 1/3 HP	1 at 1/3 HP	1 at 1/3 HP
	1075	1075	1075	1075
Indoor Fan - Type				
No. Used/Diameter in. [mm]	FC Centrifugal	FC Centrifugal	FC Centrifugal	FC Centrifugal
Drive Type/No. Speeds	1/10x10 [254x254]	1/10x10 [254x254]	1/10x10 [254x254]	1/10x10 [254x254]
No. Motors	Belt/Variable	Belt/Variable	Belt/Variable	Direct/3
Motor HP	1	1	1	1
Motor RPM	3/4	1	1	1
Motor Frame Size	1725	1725	1725	1075
	56	56	56	48
Filter - Type				
Furnished	Disposable	Disposable	Disposable	Disposable
(NO.) Size Recommended in. [mm x mm x mm]	Yes	Yes	Yes	Yes
	(1)1x16x25 [25x406x635]	(1)1x16x25 [25x406x635]	(1)1x16x25 [25x406x635]	(1)1x16x25 [25x406x635]
	(1)1x16x25 [25x406x635]	(1)1x16x25 [25x406x635]	(1)1x16x25 [25x406x635]	(1)1x16x25 [25x406x635]
Refrigerant Charge Oz. [g]				
	160 [4536]	160 [4536]	160 [4536]	160 [4536]
Weights				
Net Weight lbs. [kg]	597 [271]	590 [268]	590 [268]	590 [268]
Ship Weight lbs. [kg]	604 [274]	597 [271]	597 [271]	597 [271]

- NOTES:**
- Cooling Performance is rated at 95° F ambient, 80° F entering dry bulb, 67° F entering wet bulb. Gross capacity does not include the effect of fan motor heat. AHRI capacity is net and includes the effect of fan motor heat. Units are suitable for operation to ±20% of nominal cfm. Units are certified in accordance with the Unitary Air Conditioner Equipment certification program, which is based on AHRI Standard 210/240 or 360.
 - EER and/or SEER are rated at AHRI conditions and in accordance with DOE test procedures.
 - Heating Performance limit settings and rating data were established and approved under laboratory test conditions using American National Standard Institute standards. Ratings shown are for elevations up to 2000 feet. For elevations above 2000 feet, ratings should be reduced at the rate of 4% for each 1000 feet above sea level.
 - Outdoor Sound Rating shown is tested in accordance with AHRI Standard 270.

GENERAL DATA - RKNL MODELS

NOMINAL SIZES 3-5 TONS [10.6-17.6 kW]

Model RKNL- Series	A060DK13	A060DL10	A060DL13	A060DM10
Cooling Performance¹				Continued ->
Gross Cooling Capacity Btu [kW]	61,000 [17.87]	61,000 [17.87]	61,000 [17.87]	61,000 [17.87]
EER/SEER ²	11.1/13	11.1/13	11.1/13	11.1/13
Nominal CFM/AHRI Rated CFM [L/s]	2000/1900 [944/897]	2000/1900 [944/897]	2000/1900 [944/897]	2000/1900 [944/897]
AHRI Net Cooling Capacity Btu [kW]	59,000 [17.29]	59,000 [17.29]	59,000 [17.29]	59,000 [17.29]
Net Sensible Capacity Btu [kW]	42,000 [12.31]	42,000 [12.31]	42,000 [12.31]	42,000 [12.31]
Net Latent Capacity Btu [kW]	17,000 [4.98]	17,000 [4.98]	17,000 [4.98]	17,000 [4.98]
Net System Power kW	5.32	5.32	5.32	5.32
Heating Performance (Gas)⁴				
Heating Input Btu [kW]	135,000 [39.55]	100,000 [29.3]	135,000 [39.55]	100,000 [29.3]
Heating Output Btu [kW]	109,400 [32.05]	81,000 [23.73]	109,400 [32.05]	81,000 [23.73]
Temperature Rise Range °F [°C]	40-70 [22.2/38.9]	25-55 [13.9/30.6]	40-70 [22.2/38.9]	25-55 [13.9/30.6]
AFUE %	80	80	80	80
Steady State Efficiency (%)	81	81	81	81
No. Burners	6	5	6	5
No. Stages	1	1	1	1
Gas Connection Pipe Size in. [mm]	0.5 [12.7]	0.5 [12.7]	0.5 [12.7]	0.5 [12.7]
Compressor				
No./Type	1/Scroll	1/Scroll	1/Scroll	1/Scroll
Outdoor Sound Rating (dB)⁵	83	83	83	83
Outdoor Coil - Fin Type	Louvered	Louvered	Louvered	Louvered
Tube Type	Rifled	Rifled	Rifled	Rifled
Tube Size in. [mm] OD	0.375 [9.5]	0.375 [9.5]	0.375 [9.5]	0.375 [9.5]
Face Area sq. ft. [sq. m]	16.56 [1.54]	16.56 [1.54]	16.56 [1.54]	16.56 [1.54]
Rows / FPI [FPcm]	2 / 22 [9]	2 / 22 [9]	2 / 22 [9]	2 / 22 [9]
Indoor Coil - Fin Type	Corrugated	Corrugated	Corrugated	Corrugated
Tube Type	Rifled	Rifled	Rifled	Rifled
Tube Size in. [mm]	0.375 [9.5]	0.375 [9.5]	0.375 [9.5]	0.375 [9.5]
Face Area sq. ft. [sq. m]	5.17 [0.48]	5.17 [0.48]	5.17 [0.48]	5.17 [0.48]
Rows / FPI [FPcm]	3 / 15 [6]	3 / 15 [6]	3 / 15 [6]	3 / 15 [6]
Refrigerant Control	TX Valves	TX Valves	TX Valves	TX Valves
Drain Connection No./Size in. [mm]	1/0.75 [19.05]	1/0.75 [19.05]	1/0.75 [19.05]	1/0.75 [19.05]
Outdoor Fan - Type	Propeller	Propeller	Propeller	Propeller
No. Used/Diameter in. [mm]	1/24 [609.6]	1/24 [609.6]	1/24 [609.6]	1/24 [609.6]
Drive Type/No. Speeds	Direct/1	Direct/1	Direct/1	Direct/1
CFM [L/s]	3930 [1855]	3930 [1855]	3930 [1855]	3930 [1855]
No. Motors/HP	1 at 1/3 HP	1 at 1/3 HP	1 at 1/3 HP	1 at 1/3 HP
Motor RPM	1075	1075	1075	1075
Indoor Fan - Type	FC Centrifugal	FC Centrifugal	FC Centrifugal	FC Centrifugal
No. Used/Diameter in. [mm]	1/10x10 [254x254]	1/10x10 [254x254]	1/10x10 [254x254]	1/10x10 [254x254]
Drive Type/No. Speeds	Direct/3	Belt/Variable	Belt/Variable	Belt/Variable
No. Motors	1	1	1	1
Motor HP	1	3/4	3/4	1
Motor RPM	1075	1725	1725	1725
Motor Frame Size	48	56	56	56
Filter - Type	Disposable	Disposable	Disposable	Disposable
Furnished	Yes	Yes	Yes	Yes
(NO.) Size Recommended in. [mm x mm x mm]	(1)1x16x25 [25x406x635]	(1)1x16x25 [25x406x635]	(1)1x16x25 [25x406x635]	(1)1x16x25 [25x406x635]
	(1)1x16x25 [25x406x635]	(1)1x16x25 [25x406x635]	(1)1x16x25 [25x406x635]	(1)1x16x25 [25x406x635]
Refrigerant Charge Oz. [g]	160 [4536]	160 [4536]	160 [4536]	160 [4536]
Weights				
Net Weight lbs. [kg]	597 [271]	590 [268]	597 [271]	590 [268]
Ship Weight lbs. [kg]	604 [274]	597 [271]	604 [274]	597 [271]

NOTES:

- Cooling Performance is rated at 95° F ambient, 80° F entering dry bulb, 67° F entering wet bulb. Gross capacity does not include the effect of fan motor heat. AHRI capacity is net and includes the effect of fan motor heat. Units are suitable for operation to ±20% of nominal cfm. Units are certified in accordance with the Unitary Air Conditioner Equipment certification program, which is based on AHRI Standard 210/240 or 360.
- EER and/or SEER are rated at AHRI conditions and in accordance with DOE test procedures.
- Heating Performance limit settings and rating data were established and approved under laboratory test conditions using American National Standard Institute standards. Ratings shown are for elevations up to 2000 feet. For elevations above 2000 feet, ratings should be reduced at the rate of 4% for each 1000 feet above sea level.
- Outdoor Sound Rating shown is tested in accordance with AHRI Standard 270.

GENERAL DATA - RKNL MODELS

NOMINAL SIZES 3-5 TONS [10.6-17.6 kW]

Model RKNL- Series	A060DM13	A060JK10(E/X)	A060JK13(E/X)	A060YL10
Cooling Performance¹				Continued ->
Gross Cooling Capacity Btu [kW]	61,000 [17.87]	61,000 [17.87]	61,000 [17.87]	61,000 [17.87]
EER/SEER ²	11.1/13	11.1/13	11.1/13	11.1/13
Nominal CFM/AHRI Rated CFM [L/s]	2000/1900 [944/897]	2000/1900 [944/897]	2000/1900 [944/897]	2000/1900 [944/897]
AHRI Net Cooling Capacity Btu [kW]	59,000 [17.29]	59,000 [17.29]	59,000 [17.29]	59,000 [17.29]
Net Sensible Capacity Btu [kW]	42,000 [12.31]	42,000 [12.31]	42,000 [12.31]	42,000 [12.31]
Net Latent Capacity Btu [kW]	17,000 [4.98]	17,000 [4.98]	17,000 [4.98]	17,000 [4.98]
Net System Power kW	5.32	5.32	5.32	5.32
Heating Performance (Gas)⁴				
Heating Input Btu [kW]	135,000 [39.55]	100,000 [29.3]	135,000 [39.55]	100,000 [29.3]
Heating Output Btu [kW]	109,400 [32.05]	78,500 [23]	106,500 [31.2]	81,000 [23.73]
Temperature Rise Range °F [°C]	40-70 [22.2/38.9]	25-55 [13.9/30.6]	40-70 [22.2/38.9]	25-55 [13.9/30.6]
AFUE %	80	80	80	80
Steady State Efficiency (%)	81	81	81	81
No. Burners	6	5	6	5
No. Stages	1	1	1	1
Gas Connection Pipe Size in. [mm]	0.5 [12.7]	0.5 [12.7]	0.5 [12.7]	0.5 [12.7]
Compressor				
No./Type	1/Scroll	1/Scroll	1/Scroll	1/Scroll
Outdoor Sound Rating (dB)⁵	83	83	83	83
Outdoor Coil - Fin Type	Louvered	Louvered	Louvered	Louvered
Tube Type	Rifled	Rifled	Rifled	Rifled
Tube Size in. [mm] OD	0.375 [9.5]	0.375 [9.5]	0.375 [9.5]	0.375 [9.5]
Face Area sq. ft. [sq. m]	16.56 [1.54]	16.56 [1.54]	16.56 [1.54]	16.56 [1.54]
Rows / FPI [FPcm]	2 / 22 [9]	2 / 22 [9]	2 / 22 [9]	2 / 22 [9]
Indoor Coil - Fin Type	Corrugated	Corrugated	Corrugated	Corrugated
Tube Type	Rifled	Rifled	Rifled	Rifled
Tube Size in. [mm]	0.375 [9.5]	0.375 [9.5]	0.375 [9.5]	0.375 [9.5]
Face Area sq. ft. [sq. m]	5.17 [0.48]	5.17 [0.48]	5.17 [0.48]	5.17 [0.48]
Rows / FPI [FPcm]	3 / 15 [6]	3 / 15 [6]	3 / 15 [6]	3 / 15 [6]
Refrigerant Control	TX Valves	TX Valves	TX Valves	TX Valves
Drain Connection No./Size in. [mm]	1/0.75 [19.05]	1/0.75 [19.05]	1/0.75 [19.05]	1/0.75 [19.05]
Outdoor Fan - Type	Propeller	Propeller	Propeller	Propeller
No. Used/Diameter in. [mm]	1/24 [609.6]	1/24 [609.6]	1/24 [609.6]	1/24 [609.6]
Drive Type/No. Speeds	Direct/1	Direct/1	Direct/1	Direct/1
CFM [L/s]	3930 [1855]	3930 [1855]	3930 [1855]	3930 [1855]
No. Motors/HP	1 at 1/3 HP	1 at 1/3 HP	1 at 1/3 HP	1 at 1/3 HP
Motor RPM	1075	1075	1075	1075
Indoor Fan - Type	FC Centrifugal	FC Centrifugal	FC Centrifugal	FC Centrifugal
No. Used/Diameter in. [mm]	1/10x10 [254x254]	1/10x10 [254x254]	1/10x10 [254x254]	1/10x10 [254x254]
Drive Type/No. Speeds	Belt/Variable	Direct/3	Direct/3	Belt/Variable
No. Motors	1	1	1	1
Motor HP	1	1	1	3/4
Motor RPM	1725	1075	1075	1725
Motor Frame Size	56	48	48	56
Filter - Type	Disposable	Disposable	Disposable	Disposable
Furnished	Yes	Yes	Yes	Yes
(NO.) Size Recommended in. [mm x mm x mm]	(1)1x16x25 [25x406x635]	(1)1x16x25 [25x406x635]	(1)1x16x25 [25x406x635]	(1)1x16x25 [25x406x635]
Refrigerant Charge Oz. [g]	160 [4536]	160 [4536]	160 [4536]	160 [4536]
Weights				
Net Weight lbs. [kg]	590 [268]	590 [268]	597 [271]	590 [268]
Ship Weight lbs. [kg]	597 [271]	597 [271]	604 [274]	597 [271]

NOTES:

- Cooling Performance is rated at 95° F ambient, 80° F entering dry bulb, 67° F entering wet bulb. Gross capacity does not include the effect of fan motor heat. AHRI capacity is net and includes the effect of fan motor heat. Units are suitable for operation to ±20% of nominal cfm. Units are certified in accordance with the Unitary Air Conditioner Equipment certification program, which is based on AHRI Standard 210/240 or 360.
- EER and/or SEER are rated at AHRI conditions and in accordance with DOE test procedures.
- Heating Performance limit settings and rating data were established and approved under laboratory test conditions using American National Standard Institute standards. Ratings shown are for elevations up to 2000 feet. For elevations above 2000 feet, ratings should be reduced at the rate of 4% for each 1000 feet above sea level.
- Outdoor Sound Rating shown is tested in accordance with AHRI Standard 270.

GENERAL DATA - RKNL MODELS

NOMINAL SIZES 3-5 TONS [10.6-17.6 kW]

Model RKNL- Series	A060YL13	A060YM10	A060YM13
Cooling Performance¹			
Gross Cooling Capacity Btu [kW]	61,000 [17.87]	61,000 [17.87]	61,000 [17.87]
EER/SEER ²	11.1/13	11.1/13	11.1/13
Nominal CFM/AHRI Rated CFM [L/s]	2000/1900 [944/897]	2000/1900 [944/897]	2000/1900 [944/897]
AHRI Net Cooling Capacity Btu [kW]	59,000 [17.29]	59,000 [17.29]	59,000 [17.29]
Net Sensible Capacity Btu [kW]	42,000 [12.31]	42,000 [12.31]	42,000 [12.31]
Net Latent Capacity Btu [kW]	17,000 [4.98]	17,000 [4.98]	17,000 [4.98]
Net System Power kW	5.32	5.32	5.32
Heating Performance (Gas)⁴			
Heating Input Btu [kW]	135,000 [39.55]	100,000 [29.3]	135,000 [39.55]
Heating Output Btu [kW]	109,400 [32.05]	81,000 [23.73]	109,400 [32.05]
Temperature Rise Range °F [°C]	40-70 [22.2/38.9]	25-55 [13.9/30.6]	40-70 [22.2/38.9]
AFUE %	80	80	80
Steady State Efficiency (%)	81	81	81
No. Burners	6	5	6
No. Stages	1	1	1
Gas Connection Pipe Size in. [mm]	0.5 [12.7]	0.5 [12.7]	0.5 [12.7]
Compressor			
No./Type	1/Scroll	1/Scroll	1/Scroll
Outdoor Sound Rating (dB)⁵			
	83	83	83
Outdoor Coil - Fin Type			
Tube Type	Louvered	Louvered	Louvered
Tube Size in. [mm] OD	Rifled	Rifled	Rifled
Face Area sq. ft. [sq. m]	0.375 [9.5]	0.375 [9.5]	0.375 [9.5]
Rows / FPI [FPcm]	16.56 [1.54]	16.56 [1.54]	16.56 [1.54]
	2 / 22 [9]	2 / 22 [9]	2 / 22 [9]
Indoor Coil - Fin Type			
Tube Type	Corrugated	Corrugated	Corrugated
Tube Size in. [mm]	Rifled	Rifled	Rifled
Face Area sq. ft. [sq. m]	0.375 [9.5]	0.375 [9.5]	0.375 [9.5]
Rows / FPI [FPcm]	5.17 [0.48]	5.17 [0.48]	5.17 [0.48]
	3 / 15 [6]	3 / 15 [6]	3 / 15 [6]
Refrigerant Control	TX Valves	TX Valves	TX Valves
Drain Connection No./Size in. [mm]	1/0.75 [19.05]	1/0.75 [19.05]	1/0.75 [19.05]
Outdoor Fan - Type			
No. Used/Diameter in. [mm]	Propeller	Propeller	Propeller
Drive Type/No. Speeds	1/24 [609.6]	1/24 [609.6]	1/24 [609.6]
CFM [L/s]	Direct/1	Direct/1	Direct/1
No. Motors/HP	3930 [1855]	3930 [1855]	3930 [1855]
Motor RPM	1 at 1/3 HP	1 at 1/3 HP	1 at 1/3 HP
	1075	1075	1075
Indoor Fan - Type			
No. Used/Diameter in. [mm]	FC Centrifugal	FC Centrifugal	FC Centrifugal
Drive Type/No. Speeds	1/10x10 [254x254]	1/10x10 [254x254]	1/10x10 [254x254]
No. Motors	Belt/Variable	Belt/Variable	Belt/Variable
Motor HP	1	1	1
Motor RPM	3/4	1	1
Motor Frame Size	1725	1725	1725
	56	56	56
Filter - Type			
Furnished	Disposable	Disposable	Disposable
(NO.) Size Recommended in. [mm x mm x mm]	Yes	Yes	Yes
	(1)1x16x25 [25x406x635]	(1)1x16x25 [25x406x635]	(1)1x16x25 [25x406x635]
	(1)1x16x25 [25x406x635]	(1)1x16x25 [25x406x635]	(1)1x16x25 [25x406x635]
Refrigerant Charge Oz. [g]			
	160 [4536]	160 [4536]	160 [4536]
Weights			
Net Weight lbs. [kg]	597 [271]	590 [268]	590 [268]
Ship Weight lbs. [kg]	604 [274]	597 [271]	597 [271]

NOTES:

- Cooling Performance is rated at 95° F ambient, 80° F entering dry bulb, 67° F entering wet bulb. Gross capacity does not include the effect of fan motor heat. AHRI capacity is net and includes the effect of fan motor heat. Units are suitable for operation to ±20% of nominal cfm. Units are certified in accordance with the Unitary Air Conditioner Equipment certification program, which is based on AHRI Standard 210/240 or 360.
- EER and/or SEER are rated at AHRI conditions and in accordance with DOE test procedures.
- Heating Performance limit settings and rating data were established and approved under laboratory test conditions using American National Standard Institute standards. Ratings shown are for elevations up to 2000 feet. For elevations above 2000 feet, ratings should be reduced at the rate of 4% for each 1000 feet above sea level.
- Outdoor Sound Rating shown is tested in accordance with AHRI Standard 270.

GENERAL DATA - RKPL MODELS

NOMINAL SIZES 3-5 TONS [10.6-17.6 kW]

Model RKPL- Series	A036CK08	A036CK12	A036CL08	A036CL12
Cooling Performance¹				Continued ->
Gross Cooling Capacity Btu [kW]	36,600 [10.72]	36,600 [10.72]	36,600 [10.72]	36,600 [10.72]
EER/SEER ²	12.05/14	12.05/14	12.05/14	12.05/14
Nominal CFM/AHRI Rated CFM [L/s]	1200/1200 [566/566]	1200/1200 [566/566]	1200/1200 [566/566]	1200/1200 [566/566]
AHRI Net Cooling Capacity Btu [kW]	35,800 [10.49]	35,800 [10.49]	35,800 [10.49]	35,800 [10.49]
Net Sensible Capacity Btu [kW]	27,000 [7.91]	27,000 [7.91]	27,000 [7.91]	27,000 [7.91]
Net Latent Capacity Btu [kW]	8,800 [2.58]	8,800 [2.58]	8,800 [2.58]	8,800 [2.58]
Net System Power kW	2.97	2.97	2.97	2.97
Heating Performance (Gas)⁴				
Heating Input Btu [kW]	80,000 [23.44]	120,000 [35.16]	80,000 [23.44]	120,000 [35.16]
Heating Output Btu [kW]	64,800 [18.99]	97,200 [28.48]	64,800 [18.99]	97,200 [28.48]
Temperature Rise Range °F [°C]	30-60 [16.7/33.3]	50-80 [27.8/44.4]	30-60 [16.7/33.3]	50-80 [27.8/44.4]
AFUE %	80	80	80	80
Steady State Efficiency (%)	81	81	81	81
No. Burners	4	6	4	6
No. Stages	1	1	1	1
Gas Connection Pipe Size in. [mm]	0.5 [12.7]	0.5 [12.7]	0.5 [12.7]	0.5 [12.7]
Compressor				
No./Type	1/Scroll	1/Scroll	1/Scroll	1/Scroll
Outdoor Sound Rating (dB)⁵				
	78	78	78	78
Outdoor Coil - Fin Type				
Tube Type	Louvered	Louvered	Louvered	Louvered
Tube Size in. [mm] OD	Rifled	Rifled	Rifled	Rifled
Face Area sq. ft. [sq. m]	0.375 [9.5]	0.375 [9.5]	0.375 [9.5]	0.375 [9.5]
Rows / FPI [FPcm]	16.91 [1.57]	16.91 [1.57]	16.91 [1.57]	16.91 [1.57]
	1 / 22 [9]	1 / 22 [9]	1 / 22 [9]	1 / 22 [9]
Indoor Coil - Fin Type				
Tube Type	Corrugated	Corrugated	Corrugated	Corrugated
Tube Size in. [mm]	Rifled	Rifled	Rifled	Rifled
Face Area sq. ft. [sq. m]	0.375 [9.5]	0.375 [9.5]	0.375 [9.5]	0.375 [9.5]
Rows / FPI [FPcm]	5.17 [0.48]	5.17 [0.48]	5.17 [0.48]	5.17 [0.48]
Refrigerant Control	2 / 17 [7]	2 / 17 [7]	2 / 17 [7]	2 / 17 [7]
Drain Connection No./Size in. [mm]	TX Valves	TX Valves	TX Valves	TX Valves
	1/0.75 [19.05]	1/0.75 [19.05]	1/0.75 [19.05]	1/0.75 [19.05]
Outdoor Fan - Type				
No. Used/Diameter in. [mm]	Propeller	Propeller	Propeller	Propeller
Drive Type/No. Speeds	1/24 [609.6]	1/24 [609.6]	1/24 [609.6]	1/24 [609.6]
CFM [L/s]	Direct/1	Direct/1	Direct/1	Direct/1
No. Motors/HP	3680 [1737]	3680 [1737]	3680 [1737]	3680 [1737]
Motor RPM	1 at 1/3 HP	1 at 1/3 HP	1 at 1/3 HP	1 at 1/3 HP
	1075	1075	1075	1075
Indoor Fan - Type				
No. Used/Diameter in. [mm]	FC Centrifugal	FC Centrifugal	FC Centrifugal	FC Centrifugal
Drive Type/No. Speeds	1/10x10 [254x254]	1/10x10 [254x254]	1/10x10 [254x254]	1/10x10 [254x254]
No. Motors	Direct/4	Direct/4	Belt/Variable	Belt/Variable
Motor HP	1	1	1	1
Motor RPM	1/2	1/2	1/2	1/2
Motor Frame Size	1075	1075	1725	1725
	48	48	48	48
Filter - Type				
Furnished	Disposable	Disposable	Disposable	Disposable
(NO.) Size Recommended in. [mm x mm x mm]	Yes	Yes	Yes	Yes
	(1)1x16x25 [25x406x635]	(1)1x16x25 [25x406x635]	(1)1x16x25 [25x406x635]	(1)1x16x25 [25x406x635]
	(1)1x16x25 [25x406x635]	(1)1x16x25 [25x406x635]	(1)1x16x25 [25x406x635]	(1)1x16x25 [25x406x635]
Refrigerant Charge Oz. [g]				
	96 [2722]	96 [2722]	96 [2722]	96 [2722]
Weights				
Net Weight lbs. [kg]	543 [246]	543 [246]	543 [246]	543 [246]
Ship Weight lbs. [kg]	550 [249]	550 [249]	550 [249]	550 [249]

NOTES:

- Cooling Performance is rated at 95° F ambient, 80° F entering dry bulb, 67° F entering wet bulb. Gross capacity does not include the effect of fan motor heat. AHRI capacity is net and includes the effect of fan motor heat. Units are suitable for operation to ±20% of nominal cfm. Units are certified in accordance with the Unitary Air Conditioner Equipment certification program, which is based on AHRI Standard 210/240 or 360.
- EER and/or SEER are rated at AHRI conditions and in accordance with DOE test procedures.
- Heating Performance limit settings and rating data were established and approved under laboratory test conditions using American National Standard Institute standards. Ratings shown are for elevations up to 2000 feet. For elevations above 2000 feet, ratings should be reduced at the rate of 4% for each 1000 feet above sea level.
- Outdoor Sound Rating shown is tested in accordance with AHRI Standard 270.

GENERAL DATA - RKPL MODELS

NOMINAL SIZES 3-5 TONS [10.6-17.6 kW]

Model RKPL- Series	A036CM08	A036CM12	A036DK08	A036DK12
Cooling Performance¹				Continued ->
Gross Cooling Capacity Btu [kW]	36,600 [10.72]	36,600 [10.72]	36,600 [10.72]	36,600 [10.72]
EER/SEER ²	12.05/14	12.05/14	12.05/14	12.05/14
Nominal CFM/AHRI Rated CFM [L/s]	1200/1200 [566/566]	1200/1200 [566/566]	1200/1200 [566/566]	1200/1200 [566/566]
AHRI Net Cooling Capacity Btu [kW]	35,800 [10.49]	35,800 [10.49]	35,800 [10.49]	35,800 [10.49]
Net Sensible Capacity Btu [kW]	27,000 [7.91]	27,000 [7.91]	27,000 [7.91]	27,000 [7.91]
Net Latent Capacity Btu [kW]	8,800 [2.58]	8,800 [2.58]	8,800 [2.58]	8,800 [2.58]
Net System Power kW	2.97	2.97	2.97	2.97
Heating Performance (Gas)⁴				
Heating Input Btu [kW]	80,000 [23.44]	120,000 [35.16]	80,000 [23.44]	120,000 [35.16]
Heating Output Btu [kW]	64,800 [18.99]	97,200 [28.48]	64,800 [18.99]	97,200 [28.48]
Temperature Rise Range °F [°C]	30-60 [16.7/33.3]	50-80 [27.8/44.4]	30-60 [16.7/33.3]	50-80 [27.8/44.4]
AFUE %	80	80	80	80
Steady State Efficiency (%)	81	81	81	81
No. Burners	4	6	4	6
No. Stages	1	1	1	1
Gas Connection Pipe Size in. [mm]	0.5 [12.7]	0.5 [12.7]	0.5 [12.7]	0.5 [12.7]
Compressor				
No./Type	1/Scroll	1/Scroll	1/Scroll	1/Scroll
Outdoor Sound Rating (dB)⁵				
	78	78	78	78
Outdoor Coil - Fin Type				
Tube Type	Louvered	Louvered	Louvered	Louvered
Tube Size in. [mm] OD	Rifled	Rifled	Rifled	Rifled
Face Area sq. ft. [sq. m]	0.375 [9.5]	0.375 [9.5]	0.375 [9.5]	0.375 [9.5]
Rows / FPI [FPcm]	16.91 [1.57]	16.91 [1.57]	16.91 [1.57]	16.91 [1.57]
	1 / 22 [9]	1 / 22 [9]	1 / 22 [9]	1 / 22 [9]
Indoor Coil - Fin Type				
Tube Type	Corrugated	Corrugated	Corrugated	Corrugated
Tube Size in. [mm]	Rifled	Rifled	Rifled	Rifled
Face Area sq. ft. [sq. m]	0.375 [9.5]	0.375 [9.5]	0.375 [9.5]	0.375 [9.5]
Rows / FPI [FPcm]	5.17 [0.48]	5.17 [0.48]	5.17 [0.48]	5.17 [0.48]
Refrigerant Control	2 / 17 [7]	2 / 17 [7]	2 / 17 [7]	2 / 17 [7]
Drain Connection No./Size in. [mm]	TX Valves	TX Valves	TX Valves	TX Valves
	1/0.75 [19.05]	1/0.75 [19.05]	1/0.75 [19.05]	1/0.75 [19.05]
Outdoor Fan - Type				
No. Used/Diameter in. [mm]	Propeller	Propeller	Propeller	Propeller
Drive Type/No. Speeds	1/24 [609.6]	1/24 [609.6]	1/24 [609.6]	1/24 [609.6]
CFM [L/s]	Direct/1	Direct/1	Direct/1	Direct/1
No. Motors/HP	3680 [1737]	3680 [1737]	3680 [1737]	3680 [1737]
Motor RPM	1 at 1/3 HP	1 at 1/3 HP	1 at 1/3 HP	1 at 1/3 HP
	1075	1075	1075	1075
Indoor Fan - Type				
No. Used/Diameter in. [mm]	FC Centrifugal	FC Centrifugal	FC Centrifugal	FC Centrifugal
Drive Type/No. Speeds	1/10x10 [254x254]	1/10x10 [254x254]	1/10x10 [254x254]	1/10x10 [254x254]
No. Motors	Belt/Variable	Belt/Variable	Direct/4	Direct/4
Motor HP	1	1	1	1
Motor RPM	1/2	1/2	1/2	1/2
Motor Frame Size	1725	1725	1075	1075
	48	48	48	48
Filter - Type				
Furnished	Disposable	Disposable	Disposable	Disposable
(NO.) Size Recommended in. [mm x mm x mm]	Yes	Yes	Yes	Yes
	(1)1x16x25 [25x406x635]	(1)1x16x25 [25x406x635]	(1)1x16x25 [25x406x635]	(1)1x16x25 [25x406x635]
	(1)1x16x25 [25x406x635]	(1)1x16x25 [25x406x635]	(1)1x16x25 [25x406x635]	(1)1x16x25 [25x406x635]
Refrigerant Charge Oz. [g]				
	96 [2722]	96 [2722]	96 [2722]	96 [2722]
Weights				
Net Weight lbs. [kg]	543 [246]	543 [246]	543 [246]	543 [246]
Ship Weight lbs. [kg]	550 [249]	550 [249]	550 [249]	550 [249]

NOTES:

- Cooling Performance is rated at 95° F ambient, 80° F entering dry bulb, 67° F entering wet bulb. Gross capacity does not include the effect of fan motor heat. AHRI capacity is net and includes the effect of fan motor heat. Units are suitable for operation to ±20% of nominal cfm. Units are certified in accordance with the Unitary Air Conditioner Equipment certification program, which is based on AHRI Standard 210/240 or 360.
- EER and/or SEER are rated at AHRI conditions and in accordance with DOE test procedures.
- Heating Performance limit settings and rating data were established and approved under laboratory test conditions using American National Standard Institute standards. Ratings shown are for elevations up to 2000 feet. For elevations above 2000 feet, ratings should be reduced at the rate of 4% for each 1000 feet above sea level.
- Outdoor Sound Rating shown is tested in accordance with AHRI Standard 270.

GENERAL DATA - RKPL MODELS

NOMINAL SIZES 3-5 TONS [10.6-17.6 kW]

Model RKPL- Series	A036DL08	A036DL12	A036DM08	A036DM12
Cooling Performance¹				Continued ->
Gross Cooling Capacity Btu [kW]	36,600 [10.72]	36,600 [10.72]	36,600 [10.72]	36,600 [10.72]
EER/SEER ²	12.05/14	12.05/14	12.05/14	12.05/14
Nominal CFM/AHRI Rated CFM [L/s]	1200/1200 [566/566]	1200/1200 [566/566]	1200/1200 [566/566]	1200/1200 [566/566]
AHRI Net Cooling Capacity Btu [kW]	35,800 [10.49]	35,800 [10.49]	35,800 [10.49]	35,800 [10.49]
Net Sensible Capacity Btu [kW]	27,000 [7.91]	27,000 [7.91]	27,000 [7.91]	27,000 [7.91]
Net Latent Capacity Btu [kW]	8,800 [2.58]	8,800 [2.58]	8,800 [2.58]	8,800 [2.58]
Net System Power kW	2.97	2.97	2.97	2.97
Heating Performance (Gas)⁴				
Heating Input Btu [kW]	80,000 [23.44]	120,000 [35.16]	80,000 [23.44]	120,000 [35.16]
Heating Output Btu [kW]	64,800 [18.99]	97,200 [28.48]	64,800 [18.99]	97,200 [28.48]
Temperature Rise Range °F [°C]	30-60 [16.7/33.3]	50-80 [27.8/44.4]	30-60 [16.7/33.3]	50-80 [27.8/44.4]
AFUE %	80	80	80	80
Steady State Efficiency (%)	81	81	81	81
No. Burners	4	6	4	6
No. Stages	1	1	1	1
Gas Connection Pipe Size in. [mm]	0.5 [12.7]	0.5 [12.7]	0.5 [12.7]	0.5 [12.7]
Compressor				
No./Type	1/Scroll	1/Scroll	1/Scroll	1/Scroll
Outdoor Sound Rating (dB)⁵	78	78	78	78
Outdoor Coil - Fin Type	Louvered	Louvered	Louvered	Louvered
Tube Type	Rifled	Rifled	Rifled	Rifled
Tube Size in. [mm] OD	0.375 [9.5]	0.375 [9.5]	0.375 [9.5]	0.375 [9.5]
Face Area sq. ft. [sq. m]	16.91 [1.57]	16.91 [1.57]	16.91 [1.57]	16.91 [1.57]
Rows / FPI [FPcm]	1 / 22 [9]	1 / 22 [9]	1 / 22 [9]	1 / 22 [9]
Indoor Coil - Fin Type	Corrugated	Corrugated	Corrugated	Corrugated
Tube Type	Rifled	Rifled	Rifled	Rifled
Tube Size in. [mm]	0.375 [9.5]	0.375 [9.5]	0.375 [9.5]	0.375 [9.5]
Face Area sq. ft. [sq. m]	5.17 [0.48]	5.17 [0.48]	5.17 [0.48]	5.17 [0.48]
Rows / FPI [FPcm]	2 / 17 [7]	2 / 17 [7]	2 / 17 [7]	2 / 17 [7]
Refrigerant Control	TX Valves	TX Valves	TX Valves	TX Valves
Drain Connection No./Size in. [mm]	1/0.75 [19.05]	1/0.75 [19.05]	1/0.75 [19.05]	1/0.75 [19.05]
Outdoor Fan - Type	Propeller	Propeller	Propeller	Propeller
No. Used/Diameter in. [mm]	1/24 [609.6]	1/24 [609.6]	1/24 [609.6]	1/24 [609.6]
Drive Type/No. Speeds	Direct/1	Direct/1	Direct/1	Direct/1
CFM [L/s]	3680 [1737]	3680 [1737]	3680 [1737]	3680 [1737]
No. Motors/HP	1 at 1/3 HP	1 at 1/3 HP	1 at 1/3 HP	1 at 1/3 HP
Motor RPM	1075	1075	1075	1075
Indoor Fan - Type	FC Centrifugal	FC Centrifugal	FC Centrifugal	FC Centrifugal
No. Used/Diameter in. [mm]	1/10x10 [254x254]	1/10x10 [254x254]	1/10x10 [254x254]	1/10x10 [254x254]
Drive Type/No. Speeds	Belt/Variable	Belt/Variable	Belt/Variable	Belt/Variable
No. Motors	1	1	1	1
Motor HP	1/2	1/2	1/2	1/2
Motor RPM	1725	1725	1725	1725
Motor Frame Size	48	48	48	48
Filter - Type	Disposable	Disposable	Disposable	Disposable
Furnished	Yes	Yes	Yes	Yes
(NO.) Size Recommended in. [mm x mm x mm]	(1)1x16x25 [25x406x635]	(1)1x16x25 [25x406x635]	(1)1x16x25 [25x406x635]	(1)1x16x25 [25x406x635]
Refrigerant Charge Oz. [g]	96 [2722]	96 [2722]	96 [2722]	96 [2722]
Weights				
Net Weight lbs. [kg]	543 [246]	543 [246]	543 [246]	543 [246]
Ship Weight lbs. [kg]	550 [249]	550 [249]	550 [249]	550 [249]

NOTES:

- Cooling Performance is rated at 95° F ambient, 80° F entering dry bulb, 67° F entering wet bulb. Gross capacity does not include the effect of fan motor heat. AHRI capacity is net and includes the effect of fan motor heat. Units are suitable for operation to ±20% of nominal cfm. Units are certified in accordance with the Unitary Air Conditioner Equipment certification program, which is based on AHRI Standard 210/240 or 360.
- EER and/or SEER are rated at AHRI conditions and in accordance with DOE test procedures.
- Heating Performance limit settings and rating data were established and approved under laboratory test conditions using American National Standard Institute standards. Ratings shown are for elevations up to 2000 feet. For elevations above 2000 feet, ratings should be reduced at the rate of 4% for each 1000 feet above sea level.
- Outdoor Sound Rating shown is tested in accordance with AHRI Standard 270.

GENERAL DATA - RKPL MODELS

NOMINAL SIZES 3-5 TONS [10.6-17.6 kW]

Model RKPL- Series	A036JK08(E/X)	A036JK12(E/X)	A042CK08	A042CK12
Cooling Performance¹				Continued ->
Gross Cooling Capacity Btu [kW]	36,600 [10.72]	36,600 [10.72]	43,000 [12.6]	43,000 [12.6]
EER/SEER ²	12.05/14	12.05/14	12/14	12/14
Nominal CFM/AHRI Rated CFM [L/s]	1200/1200 [566/566]	1200/1200 [566/566]	1400/1450 [661/684]	1400/1450 [661/684]
AHRI Net Cooling Capacity Btu [kW]	35,800 [10.49]	35,800 [10.49]	41,500 [12.16]	41,500 [12.16]
Net Sensible Capacity Btu [kW]	27,000 [7.91]	27,000 [7.91]	31,200 [9.14]	31,200 [9.14]
Net Latent Capacity Btu [kW]	8,800 [2.58]	8,800 [2.58]	10,300 [3.02]	10,300 [3.02]
Net System Power kW	2.97	2.97	3.5	3.5
Heating Performance (Gas)⁴				
Heating Input Btu [kW]	80,000 [23.44]	120,000 [35.16]	80,000 [23.44]	120,000 [35.16]
Heating Output Btu [kW]	62,500 [18.31]	94,500 [27.69]	64,800 [18.99]	97,200 [28.48]
Temperature Rise Range °F [°C]	30-60 [16.7/33.3]	50-80 [27.8/44.4]	30-60 [16.7/33.3]	50-80 [27.8/44.4]
AFUE %	80	80	80	80
Steady State Efficiency (%)	81	81	81	81
No. Burners	4	6	4	6
No. Stages	1	1	1	1
Gas Connection Pipe Size in. [mm]	0.5 [12.7]	0.5 [12.7]	0.5 [12.7]	0.5 [12.7]
Compressor				
No./Type	1/Scroll	1/Scroll	1/Scroll	1/Scroll
Outdoor Sound Rating (dB)⁵	78	78	78	78
Outdoor Coil - Fin Type	Louvered	Louvered	Louvered	Louvered
Tube Type	Rifled	Rifled	Rifled	Rifled
Tube Size in. [mm] OD	0.375 [9.5]	0.375 [9.5]	0.375 [9.5]	0.375 [9.5]
Face Area sq. ft. [sq. m]	16.91 [1.57]	16.91 [1.57]	16.91 [1.57]	16.91 [1.57]
Rows / FPI [FPcm]	1 / 22 [9]	1 / 22 [9]	1.53 / 22 [9]	1.53 / 22 [9]
Indoor Coil - Fin Type	Corrugated	Corrugated	Corrugated	Corrugated
Tube Type	Rifled	Rifled	Rifled	Rifled
Tube Size in. [mm]	0.375 [9.5]	0.375 [9.5]	0.375 [9.5]	0.375 [9.5]
Face Area sq. ft. [sq. m]	5.17 [0.48]	5.17 [0.48]	5.17 [0.48]	5.17 [0.48]
Rows / FPI [FPcm]	2 / 17 [7]	2 / 17 [7]	3 / 13 [5]	3 / 13 [5]
Refrigerant Control	TX Valves	TX Valves	TX Valves	TX Valves
Drain Connection No./Size in. [mm]	1/0.75 [19.05]	1/0.75 [19.05]	1/0.75 [19.05]	1/0.75 [19.05]
Outdoor Fan - Type	Propeller	Propeller	Propeller	Propeller
No. Used/Diameter in. [mm]	1/24 [609.6]	1/24 [609.6]	1/24 [609.6]	1/24 [609.6]
Drive Type/No. Speeds	Direct/1	Direct/1	Direct/1	Direct/1
CFM [L/s]	3680 [1737]	3680 [1737]	3680 [1737]	3680 [1737]
No. Motors/HP	1 at 1/3 HP	1 at 1/3 HP	1 at 1/3 HP	1 at 1/3 HP
Motor RPM	1075	1075	1075	1075
Indoor Fan - Type	FC Centrifugal	FC Centrifugal	FC Centrifugal	FC Centrifugal
No. Used/Diameter in. [mm]	1/10x10 [254x254]	1/10x10 [254x254]	1/10x10 [254x254]	1/10x10 [254x254]
Drive Type/No. Speeds	Direct/4	Direct/4	Direct/4	Direct/4
No. Motors	1	1	1	1
Motor HP	1/2	1/2	3/4	3/4
Motor RPM	1075	1075	1075	1075
Motor Frame Size	48	48	48	48
Filter - Type	Disposable	Disposable	Disposable	Disposable
Furnished	Yes	Yes	Yes	Yes
(NO.) Size Recommended in. [mm x mm x mm]	(1)1x16x25 [25x406x635]	(1)1x16x25 [25x406x635]	(1)1x16x25 [25x406x635]	(1)1x16x25 [25x406x635]
	(1)1x16x25 [25x406x635]	(1)1x16x25 [25x406x635]	(1)1x16x25 [25x406x635]	(1)1x16x25 [25x406x635]
Refrigerant Charge Oz. [g]	96 [2722]	96 [2722]	125 [3544]	125 [3544]
Weights				
Net Weight lbs. [kg]	543 [246]	543 [246]	570 [259]	579 [263]
Ship Weight lbs. [kg]	550 [249]	550 [249]	577 [262]	586 [266]

NOTES:

- Cooling Performance is rated at 95° F ambient, 80° F entering dry bulb, 67° F entering wet bulb. Gross capacity does not include the effect of fan motor heat. AHRI capacity is net and includes the effect of fan motor heat. Units are suitable for operation to ±20% of nominal cfm. Units are certified in accordance with the Unitary Air Conditioner Equipment certification program, which is based on AHRI Standard 210/240 or 360.
- EER and/or SEER are rated at AHRI conditions and in accordance with DOE test procedures.
- Heating Performance limit settings and rating data were established and approved under laboratory test conditions using American National Standard Institute standards. Ratings shown are for elevations up to 2000 feet. For elevations above 2000 feet, ratings should be reduced at the rate of 4% for each 1000 feet above sea level.
- Outdoor Sound Rating shown is tested in accordance with AHRI Standard 270.

GENERAL DATA - RKPL MODELS

NOMINAL SIZES 3-5 TONS [10.6-17.6 kW]

Model RKPL- Series	A042CL08	A042CL12	A042CM08	A042CM12
Cooling Performance¹				Continued ->
Gross Cooling Capacity Btu [kW]	43,000 [12.6]	43,000 [12.6]	43,000 [12.6]	43,000 [12.6]
EER/SEER ²	12/14	12/14	12/14	12/14
Nominal CFM/AHRI Rated CFM [L/s]	1400/1450 [661/684]	1400/1450 [661/684]	1400/1450 [661/684]	1400/1450 [661/684]
AHRI Net Cooling Capacity Btu [kW]	41,500 [12.16]	41,500 [12.16]	41,500 [12.16]	41,500 [12.16]
Net Sensible Capacity Btu [kW]	31,200 [9.14]	31,200 [9.14]	31,200 [9.14]	31,200 [9.14]
Net Latent Capacity Btu [kW]	10,300 [3.02]	10,300 [3.02]	10,300 [3.02]	10,300 [3.02]
Net System Power kW	3.5	3.5	3.5	3.5
Heating Performance (Gas)⁴				
Heating Input Btu [kW]	80,000 [23.44]	120,000 [35.16]	80,000 [23.44]	120,000 [35.16]
Heating Output Btu [kW]	64,800 [18.99]	97,200 [28.48]	64,800 [18.99]	97,200 [28.48]
Temperature Rise Range °F [°C]	30-60 [16.7/33.3]	50-80 [27.8/44.4]	30-60 [16.7/33.3]	50-80 [27.8/44.4]
AFUE %	80	80	80	80
Steady State Efficiency (%)	81	81	81	81
No. Burners	4	6	4	6
No. Stages	1	1	1	1
Gas Connection Pipe Size in. [mm]	0.5 [12.7]	0.5 [12.7]	0.5 [12.7]	0.5 [12.7]
Compressor				
No./Type	1/Scroll	1/Scroll	1/Scroll	1/Scroll
Outdoor Sound Rating (dB)⁵	78	78	78	78
Outdoor Coil - Fin Type	Louvered	Louvered	Louvered	Louvered
Tube Type	Rifled	Rifled	Rifled	Rifled
Tube Size in. [mm] OD	0.375 [9.5]	0.375 [9.5]	0.375 [9.5]	0.375 [9.5]
Face Area sq. ft. [sq. m]	16.91 [1.57]	16.91 [1.57]	16.91 [1.57]	16.91 [1.57]
Rows / FPI [FPcm]	1.53 / 22 [9]	1.53 / 22 [9]	1.53 / 22 [9]	1.53 / 22 [9]
Indoor Coil - Fin Type	Corrugated	Corrugated	Corrugated	Corrugated
Tube Type	Rifled	Rifled	Rifled	Rifled
Tube Size in. [mm]	0.375 [9.5]	0.375 [9.5]	0.375 [9.5]	0.375 [9.5]
Face Area sq. ft. [sq. m]	5.17 [0.48]	5.17 [0.48]	5.17 [0.48]	5.17 [0.48]
Rows / FPI [FPcm]	3 / 13 [5]	3 / 13 [5]	3 / 13 [5]	3 / 13 [5]
Refrigerant Control	TX Valves	TX Valves	TX Valves	TX Valves
Drain Connection No./Size in. [mm]	1/0.75 [19.05]	1/0.75 [19.05]	1/0.75 [19.05]	1/0.75 [19.05]
Outdoor Fan - Type	Propeller	Propeller	Propeller	Propeller
No. Used/Diameter in. [mm]	1/24 [609.6]	1/24 [609.6]	1/24 [609.6]	1/24 [609.6]
Drive Type/No. Speeds	Direct/1	Direct/1	Direct/1	Direct/1
CFM [L/s]	3680 [1737]	3680 [1737]	3680 [1737]	3680 [1737]
No. Motors/HP	1 at 1/3 HP	1 at 1/3 HP	1 at 1/3 HP	1 at 1/3 HP
Motor RPM	1075	1075	1075	1075
Indoor Fan - Type	FC Centrifugal	FC Centrifugal	FC Centrifugal	FC Centrifugal
No. Used/Diameter in. [mm]	1/10x10 [254x254]	1/10x10 [254x254]	1/10x10 [254x254]	1/10x10 [254x254]
Drive Type/No. Speeds	Belt/Variable	Belt/Variable	Belt/Variable	Belt/Variable
No. Motors	1	1	1	1
Motor HP	1/2	1/2	1/2	1/2
Motor RPM	1725	1725	1725	1725
Motor Frame Size	48	48	48	48
Filter - Type	Disposable	Disposable	Disposable	Disposable
Furnished	Yes	Yes	Yes	Yes
(NO.) Size Recommended in. [mm x mm x mm]	(1)1x16x25 [25x406x635]	(1)1x16x25 [25x406x635]	(1)1x16x25 [25x406x635]	(1)1x16x25 [25x406x635]
Refrigerant Charge Oz. [g]	125 [3544]	125 [3544]	125 [3544]	125 [3544]
Weights				
Net Weight lbs. [kg]	570 [259]	579 [263]	570 [259]	570 [259]
Ship Weight lbs. [kg]	577 [262]	586 [266]	577 [262]	577 [262]

NOTES:

- Cooling Performance is rated at 95° F ambient, 80° F entering dry bulb, 67° F entering wet bulb. Gross capacity does not include the effect of fan motor heat. AHRI capacity is net and includes the effect of fan motor heat. Units are suitable for operation to ±20% of nominal cfm. Units are certified in accordance with the Unitary Air Conditioner Equipment certification program, which is based on AHRI Standard 210/240 or 360.
- EER and/or SEER are rated at AHRI conditions and in accordance with DOE test procedures.
- Heating Performance limit settings and rating data were established and approved under laboratory test conditions using American National Standard Institute standards. Ratings shown are for elevations up to 2000 feet. For elevations above 2000 feet, ratings should be reduced at the rate of 4% for each 1000 feet above sea level.
- Outdoor Sound Rating shown is tested in accordance with AHRI Standard 270.

GENERAL DATA - RKPL MODELS

NOMINAL SIZES 3-5 TONS [10.6-17.6 kW]

Model RKPL- Series	A042DK08	A042DK12	A042DL08	A042DL12
Cooling Performance¹				Continued ->
Gross Cooling Capacity Btu [kW]	43,000 [12.6]	43,000 [12.6]	43,000 [12.6]	43,000 [12.6]
EER/SEER ²	12/14	12/14	12/14	12/14
Nominal CFM/AHRI Rated CFM [L/s]	1400/1450 [661/684]	1400/1450 [661/684]	1400/1450 [661/684]	1400/1450 [661/684]
AHRI Net Cooling Capacity Btu [kW]	41,500 [12.16]	41,500 [12.16]	41,500 [12.16]	41,500 [12.16]
Net Sensible Capacity Btu [kW]	31,200 [9.14]	31,200 [9.14]	31,200 [9.14]	31,200 [9.14]
Net Latent Capacity Btu [kW]	10,300 [3.02]	10,300 [3.02]	10,300 [3.02]	10,300 [3.02]
Net System Power kW	3.5	3.5	3.5	3.5
Heating Performance (Gas)⁴				
Heating Input Btu [kW]	80,000 [23.44]	120,000 [35.16]	80,000 [23.44]	120,000 [35.16]
Heating Output Btu [kW]	64,800 [18.99]	97,200 [28.48]	64,800 [18.99]	97,200 [28.48]
Temperature Rise Range °F [°C]	30-60 [16.7/33.3]	50-80 [27.8/44.4]	30-60 [16.7/33.3]	50-80 [27.8/44.4]
AFUE %	80	80	80	80
Steady State Efficiency (%)	81	81	81	81
No. Burners	4	6	4	6
No. Stages	1	1	1	1
Gas Connection Pipe Size in. [mm]	0.5 [12.7]	0.5 [12.7]	0.5 [12.7]	0.5 [12.7]
Compressor				
No./Type	1/Scroll	1/Scroll	1/Scroll	1/Scroll
Outdoor Sound Rating (dB)⁵	78	78	78	78
Outdoor Coil - Fin Type	Louvered	Louvered	Louvered	Louvered
Tube Type	Rifled	Rifled	Rifled	Rifled
Tube Size in. [mm] OD	0.375 [9.5]	0.375 [9.5]	0.375 [9.5]	0.375 [9.5]
Face Area sq. ft. [sq. m]	16.91 [1.57]	16.91 [1.57]	16.91 [1.57]	16.91 [1.57]
Rows / FPI [FPcm]	1.53 / 22 [9]	1.53 / 22 [9]	1.53 / 22 [9]	1.53 / 22 [9]
Indoor Coil - Fin Type	Corrugated	Corrugated	Corrugated	Corrugated
Tube Type	Rifled	Rifled	Rifled	Rifled
Tube Size in. [mm]	0.375 [9.5]	0.375 [9.5]	0.375 [9.5]	0.375 [9.5]
Face Area sq. ft. [sq. m]	5.17 [0.48]	5.17 [0.48]	5.17 [0.48]	5.17 [0.48]
Rows / FPI [FPcm]	3 / 13 [5]	3 / 13 [5]	3 / 13 [5]	3 / 13 [5]
Refrigerant Control	TX Valves	TX Valves	TX Valves	TX Valves
Drain Connection No./Size in. [mm]	1/0.75 [19.05]	1/0.75 [19.05]	1/0.75 [19.05]	1/0.75 [19.05]
Outdoor Fan - Type	Propeller	Propeller	Propeller	Propeller
No. Used/Diameter in. [mm]	1/24 [609.6]	1/24 [609.6]	1/24 [609.6]	1/24 [609.6]
Drive Type/No. Speeds	Direct/1	Direct/1	Direct/1	Direct/1
CFM [L/s]	3680 [1737]	3680 [1737]	3680 [1737]	3680 [1737]
No. Motors/HP	1 at 1/3 HP	1 at 1/3 HP	1 at 1/3 HP	1 at 1/3 HP
Motor RPM	1075	1075	1075	1075
Indoor Fan - Type	FC Centrifugal	FC Centrifugal	FC Centrifugal	FC Centrifugal
No. Used/Diameter in. [mm]	1/10x10 [254x254]	1/10x10 [254x254]	1/10x10 [254x254]	1/10x10 [254x254]
Drive Type/No. Speeds	Direct/4	Direct/4	Belt/Variable	Belt/Variable
No. Motors	1	1	1	1
Motor HP	3/4	3/4	1/2	1/2
Motor RPM	1075	1075	1725	1725
Motor Frame Size	48	48	48	48
Filter - Type	Disposable	Disposable	Disposable	Disposable
Furnished	Yes	Yes	Yes	Yes
(NO.) Size Recommended in. [mm x mm x mm]	(1)1x16x25 [25x406x635]	(1)1x16x25 [25x406x635]	(1)1x16x25 [25x406x635]	(1)1x16x25 [25x406x635]
Refrigerant Charge Oz. [g]	125 [3544]	125 [3544]	125 [3544]	125 [3544]
Weights				
Net Weight lbs. [kg]	570 [259]	579 [263]	570 [259]	570 [259]
Ship Weight lbs. [kg]	577 [262]	586 [266]	577 [262]	577 [262]

NOTES:

- Cooling Performance is rated at 95° F ambient, 80° F entering dry bulb, 67° F entering wet bulb. Gross capacity does not include the effect of fan motor heat. AHRI capacity is net and includes the effect of fan motor heat. Units are suitable for operation to ±20% of nominal cfm. Units are certified in accordance with the Unitary Air Conditioner Equipment certification program, which is based on AHRI Standard 210/240 or 360.
- EER and/or SEER are rated at AHRI conditions and in accordance with DOE test procedures.
- Heating Performance limit settings and rating data were established and approved under laboratory test conditions using American National Standard Institute standards. Ratings shown are for elevations up to 2000 feet. For elevations above 2000 feet, ratings should be reduced at the rate of 4% for each 1000 feet above sea level.
- Outdoor Sound Rating shown is tested in accordance with AHRI Standard 270.

GENERAL DATA - RKPL MODELS

NOMINAL SIZES 3-5 TONS [10.6-17.6 kW]

Model RKPL- Series	A042DM08	A042DM12	A042JK08(E/X)	A042JK12(E/X)
Cooling Performance¹				Continued ->
Gross Cooling Capacity Btu [kW]	43,000 [12.6]	43,000 [12.6]	43,000 [12.6]	43,000 [12.6]
EER/SEER ²	12/14	12/14	12/14	12/14
Nominal CFM/AHRI Rated CFM [L/s]	1400/1450 [661/684]	1400/1450 [661/684]	1400/1450 [661/684]	1400/1450 [661/684]
AHRI Net Cooling Capacity Btu [kW]	41,500 [12.16]	41,500 [12.16]	41,500 [12.16]	41,500 [12.16]
Net Sensible Capacity Btu [kW]	31,200 [9.14]	31,200 [9.14]	31,200 [9.14]	31,200 [9.14]
Net Latent Capacity Btu [kW]	10,300 [3.02]	10,300 [3.02]	10,300 [3.02]	10,300 [3.02]
Net System Power kW	3.5	3.5	3.5	3.5
Heating Performance (Gas)⁴				
Heating Input Btu [kW]	80,000 [23.44]	120,000 [35.16]	80,000 [23.44]	120,000 [35.16]
Heating Output Btu [kW]	64,800 [18.99]	97,200 [28.48]	62,500 [18.31]	94,500 [27.69]
Temperature Rise Range °F [°C]	30-60 [16.7/33.3]	50-80 [27.8/44.4]	30-60 [16.7/33.3]	50-80 [27.8/44.4]
AFUE %	80	80	80	80
Steady State Efficiency (%)	81	81	81	81
No. Burners	4	6	4	6
No. Stages	1	1	1	1
Gas Connection Pipe Size in. [mm]	0.5 [12.7]	0.5 [12.7]	0.5 [12.7]	0.5 [12.7]
Compressor				
No./Type	1/Scroll	1/Scroll	1/Scroll	1/Scroll
Outdoor Sound Rating (dB)⁵	78	78	78	78
Outdoor Coil - Fin Type	Louvered	Louvered	Louvered	Louvered
Tube Type	Rifled	Rifled	Rifled	Rifled
Tube Size in. [mm] OD	0.375 [9.5]	0.375 [9.5]	0.375 [9.5]	0.375 [9.5]
Face Area sq. ft. [sq. m]	16.91 [1.57]	16.91 [1.57]	16.91 [1.57]	16.91 [1.57]
Rows / FPI [FPcm]	1.53 / 22 [9]	1.53 / 22 [9]	1.53 / 22 [9]	1.53 / 22 [9]
Indoor Coil - Fin Type	Corrugated	Corrugated	Corrugated	Corrugated
Tube Type	Rifled	Rifled	Rifled	Rifled
Tube Size in. [mm]	0.375 [9.5]	0.375 [9.5]	0.375 [9.5]	0.375 [9.5]
Face Area sq. ft. [sq. m]	5.17 [0.48]	5.17 [0.48]	5.17 [0.48]	5.17 [0.48]
Rows / FPI [FPcm]	3 / 13 [5]	3 / 13 [5]	3 / 13 [5]	3 / 13 [5]
Refrigerant Control	TX Valves	TX Valves	TX Valves	TX Valves
Drain Connection No./Size in. [mm]	1/0.75 [19.05]	1/0.75 [19.05]	1/0.75 [19.05]	1/0.75 [19.05]
Outdoor Fan - Type	Propeller	Propeller	Propeller	Propeller
No. Used/Diameter in. [mm]	1/24 [609.6]	1/24 [609.6]	1/24 [609.6]	1/24 [609.6]
Drive Type/No. Speeds	Direct/1	Direct/1	Direct/1	Direct/1
CFM [L/s]	3680 [1737]	3680 [1737]	3680 [1737]	3680 [1737]
No. Motors/HP	1 at 1/3 HP	1 at 1/3 HP	1 at 1/3 HP	1 at 1/3 HP
Motor RPM	1075	1075	1075	1075
Indoor Fan - Type	FC Centrifugal	FC Centrifugal	FC Centrifugal	FC Centrifugal
No. Used/Diameter in. [mm]	1/10x10 [254x254]	1/10x10 [254x254]	1/10x10 [254x254]	1/10x10 [254x254]
Drive Type/No. Speeds	Belt/Variable	Belt/Variable	Direct/4	Direct/4
No. Motors	1	1	1	1
Motor HP	1/2	1/2	3/4	3/4
Motor RPM	1725	1725	1075	1075
Motor Frame Size	48	48	48	48
Filter - Type	Disposable	Disposable	Disposable	Disposable
Furnished	Yes	Yes	Yes	Yes
(NO.) Size Recommended in. [mm x mm x mm]	(1)1x16x25 [25x406x635]	(1)1x16x25 [25x406x635]	(1)1x16x25 [25x406x635]	(1)1x16x25 [25x406x635]
Refrigerant Charge Oz. [g]	125 [3544]	125 [3544]	125 [3544]	125 [3544]
Weights				
Net Weight lbs. [kg]	570 [259]	570 [259]	570 [259]	579 [263]
Ship Weight lbs. [kg]	577 [262]	577 [262]	577 [262]	586 [266]

NOTES:

- Cooling Performance is rated at 95° F ambient, 80° F entering dry bulb, 67° F entering wet bulb. Gross capacity does not include the effect of fan motor heat. AHRI capacity is net and includes the effect of fan motor heat. Units are suitable for operation to ±20% of nominal cfm. Units are certified in accordance with the Unitary Air Conditioner Equipment certification program, which is based on AHRI Standard 210/240 or 360.
- EER and/or SEER are rated at AHRI conditions and in accordance with DOE test procedures.
- Heating Performance limit settings and rating data were established and approved under laboratory test conditions using American National Standard Institute standards. Ratings shown are for elevations up to 2000 feet. For elevations above 2000 feet, ratings should be reduced at the rate of 4% for each 1000 feet above sea level.
- Outdoor Sound Rating shown is tested in accordance with AHRI Standard 270.

GENERAL DATA - RKPL MODELS

NOMINAL SIZES 3-5 TONS [10.6-17.6 kW]

Model RKPL- Series	A048CK08	A048CK10	A048CK13	A048CL08
Cooling Performance¹				Continued ->
Gross Cooling Capacity Btu [kW]	50,500 [14.8]	50,500 [14.8]	50,500 [14.8]	50,500 [14.8]
EER/SEER ²	12.15/14	12.15/14	12.15/14	12.15/14
Nominal CFM/AHRI Rated CFM [L/s]	1600/1600 [755/755]	1600/1600 [755/755]	1600/1600 [755/755]	1600/1600 [755/755]
AHRI Net Cooling Capacity Btu [kW]	49,000 [14.36]	49,000 [14.36]	49,000 [14.36]	49,000 [14.36]
Net Sensible Capacity Btu [kW]	36,400 [10.67]	36,400 [10.67]	36,400 [10.67]	36,400 [10.67]
Net Latent Capacity Btu [kW]	12,600 [3.69]	12,600 [3.69]	12,600 [3.69]	12,600 [3.69]
Net System Power kW	4.03	4.03	4.03	4.03
Heating Performance (Gas)⁴				
Heating Input Btu [kW]	80,000 [23.44]	100,000 [29.3]	135,000 [39.55]	80,000 [23.44]
Heating Output Btu [kW]	64,800 [18.99]	81,000 [23.73]	109,400 [32.05]	64,800 [18.99]
Temperature Rise Range °F [°C]	30-60 [16.7/33.3]	40-70 [22.2/38.9]	50-80 [27.8/44.4]	30-60 [16.7/33.3]
AFUE %	80	80	80	80
Steady State Efficiency (%)	81	81	81	81
No. Burners	4	5	6	4
No. Stages	1	1	1	1
Gas Connection Pipe Size in. [mm]	0.5 [12.7]	0.5 [12.7]	0.5 [12.7]	0.5 [12.7]
Compressor				
No./Type	1/Scroll	1/Scroll	1/Scroll	1/Scroll
Outdoor Sound Rating (dB)⁵	78	78	78	78
Outdoor Coil - Fin Type	Louvered	Louvered	Louvered	Louvered
Tube Type	Rifled	Rifled	Rifled	Rifled
Tube Size in. [mm] OD	0.375 [9.5]	0.375 [9.5]	0.375 [9.5]	0.375 [9.5]
Face Area sq. ft. [sq. m]	16.56 [1.54]	16.56 [1.54]	16.56 [1.54]	16.56 [1.54]
Rows / FPI [FPcm]	2 / 22 [9]	2 / 22 [9]	2 / 22 [9]	2 / 22 [9]
Indoor Coil - Fin Type	Corrugated	Corrugated	Corrugated	Corrugated
Tube Type	Rifled	Rifled	Rifled	Rifled
Tube Size in. [mm]	0.375 [9.5]	0.375 [9.5]	0.375 [9.5]	0.375 [9.5]
Face Area sq. ft. [sq. m]	5.17 [0.48]	5.17 [0.48]	5.17 [0.48]	5.17 [0.48]
Rows / FPI [FPcm]	3 / 15 [6]	3 / 15 [6]	3 / 15 [6]	3 / 15 [6]
Refrigerant Control	TX Valves	TX Valves	TX Valves	TX Valves
Drain Connection No./Size in. [mm]	1/0.75 [19.05]	1/0.75 [19.05]	1/0.75 [19.05]	1/0.75 [19.05]
Outdoor Fan - Type	Propeller	Propeller	Propeller	Propeller
No. Used/Diameter in. [mm]	1/24 [609.6]	1/24 [609.6]	1/24 [609.6]	1/24 [609.6]
Drive Type/No. Speeds	Direct/1	Direct/1	Direct/1	Direct/1
CFM [L/s]	3680 [1737]	3680 [1737]	3680 [1737]	3680 [1737]
No. Motors/HP	1 at 1/3 HP	1 at 1/3 HP	1 at 1/3 HP	1 at 1/3 HP
Motor RPM	1075	1075	1075	1075
Indoor Fan - Type	FC Centrifugal	FC Centrifugal	FC Centrifugal	FC Centrifugal
No. Used/Diameter in. [mm]	1/10x10 [254x254]	1/10x10 [254x254]	1/10x10 [254x254]	1/10x10 [254x254]
Drive Type/No. Speeds	Direct/4	Direct/4	Direct/4	Belt/Variable
No. Motors	1	1	1	1
Motor HP	3/4	3/4	3/4	1/2
Motor RPM	1075	1075	1075	1725
Motor Frame Size	48	48	48	48
Filter - Type	Disposable	Disposable	Disposable	Disposable
Furnished	Yes	Yes	Yes	Yes
(NO.) Size Recommended in. [mm x mm x mm]	(1)1x16x25 [25x406x635]	(1)1x16x25 [25x406x635]	(1)1x16x25 [25x406x635]	(1)1x16x25 [25x406x635]
Refrigerant Charge Oz. [g]	165 [4678]	165 [4678]	165 [4678]	165 [4678]
Weights				
Net Weight lbs. [kg]	580 [263]	580 [263]	585 [265]	580 [263]
Ship Weight lbs. [kg]	587 [266]	587 [266]	592 [269]	587 [266]

NOTES:

- Cooling Performance is rated at 95° F ambient, 80° F entering dry bulb, 67° F entering wet bulb. Gross capacity does not include the effect of fan motor heat. AHRI capacity is net and includes the effect of fan motor heat. Units are suitable for operation to ±20% of nominal cfm. Units are certified in accordance with the Unitary Air Conditioner Equipment certification program, which is based on AHRI Standard 210/240 or 360.
- EER and/or SEER are rated at AHRI conditions and in accordance with DOE test procedures.
- Heating Performance limit settings and rating data were established and approved under laboratory test conditions using American National Standard Institute standards. Ratings shown are for elevations up to 2000 feet. For elevations above 2000 feet, ratings should be reduced at the rate of 4% for each 1000 feet above sea level.
- Outdoor Sound Rating shown is tested in accordance with AHRI Standard 270.

GENERAL DATA - RKPL MODELS

NOMINAL SIZES 3-5 TONS [10.6-17.6 kW]

Model RKPL- Series	A048CL10	A048CL13	A048CM08	A048CM10
Cooling Performance¹				Continued ->
Gross Cooling Capacity Btu [kW]	50,500 [14.8]	50,500 [14.8]	50,500 [14.8]	50,500 [14.8]
EER/SEER ²	12.15/14	12.15/14	12.15/14	12.15/14
Nominal CFM/AHRI Rated CFM [L/s]	1600/1600 [755/755]	1600/1600 [755/755]	1600/1600 [755/755]	1600/1600 [755/755]
AHRI Net Cooling Capacity Btu [kW]	49,000 [14.36]	49,000 [14.36]	49,000 [14.36]	49,000 [14.36]
Net Sensible Capacity Btu [kW]	36,400 [10.67]	36,400 [10.67]	36,400 [10.67]	36,400 [10.67]
Net Latent Capacity Btu [kW]	12,600 [3.69]	12,600 [3.69]	12,600 [3.69]	12,600 [3.69]
Net System Power kW	4.03	4.03	4.03	4.03
Heating Performance (Gas)⁴				
Heating Input Btu [kW]	100,000 [29.3]	135,000 [39.55]	80,000 [23.44]	100,000 [29.3]
Heating Output Btu [kW]	81,000 [23.73]	109,400 [32.05]	64,800 [18.99]	81,000 [23.73]
Temperature Rise Range °F [°C]	30-60 [16.7/33.3]	50-80 [27.8/44.4]	30-60 [16.7/33.3]	30-60 [16.7/33.3]
AFUE %	80	80	80	80
Steady State Efficiency (%)	81	81	81	81
No. Burners	5	6	4	5
No. Stages	1	1	1	1
Gas Connection Pipe Size in. [mm]	0.5 [12.7]	0.5 [12.7]	0.5 [12.7]	0.5 [12.7]
Compressor				
No./Type	1/Scroll	1/Scroll	1/Scroll	1/Scroll
Outdoor Sound Rating (dB)⁵	78	78	78	78
Outdoor Coil - Fin Type	Louvered	Louvered	Louvered	Louvered
Tube Type	Rifled	Rifled	Rifled	Rifled
Tube Size in. [mm] OD	0.375 [9.5]	0.375 [9.5]	0.375 [9.5]	0.375 [9.5]
Face Area sq. ft. [sq. m]	16.56 [1.54]	16.56 [1.54]	16.56 [1.54]	16.56 [1.54]
Rows / FPI [FPcm]	2 / 22 [9]	2 / 22 [9]	2 / 22 [9]	2 / 22 [9]
Indoor Coil - Fin Type	Corrugated	Corrugated	Corrugated	Corrugated
Tube Type	Rifled	Rifled	Rifled	Rifled
Tube Size in. [mm]	0.375 [9.5]	0.375 [9.5]	0.375 [9.5]	0.375 [9.5]
Face Area sq. ft. [sq. m]	5.17 [0.48]	5.17 [0.48]	5.17 [0.48]	5.17 [0.48]
Rows / FPI [FPcm]	3 / 15 [6]	3 / 15 [6]	3 / 15 [6]	3 / 15 [6]
Refrigerant Control	TX Valves	TX Valves	TX Valves	TX Valves
Drain Connection No./Size in. [mm]	1/0.75 [19.05]	1/0.75 [19.05]	1/0.75 [19.05]	1/0.75 [19.05]
Outdoor Fan - Type	Propeller	Propeller	Propeller	Propeller
No. Used/Diameter in. [mm]	1/24 [609.6]	1/24 [609.6]	1/24 [609.6]	1/24 [609.6]
Drive Type/No. Speeds	Direct/1	Direct/1	Direct/1	Direct/1
CFM [L/s]	3680 [1737]	3680 [1737]	3680 [1737]	3680 [1737]
No. Motors/HP	1 at 1/3 HP	1 at 1/3 HP	1 at 1/3 HP	1 at 1/3 HP
Motor RPM	1075	1075	1075	1075
Indoor Fan - Type	FC Centrifugal	FC Centrifugal	FC Centrifugal	FC Centrifugal
No. Used/Diameter in. [mm]	1/10x10 [254x254]	1/10x10 [254x254]	1/10x10 [254x254]	1/10x10 [254x254]
Drive Type/No. Speeds	Belt/Variable	Belt/Variable	Belt/Variable	Belt/Variable
No. Motors	1	1	1	1
Motor HP	1/2	1/2	3/4	3/4
Motor RPM	1725	1725	1725	1725
Motor Frame Size	48	48	56	56
Filter - Type	Disposable	Disposable	Disposable	Disposable
Furnished	Yes	Yes	Yes	Yes
(NO.) Size Recommended in. [mm x mm x mm]	(1)1x16x25 [25x406x635]	(1)1x16x25 [25x406x635]	(1)1x16x25 [25x406x635]	(1)1x16x25 [25x406x635]
Refrigerant Charge Oz. [g]	165 [4678]	165 [4678]	165 [4678]	165 [4678]
Weights				
Net Weight lbs. [kg]	580 [263]	585 [265]	580 [263]	580 [263]
Ship Weight lbs. [kg]	587 [266]	592 [269]	587 [266]	587 [266]

NOTES:

- Cooling Performance is rated at 95° F ambient, 80° F entering dry bulb, 67° F entering wet bulb. Gross capacity does not include the effect of fan motor heat. AHRI capacity is net and includes the effect of fan motor heat. Units are suitable for operation to ±20% of nominal cfm. Units are certified in accordance with the Unitary Air Conditioner Equipment certification program, which is based on AHRI Standard 210/240 or 360.
- EER and/or SEER are rated at AHRI conditions and in accordance with DOE test procedures.
- Heating Performance limit settings and rating data were established and approved under laboratory test conditions using American National Standard Institute standards. Ratings shown are for elevations up to 2000 feet. For elevations above 2000 feet, ratings should be reduced at the rate of 4% for each 1000 feet above sea level.
- Outdoor Sound Rating shown is tested in accordance with AHRI Standard 270.

GENERAL DATA - RKPL MODELS

NOMINAL SIZES 3-5 TONS [10.6-17.6 kW]

Model RKPL- Series	A048CM13	A048DK08	A048DK10	A048DK13
Cooling Performance¹				Continued ->
Gross Cooling Capacity Btu [kW]	50,500 [14.8]	50,500 [14.8]	50,500 [14.8]	50,500 [14.8]
EER/SEER ²	12.15/14	12.15/14	12.15/14	12.15/14
Nominal CFM/AHRI Rated CFM [L/s]	1600/1600 [755/755]	1600/1600 [755/755]	1600/1600 [755/755]	1600/1600 [755/755]
AHRI Net Cooling Capacity Btu [kW]	49,000 [14.36]	49,000 [14.36]	49,000 [14.36]	49,000 [14.36]
Net Sensible Capacity Btu [kW]	36,400 [10.67]	36,400 [10.67]	36,400 [10.67]	36,400 [10.67]
Net Latent Capacity Btu [kW]	12,600 [3.69]	12,600 [3.69]	12,600 [3.69]	12,600 [3.69]
Net System Power kW	4.03	4.03	4.03	4.03
Heating Performance (Gas)⁴				
Heating Input Btu [kW]	135,000 [39.55]	80,000 [23.44]	100,000 [29.3]	135,000 [39.55]
Heating Output Btu [kW]	109,400 [32.05]	64,800 [18.99]	81,000 [23.73]	109,400 [32.05]
Temperature Rise Range °F [°C]	50-80 [27.8/44.4]	30-60 [16.7/33.3]	40-70 [22.2/38.9]	50-80 [27.8/44.4]
AFUE %	80	80	80	80
Steady State Efficiency (%)	81	81	81	81
No. Burners	6	4	5	6
No. Stages	1	1	1	1
Gas Connection Pipe Size in. [mm]	0.5 [12.7]	0.5 [12.7]	0.5 [12.7]	0.5 [12.7]
Compressor				
No./Type	1/Scroll	1/Scroll	1/Scroll	1/Scroll
Outdoor Sound Rating (dB)⁵				
	78	78	78	78
Outdoor Coil - Fin Type				
Tube Type	Louvered	Louvered	Louvered	Louvered
Tube Size in. [mm] OD	Rifled	Rifled	Rifled	Rifled
Face Area sq. ft. [sq. m]	0.375 [9.5]	0.375 [9.5]	0.375 [9.5]	0.375 [9.5]
Rows / FPI [FPcm]	16.56 [1.54]	16.56 [1.54]	16.56 [1.54]	16.56 [1.54]
	2 / 22 [9]	2 / 22 [9]	2 / 22 [9]	2 / 22 [9]
Indoor Coil - Fin Type				
Tube Type	Corrugated	Corrugated	Corrugated	Corrugated
Tube Size in. [mm]	Rifled	Rifled	Rifled	Rifled
Face Area sq. ft. [sq. m]	0.375 [9.5]	0.375 [9.5]	0.375 [9.5]	0.375 [9.5]
Rows / FPI [FPcm]	5.17 [0.48]	5.17 [0.48]	5.17 [0.48]	5.17 [0.48]
	3 / 15 [6]	3 / 15 [6]	3 / 15 [6]	3 / 15 [6]
Refrigerant Control	TX Valves	TX Valves	TX Valves	TX Valves
Drain Connection No./Size in. [mm]	1/0.75 [19.05]	1/0.75 [19.05]	1/0.75 [19.05]	1/0.75 [19.05]
Outdoor Fan - Type				
No. Used/Diameter in. [mm]	Propeller	Propeller	Propeller	Propeller
Drive Type/No. Speeds	1/24 [609.6]	1/24 [609.6]	1/24 [609.6]	1/24 [609.6]
CFM [L/s]	Direct/1	Direct/1	Direct/1	Direct/1
No. Motors/HP	3680 [1737]	3680 [1737]	3680 [1737]	3680 [1737]
Motor RPM	1 at 1/3 HP	1 at 1/3 HP	1 at 1/3 HP	1 at 1/3 HP
	1075	1075	1075	1075
Indoor Fan - Type				
No. Used/Diameter in. [mm]	FC Centrifugal	FC Centrifugal	FC Centrifugal	FC Centrifugal
Drive Type/No. Speeds	1/10x10 [254x254]	1/10x10 [254x254]	1/10x10 [254x254]	1/10x10 [254x254]
No. Motors	Belt/Variable	Direct/4	Direct/4	Direct/4
Motor HP	1	1	1	1
Motor RPM	3/4	3/4	3/4	3/4
Motor Frame Size	1725	1075	1075	1075
	56	48	48	48
Filter - Type				
Furnished	Disposable	Disposable	Disposable	Disposable
(NO.) Size Recommended in. [mm x mm x mm]	Yes	Yes	Yes	Yes
	(1)1x16x25 [25x406x635]	(1)1x16x25 [25x406x635]	(1)1x16x25 [25x406x635]	(1)1x16x25 [25x406x635]
	(1)1x16x25 [25x406x635]	(1)1x16x25 [25x406x635]	(1)1x16x25 [25x406x635]	(1)1x16x25 [25x406x635]
Refrigerant Charge Oz. [g]				
	165 [4678]	165 [4678]	165 [4678]	165 [4678]
Weights				
Net Weight lbs. [kg]	580 [263]	580 [263]	580 [263]	585 [265]
Ship Weight lbs. [kg]	587 [266]	587 [266]	587 [266]	592 [269]

NOTES:

- Cooling Performance is rated at 95° F ambient, 80° F entering dry bulb, 67° F entering wet bulb. Gross capacity does not include the effect of fan motor heat. AHRI capacity is net and includes the effect of fan motor heat. Units are suitable for operation to ±20% of nominal cfm. Units are certified in accordance with the Unitary Air Conditioner Equipment certification program, which is based on AHRI Standard 210/240 or 360.
- EER and/or SEER are rated at AHRI conditions and in accordance with DOE test procedures.
- Heating Performance limit settings and rating data were established and approved under laboratory test conditions using American National Standard Institute standards. Ratings shown are for elevations up to 2000 feet. For elevations above 2000 feet, ratings should be reduced at the rate of 4% for each 1000 feet above sea level.
- Outdoor Sound Rating shown is tested in accordance with AHRI Standard 270.

GENERAL DATA - RKPL MODELS

NOMINAL SIZES 3-5 TONS [10.6-17.6 kW]

Model RKPL- Series	A048DL08	A048DL10	A048DL13	A048DM08
Cooling Performance¹				Continued ->
Gross Cooling Capacity Btu [kW]	50,500 [14.8]	50,500 [14.8]	50,500 [14.8]	50,500 [14.8]
EER/SEER ²	12.15/14	12.15/14	12.15/14	12.15/14
Nominal CFM/AHRI Rated CFM [L/s]	1600/1600 [755/755]	1600/1600 [755/755]	1600/1600 [755/755]	1600/1600 [755/755]
AHRI Net Cooling Capacity Btu [kW]	49,000 [14.36]	49,000 [14.36]	49,000 [14.36]	49,000 [14.36]
Net Sensible Capacity Btu [kW]	36,400 [10.67]	36,400 [10.67]	36,400 [10.67]	36,400 [10.67]
Net Latent Capacity Btu [kW]	12,600 [3.69]	12,600 [3.69]	12,600 [3.69]	12,600 [3.69]
Net System Power kW	4.03	4.03	4.03	4.03
Heating Performance (Gas)⁴				
Heating Input Btu [kW]	80,000 [23.44]	100,000 [29.3]	135,000 [39.55]	80,000 [23.44]
Heating Output Btu [kW]	64,800 [18.99]	81,000 [23.73]	109,400 [32.05]	64,800 [18.99]
Temperature Rise Range °F [°C]	30-60 [16.7/33.3]	30-60 [16.7/33.3]	50-80 [27.8/44.4]	30-60 [16.7/33.3]
AFUE %	80	80	80	80
Steady State Efficiency (%)	81	81	81	81
No. Burners	4	5	6	4
No. Stages	1	1	1	1
Gas Connection Pipe Size in. [mm]	0.5 [12.7]	0.5 [12.7]	0.5 [12.7]	0.5 [12.7]
Compressor				
No./Type	1/Scroll	1/Scroll	1/Scroll	1/Scroll
Outdoor Sound Rating (dB)⁵	78	78	78	78
Outdoor Coil - Fin Type	Louvered	Louvered	Louvered	Louvered
Tube Type	Rifled	Rifled	Rifled	Rifled
Tube Size in. [mm] OD	0.375 [9.5]	0.375 [9.5]	0.375 [9.5]	0.375 [9.5]
Face Area sq. ft. [sq. m]	16.56 [1.54]	16.56 [1.54]	16.56 [1.54]	16.56 [1.54]
Rows / FPI [FPcm]	2 / 22 [9]	2 / 22 [9]	2 / 22 [9]	2 / 22 [9]
Indoor Coil - Fin Type	Corrugated	Corrugated	Corrugated	Corrugated
Tube Type	Rifled	Rifled	Rifled	Rifled
Tube Size in. [mm]	0.375 [9.5]	0.375 [9.5]	0.375 [9.5]	0.375 [9.5]
Face Area sq. ft. [sq. m]	5.17 [0.48]	5.17 [0.48]	5.17 [0.48]	5.17 [0.48]
Rows / FPI [FPcm]	3 / 15 [6]	3 / 15 [6]	3 / 15 [6]	3 / 15 [6]
Refrigerant Control	TX Valves	TX Valves	TX Valves	TX Valves
Drain Connection No./Size in. [mm]	1/0.75 [19.05]	1/0.75 [19.05]	1/0.75 [19.05]	1/0.75 [19.05]
Outdoor Fan - Type	Propeller	Propeller	Propeller	Propeller
No. Used/Diameter in. [mm]	1/24 [609.6]	1/24 [609.6]	1/24 [609.6]	1/24 [609.6]
Drive Type/No. Speeds	Direct/1	Direct/1	Direct/1	Direct/1
CFM [L/s]	3680 [1737]	3680 [1737]	3680 [1737]	3680 [1737]
No. Motors/HP	1 at 1/3 HP	1 at 1/3 HP	1 at 1/3 HP	1 at 1/3 HP
Motor RPM	1075	1075	1075	1075
Indoor Fan - Type	FC Centrifugal	FC Centrifugal	FC Centrifugal	FC Centrifugal
No. Used/Diameter in. [mm]	1/10x10 [254x254]	1/10x10 [254x254]	1/10x10 [254x254]	1/10x10 [254x254]
Drive Type/No. Speeds	Belt/Variable	Belt/Variable	Belt/Variable	Belt/Variable
No. Motors	1	1	1	1
Motor HP	1/2	1/2	1/2	3/4
Motor RPM	1725	1725	1725	1725
Motor Frame Size	48	48	48	56
Filter - Type	Disposable	Disposable	Disposable	Disposable
Furnished	Yes	Yes	Yes	Yes
(NO.) Size Recommended in. [mm x mm x mm]	(1)1x16x25 [25x406x635]	(1)1x16x25 [25x406x635]	(1)1x16x25 [25x406x635]	(1)1x16x25 [25x406x635]
Refrigerant Charge Oz. [g]	165 [4678]	165 [4678]	165 [4678]	165 [4678]
Weights				
Net Weight lbs. [kg]	580 [263]	580 [263]	585 [265]	580 [263]
Ship Weight lbs. [kg]	587 [266]	587 [266]	592 [269]	587 [266]

NOTES:

- Cooling Performance is rated at 95° F ambient, 80° F entering dry bulb, 67° F entering wet bulb. Gross capacity does not include the effect of fan motor heat. AHRI capacity is net and includes the effect of fan motor heat. Units are suitable for operation to ±20% of nominal cfm. Units are certified in accordance with the Unitary Air Conditioner Equipment certification program, which is based on AHRI Standard 210/240 or 360.
- EER and/or SEER are rated at AHRI conditions and in accordance with DOE test procedures.
- Heating Performance limit settings and rating data were established and approved under laboratory test conditions using American National Standard Institute standards. Ratings shown are for elevations up to 2000 feet. For elevations above 2000 feet, ratings should be reduced at the rate of 4% for each 1000 feet above sea level.
- Outdoor Sound Rating shown is tested in accordance with AHRI Standard 270.

GENERAL DATA - RKPL MODELS

NOMINAL SIZES 3-5 TONS [10.6-17.6 kW]

Model RKPL- Series	A048DM10	A048DM13	A048JK08(E/X)	A048JK10(E/X)
Cooling Performance¹				Continued ->
Gross Cooling Capacity Btu [kW]	50,500 [14.8]	50,500 [14.8]	50,500 [14.8]	50,500 [14.8]
EER/SEER ²	12.15/14	12.15/14	12.15/14	12.15/14
Nominal CFM/AHRI Rated CFM [L/s]	1600/1600 [755/755]	1600/1600 [755/755]	1600/1600 [755/755]	1600/1600 [755/755]
AHRI Net Cooling Capacity Btu [kW]	49,000 [14.36]	49,000 [14.36]	49,000 [14.36]	49,000 [14.36]
Net Sensible Capacity Btu [kW]	36,400 [10.67]	36,400 [10.67]	36,400 [10.67]	36,400 [10.67]
Net Latent Capacity Btu [kW]	12,600 [3.69]	12,600 [3.69]	12,600 [3.69]	12,600 [3.69]
Net System Power kW	4.03	4.03	4.03	4.03
Heating Performance (Gas)⁴				
Heating Input Btu [kW]	100,000 [29.3]	135,000 [39.55]	80,000 [23.44]	100,000 [29.3]
Heating Output Btu [kW]	81,000 [23.73]	109,400 [32.05]	62,500 [18.31]	78,500 [23]
Temperature Rise Range °F [°C]	30-60 [16.7/33.3]	50-80 [27.8/44.4]	30-60 [16.7/33.3]	40-70 [22.2/38.9]
AFUE %	80	80	80	80
Steady State Efficiency (%)	81	81	81	81
No. Burners	5	6	4	5
No. Stages	1	1	1	1
Gas Connection Pipe Size in. [mm]	0.5 [12.7]	0.5 [12.7]	0.5 [12.7]	0.5 [12.7]
Compressor				
No./Type	1/Scroll	1/Scroll	1/Scroll	1/Scroll
Outdoor Sound Rating (dB)⁵	78	78	78	78
Outdoor Coil - Fin Type	Louvered	Louvered	Louvered	Louvered
Tube Type	Rifled	Rifled	Rifled	Rifled
Tube Size in. [mm] OD	0.375 [9.5]	0.375 [9.5]	0.375 [9.5]	0.375 [9.5]
Face Area sq. ft. [sq. m]	16.56 [1.54]	16.56 [1.54]	16.56 [1.54]	16.56 [1.54]
Rows / FPI [FPcm]	2 / 22 [9]	2 / 22 [9]	2 / 22 [9]	2 / 22 [9]
Indoor Coil - Fin Type	Corrugated	Corrugated	Corrugated	Corrugated
Tube Type	Rifled	Rifled	Rifled	Rifled
Tube Size in. [mm]	0.375 [9.5]	0.375 [9.5]	0.375 [9.5]	0.375 [9.5]
Face Area sq. ft. [sq. m]	5.17 [0.48]	5.17 [0.48]	5.17 [0.48]	5.17 [0.48]
Rows / FPI [FPcm]	3 / 15 [6]	3 / 15 [6]	3 / 15 [6]	3 / 15 [6]
Refrigerant Control	TX Valves	TX Valves	TX Valves	TX Valves
Drain Connection No./Size in. [mm]	1/0.75 [19.05]	1/0.75 [19.05]	1/0.75 [19.05]	1/0.75 [19.05]
Outdoor Fan - Type	Propeller	Propeller	Propeller	Propeller
No. Used/Diameter in. [mm]	1/24 [609.6]	1/24 [609.6]	1/24 [609.6]	1/24 [609.6]
Drive Type/No. Speeds	Direct/1	Direct/1	Direct/1	Direct/1
CFM [L/s]	3680 [1737]	3680 [1737]	3680 [1737]	3680 [1737]
No. Motors/HP	1 at 1/3 HP	1 at 1/3 HP	1 at 1/3 HP	1 at 1/3 HP
Motor RPM	1075	1075	1075	1075
Indoor Fan - Type	FC Centrifugal	FC Centrifugal	FC Centrifugal	FC Centrifugal
No. Used/Diameter in. [mm]	1/10x10 [254x254]	1/10x10 [254x254]	1/10x10 [254x254]	1/10x10 [254x254]
Drive Type/No. Speeds	Belt/Variable	Belt/Variable	Direct/4	Direct/4
No. Motors	1	1	1	1
Motor HP	3/4	3/4	3/4	3/4
Motor RPM	1725	1725	1075	1075
Motor Frame Size	56	56	48	48
Filter - Type	Disposable	Disposable	Disposable	Disposable
Furnished	Yes	Yes	Yes	Yes
(NO.) Size Recommended in. [mm x mm x mm]	(1)1x16x25 [25x406x635]	(1)1x16x25 [25x406x635]	(1)1x16x25 [25x406x635]	(1)1x16x25 [25x406x635]
Refrigerant Charge Oz. [g]	165 [4678]	165 [4678]	165 [4678]	165 [4678]
Weights				
Net Weight lbs. [kg]	580 [263]	580 [263]	580 [263]	580 [263]
Ship Weight lbs. [kg]	587 [266]	587 [266]	587 [266]	587 [266]

NOTES:

- Cooling Performance is rated at 95° F ambient, 80° F entering dry bulb, 67° F entering wet bulb. Gross capacity does not include the effect of fan motor heat. AHRI capacity is net and includes the effect of fan motor heat. Units are suitable for operation to ±20% of nominal cfm. Units are certified in accordance with the Unitary Air Conditioner Equipment certification program, which is based on AHRI Standard 210/240 or 360.
- EER and/or SEER are rated at AHRI conditions and in accordance with DOE test procedures.
- Heating Performance limit settings and rating data were established and approved under laboratory test conditions using American National Standard Institute standards. Ratings shown are for elevations up to 2000 feet. For elevations above 2000 feet, ratings should be reduced at the rate of 4% for each 1000 feet above sea level.
- Outdoor Sound Rating shown is tested in accordance with AHRI Standard 270.

GENERAL DATA - RKPL MODELS

NOMINAL SIZES 3-5 TONS [10.6-17.6 kW]

Model RKPL- Series	A048JK13(E/X)	A060CK10	A060CK13	A060CL10
Cooling Performance¹				Continued ->
Gross Cooling Capacity Btu [kW]	50,500 [14.8]	61,500 [18.02]	61,500 [18.02]	61,500 [18.02]
EER/SEER ²	12.15/14	12.25/14	12.25/14	12.25/14
Nominal CFM/AHRI Rated CFM [L/s]	1600/1600 [755/755]	2000/1850 [944/873]	2000/1850 [944/873]	2000/1850 [944/873]
AHRI Net Cooling Capacity Btu [kW]	49,000 [14.36]	60,000 [17.58]	60,000 [17.58]	60,000 [17.58]
Net Sensible Capacity Btu [kW]	36,400 [10.67]	42,500 [12.45]	42,500 [12.45]	42,500 [12.45]
Net Latent Capacity Btu [kW]	12,600 [3.69]	17,500 [5.13]	17,500 [5.13]	17,500 [5.13]
Net System Power kW	4.03	4.9	4.9	4.9
Heating Performance (Gas)⁴				
Heating Input Btu [kW]	135,000 [39.55]	100,000 [29.3]	135,000 [39.55]	100,000 [29.3]
Heating Output Btu [kW]	106,500 [31.2]	81,000 [23.73]	109,400 [32.05]	81,000 [23.73]
Temperature Rise Range °F [°C]	50-80 [27.8/44.4]	25-55 [13.9/30.6]	40-70 [22.2/38.9]	25-55 [13.9/30.6]
AFUE %	80	80	80	80
Steady State Efficiency (%)	81	81	81	81
No. Burners	6	5	6	5
No. Stages	1	1	1	1
Gas Connection Pipe Size in. [mm]	0.5 [12.7]	0.5 [12.7]	0.5 [12.7]	0.5 [12.7]
Compressor				
No./Type	1/Scroll	1/Scroll	1/Scroll	1/Scroll
Outdoor Sound Rating (dB)⁵	78	83	83	83
Outdoor Coil - Fin Type	Louvered	Louvered	Louvered	Louvered
Tube Type	Rifled	Rifled	Rifled	Rifled
Tube Size in. [mm] OD	0.375 [9.5]	0.375 [9.5]	0.375 [9.5]	0.375 [9.5]
Face Area sq. ft. [sq. m]	16.56 [1.54]	16.56 [1.54]	16.56 [1.54]	16.56 [1.54]
Rows / FPI [FPcm]	2 / 22 [9]	2 / 22 [9]	2 / 22 [9]	2 / 22 [9]
Indoor Coil - Fin Type	Corrugated	Corrugated	Corrugated	Corrugated
Tube Type	Rifled	Rifled	Rifled	Rifled
Tube Size in. [mm]	0.375 [9.5]	0.375 [9.5]	0.375 [9.5]	0.375 [9.5]
Face Area sq. ft. [sq. m]	5.17 [0.48]	5.17 [0.48]	5.17 [0.48]	5.17 [0.48]
Rows / FPI [FPcm]	3 / 15 [6]	3 / 15 [6]	3 / 15 [6]	3 / 15 [6]
Refrigerant Control	TX Valves	TX Valves	TX Valves	TX Valves
Drain Connection No./Size in. [mm]	1/0.75 [19.05]	1/0.75 [19.05]	1/0.75 [19.05]	1/0.75 [19.05]
Outdoor Fan - Type	Propeller	Propeller	Propeller	Propeller
No. Used/Diameter in. [mm]	1/24 [609.6]	1/24 [609.6]	1/24 [609.6]	1/24 [609.6]
Drive Type/No. Speeds	Direct/1	Direct/1	Direct/1	Direct/1
CFM [L/s]	3680 [1737]	3930 [1855]	3930 [1855]	3930 [1855]
No. Motors/HP	1 at 1/3 HP	1 at 1/3 HP	1 at 1/3 HP	1 at 1/3 HP
Motor RPM	1075	1075	1075	1075
Indoor Fan - Type	FC Centrifugal	FC Centrifugal	FC Centrifugal	FC Centrifugal
No. Used/Diameter in. [mm]	1/10x10 [254x254]	1/10x10 [254x254]	1/10x10 [254x254]	1/11x10 [279x254]
Drive Type/No. Speeds	Direct/4	Direct/3	Direct/3	Belt/Variable
No. Motors	1	1	1	1
Motor HP	3/4	1	1	3/4
Motor RPM	1075	1075	1075	1725
Motor Frame Size	48	48	48	56
Filter - Type	Disposable	Disposable	Disposable	Disposable
Furnished	Yes	Yes	Yes	Yes
(NO.) Size Recommended in. [mm x mm x mm]	(1)1x16x25 [25x406x635]	(1)1x16x25 [25x406x635]	(1)1x16x25 [25x406x635]	(1)1x16x25 [25x406x635]
Refrigerant Charge Oz. [g]	165 [4678]	147 [4167]	147 [4167]	147 [4167]
Weights				
Net Weight lbs. [kg]	585 [265]	590 [268]	597 [271]	590 [268]
Ship Weight lbs. [kg]	592 [269]	597 [271]	604 [274]	597 [271]

NOTES:

- Cooling Performance is rated at 95° F ambient, 80° F entering dry bulb, 67° F entering wet bulb. Gross capacity does not include the effect of fan motor heat. AHRI capacity is net and includes the effect of fan motor heat. Units are suitable for operation to ±20% of nominal cfm. Units are certified in accordance with the Unitary Air Conditioner Equipment certification program, which is based on AHRI Standard 210/240 or 360.
- EER and/or SEER are rated at AHRI conditions and in accordance with DOE test procedures.
- Heating Performance limit settings and rating data were established and approved under laboratory test conditions using American National Standard Institute standards. Ratings shown are for elevations up to 2000 feet. For elevations above 2000 feet, ratings should be reduced at the rate of 4% for each 1000 feet above sea level.
- Outdoor Sound Rating shown is tested in accordance with AHRI Standard 270.

GENERAL DATA - RKPL MODELS

NOMINAL SIZES 3-5 TONS [10.6-17.6 kW]

Model RKPL- Series	A060CL13	A060CM10	A060CM13	A060DK10
Cooling Performance¹				Continued ->
Gross Cooling Capacity Btu [kW]	61,500 [18.02]	61,500 [18.02]	61,500 [18.02]	61,500 [18.02]
EER/SEER ²	12.25/14	12.25/14	12.25/14	12.25/14
Nominal CFM/AHRI Rated CFM [L/s]	2000/1850 [944/873]	2000/1850 [944/873]	2000/1850 [944/873]	2000/1850 [944/873]
AHRI Net Cooling Capacity Btu [kW]	60,000 [17.58]	60,000 [17.58]	60,000 [17.58]	60,000 [17.58]
Net Sensible Capacity Btu [kW]	42,500 [12.45]	42,500 [12.45]	42,500 [12.45]	42,500 [12.45]
Net Latent Capacity Btu [kW]	17,500 [5.13]	17,500 [5.13]	17,500 [5.13]	17,500 [5.13]
Net System Power kW	4.9	4.9	4.9	4.9
Heating Performance (Gas)⁴				
Heating Input Btu [kW]	135,000 [39.55]	100,000 [29.3]	135,000 [39.55]	100,000 [29.3]
Heating Output Btu [kW]	109,400 [32.05]	81,000 [23.73]	109,400 [32.05]	81,000 [23.73]
Temperature Rise Range °F [°C]	40-70 [22.2/38.9]	25-55 [13.9/30.6]	40-70 [22.2/38.9]	25-55 [13.9/30.6]
AFUE %	80	80	80	80
Steady State Efficiency (%)	81	81	81	81
No. Burners	6	5	6	5
No. Stages	1	1	1	1
Gas Connection Pipe Size in. [mm]	0.5 [12.7]	0.5 [12.7]	0.5 [12.7]	0.5 [12.7]
Compressor				
No./Type	1/Scroll	1/Scroll	1/Scroll	1/Scroll
Outdoor Sound Rating (dB)⁵	83	83	83	83
Outdoor Coil - Fin Type	Louvered	Louvered	Louvered	Louvered
Tube Type	Rifled	Rifled	Rifled	Rifled
Tube Size in. [mm] OD	0.375 [9.5]	0.375 [9.5]	0.375 [9.5]	0.375 [9.5]
Face Area sq. ft. [sq. m]	16.56 [1.54]	16.56 [1.54]	16.56 [1.54]	16.56 [1.54]
Rows / FPI [FPcm]	2 / 22 [9]	2 / 22 [9]	2 / 22 [9]	2 / 22 [9]
Indoor Coil - Fin Type	Corrugated	Corrugated	Corrugated	Corrugated
Tube Type	Rifled	Rifled	Rifled	Rifled
Tube Size in. [mm]	0.375 [9.5]	0.375 [9.5]	0.375 [9.5]	0.375 [9.5]
Face Area sq. ft. [sq. m]	5.17 [0.48]	5.17 [0.48]	5.17 [0.48]	5.17 [0.48]
Rows / FPI [FPcm]	3 / 15 [6]	3 / 15 [6]	3 / 15 [6]	3 / 15 [6]
Refrigerant Control	TX Valves	TX Valves	TX Valves	TX Valves
Drain Connection No./Size in. [mm]	1/0.75 [19.05]	1/0.75 [19.05]	1/0.75 [19.05]	1/0.75 [19.05]
Outdoor Fan - Type	Propeller	Propeller	Propeller	Propeller
No. Used/Diameter in. [mm]	1/24 [609.6]	1/24 [609.6]	1/24 [609.6]	1/24 [609.6]
Drive Type/No. Speeds	Direct/1	Direct/1	Direct/1	Direct/1
CFM [L/s]	3930 [1855]	3930 [1855]	3930 [1855]	3930 [1855]
No. Motors/HP	1 at 1/3 HP	1 at 1/3 HP	1 at 1/3 HP	1 at 1/3 HP
Motor RPM	1075	1075	1075	1075
Indoor Fan - Type	FC Centrifugal	FC Centrifugal	FC Centrifugal	FC Centrifugal
No. Used/Diameter in. [mm]	1/11x10 [279x254]	1/11x10 [279x254]	1/11x10 [279x254]	1/10x10 [254x254]
Drive Type/No. Speeds	Belt/Variable	Belt/Variable	Belt/Variable	Direct/3
No. Motors	1	1	1	1
Motor HP	3/4	1	1	1
Motor RPM	1725	1725	1725	1075
Motor Frame Size	56	56	56	48
Filter - Type	Disposable	Disposable	Disposable	Disposable
Furnished	Yes	Yes	Yes	Yes
(NO.) Size Recommended in. [mm x mm x mm]	(1)1x16x25 [25x406x635]	(1)1x16x25 [25x406x635]	(1)1x16x25 [25x406x635]	(1)1x16x25 [25x406x635]
Refrigerant Charge Oz. [g]	147 [4167]	147 [4167]	147 [4167]	147 [4167]
Weights				
Net Weight lbs. [kg]	597 [271]	590 [268]	590 [268]	590 [268]
Ship Weight lbs. [kg]	604 [274]	597 [271]	597 [271]	597 [271]

NOTES:

- Cooling Performance is rated at 95° F ambient, 80° F entering dry bulb, 67° F entering wet bulb. Gross capacity does not include the effect of fan motor heat. AHRI capacity is net and includes the effect of fan motor heat. Units are suitable for operation to ±20% of nominal cfm. Units are certified in accordance with the Unitary Air Conditioner Equipment certification program, which is based on AHRI Standard 210/240 or 360.
- EER and/or SEER are rated at AHRI conditions and in accordance with DOE test procedures.
- Heating Performance limit settings and rating data were established and approved under laboratory test conditions using American National Standard Institute standards. Ratings shown are for elevations up to 2000 feet. For elevations above 2000 feet, ratings should be reduced at the rate of 4% for each 1000 feet above sea level.
- Outdoor Sound Rating shown is tested in accordance with AHRI Standard 270.

GENERAL DATA - RKPL MODELS

NOMINAL SIZES 3-5 TONS [10.6-17.6 kW]

Model RKPL- Series	A060DK13	A060DL10	A060DL13	A060DM10
Cooling Performance¹				Continued ->
Gross Cooling Capacity Btu [kW]	61,500 [18.02]	61,500 [18.02]	61,500 [18.02]	61,500 [18.02]
EER/SEER ²	12.25/14	12.25/14	12.25/14	12.25/14
Nominal CFM/AHRI Rated CFM [L/s]	2000/1850 [944/873]	2000/1850 [944/873]	2000/1850 [944/873]	2000/1850 [944/873]
AHRI Net Cooling Capacity Btu [kW]	60,000 [17.58]	60,000 [17.58]	60,000 [17.58]	60,000 [17.58]
Net Sensible Capacity Btu [kW]	42,500 [12.45]	42,500 [12.45]	42,500 [12.45]	42,500 [12.45]
Net Latent Capacity Btu [kW]	17,500 [5.13]	17,500 [5.13]	17,500 [5.13]	17,500 [5.13]
Net System Power kW	4.9	4.9	4.9	4.9
Heating Performance (Gas)⁴				
Heating Input Btu [kW]	135,000 [39.55]	100,000 [29.3]	135,000 [39.55]	100,000 [29.3]
Heating Output Btu [kW]	109,400 [32.05]	81,000 [23.73]	109,400 [32.05]	81,000 [23.73]
Temperature Rise Range °F [°C]	40-70 [22.2/38.9]	25-55 [13.9/30.6]	40-70 [22.2/38.9]	25-55 [13.9/30.6]
AFUE %	80	80	80	80
Steady State Efficiency (%)	81	81	81	81
No. Burners	6	5	6	5
No. Stages	1	1	1	1
Gas Connection Pipe Size in. [mm]	0.5 [12.7]	0.5 [12.7]	0.5 [12.7]	0.5 [12.7]
Compressor				
No./Type	1/Scroll	1/Scroll	1/Scroll	1/Scroll
Outdoor Sound Rating (dB)⁵	83	83	83	83
Outdoor Coil - Fin Type	Louvered	Louvered	Louvered	Louvered
Tube Type	Rifled	Rifled	Rifled	Rifled
Tube Size in. [mm] OD	0.375 [9.5]	0.375 [9.5]	0.375 [9.5]	0.375 [9.5]
Face Area sq. ft. [sq. m]	16.56 [1.54]	16.56 [1.54]	16.56 [1.54]	16.56 [1.54]
Rows / FPI [FPcm]	2 / 22 [9]	2 / 22 [9]	2 / 22 [9]	2 / 22 [9]
Indoor Coil - Fin Type	Corrugated	Corrugated	Corrugated	Corrugated
Tube Type	Rifled	Rifled	Rifled	Rifled
Tube Size in. [mm]	0.375 [9.5]	0.375 [9.5]	0.375 [9.5]	0.375 [9.5]
Face Area sq. ft. [sq. m]	5.17 [0.48]	5.17 [0.48]	5.17 [0.48]	5.17 [0.48]
Rows / FPI [FPcm]	3 / 15 [6]	3 / 15 [6]	3 / 15 [6]	3 / 15 [6]
Refrigerant Control	TX Valves	TX Valves	TX Valves	TX Valves
Drain Connection No./Size in. [mm]	1/0.75 [19.05]	1/0.75 [19.05]	1/0.75 [19.05]	1/0.75 [19.05]
Outdoor Fan - Type	Propeller	Propeller	Propeller	Propeller
No. Used/Diameter in. [mm]	1/24 [609.6]	1/24 [609.6]	1/24 [609.6]	1/24 [609.6]
Drive Type/No. Speeds	Direct/1	Direct/1	Direct/1	Direct/1
CFM [L/s]	3930 [1855]	3930 [1855]	3930 [1855]	3930 [1855]
No. Motors/HP	1 at 1/3 HP	1 at 1/3 HP	1 at 1/3 HP	1 at 1/3 HP
Motor RPM	1075	1075	1075	1075
Indoor Fan - Type	FC Centrifugal	FC Centrifugal	FC Centrifugal	FC Centrifugal
No. Used/Diameter in. [mm]	1/10x10 [254x254]	1/11x10 [279x254]	1/11x10 [279x254]	1/11x10 [279x254]
Drive Type/No. Speeds	Direct/3	Belt/Variable	Belt/Variable	Belt/Variable
No. Motors	1	1	1	1
Motor HP	1	3/4	3/4	1
Motor RPM	1075	1725	1725	1725
Motor Frame Size	48	56	56	56
Filter - Type	Disposable	Disposable	Disposable	Disposable
Furnished	Yes	Yes	Yes	Yes
(NO.) Size Recommended in. [mm x mm x mm]	(1)1x16x25 [25x406x635]	(1)1x16x25 [25x406x635]	(1)1x16x25 [25x406x635]	(1)1x16x25 [25x406x635]
Refrigerant Charge Oz. [g]	147 [4167]	147 [4167]	147 [4167]	147 [4167]
Weights				
Net Weight lbs. [kg]	597 [271]	590 [268]	597 [271]	590 [268]
Ship Weight lbs. [kg]	604 [274]	597 [271]	604 [274]	597 [271]

NOTES:

- Cooling Performance is rated at 95° F ambient, 80° F entering dry bulb, 67° F entering wet bulb. Gross capacity does not include the effect of fan motor heat. AHRI capacity is net and includes the effect of fan motor heat. Units are suitable for operation to ±20% of nominal cfm. Units are certified in accordance with the Unitary Air Conditioner Equipment certification program, which is based on AHRI Standard 210/240 or 360.
- EER and/or SEER are rated at AHRI conditions and in accordance with DOE test procedures.
- Heating Performance limit settings and rating data were established and approved under laboratory test conditions using American National Standard Institute standards. Ratings shown are for elevations up to 2000 feet. For elevations above 2000 feet, ratings should be reduced at the rate of 4% for each 1000 feet above sea level.
- Outdoor Sound Rating shown is tested in accordance with AHRI Standard 270.

GENERAL DATA - RKPL MODELS

NOMINAL SIZES 3-5 TONS [10.6-17.6 kW]

Model RKPL- Series	A060DM13	A060JK10(E/X)	A060JK13(E/X)
Cooling Performance¹			
Gross Cooling Capacity Btu [kW]	61,500 [18.02]	61,500 [18.02]	61,500 [18.02]
EER/SEER ²	12.25/14	12.25/14	12.25/14
Nominal CFM/AHRI Rated CFM [L/s]	2000/1850 [944/873]	2000/1850 [944/873]	2000/1850 [944/873]
AHRI Net Cooling Capacity Btu [kW]	60,000 [17.58]	60,000 [17.58]	60,000 [17.58]
Net Sensible Capacity Btu [kW]	42,500 [12.45]	42,500 [12.45]	42,500 [12.45]
Net Latent Capacity Btu [kW]	17,500 [5.13]	17,500 [5.13]	17,500 [5.13]
Net System Power kW	4.9	4.9	4.9
Heating Performance (Gas)⁴			
Heating Input Btu [kW]	135,000 [39.55]	100,000 [29.3]	135,000 [39.55]
Heating Output Btu [kW]	109,400 [32.05]	78,500 [23]	106,500 [31.2]
Temperature Rise Range °F [°C]	40-70 [22.2/38.9]	25-55 [13.9/30.6]	40-70 [22.2/38.9]
AFUE %	80	80	80
Steady State Efficiency (%)	81	81	81
No. Burners	6	5	6
No. Stages	1	1	1
Gas Connection Pipe Size in. [mm]	0.5 [12.7]	0.5 [12.7]	0.5 [12.7]
Compressor			
No./Type	1/Scroll	1/Scroll	1/Scroll
Outdoor Sound Rating (dB)⁵			
	83	83	83
Outdoor Coil - Fin Type			
Tube Type	Louvered	Louvered	Louvered
Tube Size in. [mm] OD	Rifled	Rifled	Rifled
Face Area sq. ft. [sq. m]	0.375 [9.5]	0.375 [9.5]	0.375 [9.5]
Rows / FPI [FPcm]	16.56 [1.54]	16.56 [1.54]	16.56 [1.54]
	2 / 22 [9]	2 / 22 [9]	2 / 22 [9]
Indoor Coil - Fin Type			
Tube Type	Corrugated	Corrugated	Corrugated
Tube Size in. [mm]	Rifled	Rifled	Rifled
Face Area sq. ft. [sq. m]	0.375 [9.5]	0.375 [9.5]	0.375 [9.5]
Rows / FPI [FPcm]	5.17 [0.48]	5.17 [0.48]	5.17 [0.48]
	3 / 15 [6]	3 / 15 [6]	3 / 15 [6]
Refrigerant Control	TX Valves	TX Valves	TX Valves
Drain Connection No./Size in. [mm]	1/0.75 [19.05]	1/0.75 [19.05]	1/0.75 [19.05]
Outdoor Fan - Type			
No. Used/Diameter in. [mm]	Propeller	Propeller	Propeller
Drive Type/No. Speeds	1/24 [609.6]	1/24 [609.6]	1/24 [609.6]
CFM [L/s]	Direct/1	Direct/1	Direct/1
No. Motors/HP	3930 [1855]	3930 [1855]	3930 [1855]
Motor RPM	1 at 1/3 HP	1 at 1/3 HP	1 at 1/3 HP
	1075	1075	1075
Indoor Fan - Type			
No. Used/Diameter in. [mm]	FC Centrifugal	FC Centrifugal	FC Centrifugal
Drive Type/No. Speeds	1/11x10 [279x254]	1/10x10 [254x254]	1/10x10 [254x254]
No. Motors	Belt/Variable	Direct/3	Direct/3
Motor HP	1	1	1
Motor RPM	1	1	1
Motor Frame Size	1725	1075	1075
	56	48	48
Filter - Type			
Furnished	Disposable	Disposable	Disposable
(NO.) Size Recommended in. [mm x mm x mm]	Yes	Yes	Yes
	(1)1x16x25 [25x406x635]	(1)1x16x25 [25x406x635]	(1)1x16x25 [25x406x635]
	(1)1x16x25 [25x406x635]	(1)1x16x25 [25x406x635]	(1)1x16x25 [25x406x635]
Refrigerant Charge Oz. [g]			
	147 [4167]	147 [4167]	147 [4167]
Weights			
Net Weight lbs. [kg]	590 [268]	590 [268]	597 [271]
Ship Weight lbs. [kg]	597 [271]	597 [271]	604 [274]

NOTES:

- Cooling Performance is rated at 95° F ambient, 80° F entering dry bulb, 67° F entering wet bulb. Gross capacity does not include the effect of fan motor heat. AHRI capacity is net and includes the effect of fan motor heat. Units are suitable for operation to ±20% of nominal cfm. Units are certified in accordance with the Unitary Air Conditioner Equipment certification program, which is based on AHRI Standard 210/240 or 360.
- EER and/or SEER are rated at AHRI conditions and in accordance with DOE test procedures.
- Heating Performance limit settings and rating data were established and approved under laboratory test conditions using American National Standard Institute standards. Ratings shown are for elevations up to 2000 feet. For elevations above 2000 feet, ratings should be reduced at the rate of 4% for each 1000 feet above sea level.
- Outdoor Sound Rating shown is tested in accordance with AHRI Standard 270.

XIII. MISCELLANEOUS

ELECTRICAL DATA – RKNL SERIES

		-A036CK08E	-A036CK12E	-A036CL08E	-A036CL12E	-A036CM08E	-A036CM12E	-A036DK08E	-A036DK12E	-A036DL08E
Unit Information	Unit Operating Voltage Range	187-253	187-253	187-253	187-253	187-253	187-253	414-506	414-506	414-506
	Minimum Circuit Ampacity	19/19	19/19	18/18	18/18	18/18	18/18	11	11	10
	Minimum Overcurrent Protection Device Size	25/25	25/25	20/20	20/20	20/20	20/20	15	15	15
	Maximum Overcurrent Protection Device Size	25/25	25/25	25/25	25/25	25/25	25/25	15	15	15
Compressor Motor	No.	1	1	1	1	1	1	1	1	1
	Volts	208/230	208/230	208/230	208/230	208/230	208/230	460	460	460
	Phase	3	3	3	3	3	3	3	3	3
	HP	3	3	3	3	3	3	3	3	3
	RPM	3450	3450	3450	3450	3450	3450	3450	3450	3450
	Amps (RLA)	10.4/10.4	10.4/10.4	10.4/10.4	10.4/10.4	10.4/10.4	10.4/10.4	5.8	5.8	5.8
	Amps (LRA)	88/88	88/88	88/88	88/88	88/88	88/88	38	38	38
Condenser Motor	No.	1	1	1	1	1	1	1	1	1
	Volts	208/230	208/230	208/230	208/230	208/230	208/230	460	460	460
	Phase	1	1	1	1	1	1	1	1	1
	HP	1/3	1/3	1/3	1/3	1/3	1/3	1/3	1/3	1/3
	Amps (FLA)	1.5	1.5	1.5	1.5	1.5	1.5	1	1	1
	Amps (LRA)	3	3	3	3	3	3	1.9	1.9	1.9
Evaporator Fan	No.	1	1	1	1	1	1	1	1	1
	Volts	208/230	208/230	208/230	208/230	208/230	208/230	460	460	460
	Phase	1	1	3	3	3	3	1	1	3
	HP	1/2	1/2	1/2	1/2	1/2	1/2	1/2	1/2	1/2
	Amps (FLA)	4	4	2.8	2.8	2.8	2.8	2	2	1.4
	Amps (LRA)	6.7	6.7	11.3	11.3	11.3	11.3	3.6	3.6	6.2

ELECTRICAL DATA – RKNL SERIES

		-A036DL12E	-A036DM08E	-A036DM12E	-A036JK08E	-A036JK08X	-A036JK12E	-A036JK12X	-A036YL08E	-A036YL12E
Unit Information	Unit Operating Voltage Range	414-506	414-506	414-506	187-253	187-253	187-253	187-253	517-633	517-633
	Minimum Circuit Ampacity	10	10	10	27/27	27/27	27/27	27/27	7	7
	Minimum Overcurrent Protection Device Size	15	15	15	35/35	35/35	35/35	35/35	15	15
	Maximum Overcurrent Protection Device Size	15	15	15	40/40	40/40	40/40	40/40	15	15
Compressor Motor	No.	1	1	1	1	1	1	1	1	1
	Volts	460	460	460	208/230	208/230	208/230	208/230	575	575
	Phase	3	3	3	1	1	1	1	3	3
	HP	3	3	3	3	3	3	3	3	3
	RPM	3450	3450	3450	3450	3450	3450	3450	3450	3450
	Amps (RLA)	5.8	5.8	5.8	16.7/16.7	16.7/16.7	16.7/16.7	16.7/16.7	3.8	3.8
	Amps (LRA)	38	38	38	79/79	79/79	79/79	79/79	36.5	36.5
Condenser Motor	No.	1	1	1	1	1	1	1	1	1
	Volts	460	460	460	208/230	208/230	208/230	208/230	575	575
	Phase	1	1	1	1	1	1	1	1	1
	HP	1/3	1/3	1/3	1/3	1/3	1/3	1/3	1/3	1/3
	Amps (FLA)	1	1	1	1.5	1.5	1.5	1.5	0.8	0.8
	Amps (LRA)	1.9	1.9	1.9	3	3	3	3	1.9	1.9
Evaporator Fan	No.	1	1	1	1	1	1	1	1	1
	Volts	460	460	460	208/230	208/230	208/230	208/230	575	575
	Phase	3	3	3	1	1	1	1	3	3
	HP	1/2	1/2	1/2	1/2	1/2	1/2	1/2	3/4	3/4
	Amps (FLA)	1.4	1.4	1.4	4	4	4	4	1.3	1.3
	Amps (LRA)	6.2	6.2	6.2	6.7	6.7	6.7	6.7	6	6

ELECTRICAL DATA – RKNL SERIES

		-A036YM08E	-A036YM12E	-A042CK08E	-A042CK12E	-A042CL08E	-A042CL12E	-A042CM08E	-A042CM12E	-A042DK08E
Unit Information	Unit Operating Voltage Range	517-633	517-633	187-253	187-253	187-253	187-253	187-253	187-253	414-506
	Minimum Circuit Ampacity	7	7	23/23	23/23	22/22	22/22	22/22	22/22	11
	Minimum Overcurrent Protection Device Size	15	15	30/30	30/30	25/25	25/25	25/25	25/25	15
	Maximum Overcurrent Protection Device Size	15	15	35/35	35/35	30/30	30/30	30/30	30/30	15
Compressor Motor	No.	1	1	1	1	1	1	1	1	1
	Volts	575	575	208/230	208/230	208/230	208/230	208/230	208/230	460
	Phase	3	3	3	3	3	3	3	3	3
	HP	3	3	3 1/2	3 1/2	3 1/2	3 1/2	3 1/2	3 1/2	3 1/2
	RPM	3450	3450	3450	3450	3450	3450	3450	3450	3450
	Amps (RLA)	3.8	3.8	13.5/13.5	13.5/13.5	13.5/13.5	13.5/13.5	13.5/13.5	13.5/13.5	6
	Amps (LRA)	36.5	36.5	88/88	88/88	88/88	88/88	88/88	88/88	44
Condenser Motor	No.	1	1	1	1	1	1	1	1	1
	Volts	575	575	208/230	208/230	208/230	208/230	208/230	208/230	460
	Phase	1	1	1	1	1	1	1	1	1
	HP	1/3	1/3	1/3	1/3	1/3	1/3	1/3	1/3	1/3
	Amps (FLA)	0.8	0.8	1.5	1.5	1.5	1.5	1.5	1.5	1
	Amps (LRA)	1.9	1.9	3	3	3	3	3	3	1.9
Evaporator Fan	No.	1	1	1	1	1	1	1	1	1
	Volts	575	575	208/230	208/230	208/230	208/230	208/230	208/230	460
	Phase	3	3	1	1	3	3	3	3	1
	HP	3/4	3/4	1/2	1/2	1/2	1/2	1/2	1/2	1/2
	Amps (FLA)	1.3	1.3	4	4	2.8	2.8	2.8	2.8	2
	Amps (LRA)	6	6	6.7	6.7	11.3	11.3	11.3	11.3	3.6

ELECTRICAL DATA – RKNL SERIES

		-A042DK12E	-A042DL08E	-A042DL12E	-A042DM08E	-A042DM12E	-A042JK08E	-A042JK08X	-A042JK12E	-A042JK12X
Unit Information	Unit Operating Voltage Range	414-506	414-506	414-506	414-506	414-506	187-253	187-253	187-253	187-253
	Minimum Circuit Ampacity	11	10	10	10	10	28/28	28/28	28/28	28/28
	Minimum Overcurrent Protection Device Size	15	15	15	15	15	35/35	35/35	35/35	35/35
	Maximum Overcurrent Protection Device Size	15	15	15	15	15	45/45	45/45	45/45	45/45
Compressor Motor	No.	1	1	1	1	1	1	1	1	1
	Volts	460	460	460	460	460	208/230	208/230	208/230	208/230
	Phase	3	3	3	3	3	1	1	1	1
	HP	3 1/2	3 1/2	3 1/2	3 1/2	3 1/2	3 1/2	3 1/2	3 1/2	3 1/3
	RPM	3450	3450	3450	3450	3450	3450	3450	3450	3450
	Amps (RLA)	6	6	6	6	6	17.9/17.9	17.9/17.9	17.9/17.9	17.9/17.9
	Amps (LRA)	44	44	44	44	44	112/112	112/112	112/112	112/112
Condenser Motor	No.	1	1	1	1	1	1	1	1	1
	Volts	460	460	460	460	460	208/230	208/230	208/230	208/230
	Phase	1	1	1	1	1	1	1	1	1
	HP	1/3	1/3	1/3	1/3	1/3	1/3	1/3	1/3	1/3
	Amps (FLA)	1	1	1	1	1	1.5	1.5	1.5	1.5
	Amps (LRA)	1.9	1.9	1.9	1.9	1.9	3	3	3	3
Evaporator Fan	No.	1	1	1	1	1	1	1	1	1
	Volts	460	460	460	460	460	208/230	208/230	208/230	208/230
	Phase	1	3	3	3	3	1	1	1	1
	HP	1/2	1/2	1/2	1/2	1/2	1/2	1/2	1/2	1/2
	Amps (FLA)	2	1.4	1.4	1.4	1.4	4	4	4	4
	Amps (LRA)	3.6	6.2	6.2	6.2	6.2	6.7	6.7	6.7	6.7

ELECTRICAL DATA – RKNL SERIES

		-A048CK08E	-A048CK10E	-A048CK13E	-A048CL08E	-A048CL10E	-A048CL13E	-A048CM08E	-A048CM10E	-A048CM13E
Unit Information	Unit Operating Voltage Range	187-253	187-253	187-253	187-253	187-253	187-253	187-253	187-253	187-253
	Minimum Circuit Ampacity	23/23	23/23	23/23	22/22	22/22	22/22	23/23	23/23	23/23
	Minimum Overcurrent Protection Device Size	30/30	30/30	30/30	25/25	25/25	25/25	30/30	30/30	30/30
	Maximum Overcurrent Protection Device Size	35/35	35/35	35/35	35/35	35/35	35/35	35/35	35/35	35/35
Compressor Motor	No.	1	1	1	1	1	1	1	1	1
	Volts	208/230	208/230	208/230	208/230	208/230	208/230	208/230	208/230	208/230
	Phase	3	3	3	3	3	3	3	3	3
	HP	4	4	4	4	4	4	4	4	4
	RPM	3450	3450	3450	3450	3450	3450	3450	3450	3450
	Amps (RLA)	13.7/13.7	13.7/13.7	13.7/13.7	13.7/13.7	13.7/13.7	13.7/13.7	13.7/13.7	13.7/13.7	13.7/13.7
	Amps (LRA)	83.1/83.1	83.1/83.1	83.1/83.1	83.1/83.1	83.1/83.1	83.1/83.1	83.1/83.1	83.1/83.1	83.1/83.1
Condenser Motor	No.	1	1	1	1	1	1	1	1	1
	Volts	208/230	208/230	208/230	208/230	208/230	208/230	208/230	208/230	208/230
	Phase	1	1	1	1	1	1	1	1	1
	HP	1/3	1/3	1/3	1/3	1/3	1/3	1/3	1/3	1/3
	Amps (FLA)	1.5	1.5	1.5	1.5	1.5	1.5	1.5	1.5	1.5
	Amps (LRA)	3	3	3	3	3	3	3	3	3
Evaporator Fan	No.	1	1	1	1	1	1	1	1	1
	Volts	208/230	208/230	208/230	208/230	208/230	208/230	208/230	208/230	208/230
	Phase	1	1	1	3	3	3	3	3	3
	HP	1/2	1/2	1/2	1/2	1/2	1/2	3/4	3/4	3/4
	Amps (FLA)	4	4	4	2.8	2.8	2.8	3.4	3.4	3.4
	Amps (LRA)	6.7	6.7	6.7	11.3	11.3	11.3	16.8	16.8	16.8

ELECTRICAL DATA – RKNL SERIES

		-A048DK08E	-A048DK10E	-A048DK13E	-A048DL08E	-A048DL10E	-A048DL13E	-A048DM08E	-A048DM10E	-A048DM13E
Unit Information	Unit Operating Voltage Range	414-506	414-506	414-506	414-506	414-506	414-506	414-506	414-506	414-506
	Minimum Circuit Ampacity	12	12	12	11	11	11	11	11	11
	Minimum Overcurrent Protection Device Size	15	15	15	15	15	15	15	15	15
	Maximum Overcurrent Protection Device Size	15	15	15	15	15	15	15	15	15
Compressor Motor	No.	1	1	1	1	1	1	1	1	1
	Volts	460	460	460	460	460	460	460	460	460
	Phase	3	3	3	3	3	3	3	3	3
	HP	4	4	4	4	4	4	4	4	4
	RPM	3450	3450	3450	3450	3450	3450	3450	3450	3450
	Amps (RLA)	6.2	6.2	6.2	6.2	6.2	6.2	6.2	6.2	6.2
	Amps (LRA)	41	41	41	41	41	41	41	41	41
Condenser Motor	No.	1	1	1	1	1	1	1	1	1
	Volts	460	460	460	460	460	460	460	460	460
	Phase	1	1	1	1	1	1	1	1	1
	HP	1/3	1/3	1/3	1/3	1/3	1/3	1/3	1/3	1/3
	Amps (FLA)	1	1	1	1	1	1	1	1	1
	Amps (LRA)	1.9	1.9	1.9	1.9	1.9	1.9	1.9	1.9	1.9
Evaporator Fan	No.	1	1	1	1	1	1	1	1	1
	Volts	460	460	460	460	460	460	460	460	460
	Phase	1	1	1	3	3	3	3	3	3
	HP	3/4	3/4	3/4	1/2	1/2	1/2	3/4	3/4	3/4
	Amps (FLA)	3.2	3.2	3.2	1.4	1.4	1.4	1.6	1.6	1.6
	Amps (LRA)	0	0	0	6.2	6.2	6.2	8.4	8.4	8.4

ELECTRICAL DATA – RKNL SERIES

		-A048JK08E	-A048JK08X	-A048JK10E	-A048JK10X	-A048JK13E	-A048JK13X	-A048YL10E	-A048YL13E	-A0487M10E
Unit Information	Unit Operating Voltage Range	187-253	187-253	187-253	187-253	187-253	187-253	517-633	517-633	517-633
	Minimum Circuit Ampacity	33/33	33/33	33/33	33/33	33/33	33/33	9	9	9
	Minimum Overcurrent Protection Device Size	40/40	40/40	40/40	40/40	40/40	40/40	15	15	15
	Maximum Overcurrent Protection Device Size	15	15	15	15	50/50	50/50	15	15	15
Compressor Motor	No.	1	1	1	1	1	1	1	1	1
	Volts	460	460	460	460	208/230	208/230	575	575	575
	Phase	3	3	3	3	1	1	3	3	3
	HP	4	4	4	4	4	4	4	4	4
	RPM	3450	3450	3450	3450	3450	3450	3450	3450	3450
	Amps (RLA)	6.2	6.2	6.2	6.2	21.8/21.8	21.8/21.8	4.8	4.8	4.8
	Amps (LRA)	41	41	41	41	117/117	117/117	33	33	33
Condenser Motor	No.	1	1	1	1	1	1	1	1	1
	Volts	460	460	460	460	208/230	208/230	575	575	575
	Phase	1	1	1	1	1	1	1	1	1
	HP	1/3	1/3	1/3	1/3	1/3	1/3	1/3	1/3	1/3
	Amps (FLA)	1	1	1	1	1.5	1.5	0.8	0.8	0.8
	Amps (LRA)	1.9	1.9	1.9	1.9	3	3	1.9	1.9	1.9
	Evaporator Fan	No.	1	1	1	1	1	1	1	1
Volts		460	460	460	460	208/230	208/230	575	575	575
Phase		3	3	3	3	1	1	3	3	3
HP		1/2	1/2	3/4	3/4	1/2	1/2	3/4	3/4	3/4
Amps (FLA)		1.4	1.4	1.6	1.6	4	4	1.3	1.3	1.3
Amps (LRA)		6.2	6.2	8.4	8.4	6.7	6.7	6	6	6

ELECTRICAL DATA – RKNL SERIES

		-A048YM13E	-A060CK10E	-A060CK13E	-A060CL10E	-A060CL13E	-A060CM10E	-A060CM13E	-A060DK10E	-A060DL10E	-A060DL13E
Unit Information	Unit Operating Voltage Range	517-633	187-253	187-253	187-253	187-253	187-253	187-253	414-506	414-506	414-506
	Minimum Circuit Ampacity	9	30/30	30/30	26/26	26/26	26/26	26/26	15	13	13
	Minimum Overcurrent Protection Device Size	15	35/35	35/35	30/30	30/30	30/30	30/30	20	15	15
	Maximum Overcurrent Protection Device Size	15	40/40	40/40	40/40	40/40	40/40	40/40	20	20	20
Compressor Motor	No.	1	1	1	1	1	1	1	1	1	1
	Volts	575	208/230	208/230	208/230	208/230	208/230	208/230	460	460	460
	Phase	3	3	3	3	3	3	3	3	3	3
	HP	4	5	5	5	5	5	5	5	5	5
	RPM	3450	3450	3450	3450	3450	3450	3450	3450	3450	3450
	Amps (RLA)	4.8	15.6/15.6	15.6/15.6	15.6/15.6	15.6/15.6	15.6/15.6	15.6/15.6	7.8	7.8	7.8
	Amps (LRA)	33	110/110	110/110	110/110	110/110	110/110	110/110	52	52	52
Condenser Motor	No.	1	1	1	1	1	1	1	1	1	1
	Volts	575	208/230	208/230	208/230	208/230	208/230	208/230	460	460	460
	Phase	1	1	1	1	1	1	1	1	1	1
	HP	1/3	1/3	1/3	1/3	1/3	1/3	1/3	1/3	1/3	1/3
	Amps (FLA)	0.8	2.2	2.2	2.2	2.2	2.2	2.2	1	1	1
	Amps (LRA)	1.9	4.9	4.9	4.9	4.9	4.9	4.9	1.9	1.9	1.9
Evaporator Fan	No.	1	1	1	1	1	1	1	1	1	1
	Volts	575	208/230	208/230	208/230	208/230	208/230	208/230	460	460	460
	Phase	1	1	1	3	3	3	3	1	3	3
	HP	3	1	1	3/4	3/4	1	1	1	3/4	3/4
	Amps (FLA)	3/4	7.6	7.6	3.4	3.4	3.8	3.8	4.0	1.6	1.6
	Amps (LRA)	6	0	0	16.8	16.8	24	24	0	8.4	8.4

ELECTRICAL DATA – RKNL SERIES

		-A060DM10E	-A060DM13E	-A060JK10E	-A060JK10X	-A060JK13E	-A060JK13X	-A060YL10E	-A060YL13E	-A060YM10E	-A060YM13E
Unit Information	Unit Operating Voltage Range	414-506	414-506	187-253	187-253	187-253	187-253	517-633	517-633	517-633	517-633
	Minimum Circuit Ampacity	3	13	43/43	43/43	43/43	43/43	10	10	10	10
	Minimum Overcurrent Protection Device Size	15	15	50/50	50/50	50/50	50/50	15	15	15	15
	Maximum Overcurrent Protection Device Size	20	20	60/60	60/60	60/60	60/60	15	15	15	15
Compressor Motor	No.	1	1	1	1	1	1	1	1	1	1
	Volts	460	460	208/230	208/230	208/230	208/230	575	575	575	575
	Phase	3	3	1	1	1	1	3	3	3	3
	HP	5	5	5	5	5	5	5	5	5	5
	RPM	3450	3450	3450	3450	3450	3450	3450	3450	3450	3450
	Amps (RLA)	7.8	7.8	26.3/26.3	26.3/26.3	26.3/26.3	26.3/26.3	5.8	5.8	5.8	5.8
	Amps (LRA)	52	52	134/134	134/134	134/134	134/134	38.9	38.9	38.9	38.9
Condenser Motor	No.	1	1	1	1	1	1	1	1	1	1
	Volts	460	460	208/230	208/230	208/230	208/230	575	575	575	575
	Phase	1	1	1	1	1	1	1	1	1	1
	HP	1/3	1/3	1/3	1/3	1/3	1/3	1/3	1/3	1/3	1/3
	Amps (FLA)	1	1	2.2	2.2	2.2	2.2	0.8	0.8	0.8	0.8
	Amps (LRA)	1.9	1.9	4.9	4.9	4.9	4.9	1.9	1.9	1.9	1.9
Evaporator Fan	No.	1	1	1	1	1	1	1	1	1	1
	Volts	460	460	208/230	208/230	208/230	208/230	575	575	575	575
	Phase	3	3	1	1	1	1	3	3	3	3
	HP	1	1	1	1	1	1	3/4	3/4	1	1
	Amps (FLA)	1.9	1.9	7.6	7.6	7.6	7.6	1.3	1.3	1.4	1.4
	Amps (LRA)	12	12	0	0	0	0	6	6	7.2	7.2

ELECTRICAL DATA – RKPL SERIES

		-A036CK08E	-A036CK12E	-A036CL08E	-A036CL12E	-A036CM08E	-A036CM12E	-A036DK08E	-A036DK12E	-A036DL08E	-A036DL12E	-A036DM08E
Unit Information	Unit Operating Voltage Range	187-253	187-253	187-253	187-253	187-253	187-253	414-506	414-506	414-506	414-506	414-506
	Minimum Circuit Ampacity	19/19	19/19	18/18	18/18	18/18	18/18	11	11	10	10	10
	Minimum Overcurrent Protection Device Size	25/25	25/25	20/20	20/20	20/20	20/20	15	15	15	15	15
	Maximum Overcurrent Protection Device Size	25/25	25/25	25/25	25/25	25/25	25/25	15	15	15	15	15
Compressor Motor	No.	1	1	1	1	1	1	1	1	1	1	1
	Volts	208/230	208/230	208/230	208/230	208/230	208/230	460	460	460	460	460
	Phase	3	3	3	3	3	3	3	3	3	3	3
	HP	3	3	3	3	3	3	3	3	3	3	3
	RPM	3450	3450	3450	3450	3450	3450	3450	3450	3450	3450	3450
	Amps (RLA)	10.4/10.4	10.4/10.4	10.4/10.4	10.4/10.4	10.4/10.4	10.4/10.4	5.8	5.8	5.8	5.8	5.8
	Amps (LRA)	88/88	88/88	88/88	88/88	88/88	88/88	38	38	38	38	38
Condenser Motor	No.	1	1	1	1	1	1	1	1	1	1	1
	Volts	208/230	208/230	208/230	208/230	208/230	208/230	460	460	460	460	460
	Phase	1	1	1	1	1	1	1	1	1	1	1
	HP	1/3	1/3	1/3	1/3	1/3	1/3	1/3	1/3	1/3	1/3	1/3
	Amps (FLA)	1.5	1.5	1.5	1.5	1.5	1.5	1	1	1	1	1
	Amps (LRA)	3	3	3	3	3	3	1.9	1.9	1.9	1.9	1.9
Evaporator Fan	No.	1	1	1	1	1	1	1	1	1	1	1
	Volts	208/230	208/230	208/230	208/230	208/230	208/230	460	460	460	460	460
	Phase	1	1	3	3	3	3	1	1	3	3	3
	HP	1/2	1/2	1/2	1/2	1/2	1/2	1/2	1/2	1/2	1/2	1/2
	Amps (FLA)	4.1	4.1	2.8	2.8	2.8	2.8	2.1	2.1	1.4	1.4	1.4
	Amps (LRA)	0	0	11.3	11.3	11.3	11.3	0	0	6.2	6.2	6.2

ELECTRICAL DATA – RKPL SERIES

		-A036DM12E	-A036JK08E	-A036JK08X	-A036JK12E	-A036JK12X	-A042CK08E	-A042CK12E	-A042CL08E	-A042CL12E
Unit Information	Unit Operating Voltage Range	414-506	187-253	187-253	187-253	187-253	187-253	187-253	187-253	187-253
	Minimum Circuit Ampacity	10	27/27	27/27	27/27	27/27	25/25	25/25	22/22	22/22
	Minimum Overcurrent Protection Device Size	15	35/35	35/35	35/35	35/35	30/30	30/30	25/25	25/25
	Maximum Overcurrent Protection Device Size	15	40/40	40/40	40/40	40/40	35/35	35/35	30/30	30/30
Compressor Motor	No.	1	1	1	1	1	1	1	1	1
	Volts	460	208/230	208/230	208/230	208/230	208/230	208/230	208/230	208/230
	Phase	3	1	1	1	1	3	3	3	3
	HP	3	3	3	3	3	3 1/2	3 1/2	3 1/2	3 1/2
	RPM	3450	3450	3450	3450	3450	3450	3450	3450	3450
	Amps (RLA)	5.8	16.7/16.7	16.7/16.7	16.7/16.7	16.7/16.7	13.5/13.5	13.5/13.5	13.5/13.5	13.5/13.5
	Amps (LRA)	38	79/79	79/79	79/79	79/79	88/88	88/88	88/88	88/88
Condenser Motor	No.	1	1	1	1	1	1	1	1	1
	Volts	460	208/230	208/230	208/230	208/230	208/230	208/230	208/230	208/230
	Phase	1	1	1	1	1	1	1	1	1
	HP	1/3	1/3	1/3	1/3	1/3	1/3	1/3	1/3	1/3
	Amps (FLA)	1	1.5	1.5	1.5	1.5	1.5	1.5	1.5	1.5
	Amps (LRA)	1.9	3	3	3	3	3	3	3	3
Evaporator Fan	No.	1	1	1	1	1	1	1	1	1
	Volts	460	208/230	208/230	208/230	208/230	208/230	208/230	208/230	208/230
	Phase	3	1	1	1	1	1	1	3	3
	HP	1/2	1/2	1/2	1/2	1/2	3/4	3/4	1/2	1/2
	Amps (FLA)	1.4	4.1	4.1	4.1	4.1	6	6	2.8	2.8
	Amps (LRA)	6.2	0	0	0	0	0	0	11.3	11.3

ELECTRICAL DATA – RKPL SERIES

		-A042CM08E	-A042CM12E	-A042DK08E	-A042DK12E	-A042DL08E	-A042DL12E	-A042DM08E	-A042DM12E	-A042JK08E	-A042JK08X	-A042JK12E
Unit Information	Unit Operating Voltage Range	187-253	187-253	414-506	414-506	414-506	414-506	414-506	414-506	187-253	187-253	187-253
	Minimum Circuit Ampacity	22/22	22/22	12	12	10	10	10	10	30/30	30/30	30/30
	Minimum Overcurrent Protection Device Size	25/25	25/25	15	15	15	15	15	15	35/35	35/35	35/35
	Maximum Overcurrent Protection Device Size	30/30	30/30	15	15	15	15	15	15	45/45	45/45	45/45
Compressor Motor	No.	1	1	1	1	1	1	1	1	1	1	1
	Volts	208/230	208/230	460	460	460	460	460	460	208/230	208/230	208/230
	Phase	3	3	3	3	3	3	3	3	1	1	1
	HP	3 1/2	3 1/2	3 1/2	3 1/2	3 1/2	3 1/2	3 1/2	3 1/2	3 1/2	3 1/2	3 1/2
	RPM	3450	3450	3450	3450	3450	3450	3450	3450	3450	3450	3450
	Amps (RLA)	13.5/13.5	13.5/13.5	6	6	6	6	6	6	17.9/17.9	17.9/17.9	17.9/17.9
	Amps (LRA)	88/88	88/88	44	44	44	44	44	44	112/112	112/112	112/112
Condenser Motor	No.	1	1	1	1	1	1	1	1	1	1	1
	Volts	208/230	208/230	460	460	460	460	460	460	208/230	208/230	208/230
	Phase	1	1	1	1	1	1	1	1	1	1	1
	HP	1/3	1/3	1/3	1/3	1/3	1/3	1/3	1/3	1/3	1/3	1/3
	Amps (FLA)	1.5	1.5	1	1	1	1	1	1	1.5	1.5	1.5
	Amps (LRA)	3	3	1.9	1.9	1.9	1.9	1.9	1.9	3	3	3
Evaporator Fan	No.	1	1	1	1	1	1	1	1	1	1	1
	Volts	208/230	208/230	460	460	460	460	460	460	208/230	208/230	208/230
	Phase	3	3	1	1	3	3	3	3	1	1	1
	HP	1/2	1/2	3/4	3/4	1/2	1/2	1/2	1/2	3/4	3/4	3/4
	Amps (FLA)	2.8	2.8	3.2	3.2	1.4	1.4	1.4	1.4	6	6	6
	Amps (LRA)	11.3	11.3	0	0	6.2	6.2	6.2	6.2	0	0	0

ELECTRICAL DATA – RKPL SERIES

		-A042JK12X	-A048CK08E	-A048CK10E	-A048CK13E	-A048CL08E	-A048CL10E	-A048CL13E	-A048CM08E	-A048CM10E
Unit Information	Unit Operating Voltage Range	187-253	187-253	187-253	187-253	187-253	187-253	187-253	187-253	187-253
	Minimum Circuit Ampacity	30/30	25/25	25/25	25/25	22/22	22/22	22/22	23/23	23/23
	Minimum Overcurrent Protection Device Size	35/35	30/30	30/30	30/30	25/25	25/25	25/25	30/30	30/30
	Maximum Overcurrent Protection Device Size	45/45	35/35	35/35	35/35	35/35	35/35	35/35	35/35	35/35
Compressor Motor	No.	1	1	1	1	1	1	1	1	1
	Volts	208/230	208/230	208/230	208/230	208/230	208/230	208/230	208/230	208/230
	Phase	1	3	3	3	3	3	3	3	3
	HP	3 1/3	4	4	4	4	4	4	4	4
	RPM	3450	3450	3450	3450	3450	3450	3450	3450	3450
	Amps (RLA)	17.9/17.9	13.7/13.7	13.7/13.7	13.7/13.7	13.7/13.7	13.7/13.7	13.7/13.7	13.7/13.7	13.7/13.7
	Amps (LRA)	112/112	83.1/83.1	83.1/83.1	83.1/83.1	83.1/83.1	83.1/83.1	83.1/83.1	83.1/83.1	83.1/83.1
Condenser Motor	No.	1	1	1	1	1	1	1	1	1
	Volts	208/230	208/230	208/230	208/230	208/230	208/230	208/230	208/230	208/230
	Phase	1	1	1	1	1	1	1	1	1
	HP	1/3	1/3	1/3	1/3	1/3	1/3	1/3	1/3	1/3
	Amps (FLA)	1.5	1.5	1.5	1.5	1.5	1.5	1.5	1.5	1.5
	Amps (LRA)	3	3	3	3	3	3	3	3	3
Evaporator Fan	No.	1	1	1	1	1	1	1	1	1
	Volts	208/230	208/230	208/230	208/230	208/230	208/230	208/230	208/230	208/230
	Phase	1	1	1	1	3	3	3	3	3
	HP	3/4	3/4	3/4	3/4	1/2	1/2	1/2	3/4	3/4
	Amps (FLA)	6	6	6	6	2.8	2.8	2.8	3.4	3.4
	Amps (LRA)	0	0	0	0	11.3	11.3	11.3	16.8	16.8

ELECTRICAL DATA – RKPL SERIES

		-A048CM13E	-A048DK08E	-A048DK10E	-A048DK13E	-A048DL08E	-A048DL10E	-A048DL13E	-A048DM08E	-A048DM10E	-A048DM13E	-A048JK08E
Unit Information	Unit Operating Voltage Range	187-253	414-506	414-506	414-506	414-506	414-506	414-506	414-506	414-506	414-506	187-253
	Minimum Circuit Ampacity	23/23	12	12	12	11	11	11	11	11	11	35/35
	Minimum Overcurrent Protection Device Size	30/30	15	15	15	15	15	15	15	15	15	45/45
	Maximum Overcurrent Protection Device Size	35/35	15	15	15	15	15	15	15	15	15	50/50
Compressor Motor	No.	1	1	1	1	1	1	1	1	1	1	1
	Volts	208/230	460	460	460	460	460	460	460	460	460	208/230
	Phase	3	3	3	3	3	3	3	3	3	3	1
	HP	4	4	4	4	4	4	4	4	4	4	4
	RPM	3450	3450	3450	3450	3450	3450	3450	3450	3450	3450	3450
	Amps (RLA)	13.7/13.7	6.2	6.2	6.2	6.2	6.2	6.2	6.2	6.2	6.2	21.8/21.8
	Amps (LRA)	83.1/83.1	41	41	41	41	41	41	41	41	41	117/117
Condenser Motor	No.	1	1	1	1	1	1	1	1	1	1	1
	Volts	208/230	460	460	460	460	460	460	460	460	460	208/230
	Phase	1	1	1	1	1	1	1	1	1	1	1
	HP	1/3	1/3	1/3	1/3	1/3	1/3	1/3	1/3	1/3	1/3	1/3
	Amps (FLA)	1.5	1	1	1	1	1	1	1	1	1	1.5
	Amps (LRA)	3	1.9	1.9	1.9	1.9	1.9	1.9	1.9	1.9	1.9	3
Evaporator Fan	No.	1	1	1	1	1	1	1	1	1	1	1
	Volts	208/230	460	460	460	460	460	460	460	460	460	208/230
	Phase	3	1	1	1	3	3	3	3	3	3	1
	HP	3/4	3/4	3/4	3/4	1/2	1/2	1/2	3/4	3/4	3/4	3/4
	Amps (FLA)	3.4	3.2	3.2	3.2	1.4	1.4	1.4	1.6	1.6	1.6	6
	Amps (LRA)	16.8	0	0	0	6.2	6.2	6.2	8.4	8.4	8.4	0

ELECTRICAL DATA – RKPL SERIES

		-A048JK08X	-A048JK10E	-A048JK10X	-A048JK13E	-A048JK13X	-A060CK10E	-A060CK13E	-A060CL10E	-A060CL13E	-A060CM10E
Unit Information	Unit Operating Voltage Range	187-253	187-253	187-253	187-253	187-253	187-253	187-253	187-253	187-253	187-253
	Minimum Circuit Ampacity	35/35	35/35	35/35	35/35	35/35	30/30	30/30	26/26	26/26	26/26
	Minimum Overcurrent Protection Device Size	45/45	45/45	45/45	45/45	45/45	35/35	35/35	30/30	30/30	35/35
	Maximum Overcurrent Protection Device Size	50/50	50/50	50/50	50/50	50/50	45/45	45/45	40/40	40/40	40/40
Compressor Motor	No.	1	1	1	1	1	1	1	1	1	1
	Volts	208/230	208/230	208/230	208/230	208/230	208/230	208/230	208/230	208/230	208/230
	Phase	1	1	1	1	1	3	3	3	3	3
	HP	4	4	4	4	4	5	5	5	5	5
	RPM	3450	3450	3450	3450	3450	3450	3450	3450	3450	3450
	Amps (RLA)	21.8/21.8	21.8/21.8	21.8/21.8	21.8/21.8	21.8/21.8	16/16	16/16	16/16	16/16	16/16
	Amps (LRA)	117/117	117/117	117/117	117/117	117/117	110/110	110/110	110/110	110/110	110/110
Condenser Motor	No.	1	1	1	1	1	1	1	1	1	1
	Volts	208/230	208/230	208/230	208/230	208/230	208/230	208/230	208/230	208/230	208/230
	Phase	1	1	1	1	1	1	1	1	1	1
	HP	1/3	1/3	1/3	1/3	1/3	1/3	1/3	1/3	1/3	1/3
	Amps (FLA)	1.5	1.5	1.5	1.5	1.5	2.2	2.2	2.2	2.2	2.2
	Amps (LRA)	3	3	3	3	3	4.9	4.9	4.9	4.9	4.9
Evaporator Fan	No.	1	1	1	1	1	1	1	1	1	1
	Volts	208/230	208/230	208/230	208/230	208/230	208/230	208/230	208/230	208/230	208/230
	Phase	1	1	1	1	1	1	1	3	3	3
	HP	3/4	3/4	3/4	3/4	3/4	1	1	3/4	3/4	1
	Amps (FLA)	6	6	6	6	6	7.6	7.6	3.4	3.4	3.8
	Amps (LRA)	0	0	0	0	0	0	0	16.8	16.8	24

ELECTRICAL DATA – RKPL SERIES

		-A060CM13E	-A060DK10E	-A060DK13E	-A060DL10E	-A060DL13E	-A060DM10E	-A060DM13E	-A060JK10E	-A060JK10X	-A060JK13E	-A060JK13X
Unit Information	Unit Operating Voltage Range	187-253	414-506	414-506	414-506	414-506	414-506	414-506	187-253	187-253	187-253	187-253
	Minimum Circuit Ampacity	26/26	15	15	13	13	13	13	43/43	43/43	43/43	43/43
	Minimum Overcurrent Protection Device Size	35/35	20	20	15	15	15	15	50/50	50/50	50/50	50/50
	Maximum Overcurrent Protection Device Size	40/40	20	20	20	20	20	20	60/60	60/60	60/60	60/60
Compressor Motor	No.	1	1	1	1	1	1	1	1	1	1	1
	Volts	208/230	460	460	460	460	460	460	208/230	208/230	208/230	208/230
	Phase	3	3	3	3	3	3	3	1	1	1	1
	HP	5	5	5	5	5	5	5	5	5	5	5
	RPM	3450	3450	3450	3450	3450	3450	3450	3450	3450	3450	3450
	Amps (RLA)	16/16	7.8	7.8	7.8	7.8	7.8	7.8	26.4/26.4	26.4/26.4	26.4/26.4	26.4/26.4
	Amps (LRA)	110/110	52	52	52	52	52	52	134/134	134/134	134/134	134/134
Condenser Motor	No.	1	1	1	1	1	1	1	1	1	1	1
	Volts	208/230	460	460	460	460	460	460	208/230	208/230	208/230	208/230
	Phase	1	1	1	1	1	1	1	1	1	1	1
	HP	1/3	1/3	1/3	1/3	1/3	1/3	1/3	1/3	1/3	1/3	1/3
	Amps (FLA)	2.2	1	1	1	1	1	1	2.2	2.2	2.2	2.2
	Amps (LRA)	4.9	1.9	1.9	1.9	1.9	1.9	1.9	4.9	4.9	4.9	4.9
Evaporator Fan	No.	1	1	1	1	1	1	1	1	1	1	1
	Volts	208/230	460	460	460	460	460	460	208/230	208/230	208/230	208/230
	Phase	3	1	1	3	3	3	3	1	1	1	1
	HP	1	1	1	3/4	3/4	1	1	1	1	1	1
	Amps (FLA)	3.8	4.0	4.0	1.6	1.6	1.9	1.9	7.6	7.6	7.6	7.6
	Amps (LRA)	24	0	0	8.4	8.4	12	12	0	0	0	0

INDOOR AIRFLOW PERFORMANCE FOR 3-5 TON PACKAGE GAS ELECTRIC UNITS – RKNL DIRECT DRIVE

DIRECT-DRIVE BLOWER 208 AIRFLOW PERFORMANCE

Unit Model	Motor Speed From Factory		Heating Input BTU/hr [kW]	Manufacturer Recommended Air-Flow Range (Min / Max) CFM	Blower Size/ Motor HP # of Speeds	Motor Speed	CFM Air Delivery/RPM/Watts-208 VOLTS									
							External Static Pressure-Inches W.C.									
							0.1	0.2	0.3	0.4	0.5	0.6	0.7	0.8		
RKNL-A036	Low	Cool	80,000 [23.45]	1050 / 1350	10x10 1/2 3 Speed (PSC)	Low	CFM	1210	1193	1175	1155	1125	1075	1015	925	
		Watts					450	400	395	385	380	375	370	360		
		CFM					1515	1500	1475	1450	1405	1350	1275	1180		
	Med	120,000 [35.17]	1050 / 1350	10x10 1/2 3 Speed (PSC)	High	CFM	1680	1650	1625	1580	1530	1460	1390	1280		
						Watts	525	515	510	505	490	475	460	445		
						CFM	650	640	630	610	580	560	545	515		
RKNL-A042	Low	80,000 [23.45]	1225 / 1575	10x10 1/2 3 Speed (PSC)	Low	CFM	1210	1193	1175	1155	1125	1075	1015	925		
						Watts	450	400	395	385	380	375	370	360		
						CFM	1515	1500	1475	1450	1405	1350	1275	1180		
	Med	120,000 [35.17]	1225 / 1575	10x10 1/2 3 Speed (PSC)	Med	CFM	1680	1650	1625	1580	1530	1460	1390	1280		
						Watts	525	515	510	505	490	475	460	445		
						CFM	650	640	630	610	580	560	545	515		
RKNL-A048	Low	80,000 [23.45]	1400 / 1800	10x10 1/2 3 Speed (PSC)	Low	CFM	1210	1193	1175	1155	1125	1075	1015	925		
						Watts	450	400	395	385	380	375	370	360		
						CFM	1515	1500	1475	1450	1405	1350	1275	1180		
	Med	100,000 [29.31]	1400 / 1800	10x10 1/2 3 Speed (PSC)	Med	CFM	1680	1650	1625	1580	1530	1460	1390	1280		
						Watts	525	515	510	505	490	475	460	445		
						CFM	650	640	630	610	580	560	545	515		
RKNL-A060	Low	100,000 [29.31]	1750 / 2250	10x10 1 3 Speed (X-13)	Low	CFM	1575	1536	1496	1457	1417	1377	1338	1298		
						Watts	297	314	330	347	364	381	397	414		
						CFM	1985	1954	1919	1876	1824	1759	1679	1581		
	High	135,000 [39.56]	1750 / 2250	10x10 1 3 Speed (X-13)	High	CFM	2431	2372	2306	2228	2138	2032	1907	1762		
						Watts	970	981	964	926	872	806	736	665		
						CFM	2431	2372	2306	2228	2138	2032	1907	1762		

INDOOR AIRFLOW PERFORMANCE FOR 3-5 TON PACKAGE GAS ELECTRIC UNITS – RKNL DIRECT DRIVE

DIRECT-DRIVE 230 AIRFLOW PERFORMANCE

Unit Model	Motor Speed From Factory		Heating Input BTU/hr [kW]	Manufacturer Recommended Air-Flow Range (Min / Max) CFM	Blower Size/ Motor HP # of Speeds	Motor Speed	CFM Air Delivery/RPM/Watts-230 VOLTS											
							External Static Pressure-Inches W.C.											
							0.1	0.2	0.3	0.4	0.5	0.6	0.7	0.8				
RKNL-A036	Cool	Low	80,000 [23.45]	1050 / 1350	10x10 1/2 3 Speed (PSC)	Low	CFM	1400	1375	1360	1335	1305	1255	1210	1100			
			Watts				470	460	455	450	440	435	425	410				
	Low	Med	120,000 [35.17]				CFM	1685	1620	1580	1550	1500	1430	1350	1230			
		High	CFM				1870	1830	1790	1730	1660	1580	1500	1375				
	Med	Low	80,000 [23.45]				1225 / 1575	10x10 1/2 3 Speed (PSC)	Med	CFM	1400	1375	1360	1335	1305	1255	1210	1100
		Med	Watts							470	460	455	450	440	435	425	410	
Med	High	120,000 [35.17]	CFM	1685	1620	1580				1550	1500	1430	1350	1230				
	High	CFM	1870	1830	1790	1730				1660	1580	1500	1375					
RKNL-A048	Cool	Low	80,000 [23.45]	1400 / 1800	10x10 1/2 3 Speed (PSC)	Low				CFM	1400	1375	1360	1335	1305	1255	1210	1100
			Watts							470	460	455	450	440	435	425	410	
	Med	Med	100,000 [29.31]				CFM	1685	1620	1580	1550	1500	1430	1350	1230			
		High	135,000 [39.56]				CFM	1870	1830	1790	1730	1660	1580	1500	1375			
	Med	Low	100,000 [29.31]				1750 / 2250	10x10 1 3 Speed (X-13)	Med	CFM	1575	1536	1496	1457	1417	1377	1338	1298
		High	Watts							297	314	330	347	364	381	397	414	
Med	High	135,000 [39.56]	CFM	1985	1954	1919				1876	1824	1759	1679	1581				
	High	Watts	535	553	574	593				606	609	599	572					
High	High	135,000 [39.56]	CFM	2431	2372	2306				2228	2138	2032	1907	1762				
	High	Watts	970	981	964	926				872	806	736	665					

INDOOR AIRFLOW PERFORMANCE FOR 3-5 TON PACKAGE GAS ELECTRIC UNITS – RKNL DIRECT DRIVE

DIRECT-DRIVE 460 AIRFLOW PERFORMANCE

Unit Model	Motor Speed From Factory		Heating Input BTU/hr [kW]	Manufacturer Recommended Air-Flow Range (Min / Max) CFM	Blower Size/ Motor HP # of Speeds	Motor Speed	CFM Air Delivery/RPM/Watts-460 VOLTS									
							External Static Pressure-Inches W.C.									
	Cool	Heat	Low	High	0.1	0.2	0.3	0.4	0.5	0.6	0.7	0.8				
RKNL-A036	Low		80,000 [23.45]	1050 / 1350	10x10 1/2 3 Speed (PSC)	Low	CFM	1400	1375	1360	1335	1305	1255	1210	1100	
			Watts				470	460	455	450	440	435	425	410		
	Med		CFM				1685	1620	1580	1550	1500	1430	1350	1230		
			Watts				635	600	580	570	550	535	505	475		
RKNL-A042	Med		80,000 [23.45]	1225 / 1575	10x10 1/2 3 Speed (PSC)	Low	CFM	1870	1830	1790	1730	1660	1580	1500	1375	
			Watts				780	760	740	700	660	635	600	555		
	High		CFM				1400	1375	1360	1335	1305	1255	1210	1100		
			Watts				470	460	455	450	440	435	425	410		
RKNL-A048	High		80,000 [23.45]	1400 / 1800	10x10 1/2 3 Speed (PSC)	Low	CFM	1870	1830	1790	1730	1660	1580	1500	1375	
			Watts				780	760	740	700	660	635	600	555		
	Med		CFM				1400	1375	1360	1335	1305	1255	1210	1100		
			Watts				470	460	455	450	440	435	425	410		
RKNL-A060	Med		80,000 [23.45]	1750 / 2250	10x10 1 3 Speed (X-13)	High	CFM	1685	1620	1580	1550	1500	1430	1350	1230	
			Watts				635	600	580	570	550	535	505	475		
	High		CFM				1870	1830	1790	1730	1660	1580	1500	1375		
			Watts				780	760	740	700	660	635	600	555		
RKNL-A060	Med		100,000 [29.31]	1750 / 2250	10x10 1 3 Speed (X-13)	Low	CFM	1757	1536	1496	1457	1417	1377	1338	1298	
			Watts				297	314	330	347	364	381	397	414		
	High		CFM				1985	1954	1919	1876	1824	1759	1679	1581		
			Watts				535	553	574	593	606	609	599	572		
High		CFM	2431	2372	2306	2228	2138	2032	1907	1762						
		Watts	970	981	964	926	872	806	736	665						

INDOOR AIRFLOW PERFORMANCE FOR 3-5 TON PACKAGE GAS ELECTRIC UNITS – RKPL DIRECT DRIVE

Unit Model Cooling Capacity Tons [kW]	Motor Speed From Factory	Heating Input BTU/hr [kW]	Manufacturer Recommended Air-Flow Range (Min / Max) CFM	Blower Size/ Motor HP [W] # of Speeds	Motor Speed	CFM Air Delivery/RPM/Watts-208 Volts										
						External Static Pressure-Inches W.C.										
						0.10	0.20	0.30	0.40	0.50	0.60	0.70	0.80			
RKPL-A036 3.0 [10.55]	Low (Tap 2)	80,000 [23.45]	1050 / 1350	10x10 1/2 HP [249 W] 3 Speed (X-13 Motor)	Low (Tap 2)	CFM	1381	1339	1291	1236	1193	1144	1079	1004		
						RPM	675	717	766	808	855	903	961	1016		
						Watts	200	214	225	233	248	262	275	289		
	Med (Tap 3)	80,000 [23.45]	1050 / 1350	10x10 1/2 HP [249 W] 3 Speed (X-13 Motor)	Med (Tap 3)	CFM	1479	1432	1385	1346	1304	1256	1201	1137		
						RPM	706	751	795	835	874	919	970	1024		
						Watts	242	254	266	282	291	306	319	336		
	High (Tap 4)	120,000 [35.17]	1050 / 1350	10x10 1/2 HP [249 W] 3 Speed (X-13 Motor)	High (Tap 4)	CFM	1669	1626	1585	1544	1500	1460	1418	1376		
						RPM	788	827	868	908	941	978	1015	1052		
						Watts	356	370	385	401	411	426	438	442		
	RKPL-A042 3.5 [12.31]	Med (Tap 2)	80,000 [23.45]	1225 / 1575	10x10 3/4 HP [559 W] 4 Speed (X-13 Motor)	Med (Tap 2)	CFM	1444	1396	1347	1306	1265	1225	1185	1108	
							RPM	681	731	780	827	873	920	966	1038	
							Watts	208	223	237	253	268	281	293	317	
Low (Tap 1)		80,000 [23.45]	1225 / 1575	10x10 3/4 HP [559 W] 4 Speed (X-13 Motor)	Low (Tap 1)	CFM	1643	1605	1567	1523	1479	1441	1403	1365		
						RPM	768	805	842	887	932	971	1009	1048		
						Watts	304	319	333	350	366	381	395	410		
Med (Tap 3)		120,000 [35.17]	1225 / 1575	10x10 3/4 HP [559 W] 4 Speed (X-13 Motor)	Med (Tap 3)	CFM	1643	1605	1567	1523	1479	1441	1403	1365		
						RPM	768	805	842	887	932	971	1009	1048		
						Watts	304	319	333	350	366	381	395	410		
High (Tap 4)		120,000 [35.17]	1225 / 1575	10x10 3/4 HP [559 W] 4 Speed (X-13 Motor)	High (Tap 4)	CFM	1875	1837	1799	1755	1711	1673	1635	1597		
						RPM	842	880	918	955	991	1025	1058	1092		
						Watts	435	452	468	487	505	519	532	546		
RKPL-A048 4.0 [14.07]	Low (Tap 1)	80,000 [23.45]	1400 / 1800	10x10 3/4 HP [559 W] 4 Speed (X-13 Motor)	Low (Tap 1)	CFM	1457	1410	1363	1322	1280	1235	1190	1106		
						RPM	710	763	816	858	900	951	1002	1061		
						Watts	229	241	252	267	282	299	315	330		
	Med (Tap 2)	100,000 [29.31]	1400 / 1800	10x10 3/4 HP [559 W] 4 Speed (X-13 Motor)	Med (Tap 2)	CFM	1717	1676	1635	1596	1556	1514	1471	1425		
						RPM	817	854	890	931	971	1012	1052	1092		
						Watts	360	374	387	402	417	433	449	461		
	High (Tap 4)	135,000 [39.56]	1400 / 1800	10x10 3/4 HP [559 W] 4 Speed (X-13 Motor)	High (Tap 4)	CFM	1875	1837	1799	1757	1714	1674	1633	1548		
						RPM	877	911	944	979	1014	1053	1091	1113		
						Watts	458	473	488	503	517	534	550	535		
	RKPL-A060 5.0 [17.59]	Low (Tap 1)	100,000 [29.31]	1750 / 2250	10x10 1 HP [746 W] 3 Speed (X-13 Motor)	Low (Tap 1)	CFM	1575	1536	1496	1457	1417	1377	1338	1298	
							RPM	741	783	824	866	907	949	990	1032	
							Watts	297	314	330	347	364	381	397	414	
Med (Tap 2)		100,000 [29.31]	1750 / 2250	10x10 1 HP [746 W] 3 Speed (X-13 Motor)	Med (Tap 2)	CFM	1985	1954	1919	1876	1824	1759	1679	1581		
						RPM	902	942	979	1013	1040	1071	1096	1119		
						Watts	535	553	574	593	606	609	599	572		
High (Tap 3)		135,000 [39.56]	1750 / 2250	10x10 1 HP [746 W] 3 Speed (X-13 Motor)	High (Tap 3)	CFM	2431	2372	2306	2228	2138	2032	1907	1762		
						RPM	1076	1089	1102	1114	1125	1133	1142	1151		
						Watts	970	981	964	926	872	806	736	665		

INDOOR AIRFLOW PERFORMANCE FOR 3-5 TON PACKAGE GAS ELECTRIC UNITS – RKPL DIRECT DRIVE

Unit Model Cooling Capacity Tons [kW]	Motor Speed From Factory	Heating Input BTU/hr [kW]	Manufacturer Recommended Air-Flow Range (Min / Max) CFM	Blower Size/ Motor HP [W] # of Speeds	Motor Speed	CFM Air Delivery/RPM/Watts-230/460 Volts										
						External Static Pressure-Inches W.C.										
						0.10	0.20	0.30	0.40	0.50	0.60	0.70	0.80			
RKPL-A036 3.0 [10.55]	Low (Tap 2)	80,000 [23.45]	1050 / 1350	10x10 1/2 HP [249 W] 3 Speed (X-13 Motor)	Med (Tap 3)	CFM	1381	1339	1291	1236	1193	1144	1079	1004		
						RPM	675	717	766	808	855	903	961	1016		
						Watts	200	214	225	233	248	262	275	289		
	High (Tap 4)	120,000 [35.17]	1050 / 1350	10x10 1/2 HP [249 W] 3 Speed (X-13 Motor)	High (Tap 4)	CFM	1479	1432	1385	1346	1304	1256	1201	1137		
						RPM	706	751	795	835	874	919	970	1024		
						Watts	242	254	266	282	291	306	319	336		
	RKPL-A042 3.5 [12.31]	Med (Tap 2)	80,000 [23.45]	1225 / 1575	10x10 3/4 HP [559 W] 4 Speed (X-13 Motor)	Med (Tap 2)	CFM	1669	1626	1585	1544	1500	1460	1418	1376	
							RPM	788	827	868	908	941	978	1015	1052	
							Watts	356	370	385	401	411	426	438	442	
		Low (Tap 1)	120,000 [35.17]	1225 / 1575	10x10 3/4 HP [559 W] 4 Speed (X-13 Motor)	Low (Tap 1)	CFM	1444	1396	1347	1306	1265	1225	1185	1108	
							RPM	681	731	780	827	873	920	966	1038	
							Watts	208	223	237	253	268	281	293	317	
High (Tap 4)		135,000 [39.56]	1225 / 1575	10x10 3/4 HP [559 W] 4 Speed (X-13 Motor)	High (Tap 4)	CFM	1643	1605	1567	1523	1479	1441	1403	1365		
						RPM	768	805	842	887	932	971	1009	1048		
						Watts	304	319	333	350	366	381	395	410		
RKPL-A048 4.0 [14.07]		Med (Tap 2)	80,000 [23.45]	1400 / 1800	10x10 3/4 HP [559 W] 4 Speed (X-13 Motor)	Med (Tap 2)	CFM	1875	1837	1799	1755	1711	1673	1635	1597	
							RPM	842	880	918	955	991	1025	1058	1092	
							Watts	435	452	468	487	505	519	532	546	
	Low (Tap 1)	100,000 [29.31]	1400 / 1800	10x10 3/4 HP [559 W] 4 Speed (X-13 Motor)	Low (Tap 1)	CFM	1457	1410	1363	1322	1280	1235	1190	1106		
						RPM	710	763	816	858	900	951	1002	1061		
						Watts	229	241	252	267	282	299	315	330		
	High (Tap 4)	135,000 [39.56]	1400 / 1800	10x10 3/4 HP [559 W] 4 Speed (X-13 Motor)	High (Tap 4)	CFM	1717	1676	1635	1596	1556	1514	1471	1425		
						RPM	817	854	890	931	971	1012	1052	1092		
						Watts	360	374	387	402	417	433	449	461		
	RKPL-A060 5.0 [17.59]	Med (Tap 2)	100,000 [29.31]	1750 / 2250	10x10 1 HP [746 W] 3 Speed (X-13 Motor)	Med (Tap 2)	CFM	1717	1676	1635	1596	1556	1514	1471	1425	
							RPM	817	854	890	931	971	1012	1052	1092	
							Watts	360	374	387	402	417	433	449	461	
Low (Tap 1)		135,000 [39.56]	1750 / 2250	10x10 1 HP [746 W] 3 Speed (X-13 Motor)	Low (Tap 1)	CFM	1875	1837	1799	1757	1714	1674	1633	1548		
						RPM	877	911	944	979	1014	1053	1091	1113		
						Watts	458	473	488	503	517	534	550	535		
High (Tap 3)		135,000 [39.56]	1750 / 2250	10x10 1 HP [746 W] 3 Speed (X-13 Motor)	High (Tap 3)	CFM	1575	1536	1496	1457	1417	1377	1338	1298		
						RPM	741	783	824	866	907	949	990	1032		
						Watts	297	314	330	347	364	381	397	414		
Med (Tap 2)		135,000 [39.56]	1750 / 2250	10x10 1 HP [746 W] 3 Speed (X-13 Motor)	Med (Tap 2)	CFM	1985	1954	1919	1876	1824	1759	1679	1581		
						RPM	902	942	979	1013	1040	1071	1096	1119		
						Watts	535	553	574	593	606	609	599	572		
High (Tap 3)	135,000 [39.56]	1750 / 2250	10x10 1 HP [746 W] 3 Speed (X-13 Motor)	High (Tap 3)	CFM	2431	2372	2306	2228	2138	2032	1907	1762			
					RPM	1076	1089	1102	1114	1125	1133	1142	1151			
					Watts	970	981	964	926	872	806	736	665			

INDOOR AIRFLOW PERFORMANCE FOR 3-5 TON PACKAGE GAS ELECTRIC UNITS – RKNL/RKPL BELT DRIVE

3 TON - 13 & 14 SEER MODELS

AIR FLOW CFM		EXTERNAL STATIC PRESSURE																													
		0.1		0.2		0.3		0.4		0.5		0.6		0.7		0.8		0.9		1.0		1.10		1.20		1.30		1.40		1.50	
		RPM	WATTS	RPM	WATTS	RPM	WATTS	RPM	WATTS	RPM	WATTS	RPM	WATTS	RPM	WATTS	RPM	WATTS	RPM	WATTS	RPM	WATTS	RPM	WATTS	RPM	WATTS	RPM	WATTS	RPM	WATTS	RPM	WATTS
900	-	-	-	650	230	715	260	845	340	905	400	960	455	1010	470	1055	490	1095	525	1140	555	1170	580	1215	625	1240	645				
1000	-	-	615	225	670	255	740	280	800	320	860	375	925	425	980	470	1025	485	1105	540	1155	575	1180	605	1225	650	1260	715			
1100	-	-	630	255	700	275	760	310	820	345	885	390	940	435	995	485	1035	505	1120	575	1170	615	1190	640	1235	690	1270	730			
1200	605	250	655	270	720	305	775	340	835	370	900	415	955	475	1005	495	1045	540	1130	605	1180	655	1210	690	1245	730	1280	780			
1300	620	275	675	300	750	340	805	375	855	400	920	455	970	505	1025	530	1060	575	1115	610	1155	680	1220	730	1255	780	1300	825			
1400	640	305	710	340	775	375	825	395	880	440	940	480	990	520	1035	560	1080	590	1125	650	1170	705	1215	775	1230	810	1320	880			
1500	680	340	745	370	800	405	845	425	910	490	955	535	1005	565	1050	615	1090	660	1135	700	1185	760	1225	820	1240	860	1330	940			

NOTE: Bold lines separate L, M and N drives respectively.

DRIVE PACKAGE	"L"										"M"																	
MOTOR H.P.	1/2										1/2																	
BLOWER SHEAVE	6.9" PITCH DIAMETER										6.4" PITCH DIAMETER																	
MOTOR SHEAVE	2.4" - 3.4" PITCH DIAMETER										3.6" - 4.4" PITCH DIAMETER																	
URNS OPEN	0	1	2	3	4	5	6	0	1	2	3	4	5	6	1230	1180	1130	1090	1045	1000	940							
RPM	920	855	800	750	705	665	605	605	565	535	505	480	455	435	415	395	375	355	340	320	305	285	265	245	225	205	185	165

NOTE: Factory sheave settings are shown in bold print.

"N" DRIVE (FIELD SUPPLIED)
BLOWER SHEAVE – 5.7 PITCH DIAMETER
MOTOR SHEAVE– 3.4 - 4.4 PITCH DIAMETER
RANGE – 1030 - 1330
MOTOR – 1/2 H.P. - 1750 RPM

COMPONENT AIR RESISTANCE

COMPONENT	STANDARD INDOOR AIRFLOW - CFM										RESISTANCE - INCHES WATER									
	1000	1200	1400	1600	1800	2000	2200	2400	2600	2800	.035	.040	.060	.070	.085	.100	.110	.120	.125	.130
WET COIL											.055	.060	.066	.072	.080	.086	.093	.100	.107	.115
DOWNFLOW											.05	.06	.07	.08	.09	.10	.11	.12	.13	.15
ECONOMIZER																				
R. A. DAMPER																				

NOTES:

1. PERFORMANCE SHOWN WITH DRY COIL & STANDARD 1" FILTERS
2. STANDARD CFM @ .075 LBS./CU. FT.
3. MOTOR EFFICIENCY = 80%
4. BHP = WATTS X MOTOR EFF. ⁷⁴⁶
5. ADD COMPONENT RESISTANCE TO DUCT STATIC TO DETERMINE TOTAL E.S.P.

INDOOR AIRFLOW PERFORMANCE FOR 3-5 TON PACKAGE GAS ELECTRIC UNITS – RKNL/RKPL BELT DRIVE

3.5 TON - 13 & 14 SEER MODELS

AIR FLOW CFM		EXTERNAL STATIC PRESSURE																														
		CAPACITY: 3.5 TON - 13 & 14 SEER																														
		VOLTAGE: 208/230 - 460																														
		0.1		0.2		0.3		0.4		0.5		0.6		0.7		0.8		0.9		1.0		1.10		1.20		1.30		1.40		1.50		
RPM	WATTS	RPM	WATTS	RPM	WATTS	RPM	WATTS	RPM	WATTS	RPM	WATTS	RPM	WATTS	RPM	WATTS	RPM	WATTS	RPM	WATTS	RPM	WATTS	RPM	WATTS	RPM	WATTS	RPM	WATTS	RPM	WATTS			
1000	—	—	—	—	—	—	—	—	—	—	—	—	—	—	—	—	—	—	—	—	—	—	—	—	—	—	—	—	—			
1100	—	—	—	—	—	—	—	—	—	—	—	—	—	—	—	—	—	—	—	—	—	—	—	—	—	—	—	—	—			
1200	—	—	—	—	—	—	—	—	—	—	—	—	—	—	—	—	—	—	—	—	—	—	—	—	—	—	—	—	—			
1300	—	—	—	—	—	—	—	—	—	—	—	—	—	—	—	—	—	—	—	—	—	—	—	—	—	—	—	—	—			
1400	—	—	—	—	—	—	—	—	—	—	—	—	—	—	—	—	—	—	—	—	—	—	—	—	—	—	—	—	—			
1500	—	—	—	—	—	—	—	—	—	—	—	—	—	—	—	—	—	—	—	—	—	—	—	—	—	—	—	—	—			
1600	725	410	765	445	820	470	875	510	825	540	895	570	945	600	1000	650	1020	690	1075	740	1125	760	1165	810	1205	865	1240	940	1290	1005	1350	1040
1700	740	460	795	495	850	520	900	550	945	600	1000	650	1020	690	1075	740	1125	760	1165	810	1205	865	1240	940	1290	1005	1350	1040	—	—	—	
1800	770	500	825	535	875	570	925	605	980	650	1010	710	1045	750	1100	790	1145	835	1185	900	1225	960	1270	1020	1315	1110	—	—	—	—	—	
							"L"														"M"									"N"		

NOTE: Bold lines separate L, M and N drives respectively.

DRIVE PACKAGE	"L"						"M"							
MOTOR H.P.	1/2						1/2							
BLOWER SHEAVE	6.9" PITCH DIAMETER						6.9" PITCH DIAMETER							
MOTOR SHEAVE	2.8" - 3.8" PITCH DIAMETER						4.0" - 5.0" PITCH DIAMETER							
TURNS OPEN	0	1	2	3	4	5	6	0	1	2	3	4	5	6
RPM	958	945	905	865	820	770	725	1225	1185	1145	1100	1060	1020	1000

NOTE: Factory sheave settings are shown in bold print.

"N" DRIVE (FIELD SUPPLIED)
BLOWER SHEAVE – 6.4" PITCH DIAMETER
MOTOR SHEAVE– 4.0" - 5.0" PITCH DIAMETER
RANGE – 1090 - 1365
MOTOR – 1/2 H.P. - 1750 RPM

COMPONENT AIR RESISTANCE

COMPONENT	STANDARD INDOOR AIRFLOW - CFM									
	1000	1200	1400	1600	1800	2000	2200	2400	2600	2800
WET COIL	.035	.040	.060	.070	.065	.100	.110	.120	.125	.130
DOWNFLOW	.055	.060	.066	.072	.080	.086	.093	.100	.107	.115
ECONOMIZER R. A. DAMPER	.05	.06	.07	.08	.09	.10	.11	.12	.13	.15

NOTES:

1. PERFORMANCE SHOWN WITH DRY COIL & STANDARD 1" FILTERS
2. STANDARD CFM @ .075 LBS./CU. FT.
3. MOTOR EFFICIENCY = 80%
4. BHP = WATTS X MOTOR EFF. ⁷⁴⁶
5. ADD COMPONENT RESISTANCE TO DUCT STATIC TO DETERMINE TOTAL E.S.P.

INDOOR AIRFLOW PERFORMANCE FOR 3-5 TON PACKAGE GAS ELECTRIC UNITS – RKNL/RKPL BELT DRIVE

4 TON - 13 & 14 SEER MODELS

AIR FLOW CFM		EXTERNAL STATIC PRESSURE																													
		0.1		0.2		0.3		0.4		0.5		0.6		0.7		0.8		0.9		1.0		1.10		1.20		1.30		1.40		1.50	
		RPM	WATTS	RPM	WATTS	RPM	WATTS	RPM	WATTS	RPM	WATTS	RPM	WATTS	RPM	WATTS	RPM	WATTS	RPM	WATTS	RPM	WATTS	RPM	WATTS	RPM	WATTS	RPM	WATTS	RPM	WATTS	RPM	WATTS
1200	—	—	—	—	—	780	360	835	390	885	410	935	440	975	475	1015	505	1070	550	1120	570	1170	600	1220	635	1265	655	1320	705		
1300	—	—	—	—	—	805	390	855	410	910	450	950	470	990	510	1030	545	1085	590	1135	610	1185	640	1235	685	1285	730	1335	775		
1400	—	—	—	—	—	770	385	825	425	870	445	890	480	960	510	1010	550	1050	600	1105	615	1155	650	1200	700	1245	730	1300	1345	825	
1500	—	—	—	—	—	790	425	815	455	870	495	920	530	960	580	1025	600	1075	640	1125	670	1175	700	1220	745	1270	780	1315	825	855	
1600	—	—	—	—	—	795	470	850	505	900	540	940	560	980	605	1050	660	1095	680	1145	710	1195	755	1235	800	1285	845	1330	890	935	
1700	—	—	—	—	—	820	515	875	555	930	600	960	625	1010	680	1050	740	1100	760	1150	800	1200	840	1280	890	1330	985	1365	1020	—	
1800	775	470	820	515	875	555	930	600	650	995	700	1035	755	1075	800	1130	840	1175	870	1220	920	1260	955	1305	1010	1350	1070	1115	—		
1900	800	525	855	560	910	610	955	650	700	1020	790	1065	840	1115	860	1180	900	1200	950	1240	1010	1295	1060	1330	1105	1375	1160	—	—		
2000	830	595	885	640	940	670	970	710	710	1020	790	1065	840	1115	860	1180	900	1200	950	1240	1010	1295	1060	1330	1105	1375	1160	—	—		

NOTE: Bold lines separate L, M and N drives respectively.

DRIVE PACKAGE	"L"												"M"															
MOTOR H.P.	1/2												3/4															
BLOWER SHEAVE	6.4" PITCH DIAMETER												5.7" PITCH DIAMETER															
MOTOR SHEAVE	2.8" - 3.8" PITCH DIAMETER												3.4" - 4.4" PITCH DIAMETER															
TURN OPEN	0	1	2	3	4	5	6	0	1	2	3	4	5	6	0	1	2	3	4	5	6	0	1	2	3	4	5	6
RPM	1060	1000	955	910	865	825	770	1385	1330	1280	1225	1175	1120	1060	1385	1330	1280	1225	1175	1120	1060	1385	1330	1280	1225	1175	1120	1060

NOTE: Factory sheave settings are shown in bold print.

COMPONENT AIR RESISTANCE

COMPONENT	STANDARD INDOOR AIRFLOW - CFM									
	1000	1200	1400	1600	1800	2000	2200	2400	2600	2800
	RESISTANCE - INCHES WATER									
WET COIL	.035	.040	.060	.070	.085	.100	.110	.120	.125	.130
DOWNFLOW	.055	.060	.066	.072	.080	.086	.093	.100	.107	.115
ECONOMIZER	.05	.06	.07	.08	.09	.10	.11	.12	.13	.15
R. A. DAMPER										

- NOTES:**
- PERFORMANCE SHOWN WITH DRY COIL & STANDARD 1" FILTERS
 - STANDARD CFM @ .075 LBS./CU. FT.
 - MOTOR EFFICIENCY = 80%
 - BHP = WATTS X MOTOR EFF.
 - ADD COMPONENT RESISTANCE TO DUCT STATIC TO DETERMINE TOTAL E.S.P.

INDOOR AIRFLOW PERFORMANCE FOR 3-5 TON PACKAGE GAS ELECTRIC UNITS – RKNL BELT DRIVE

5 TON - 13 SEER MODELS

AIR FLOW CFM		EXTERNAL STATIC PRESSURE																													
		0.1		0.2		0.3		0.4		0.5		0.6		0.7		0.8		0.9		1.0		1.10		1.20		1.30		1.40		1.50	
		RPM	WATTS	RPM	WATTS	RPM	WATTS	RPM	WATTS	RPM	WATTS	RPM	WATTS	RPM	WATTS	RPM	WATTS	RPM	WATTS	RPM	WATTS	RPM	WATTS	RPM	WATTS	RPM	WATTS	RPM	WATTS	RPM	WATTS
1400	—	—	—	780	370	815	385	875	425	930	460	970	490	1030	540	1065	570	1105	595	1150	615	1195	645	1235	660	1275	680	1300	705	1340	745
1500	—	—	—	795	405	840	415	895	440	945	500	995	540	1045	595	1080	615	1135	650	1185	675	1215	700	1255	735	1295	750	1320	775	1365	805
1600	—	—	780	390	805	425	870	470	915	510	965	560	1015	600	1060	640	1105	680	1145	705	1180	730	1225	750	1275	790	1340	840	1365	880	
1700	—	—	795	450	840	490	895	530	940	570	990	605	1035	640	1075	680	1120	725	1160	755	1200	790	1245	815	1300	855	1355	905	1375	940	
1800	780	455	815	470	870	540	915	560	965	615	1010	660	1055	710	1100	760	1140	785	1175	810	1225	850	1260	880	1320	930	1365	985	1390	1020	
1900	800	485	850	530	895	590	945	640	995	675	1035	720	1070	775	1120	810	1160	850	1200	890	1245	915	1290	960	1335	1000	1375	1050	1405	1100	
2000	830	550	880	605	930	655	705	1005	1040	820	1060	880	1120	940	1155	980	1195	1020	1055	1100	1260	1285	1335	1370	1405	1450	1485	1520	1555	1600	
2100	860	615	915	655	955	705	1005	1040	1080	870	1130	910	1170	950	1210	995	1250	1020	1055	1100	1260	1285	1335	1370	1405	1450	1485	1520	1555	1600	
2200	895	680	945	735	995	780	1030	830	1060	880	1120	940	1155	980	1195	1020	1055	1100	1260	1285	1335	1370	1405	1450	1485	1520	1555	1600	1635	1670	
2300	940	755	975	795	1015	830	1065	910	1100	965	1150	1050	1180	1050	1225	1095	1265	1125	1310	1175	1350	1230	1375	1260	1405	1320	1450	1375	1500	1420	
2400	970	825	1015	880	1040	925	1100	1005	1145	1055	1175	1085	1225	1140	1260	1175	1300	1210	1340	1255	1370	1315	1400	1375	1450	1375	1450	1375	1450	1375	
2500	1015	910	1040	935	1095	1040	1145	1100	1170	1140	1200	1175	1260	1215	1305	1270	1360	1350	1400	1390	—	—	—	—	—	—	—	—	—	—	

NOTE: Bold lines separate L, M and N drives respectively.

DRIVE PACKAGE	"L"	"M"
MOTOR H.P.	3/4	1
BLOWER SHEAVE	6.4" PITCH DIAMETER	6.4" PITCH DIAMETER
MOTOR SHEAVE	2.8" - 3.8" PITCH DIAMETER - ADJ.	3.4" - 4.4" PITCH DIAMETER - ADJ.
TURNS OPEN	0 1 2 3 4 5 6	0 1 2 3 4 5 6
RPM	1095 1040 995 940 890 835 780 1405 1360 1305 1250 1195 1145 1095	

NOTE: Factory sheave settings are shown in bold print.

COMPONENT AIR RESISTANCE

COMPONENT	STANDARD INDOOR AIRFLOW - CFM									
	1000	1200	1400	1600	1800	2000	2200	2400	2600	2800
WET COIL	.035	.040	.060	.070	.085	.100	.110	.120	.125	.130
DOWNFLOW	.055	.060	.066	.072	.080	.086	.093	.100	.107	.115
ECONOMIZER R. A. DAMPER	.05	.06	.07	.08	.09	.10	.11	.12	.13	.15

NOTES:

1. PERFORMANCE SHOWN WITH DRY COIL & STANDARD 1" FILTERS
2. STANDARD CFM @ .075 LBS./CU. FT.
3. MOTOR EFFICIENCY = 80%
4. BHP = WATTS X MOTOR EFF.
5. ADD COMPONENT RESISTANCE TO DUCT STATIC TO DETERMINE TOTAL E.S.P.

INDOOR AIRFLOW PERFORMANCE FOR 3-5 TON PACKAGE GAS ELECTRIC UNITS – RKPL BELT DRIVE

5 TON - 14 SEER MODELS

AIRFLOW PERFORMANCE - 5 TON [17.6 kW] BELT DRIVE

Air Flow CFM [L/s]		Capacity 5 Ton [17.6kW] — 14 SEER		Voltage 208/230-460 — 3 phase		External Static Pressure — Inches of Water [kPa]																										
		0.1 [0.02]		0.2 [0.05]		0.3 [0.07]		0.4 [0.10]		0.5 [0.12]		0.6 [0.15]		0.7 [0.17]		0.8 [0.20]		0.9 [0.22]		1.0 [0.25]		1.1 [0.27]		1.2 [0.30]		1.3 [0.32]		1.4 [0.35]		1.5 [0.37]		
RPM	W	RPM	W	RPM	W	RPM	W	RPM	W	RPM	W	RPM	W	RPM	W	RPM	W	RPM	W	RPM	W	RPM	W	RPM	W	RPM	W	RPM	W			
1400 [661]	—	—	—	—	—	—	—	—	—	—	—	—	—	—	—	—	—	—	—	—	—	—	—	—	—	—	—	—	—			
1500 [708]	—	—	—	—	—	—	—	—	—	—	—	—	—	—	—	—	—	—	—	—	—	—	—	—	—	—	—	—	—			
1600 [755]	—	—	—	—	—	—	—	—	—	—	—	—	—	—	—	—	—	—	—	—	—	—	—	—	—	—	—	—	—			
1700 [802]	—	—	—	—	—	—	—	—	—	—	—	—	—	—	—	—	—	—	—	—	—	—	—	—	—	—	—	—	—			
1800 [849]	—	—	—	—	—	—	—	—	—	—	—	—	—	—	—	—	—	—	—	—	—	—	—	—	—	—	—	—	—			
1900 [897]	788	507	828	574	869	625	910	668	952	706	993	741	1035	772	1057	828	1087	892	1118	953	1151	1011	1168	1099	1202	1154	1237	1207	1270	1258	1300	1307
2000 [944]	817	578	857	644	898	695	939	739	981	777	1022	811	1044	848	1073	916	1103	980	1134	1041	1168	1099	1202	1154	1237	1207	1270	1258	1300	1307		
2100 [991]	845	653	885	720	927	771	968	814	1009	852	1035	869	1064	943	1093	1011	1123	1075	1154	1136	1187	1194	1222	1249	1256	1302	1290	1353	—	—		
2200 [1038]	873	734	913	801	955	852	996	896	1037	934	1057	971	1086	1044	1115	1113	1176	1177	1238	1210	1295	1244	1350	1403	—	—	—	—	—	—		
2300 [1085]	902	821	942	888	983	939	1024	983	1049	1000	1081	1080	1111	1153	1140	1222	1169	1286	1207	1347	1234	1404	1269	1459	—	—	—	—	—	—		
2400 [1133]	933	914	973	981	1014	1032	1036	1028	1075	1116	1107	1196	1137	1270	1165	1338	1195	1402	1227	1463	—	—	—	—	—	—	—	—	—	—	—	
2500 [1180]	970	1013	1010	1080	1035	1052	1062	1152	1101	1240	1133	1320	1163	1393	1191	1462	—	—	—	—	—	—	—	—	—	—	—	—	—	—	—	

NOTE: L-Drive left of bold line. M-Drive right of bold line.

Drive Package	L	M
Motor H.P. [W]	¾ [559]	1 [746]
Blower Sheave	6.9" Pitch Diameter	6.9" Pitch Diameter
Motor Sheave	2.8"-3.8" Pitch Diameter - Adj.	4.0"-5.0" Pitch Diameter - Adj.
Turns Open	0 1 2 3 4 5	0 1 2 3 4 5
RPM	1007 963 922 880 833 785	1272 1242 1210 1172 1130 1089

NOTE: Factory sheave settings are shown in bold print.

[] Designates Metric Conversions

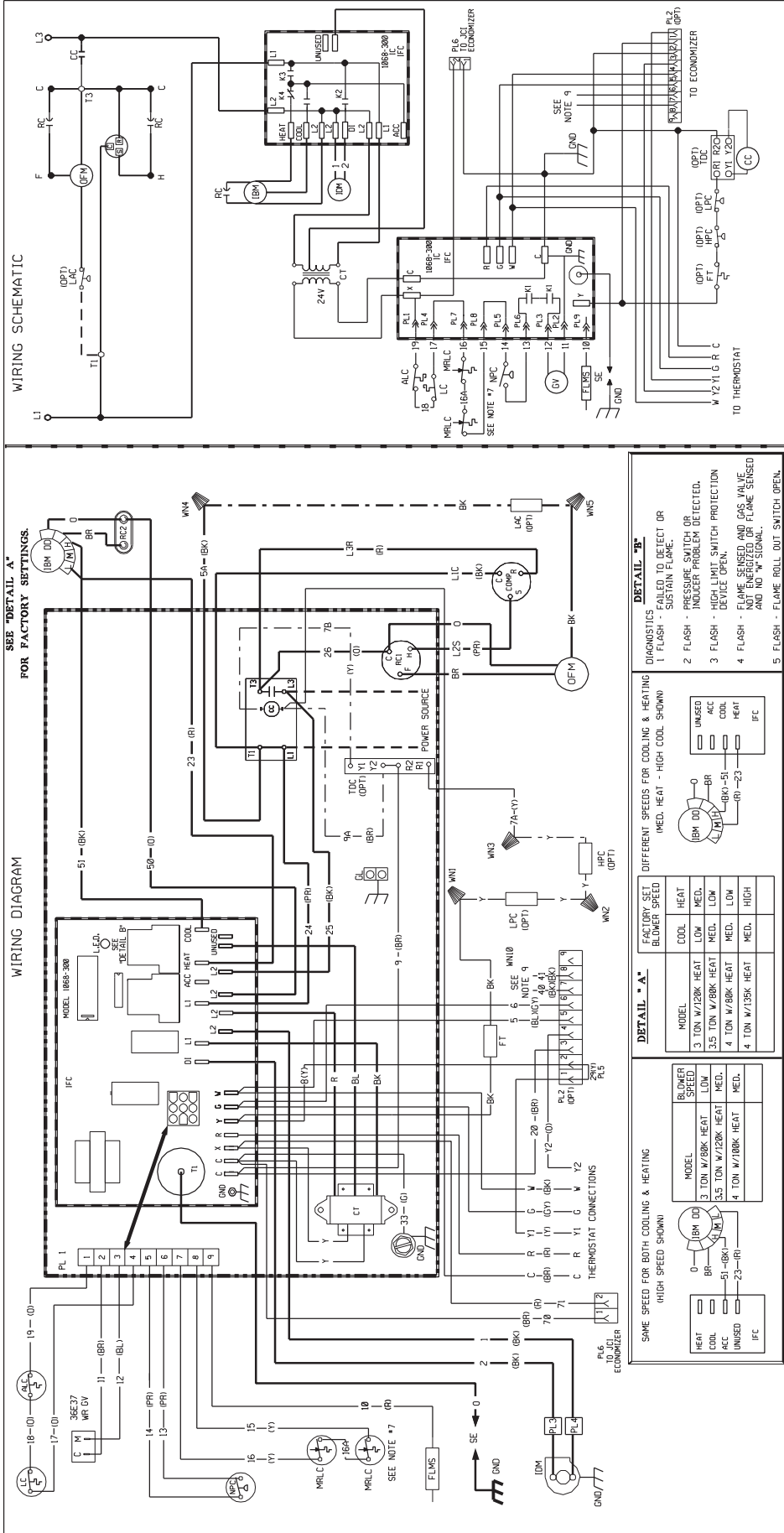
COMPONENT AIR RESISTANCE

COMPONENT	STANDARD INDOOR AIRFLOW - CFM								RESISTANCE - INCHES WATER												
	1000	1200	1400	1600	1800	2000	2200	2400	2600	2800	.035	.040	.060	.070	.085	.100	.110	.120	.125	.130	
WET COIL																					
DOWNFLOW																					
ECONOMIZER R.A. DAMPER																					

NOTES:

1. PERFORMANCE SHOWN WITH DRY COIL & STANDARD 1" FILTERS
2. STANDARD CFM @ .075 LBS./CU. FT.
3. MOTOR EFFICIENCY = 80%
4. BHP = WATTS X MOTOR EFF. / 746
5. ADD COMPONENT RESISTANCE TO DUCT STATIC TO DETERMINE TOTAL E.S.P.

FIGURE 23
WIRING DIAGRAM



WIRING SCHEMATIC

WIRING DIAGRAM

SEE 'DETAIL A' FOR FACTORY SETTINGS

COMPONENT CODE

AUX-LIMIT CONTROL
 ALC
 COMPRESSOR CONTACTOR
 CCM
 CONTROL TRANSFORMER
 CT
 FLAME SENSOR
 FT
 FREEZE STAT
 FT
 GROUND LUC
 GL
 GAS VALVE
 GV
 HIGH PRESSURE CONTROL
 HPC
 INDOOR BLOWER MOTOR DIRECT DRIVE
 IDB
 INDUCED DRAFT MOTOR
 IDM
 INTEGRATED FURNACE CONTROL
 IFC
 LOW AMBIENT COOLING CONTROL
 LAC
 LIMIT CONTROL
 LC
 LOW PRESSURE CONTROL
 LPC
 MANUAL RESET LIMIT CONTROL
 MRLC
 NEGATIVE PRESSURE CONTROL
 NPC

WIRE COLOR CODE

BK__BLACK
 BR__BROWN
 BL__BLUE
 G__GREEN
 GR__GRAY
 O__ORANGE
 PR__PURPLE
 R__RED
 W__WHITE
 Y__YELLOW

ELECTRICAL WIRING DIAGRAM

208 / 230V, 1 PHASE
 DIRECT DRIVE

DETAIL *A*

SAME SPEED FOR BOTH COOLING & HEATING (HIGH SPEED SHOWN)

MODEL	COOL	HEAT
3 TON W/120K HEAT	LOW	MED.
3.5 TON W/120K HEAT	MED.	LOW
4 TON W/120K HEAT	MED.	LOW
4 TON W/120K HEAT	MED.	HIGH

DETAIL *B*

DIAGNOSTICS

- FLASH - SIGNAL TO DEFECT OR SUSPECT FLAME
- FLASH - PRESSURE SWITCH OR INDOOR PROBLEM DETECTED.
- FLASH - DISCIPLE SWITCH PROTECTION
- FLASH - FLAME SENSED AND GAS VALVE NOT ENERGIZED OR FLAME SENSED AND NO "W" SIGNAL.
- FLASH - FLAME ROLL OUT SWITCH OPEN.

WIRING INFORMATION

LINE VOLTAGE

- FACTORY STANDARD
- FACTORY OPTION
- FIELD INSTALLED

LOW VOLTAGE

- FACTORY STANDARD
- FACTORY OPTION
- FIELD INSTALLED

REPLACEMENT WIRE
 -MUST BE THE SAME SIZE AND TYPE OF INSULATION AS ORIGINAL (105 C MIN.)
 -CABINET MUST BE PERMANENTLY GROUNDED AND CONFORM TO I.E.C., N.E.C., C.E.C. AND LOCAL CODES AS APPLICABLE.

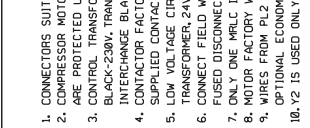
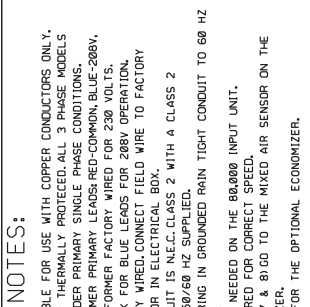
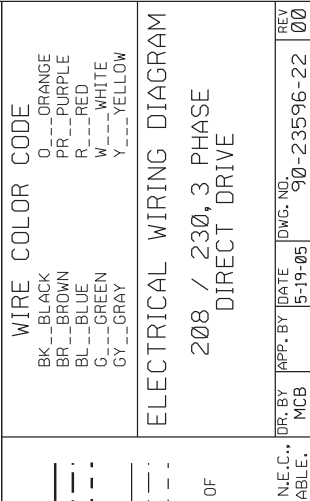
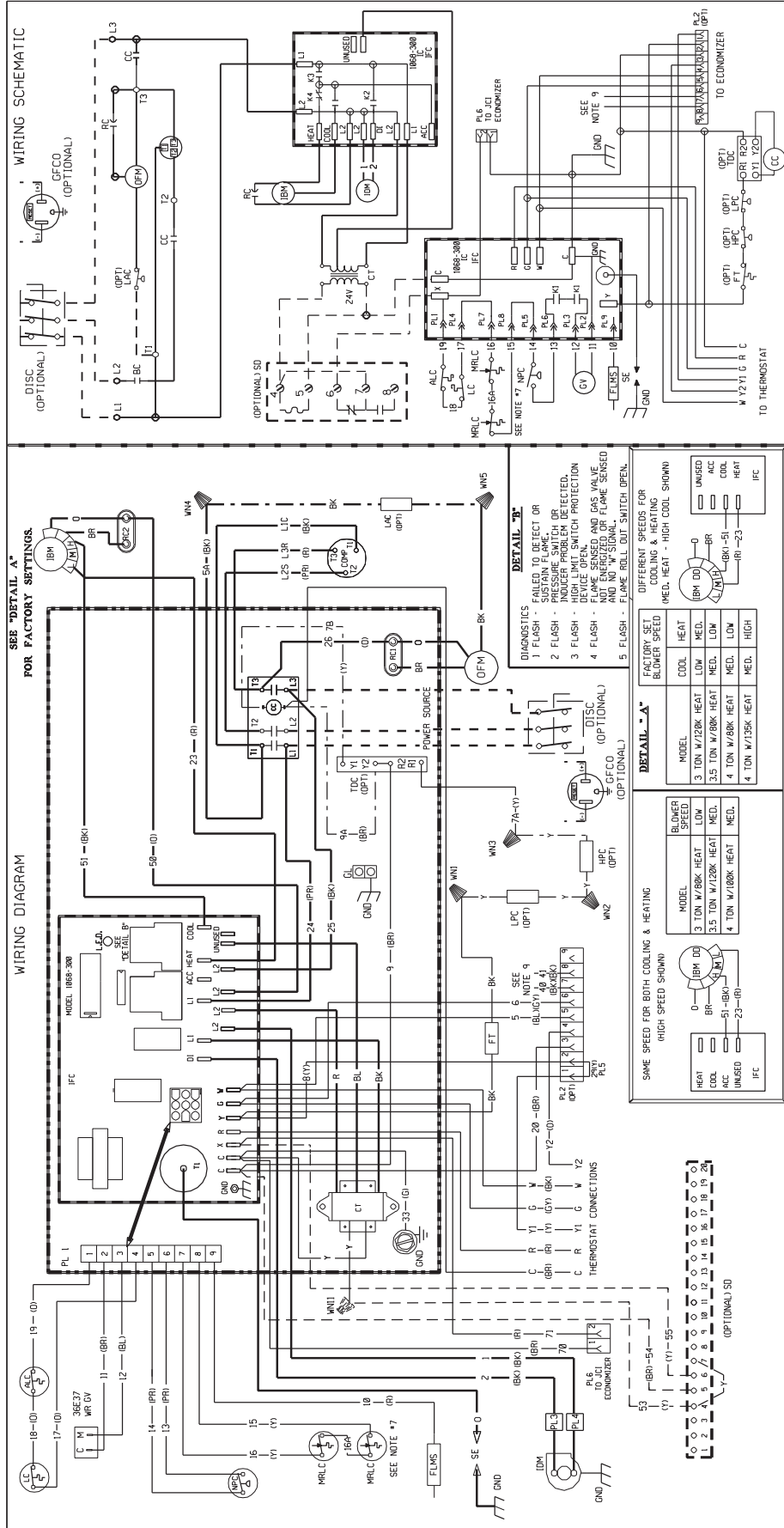
NOTES:

- CONNECTORS SUITABLE FOR USE WITH COPPER CONDUCTORS ONLY.
- COMPRESSOR MOTOR THERMALLY PROTECTED, ALL 3 PHASE MODELS ARE PROTECTED UNDER PRIMARY SINGLE PHASE CONDITIONS.
- CONTROL TRANSFORMER PRIMARY LEADS: RED-COMMON, BLUE-208V, BLACK-230V, TRANSFORMER FACTORY WIRED FOR 230 VOLTS.
- INDUCED DRAFT MOTOR LEADS: RED-COMMON, BLUE-208V OPERATION, BLACK-230V OPERATION, WIRE CONNECTION FIELD WIRE TO FACTORY SUPPLIED CONTACTOR IN ELECTRICAL BOX.
- LOW VOLTAGE CIRCUIT IS N.E.C. CLASS 2 WITH A CLASS 2 TRANSFORMER, 24V, 50/60 HZ SUPPLIED.
- CONNECT FIELD WIRING IN GROUNDED RAIN TIGHT CONDUIT TO 60 HZ FUSED DISCONNECT.
- ONLY ONE MRLC IS NEEDED ON THE 00A000 INPUT UNIT.
- INDUCED DRAFT MOTOR LEADS: RED-COMMON, BLUE-208V, BLACK-230V OPERATION, WIRE CONNECTION FIELD WIRE TO FACTORY SUPPLIED CONTACTOR IN ELECTRICAL BOX.
- WIRES FROM PL 47 & 80 TO THE MIXED AIR SENSOR ON THE OPTIONAL ECONOMIZER.
- Y2 IS USED ONLY FOR THE OPTIONAL ECONOMIZER.

DWG. NO. 90-23596-23

REV 00

FIGURE 24
WIRING DIAGRAM



COMPONENT CODE

ALC	AUX. LIMIT CONTROL
CC	COMPRESSOR CONTACTOR
CT	CONTROL TRANSFORMER
DISC	DISCONNECT SWITCH
FLMS	FLAME SENSOR
FT	FREEZE STAT
GFCO	GROUND FAULT CONVENIENCE OUTLET
GND	GROUND
GL	GAS VALVE
GV	HIGH PRESSURE CONTROL
IFC	INDUCED DRAFT MOTOR
IDM	INTERGRADED FURNACE CONTROL
IFC	LOW AMBIENT COOLING CONTROL
LAC	LIMIT CONTROL
LPC	LOW PRESSURE CONTROL
MRLC	MIXED RAIN RESET LIMIT CONTROL
NPC	NEGATIVE PRESSURE CONTROL
OFM	OUTDOOR FAN MOTOR
PL	PLUG
RC	RUN CAPACITOR
SD	SMOKE DETECTOR
SE	SPARK ELECTRODE
TDC	TIME DELAY CONTROL
WN	WIRE NUT

NOTES:

- CONNECTORS SUITABLE FOR USE WITH COPPER CONDUCTORS ONLY.
- COMPRESSOR MOTOR THERMALLY PROTECTED. ALL 3 PHASE MODELS ARE PROTECTED UNDER PRIMARY SINGLE PHASE CONDITIONS.
- CONTROL TRANSFORMER PRIMARY LEADS: RED-COMMON, BLUE-208V, BLACK-230V. TRANSFORMER FACTORY WIRED FOR 230 VOLTS. INTERCHANGE BLACK FOR BLUE LEADS FOR 208V OPERATION.
- CONTRACTOR FACTORY WIRED. CONNECT FIELD WIRE TO FACTORY SUPPLIED CONTACTOR IN ELECTRICAL BOX.
- LOW VOLTAGE CIRCUIT IS A.E.C. CLASS 2 WITH A CLASS 2 TRANSFORMER, 24V/50/60 HZ SUPPLIED.
- CONNECT FIELD WIRING IN GROUNDED RAIN TIGHT CONDUIT TO 60 HZ FUSED DISCONNECT.
- ONLY ONE MRLC IS NEEDED ON THE 60/200V INPUT UNIT.
- MOTOR FACTORY WIRED FOR CORRECT SPEED.
- WIRES FROM PL2 17 & B10 TO THE MIXED AIR SENSOR ON THE OPTIONAL ECONOMIZER.
- 10, 12 IS USED ONLY FOR THE OPTIONAL ECONOMIZER.

WIRING INFORMATION

LINE VOLTAGE
-FACTORY STANDARD
-FACTORY OPTION
-FIELD INSTALLED

LOW VOLTAGE
-FACTORY STANDARD
-FACTORY OPTION
-FIELD INSTALLED

REPLACEMENT WIRE
-MUST BE THE SAME SIZE AND TYPE OF INSULATION AS ORIGINAL (105 C MIN.)

WARNING
-CABINET MUST BE PERMANENTLY GROUNDED AND CONFORM TO I.E.C., N.E.C., C.E.C. AND LOCAL CODES AS APPLICABLE.

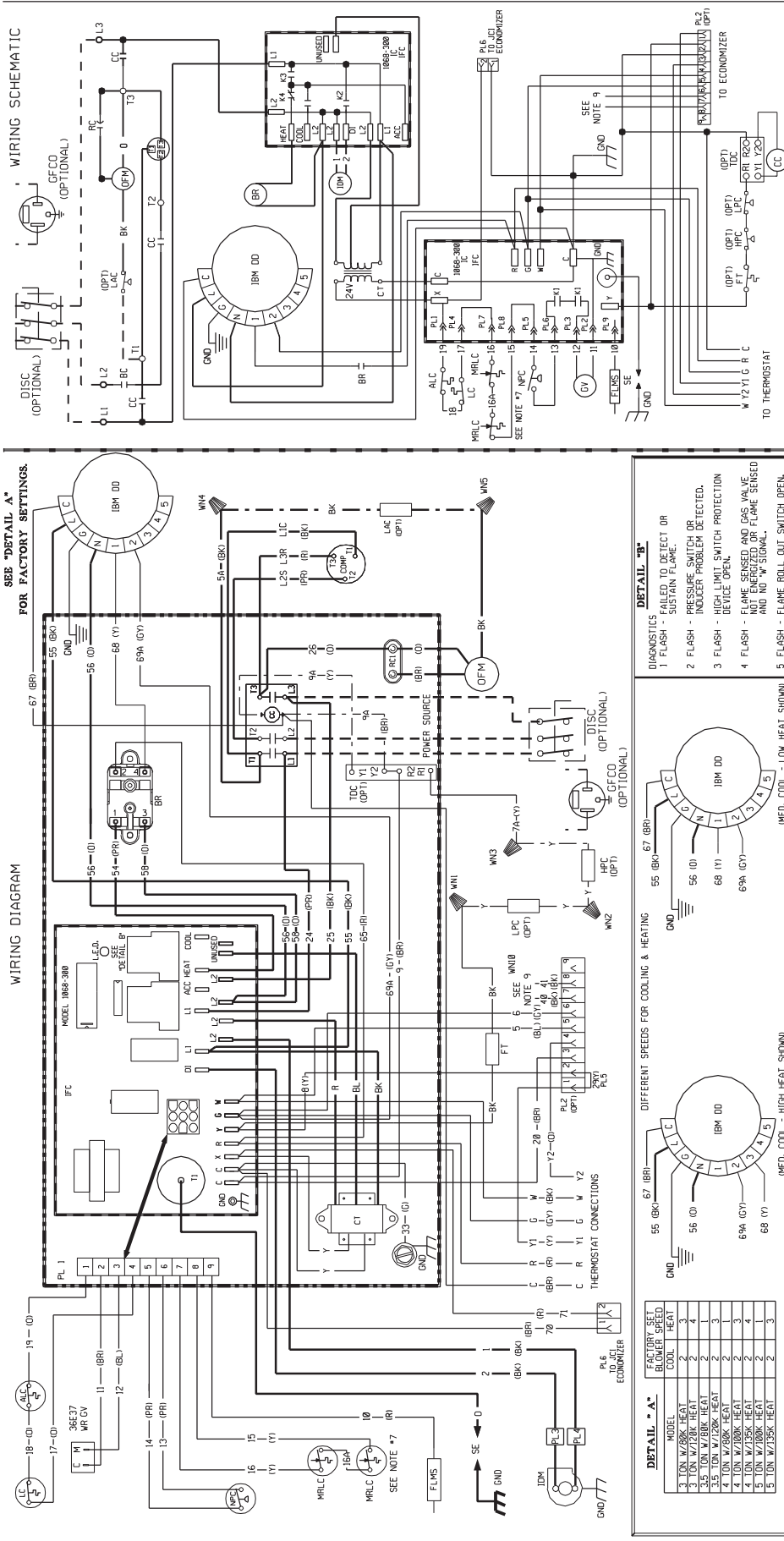
WIRE COLOR CODE

BK	BLACK
BR	BROWN
BL	BLUE
C	GREEN
GY	GRAY
O	ORANGE
PR	PURPLE
R	RED
W	WHITE
Y	YELLOW

ELECTRICAL WIRING DIAGRAM
208 / 230, 3 PHASE
DIRECT DRIVE

DR. BY: MCB
APP. BY: DATE
5-19-05
DWG. NO. 910-23596-22
REV 00

FIGURE 26
WIRING DIAGRAM



SEE "DETAIL A" FOR FACTORY SETTINGS.

WIRING DIAGRAM

WIRING SCHEMATIC

DISC (OPTIONAL)

IBM DD

MODEL 1068-200

DIFFERENT SPEEDS FOR COOLING & HEATING

DETAIL "A"

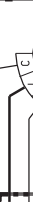
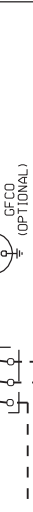
DETAIL "B"

WIRE COLOR CODE

ELECTRICAL WIRING DIAGRAM

208 / 230, 3 PHASE DIRECT DRIVE w/ X-MOTOR

DR. BY DATE DWG. NO. REV



DIFFERENT SPEEDS FOR COOLING & HEATING

MODEL	FACTORY SET BLOWER SPEED	COOL	HEAT
3 TON W/208K HEAT	2	3	4
3 TON W/230K HEAT	2	3	4
3.5 TON W/208K HEAT	2	3	3
3.5 TON W/230K HEAT	2	3	3
4 TON W/208K HEAT	2	3	3
4 TON W/230K HEAT	2	3	3
5 TON W/208K HEAT	2	3	3
5 TON W/230K HEAT	2	3	3

WIRE COLOR CODE

BK	BLACK	GY	GRAY	R	RED
BR	BROWN	O	ORANGE	W	WHITE
BL	BLUE	PK	PINK	Y	YELLOW
G	GREEN	PR	PURPLE		

ELECTRICAL WIRING DIAGRAM

208 / 230, 3 PHASE DIRECT DRIVE w/ X-MOTOR

DR. BY DATE DWG. NO. REV

COMPONENT CODE

NOTES:

CONNECTORS SUITABLE FOR USE WITH COPPER CONDUCTORS ONLY.

COMPRESSOR MOTOR THERMALLY PROTECTED ALL 3 PHASE MODELS ARE PROTECTED UNDER PRIMARY LEADS: RED-COMMON, BLUE-208V, BLACK-230V. TRANSFORMER FACTORY WIRED FOR 230 VOLTS.

INTERCHANGE BLACK FOR BLUE LEADS FOR 208V OPERATION.

CONTRACTOR FACTORY WIRED. CONNECT FIELD WIRE TO FACTORY WIRE. WIRE COLOR CODE IS ELECTRICAL BOX.

30A CIRCUIT BREAKER SUPPLIED WITH CLASS 2 TRANSFORMER. 24V/50/60 HZ SUPPLIED WITH A CLASS 2 FUSED DISCONNECT.

ONLY ONE MRLC IS NEEDED ON THE 08,000 INPUT UNIT.

MOTOR FACTORY WIRED FOR CORRECT SPEED.

WIRING INFORMATION

LINE VOLTAGE

-FACTORY STANDARD

-FACTORY OPTION

-FIELD INSTALLED

LOW VOLTAGE

-FACTORY STANDARD

-FIELD INSTALLED

REPLACEMENT WIRE

MUST BE THE SAME SIZE AND TYPE OF INSULATION AS ORIGINAL (105 C° MIN.)

WARNING

-CABINET MUST BE PERMANENTLY GROUNDED AND CONFORM TO I.E.C., N.E.C., C.E.C. AND LOCAL CODES AS APPLICABLE.

DIAGNOSTICS - FAILED TO DETECT OR SUSTAIN FLAME.

1 FLASH - PRESSURE SWITCH OR INDUCER PROBLEM DETECTED.

2 FLASH - HIGH LIMIT SWITCH PROTECTION DEVICE OPEN.

3 FLASH - FLAME SENSED AND GAS VALVE NOT OPENING. FLAME SENSED AND NOT W/STAY.

4 FLASH - FLAME ROLL OUT SWITCH OPEN.

5 FLASH - LOW HEAT SHOWN

WIRING INFORMATION

LINE VOLTAGE

-FACTORY STANDARD

-FACTORY OPTION

-FIELD INSTALLED

LOW VOLTAGE

-FACTORY STANDARD

-FIELD INSTALLED

REPLACEMENT WIRE

MUST BE THE SAME SIZE AND TYPE OF INSULATION AS ORIGINAL (105 C° MIN.)

WARNING

-CABINET MUST BE PERMANENTLY GROUNDED AND CONFORM TO I.E.C., N.E.C., C.E.C. AND LOCAL CODES AS APPLICABLE.

DIAGNOSTICS - FAILED TO DETECT OR SUSTAIN FLAME.

1 FLASH - PRESSURE SWITCH OR INDUCER PROBLEM DETECTED.

2 FLASH - HIGH LIMIT SWITCH PROTECTION DEVICE OPEN.

3 FLASH - FLAME SENSED AND GAS VALVE NOT OPENING. FLAME SENSED AND NOT W/STAY.

4 FLASH - FLAME ROLL OUT SWITCH OPEN.

5 FLASH - LOW HEAT SHOWN

WIRING INFORMATION

LINE VOLTAGE

-FACTORY STANDARD

-FACTORY OPTION

-FIELD INSTALLED

LOW VOLTAGE

-FACTORY STANDARD

-FIELD INSTALLED

REPLACEMENT WIRE

MUST BE THE SAME SIZE AND TYPE OF INSULATION AS ORIGINAL (105 C° MIN.)

WARNING

-CABINET MUST BE PERMANENTLY GROUNDED AND CONFORM TO I.E.C., N.E.C., C.E.C. AND LOCAL CODES AS APPLICABLE.

DIAGNOSTICS - FAILED TO DETECT OR SUSTAIN FLAME.

1 FLASH - PRESSURE SWITCH OR INDUCER PROBLEM DETECTED.

2 FLASH - HIGH LIMIT SWITCH PROTECTION DEVICE OPEN.

3 FLASH - FLAME SENSED AND GAS VALVE NOT OPENING. FLAME SENSED AND NOT W/STAY.

4 FLASH - FLAME ROLL OUT SWITCH OPEN.

5 FLASH - LOW HEAT SHOWN

WIRING INFORMATION

LINE VOLTAGE

-FACTORY STANDARD

-FACTORY OPTION

-FIELD INSTALLED

LOW VOLTAGE

-FACTORY STANDARD

-FIELD INSTALLED

REPLACEMENT WIRE

MUST BE THE SAME SIZE AND TYPE OF INSULATION AS ORIGINAL (105 C° MIN.)

WARNING

-CABINET MUST BE PERMANENTLY GROUNDED AND CONFORM TO I.E.C., N.E.C., C.E.C. AND LOCAL CODES AS APPLICABLE.

DIAGNOSTICS - FAILED TO DETECT OR SUSTAIN FLAME.

1 FLASH - PRESSURE SWITCH OR INDUCER PROBLEM DETECTED.

2 FLASH - HIGH LIMIT SWITCH PROTECTION DEVICE OPEN.

3 FLASH - FLAME SENSED AND GAS VALVE NOT OPENING. FLAME SENSED AND NOT W/STAY.

4 FLASH - FLAME ROLL OUT SWITCH OPEN.

5 FLASH - LOW HEAT SHOWN

WIRING INFORMATION

LINE VOLTAGE

-FACTORY STANDARD

-FACTORY OPTION

-FIELD INSTALLED

LOW VOLTAGE

-FACTORY STANDARD

-FIELD INSTALLED

REPLACEMENT WIRE

MUST BE THE SAME SIZE AND TYPE OF INSULATION AS ORIGINAL (105 C° MIN.)

WARNING

-CABINET MUST BE PERMANENTLY GROUNDED AND CONFORM TO I.E.C., N.E.C., C.E.C. AND LOCAL CODES AS APPLICABLE.

DIAGNOSTICS - FAILED TO DETECT OR SUSTAIN FLAME.

1 FLASH - PRESSURE SWITCH OR INDUCER PROBLEM DETECTED.

2 FLASH - HIGH LIMIT SWITCH PROTECTION DEVICE OPEN.

3 FLASH - FLAME SENSED AND GAS VALVE NOT OPENING. FLAME SENSED AND NOT W/STAY.

4 FLASH - FLAME ROLL OUT SWITCH OPEN.

5 FLASH - LOW HEAT SHOWN

WIRING INFORMATION

LINE VOLTAGE

-FACTORY STANDARD

-FACTORY OPTION

-FIELD INSTALLED

LOW VOLTAGE

-FACTORY STANDARD

-FIELD INSTALLED

REPLACEMENT WIRE

MUST BE THE SAME SIZE AND TYPE OF INSULATION AS ORIGINAL (105 C° MIN.)

WARNING

-CABINET MUST BE PERMANENTLY GROUNDED AND CONFORM TO I.E.C., N.E.C., C.E.C. AND LOCAL CODES AS APPLICABLE.

DIAGNOSTICS - FAILED TO DETECT OR SUSTAIN FLAME.

1 FLASH - PRESSURE SWITCH OR INDUCER PROBLEM DETECTED.

2 FLASH - HIGH LIMIT SWITCH PROTECTION DEVICE OPEN.

3 FLASH - FLAME SENSED AND GAS VALVE NOT OPENING. FLAME SENSED AND NOT W/STAY.

4 FLASH - FLAME ROLL OUT SWITCH OPEN.

5 FLASH - LOW HEAT SHOWN

WIRING INFORMATION

LINE VOLTAGE

-FACTORY STANDARD

-FACTORY OPTION

-FIELD INSTALLED

LOW VOLTAGE

-FACTORY STANDARD

-FIELD INSTALLED

REPLACEMENT WIRE

MUST BE THE SAME SIZE AND TYPE OF INSULATION AS ORIGINAL (105 C° MIN.)

WARNING

-CABINET MUST BE PERMANENTLY GROUNDED AND CONFORM TO I.E.C., N.E.C., C.E.C. AND LOCAL CODES AS APPLICABLE.

DIAGNOSTICS - FAILED TO DETECT OR SUSTAIN FLAME.

1 FLASH - PRESSURE SWITCH OR INDUCER PROBLEM DETECTED.

2 FLASH - HIGH LIMIT SWITCH PROTECTION DEVICE OPEN.

3 FLASH - FLAME SENSED AND GAS VALVE NOT OPENING. FLAME SENSED AND NOT W/STAY.

4 FLASH - FLAME ROLL OUT SWITCH OPEN.

5 FLASH - LOW HEAT SHOWN

WIRING INFORMATION

LINE VOLTAGE

-FACTORY STANDARD

-FACTORY OPTION

-FIELD INSTALLED

LOW VOLTAGE

-FACTORY STANDARD

-FIELD INSTALLED

REPLACEMENT WIRE

MUST BE THE SAME SIZE AND TYPE OF INSULATION AS ORIGINAL (105 C° MIN.)

WARNING

-CABINET MUST BE PERMANENTLY GROUNDED AND CONFORM TO I.E.C., N.E.C., C.E.C. AND LOCAL CODES AS APPLICABLE.

DIAGNOSTICS - FAILED TO DETECT OR SUSTAIN FLAME.

1 FLASH - PRESSURE SWITCH OR INDUCER PROBLEM DETECTED.

2 FLASH - HIGH LIMIT SWITCH PROTECTION DEVICE OPEN.

3 FLASH - FLAME SENSED AND GAS VALVE NOT OPENING. FLAME SENSED AND NOT W/STAY.

4 FLASH - FLAME ROLL OUT SWITCH OPEN.

5 FLASH - LOW HEAT SHOWN

WIRING INFORMATION

LINE VOLTAGE

-FACTORY STANDARD

-FACTORY OPTION

-FIELD INSTALLED

LOW VOLTAGE

-FACTORY STANDARD

-FIELD INSTALLED

REPLACEMENT WIRE

MUST BE THE SAME SIZE AND TYPE OF INSULATION AS ORIGINAL (105 C° MIN.)

WARNING

-CABINET MUST BE PERMANENTLY GROUNDED AND CONFORM TO I.E.C., N.E.C., C.E.C. AND LOCAL CODES AS APPLICABLE.

DIAGNOSTICS - FAILED TO DETECT OR SUSTAIN FLAME.

1 FLASH - PRESSURE SWITCH OR INDUCER PROBLEM DETECTED.

2 FLASH - HIGH LIMIT SWITCH PROTECTION DEVICE OPEN.

3 FLASH - FLAME SENSED AND GAS VALVE NOT OPENING. FLAME SENSED AND NOT W/STAY.

4 FLASH - FLAME ROLL OUT SWITCH OPEN.

5 FLASH - LOW HEAT SHOWN

WIRING INFORMATION

LINE VOLTAGE

-FACTORY STANDARD

-FACTORY OPTION

-FIELD INSTALLED

LOW VOLTAGE

-FACTORY STANDARD

-FIELD INSTALLED

REPLACEMENT WIRE

MUST BE THE SAME SIZE AND TYPE OF INSULATION AS ORIGINAL (105 C° MIN.)

WARNING

-CABINET MUST BE PERMANENTLY GROUNDED AND CONFORM TO I.E.C., N.E.C., C.E.C. AND LOCAL CODES AS APPLICABLE.

DIAGNOSTICS - FAILED TO DETECT OR SUSTAIN FLAME.

1 FLASH - PRESSURE SWITCH OR INDUCER PROBLEM DETECTED.

2 FLASH - HIGH LIMIT SWITCH PROTECTION DEVICE OPEN.

3 FLASH - FLAME SENSED AND GAS VALVE NOT OPENING. FLAME SENSED AND NOT W/STAY.

4 FLASH - FLAME ROLL OUT SWITCH OPEN.

5 FLASH - LOW HEAT SHOWN

WIRING INFORMATION

LINE VOLTAGE

-FACTORY STANDARD

-FACTORY OPTION

-FIELD INSTALLED

LOW VOLTAGE

-FACTORY STANDARD

-FIELD INSTALLED

REPLACEMENT WIRE

MUST BE THE SAME SIZE AND TYPE OF INSULATION AS ORIGINAL (105 C° MIN.)

WARNING

-CABINET MUST BE PERMANENTLY GROUNDED AND CONFORM TO I.E.C., N.E.C., C.E.C. AND LOCAL CODES AS APPLICABLE.

DIAGNOSTICS - FAILED TO DETECT OR SUSTAIN FLAME.

1 FLASH - PRESSURE SWITCH OR INDUCER PROBLEM DETECTED.

2 FLASH - HIGH LIMIT SWITCH PROTECTION DEVICE OPEN.

3 FLASH - FLAME SENSED AND GAS VALVE NOT OPENING. FLAME SENSED AND NOT W/STAY.

4 FLASH - FLAME ROLL OUT SWITCH OPEN.

5 FLASH - LOW HEAT SHOWN

WIRING INFORMATION

LINE VOLTAGE

-FACTORY STANDARD

-FACTORY OPTION

-FIELD INSTALLED

LOW VOLTAGE

-FACTORY STANDARD

-FIELD INSTALLED

REPLACEMENT WIRE

MUST BE THE SAME SIZE AND TYPE OF INSULATION AS ORIGINAL (105 C° MIN.)

WARNING

-CABINET MUST BE PERMANENTLY GROUNDED AND CONFORM TO I.E.C., N.E.C., C.E.C. AND LOCAL CODES AS APPLICABLE.

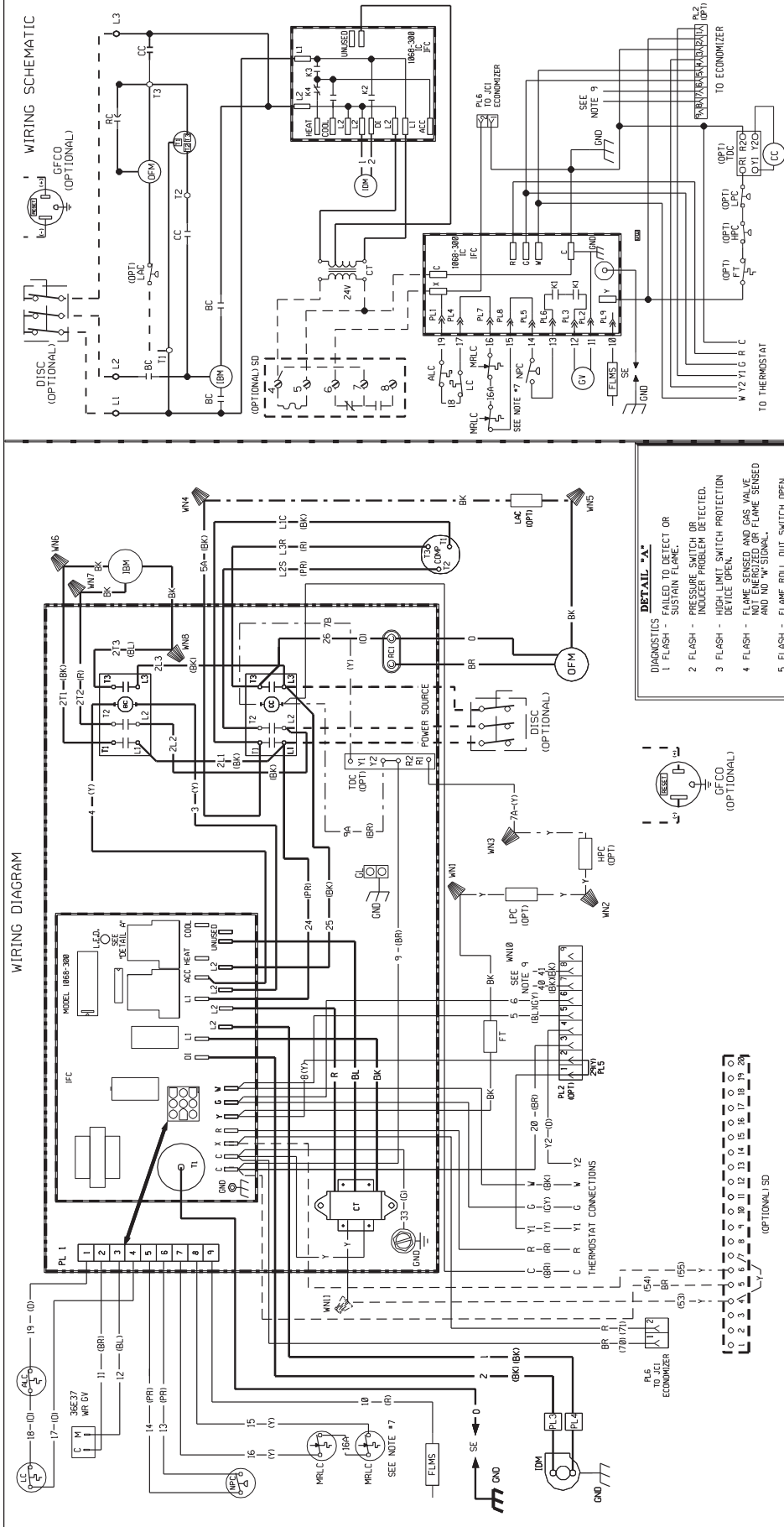
DIAGNOSTICS - FAILED TO DETECT OR SUSTAIN FLAME.

1 FLASH - PRESSURE SWITCH OR INDUCER PROBLEM DETECTED.

2 FLASH - HIGH LIMIT SWITCH PROTECTION DEVICE OPEN.

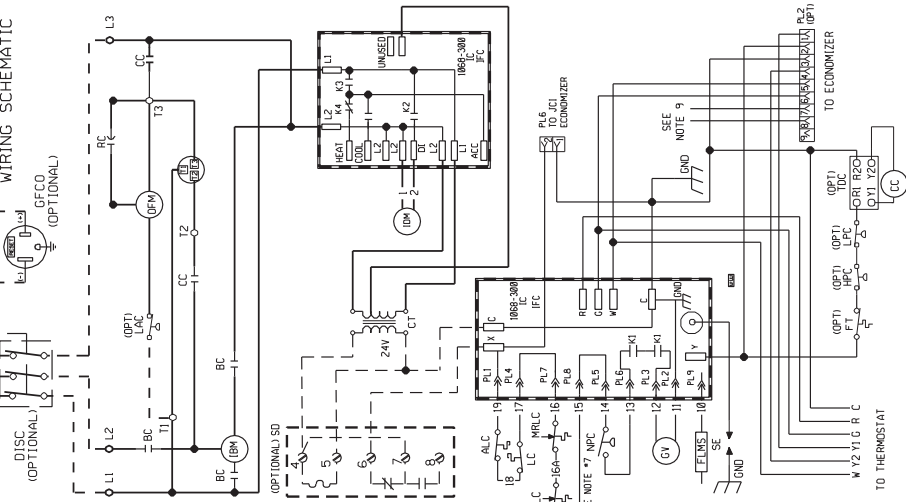
3 FLASH - FLAME SENSED AND GAS VALVE NOT OPENING. FLAME SENSED AND NOT W/STAY.

FIGURE 27
WIRING DIAGRAM



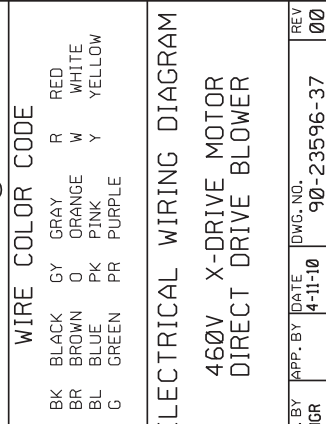
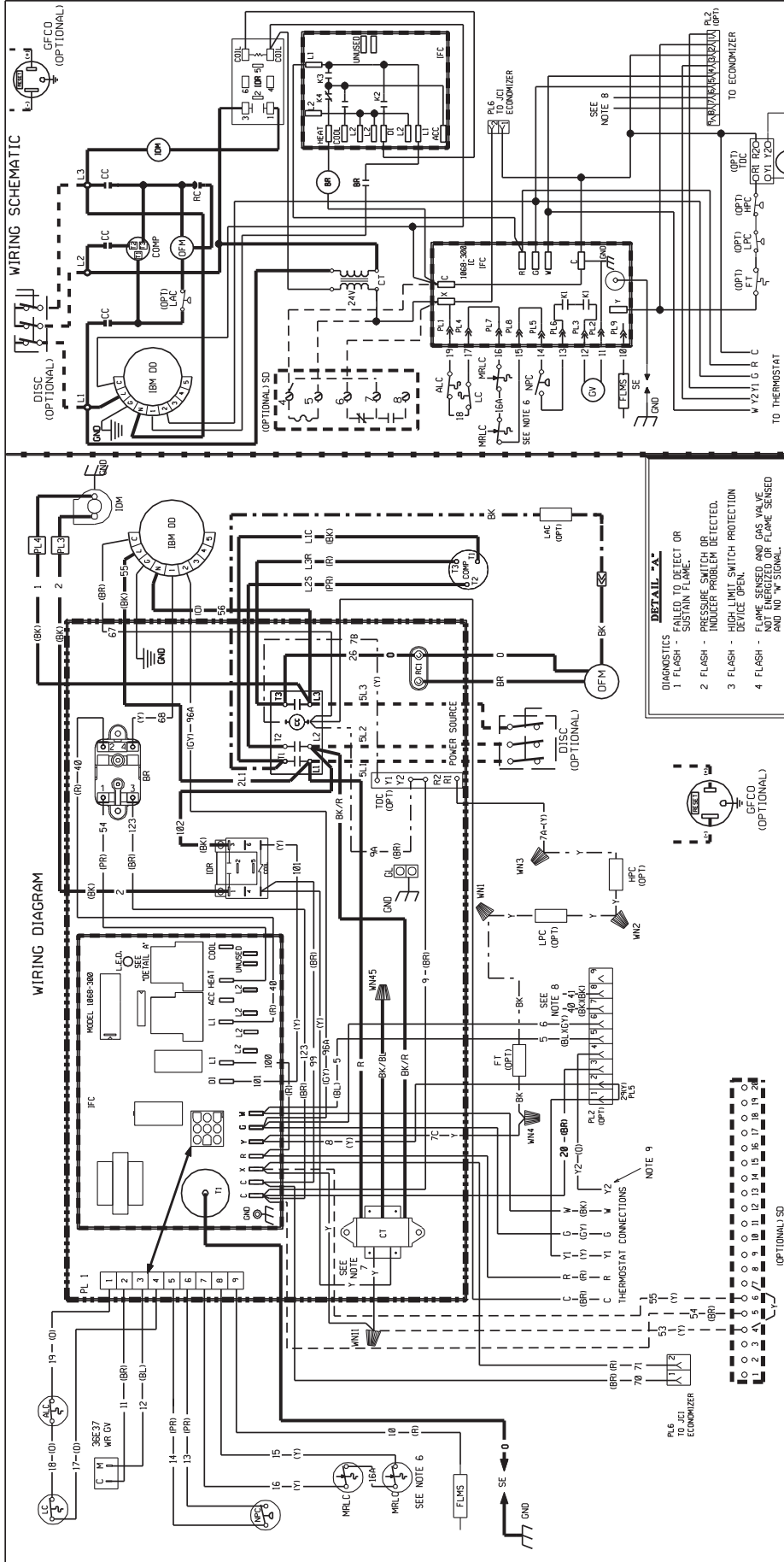
WIRING DIAGRAM

WIRING SCHEMATIC



<p>COMPONENT CODE</p> <p>AUX. LIMIT CONTROL BLOWER CONTACTOR COMPRESSOR CONTROL TRANSFORMER DISC DISCONNECT SWITCH FLMS FLAME SENSOR GFCC FREEZE STAT GND GROUND FAULT CONVENIENCE OUTLET GROUND LUG GROUND GAS VALVE HIGH PRESSURE CONTROL INDUCED BLOWER MOTOR DIRECT DRIVE INDUCED DRAFT MOTOR IDM INTERGRADED FURNACE CONTROL IFC INTEGRATED FURNACE CONTROL LHC LOW AMBIENT COOLING CONTROL</p>		<p>WIRE COLOR CODE</p> <p>BK _BLACK BR _BROWN BL _BLUE G _GREEN GR _GRAY O _ORANGE PR _PURPLE R _RED W _WHITE Y _YELLOW</p>	
<p>NOTES:</p> <ol style="list-style-type: none"> CONNECTORS SUITABLE FOR USE WITH COPPER CONDUCTORS ONLY. COMPRESSOR MOTOR THERMALLY PROTECTED ALL 3 PHASE MODELS ARE PROTECTED UNDER PRIMARY SINGLE PHASE CONDITIONS. CONTROL TRANSFORMER PRIMARY LEADS: RED-COMMON, BLUE-208V, BLACK-230V, TRANSFORMER FACTORY WIRE FOR 230 VOLTS. INTERCHANGE BLACK FOR BLUE LEADS FOR 208V OPERATION. CONTACTOR FACTORY WIRE, CONNECT FIELD WIRE TO FACTORY SUPPLIED CONTACTOR IN ELECTRICAL BOX. LOW VOLTAGE CIRCUIT IS N.E.C. CLASS 2 WITH A CLASS 2 TRANSFORMER, 24V/50/60 HZ SUPPLIED. CONNECT FIELD WIRING IN GROUNDING RAIN TIGHT CONDUIT TO 60 HZ FUSED DISCONNECT. ONLY ONE MRLC IS NEEDED ON THE 80/000 INPUT UNIT. MOTOR FACTORY WIRE FOR CORRECT SPEED. WIRES FROM PL 2 (7 & 8) GO TO THE MIXED AIR SENSOR ON THE OPTIONAL ECONOMIZER. WIRE Y2 IS USED ONLY FOR THE OPTIONAL ECONOMIZER. 		<p>WIRING INFORMATION</p> <p>LINE VOLTAGE</p> <p>--- STANDARD --- FACTORY OPTION --- FIELD INSTALLED</p> <p>LOW VOLTAGE</p> <p>--- STANDARD --- FACTORY OPTION --- FIELD INSTALLED</p> <p>REPLACEMENT WIRE -MUST BE THE SAME SIZE AND TYPE OF INSULATION AS ORIGINAL (105 C MIN.) -CABINET MUST BE PERMANENTLY GROUNDED AND CONFORM TO I.E.C., N.E.C., AND LOCAL CODES AS APPLICABLE.</p>	
<p>WIRING INFORMATION</p> <p>DIAGNOSTICS - FAILED TO DETECT OR SUSTAIN FLAME. 1 FLASH - PRESSURE SWITCH OR INDUCER PROBLEM DETECTED. 3 FLASH - HIGH LIMIT SWITCH PROTECTION DEVICE OPEN. 4 FLASH - FLAME SENSED AND GAS VALVE NOT ENERGIZED OR FLAME SENSED AND NO W/ SIGNAL. 5 FLASH - FLAME ROLL OUT SWITCH OPEN.</p>		<p>ELECTRICAL WIRING DIAGRAM</p> <p>208 / 230, 3 PHASE, 60 HZ BELT DRIVE</p>	
<p>DWG. NO. 90-23596-26</p>		<p>DR. BY APP. BY DATE DWG. NO. REV MCB 5-23-05 90-23596-26 00</p>	

FIGURE 30
WIRING DIAGRAM



WIRE COLOR CODE

BK	BLACK	GY	GRAY	R	RED
BR	BROWN	O	ORANGE	W	WHITE
BL	BLUE	PK	PINK	Y	YELLOW
G	GREEN	PR	PURPLE		

ELECTRICAL WIRING DIAGRAM

460V X-DRIVE MOTOR
DIRECT DRIVE BLOWER

DR. BY	DATE	DWG. NO.	REV.
MGR	4-11-10	90-23596-37	00

WIRING INFORMATION

LINE VOLTAGE
-FACTORY STANDARD
-FACTORY OPTION
-FIELD INSTALLED

LOW VOLTAGE
-FACTORY STANDARD
-FACTORY OPTION
-FIELD INSTALLED

REPLACEMENT WIRE
-MUST BE THE SAME SIZE AND TYPE OF INSULATION AS ORIGINAL (105 C MIN.)

WARNING
-CABINET MUST BE PERMANENTLY GROUNDED AND CONFORM TO I.E.C., N.E.C., C.E.C. AND LOCAL CODES AS APPLICABLE.

NOTES:

- CONNECTORS SUITABLE FOR USE WITH COPPER CONDUCTORS ONLY.
- COMPRESSOR MOTOR THERMALLY PROTECTED. ALL 3 PHASE MODELS ARE PROTECTED UNDER PRIMARY SINGLE PHASE CONDITIONS.
- CONTACTOR FACTORY WIRED. CONNECT FIELD WIRE TO FACTORY SUPPLIED CONTACTOR IN ELECTRICAL BOX.
- LOW VOLTAGE CIRCUIT IS N.E.C. CLASS 2 WITH A CLASS 2 TRANSFORMER. 24V/50/60 HZ SUPPLIED.
- CONNECT FIELD WIRING IN GROUNDED RAIN TIGHT CONDUIT TO 60 HZ FUSED DISCONNECT.
- ONLY ONE MRLC IS NEEDED ON THE 80/000 INPUT UNIT.
- CONTROL TRANSFORMER PRIMARY LEADS: BLUE-COMMON; BK/RED-460V, 60 HZ.; 380V, 50 HZ.; RED-575V, 60 HZ.; 415V, 50 HZ.
- WIRES FROM PL2 (7 & 8) GO TO THE MIXED AIR SENSOR ON THE OPTIONAL ECONOMIZER.
- Y2 IS USED ONLY FOR THE OPTIONAL ECONOMIZER.

COMPONENT CODE

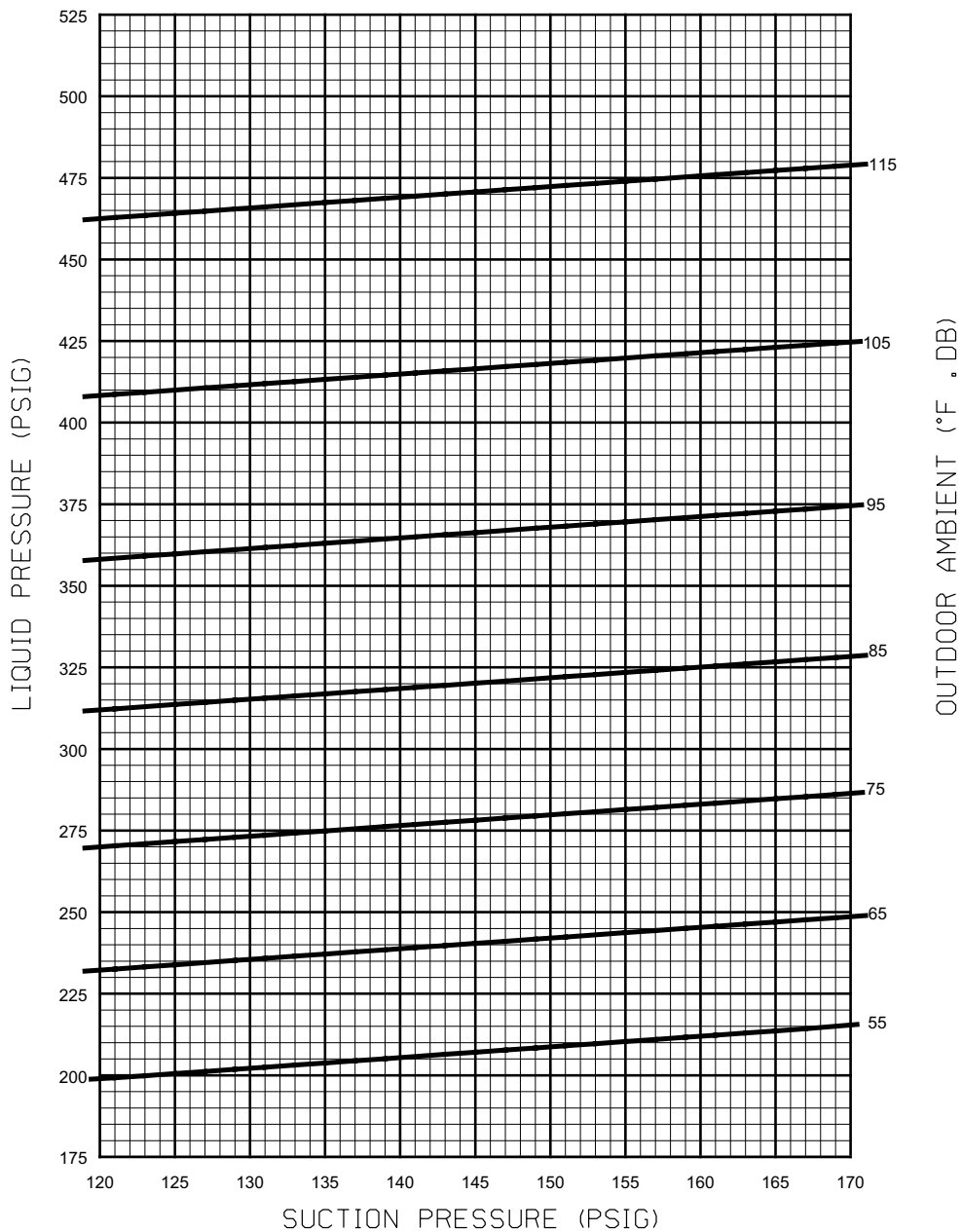
ALC	AUX. LIMIT CONTROL
BC	BLOWER CONTACTOR
CT	CONTROL TRANSFORMER
CDMP	COMPRESSOR MOTOR
OFM	OUTDOOR FAN MOTOR
PL	PLUG
FLMS	FLAME SENSOR
RC	RUN CAPACITOR
SD	SMOKE DETECTOR
FT	GROUND FAULT
GFCO	GROUND FAULT
GL	CONVENIENCE OUTLET
GND	GROUND
GV	WIRE NUT
HPC	HIGH PRESSURE CONTROL
IBM	INDOOR BLOWER MOTOR DIRECT DRIVE
IDM	INDUCED DRAFT MOTOR
IR	INDOOR BLOWER MOTOR
IFC	INDOOR FAN MOTOR
LAC	LOW AMBIENT COOLING CONTROL

FIGURE 31
SYSTEM CHARGE CHARTS

3 TON COOLING - 13 & 14 SEER

SYSTEM CHARGE CHART - REFRIGERANT 410A 3 TON, 13 & 14 SEER

- CAUTION:** 1. RETURN AIR TEMPERATURE MUST BE WITHIN COMFORT CONDITIONS BEFORE FINAL REFRIGERANT CHECK!
- INSTRUCTIONS:** 1. MEASURE PRESSURE AT COMPRESSOR SUCTION AND LIQUID.
 2. MEASURE OUTDOOR AMBIENT TO UNIT.
 3. PLACE (X) ON CHART WHERE SUCTION AND LIQUID INTERSECT.
 4. IF (X) IS BELOW OUTDOOR AMBIENT LINE, ADD CHARGE AND REPEAT STEP 3.
 5. IF (X) IS ABOVE OUTDOOR AMBIENT LINE, RECOVER EXCESS CHARGE AND REPEAT STEP 3.



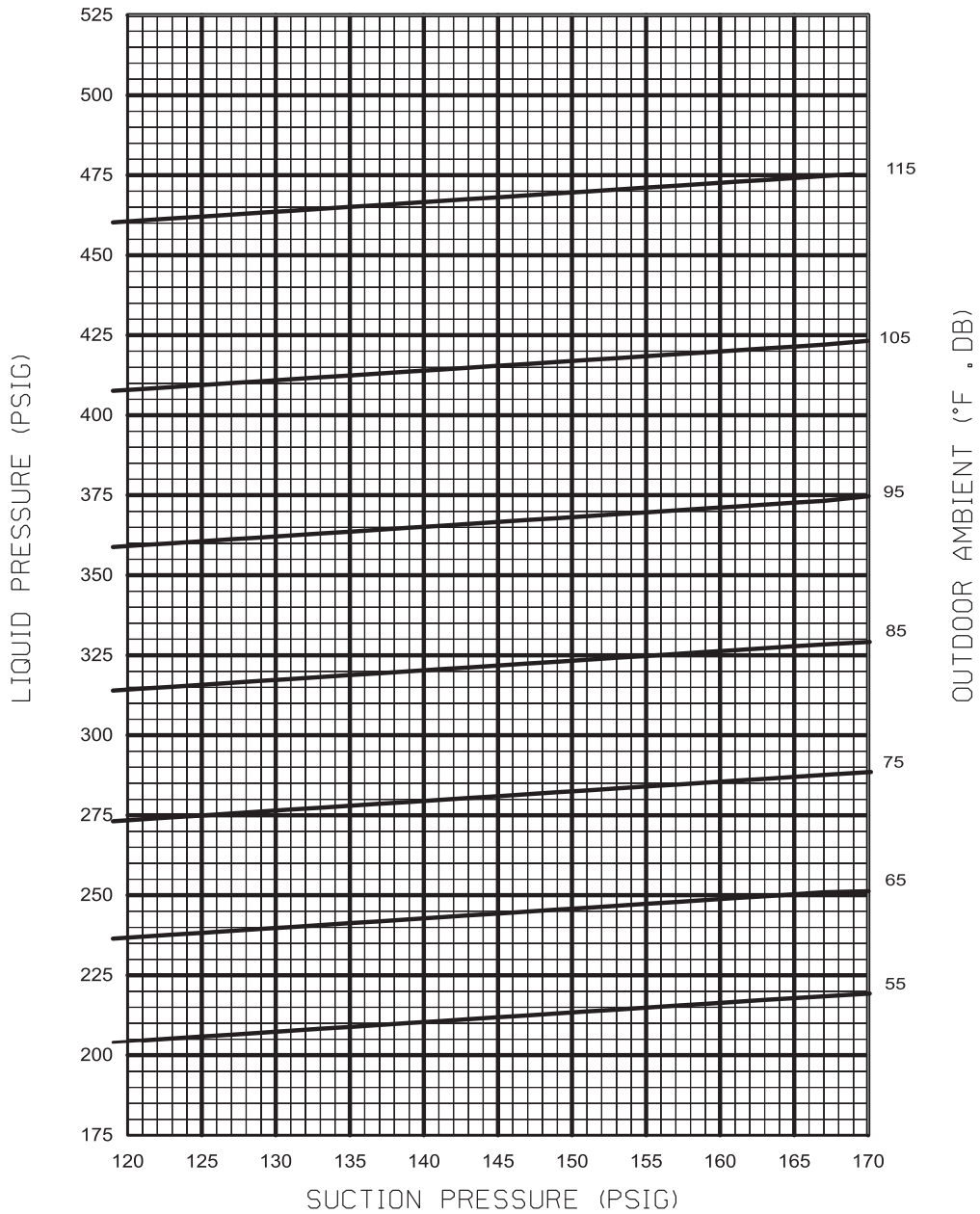
92-102259-01-01

FIGURE 32
SYSTEM CHARGE CHARTS

3.5 TON COOLING - 13 & 14 SEER

SYSTEM CHARGE CHART - REFRIGERANT 410A 3.5 TON, 13 & 14 SEER

- CAUTION:** 1. RETURN AIR TEMPERATURE MUST BE WITHIN COMFORT CONDITIONS BEFORE FINAL REFRIGERANT CHECK!
- INSTRUCTIONS:** 1. MEASURE PRESSURE AT COMPRESSOR SUCTION AND LIQUID.
 2. MEASURE OUTDOOR AMBIENT TO UNIT.
 3. PLACE (X) ON CHART WHERE SUCTION AND LIQUID INTERSECT.
 4. IF (X) IS BELOW OUTDOOR AMBIENT LINE, ADD CHARGE AND REPEAT STEP 3.
 5. IF (X) IS ABOVE OUTDOOR AMBIENT LINE, RECOVER EXCESS CHARGE AND REPEAT STEP 3.



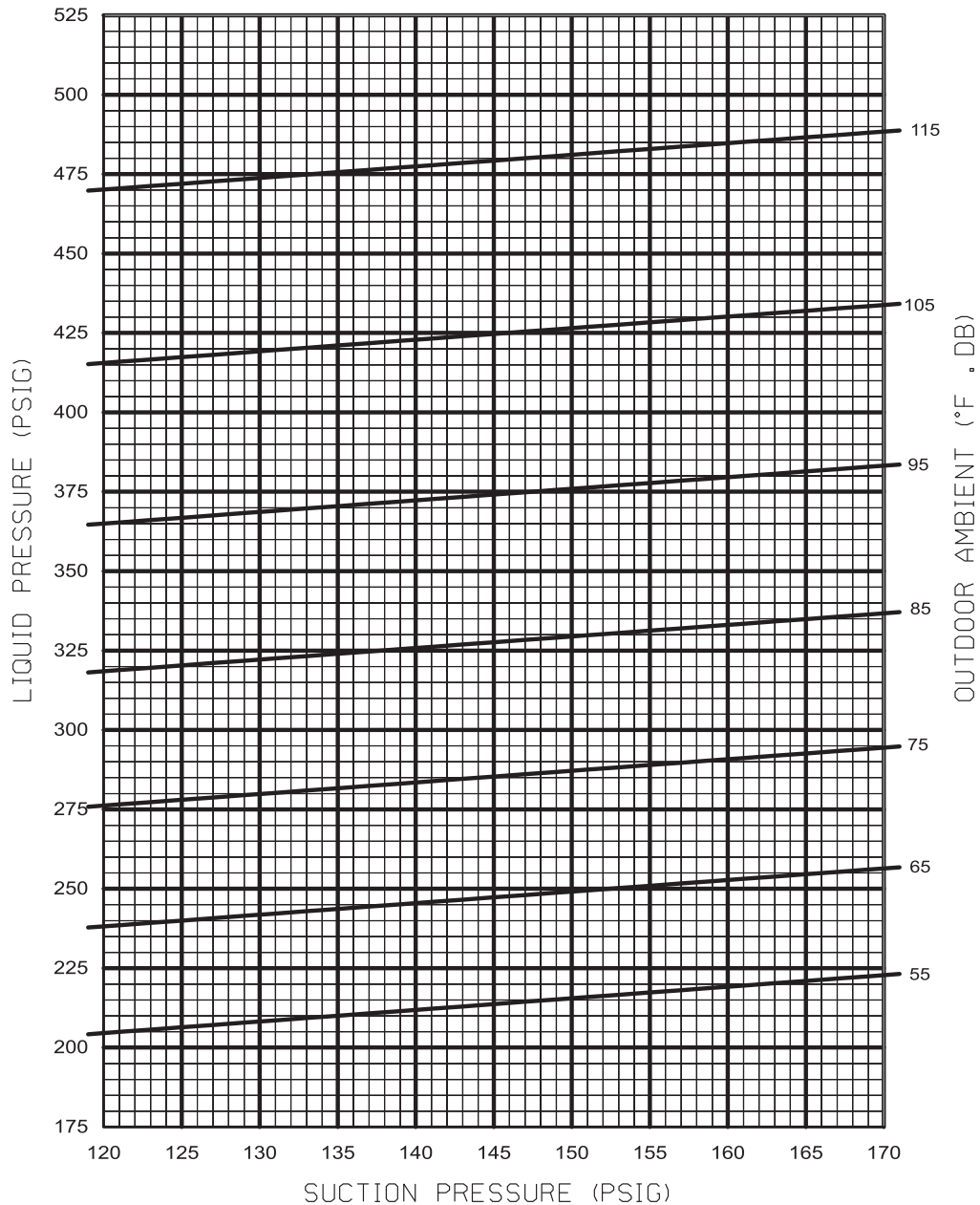
92-102259-02-00

FIGURE 33
SYSTEM CHARGE CHARTS

4 TON COOLING - 13 & 14 SEER

SYSTEM CHARGE CHART - REFRIGERANT 410A
4 TON, 13 & 14 SEER

- CAUTION:** 1. RETURN AIR TEMPERATURE MUST BE WITHIN COMFORT CONDITIONS BEFORE FINAL REFRIGERANT CHECK!
- INSTRUCTIONS:** 1. MEASURE PRESSURE AT COMPRESSOR SUCTION AND LIQUID.
 2. MEASURE OUTDOOR AMBIENT TO UNIT.
 3. PLACE (X) ON CHART WHERE SUCTION AND LIQUID INTERSECT.
 4. IF (X) IS BELOW OUTDOOR AMBIENT LINE, ADD CHARGE AND REPEAT STEP 3.
 5. IF (X) IS ABOVE OUTDOOR AMBIENT LINE, RECOVER EXCESS CHARGE AND REPEAT STEP 3.



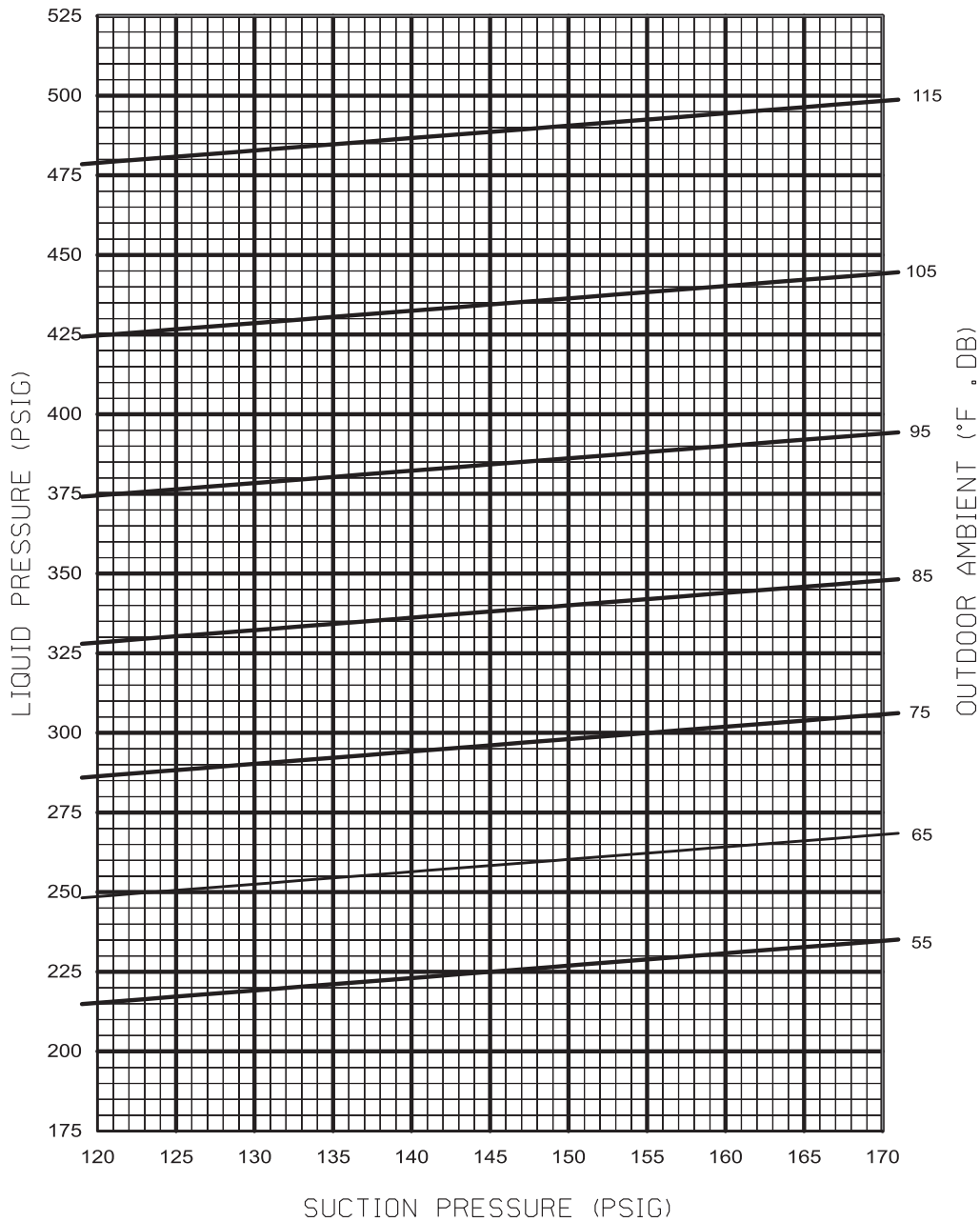
92-102259-03-00

FIGURE 34
SYSTEM CHARGE CHARTS

5 TON COOLING - 13 SEER

SYSTEM CHARGE CHART - REFRIGERANT 410A 5 TON, 13 SEER

- CAUTION:** 1. RETURN AIR TEMPERATURE MUST BE WITHIN COMFORT CONDITIONS BEFORE FINAL REFRIGERANT CHECK!
- INSTRUCTIONS:** 1. MEASURE PRESSURE AT COMPRESSOR SUCTION AND LIQUID.
 2. MEASURE OUTDOOR AMBIENT TO UNIT.
 3. PLACE (X) ON CHART WHERE SUCTION AND LIQUID INTERSECT.
 4. IF (X) IS BELOW OUTDOOR AMBIENT LINE, ADD CHARGE AND REPEAT STEP 3.
 5. IF (X) IS ABOVE OUTDOOR AMBIENT LINE, RECOVER EXCESS CHARGE AND REPEAT STEP 3.



92-102259-04-00

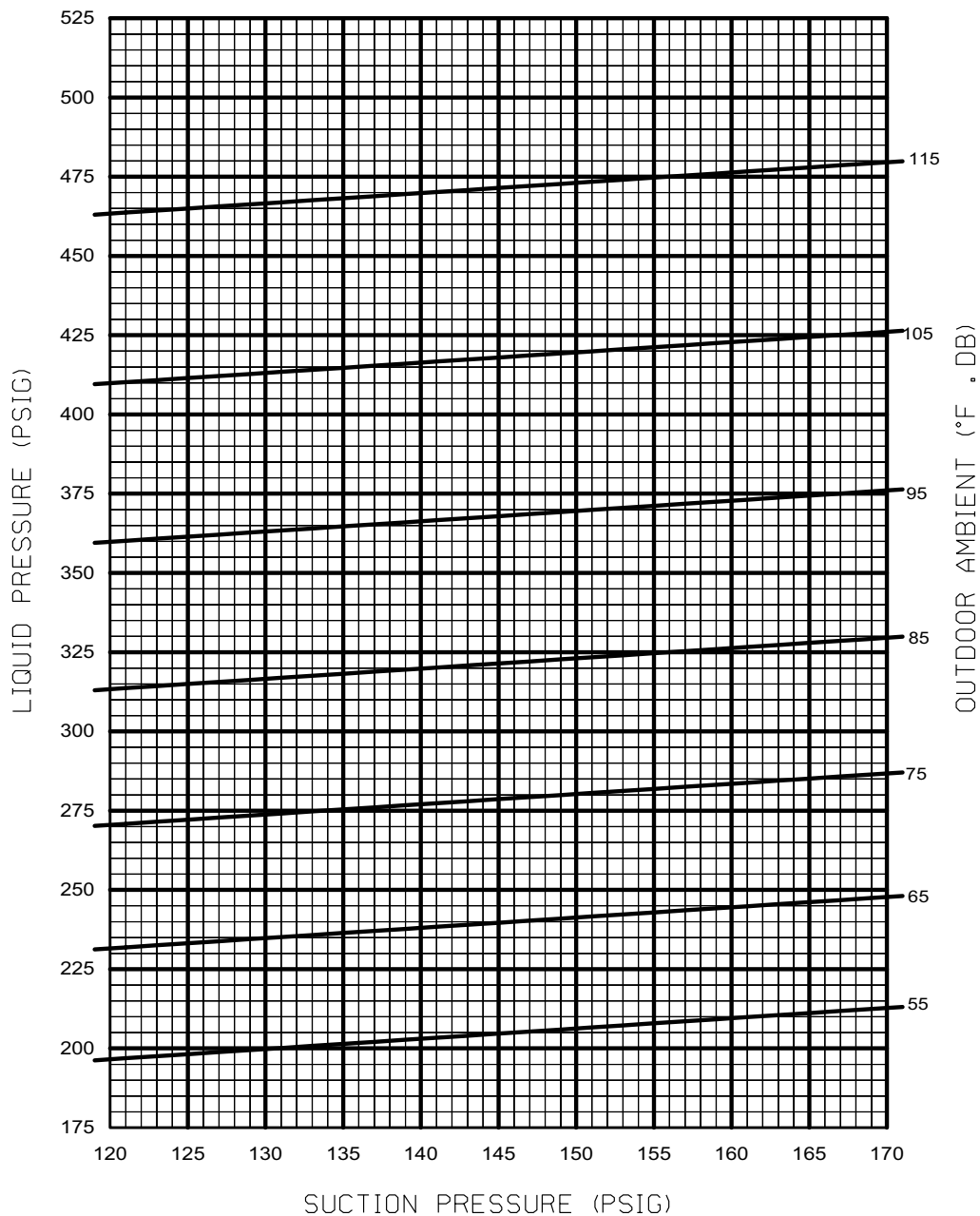
FIGURE 35
SYSTEM CHARGE CHARTS

5 TON COOLING - 14 SEER

SYSTEM CHARGE CHART - REFRIGERANT 410A 5 TON, 14 SEER

CAUTION: 1. RETURN AIR TEMPERATURE MUST BE WITHIN COMFORT CONDITIONS BEFORE FINAL REFRIGERANT CHECK!

- INSTRUCTIONS:**
1. MEASURE PRESSURE AT COMPRESSOR SUCTION AND LIQUID.
 2. MEASURE OUTDOOR AMBIENT TO UNIT.
 3. PLACE (X) ON CHART WHERE SUCTION AND LIQUID INTERSECT.
 4. IF (X) IS BELOW OUTDOOR AMBIENT LINE, ADD CHARGE AND REPEAT STEP 3.
 5. IF (X) IS ABOVE OUTDOOR AMBIENT LINE, RECOVER EXCESS CHARGE AND REPEAT STEP 3.



92-102259-05-00

COOLING TROUBLE SHOOTING CHART

▲ WARNING

DISCONNECT ALL POWER TO UNIT BEFORE SERVICING. CONTACTOR MAY BREAK ONLY ONE SIDE. FAILURE TO SHUT OFF POWER CAN CAUSE ELECTRICAL SHOCK RESULTING IN PERSONAL INJURY OR DEATH.

SYMPTOM	POSSIBLE CAUSE	REMEDY
Unit will not run	<ul style="list-style-type: none"> • Power off or loose electrical connection • Thermostat out of calibration-set too high • Failed contactor • Blown fuses • Transformer defective • High pressure control open (if provided) • Interconnecting low voltage wiring damaged 	<ul style="list-style-type: none"> • Check for correct voltage at compressor contactor in control box • Reset • Check for 24 volts at contactor coil - replace if contacts are open • Replace fuses • Check wiring-replace transformer • Reset-also see high head pressure remedy-The high pressure control opens at 610 PSIG • Replace thermostat wiring
Condenser fan runs, compressor doesn't	<ul style="list-style-type: none"> • Run or start capacitor failed (single phase only) • Start relay defective (single phase only) • Loose connection • Compressor stuck, grounded or open motor winding open internal overload. • Low voltage condition • Low voltage condition 	<ul style="list-style-type: none"> • Replace • Replace • Check for correct voltage at compressor - check & tighten all connections • Wait at least 2 hours for overload to reset. If still open, replace the compressor. • At compressor terminals, voltage must be within 10% of rating plate volts when unit is operating. • Add start kit components
Insufficient cooling	<ul style="list-style-type: none"> • Improperly sized unit • Improper airflow • Incorrect refrigerant charge • Air, non-condensibles or moisture in system • Incorrect voltage 	<ul style="list-style-type: none"> • Recalculate load • Check - should be approximately 400 CFM per ton. • Charge per procedure attached to unit service panel. • Recover refrigerant, evacuate & recharge, add filter drier • At compressor terminals, voltage must be within 10% of rating plate volts when unit is operating.
Compressor short cycles	<ul style="list-style-type: none"> • Incorrect voltage • Defective overload protector • Refrigerant undercharge 	<ul style="list-style-type: none"> • At compressor terminals, voltage must be $\pm 10\%$ of nameplate marking when unit is operating. • Replace - check for correct voltage • Add refrigerant
Registers sweat	<ul style="list-style-type: none"> • Low evaporator airflow 	<ul style="list-style-type: none"> • Increase speed of blower or reduce restriction - replace air filter
High head-low vapor pressures	<ul style="list-style-type: none"> • Restriction in liquid line, expansion device or filter drier • Flow check piston size too small • Incorrect capillary tubes • TXV does not open 	<ul style="list-style-type: none"> • Remove or replace defective component • Change to correct size piston • Change coil assembly • Replace TXV
High head-high or normal vapor pressure - Cooling mode	<ul style="list-style-type: none"> • Dirty condenser coil • Refrigerant overcharge • Condenser fan not running • Air or non-condensibles in system 	<ul style="list-style-type: none"> • Clean coil • Correct system charge • Repair or replace • Recover refrigerant, evacuate & recharge
Low head-high vapor pressures	<ul style="list-style-type: none"> • Defective Compressor valves • Incorrect capillary tubes 	<ul style="list-style-type: none"> • Replace compressor • Replace coil assembly
Low vapor - cool compressor - iced evaporator coil	<ul style="list-style-type: none"> • Low evaporator airflow • Operating below 65°F outdoors • Moisture in system 	<ul style="list-style-type: none"> • Increase speed of blower or reduce restriction - replace air filter • Add Low Ambient Kit • Recover refrigerant - evacuate & recharge - add filter drier
High vapor pressure	<ul style="list-style-type: none"> • Excessive load • Defective compressor 	<ul style="list-style-type: none"> • Recheck load calculation • Replace
Fluctuating head & vapor pressures	<ul style="list-style-type: none"> • TXV hunting • Air or non-condensibles in system 	<ul style="list-style-type: none"> • Check TXV bulb clamp - check air distribution on coil - replace TXV • Recover refrigerant, evacuate & recharge
Gurgle or pulsing noise at expansion device or liquid line	<ul style="list-style-type: none"> • Air or non-condensibles in system 	<ul style="list-style-type: none"> • Recover refrigerant, evacuate & recharge
Circulating air blower & inducer run continuously, compressor will not start	<ul style="list-style-type: none"> • Manual reset overtemperature control tripped • Wire loose in limit circuit 	<ul style="list-style-type: none"> • Reset or replace • Check wiring

FURNACE TROUBLESHOOTING GUIDE

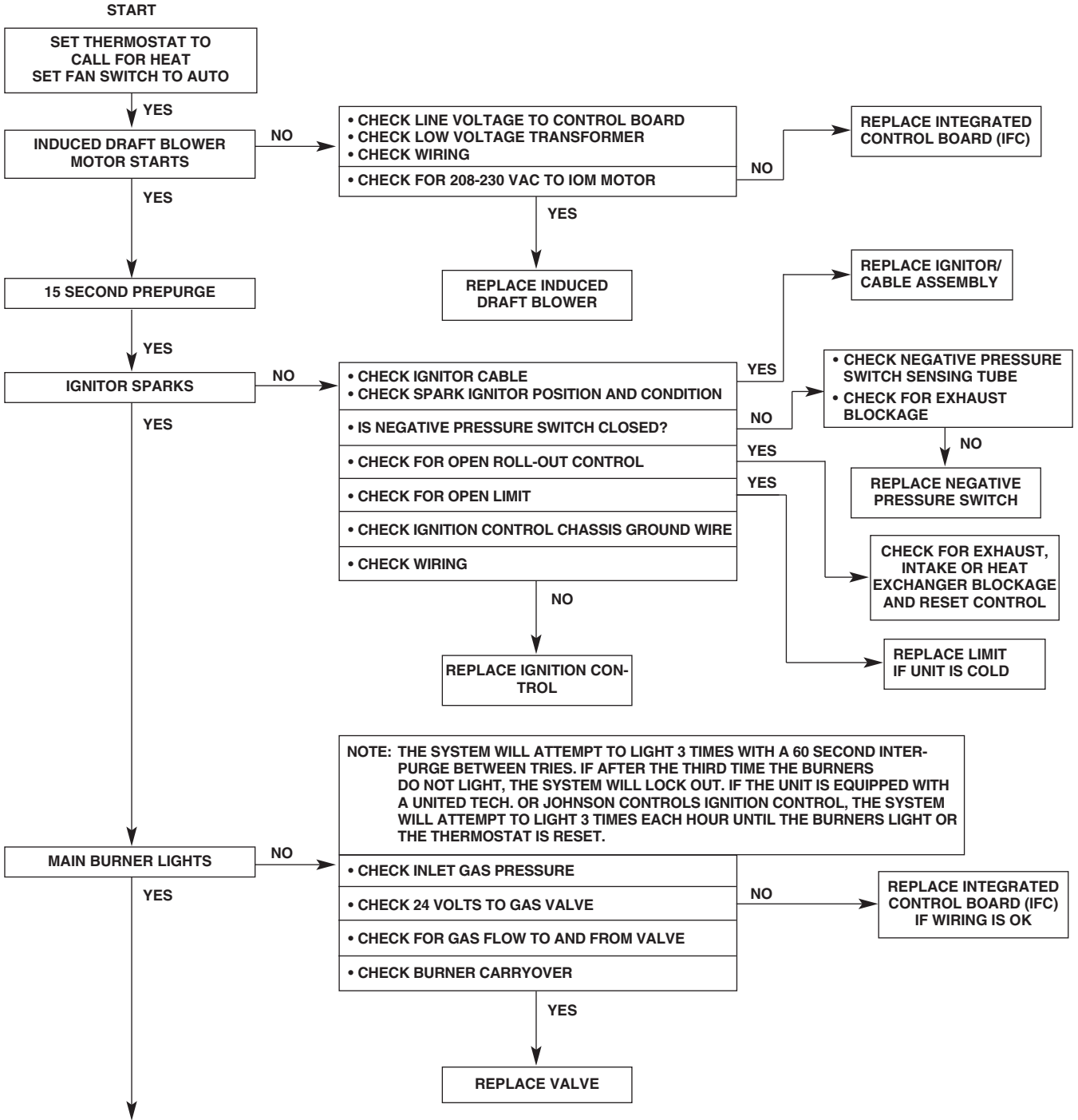
(COMBINATION HEATING AND COOLING UNITS WITH DIRECT SPARK IGNITION)

⚠ WARNING



HAZARDOUS VOLTAGE
LINE VOLTAGE CON-
NECTIONS

DISCONNECT POWER BEFORE
SERVICING.
SERVICE MUST BE BY A TRAINED,
QUALIFIED SERVICE TECHNICIAN.



FLOW CHART CONTINUED ON NEXT PAGE

