



SUBMITTAL COVER SHEET

PROJECT NAME _____

LOCATION _____

ARCHITECT _____

ENGINEER _____

CONTRACTOR _____

SUBMITTED BY _____ DATE _____

UNIT SUMMARY

Quantity						
Unit Designation						
Model No.						
Total Cooling						
Sensible Cooling						
Air Ent. Evaporator						
Air Lvg. Evaporator						
Heating Input						
Heating Output						
CFM/ESP						
EER/SEER						
Electrical						
Minimum Ampacity						
Min.-Max. Breaker						
Net Unit Weight						
Accessory						
Catalog Form Number						

ACCESSORIES:

NOTES:

SUBMITTAL SHEET FOR GAS/ELECTRIC ROOFTOP UNITS: RKKL-B WITH CAPACITIES FROM 15-20 TONS [52.8-70.3 kW]

R-410A

JOB NAME _____
 CONTRACTOR _____
 ENGINEER _____
 LOCATION _____
 ORDER NO. _____
 SUBMITTED FOR APPROVAL RECORD
 SUBMITTED BY _____
 DATE _____
 UNIT DESIGNATION _____
 MODEL NO. _____

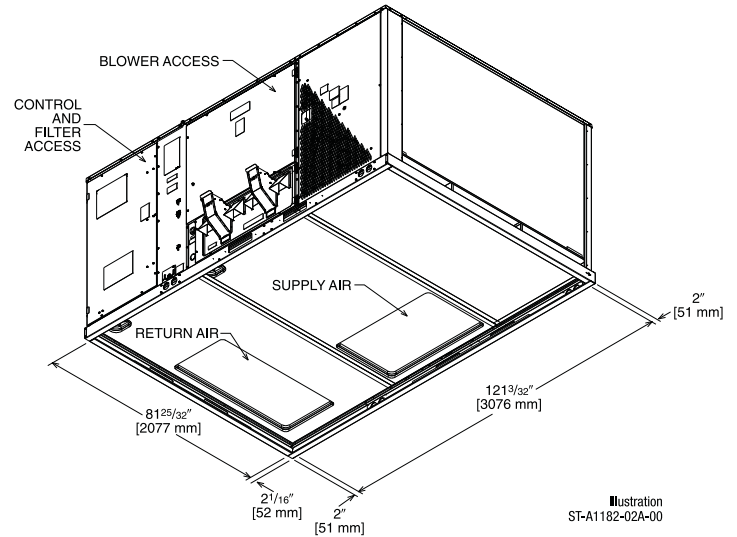


Illustration
ST-A1182-02A-00

UNIT DATA

COOLING PERFORMANCE

TOTAL CAPACITY* MBH
 SENSIBLE CAPACITY* MBH
 EFFICIENCY (at AHRI)..... EER
 PART LOAD EFFICIENCY IEER
 AMBIENT DB TEMP..... °F
 ENTERING DB TEMP °F
 ENTERING WB TEMP °F
 LEAVING DB TEMP °F
 LEAVING WB TEMP °F
 POWER INPUT (w/o blower) kW
 ELEVATION FT
 SOUND POWER DBELS

HEATING PERFORMANCE

GAS HEAT INPUT BTU
 GAS HEAT OUTPUT BTU
 STEADY STATE EFFICIENCY %

SUPPLY AIR BLOWER PERFORMANCE

SUPPLY AIR..... CFM [L/s]
 OUTSIDE AIR..... CFM [L/s]
 EXTERNAL STATIC PRESSURE IWG
 DUCT CONNECTION LOCATION
 BLOWER SPEED RPM
 MOTOR RATING HP [W]
 BRAKE HORSEPOWER BHP
 POWER INPUT REQUIREMENT kW

ELECTRICAL DATA

POWER SUPPLY Hz
 MINIMUM CIRCUIT AMPACITY AMPS
 MAXIMUM OVERCURRENT PROTECTION
 DEVICE FUSE SIZE AMPS
 HACR CIRCUIT BREAKER AMPS

DIMENSIONS & WEIGHT

HEIGHT ____ IN WIDTH ____ IN DEPTH ____ IN
 TOTAL WEIGHT LBS [kg]
 (including factory options)

CLEARANCES

FRONT	80" [2032 mm]	BACK	18" [457 mm]
BOTTOM	0"	TOP	60" [1524 mm]
LEFT SIDE	18" [457 mm]		36" [914 mm]
RIGHT SIDE	(condenser end) 18" [457 mm]		

BOTTOM VIEW

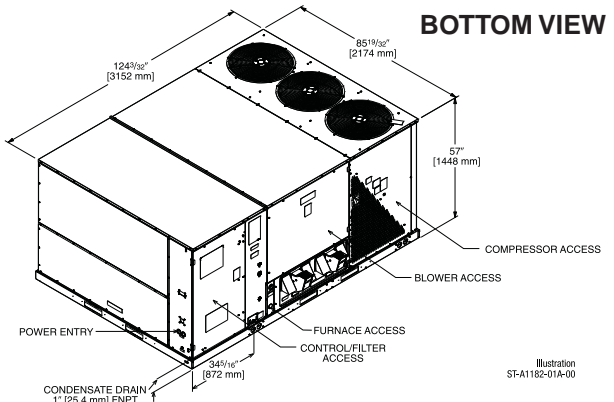


Illustration
ST-A1182-01A-00

ROOFCURB INSTALLATION

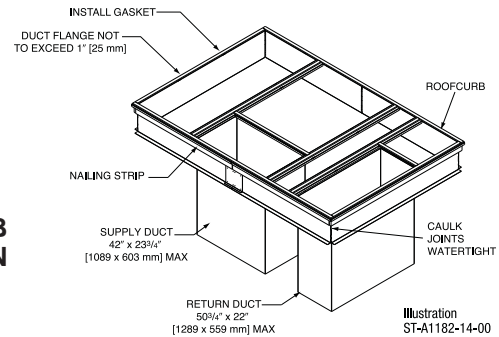


Illustration
ST-A1182-14-00

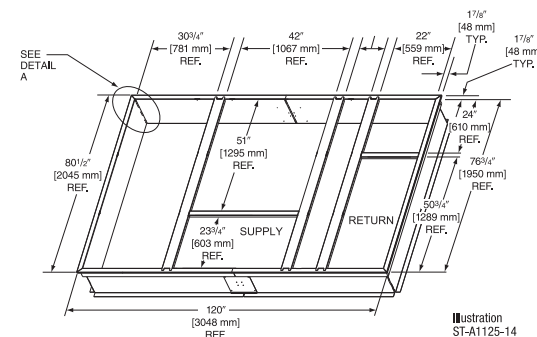


Illustration
ST-A1125-14

[] Designates Metric Conversions

FEATURES FOR GAS/ELECTRIC ROOFTOP UNITS
RKKL-B 15 THRU 20 NOMINAL TONS [52.8 THRU 70.3 kW]

Gas Heat

- Two-Stage Gas Valve (50/100%) for Superior Comfort Control at Minimum Operating Cost
- Quad Inducers allow for 81% Steady State efficiency at High and Low Stage
- Exclusive In-shot Burners
- Solid State, Direct Spark Ignition with Remote Flame Sense and on-board diagnostics

Cooling

- R410A Refrigerant
- Quiet, Efficient, Scroll Compressors
- Two-Stage Cooling for Superior Comfort Control at Minimum Operating Cost
- Belt-drive Blower with optional drive to accommodate design conditions as high as 2.0 inches [.37 kPa] of external static pressure at nominal airflow
- Copper Tube/Aluminum Fin Coils on indoor coil
- Aluminum Microchannel outdoor coil(s)

Service Features

- Hinged Access Panels for Convenience
- Large Control Panel with numbered and color coded wiring for Easy Troubleshooting
- Front Access, Slide-Out Blower Assembly for Easy Maintenance
- Convertible Airflow for Maximum Flexibility
- Solid-state Furnace Controls with Diagnostic LED for Easy Troubleshooting

- Slide out Condensate Drain pan to simplify Cleaning
- Factory-Installed two-inch [50.8 mm], throw away filters. Accessible without tools
- Plug-in Electrical Connections on outdoor fan assemblies
- Unit is prewired to accept Slip-In Economizer
- Externally-mounted refrigerant gauge ports
- Side or Base utility access minimizing roof penetrations
- Full perimeter, forkable, riggable baserails with protective forkboards for easy handling
- Complete Factory Tested, Charged, Wired

Reliability Features

- One-inch [25.4 mm] raised flanges on supply/return opening for superior water management
- Aluminized Steel Heat Exchanger helps eliminate corrosion
- Base pan Insulation mounted on bottom helps eliminate corrosion and improves indoor air quality
- Non-Corrosive, sloped drain pan helps improve indoor air quality
- Insulation secured by adhesive and mechanical means
- Electrodeposition power-coat paint process guards against extreme weather conditions and withstands 1000-hour salt-spray test
- High and Low Refrigerant Pressure Switches
- Solid core refrigerant liquid line filters

[] Designates Metric Conversions

ACCESSORIES

Factory Installed

- Oversized Blower motor
- Outdoor Coil Guard (Hail Guard)
- Stainless Steel Gas Heat Exchanger
- Disconnect w/Non-Powered Convenience Outlet.....
- Low Ambient & Freezestat Control
- Single Enthalpy Economizer w/Barometric Relief.....
- Single Enthalpy Economizer w/Barometric Relief and Smoke Detector

Field Installed

- Outdoor Coil Guard (Hail Guard)
- Non-Fused Disconnect Switch.....
- Non-Powered Convenience Outlet.....
- Low Ambient Control
- Freezestat Control
- Natural Gas High Altitude Kit
- Propane Conversion Kit
- 14" Full Perimeter Roofcurb
- Roofcurb Adapter.....
- Concentric Diffuser.....
- Manual Outside Air Intake Damper.....
- Motorized Outside Air Intake Damper.....
- Single Enthalpy Economizer w/Barometric Relief.....
- Single Enthalpy Economizer w/Barometric Relief and Smoke Detector
- Horizontal Single Enthalpy Economizer w/Barometric Relief....
- Dual Enthalpy Adapter
- Power Exhaust
- CO₂ Sensor (wall mount with LCD)

Before proceeding with installation, refer to installation instructions packaged with each model, as well as complying with all Federal, State, Provincial, and Local codes, regulations, and practices.

Rheem Sales Company, Inc.
P.O. Box 17010, Fort Smith, AR 72917