



The new degree of comfort.™

Rheem *Commercial Classic*® Series Package Heat Pump



RJPL-C 14 SEER High Efficiency Series
With ClearControl™
Nominal Sizes 3-5 Tons [10.6-17.6 kW]

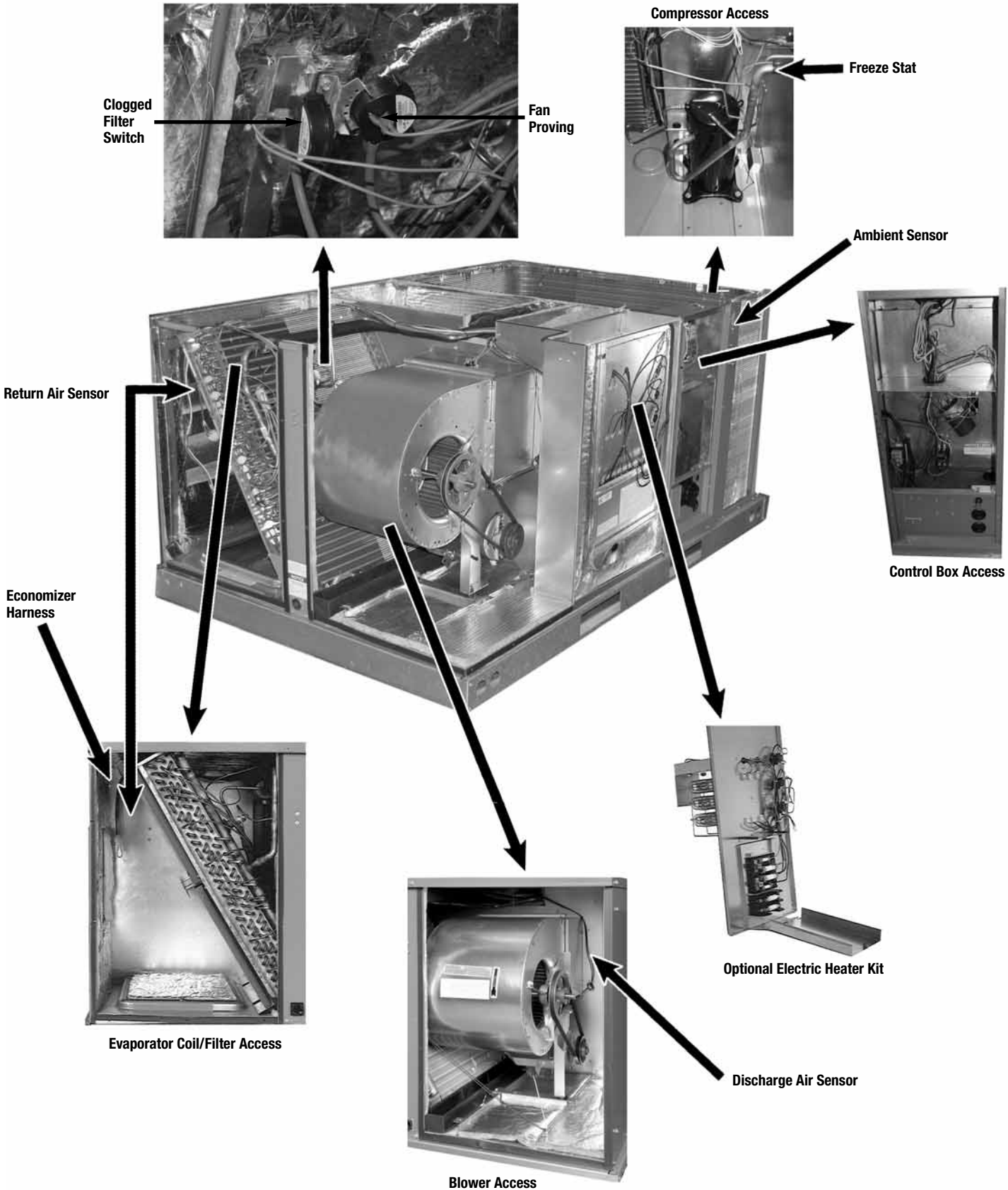


TABLE OF CONTENTS

| | |
|-----------------------------------|-------|
| Unit Features & Benefits | 3-5 |
| Model Number Identification | 6 |
| Options | 7 |
| Selection Procedure | 8 |
| General Data | |
| RJPL-C Series | 9-12 |
| General Data Notes | 13 |
| Gross Systems Performance Data | |
| RJPL-C Series | 14-16 |
| Airflow Performance | |
| RJPL-C Series | 17-18 |
| Electrical Data | |
| RJPL-C Series | 19-20 |
| Electric Heater Kits | |
| RJPL-C Series | 21-24 |
| Dimensional Data | 25-27 |
| Accessories | 28-37 |
| Mechanical Specifications | 38-43 |
| Limited Warranty | 44 |



Rheem Package Heat Pump Features:




RJPL - C036, C042, C048, C060

RJPL-C SERIES STANDARD FEATURES INCLUDE:

- R-410A HFC refrigerant.
- Complete factory charged, wired and run tested.
- Scroll compressors with internal line break overload and high-pressure protection.
- Single stage compressor on all models.
- Convertible airflow.
- TXV refrigerant metering system.
- High Pressure protection standard on all models. Low Pressure/Loss of charge protection standard on all models.
- Solid Core liquid line filter drier.
- Single slab, single pass designed evaporator coil facilitate easy cleaning for maintained high efficiencies.
- Cooling operation up to 125 degree F ambient.
- Hinged door available as a factory installed option.
- Easy access to filter, blower, electric heat, and compressor/control compartments permit prompt service.
- One piece top cover and one piece base pan with drawn supply and return opening for superior water management.
- Externally mounted refrigerant gauge ports for easy service diagnostics.
- Easy to install plug-in; slip in, 100% fully modulating economizer with barometric relief.
- Forkable base rails for easy handling and lifting.
- Single point electrical connection.
- High performance belt drive motor with variable pitch pulleys and quick adjust belt system.
- Permanently lubricated evaporator and condenser motors.
- Condenser motors are internally protected, totally enclosed with shaft down design.
- 1 inch filter standard with slide out design.
- Colored and labeled wiring.
- Copper tube/Aluminum Fin coils.
- Molded compressor plug.
- Supplemental electric heat provides 100% efficient heating.
- Factory installed ClearControl™, a Direct Digital Control (DDC) and sensors which can connect to LonWorks™ or BACnet BAS systems for remote monitoring and control.



As part of the ClearControl™ system which allows real time monitoring and communication, the Package Heat Pump has a Rooftop Unit Controller (RTU-C) referred to as the ClearControl™, factory mounted and wired in the control panel. The RTU-C is a solid-state microprocessor-based control board that provides flexible control and extensive diagnostics for all unit functions. The RTU-C through proportional/Integral control algorithms perform specific unit functions that govern unit operation in response to: zone conditions, system temperatures, system pressures, ambient conditions and electrical inputs. The RTU-C features a 16 x 2 character LCD display and a five-button keypad for local configuration and direct diagnosis of the system. New features include a clogged filter switch (CFS), fan proving switch (FPS), return air temperature sensor (RAT), discharge air temperature sensor (DAT) and outdoor air temperature sensor (OAT). Freeze sensors (FS) are used in place of freezestats to allow measurement of refrigerant suction line temperatures. The Package Heat Pump with the RTU-C is specifically designed to be applied in four distinct applications:

The unit is compatible with a third party building management system that supports the BACnet Application Specific Controller device profile, with the use of a field installed BACnet Communication Module. The BACnet Communication Module plugs onto the unit RTU-C controller and allows communication between the RTU-C and the BACnet MSTP network. A zone sensor, a BACnet network zone sensor, a BACnet thermostat or DDC controller may be used to send the zone temperature or thermostat demands to the RTU-C. The BACnet Communication Module is compatible with MSTP EIA-485 daisy chain networks communicating at 38.4 bps. It is compatible with twisted pair, shielded cables.

The unit is compatible with a third party building management system that supports the LonMark Space Comfort Controller (SCC) functional profile or LonMark Discharge Air Controller (DAC) functional profile. This is accomplished with a field installed LonMark communication module. The LonMark Communication Module plugs onto the RTU-C controller and allows

communication between the RTU-C and a LonWorks Network. A zone sensor, a LonTalk network zone sensor, or a LonTalk thermostat or DDC controller may be used to send the zone temperature or thermostat demands to the RTU-C. The LonMark Communication Module utilizes an FTT-10A free topology transceiver communicating at 78.8 kbps. It is compatible with Echelon qualified twisted pair cable, Belden 8471 or NEMA Level 4 cables. The Module can communicate up to 1640 ft. with no repeater. The LonWorks limit of 64 nodes per segment applies to this device.

The unit is compatible with a programmable 24 volt thermostat. Connections are made via conventional thermostat screw terminals. Extensive unit status and diagnostics are displayed on the LCD screen of the RTU-C.

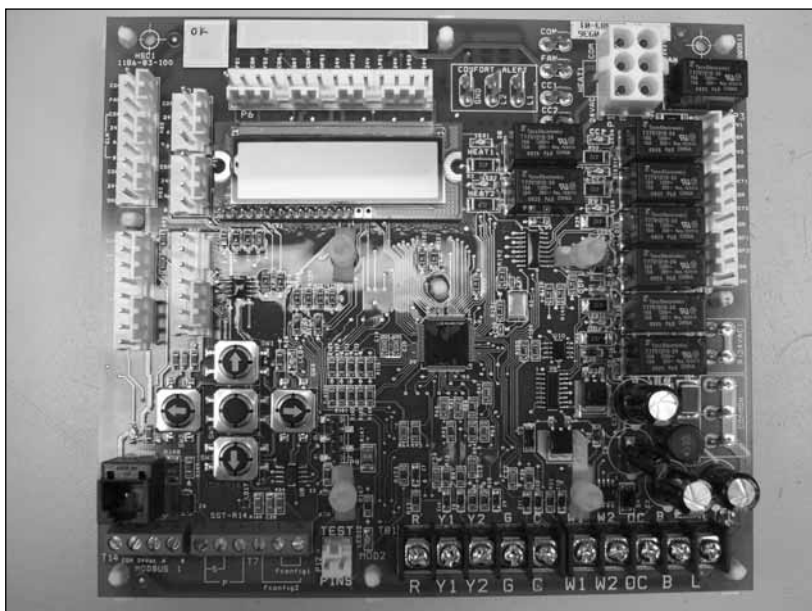
The unit is compatible with a zone sensor and mechanical or solid state time clock connected to the RTU-C. Extensive unit status and diagnostics are displayed on the LCD screen of the RTU-C.

A factory or field installed Comfort Alert® module is available for power phase-monitoring protection and additional compressor diagnostics. The alarms can be displayed on the RTU-C display through the (BAS) network or connected to the “L-Terminal” of a thermostat for notification.

The damper minimum position, actual damper position, power exhaust on/off setpoint, mixed air temperature limit setpoint and Demand Controlled Ventilation (DCV) setpoint can be read and adjusted at the unit controller display or remotely through a network connection.

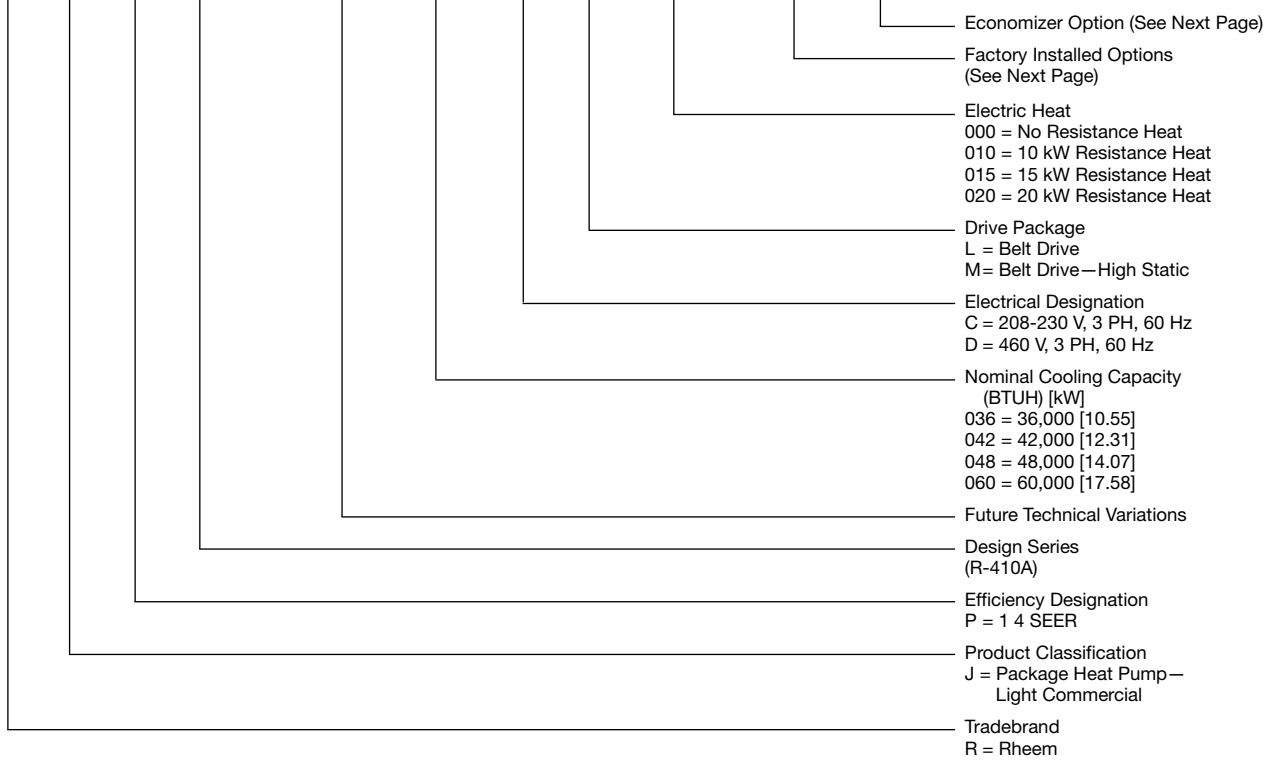
The Space CO₂ level, mixed air temperature, and Economizer Status (Free Cooling Available, Single or Dual Enthalpy) can be read at the unit controller display or remotely through a network connection. Economizer Faults will trigger a network Alarm and can be read at the unit controller display or remotely through a network connection.

RTU-C/ClearControl™





R J P L - C 036 C L 000 X X X



[] Designates Metric Conversions



FACTORY INSTALLED OPTION CODES FOR RJPL-C (3-5 Ton) [10.6-17.6 kW]

| Option Code | Hail Guard | Non-Powered Convenience Outlet | Low Ambient/ Comfort Alert | Hinged Doors* |
|-------------|------------|--------------------------------|----------------------------|---------------|
| AD | X | | | |
| AG | | X | | |
| AR | | | X | |
| AV | | | | X |
| JD | X | | X | |
| BJ | X | X | | |
| CZ | X | X | X | |
| JE | | X | X | |
| JK | X | | | X |
| JL | | X | | X |
| JQ | | | X | X |
| KH | X | | X | X |
| KD | X | X | | X |
| DT | X | X | X | X |
| KL | | X | X | X |

Example: RJPL-C060CL000XXX (where XX is factory installed option)

Example: No Options

RJPL-C060CL000

Example: No Options with Factory Installed Economizer

RJPL-C060CL000AAH

Example: Options with Hailguard with no Factory Installed Economizer

RJPL-C060CL000ADA

Example: Options same as above with Factory Installed Economizer

RJPL-C060CL000ADH

*Hinged Door Option available on 3-5 ton only.

ECONOMIZER SELECTION FOR RJPL-C (3-5 Ton) [10.6-17.6 kW]

| Option Code | No Economizer | Single Enthalpy Economizer With Barometric Relief | Single Enthalpy Economizer With Barometric Relief And Smoke Detector |
|-------------|---------------|---------------------------------------------------|----------------------------------------------------------------------|
| A | X | | |
| H | | X | |
| J | | | X |

"x" indicates factory installed option.

[] Designates Metric Conversions



SELECTION PROCEDURE

1. Determine cooling and heating requirements at design conditions.

Example:

Total cooling capacity43,600 BTUH [12.78 kW]
 Sensible cooling capacity34,000 BTUH [9.96 kW]
 Condenser entering air.....95°F [35°C]
 Evaporator entering air.....63°F [17°C] wb/76°F [24°C] db
 Indoor air flow.....1600 CFM [755 L/s]
 External static pressure1.1 in wg
 Required efficiency.....14 SEER

2. Select unit to meet cooling requirements.

Since total cooling is within the range of 4 ton [14.07 kW] unit and requires 13 SEER efficiency level, enter cooling performance table, at 95°F [35°C] outdoor temperature, 63°F [17°C] wb entering indoor air, and 1600 CFM [755 L/s]:

Total capacity46,700 BTUH [13.68 kW]
 Power input3.3 kW

And also, at 76°F [24°C] db indoor entering air, and using the formula at the bottom of the page:

Sensible capacity33,710 BTUH [9.87 kW]

3. Determine blower speed and power to meet the system requirements.

At the given external static pressure of 1.1 in wg, the belt model must be selected. Enter the belt drive blower performance table at 1600 CFM [755 L/s] and 1.1 in wg ESP:

RPM1205
 Watts725
 Drive.....M

4. Calculate indoor blower BTUH heat effect.

BTUH = Watts x 3.413 = 2474

5. Calculate net cooling capacities.

Net total cooling = 46,700 – 2474 = 44,226 BTUH [12.96 kW]
 Net sensible cooling = 33,716 – 2474 = 31.242 BTUH [9.16 kW]

[] Designates Metric Conversions



NOMINAL SIZES 3-5 TONS [10.6-17.6 kW]

| Model RJPL- Series | C036CL | C036CM | C036DL | C036DM |
|----------------------------------------------|-------------------------|-------------------------|-------------------------|-------------------------|
| Cooling Performance¹ | | | | CONTINUED → |
| Gross Cooling Capacity Btu [kW] | 38,500 [11.28] | 38,500 [11.28] | 38,500 [11.28] | 38,500 [11.28] |
| EER/SEER ² | 12/14 | 12/14 | 12/14 | 12/14 |
| Nominal CFM/AHRI Rated CFM [L/s] | 1200/1200 [566/566] | 1200/1200 [566/566] | 1200/1200 [566/566] | 1200/1200 [566/566] |
| AHRI Net Cooling Capacity Btu [kW] | 36,800 [10.78] | 36,800 [10.78] | 36,800 [10.78] | 36,800 [10.78] |
| Net Sensible Capacity Btu [kW] | 27,200 [7.97] | 27,200 [7.97] | 27,200 [7.97] | 27,200 [7.97] |
| Net Latent Capacity Btu [kW] | 9,600 [2.81] | 9,600 [2.81] | 9,600 [2.81] | 9,600 [2.81] |
| Net System Power kW | 2.99 | 2.99 | 2.99 | 2.99 |
| Heating Performance (Heat Pumps) | | | | |
| Heating Temp. Btuh [kW] Rating | 33,600 [9.84] | 33,600 [9.84] | 33,600 [9.84] | 33,600 [9.84] |
| System Power KW/COP | 2.79/3.48 | 2.79/3.48 | 2.79/3.48 | 2.79/3.48 |
| Low Temp. Btuh [kW] Rating | 19,400 [5.68] | 19,400 [5.68] | 19,400 [5.68] | 19,400 [5.68] |
| System Power KW/COP | 2.56/2.22 | 2.56/2.22 | 2.56/2.22 | 2.56/2.22 |
| HSPF (Btu/Watts-hr) | 8 | 8 | 8 | 8 |
| Compressor | | | | |
| No./Type | 1/Scroll | 1/Scroll | 1/Scroll | 1/Scroll |
| Outdoor Sound Rating (dB)³ | 83 | 83 | 83 | 83 |
| Outdoor Coil—Fin Type | Louvered | Louvered | Louvered | Louvered |
| Tube Type | Rifled | Rifled | Rifled | Rifled |
| Tube Size in. [mm] OD | 0.375 [9.5] | 0.375 [9.5] | 0.375 [9.5] | 0.375 [9.5] |
| Face Area sq. ft. [sq. m] | 16.89 [1.57] | 16.89 [1.57] | 16.89 [1.57] | 16.89 [1.57] |
| Rows / FPI [FPcm] | 1 / 22 [9] | 1 / 22 [9] | 1 / 22 [9] | 1 / 22 [9] |
| Refrigerant Control | TX Valves | TX Valves | TX Valves | TX Valves |
| Indoor Coil—Fin Type | Louvered | Louvered | Louvered | Louvered |
| Tube Type | Rifled | Rifled | Rifled | Rifled |
| Tube Size in. [mm] | 0.375 [9.5] | 0.375 [9.5] | 0.375 [9.5] | 0.375 [9.5] |
| Face Area sq. ft. [sq. m] | 5.16 [0.48] | 5.16 [0.48] | 5.16 [0.48] | 5.16 [0.48] |
| Rows / FPI [FPcm] | 3 / 13 [5] | 3 / 13 [5] | 3 / 13 [5] | 3 / 13 [5] |
| Refrigerant Control | TX Valves | TX Valves | TX Valves | TX Valves |
| Drain Connection No./Size in. [mm] | 1/1 [25.4] | 1/1 [25.4] | 1/1 [25.4] | 1/1 [25.4] |
| Outdoor Fan—Type | Propeller | Propeller | Propeller | Propeller |
| No. Used/Diameter in. [mm] | 1/24 [609.6] | 1/24 [609.6] | 1/24 [609.6] | 1/24 [609.6] |
| Drive Type/No. Speeds | Direct/1 | Direct/1 | Direct/1 | Direct/1 |
| CFM [L/s] | 4000 [1888] | 4000 [1888] | 4000 [1888] | 4000 [1888] |
| No. Motors/HP | 1 at 1/3 HP | 1 at 1/3 HP | 1 at 1/3 HP | 1 at 1/3 HP |
| Motor RPM | 1075 | 1075 | 1075 | 1075 |
| Indoor Fan—Type | FC Centrifugal | FC Centrifugal | FC Centrifugal | FC Centrifugal |
| No. Used/Diameter in. [mm] | 1/10x10 [254x254] | 1/10x10 [254x254] | 1/10x10 [254x254] | 1/10x10 [254x254] |
| Drive Type/No. Speeds | Belt/Variable | Belt/Variable | Belt/Variable | Belt/Variable |
| No. Motors | 1 | 1 | 1 | 1 |
| Motor HP | 1/2 | 3/4 | 1/2 | 3/4 |
| Motor RPM | 1725 | 1725 | 1725 | 1725 |
| Motor Frame Size | 56 | 56 | 56 | 56 |
| Filter—Type | Disposable | Disposable | Disposable | Disposable |
| Furnished | Yes | Yes | Yes | Yes |
| (No.) Size Recommended in. [mm] | (2)1x25x16 [25x635x406] | (2)1x25x16 [25x635x406] | (2)1x25x16 [25x635x406] | (2)1x25x16 [25x635x406] |
| Refrigerant Charge Oz. [g] | 116 [3289] | 116 [3289] | 116 [3289] | 116 [3289] |
| Weights | | | | |
| Net Weight lbs. [kg] | 517 [235] | 517 [235] | 517 [235] | 517 [235] |
| Ship Weight lbs. [kg] | 532 [241] | 532 [241] | 532 [241] | 532 [241] |

See Page 13 for Notes.

[] Designates Metric Conversions

NOMINAL SIZES 3-5 TONS [10.6-17.6 kW]

| Model RJPL- Series | C042CL | C042CM | C042DL | C042DM |
|----------------------------------------------|-------------------------|-------------------------|-------------------------|-------------------------|
| Cooling Performance¹ | | | | CONTINUED → |
| Gross Cooling Capacity Btu [kW] | 44,000 [12.89] | 44,000 [12.89] | 44,000 [12.89] | 44,000 [12.89] |
| EER/SEER ² | 11.6/14 | 11.6/14 | 11.6/14 | 11.6/14 |
| Nominal CFM/AHRI Rated CFM [L/s] | 1400/1400 [661/661] | 1400/1400 [661/661] | 1400/1400 [661/661] | 1400/1400 [661/661] |
| AHRI Net Cooling Capacity Btu [kW] | 42,000 [12.31] | 42,000 [12.31] | 42,000 [12.31] | 42,000 [12.31] |
| Net Sensible Capacity Btu [kW] | 31,750 [9.3] | 31,750 [9.3] | 31,750 [9.3] | 31,750 [9.3] |
| Net Latent Capacity Btu [kW] | 10,250 [3] | 10,250 [3] | 10,250 [3] | 10,250 [3] |
| Net System Power kW | 3.64 | 3.64 | 3.64 | 3.64 |
| Heating Performance (Heat Pumps) | | | | |
| Heating Temp. Btuh [kW] Rating | 40,000 [11.72] | 40,000 [11.72] | 40,000 [11.72] | 40,000 [11.72] |
| System Power KW/COP | 3.23/3.6 | 3.23/3.6 | 3.23/3.6 | 3.23/3.6 |
| Low Temp. Btuh [kW] Rating | 24,200 [7.09] | 24,200 [7.09] | 24,200 [7.09] | 24,200 [7.09] |
| System Power KW/COP | 2.94/2.4 | 2.94/2.4 | 2.94/2.4 | 2.94/2.4 |
| HSPF (Btu/Watts-hr) | 8 | 8 | 8 | 8 |
| Compressor | | | | |
| No./Type | 1/Scroll | 1/Scroll | 1/Scroll | 1/Scroll |
| Outdoor Sound Rating (dB)³ | 83 | 83 | 83 | 83 |
| Outdoor Coil—Fin Type | Louvered | Louvered | Louvered | Louvered |
| Tube Type | Rifled | Rifled | Rifled | Rifled |
| Tube Size in. [mm] OD | 0.375 [9.5] | 0.375 [9.5] | 0.375 [9.5] | 0.375 [9.5] |
| Face Area sq. ft. [sq. m] | 16.89 [1.57] | 16.89 [1.57] | 16.89 [1.57] | 16.89 [1.57] |
| Rows / FPI [FPcm] | 1 / 22 [9] | 1 / 22 [9] | 1 / 22 [9] | 1 / 22 [9] |
| Refrigerant Control | TX Valves | TX Valves | TX Valves | TX Valves |
| Indoor Coil—Fin Type | Louvered | Louvered | Louvered | Louvered |
| Tube Type | Rifled | Rifled | Rifled | Rifled |
| Tube Size in. [mm] | 0.375 [9.5] | 0.375 [9.5] | 0.375 [9.5] | 0.375 [9.5] |
| Face Area sq. ft. [sq. m] | 5.16 [0.48] | 5.16 [0.48] | 5.16 [0.48] | 5.16 [0.48] |
| Rows / FPI [FPcm] | 3 / 13 [5] | 3 / 13 [5] | 3 / 13 [5] | 3 / 13 [5] |
| Refrigerant Control | TX Valves | TX Valves | TX Valves | TX Valves |
| Drain Connection No./Size in. [mm] | 1/1 [25.4] | 1/1 [25.4] | 1/1 [25.4] | 1/1 [25.4] |
| Outdoor Fan—Type | Propeller | Propeller | Propeller | Propeller |
| No. Used/Diameter in. [mm] | 1/24 [609.6] | 1/24 [609.6] | 1/24 [609.6] | 1/24 [609.6] |
| Drive Type/No. Speeds | Direct/1 | Direct/1 | Direct/1 | Direct/1 |
| CFM [L/s] | 4000 [1888] | 4000 [1888] | 4000 [1888] | 4000 [1888] |
| No. Motors/HP | 1 at 1/3 HP | 1 at 1/3 HP | 1 at 1/3 HP | 1 at 1/3 HP |
| Motor RPM | 1075 | 1075 | 1075 | 1075 |
| Indoor Fan—Type | FC Centrifugal | FC Centrifugal | FC Centrifugal | FC Centrifugal |
| No. Used/Diameter in. [mm] | 1/10x10 [254x254] | 1/10x10 [254x254] | 1/10x10 [254x254] | 1/10x10 [254x254] |
| Drive Type/No. Speeds | Belt/Variable | Belt/Variable | Belt/Variable | Belt/Variable |
| No. Motors | 1 | 1 | 1 | 1 |
| Motor HP | 1/2 | 3/4 | 1/2 | 3/4 |
| Motor RPM | 1725 | 1725 | 1725 | 1725 |
| Motor Frame Size | 56 | 56 | 56 | 56 |
| Filter—Type | Disposable | Disposable | Disposable | Disposable |
| Furnished | Yes | Yes | Yes | Yes |
| (No.) Size Recommended in. [mm] | (2)1x25x16 [25x635x406] | (2)1x25x16 [25x635x406] | (2)1x25x16 [25x635x406] | (2)1x25x16 [25x635x406] |
| Refrigerant Charge Oz. [g] | 120 [3402] | 120 [3402] | 120 [3402] | 120 [3402] |
| Weights | | | | |
| Net Weight lbs. [kg] | 521 [236] | 521 [236] | 521 [236] | 521 [236] |
| Ship Weight lbs. [kg] | 536 [243] | 536 [243] | 536 [243] | 536 [243] |

See Page 13 for Notes.

[] Designates Metric Conversions

NOMINAL SIZES 3-5 TONS [10.6-17.6 kW]

| Model RJPL- Series | C048CL | C048CM | C048DL | C048DM |
|----------------------------------------------|-------------------------|-------------------------|-------------------------|-------------------------|
| Cooling Performance¹ | | | | CONTINUED → |
| Gross Cooling Capacity Btu [kW] | 50,000 [14.65] | 50,000 [14.65] | 50,000 [14.65] | 50,000 [14.65] |
| EER/SEER ² | 11.6/14 | 11.6/14 | 11.6/14 | 11.6/14 |
| Nominal CFM/AHRI Rated CFM [L/s] | 1600/1600 [755/755] | 1600/1600 [755/755] | 1600/1600 [755/755] | 1600/1600 [755/755] |
| AHRI Net Cooling Capacity Btu [kW] | 47,500 [13.92] | 47,500 [13.92] | 47,500 [13.92] | 47,500 [13.92] |
| Net Sensible Capacity Btu [kW] | 36,200 [10.61] | 36,200 [10.61] | 36,200 [10.61] | 36,200 [10.61] |
| Net Latent Capacity Btu [kW] | 11,300 [3.31] | 11,300 [3.31] | 11,300 [3.31] | 11,300 [3.31] |
| Net System Power kW | 4.09 | 4.09 | 4.09 | 4.09 |
| Heating Performance (Heat Pumps) | | | | |
| Heating Temp. Btuh [kW] Rating | 49,000 [14.36] | 49,000 [14.36] | 49,000 [14.36] | 49,000 [14.36] |
| System Power KW/COP | 3.76/3.8 | 3.76/3.8 | 3.76/3.8 | 3.76/3.8 |
| Low Temp. Btuh [kW] Rating | 29,800 [8.73] | 29,800 [8.73] | 29,800 [8.73] | 29,800 [8.73] |
| System Power KW/COP | 3.48/2.4 | 3.48/2.4 | 3.48/2.4 | 3.48/2.4 |
| HSPF (Btu/Watts-hr) | 8 | 8 | 8 | 8 |
| Compressor | | | | |
| No./Type | 1/Scroll | 1/Scroll | 1/Scroll | 1/Scroll |
| Outdoor Sound Rating (dB)³ | 83 | 83 | 83 | 83 |
| Outdoor Coil—Fin Type | Louvered | Louvered | Louvered | Louvered |
| Tube Type | Rifled | Rifled | Rifled | Rifled |
| Tube Size in. [mm] OD | 0.375 [9.5] | 0.375 [9.5] | 0.375 [9.5] | 0.375 [9.5] |
| Face Area sq. ft. [sq. m] | 16.56 [1.54] | 16.56 [1.54] | 16.56 [1.54] | 16.56 [1.54] |
| Rows / FPI [FPcm] | 2 / 22 [9] | 2 / 22 [9] | 2 / 22 [9] | 2 / 22 [9] |
| Refrigerant Control | TX Valves | TX Valves | TX Valves | TX Valves |
| Indoor Coil—Fin Type | Louvered | Louvered | Louvered | Louvered |
| Tube Type | Rifled | Rifled | Rifled | Rifled |
| Tube Size in. [mm] | 0.375 [9.5] | 0.375 [9.5] | 0.375 [9.5] | 0.375 [9.5] |
| Face Area sq. ft. [sq. m] | 5.16 [0.48] | 5.16 [0.48] | 5.16 [0.48] | 5.16 [0.48] |
| Rows / FPI [FPcm] | 4 / 13 [5] | 4 / 13 [5] | 4 / 13 [5] | 4 / 13 [5] |
| Refrigerant Control | TX Valves | TX Valves | TX Valves | TX Valves |
| Drain Connection No./Size in. [mm] | 1/1 [25.4] | 1/1 [25.4] | 1/1 [25.4] | 1/1 [25.4] |
| Outdoor Fan—Type | Propeller | Propeller | Propeller | Propeller |
| No. Used/Diameter in. [mm] | 1/24 [609.6] | 1/24 [609.6] | 1/24 [609.6] | 1/24 [609.6] |
| Drive Type/No. Speeds | Direct/1 | Direct/1 | Direct/1 | Direct/1 |
| CFM [L/s] | 4000 [1888] | 4000 [1888] | 4000 [1888] | 4000 [1888] |
| No. Motors/HP | 1 at 1/3 HP | 1 at 1/3 HP | 1 at 1/3 HP | 1 at 1/3 HP |
| Motor RPM | 1075 | 1075 | 1075 | 1075 |
| Indoor Fan—Type | FC Centrifugal | FC Centrifugal | FC Centrifugal | FC Centrifugal |
| No. Used/Diameter in. [mm] | 1/10x10 [254x254] | 1/10x10 [254x254] | 1/10x10 [254x254] | 1/10x10 [254x254] |
| Drive Type/No. Speeds | Belt/Variable | Belt/Variable | Belt/Variable | Belt/Variable |
| No. Motors | 1 | 1 | 1 | 1 |
| Motor HP | 1/2 | 3/4 | 1/2 | 3/4 |
| Motor RPM | 1725 | 1725 | 1725 | 1725 |
| Motor Frame Size | 56 | 56 | 56 | 56 |
| Filter—Type | Disposable | Disposable | Disposable | Disposable |
| Furnished | Yes | Yes | Yes | Yes |
| (No.) Size Recommended in. [mm] | (2)1x25x16 [25x635x406] | (2)1x25x16 [25x635x406] | (2)1x25x16 [25x635x406] | (2)1x25x16 [25x635x406] |
| Refrigerant Charge Oz. [g] | 187 [5301] | 187 [5301] | 187 [5301] | 187 [5301] |
| Weights | | | | |
| Net Weight lbs. [kg] | 535 [243] | 535 [243] | 535 [243] | 535 [243] |
| Ship Weight lbs. [kg] | 550 [249] | 550 [249] | 550 [249] | 550 [249] |

See Page 13 for Notes.

[] Designates Metric Conversions

NOMINAL SIZES 3-5 TONS [10.6-17.6 kW]

| Model RJPL- Series | C060CL | C060CM | C060DL | C060DM |
|----------------------------------------------|-------------------------|-------------------------|-------------------------|-------------------------|
| Cooling Performance¹ | | | | |
| Gross Cooling Capacity Btu [kW] | 61,000 [17.87] | 61,000 [17.87] | 61,000 [17.87] | 61,000 [17.87] |
| EER/SEER ² | 11.7/14 | 11.7/14 | 11.7/14 | 11.7/14 |
| Nominal CFM/AHRI Rated CFM [L/s] | 2000/1850 [944/873] | 2000/1850 [944/873] | 2000/1850 [944/873] | 2000/1850 [944/873] |
| AHRI Net Cooling Capacity Btu [kW] | 59,500 [17.43] | 59,500 [17.43] | 59,500 [17.43] | 59,500 [17.43] |
| Net Sensible Capacity Btu [kW] | 43,600 [12.77] | 43,600 [12.77] | 43,600 [12.77] | 43,600 [12.77] |
| Net Latent Capacity Btu [kW] | 15,900 [4.66] | 15,900 [4.66] | 15,900 [4.66] | 15,900 [4.66] |
| Net System Power kW | 5.05 | 5.05 | 5.05 | 5.05 |
| Heating Performance (Heat Pumps) | | | | |
| Heating Temp. Btuh [kW] Rating | 59,500 [17.43] | 59,500 [17.43] | 59,500 [17.43] | 59,500 [17.43] |
| System Power KW/COP | 4.8/3.6 | 4.8/3.6 | 4.8/3.6 | 4.8/3.6 |
| Low Temp. Btuh [kW] Rating | 36,400 [10.67] | 36,400 [10.67] | 36,400 [10.67] | 36,400 [10.67] |
| System Power KW/COP | 4.47/2.2 | 4.47/2.2 | 4.47/2.2 | 4.47/2.2 |
| HSPF (Btu/Watts-hr) | 8 | 8 | 8 | 8 |
| Compressor | | | | |
| No./Type | 1/Scroll | 1/Scroll | 1/Scroll | 1/Scroll |
| Outdoor Sound Rating (dB)³ | | | | |
| | 83 | 83 | 83 | 83 |
| Outdoor Coil—Fin Type | | | | |
| Tube Type | Louvered | Louvered | Louvered | Louvered |
| Tube Size in. [mm] OD | Rifled | Rifled | Rifled | Rifled |
| Face Area sq. ft. [sq. m] | 0.375 [9.5] | 0.375 [9.5] | 0.375 [9.5] | 0.375 [9.5] |
| Rows / FPI [FPcm] | 16.56 [1.54] | 16.56 [1.54] | 16.56 [1.54] | 16.56 [1.54] |
| Refrigerant Control | 2 / 22 [9] | 2 / 22 [9] | 2 / 22 [9] | 2 / 22 [9] |
| | TX Valves | TX Valves | TX Valves | TX Valves |
| Indoor Coil—Fin Type | | | | |
| Tube Type | Louvered | Louvered | Louvered | Louvered |
| Tube Size in. [mm] | Rifled | Rifled | Rifled | Rifled |
| Face Area sq. ft. [sq. m] | 0.375 [9.5] | 0.375 [9.5] | 0.375 [9.5] | 0.375 [9.5] |
| Rows / FPI [FPcm] | 5.16 [0.48] | 5.16 [0.48] | 5.16 [0.48] | 5.16 [0.48] |
| Refrigerant Control | 4 / 13 [5] | 4 / 13 [5] | 4 / 13 [5] | 4 / 13 [5] |
| | TX Valves | TX Valves | TX Valves | TX Valves |
| Drain Connection No./Size in. [mm] | 1/1 [25.4] | 1/1 [25.4] | 1/1 [25.4] | 1/1 [25.4] |
| Outdoor Fan—Type | | | | |
| No. Used/Diameter in. [mm] | Propeller | Propeller | Propeller | Propeller |
| Drive Type/No. Speeds | 1/24 [609.6] | 1/24 [609.6] | 1/24 [609.6] | 1/24 [609.6] |
| CFM [L/s] | Direct/1 | Direct/1 | Direct/1 | Direct/1 |
| No. Motors/HP | 4000 [1888] | 4000 [1888] | 4000 [1888] | 4000 [1888] |
| Motor RPM | 1 at 1/3 HP | 1 at 1/3 HP | 1 at 1/3 HP | 1 at 1/3 HP |
| | 1075 | 1075 | 1075 | 1075 |
| Indoor Fan—Type | | | | |
| No. Used/Diameter in. [mm] | FC Centrifugal | FC Centrifugal | FC Centrifugal | FC Centrifugal |
| Drive Type/No. Speeds | 1/10x10 [254x254] | 1/10x10 [254x254] | 1/10x10 [254x254] | 1/10x10 [254x254] |
| No. Motors | Belt/Variable | Belt/Variable | Belt/Variable | Belt/Variable |
| Motor HP | 1 | 1 | 1 | 1 |
| Motor RPM | 3/4 | 1 | 3/4 | 1 |
| Motor Frame Size | 1725 | 1725 | 1725 | 1725 |
| | 56 | 56 | 56 | 56 |
| Filter—Type | | | | |
| Furnished | Disposable | Disposable | Disposable | Disposable |
| (No.) Size Recommended in. [mm] | Yes | Yes | Yes | Yes |
| | (2)1x25x16 [25x635x406] | (2)1x25x16 [25x635x406] | (2)1x25x16 [25x635x406] | (2)1x25x16 [25x635x406] |
| Refrigerant Charge Oz. [g] | | | | |
| | 197 [5585] | 197 [5585] | 197 [5585] | 197 [5585] |
| Weights | | | | |
| Net Weight lbs. [kg] | 565 [256] | 565 [256] | 565 [256] | 565 [256] |
| Ship Weight lbs. [kg] | 580 [263] | 580 [263] | 580 [263] | 580 [263] |

See Page 13 for Notes.

[] Designates Metric Conversions

NOTES:

1. Cooling Performance is rated at 95° F ambient, 80° F entering dry bulb, 67° F entering wet bulb. Gross capacity does not include the effect of fan motor heat. AHRI capacity is net and includes the effect of fan motor heat. Units are suitable for operation to $\pm 20\%$ of nominal cfm. Units are certified in accordance with the Unitary Air Conditioner Equipment certification program, which is based on AHRI Standard 210/240 or 360.
2. EER and/or SEER are rated at AHRI conditions and in accordance with DOE test procedures.
3. Outdoor Sound Rating shown is tested in accordance with AHRI Standard 270.
4. Integrated Energy Efficiency Ratio (IEER) is rated in accordance with AHRI Standard 210/240 or 360.



COOLING PERFORMANCE DATA—RJPL-C036

| ENTERING INDOOR AIR @ 80°F [26.7°C] dbE ① | | | | | | | | | | | |
|-------------------------------------------|------------|--------------------------------------------|----------------------------------|----------------------------------|----------------------------------|-----------------------------------|----------------------------------|----------------------------------|-----------------------------------|----------------------------------|----------------------------------|
| wbE | | 71°F [21.7°C] | | | 67°F [19.4°C] | | | 63°F [17.2°C] | | | |
| CFM [L/s] | | 1440 [680] | 1200 [566] | 960 [453] | 1440 [680] | 1200 [566] | 960 [453] | 1440 [680] | 1200 [566] | 960 [453] | |
| DR ① | | .05 | .09 | .13 | .05 | .09 | .13 | .05 | .09 | .13 | |
| OUTDOOR DRY BULB TEMPERATURE °F [°C] | 75 [23.9] | Total BTUH [kW] Sens BTUH [kW] Power | 46.6 [13.7] 29.1 [8.5] 2.0 | 45.0 [13.2] 25.0 [7.3] 2.0 | 43.3 [12.7] 21.1 [6.2] 2.0 | 44.5 [13.0] 34.4 [10.1] 2.0 | 42.9 [12.6] 29.9 [8.8] 2.0 | 41.3 [12.1] 25.7 [7.5] 1.9 | 41.5 [12.2] 37.2 [10.9] 2.0 | 40.1 [11.8] 32.6 [9.6] 2.0 | 38.6 [11.3] 28.2 [8.3] 1.9 |
| | 80 [26.7] | Total BTUH [kW] Sens BTUH [kW] Power | 45.6 [13.4] 29.0 [8.5] 2.1 | 44.0 [12.9] 24.9 [7.3] 2.1 | 42.4 [12.4] 21.1 [6.2] 2.1 | 43.5 [12.7] 34.4 [10.1] 2.1 | 42.0 [12.3] 30.0 [8.8] 2.1 | 40.4 [11.8] 25.7 [7.5] 2.1 | 40.6 [11.9] 37.2 [10.9] 2.1 | 39.2 [11.5] 32.6 [9.6] 2.1 | 37.7 [11.0] 28.2 [8.3] 2.1 |
| | 85 [29.4] | Total BTUH [kW] Sens BTUH [kW] Power | 44.5 [13.0] 28.6 [8.4] 2.3 | 43.0 [12.6] 24.7 [7.2] 2.2 | 41.4 [12.1] 20.9 [6.1] 2.2 | 42.4 [12.4] 34.1 [10.0] 2.3 | 40.9 [12.0] 29.7 [8.7] 2.2 | 39.4 [11.5] 25.6 [7.5] 2.2 | 39.5 [11.6] 36.8 [10.8] 2.3 | 38.1 [11.2] 32.3 [9.5] 2.2 | 36.7 [10.8] 28.0 [8.2] 2.2 |
| | 90 [32.2] | Total BTUH [kW] Sens BTUH [kW] Power | 43.3 [12.7] 28.3 [8.3] 2.4 | 41.8 [12.3] 24.4 [7.2] 2.4 | 40.3 [11.8] 20.8 [6.1] 2.3 | 41.2 [12.1] 33.7 [9.9] 2.4 | 39.7 [11.6] 29.3 [8.6] 2.4 | 38.3 [11.2] 25.3 [7.4] 2.3 | 38.3 [11.2] 36.5 [10.7] 2.4 | 36.9 [10.8] 32.0 [9.4] 2.4 | 35.6 [10.4] 27.8 [8.2] 2.3 |
| | 95 [35] | Total BTUH [kW] Sens BTUH [kW] Power | 42.0 [12.3] 27.7 [8.1] 2.6 | 40.5 [11.9] 23.8 [7.0] 2.5 | 39.0 [11.4] 20.2 [5.9] 2.5 | 39.8 [11.7] 33.0 [9.7] 2.6 | 38.4 [11.3] 28.8 [8.5] 2.5 | 37.0 [10.8] 24.8 [7.3] 2.5 | 36.9 [10.8] 35.8 [10.5] 2.5 | 35.6 [10.4] 31.4 [9.2] 2.5 | 34.3 [10.1] 27.3 [8.0] 2.5 |
| | 100 [37.8] | Total BTUH [kW] Sens BTUH [kW] Power | 40.5 [11.9] 26.8 [7.9] 2.7 | 39.1 [11.5] 23.1 [6.8] 2.7 | 37.7 [11.0] 19.7 [5.8] 2.6 | 38.4 [11.3] 32.3 [9.5] 2.7 | 37.0 [10.8] 28.1 [8.2] 2.7 | 35.7 [10.5] 24.3 [7.1] 2.6 | 35.4 [10.4] 34.9 [10.2] 2.7 | 34.2 [10.0] 30.7 [9.0] 2.7 | 32.9 [9.6] 26.7 [7.8] 2.6 |
| | 105 [40.6] | Total BTUH [kW] Sens BTUH [kW] Power | 38.9 [11.4] 25.8 [7.6] 2.9 | 37.5 [11.0] 22.2 [6.5] 2.8 | 36.2 [10.6] 18.9 [5.5] 2.8 | 36.7 [10.8] 31.2 [9.2] 2.9 | 35.5 [10.4] 27.3 [8.0] 2.8 | 34.2 [10.0] 23.6 [6.9] 2.8 | 33.8 [9.9] 33.8 [9.9] 2.9 | 32.6 [9.6] 29.8 [8.7] 2.8 | 31.4 [9.2] 25.9 [7.6] 2.8 |
| | 110 [43.3] | Total BTUH [kW] Sens BTUH [kW] Power | 37.1 [10.9] 24.5 [7.2] 3.0 | 35.8 [10.5] 21.1 [6.2] 3.0 | 34.5 [10.1] 18.0 [5.3] 2.9 | 35.0 [10.3] 30.0 [8.8] 3.0 | 33.8 [9.9] 26.2 [7.7] 3.0 | 32.5 [9.5] 22.6 [6.6] 2.9 | 32.1 [9.4] 32.1 [9.4] 3.0 | 31.0 [9.1] 28.8 [8.5] 3.0 | 29.8 [8.7] 25.0 [7.3] 2.9 |
| | 115 [46.1] | Total BTUH [kW] Sens BTUH [kW] Power | 35.3 [10.3] 23.1 [6.8] 3.2 | 34.0 [10.0] 19.8 [5.8] 3.2 | 32.8 [9.6] 16.9 [5.0] 3.1 | 33.1 [9.7] 28.4 [8.3] 3.2 | 32.0 [9.4] 24.9 [7.3] 3.2 | 30.8 [9.0] 21.5 [6.3] 3.1 | 30.2 [8.9] 30.2 [8.9] 3.2 | 29.1 [8.5] 27.4 [8.0] 3.2 | 28.1 [8.2] 23.9 [7.0] 3.1 |

DR —Depression ratio
dbE —Entering air dry bulb
wbE—Entering air wet bulb

Total —Total capacity x 1000 BTUH
Sens —Sensible capacity x 1000 BTUH
Power—KW input

NOTES:

① When the entering air dry bulb is other than 80°F [27°C], adjust the sensible capacity from the table by adding [1.10 x CFM x (1 - DR) x (dbE - 80)].

HEATING PERFORMANCE DATA—RJPL-C036

| IDB | | 60°F [15.5°C] | | | 70°F [21.1°C] | | | 80°F [26.7°C] | | | |
|--------------------------------------|--------------------------|--------------------------|--------------------|--------------------|-------------------|-------------------|-------------------|-------------------|-------------------|-------------------|-------------------|
| CFM [L/s] | | 1440 [680] | 1200 [566] | 960 [453] | 1440 [680] | 1200 [566] | 960 [453] | 1440 [680] | 1200 [566] | 960 [453] | |
| OUTDOOR DRY BULB TEMPERATURE °F [°C] | 0 [-17.8] | Total BTUH [kW] Power | 10.4 [3.0] 1.7 | 10.3 [3.0] 1.7 | 10.1 [3.0] 1.7 | 9.1 [2.7] 1.9 | 9.0 [2.6] 2.0 | 8.9 [2.6] 2.0 | 7.8 [2.3] 2.2 | 7.7 [2.3] 2.3 | 7.6 [2.2] 2.3 |
| | 5 [26.7] | Total BTUH [kW] Power | 12.9 [3.8] 1.7 | 12.7 [3.7] 1.7 | 12.5 [3.7] 1.8 | 11.6 [3.4] 1.9 | 11.4 [3.3] 2.0 | 11.3 [3.3] 2.0 | 10.3 [3.0] 2.2 | 10.2 [3.0] 2.3 | 10.0 [2.9] 2.3 |
| | 10 [-12.2] | Total BTUH [kW] Power | 15.4 [4.5] 1.7 | 15.1 [4.4] 1.8 | 14.9 [4.4] 1.8 | 14.1 [4.1] 2.0 | 13.9 [4.1] 2.0 | 13.7 [4.0] 2.1 | 12.8 [3.8] 2.3 | 12.6 [3.7] 2.3 | 12.4 [3.6] 2.4 |
| | 15 [32.2] | Total BTUH [kW] Power | 17.8 [5.2] 1.8 | 17.6 [5.2] 1.8 | 17.3 [5.1] 1.9 | 16.6 [4.9] 2.0 | 16.3 [4.8] 2.1 | 16.1 [4.7] 2.1 | 15.3 [4.5] 2.3 | 15.1 [4.4] 2.4 | 14.8 [4.3] 2.4 |
| | 20 [-6.6] | Total BTUH [kW] Power | 20.3 [5.9] 1.8 | 20.0 [5.9] 1.9 | 19.7 [5.8] 1.9 | 19.0 [5.6] 2.1 | 18.8 [5.5] 2.1 | 18.5 [5.4] 2.2 | 17.8 [5.2] 2.3 | 17.5 [5.1] 2.4 | 17.3 [5.1] 2.5 |
| | 25 [37.8] | Total BTUH [kW] Power | 22.8 [6.7] 1.8 | 22.5 [6.6] 1.9 | 22.2 [6.5] 1.9 | 21.5 [6.3] 2.1 | 21.2 [6.2] 2.1 | 20.9 [6.1] 2.2 | 20.2 [5.9] 2.4 | 19.9 [5.8] 2.4 | 19.7 [5.8] 2.5 |
| | 30 [-1.1] | Total BTUH [kW] Power | 25.3 [7.4] 1.9 | 24.9 [7.3] 1.9 | 24.6 [7.2] 2.0 | 24.0 [7.0] 2.1 | 23.7 [6.9] 2.2 | 23.3 [6.8] 2.2 | 22.7 [6.7] 2.4 | 22.4 [6.6] 2.5 | 22.1 [6.5] 2.5 |
| | 35 [43.3] | Total BTUH [kW] Power | 27.8 [8.1] 1.9 | 27.4 [8.0] 2.0 | 27.0 [7.9] 2.0 | 26.5 [7.8] 2.2 | 26.1 [7.6] 2.2 | 25.7 [7.5] 2.3 | 25.2 [7.4] 2.5 | 24.8 [7.3] 2.5 | 24.5 [7.2] 2.6 |
| | 40 [4.4] | Total BTUH [kW] Power | 30.2 [8.9] 2.0 | 29.8 [8.7] 2.0 | 29.4 [8.6] 2.1 | 28.9 [8.5] 2.2 | 28.5 [8.4] 2.3 | 28.1 [8.2] 2.3 | 27.7 [8.1] 2.5 | 27.3 [8.0] 2.6 | 26.9 [7.9] 2.6 |
| | 45 [46.1] | Total BTUH [kW] Power | 32.7 [9.6] 2.0 | 32.2 [9.4] 2.0 | 31.8 [9.3] 2.1 | 31.4 [9.2] 2.2 | 31.0 [9.1] 2.3 | 30.5 [8.9] 2.4 | 30.1 [8.8] 2.5 | 29.7 [8.7] 2.6 | 29.3 [8.6] 2.7 |
| 50 [10] | Total BTUH [kW] Power | 35.2 [10.3] 2.0 | 34.7 [10.2] 2.1 | 34.2 [10.0] 2.1 | 33.9 [9.9] 2.3 | 33.4 [9.8] 2.3 | 33.0 [9.7] 2.4 | 32.6 [9.6] 2.6 | 32.2 [9.4] 2.6 | 31.7 [9.3] 2.7 | |

IDB—Indoor air dry bulb

[] Designates Metric Conversions





COOLING PERFORMANCE DATA—RJPL-C042

| | | ENTERING INDOOR AIR @ 80°F [26.7°C] dbE ① | | | | | | | | | |
|--------------------------------------|------------|--------------------------------------------|-----------------------------------|----------------------------------|----------------------------------|-----------------------------------|-----------------------------------|----------------------------------|-----------------------------------|-----------------------------------|----------------------------------|
| | | 71°F [21.7°C] | | | 67°F [19.4°C] | | | 63°F [17.2°C] | | | |
| wbE | | 1680 [793] | 1400 [661] | 1120 [529] | 1680 [793] | 1400 [661] | 1120 [529] | 1680 [793] | 1400 [661] | 1120 [529] | |
| CFM [L/s] | | 1680 [793] | 1400 [661] | 1120 [529] | 1680 [793] | 1400 [661] | 1120 [529] | 1680 [793] | 1400 [661] | 1120 [529] | |
| DR ① | | .03 | .06 | .10 | .03 | .06 | .10 | .03 | .06 | .10 | |
| OUTDOOR DRY BULB TEMPERATURE °F [°C] | 75 [23.9] | Total BTUH [kW] Sens BTUH [kW] Power | 54.8 [16.1] 34.1 [10.0] 2.5 | 52.8 [15.5] 29.2 [8.6] 2.4 | 50.9 [14.9] 24.8 [7.3] 2.4 | 51.6 [15.1] 40.3 [11.8] 2.4 | 49.8 [14.6] 35.1 [10.3] 2.4 | 48.0 [14.1] 30.2 [8.9] 2.4 | 48.3 [14.2] 44.0 [12.9] 2.4 | 46.6 [13.7] 38.5 [11.3] 2.4 | 44.9 [13.2] 33.4 [9.8] 2.3 |
| | 80 [26.7] | Total BTUH [kW] Sens BTUH [kW] Power | 53.3 [15.6] 33.9 [9.9] 2.6 | 51.5 [15.1] 29.2 [8.6] 2.6 | 49.6 [14.5] 24.8 [7.3] 2.5 | 50.2 [14.7] 40.2 [11.8] 2.6 | 48.4 [14.2] 35.0 [10.3] 2.6 | 46.7 [13.7] 30.2 [8.9] 2.5 | 46.9 [13.7] 43.8 [12.8] 2.6 | 45.2 [13.2] 38.4 [11.3] 2.5 | 43.6 [12.8] 33.4 [9.8] 2.5 |
| | 85 [29.4] | Total BTUH [kW] Sens BTUH [kW] Power | 51.9 [15.2] 33.6 [9.9] 2.8 | 50.0 [14.7] 28.8 [8.5] 2.7 | 48.2 [14.1] 24.5 [7.2] 2.7 | 48.7 [14.3] 39.9 [11.7] 2.8 | 47.0 [13.8] 34.8 [10.2] 2.7 | 45.3 [13.3] 30.0 [8.8] 2.7 | 45.4 [13.3] 43.5 [12.8] 2.7 | 43.8 [12.8] 38.2 [11.2] 2.7 | 42.2 [12.4] 33.2 [9.7] 2.7 |
| | 90 [32.2] | Total BTUH [kW] Sens BTUH [kW] Power | 50.3 [14.7] 33.0 [9.7] 3.0 | 48.6 [14.2] 28.5 [8.4] 2.9 | 46.8 [13.7] 24.2 [7.1] 2.9 | 47.2 [13.8] 39.5 [11.6] 2.9 | 45.5 [13.3] 34.4 [10.1] 2.9 | 43.9 [12.9] 29.7 [8.7] 2.8 | 43.9 [12.9] 43.0 [12.6] 2.9 | 42.3 [12.4] 37.7 [11.1] 2.9 | 40.8 [12.0] 32.8 [9.6] 2.8 |
| | 95 [35] | Total BTUH [kW] Sens BTUH [kW] Power | 48.7 [14.3] 32.3 [9.5] 3.1 | 47.0 [13.8] 27.8 [8.2] 3.1 | 45.3 [13.3] 23.7 [7.0] 3.0 | 45.6 [13.4] 38.7 [11.4] 3.1 | 44.0 [12.9] 33.8 [9.9] 3.1 | 42.4 [12.4] 29.2 [8.6] 3.0 | 42.3 [12.4] 42.2 [12.4] 3.1 | 40.8 [12.0] 37.1 [10.9] 3.0 | 39.3 [11.5] 32.3 [9.5] 3.0 |
| | 100 [37.8] | Total BTUH [kW] Sens BTUH [kW] Power | 47.1 [13.8] 31.3 [9.2] 3.3 | 45.4 [13.3] 26.9 [7.9] 3.3 | 43.8 [12.8] 22.9 [6.7] 3.2 | 43.9 [12.9] 37.6 [11.0] 3.3 | 42.4 [12.4] 32.9 [9.7] 3.3 | 40.8 [12.0] 28.4 [8.3] 3.2 | 40.6 [11.9] 40.6 [11.9] 3.3 | 39.2 [11.5] 36.3 [10.6] 3.2 | 37.8 [11.1] 31.6 [9.3] 3.2 |
| | 105 [40.6] | Total BTUH [kW] Sens BTUH [kW] Power | 45.4 [13.3] 30.1 [8.8] 3.5 | 43.8 [12.8] 25.9 [7.6] 3.5 | 42.2 [12.4] 22.0 [6.5] 3.4 | 42.2 [12.4] 36.4 [10.7] 3.5 | 40.7 [11.9] 31.8 [9.3] 3.5 | 39.2 [11.5] 27.5 [8.1] 3.4 | 38.9 [11.4] 38.9 [11.4] 3.5 | 37.5 [11.0] 35.2 [10.3] 3.4 | 36.2 [10.6] 30.7 [9.0] 3.4 |
| | 110 [43.3] | Total BTUH [kW] Sens BTUH [kW] Power | 43.6 [12.8] 28.6 [8.4] 3.7 | 42.1 [12.3] 24.7 [7.2] 3.7 | 40.5 [11.9] 20.9 [6.1] 3.6 | 40.4 [11.8] 35.0 [10.3] 3.7 | 39.0 [11.4] 30.6 [9.0] 3.7 | 37.6 [11.0] 26.5 [7.8] 3.6 | 37.1 [10.9] 37.1 [10.9] 3.7 | 35.8 [10.5] 34.0 [10.0] 3.6 | 34.5 [10.1] 29.6 [8.7] 3.6 |
| | 115 [46.1] | Total BTUH [kW] Sens BTUH [kW] Power | 41.7 [12.2] 27.0 [7.9] 4.0 | 40.3 [11.8] 23.3 [6.8] 3.9 | 38.8 [11.4] 19.8 [5.8] 3.8 | 38.6 [11.3] 33.3 [9.8] 3.9 | 37.2 [10.9] 29.1 [8.5] 3.9 | 35.9 [10.5] 25.2 [7.4] 3.8 | 35.3 [10.3] 35.3 [10.4] 3.9 | 34.0 [10.0] 32.5 [9.5] 3.9 | 32.8 [9.6] 28.4 [8.3] 3.8 |

DR —Depression ratio
dbE —Entering air dry bulb
wbE—Entering air wet bulb

Total —Total capacity x 1000 BTUH
Sens —Sensible capacity x 1000 BTUH
Power—KW input

NOTES:

① When the entering air dry bulb is other than 80°F [27°C], adjust the sensible capacity from the table by adding [1.10 x CFM x (1 – DR) x (dbE – 80)].

HEATING PERFORMANCE DATA—RJPL-C042

| | | 60°F [15.5°C] | | | 70°F [21.1°C] | | | 80°F [26.7°C] | | | |
|--------------------------------------|--------------------------|--------------------------|--------------------|--------------------|--------------------|--------------------|--------------------|--------------------|--------------------|--------------------|--------------------|
| IDB | | 1680 [793] | 1400 [661] | 1120 [529] | 1680 [793] | 1400 [661] | 1120 [529] | 1680 [793] | 1400 [661] | 1120 [529] | |
| CFM [L/s] | | 1680 [793] | 1400 [661] | 1120 [529] | 1680 [793] | 1400 [661] | 1120 [529] | 1680 [793] | 1400 [661] | 1120 [529] | |
| OUTDOOR DRY BULB TEMPERATURE °F [°C] | 0 [-17.8] | Total BTUH [kW] Power | 13.8 [4.0] 1.8 | 13.6 [4.0] 1.9 | 13.4 [3.9] 1.9 | 12.3 [3.6] 2.1 | 12.2 [3.6] 2.2 | 12.0 [3.5] 2.2 | 10.9 [3.2] 2.5 | 10.8 [3.2] 2.5 | 10.6 [3.1] 2.6 |
| | 5 [26.7] | Total BTUH [kW] Power | 16.6 [4.9] 1.9 | 16.3 [4.8] 1.9 | 16.1 [4.7] 2.0 | 15.1 [4.4] 2.2 | 14.9 [4.4] 2.2 | 14.7 [4.3] 2.3 | 13.7 [4.0] 2.5 | 13.5 [4.0] 2.6 | 13.3 [3.9] 2.6 |
| | 10 [-12.2] | Total BTUH [kW] Power | 19.4 [5.7] 1.9 | 19.1 [5.6] 2.0 | 18.8 [5.5] 2.0 | 17.9 [5.2] 2.2 | 17.7 [5.2] 2.3 | 17.4 [5.1] 2.3 | 16.5 [4.8] 2.5 | 16.3 [4.8] 2.6 | 16.0 [4.7] 2.7 |
| | 15 [32.2] | Total BTUH [kW] Power | 22.1 [6.5] 2.0 | 21.8 [6.4] 2.0 | 21.5 [6.3] 2.1 | 20.7 [6.1] 2.3 | 20.4 [6.0] 2.3 | 20.1 [5.9] 2.4 | 19.3 [5.7] 2.6 | 19.0 [5.6] 2.7 | 18.7 [5.5] 2.7 |
| | 20 [-6.6] | Total BTUH [kW] Power | 24.9 [7.3] 2.0 | 24.6 [7.2] 2.1 | 24.2 [7.1] 2.1 | 23.5 [6.9] 2.3 | 23.2 [6.8] 2.4 | 22.8 [6.7] 2.4 | 22.1 [6.5] 2.6 | 21.8 [6.4] 2.7 | 21.5 [6.3] 2.8 |
| | 25 [37.8] | Total BTUH [kW] Power | 27.7 [8.1] 2.1 | 27.3 [8.0] 2.1 | 26.9 [7.9] 2.2 | 26.3 [7.7] 2.4 | 25.9 [7.6] 2.4 | 25.6 [7.5] 2.5 | 24.9 [7.3] 2.7 | 24.5 [7.2] 2.8 | 24.2 [7.1] 2.8 |
| | 30 [-1.1] | Total BTUH [kW] Power | 30.5 [8.9] 2.1 | 30.1 [8.8] 2.2 | 29.7 [8.7] 2.2 | 29.1 [8.5] 2.4 | 28.7 [8.4] 2.5 | 28.3 [8.3] 2.5 | 27.7 [8.1] 2.7 | 27.3 [8.0] 2.8 | 26.9 [7.9] 2.9 |
| | 35 [43.3] | Total BTUH [kW] Power | 33.3 [9.8] 2.2 | 32.8 [9.6] 2.2 | 32.4 [9.5] 2.3 | 31.9 [9.3] 2.5 | 31.4 [9.2] 2.5 | 31.0 [9.1] 2.6 | 30.4 [8.9] 2.8 | 30.0 [8.8] 2.9 | 29.6 [8.7] 2.9 |
| | 40 [4.4] | Total BTUH [kW] Power | 36.1 [10.6] 2.2 | 35.6 [10.4] 2.3 | 35.1 [10.3] 2.3 | 34.7 [10.2] 2.5 | 34.2 [10.0] 2.6 | 33.7 [9.9] 2.6 | 33.2 [9.7] 2.8 | 32.8 [9.6] 2.9 | 32.3 [9.5] 3.0 |
| | 45 [46.1] | Total BTUH [kW] Power | 38.9 [11.4] 2.3 | 38.3 [11.2] 2.3 | 37.8 [11.1] 2.4 | 37.4 [11.0] 2.6 | 36.9 [10.8] 2.6 | 36.4 [10.7] 2.7 | 36.0 [10.6] 2.9 | 35.5 [10.4] 3.0 | 35.0 [10.3] 3.0 |
| 50 [10] | Total BTUH [kW] Power | 41.7 [12.2] 2.3 | 41.1 [12.0] 2.4 | 40.5 [11.9] 2.4 | 40.2 [11.8] 2.6 | 39.7 [11.6] 2.7 | 39.1 [11.5] 2.7 | 38.8 [11.4] 2.9 | 38.3 [11.2] 3.0 | 37.7 [11.0] 3.1 | |

IDB—Indoor air dry bulb

[] Designates Metric Conversions





COOLING PERFORMANCE DATA—RJPL-C048

| | | ENTERING INDOOR AIR @ 80°F [26.7°C] dbE ① | | | | | | | | | |
|-----------------------------------------------------|-----------------|-------------------------------------------|-------------|-------------|---------------|-------------|-------------|---------------|-------------|-------------|-------------|
| | | 71°F [21.7°C] | | | 67°F [19.4°C] | | | 63°F [17.2°C] | | | |
| | | 1920 [906] | 1600 [755] | 1280 [604] | 1920 [906] | 1600 [755] | 1280 [604] | 1920 [906] | 1600 [755] | 1280 [604] | |
| | | CFM [L/s] | | | | | | | | | |
| | | DR ① | .02 | .06 | .09 | .02 | .06 | .09 | .02 | .06 | .09 |
| OUTDOOR DRY BULB TEMPERATURE °F [°C] | 75 [23.9] | Total BTUH [kW] | 63.2 [18.5] | 61.0 [17.9] | 58.8 [17.2] | 59.7 [17.5] | 57.6 [16.9] | 55.5 [16.3] | 58.2 [17.1] | 56.2 [16.5] | 54.1 [15.9] |
| | | Sens BTUH [kW] | 40.8 [12.0] | 35.1 [10.3] | 29.8 [8.7] | 48.2 [14.1] | 42.0 [12.3] | 36.2 [10.6] | 54.0 [15.8] | 47.4 [13.9] | 41.1 [12.1] |
| | | Power | 2.7 | 2.7 | 2.6 | 2.7 | 2.7 | 2.6 | 2.7 | 2.7 | 2.6 |
| | 80 [26.7] | Total BTUH [kW] | 61.0 [17.9] | 58.9 [17.3] | 56.7 [16.6] | 57.5 [16.9] | 55.5 [16.3] | 53.5 [15.7] | 56.0 [16.4] | 54.0 [15.8] | 52.1 [15.3] |
| | | Sens BTUH [kW] | 39.7 [11.6] | 34.2 [10.0] | 29.0 [8.5] | 47.1 [13.8] | 41.1 [12.1] | 35.5 [10.4] | 52.9 [15.5] | 46.4 [13.6] | 40.3 [11.8] |
| | | Power | 2.9 | 2.9 | 2.8 | 2.9 | 2.8 | 2.8 | 2.9 | 2.8 | 2.8 |
| | 85 [29.4] | Total BTUH [kW] | 58.9 [17.3] | 56.9 [16.7] | 54.8 [16.1] | 55.4 [16.2] | 53.5 [15.7] | 51.5 [15.1] | 53.9 [15.8] | 52.0 [15.2] | 50.1 [14.7] |
| | | Sens BTUH [kW] | 38.6 [11.3] | 33.3 [9.8] | 28.3 [8.3] | 46.0 [13.5] | 40.2 [11.8] | 34.6 [10.2] | 51.8 [15.2] | 45.5 [13.3] | 39.5 [11.6] |
| | | Power | 3.1 | 3.0 | 3.0 | 3.1 | 3.0 | 3.0 | 3.0 | 3.0 | 2.9 |
| | 90 [32.2] | Total BTUH [kW] | 57.0 [16.7] | 55.0 [16.1] | 53.0 [15.5] | 53.5 [15.7] | 51.6 [15.1] | 49.7 [14.6] | 51.9 [15.2] | 50.1 [14.7] | 48.3 [14.2] |
| Sens BTUH [kW] | | 37.7 [11.1] | 32.5 [9.5] | 27.7 [8.1] | 45.2 [13.3] | 39.4 [11.6] | 34.0 [10.0] | 50.7 [14.9] | 44.6 [13.1] | 38.8 [11.4] | |
| Power | | 3.3 | 3.2 | 3.2 | 3.3 | 3.2 | 3.2 | 3.2 | 3.2 | 3.1 | |
| 95 [35] | Total BTUH [kW] | 55.1 [16.1] | 53.2 [15.6] | 51.2 [15.0] | 51.6 [15.1] | 49.8 [14.6] | 48.0 [14.1] | 50.1 [14.7] | 48.3 [14.2] | 46.6 [13.7] | |
| | Sens BTUH [kW] | 36.6 [10.7] | 31.6 [9.3] | 26.8 [7.9] | 44.1 [12.9] | 38.5 [11.3] | 33.3 [9.8] | 49.9 [14.6] | 43.8 [12.8] | 38.2 [11.2] | |
| | Power | 3.5 | 3.4 | 3.4 | 3.5 | 3.4 | 3.4 | 3.5 | 3.4 | 3.3 | |
| 100 [37.8] | Total BTUH [kW] | 53.4 [15.6] | 51.5 [15.1] | 49.6 [14.5] | 49.9 [14.6] | 48.1 [14.1] | 46.4 [13.6] | 48.3 [14.2] | 46.6 [13.7] | 44.9 [13.2] | |
| | Sens BTUH [kW] | 35.8 [10.5] | 30.8 [9.0] | 26.2 [7.7] | 43.2 [12.7] | 37.7 [11.1] | 32.6 [9.6] | 48.3 [14.2] | 42.9 [12.6] | 37.4 [11.0] | |
| | Power | 3.7 | 3.7 | 3.6 | 3.7 | 3.6 | 3.6 | 3.7 | 3.6 | 3.5 | |
| 105 [40.6] | Total BTUH [kW] | 51.8 [15.2] | 49.9 [14.6] | 48.1 [14.1] | 48.2 [14.1] | 46.6 [13.7] | 44.9 [13.2] | 46.7 [13.7] | 45.1 [13.2] | 43.4 [12.7] | |
| | Sens BTUH [kW] | 34.8 [10.2] | 29.9 [8.8] | 25.5 [7.5] | 42.1 [12.3] | 36.9 [10.8] | 31.9 [9.4] | 46.7 [13.7] | 42.2 [12.4] | 36.7 [10.8] | |
| | Power | 4.0 | 3.9 | 3.8 | 3.9 | 3.9 | 3.8 | 3.9 | 3.8 | 3.8 | |
| 110 [43.3] | Total BTUH [kW] | 50.3 [14.7] | 48.5 [14.2] | 46.7 [13.7] | 46.8 [13.7] | 45.1 [13.2] | 43.5 [12.7] | 45.2 [13.2] | 43.6 [12.8] | 42.1 [12.3] | |
| | Sens BTUH [kW] | 33.9 [9.9] | 29.2 [8.6] | 24.8 [7.3] | 41.3 [12.1] | 36.1 [10.6] | 31.3 [9.2] | 45.2 [13.3] | 41.4 [12.1] | 36.2 [10.6] | |
| | Power | 4.2 | 4.1 | 4.1 | 4.2 | 4.1 | 4.0 | 4.2 | 4.1 | 4.0 | |
| 115 [46.1] | Total BTUH [kW] | 48.9 [14.3] | 47.2 [13.8] | 45.5 [13.3] | 45.4 [13.3] | 43.8 [12.8] | 42.2 [12.4] | 43.9 [12.9] | 42.3 [12.4] | 40.8 [12.0] | |
| | Sens BTUH [kW] | 33.0 [9.7] | 28.5 [8.4] | 24.3 [7.1] | 40.5 [11.9] | 35.4 [10.4] | 30.6 [9.0] | 43.9 [12.9] | 40.7 [11.9] | 35.5 [10.4] | |
| | Power | 4.5 | 4.4 | 4.3 | 4.4 | 4.4 | 4.3 | 4.4 | 4.3 | 4.3 | |

DR —Depression ratio
dbE —Entering air dry bulb
wbE —Entering air wet bulb

Total —Total capacity x 1000 BTUH
Sens —Sensible capacity x 1000 BTUH
Power —KW input

NOTES:

① When the entering air dry bulb is other than 80°F [27°C], adjust the sensible capacity from the table by adding [1.10 x CFM x (1 - DR) x (dbE - 80)].

HEATING PERFORMANCE DATA—RJPL-C048

| | | 60°F [15.5°C] | | | 70°F [21.1°C] | | | 80°F [26.7°C] | | | |
|-----------------------------------------------------|-----------------|-----------------|-------------|-------------|---------------|-------------|-------------|---------------|-------------|-------------|------------|
| | | 1920 [906] | 1600 [755] | 1280 [604] | 1920 [906] | 1600 [755] | 1280 [604] | 1920 [906] | 1600 [755] | 1280 [604] | |
| | | CFM [L/s] | | | | | | | | | |
| OUTDOOR DRY BULB TEMPERATURE °F [°C] | 0 [-17.8] | Total BTUH [kW] | 16.8 [4.9] | 16.5 [4.8] | 16.3 [4.8] | 15.0 [4.4] | 14.8 [4.3] | 14.6 [4.3] | 13.3 [3.9] | 13.1 [3.8] | 12.9 [3.8] |
| | | Power | 2.2 | 2.3 | 2.3 | 2.6 | 2.6 | 2.7 | 3.0 | 3.1 | 3.2 |
| | 5 [26.7] | Total BTUH [kW] | 20.2 [5.9] | 19.9 [5.8] | 19.6 [5.7] | 18.5 [5.4] | 18.2 [5.3] | 17.9 [5.2] | 16.7 [4.9] | 16.5 [4.8] | 16.2 [4.7] |
| | | Power | 2.3 | 2.3 | 2.4 | 2.6 | 2.7 | 2.8 | 3.0 | 3.1 | 3.2 |
| | 10 [-12.2] | Total BTUH [kW] | 23.7 [6.9] | 23.3 [6.8] | 23.0 [6.7] | 21.9 [6.4] | 21.6 [6.3] | 21.3 [6.2] | 20.1 [5.9] | 19.9 [5.8] | 19.6 [5.7] |
| | | Power | 2.3 | 2.4 | 2.4 | 2.7 | 2.7 | 2.8 | 3.1 | 3.2 | 3.2 |
| | 15 [32.2] | Total BTUH [kW] | 27.1 [7.9] | 26.7 [7.8] | 26.3 [7.7] | 25.3 [7.4] | 25.0 [7.3] | 24.6 [7.2] | 23.6 [6.9] | 23.3 [6.8] | 22.9 [6.7] |
| | | Power | 2.4 | 2.4 | 2.5 | 2.7 | 2.8 | 2.9 | 3.1 | 3.2 | 3.3 |
| | 20 [-6.6] | Total BTUH [kW] | 30.5 [8.9] | 30.1 [8.8] | 29.7 [8.7] | 28.8 [8.4] | 28.4 [8.3] | 28.0 [8.2] | 27.0 [7.9] | 26.6 [7.8] | 26.3 [7.7] |
| | | Power | 2.4 | 2.5 | 2.5 | 2.8 | 2.8 | 2.9 | 3.2 | 3.3 | 3.3 |
| 25 [37.8] | Total BTUH [kW] | 34.0 [10.0] | 33.5 [9.8] | 33.0 [9.7] | 32.2 [9.4] | 31.8 [9.3] | 31.3 [9.2] | 30.5 [8.9] | 30.0 [8.8] | 29.6 [8.7] | |
| | Power | 2.5 | 2.5 | 2.6 | 2.8 | 2.9 | 3.0 | 3.2 | 3.3 | 3.4 | |
| 30 [-1.1] | Total BTUH [kW] | 37.4 [11.0] | 36.9 [10.8] | 36.4 [10.7] | 35.7 [10.5] | 35.2 [10.3] | 34.7 [10.2] | 33.9 [9.9] | 33.4 [9.8] | 33.0 [9.7] | |
| | Power | 2.5 | 2.6 | 2.6 | 2.9 | 2.9 | 3.0 | 3.3 | 3.4 | 3.4 | |
| 35 [43.3] | Total BTUH [kW] | 40.9 [12.0] | 40.3 [11.8] | 39.7 [11.6] | 39.1 [11.5] | 38.6 [11.3] | 38.0 [11.1] | 37.4 [11.0] | 36.8 [10.8] | 36.3 [10.6] | |
| | Power | 2.5 | 2.6 | 2.7 | 2.9 | 3.0 | 3.1 | 3.3 | 3.4 | 3.5 | |
| 40 [4.4] | Total BTUH [kW] | 44.3 [13.0] | 43.7 [12.8] | 43.1 [12.6] | 42.6 [12.5] | 42.0 [12.3] | 41.4 [12.1] | 40.8 [12.0] | 40.2 [11.8] | 39.7 [11.6] | |
| | Power | 2.6 | 2.7 | 2.7 | 2.9 | 3.0 | 3.1 | 3.4 | 3.4 | 3.5 | |
| 45 [46.1] | Total BTUH [kW] | 47.8 [14.0] | 47.1 [13.8] | 46.4 [13.6] | 46.0 [13.5] | 45.4 [13.3] | 44.7 [13.1] | 44.2 [13.0] | 43.6 [12.8] | 43.0 [12.6] | |
| | Power | 2.6 | 2.7 | 2.8 | 3.0 | 3.1 | 3.1 | 3.4 | 3.5 | 3.6 | |
| 50 [10] | Total BTUH [kW] | 51.2 [15.0] | 50.5 [14.8] | 49.8 [14.6] | 49.4 [14.5] | 48.8 [14.3] | 48.1 [14.1] | 47.7 [14.0] | 47.0 [13.8] | 46.3 [13.6] | |
| | Power | 2.7 | 2.7 | 2.8 | 3.0 | 3.1 | 3.2 | 3.5 | 3.5 | 3.6 | |

IDB—Indoor air dry bulb

[] Designates Metric Conversions



BELT-DRIVE AIRFLOW PERFORMANCE

| Models Voltage | | External Static Pressure—Inches of Water [kPa] | | | | | | | | | | | | | | | | | | | | | | | | | | | | | | |
|-----------------------|-----|------------------------------------------------|-----|-----------|-----|-----------|-----|-----------|-----|-----------|------|-----------|------|-----------|------|-----------|------|-----------|------|-----------|------|-----------|------|-----------|------|-----------|------|-----------|------|-----------|-----|-----|
| | | 0.1 [.02] | | 0.2 [.05] | | 0.3 [.07] | | 0.4 [.10] | | 0.5 [.12] | | 0.6 [.15] | | 0.7 [.17] | | 0.8 [.20] | | 0.9 [.22] | | 1.0 [.25] | | 1.1 [.27] | | 1.2 [.30] | | 1.3 [.32] | | 1.4 [.35] | | 1.5 [.37] | | |
| Air Flow CFM [L/s] | W | RPM | W | RPM | W | RPM | W | RPM | W | RPM | W | RPM | W | RPM | W | RPM | W | RPM | W | RPM | W | RPM | W | RPM | W | RPM | W | RPM | W | RPM | W | RPM |
| 900 [425] | — | — | — | 665 | 290 | 730 | 300 | 780 | 315 | 830 | 330 | 875 | 360 | 920 | 375 | 960 | 390 | 990 | 410 | 1040 | 445 | 1080 | 470 | 1140 | 510 | 1190 | 540 | 1235 | 590 | 1285 | 660 | |
| 1000 [472] | — | — | 625 | 275 | 680 | 295 | 750 | 310 | 805 | 325 | 850 | 345 | 895 | 375 | 935 | 390 | 970 | 410 | 1015 | 435 | 1065 | 465 | 1100 | 500 | 1160 | 530 | 1210 | 560 | 1255 | 610 | | |
| 1100 [519] | — | — | 640 | 300 | 710 | 315 | 780 | 325 | 830 | 340 | 875 | 365 | 915 | 390 | 955 | 405 | 990 | 430 | 1040 | 450 | 1080 | 485 | 1115 | 540 | 1180 | 540 | 1230 | 600 | 1270 | 630 | | |
| 1200 [566] | — | — | 670 | 315 | 735 | 330 | 800 | 345 | 850 | 365 | 890 | 385 | 935 | 410 | 975 | 430 | 1010 | 450 | 1060 | 475 | 1100 | 520 | 1145 | 560 | 1200 | 600 | 1250 | 630 | 1285 | 660 | | |
| 1300 [614] | 625 | 315 | 700 | 330 | 770 | 350 | 830 | 370 | 875 | 400 | 915 | 415 | 955 | 440 | 990 | 440 | 1040 | 495 | 1085 | 530 | 1125 | 565 | 1165 | 590 | 1220 | 645 | 1260 | 675 | 1305 | 710 | | |
| 1400 [661] | 655 | 340 | 730 | 365 | 795 | 385 | 850 | 400 | 890 | 430 | 935 | 445 | 975 | 470 | 1010 | 500 | 1070 | 540 | 1110 | 575 | 1150 | 615 | 1195 | 645 | 1230 | 685 | 1280 | 725 | 1325 | 760 | | |
| 1500 [708] | 685 | 380 | 755 | 390 | 825 | 415 | 870 | 435 | 915 | 450 | 955 | 480 | 990 | 505 | 1040 | 545 | 1090 | 590 | 1135 | 630 | 1180 | 660 | 1220 | 720 | 1255 | 740 | 1295 | 785 | 1350 | 820 | | |
| 1600 [755] | 730 | 420 | 790 | 435 | 850 | 455 | 890 | 490 | 935 | 505 | 970 | 525 | 1005 | 550 | 1075 | 605 | 1110 | 640 | 1160 | 680 | 1200 | 730 | 1245 | 780 | 1280 | 800 | 1325 | 840 | 1365 | 885 | | |
| 1700 [802] | 755 | 465 | 825 | 475 | 875 | 505 | 915 | 535 | 955 | 550 | 985 | 570 | 1040 | 630 | 1100 | 665 | 1135 | 710 | 1185 | 750 | 1225 | 800 | 1265 | 830 | 1295 | 875 | 1350 | 910 | — | — | | |
| 1800 [850] | 790 | 500 | 850 | 530 | 890 | 550 | 935 | 570 | 975 | 600 | 1020 | 650 | 1080 | 690 | 1125 | 740 | 1165 | 770 | 1210 | 830 | 1245 | 870 | 1290 | 910 | 1310 | 930 | — | — | — | — | | |

NOTE: Bold lines separate L, M and N drives respectively.

| Drive Package | L | | M | | N (Field-Supplied) | |
|---------------|-----------------------------------|----------------------------|-----------------------------------|----------------------|-----------------------------------|-----------|
| | Motor H.P. [w] | 1/2 [373] | 3/4 [559] - 575(V) | 3/4 [559] | | 3/4 [559] |
| Blower Sheave | 6.9 Pitch Diameter | | 6.4 Pitch Diameter | | 6.4 Pitch Diameter | |
| Motor Sheave | Adjustable 2.4-3.4 Pitch Diameter | | Adjustable 3.4-4.4 Pitch Diameter | | Adjustable 4.0-5.0 Pitch Diameter | |
| Turns Open | 0 | 1 2 3 4 5 6 | 0 | 1 2 3 4 5 6 | | |
| RPM | 935 875 | 830 780 730 680 625 | 1295 1230 1185 1135 | 1085 1000 955 | RPM Range 1090-1365 | |

Factory sheave settings are shown in bold print.

BELT-DRIVE AIRFLOW PERFORMANCE

| Models Voltage | | External Static Pressure—Inches of Water [kPa] | | | | | | | | | | | | | | | | | | | | | | | | | | | | | | |
|-----------------------|-----|------------------------------------------------|-----|-----------|-----|-----------|------|-----------|------|-----------|------|-----------|------|-----------|------|-----------|------|-----------|------|-----------|------|-----------|------|-----------|------|-----------|------|-----------|------|-----------|-----|-----|
| | | 0.1 [.02] | | 0.2 [.05] | | 0.3 [.07] | | 0.4 [.10] | | 0.5 [.12] | | 0.6 [.15] | | 0.7 [.17] | | 0.8 [.20] | | 0.9 [.22] | | 1.0 [.25] | | 1.1 [.27] | | 1.2 [.30] | | 1.3 [.32] | | 1.4 [.35] | | 1.5 [.37] | | |
| Air Flow CFM [L/s] | W | RPM | W | RPM | W | RPM | W | RPM | W | RPM | W | RPM | W | RPM | W | RPM | W | RPM | W | RPM | W | RPM | W | RPM | W | RPM | W | RPM | W | RPM | W | RPM |
| 1200 [566] | — | — | — | 745 | 340 | 770 | 365 | 835 | 395 | 880 | 415 | 920 | 435 | 975 | 455 | 1010 | 470 | 1060 | 490 | 1100 | 530 | 1140 | 570 | 1190 | 600 | 1235 | 640 | 1270 | 685 | 1315 | 740 | |
| 1300 [614] | — | — | 725 | 350 | 795 | 395 | 865 | 420 | 895 | 435 | 945 | 455 | 995 | 470 | 1030 | 500 | 1070 | 520 | 1115 | 560 | 1160 | 600 | 1205 | 640 | 1250 | 685 | 1290 | 745 | 1335 | 810 | | |
| 1400 [661] | — | — | 750 | 390 | 820 | 425 | 875 | 450 | 920 | 465 | 970 | 480 | 1010 | 500 | 1055 | 560 | 1100 | 580 | 1140 | 630 | 1180 | 660 | 1230 | 700 | 1270 | 760 | 1315 | 815 | 1350 | 865 | | |
| 1500 [708] | 690 | 360 | 750 | 390 | 820 | 425 | 875 | 450 | 920 | 465 | 970 | 480 | 1010 | 500 | 1055 | 560 | 1100 | 580 | 1140 | 630 | 1180 | 660 | 1230 | 700 | 1270 | 760 | 1315 | 815 | 1350 | 865 | | |
| 1600 [755] | 720 | 390 | 780 | 430 | 850 | 460 | 895 | 480 | 945 | 500 | 990 | 530 | 1035 | 565 | 1075 | 590 | 1115 | 635 | 1160 | 680 | 1205 | 725 | 1250 | 770 | 1290 | 830 | 1335 | 890 | 1365 | 935 | | |
| 1700 [802] | 750 | 430 | 810 | 465 | 870 | 485 | 920 | 500 | 970 | 530 | 1015 | 570 | 1055 | 600 | 1090 | 645 | 1140 | 695 | 1180 | 735 | 1225 | 790 | 1270 | 845 | 1315 | 910 | 1350 | 960 | — | — | | |
| 1800 [850] | 780 | 475 | 840 | 515 | 895 | 540 | 945 | 555 | 990 | 600 | 1035 | 625 | 1080 | 660 | 1115 | 710 | 1155 | 740 | 1205 | 800 | 1250 | 860 | 1295 | 930 | 1340 | 995 | 1030 | — | — | — | | |
| 1900 [897] | 820 | 520 | 870 | 560 | 925 | 580 | 970 | 600 | 1015 | 640 | 1060 | 690 | 1115 | 750 | 1145 | 790 | 1185 | 835 | 1225 | 880 | 1275 | 900 | 1315 | 1010 | 1355 | 1060 | — | — | — | — | | |
| 2000 [944] | 850 | 585 | 900 | 610 | 950 | 630 | 1000 | 665 | 1045 | 715 | 1090 | 760 | 1130 | 810 | 1170 | 865 | 1205 | 900 | 1255 | 965 | 1300 | 1050 | 1340 | 1100 | 1365 | 1140 | — | — | — | — | | |

NOTE: Bold lines separate L, M and N drives respectively.

| Drive Package | L | | M | | N (Field-Supplied) | |
|---------------|-----------------------------------|----------------------------|-----------------------------------|----------------------|-----------------------------------|-----------|
| | Motor H.P. [w] | 1/2 [373] | 3/4 [559] - 575(V) | 3/4 [559] | | 3/4 [559] |
| Blower Sheave | 6.9 Pitch Diameter | | 6.4 Pitch Diameter | | 6.4 Pitch Diameter | |
| Motor Sheave | Adjustable 2.4-3.4 Pitch Diameter | | Adjustable 3.4-4.4 Pitch Diameter | | Adjustable 4.0-5.0 Pitch Diameter | |
| Turns Open | 0 | 1 2 3 4 5 6 | 0 | 1 2 3 4 5 6 | | |
| RPM | 935 875 | 830 780 730 680 625 | 1295 1230 1185 1135 | 1085 1000 955 | RPM Range 1090-1365 | |

Factory sheave settings are shown in bold print.

Note: See component air resistance table in this manual.

[] Designates Metric Conversions

BELT-DRIVE AIRFLOW PERFORMANCE

Model RJPL-C060 [17.58 kW]—Heat Pump (13 SEER)
Voltage 208/230-460—3 Phase

| Air Flow CFM [L/s] | External Static Pressure—Inches of Water [kPa] | | | | | | | | | | | | | | | | | | | | | | | | | | | | | | | |
|--------------------|------------------------------------------------|-----|-----------|-----|-----------|-----|-----------|------|-----------|------|-----------|------|-----------|------|-----------|------|-----------|------|-----------|------|-----------|------|-----------|------|-----------|------|-----------|------|-----------|------|------|------|
| | 0.1 [.02] | | 0.2 [.05] | | 0.3 [.07] | | 0.4 [.10] | | 0.5 [.12] | | 0.6 [.15] | | 0.7 [.17] | | 0.8 [.20] | | 0.9 [.22] | | 1.0 [.25] | | 1.1 [.27] | | 1.2 [.30] | | 1.3 [.32] | | 1.4 [.35] | | 1.5 [.37] | | | |
| | RPM | W | RPM | W | RPM | W | RPM | W | RPM | W | RPM | W | RPM | W | RPM | W | RPM | W | RPM | W | RPM | W | RPM | W | RPM | W | RPM | W | RPM | W | | |
| 1400 [661] | — | — | — | — | 780 | 370 | 815 | 385 | 840 | 415 | 885 | 440 | 945 | 500 | 995 | 540 | 1045 | 595 | 1080 | 615 | 1135 | 650 | 1165 | 675 | 1215 | 700 | 1255 | 735 | 1320 | 775 | 1355 | 805 |
| 1500 [708] | — | — | — | — | 780 | 390 | 805 | 425 | 870 | 470 | 915 | 510 | 965 | 560 | 1015 | 600 | 1060 | 640 | 1105 | 680 | 1145 | 705 | 1180 | 730 | 1225 | 750 | 1275 | 790 | 1340 | 840 | 1365 | 880 |
| 1600 [755] | — | — | — | — | 795 | 450 | 840 | 490 | 895 | 530 | 940 | 570 | 990 | 605 | 1035 | 640 | 1075 | 680 | 1120 | 725 | 1160 | 755 | 1200 | 790 | 1245 | 815 | 1300 | 855 | 1355 | 905 | 1375 | 940 |
| 1700 [802] | — | — | — | — | 815 | 470 | 870 | 540 | 915 | 540 | 965 | 575 | 1010 | 660 | 1055 | 710 | 1100 | 760 | 1140 | 785 | 1175 | 810 | 1225 | 850 | 1260 | 880 | 1320 | 930 | 1365 | 985 | 1390 | 1020 |
| 1800 [850] | 780 | 455 | 815 | 470 | 870 | 540 | 915 | 540 | 965 | 575 | 1010 | 660 | 1055 | 710 | 1100 | 760 | 1140 | 785 | 1175 | 810 | 1225 | 850 | 1260 | 880 | 1320 | 930 | 1365 | 985 | 1390 | 1020 | — | — |
| 1900 [897] | 800 | 485 | 880 | 605 | 930 | 665 | 970 | 700 | 1015 | 730 | 1055 | 790 | 1105 | 830 | 1145 | 875 | 1180 | 910 | 1225 | 950 | 1260 | 980 | 1320 | 1035 | 1100 | 1335 | 1000 | 1375 | 1050 | 1405 | 1100 | — |
| 2000 [944] | 830 | 550 | 880 | 605 | 930 | 665 | 970 | 700 | 1015 | 730 | 1055 | 790 | 1105 | 830 | 1145 | 875 | 1180 | 910 | 1225 | 950 | 1260 | 980 | 1320 | 1035 | 1100 | 1335 | 1000 | 1375 | 1050 | 1405 | 1100 | — |
| 2100 [991] | 860 | 615 | 915 | 655 | 955 | 705 | 1005 | 760 | 1040 | 820 | 1090 | 870 | 1120 | 940 | 1155 | 980 | 1195 | 1020 | 1240 | 1055 | 1275 | 1100 | 1320 | 1140 | 1360 | 1180 | 1385 | 1225 | — | — | — | — |
| 2200 [1038] | 895 | 680 | 945 | 735 | 995 | 780 | 1030 | 830 | 1060 | 880 | 1120 | 940 | 1155 | 980 | 1195 | 1020 | 1240 | 1055 | 1275 | 1100 | 1320 | 1140 | 1360 | 1180 | 1385 | 1225 | — | — | — | — | — | — |
| 2300 [1085] | 940 | 755 | 975 | 795 | 1015 | 830 | 1065 | 910 | 1100 | 965 | 1150 | 1025 | 1180 | 1050 | 1225 | 1095 | 1265 | 1125 | 1310 | 1175 | 1350 | 1230 | 1375 | 1260 | 1405 | 1320 | — | — | — | — | — | — |
| 2400 [1133] | 970 | 825 | 1015 | 880 | 1040 | 925 | 1100 | 1005 | 1145 | 1055 | 1175 | 1085 | 1225 | 1140 | 1260 | 1175 | 1300 | 1210 | 1340 | 1255 | 1370 | 1315 | 1400 | 1375 | — | — | — | — | — | — | — | — |

NOTE: L-Drive left of bold line, M-Drive right of bold line.

| Drive Package | L | | | | | | M | | | | | | | |
|----------------|-----------------------------------|------|------------|-----|-----|-----|-----|------|------|------|-------------|------|------|------|
| | 0 | 1 | 2 | 3 | 4 | 6 | 0 | 1 | 2 | 3 | 4 | 5 | 6 | |
| Motor H.P. [w] | 3/4 [559] | | | | | | | | | | | | | |
| Blower Sheave | 6.4 Pitch Diameter | | | | | | | | | | | | | |
| Motor Sheave | Adjustable 2.8-3.8 Pitch Diameter | | | | | | | | | | | | | |
| Turns Open | Adjustable 3.4-4.4 Pitch Diameter | | | | | | | | | | | | | |
| RPM | 1095 | 1040 | 995 | 940 | 890 | 835 | 780 | 1405 | 1360 | 1305 | 1250 | 1195 | 1145 | 1095 |

Factory sheave settings are shown in bold print.

COMPONENT AIR RESISTANCE

| Component | Standard Indoor Airflow—CFM [L/s] | | | | | | Resistance—Inches Water [kPa] | | | | | |
|-------------|-----------------------------------|------------|------------|------------|------------|------------|-------------------------------|-------------|-------------|-------------|-------------|--|
| | 1000 [472] | 1200 [566] | 1400 [661] | 1600 [755] | 1800 [850] | 2000 [944] | 2200 [1038] | 2400 [1133] | 2600 [1227] | 2800 [1321] | 3000 [1415] | |
| Wet Coil | .035 | .040 | .060 | .070 | .085 | .100 | .110 | .120 | .130 | .140 | .150 | |
| Downflow | .055 | .060 | .066 | .072 | .080 | .086 | .093 | .100 | .107 | .114 | .121 | |
| Economizer | .05 | .06 | .07 | .08 | .09 | .10 | .11 | .12 | .13 | .14 | .15 | |
| R.A. Damper | .05 | .06 | .07 | .08 | .09 | .10 | .11 | .12 | .13 | .14 | .15 | |

NOTES:

1. Performance shown with dry coil, standard 1" [25.4 mm] filters & side discharge. Add component resistance to determine total E.S.P.
2. Standard CFM @ .075 lbs./cu. ft.
3. Motor efficiency = 80%
4. BHP = $\frac{\text{Watts} \times \text{Motor Eff.}}{746}$

[] Designates Metric Conversions

| ELECTRICAL DATA – RJPL-C SERIES | | | | | | | | | |
|----------------------------------------|--------------------------------------------|---------------|---------------|---------------|---------------|---------------|---------------|---------------|---------------|
| | | C036CL | C036CM | C036DL | C036DM | C042CL | C042CM | C042DL | C042DM |
| Unit Information | Unit Operating Voltage Range | 187-253 | 187-253 | 414-506 | 414-506 | 187-253 | 187-253 | 414-506 | 414-506 |
| | Volts | 208/230 | 208/230 | 460 | 460 | 208/230 | 208/230 | 460 | 460 |
| | Minimum Circuit Ampacity | 18/18 | 18/18 | 10 | 10 | 22/22 | 22/22 | 10 | 11 |
| | Minimum Overcurrent Protection Device Size | 20/20 | 25/25 | 15 | 15 | 25/25 | 30/30 | 15 | 15 |
| | Maximum Overcurrent Protection Device Size | 25/25 | 25/25 | 15 | 15 | 30/30 | 35/35 | 15 | 15 |
| Compressor Motor | No. | 1 | 1 | 1 | 1 | 1 | 1 | 1 | 1 |
| | Volts | 208/230 | 208/230 | 460 | 460 | 208/230 | 208/230 | 460 | 460 |
| | Phase | 3 | 3 | 3 | 3 | 3 | 3 | 3 | 3 |
| | RPM | 3450 | 3450 | 3450 | 3450 | 3450 | 3450 | 3450 | 3450 |
| | HP, Compressor 1 | 2 1/2 | 2 1/2 | 2 1/2 | 2 1/2 | 3 | 3 | 3 | 3 |
| | Amps (RLA), Comp. 1 | 10.4/10.4 | 10.4/10.4 | 5.8 | 5.8 | 13.5/13.5 | 13.5/13.5 | 6 | 6 |
| | Amps (LRA), Comp. 1 | 88/88 | 88/88 | 38 | 38 | 88/88 | 88/88 | 44 | 44 |
| Condenser Motor | No. | 1 | 1 | 1 | 1 | 1 | 1 | 1 | 1 |
| | Volts | 208/230 | 208/230 | 460 | 460 | 208/230 | 208/230 | 460 | 460 |
| | Phase | 1 | 1 | 1 | 1 | 1 | 1 | 1 | 1 |
| | HP | 1/3 | 1/3 | 1/3 | 1/3 | 1/3 | 1/3 | 1/3 | 1/3 |
| | Amps (FLA, each) | 1.5/1.5 | 1.5/1.5 | 1 | 1 | 1.5/1.5 | 1.5/1.5 | 1 | 1 |
| | Amps (LRA, each) | 3/3 | 3/3 | 1.9 | 1.9 | 3/3 | 3/3 | 1.9 | 1.9 |
| Evaporator Fan | No. | 1 | 1 | 1 | 1 | 1 | 1 | 1 | 1 |
| | Volts | 208/230 | 208/230 | 460 | 460 | 208/230 | 208/230 | 460 | 460 |
| | Phase | 3 | 3 | 3 | 3 | 3 | 3 | 3 | 3 |
| | HP | 1/2 | 3/4 | 1/2 | 3/4 | 1/2 | 3/4 | 1/2 | 3/4 |
| | Amps (FLA) | 2.8/2.8 | 3.4/3.4 | 1.4 | 1.6 | 2.8/2.8 | 3.4/3.4 | 1.4 | 1.6 |
| | Amps (LRA) | 10.6/10.6 | 16.8/16.8 | 5.3 | 8.4 | 10.6/10.6 | 16.8/16.8 | 5.3 | 8.4 |

1. Horsepower Per Compressor.

2. Amp Draw Per Motor. Multiply Value By Number of Motors to Determine Total Amps.

ELECTRICAL DATA – RJPL-C SERIES

| | | C048CL | C048CM | C048DL | C048DM | C060CL | C060CM | C060DL | C060DM |
|-------------------------|--------------------------------------------|---------------|---------------|---------------|---------------|---------------|---------------|---------------|---------------|
| Unit Information | Unit Operating Voltage Range | 187-253 | 187-253 | 414-506 | 414-506 | 187-253 | 187-253 | 414-506 | 414-506 |
| | Volts | 208/230 | 208/230 | 460 | 460 | 208/230 | 208/230 | 460 | 460 |
| | Minimum Circuit Ampacity | 22/22 | 23/23 | 11 | 11 | 26/26 | 26/26 | 13 | 13 |
| | Minimum Overcurrent Protection Device Size | 25/25 | 30/30 | 15 | 15 | 30/30 | 30/30 | 15 | 15 |
| | Maximum Overcurrent Protection Device Size | 35/35 | 35/35 | 15 | 15 | 40/40 | 40/40 | 20 | 20 |
| Compressor Motor | No. | 1 | 1 | 1 | 1 | 1 | 1 | 1 | 1 |
| | Volts | 208/230 | 208/230 | 460 | 460 | 208/230 | 208/230 | 460 | 460 |
| | Phase | 3 | 3 | 3 | 3 | 3 | 3 | 3 | 3 |
| | RPM | 3450 | 3450 | 3450 | 3450 | 3450 | 3450 | 3450 | 3450 |
| | HP, Compressor 1 | 3 1/2 | 3 1/2 | 3 1/2 | 3 1/2 | 5 | 5 | 5 | 5 |
| | Amps (RLA), Comp. 1 | 13.7/13.7 | 13.7/13.7 | 6.2 | 6.2 | 16/16 | 16/16 | 7.8 | 7.8 |
| | Amps (LRA), Comp. 1 | 83.1/83.1 | 83.1/83.1 | 41 | 41 | 110/110 | 110/110 | 52 | 52 |
| Condenser Motor | No. | 1 | 1 | 1 | 1 | 1 | 1 | 1 | 1 |
| | Volts | 208/230 | 208/230 | 460 | 460 | 208/230 | 208/230 | 460 | 460 |
| | Phase | 1 | 1 | 1 | 1 | 1 | 1 | 1 | 1 |
| | HP | 1/3 | 1/3 | 1/3 | 1/3 | 1/3 | 1/3 | 1/3 | 1/3 |
| | Amps (FLA, each) | 1.5/1.5 | 1.5/1.5 | 1 | 1 | 2.2/2.2 | 2.2/2.2 | 1 | 1 |
| | Amps (LRA, each) | 3/3 | 3/3 | 1.9 | 1.9 | 4.7/4.7 | 4.7/4.7 | 2.4 | 2.4 |
| Evaporator Fan | No. | 1 | 1 | 1 | 1 | 1 | 1 | 1 | 1 |
| | Volts | 208/230 | 208/230 | 460 | 460 | 208/230 | 208/230 | 460 | 460 |
| | Phase | 3 | 3 | 3 | 3 | 3 | 3 | 3 | 3 |
| | HP | 1/2 | 3/4 | 1/2 | 3/4 | 3/4 | 1 | 3/4 | 1 |
| | Amps (FLA) | 2.8/2.8 | 3.4/3.4 | 1.4 | 1.6 | 3.4/3.4 | 3.8/3.8 | 1.6 | 1.9 |
| | Amps (LRA) | 10.6/10.6 | 16.8/16.8 | 5.3 | 8.4 | 16.8/16.8 | 24/24 | 8.4 | 12 |

1. Horsepower Per Compressor.

2. Amp Draw Per Motor. Multiply Value By Number of Motors to Determine Total Amps.

| 208/240 VOLT, THREE PHASE, 60 HZ, AUXILIARY ELECTRIC HEATER KITS CHARACTERISTICS AND APPLICATION | | | | | | | | | | | | | | | |
|--------------------------------------------------------------------------------------------------|----------------------------|-----------------------|-----------------------------|----------------------------|-------------------------|-------------------------------------|-------------------------------------------------------|------------------------------|-------------------------|---------------------------------|-------------------------------------------------------|-------------------|-----------------------------|-------------------------|-------------------------------------------------------|
| Separate Power Supply For Both Unit and Heater Kit | | | | | | | | | | | | | | | |
| Unit Model No. RJPL- | Heater Kit | | | | | Heat Pump | | | | | Heater Kit | | | Heat Pump | |
| | RXJJ-Heater Kit Nominal kW | No. of Sequence Steps | Rated Heater kW @ 208/240 V | Heater KBTU/Hr @ 208/240 V | Heater Amp. @ 208/240 V | Unit Min. Ckt. Ampacity @ 208/240 V | Over Current Protective Device Size Min./Max. @ 208 V | Min. Ckt. Ampacity 208/240 V | Max. Fuse Size 208/240V | Min. Circuit Ampacity 208/240 V | Over Current Protective Device Size Min./Max. @ 208 V | Min./Max. @ 240 V | Min. Ckt. Ampacity 208/240V | Max. Fuse Size 208/240V | Over Current Protective Device Size Min./Max. @ 240 V |
| C036CL | No Heat | — | — | — | — | 18/18 | 20/25 | — | — | 18/18 | 20/25 | — | — | 20/25 | |
| | A06C | 1 | 4.2/5.6 | 14.33/19.1 | 11.7/13.5 | 33/35 | 35/35 | 15/20 | — | — | — | 15/20 | — | — | |
| | A10C | 1 | 7.2/9.6 | 24.56/32.75 | 20/23.1 | 43/47 | 45/45 | 25/30 | 15/20 | — | — | 25/30 | — | — | |
| | A12C | 1 | 8.4/11.2 | 28.66/38.21 | 23.4/27 | 48/52 | 50/50 | 30/35 | 30/34 | — | — | 30/35 | — | — | |
| | A15C | 1 | 10.8/14.4 | 36.84/49.13 | 30.1/34.7 | 56/62 | 60/60 | 40/45 | 38/44 | — | — | 40/45 | — | — | |
| A20C | 1 | 14.4/19.2 | 49.13/65.5 | 40/46.3 | 68/76 | 70/70 | 50/60 | 50/60 | — | — | 50/60 | — | — | | |
| C042CL | No Heat | — | — | — | — | 22/22 | 25/30 | — | — | 22/22 | 25/30 | — | — | 25/30 | |
| | A06C | 1 | 4.2/5.6 | 14.33/19.1 | 11.7/13.5 | 37/39 | 40/45 | 15/20 | — | — | — | 15/20 | — | — | |
| | A10C | 1 | 7.2/9.6 | 24.56/32.75 | 20/23.1 | 47/51 | 50/50 | 25/30 | 25/29 | — | — | 25/30 | — | — | |
| | A12C | 1 | 8.4/11.2 | 28.66/38.21 | 23.4/27 | 52/56 | 60/60 | 30/35 | 30/34 | — | — | 30/35 | — | — | |
| | A15C | 1 | 10.8/14.4 | 36.84/49.13 | 30.1/34.7 | 60/66 | 70/70 | 40/45 | 38/44 | — | — | 40/45 | — | — | |
| A20C | 1 | 14.4/19.2 | 49.13/65.5 | 40/46.3 | 72/80 | 80/80 | 50/60 | 50/60 | — | — | 50/60 | — | — | | |
| C048CL | No Heat | — | — | — | — | 22/22 | 25/35 | — | — | 22/22 | 25/35 | — | — | 25/35 | |
| | A06C | 1 | 4.2/5.6 | 14.33/19.1 | 11.7/13.5 | 37/39 | 40/45 | 15/20 | — | — | — | 15/20 | — | — | |
| | A10C | 1 | 7.2/9.6 | 24.56/32.75 | 20/23.1 | 47/51 | 50/50 | 25/30 | 25/29 | — | — | 25/30 | — | — | |
| | A12C | 1 | 8.4/11.2 | 28.66/38.21 | 23.4/27 | 52/56 | 60/60 | 30/35 | 30/34 | — | — | 30/35 | — | — | |
| | A15C | 1 | 10.8/14.4 | 36.84/49.13 | 30.1/34.7 | 60/66 | 70/70 | 40/45 | 38/44 | — | — | 40/45 | — | — | |
| A20C | 1 | 14.4/19.2 | 49.13/65.5 | 40/46.3 | 72/80 | 80/80 | 50/60 | 50/58 | — | — | 50/60 | — | — | | |
| C060CL | No Heat | — | — | — | — | 26/26 | 30/40 | — | — | 26/26 | 30/40 | — | — | 30/40 | |
| | A06C | 1 | 4.2/5.6 | 14.33/19.1 | 11.7/13.5 | 41/43 | 45/50 | 15/20 | 15/17 | — | — | 15/20 | — | — | |
| | A10C | 1 | 7.2/9.6 | 24.56/32.75 | 20/23.1 | 51/55 | 60/60 | 25/30 | 25/29 | — | — | 25/30 | — | — | |
| | A12C | 1 | 8.4/11.2 | 28.66/38.21 | 23.4/27 | 56/60 | 70/70 | 30/35 | 30/34 | — | — | 30/35 | — | — | |
| | A15C | 1 | 10.8/14.4 | 36.84/49.13 | 30.1/34.7 | 64/70 | 80/80 | 40/45 | 38/44 | — | — | 40/45 | — | — | |
| A20C | 1 | 14.4/19.2 | 49.13/65.5 | 40/46.3 | 76/84 | 90/90 | 50/60 | 50/58 | — | — | 50/60 | — | — | | |



208/240 VOLT, THREE PHASE, 60 HZ, AUXILIARY ELECTRIC HEATER KITS CHARACTERISTICS AND APPLICATION

Single Power Supply For Both Unit and Heater Kit

Separate Power Supply For Both Unit and Heater Kit

| Unit Model No. RJPL- | Single Power Supply For Both Unit and Heater Kit | | | | | | | | | | Separate Power Supply For Both Unit and Heater Kit | | | | |
|----------------------|--------------------------------------------------|-----------------------|-----------------------------|----------------------------|-------------------------|-------------------------------------|-------------------------------------------------------|-------------------------------------------------------|------------------------------|-------------------------|----------------------------------------------------|-------------------|-------------------------------------------------------|-----------|--|
| | Heater Kit | | | | | Heat Pump | | | | | Heater Kit | | | Heat Pump | |
| | RXJJ-Heater Kit Nominal kW | No. of Sequence Steps | Rated Heater kW @ 208/240 V | Heater KBTU/Hr @ 208/240 V | Heater Amp. @ 208/240 V | Unit Min. Ckt. Ampacity @ 208/240 V | Over Current Protective Device Size Min./Max. @ 208 V | Over Current Protective Device Size Min./Max. @ 240 V | Min. Ckt. Ampacity 208/240 V | Max. Fuse Size 208/240V | Min. Circuit Ampacity 208/240 V | Min./Max. @ 208 V | Over Current Protective Device Size Min./Max. @ 240 V | | |
| C036CM | No Heat | — | — | — | — | 18/18 | 25/25 | 25/25 | — | 18/18 | 25/25 | 25/25 | | | |
| | A06C | 1 | 4.2/5.6 | 14.33/19.1 | 11.7/13.5 | 33/35 | 35/35 | 40/40 | 15/20 | — | — | — | | | |
| | A10C | 1 | 7.2/9.6 | 24.56/32.75 | 20/23.1 | 43/47 | 45/45 | 50/50 | 25/30 | — | — | — | | | |
| | A12C | 1 | 8.4/11.2 | 28.66/38.21 | 23.4/27 | 48/52 | 50/50 | 60/60 | 30/34 | — | — | — | | | |
| | A15C | 1 | 10.8/14.4 | 36.84/49.13 | 30.1/34.7 | 56/62 | 60/60 | 70/70 | 38/44 | — | — | — | | | |
| C042CM | No Heat | — | — | — | — | 22/22 | 30/35 | 30/35 | — | 22/22 | 30/35 | 30/35 | | | |
| | A06C | 1 | 4.2/5.6 | 14.33/19.1 | 11.7/13.5 | 37/39 | 40/45 | 40/45 | 15/20 | — | — | — | | | |
| | A10C | 1 | 7.2/9.6 | 24.56/32.75 | 20/23.1 | 47/51 | 50/50 | 60/60 | 25/29 | — | — | — | | | |
| | A12C | 1 | 8.4/11.2 | 28.66/38.21 | 23.4/27 | 52/56 | 60/60 | 60/60 | 30/34 | — | — | — | | | |
| | A15C | 1 | 10.8/14.4 | 36.84/49.13 | 30.1/34.7 | 60/66 | 70/70 | 70/70 | 38/44 | — | — | — | | | |
| C048CM | No Heat | — | — | — | — | 23/23 | 30/35 | 30/35 | — | 23/23 | 30/35 | 30/35 | | | |
| | A06C | 1 | 4.2/5.6 | 14.33/19.1 | 11.7/13.5 | 38/40 | 40/45 | 45/45 | 15/20 | — | — | — | | | |
| | A10C | 1 | 7.2/9.6 | 24.56/32.75 | 20/23.1 | 48/52 | 50/50 | 60/60 | 25/30 | — | — | — | | | |
| | A12C | 1 | 8.4/11.2 | 28.66/38.21 | 23.4/27 | 53/57 | 60/60 | 60/60 | 30/34 | — | — | — | | | |
| | A15C | 1 | 10.8/14.4 | 36.84/49.13 | 30.1/34.7 | 61/67 | 70/70 | 70/70 | 38/44 | — | — | — | | | |
| C060CM | No Heat | — | — | — | — | 26/26 | 30/40 | 30/40 | — | 26/26 | 30/40 | 30/40 | | | |
| | A06C | 1 | 4.2/5.6 | 14.33/19.1 | 11.7/13.5 | 41/43 | 45/50 | 45/50 | 15/20 | — | — | — | | | |
| | A10C | 1 | 7.2/9.6 | 24.56/32.75 | 20/23.1 | 51/55 | 60/60 | 60/60 | 25/30 | — | — | — | | | |
| | A12C | 1 | 8.4/11.2 | 28.66/38.21 | 23.4/27 | 56/60 | 60/60 | 70/70 | 30/35 | — | — | — | | | |
| | A15C | 1 | 10.8/14.4 | 36.84/49.13 | 30.1/34.7 | 64/70 | 70/70 | 80/80 | 40/45 | — | — | — | | | |
| C066CM | No Heat | — | — | — | — | 26/26 | 30/40 | 30/40 | — | 26/26 | 30/40 | 30/40 | | | |
| | A06C | 1 | 4.2/5.6 | 14.33/19.1 | 11.7/13.5 | 41/43 | 45/50 | 45/50 | 15/20 | — | — | — | | | |
| | A10C | 1 | 7.2/9.6 | 24.56/32.75 | 20/23.1 | 51/55 | 60/60 | 60/60 | 25/30 | — | — | — | | | |
| | A12C | 1 | 8.4/11.2 | 28.66/38.21 | 23.4/27 | 56/60 | 60/60 | 70/70 | 30/35 | — | — | — | | | |
| | A15C | 1 | 10.8/14.4 | 36.84/49.13 | 30.1/34.7 | 64/70 | 70/70 | 80/80 | 40/45 | — | — | — | | | |
| C072CM | No Heat | — | — | — | — | 26/26 | 30/40 | 30/40 | — | 26/26 | 30/40 | 30/40 | | | |
| | A06C | 1 | 4.2/5.6 | 14.33/19.1 | 11.7/13.5 | 41/43 | 45/50 | 45/50 | 15/20 | — | — | — | | | |
| | A10C | 1 | 7.2/9.6 | 24.56/32.75 | 20/23.1 | 51/55 | 60/60 | 60/60 | 25/30 | — | — | — | | | |
| | A12C | 1 | 8.4/11.2 | 28.66/38.21 | 23.4/27 | 56/60 | 60/60 | 70/70 | 30/35 | — | — | — | | | |
| | A15C | 1 | 10.8/14.4 | 36.84/49.13 | 30.1/34.7 | 64/70 | 70/70 | 80/80 | 40/45 | — | — | — | | | |



480 VOLT, THREE PHASE, 60 HZ, AUXILIARY ELECTRIC HEATER KITS CHARACTERISTICS AND APPLICATION

| Separate Power Supply For Both Unit and Heater Kit | | | | | | | | | | |
|----------------------------------------------------|----------------------------|-----------------------|-------------------------|------------------------|---------------------|---------------------------------|-------------------------------------------------------|-----------------------------|----------------------|-------------------------------------------------------|
| Unit Model No. RJPL- | Heater Kit | | | | | Heat Pump | | | | |
| | RXJJ-Heater Kit Nominal kW | No. of Sequence Steps | Rated Heater kW @ 480 V | Heater KBTU/Hr @ 480 V | Heater Amp. @ 480 V | Unit Min. Ckt. Ampacity @ 480 V | Over Current Protective Device Size Min./Max. @ 480 V | Min. Circuit Ampacity 480 V | Max. Fuse Size 480 V | Over Current Protective Device Size Min./Max. @ 480 V |
| C036DL | No Heat | — | — | — | — | 10 | 15/15 | — | — | 15/15 |
| | A06D | 1 | 5.6 | 19.1 | 6.8 | 19 | 20/20 | 9 | 15 | — |
| | A10D | 1 | 9.6 | 32.75 | 11.6 | 25 | 25/25 | 15 | 15 | — |
| | A12D | 1 | 11.2 | 38.21 | 13.5 | 27 | 30/30 | 17 | 20 | — |
| | A15D | 1 | 14.4 | 49.13 | 17.4 | 32 | 35/35 | 22 | 25 | — |
| | A20D | 1 | 19.2 | 65.5 | 23.3 | 40 | 40/40 | 30 | 30 | — |
| C042DL | No Heat | — | — | — | — | 10 | 15/15 | — | — | 15/15 |
| | A06D | 1 | 5.6 | 19.1 | 6.8 | 19 | 20/20 | 9 | 15 | — |
| | A10D | 1 | 9.6 | 32.75 | 11.6 | 25 | 25/25 | 15 | 15 | — |
| | A12D | 1 | 11.2 | 38.21 | 13.5 | 27 | 30/30 | 17 | 20 | — |
| | A15D | 1 | 14.4 | 49.13 | 17.4 | 32 | 35/35 | 22 | 25 | — |
| | A20D | 1 | 19.2 | 65.5 | 23.3 | 40 | 40/40 | 30 | 30 | — |
| C048DL | No Heat | — | — | — | — | 11 | 15/15 | — | — | 15/15 |
| | A06D | 1 | 5.6 | 19.1 | 6.8 | 20 | 20/20 | 9 | 15 | — |
| | A10D | 1 | 9.6 | 32.75 | 11.6 | 26 | 30/30 | 15 | 15 | — |
| | A12D | 1 | 11.2 | 38.21 | 13.5 | 28 | 30/30 | 17 | 20 | — |
| | A15D | 1 | 14.4 | 49.13 | 17.4 | 33 | 35/35 | 22 | 25 | — |
| | A20D | 1 | 19.2 | 65.5 | 23.3 | 41 | 40/40 | 30 | 30 | — |
| C060DL | No Heat | — | — | — | — | 13 | 15/20 | — | — | 15/20 |
| | A06D | 1 | 5.6 | 19.1 | 6.8 | 22 | 25/25 | 9 | 15 | — |
| | A10D | 1 | 9.6 | 32.75 | 11.6 | 28 | 30/30 | 15 | 15 | — |
| | A12D | 1 | 11.2 | 38.21 | 13.5 | 30 | 30/30 | 17 | 20 | — |
| | A15D | 1 | 14.4 | 49.13 | 17.4 | 35 | 35/35 | 22 | 25 | — |
| | A20D | 1 | 19.2 | 65.5 | 23.3 | 43 | 45/45 | 30 | 30 | — |



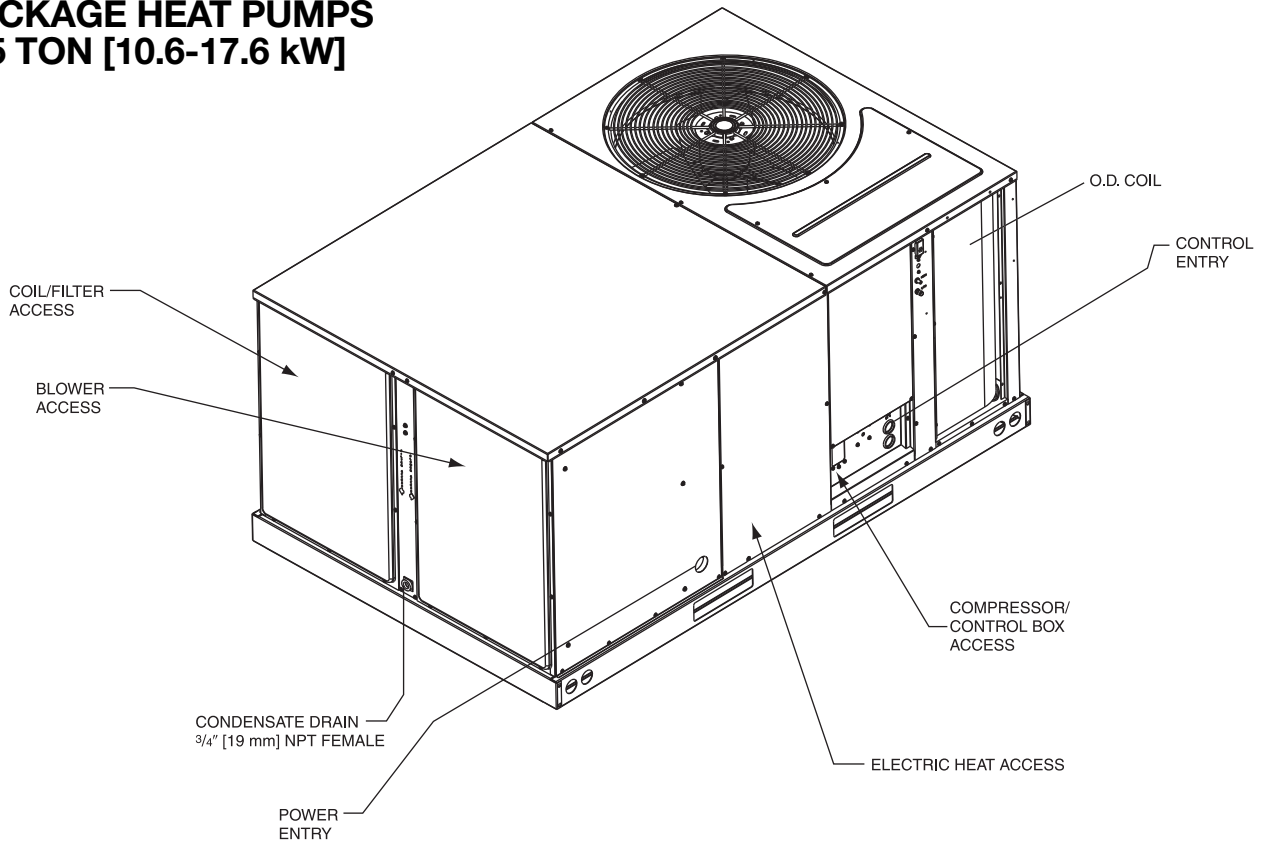
| 480 VOLT, THREE PHASE, 60 HZ, AUXILIARY ELECTRIC HEATER KITS CHARACTERISTICS AND APPLICATION | | | | | | | | | | | | | | |
|----------------------------------------------------------------------------------------------|--------------------------------------------------|-------------------------|------------------------|---------------------|---------------------------------|-------------------------------------------------------|----------------------------------------------------|----------------------|-----------------------------|-------------------------------------------------------|--------------------------|----------------------|-----------------------------|-------------------------------------------------------|
| Separate Power Supply For Both Unit and Heater Kit | | | | | | | | | | | | | | |
| Unit Model No. RJPL- | Single Power Supply For Both Unit and Heater Kit | | | | | | Separate Power Supply For Both Unit and Heater Kit | | | | | | | |
| | Heater Kit | | | Heat Pump | | | Heater Kit | | | Heat Pump | | | | |
| RXJJ-Heater Kit Nominal kW | No. of Sequence Steps | Rated Heater kW @ 480 V | Heater KBTU/Hr @ 480 V | Heater Amp. @ 480 V | Unit Min. Ckt. Ampacity @ 480 V | Over Current Protective Device Size Min./Max. @ 480 V | Min. Ckt. Ampacity 480 V | Max. Fuse Size 480 V | Min. Circuit Ampacity 480 V | Over Current Protective Device Size Min./Max. @ 480 V | Min. Ckt. Ampacity 480 V | Max. Fuse Size 480 V | Min. Circuit Ampacity 480 V | Over Current Protective Device Size Min./Max. @ 480 V |
| C036DM | No Heat | — | — | — | 10 | 15/15 | — | — | 10 | 15/15 | — | — | — | — |
| | A06D | 5.6 | 19.1 | 6.8 | 19 | 20/20 | — | 15 | — | 20/20 | 9 | 15 | — | — |
| | A10D | 9.6 | 32.75 | 11.6 | 25 | 25/25 | — | 15 | — | 25/25 | 15 | 15 | — | — |
| | A12D | 11.2 | 38.21 | 13.5 | 27 | 30/30 | — | 17 | — | 30/30 | 17 | 20 | — | — |
| | A15D | 14.4 | 49.13 | 17.4 | 32 | 35/35 | — | 22 | — | 35/35 | 22 | 25 | — | — |
| A20D | 19.2 | 65.5 | 23.3 | 40 | 40/40 | — | 30 | — | 40/40 | 30 | 30 | — | — | |
| C042DM | No Heat | — | — | — | 11 | 15/15 | — | — | 11 | 15/15 | — | — | — | — |
| | A06D | 5.6 | 19.1 | 6.8 | 20 | 20/20 | — | 15 | — | 20/20 | 9 | 15 | — | — |
| | A10D | 9.6 | 32.75 | 11.6 | 26 | 30/30 | — | 15 | — | 30/30 | 15 | 15 | — | — |
| | A12D | 11.2 | 38.21 | 13.5 | 28 | 30/30 | — | 17 | — | 30/30 | 17 | 20 | — | — |
| | A15D | 14.4 | 49.13 | 17.4 | 33 | 35/35 | — | 22 | — | 35/35 | 22 | 25 | — | — |
| A20D | 19.2 | 65.5 | 23.3 | 41 | 40/40 | — | 30 | — | 40/40 | 30 | 30 | — | — | |
| C048DM | No Heat | — | — | — | 11 | 15/15 | — | — | 11 | 15/15 | — | — | — | — |
| | A06D | 5.6 | 19.1 | 6.8 | 20 | 20/20 | — | 15 | — | 20/20 | 9 | 15 | — | — |
| | A10D | 9.6 | 32.75 | 11.6 | 26 | 30/30 | — | 15 | — | 30/30 | 15 | 15 | — | — |
| | A12D | 11.2 | 38.21 | 13.5 | 28 | 30/30 | — | 17 | — | 30/30 | 17 | 20 | — | — |
| | A15D | 14.4 | 49.13 | 17.4 | 33 | 35/35 | — | 22 | — | 35/35 | 22 | 25 | — | — |
| A20D | 19.2 | 65.5 | 23.3 | 41 | 45/45 | — | 30 | — | 45/45 | 30 | 30 | — | — | |
| C060DM | No Heat | — | — | — | 13 | 15/20 | — | — | 13 | 15/20 | — | — | — | — |
| | A06D | 5.6 | 19.1 | 6.8 | 22 | 25/25 | — | 15 | — | 25/25 | 9 | 15 | — | — |
| | A10D | 9.6 | 32.75 | 11.6 | 28 | 30/30 | — | 15 | — | 30/30 | 15 | 15 | — | — |
| | A12D | 11.2 | 38.21 | 13.5 | 30 | 35/35 | — | 17 | — | 35/35 | 17 | 20 | — | — |
| | A15D | 14.4 | 49.13 | 17.4 | 35 | 40/40 | — | 22 | — | 40/40 | 22 | 25 | — | — |
| A20D | 19.2 | 65.5 | 23.3 | 43 | 45/45 | — | 30 | — | 45/45 | 30 | 30 | — | — | |



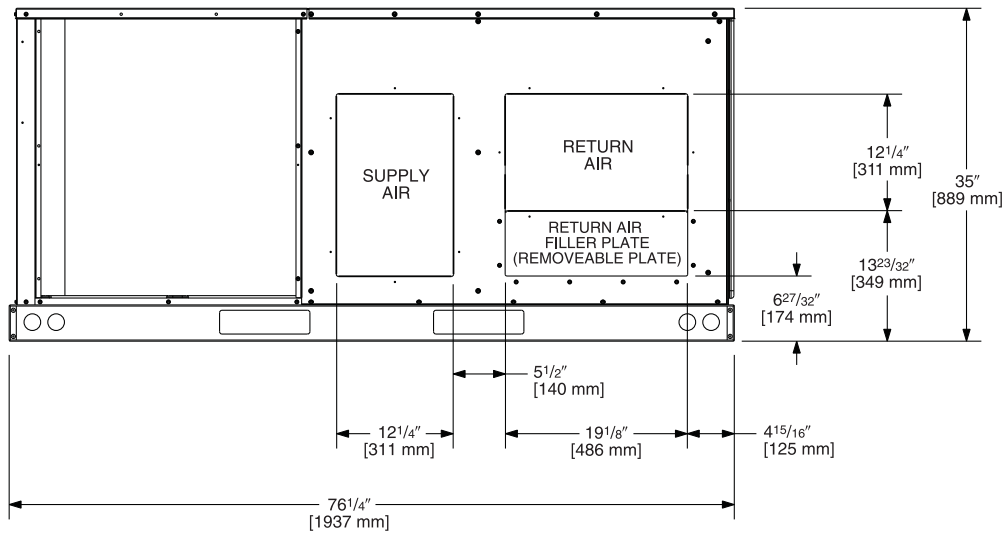
UNIT DIMENSIONS

PACKAGE HEAT PUMPS

3-5 TON [10.6-17.6 kW]



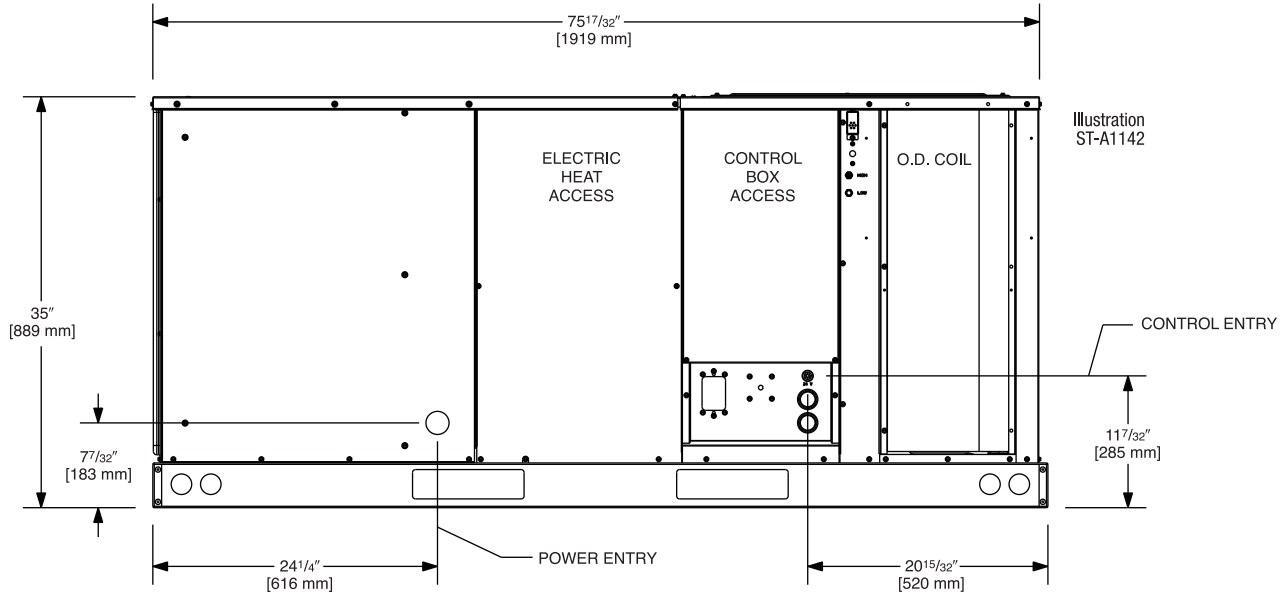
BACK VIEW



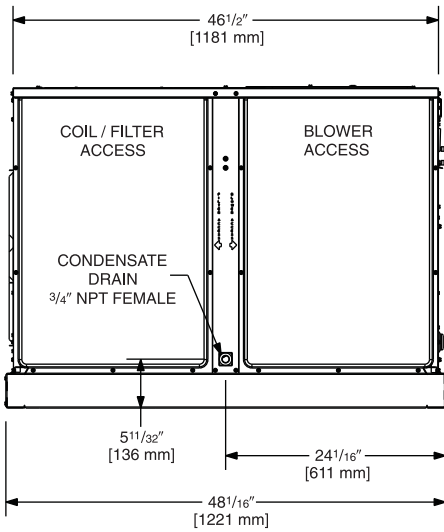
[] Designates Metric Conversions

UNIT DIMENSIONS PACKAGE HEAT PUMPS 3-5 TON [10.6-17.6 kW]

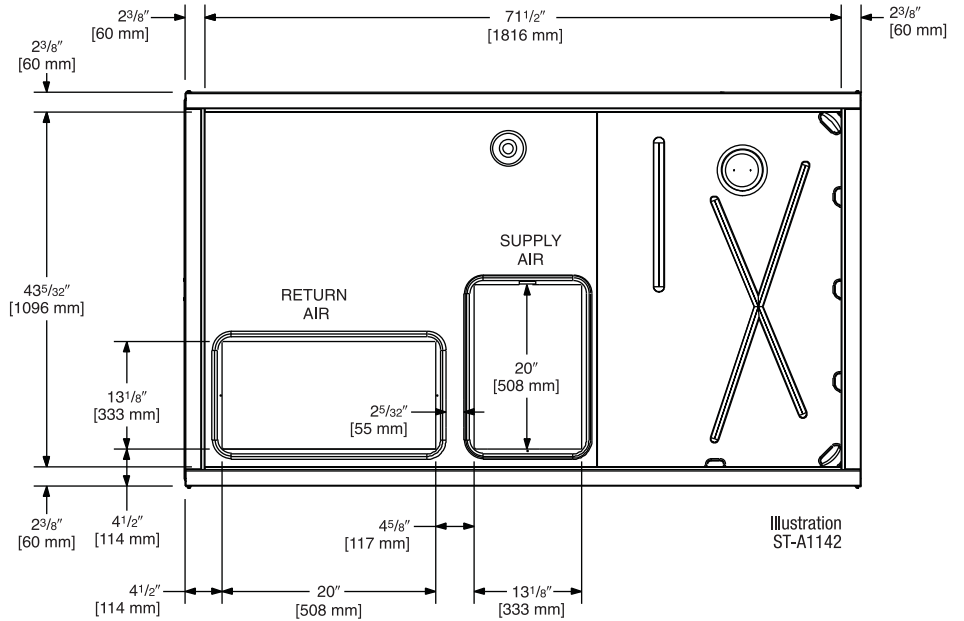
FRONT VIEW



SIDE VIEW



BOTTOM VIEW



[] Designates Metric Conversions

WEIGHTS

| Accessory | 3-5 Ton [10.6-17.6 kW] | |
|----------------------------------------------------|------------------------|-----------|
| | Shipping | Operating |
| | lbs [kg] | lbs [kg] |
| Economizer with Single Enthalpy | 71 [32] | 70 [32] |
| Economizer with Single Enthalpy and Smoke Detector | 74 [34] | 73 [33] |
| Power Exhaust | 19 [9] | 16 [7] |
| Fresh Air Damper (Manual) | 11 [5] | 9 [4] |
| Fresh Air Damper (Motorized) | 13 [6] | 11 [5] |
| Roof Curb 14" | 92 [42] | 88 [40] |
| Roof Curb 24" | 108 [49] | 104 [47] |
| Concentric Diffuser 18" Flush | 37 [17] | 26 [12] |
| Concentric Diffuser 20" Flush | 54 [24] | 42 [19] |
| Side Discharge Concentric Diffuser RXRN-FA60 | 35 [16] | 20 [9] |
| Side Discharge Concentric Diffuser RXRN-FA65 | 55 [25] | 40 [18] |

CLEARANCES

(3 to 5 Ton [10.6 to 17.6 kW] Models)

The following minimum clearances are recommended for proper unit performance and serviceability.

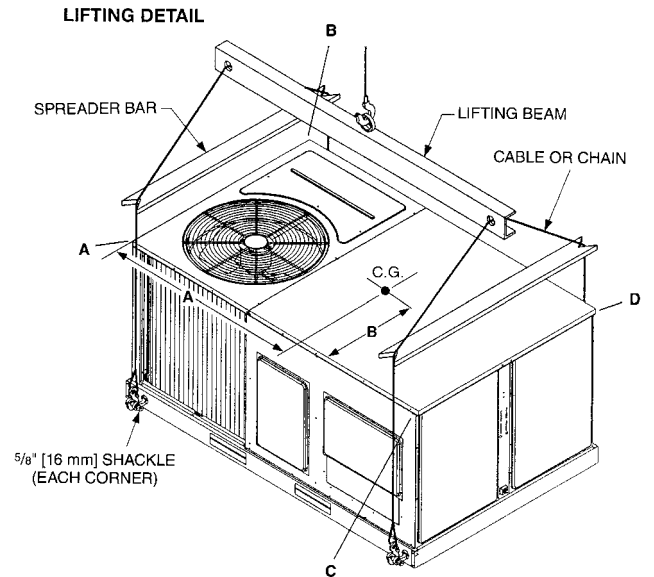
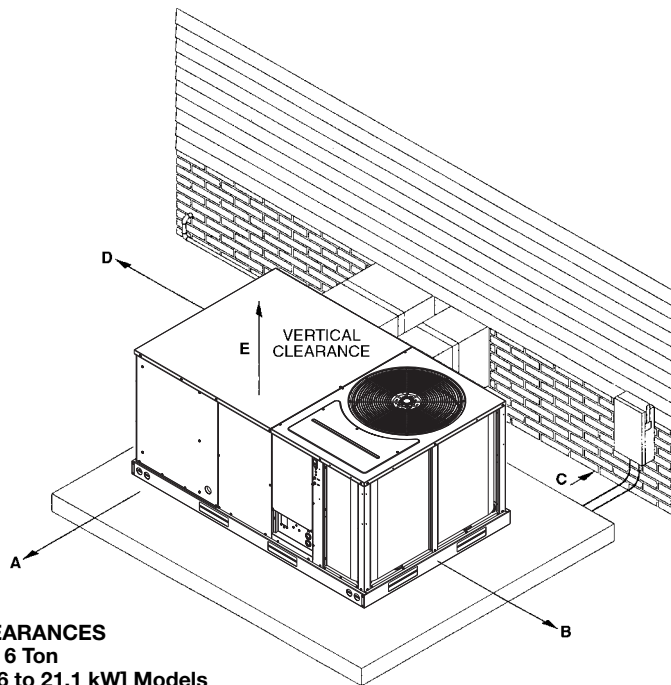
| Recommended Clearance in. [mm] | Location |
|--------------------------------|--------------------|
| 48 [1219] | A - Front |
| 18 [457] | B - Condenser Coil |
| *12 [305] | C - Duct Side |
| 36 [914] | D - Evaporator End |
| 60 [1524] | E - Above |
| *57" [1448 mm] With Economizer | |

NOTE: Supply duct may be installed with "0" inch clearance to combustible materials, provided 1" [25.4 mm] minimum. Fiberglass insulation is applied either inside or on the outside of the duct.

CENTER OF GRAVITY (C.G.)

| Capacity Tons [kW] | A in. [mm] | B in. [mm] |
|--------------------|--------------------------------------|--------------------------------------|
| 3-5 [10.6-17.6] | 38 ¹ / ₄ [972] | 25 ³ / ₄ [654] |

| Capacity Tons [kW] | Corner Weights by Percentage | | | |
|--------------------|------------------------------|-----|-----|-----|
| | A | B | C | D |
| 3-5 [10.6-17.6] | 22% | 27% | 23% | 28% |



[] Designates Metric Conversions

ACCESSORY EQUIPMENT

| Description | Model Number | Factory Installed |
|-------------------------------------------------------------------|---------------------------------------|-------------------|
| | 3-5 Ton [10.6-17.6 kW] (RJNL/RJPL) | |
| Electric Heater Kits | RXJJ-A06* (C,D) | Yes |
| | RXJJ-A10* (C,D) | |
| | RXJJ-A12* (C,D) | |
| | RXJJ-A15* (C,D) | |
| | RXJJ-A20* (C,D) | |
| | RXJJ-A24* (C,D) | |
| Roofcurb 14" | RXKG-CAD14 | No |
| Roofcurb 24" | RXKG-CAD24 | No |
| Roofcurb Adapters | RRRX-BBCDB21 | No |
| | RRRX-BBCDB22 | |
| | RRRX-BBCDB23 | |
| Economizer with Single Enthalpy | AXRD-01RKCCM3 | Yes |
| Economizer with Single Enthalpy and Smoke Detector | AXRD-01RKCDM3 | Yes |
| Dual Enthalpy Kit | RRRX-AV03 | No |
| CO ₂ Sensor | RRRX-AR02 | No |
| Power Exhaust | AXRX-BGF04* (C or D) | No |
| Fresh Air Damper Manual | AXRF-FBA1 | No |
| Fresh Air Damper Motorized | AXRF-FBB1 | No |
| Rectangular to Round 18" Duct Adaptors for Concentric Diffuser | RXMC-CB03 | No |
| Rectangular to Round 20" Duct Adaptors for Concentric Diffuser | RXMC-CB04 | No |
| Concentric Diffuser 18" Step (Side discharge) | RXRN-FA60 | No |
| Concentric Diffuser 20" Step (Side discharge) | RXRN-FA65 | No |
| Concentric Diffuser 18" Flush | Flush RXRN-FA70 | No |
| Concentric Diffuser 20" Flush | RXRN-FA75 | No |
| Rectangular to Round 16" Side | RXMC-BB01 | No |
| Louver Kit (3 Sides) | AXRX-AAD01B | Yes |
| Low Ambient Control to 0°F [-18°C] | RXRZ-A04 | Yes |
| Non-Powered Convenience Outlet | RRRX-AN02 | Yes |
| Comfort Alert (1 Per Compressor) | RRRX-AZ01 | Yes |
| BACnet Communication Card | RRRX-AY01 | No |
| Lonworks Communication Card | RRRX-AY02 | No |

*Voltage
 C = 208-230 VAC-3PH-60HZ
 D = 460 VAC-3PH-60HZ

NOTES: ① Economizer is designed for downflow or horizontal applications.

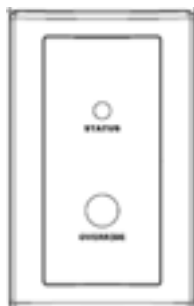
[] Designates Metric Conversions

FLUSH MOUNT ROOM TEMPERATURE SENSORS FOR NETWORKED DDC APPLICATIONS



ROOM TEMPERATURE SENSOR RHC-ZNS1 with TIMED OVERRIDE BUTTON

10kΩ room temperature sensor transmits room temperature to DDC system. Timed override button allows tenant to change from unoccupied temperature setpoint to occupied temperature setpoint for a preset time.



ROOM TEMPERATURE SENSOR RHC-ZNS2 with TIMED OVERRIDE BUTTON and STATUS INDICATOR

10kΩ room temperature sensor transmits room temperature to DDC system. Timed override button allows tenant to change from unoccupied temperature setpoint to occupied temperature setpoint for a preset time. Status Indicator Light transmits ALARM flash code to occupied space.



ROOM TEMPERATURE SENSOR RHC-ZNS3 with SETPOINT ADJUSTMENT and TIMED OVERRIDE BUTTON

10kΩ room temperature sensor with setpoint adjustment transmits room temperature to DDC system along with desired occupied room temperature setpoint. Timed override button allows tenant to change from unoccupied temperature setpoint to occupied temperature setpoint for a preset time.

COMMUNICATION CARDS Field Installed



BACnet® COMMUNICATION CARD RXRX-AY01

The field installed BACnet® Communication Card allows the RTU-C unit controller to communicate with a third party building management system that supports the BACnet Application Specific Controller device profile. The BACnet® Communication Module plugs onto the unit RTU-C controller and allows communication between the RTU-C and the BACnet MSTP network.



LonWorks® COMMUNICATION CARD RXRX-AY02

The field installed LonWorks® Communication Card allows the RTU-C unit controller to communicate with a third party building management system that supports the LonMark Space Comfort Controller (SCC) functional profile or LonMark Discharge Air Controller (DAC) functional profile. The LonMark Communication Module plugs onto the RTU-C controller and allows communication between the RTU-C and a LonWorks Network.

Roofcurb Adapters

Old Models

MEDIUM CABINET (3 TON [11 kW])

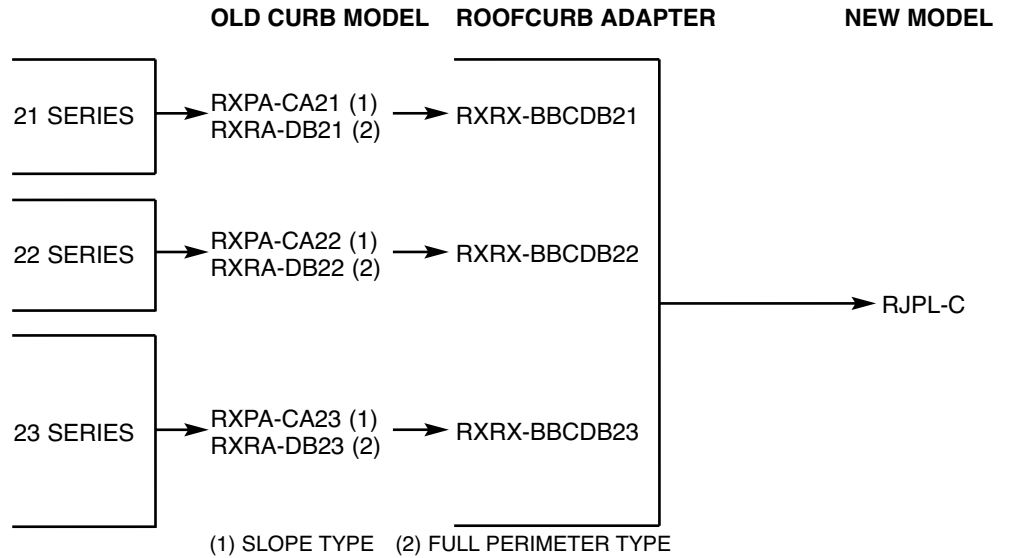
(-)SNC, (-)SND, (-)SNE
(-)RGE, (-)RGF, (-)RGG
(-)PNC, (-)PND

LARGE CABINET (3-3.5 TON [11-12 kW])

(-)RGE, (-)RGF, (-)RGG,
(-)RGH (3 TON [11 kW])

EXTRA LARGE CABINET (3.5-5 TON [12-18 kW])

(-)SNC, (-)SND, (-)SNE
(-)RGE, (-)RGF,
(-)RGG (4-5 TON [14-18 kW])
(-)PNC, (-)PND, (-)RGH
(3.5, 4 TON [12-14 kW])

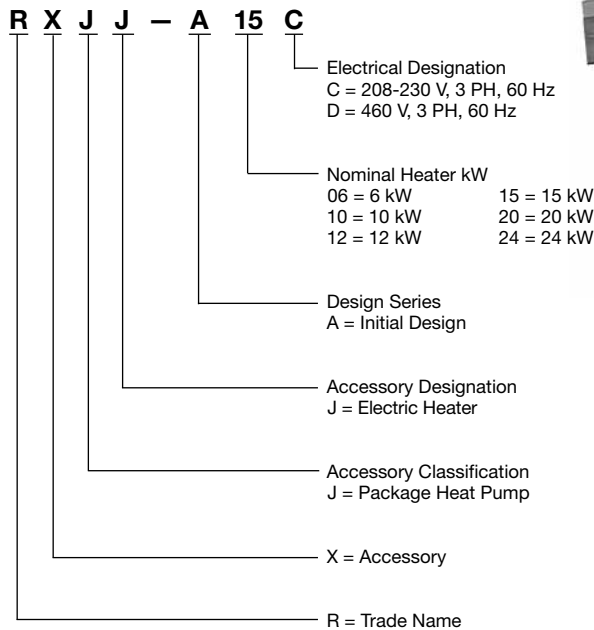


Field Installed Resistance Heater Kits

Electric Heater Kits are designed for field installation using either single-point power wiring or dual circuit wiring. Low voltage plugs are provided to allow for quick connection to the unit. Removing a block-off panel on the unit allows the heater elements to be inserted into the supply air down stream from the indoor coil and supply air blower.

[] Designates Metric Conversions

Model Number Identifier:

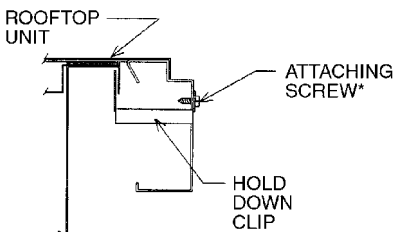
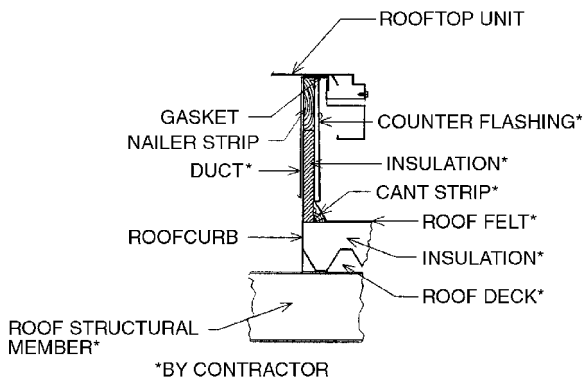


ROOFCURBS (Full Perimeter)

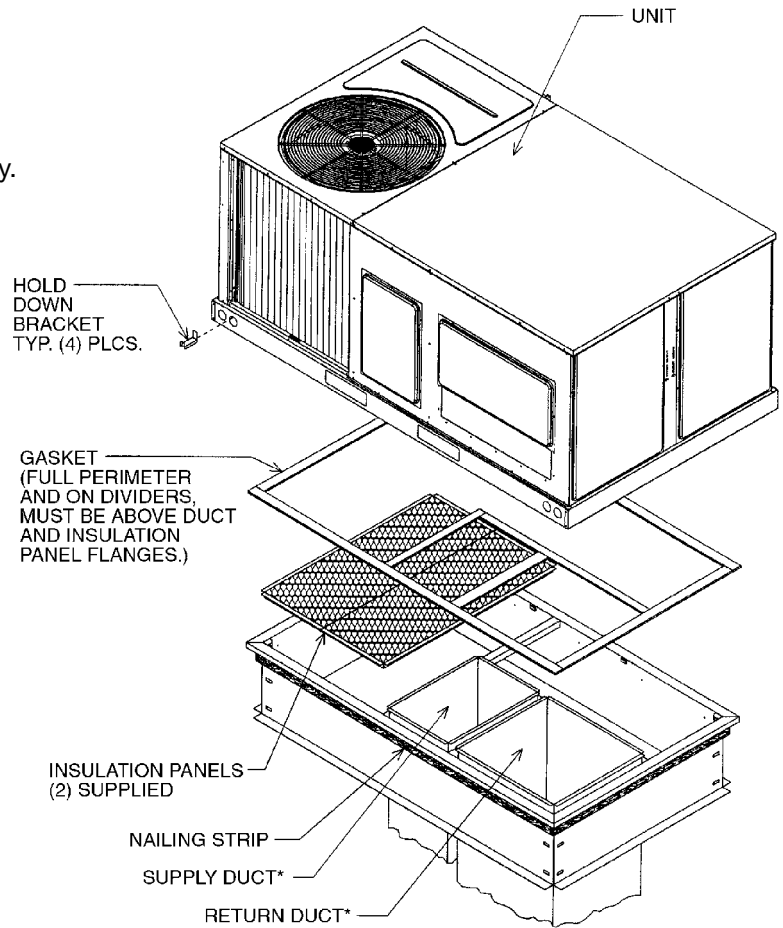
- Rheem's new roofcurb design can be utilized on 3 through 5 ton [10.6-17.6 kW] models.
- Two available heights (14" [356 mm] and 24" [610 mm]) for ALL models.
- Quick assembly corners for simple and fast assembly.
- Opening provided in bottom pan to match the "Thru the Curb" electrical connection opening provided on the unit base pan.
- 2" [51 mm] x 4" [102 mm] Nailer provided.
- Insulating panels provided.
- Sealing gasket (28" [711 mm]) provided with Roofcurb.
- Packaged for easy field assembly.

| Roofcurb Model | Height of Curb |
|----------------|----------------|
| RXKG-CAD14 | 14" [356 mm] |
| RXKG-CAD24 | 24" [610 mm] |

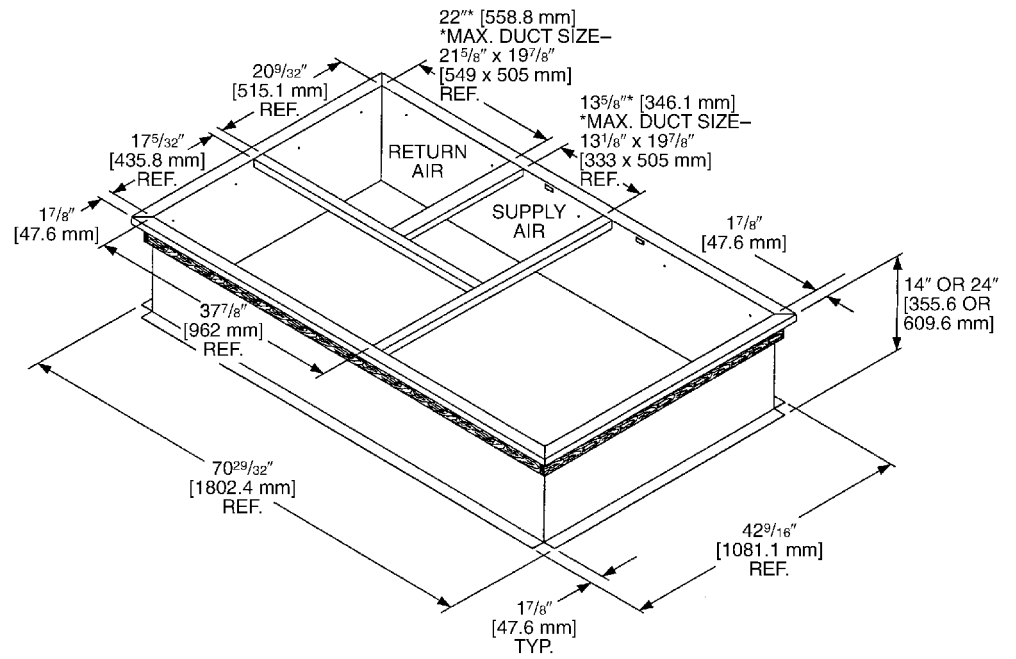
[*] Designates Metric Conversions



TYPICAL INSTALLATION



ROOFCURBS (Cont.)



ROOFCURB CONFIGURATION FOR RJPL-C 3-5 TON [10.6-17.6 kW] MODELS

ECONOMIZERS

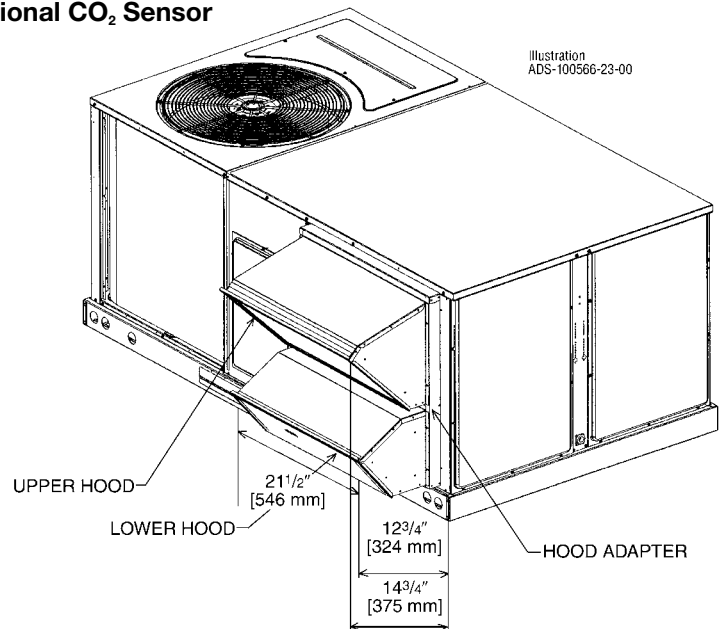
AXRD-01RKCCM3—3-5 Ton [10.6-17.6] models
AXRD-01RKCDM3—3-5 Ton [10.6-17.6] models

RXXR-AV03—3-5 Ton [10.6-17.6] models
RXXR-AR02—3-5 Ton [10.6-17.6] models

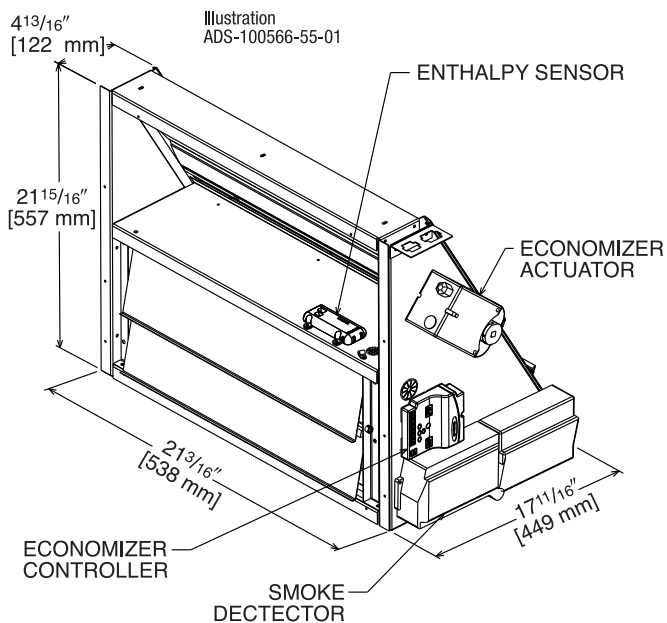
- Features **Honeywell** Controls
- Available Factory Installed or Field Accessory
- Gear Driven Direct Drive Actuator
- Fully Modulating (0-100%)
- Ultra Low Leak Dampers meet California Title 24 requirements
- Horizontal or Downflow Applications
- Slip-In Design for Easy Installations
- Plug-In Polarized 12-pin and Electrical Connections
- Pre-Configuring—No Field Adjustments Necessary
- Standard Barometric Relief Damper Provided
- Single Enthalpy with Dual Enthalpy Upgrade Kit
- CO₂ Input Sensor Available (field installed)
- Economizer Slips in complete for Downflow or Horizontal Duct Applications.
- Field Assembled Hood Ships with Economizer
- Optional Remote Minimum Position (Honeywell #S963B1128) is available from Prostock.
- Field installed power exhaust available.
- If connected to a Building Automation System (BAS), all economizer functions can be viewed on the (BAS), or 16 x 2 LCD screen
- If connected to thermostat, all economizer functions can be viewed on 16 x 2 LCD screen

Single Enthalpy
Single Enthalpy and Smoke Detector

Dual Enthalpy Kit
Optional CO₂ Sensor



RJPL-C 3-5 Ton [10.6-17.6 kW] Models

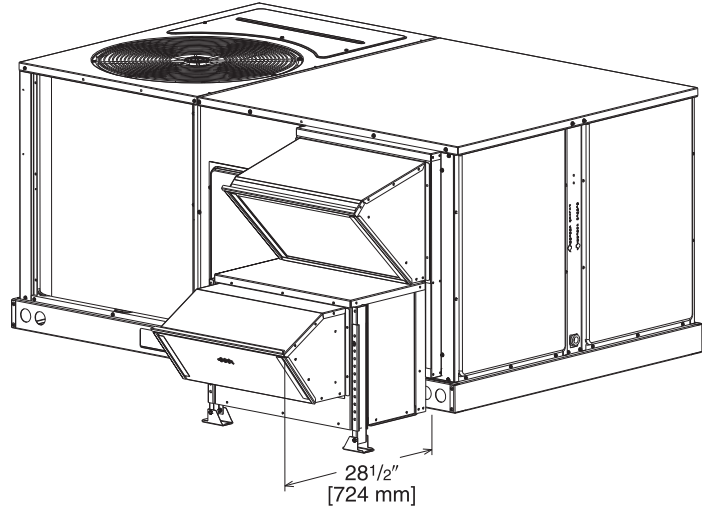


[] Designates Metric Conversions

INTEGRAL POWER EXHAUST FOR ECONOMIZER (FIELD INSTALLED ONLY)

AXRX-BGF04C—RJPL-C 3-5 Ton [10.6-17.6 kW] Models 208-230 V, 1 PH, 60 Hz for AXRD-01RKCCM3 & AXRD-01RKCDM3 Economizers
AXRX-BGF04D—RJPL-C 3-5 Ton [10.6-17.6 kW] Models 460 V, 3 PH, 60 Hz for AXRD-01RKCCM3 & AXRD-01RKCDM3 Economizers

- Downflow or horizontal applications
Requires separate 208-230 volt – 1 PH power supply with disconnect or requires separate 460V – 3 PH power supply with disconnect.
- Adjustable switch on economizer, factory preset to energize power exhaust at 95% outside air position
- Polarized plug connects power exhaust relay to economizer



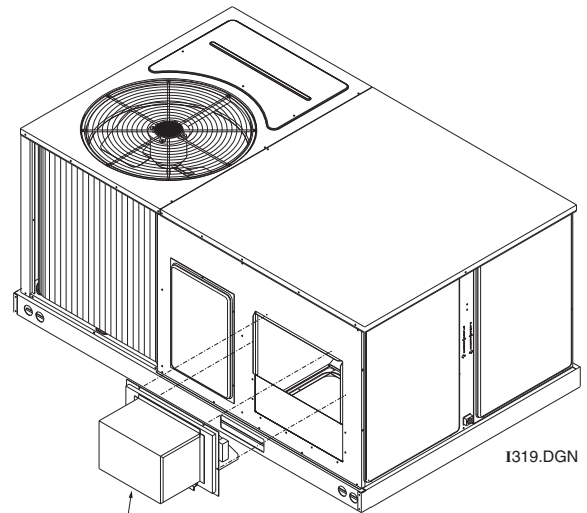
POWER EXHAUST KIT FOR AXRD-01RKCCM3, AXRD-01RKCDM3 ECONOMIZERS

| Model No. | No. of Fans | Volts | Phase | Watts | High Speed | | FLA | LRA |
|-------------|-------------|---------|-------|-------|------------|------|-----|------|
| | | | | | CFM ① | RPM | | |
| AXRX-BGF03C | 1 | 208/230 | 1 | 1000 | 2350 | 1725 | 4.8 | 25.6 |
| AXRX-BGF03D | 1 | 460 | 1 | 800 | 2350 | 1625 | 1.6 | 14.3 |
| AXRX-BGF04C | 1 | 208/230 | 1 | 1000 | 2350 | 1725 | 4.8 | 25.6 |
| AXRX-BGF04D | 1 | 460 | 1 | 800 | 2350 | 1625 | 1.6 | 14.3 |

① CFM is at 0" W.C. external static pressure.

FRESH AIR DAMPER

RJPL-C 3-5 Ton [10.6-17.6 kW] Models
AXRF-FBA1
AXRF-FBB1

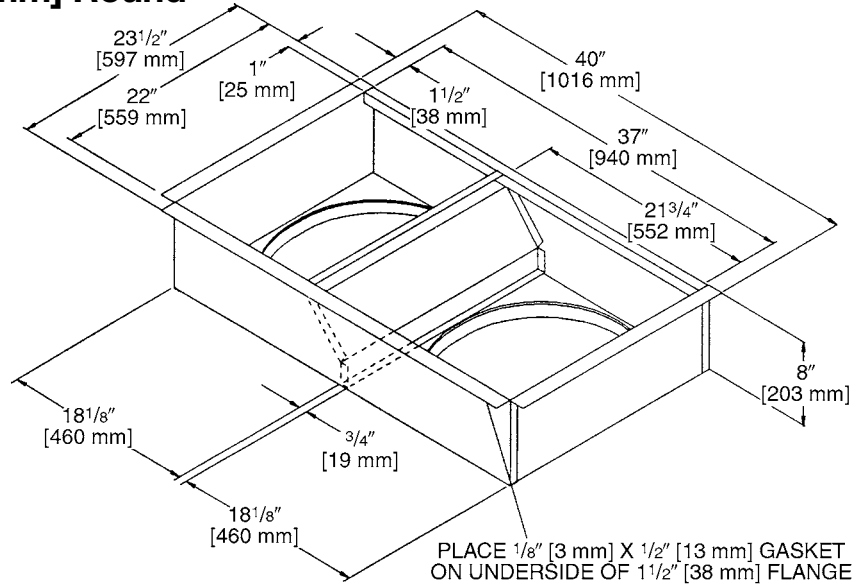


FRESH AIR DAMPER

[] Designates Metric Conversions

DUCT ADAPTERS (3 TO 5 TON [10.6 TO 17.6 kW] MODELS)
Rectangular to Round
Transitions (Downflow)
RXMC-CB03 – 18" [457 mm] Round

Available in 18 inch round to fit all units. Drops into and secures to RXKG- Series Roofcurbs. **For use with Concentric Diffusers.**

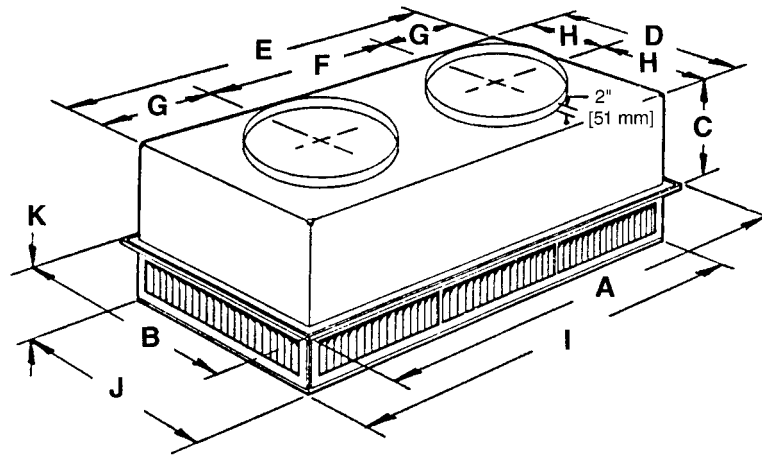


[] Designates Metric Conversions

SIDE DISCHARGE CONCENTRIC DIFFUSER

RXRN-FA60 (3 to 5 Ton [10.6 to 17.6 kW] Models)

For Use With Duct Adapter (RXMC)



DIMENSIONAL DATA

| Model No. | A | B | C | D | E | F | G | H | I | J | K | Duct Size |
|-----------|-----------------------------------------------|----------------------------------------------|----------------------------------------------|----------------------------------------------|-----------------------------------------------|----------------------------------------------|----------------------------------------------|----------------------------------------------|-----------------------------------------------|----------------------------------------------|---------------------------------------------|-----------|
| RXRN-FA60 | 47 ⁵ / ₈ " [1210 mm] | 23 ⁵ / ₈ " [600 mm] | 11 ³ / ₈ " [289 mm] | 21 ¹ / ₂ " [546 mm] | 45 ¹ / ₂ " [1156 mm] | 22 ¹ / ₂ " [572 mm] | 11 ¹ / ₂ " [292 mm] | 10 ³ / ₄ " [273 mm] | 45 ¹ / ₂ " [1156 mm] | 21 ¹ / ₂ " [546 mm] | 7 ¹ / ₈ " [181 mm] | 18RD |

ENGINEERING DATA

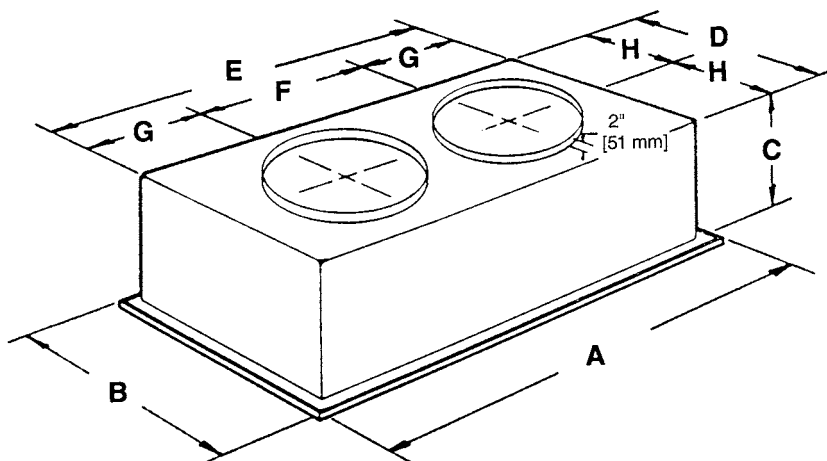
| Model No. | CFM [L/s] | Static Pressure | Throw Feet | Neck Vel. | Jet Vel. | Noise Level |
|-----------|-------------|-----------------|------------|-----------|----------|-------------|
| RXRN-FA60 | 1000 [472] | .14 | 10-17 | 351 | 351 | 20 |
| | 1200 [566] | .17 | 11-18 | 421 | 421 | 20 |
| | 1400 [661] | .20 | 12-19 | 491 | 491 | 20 |
| | 1600 [755] | .24 | 12-20 | 561 | 561 | 20 |
| | 1800 [850] | .30 | 13-21 | 632 | 632 | 20 |
| | 2000 [944] | .36 | 14-23 | 702 | 702 | 20 |
| | 2200 [1038] | .40 | 16-25 | 772 | 772 | 20 |

[] Designates Metric Conversions

FLUSH MOUNT CONCENTRIC DIFFUSER

RXRN-FA70 (3 to 5 Ton [10.6 to 17.6 kW] Models)

For Use With Duct Adapter (RXMC)



DIMENSIONAL DATA

| Model No. | A | B | C | D | E | F | G | H | Duct Size |
|-----------|-----------------------------------------------|----------------------------------------------|----------------------------------------------|-----------------|------------------|----------------------------------------------|----------------------------------------------|----------------------------------------------|-----------|
| RXRN-FA70 | 47 ⁵ / ₈ " [1210 mm] | 23 ⁵ / ₈ " [600 mm] | 13 ¹ / ₂ " [343 mm] | 21" [533 mm] | 45" [1143 mm] | 22 ¹ / ₂ " [572 mm] | 11 ¹ / ₄ " [286 mm] | 10 ¹ / ₂ " [267 mm] | 18RD |

ENGINEERING DATA

| Model No. | CFM [L/s] | Static Pressure | Throw Feet | Neck Vel. | Jet Vel. | Noise Level |
|-----------|-------------|-----------------|------------|-----------|----------|-------------|
| RXRN-FA70 | 1000 [472] | .14 | 15-20 | 391 | 694 | 20 |
| | 1200 [566] | .17 | 16-22 | 469 | 833 | 25 |
| | 1400 [661] | .20 | 17-24 | 547 | 972 | 30 |
| | 1600 [755] | .24 | 18-25 | 625 | 1111 | 30 |
| | 1800 [850] | .30 | 20-28 | 703 | 1250 | 35 |
| | 2000 [944] | .36 | 21-29 | 781 | 1389 | 40 |
| | 2200 [1038] | .40 | 22-30 | 859 | 1528 | 40 |

[] Designates Metric Conversions

Guide Specifications – RJPL-C036 thru C060

You may copy this document directly into your building specification. This specification is written to comply with the 2004 version of the “master format” as published by the Construction Specification Institute. www.csinet.org.

ROOFTOP PACKAGED HEAT PUMP

HVAC Guide Specifications

Size Range: 3.0 to 5.0 Nominal Tons

| Section | Description |
|---------|-------------|
|---------|-------------|

| | |
|-----------------|---------------------------------------------------|
| 23 06 80 | Schedules for Decentralized HVAC Equipment |
|-----------------|---------------------------------------------------|

| | |
|-------------|-----------------------------------------------|
| 23 06 80.13 | Decentralized Unitary HVAC Equipment Schedule |
|-------------|-----------------------------------------------|

| | |
|----------------|-----------------------|
| 23 06 80.13.A. | Rooftop unit schedule |
|----------------|-----------------------|

1. Schedule is per the project specification requirements.

| | |
|-----------------|----------------------------------|
| 23 07 16 | HVAC Equipment Insulation |
|-----------------|----------------------------------|

| | |
|-------------|-------------------------------|
| 23 07 16.13 | Decentralized, Rooftop Units: |
|-------------|-------------------------------|

1. Interior cabinet surfaces shall be insulated with a minimum 3/4-in. thick, minimum 1-1/2 lb density, flexible fiberglass insulation bonded with a phenolic binder, with aluminum foil facing on the air side.
2. Insulation and adhesive shall meet NFPA 90A requirements for flame spread and smoke generation.

| | |
|-----------------|-----------------------------------------------------|
| 23 09 13 | Instrumentation and Control Devices for HVAC |
|-----------------|-----------------------------------------------------|

| | |
|-------------|--------------------------|
| 23 09 13.23 | Sensors and Transmitters |
|-------------|--------------------------|

| | |
|----------------|-------------|
| 23 09 13.23.A. | Thermostats |
|----------------|-------------|

1. Thermostat must
 - a. have capability to energize 2 different stages of cooling, and 2 different stages of heating and a reversing valve output.
 - b. must include capability for occupancy scheduling.

| | |
|-----------------|-----------------------------------------------|
| 23 09 23 | Direct-digital Control system for HVAC |
|-----------------|-----------------------------------------------|

| | |
|-------------|-------------------------------|
| 23 09 23.13 | Decentralized, Rooftop Units: |
|-------------|-------------------------------|

| | |
|----------------|------------------|
| 23 09 23.13.A. | RTU-C controller |
|----------------|------------------|

1. Shall be ASHRAE 62-2001 compliant.
2. Shall accept 18-32VAC input power.
3. Shall have an operating temperature range from -40°F (-40°C) to 158°F (70°C), 10% - 95% RH (non-condensing).
4. Controller shall accept the following inputs: space temperature, setpoint adjustment, outdoor air temperature, indoor air quality, outdoor air enthalpy, fire shutdown, return air enthalpy, fan status, remote time clock/door switch.
5. Shall accept a CO₂ sensor in the conditioned space, and be Demand Control Ventilation (DCV) ready.
6. Shall provide the following outputs: Economizer, fan, cooling stage 1, cooling stage 2, heat stage 1, heat stage 2, heat stage 3/ exhaust/ reversing valve/ occupied.
7. Unit shall provide surge protection for the controller through a circuit breaker.
8. Shall have a field installed communication card allowing the unit to be Internet capable, and communicate at a Baud rate of 19.2K or faster
9. Shall have an LED display independently showing the status of activity on the communication bus, and processor operation.
10. Shall have either a field installed BACnet® plug-in communication card which includes an EIA-485 protocol communication port, or a field installed LonWorks™ plug-in communications card.
11. Software upgrades will be accomplished by local download. Software upgrades through chip replacements are not allowed.
12. Shall be shock resistant in all planes to 5G peak, 11ms during operation, and 100G peak, 11ms during storage.
13. Shall be vibration resistant in all planes to 1.5G @ 20-300 Hz.
14. Shall support a bus length of 4000 ft max, 60 devices per 1000 ft section, and 1 RS-485 repeater per 1000 ft sections.

| | |
|----------------|-------------------------------------------|
| 23 09 23.13.B. | Open protocol, direct digital controller: |
|----------------|-------------------------------------------|

1. Shall be ASHRAE 62-2001 compliant.
2. Shall accept 18-30VAC, 50-60Hz, and consumer 15VA or less power.
3. Shall have an operating temperature range from -40°F (-40°C) to 130°F (54°C), 10% - 90% RH (non-condensing).
4. Shall have either a field installed BACnet® plug-in communication card which includes an EIA-485 protocol communication port, or a field installed LonWorks™ plug-in communications card.
5. The BACnet® plug in communication card shall include built-in protocol for BACNET (MS/TP and PTP modes)
6. The LonWorks™ plug in communication card shall include the Echelon processor required for all Lon applications.
7. Shall allow access of up to 62 network variables (SNVT). Shall be compatible with all open controllers
8. Baud rate Controller shall be selectable through the EIA-485 protocol communication port.
9. Shall have an LED display independently showing the status of serial communication, running, errors, power, all digital outputs, and all analog inputs.
10. Shall accept the following inputs: space temperature, setpoint adjustment, outdoor air temperature, indoor air quality, outdoor air enthalpy, compressor lock-out, fire shutdown, enthalpy switch, and fan status/filter status/ humidity/ remote occupancy.

11. Shall provide the following outputs: economizer, fan, cooling stage 1, cooling stage 2, heat stage 1, heat stage 2, heat stage 3/ exhaust/ reversing valve.
12. Software upgrades will be accomplished by either local or remote download. No software upgrades through chip replacements are allowed.

23 09 33 Electric and Electronic Control System for HVAC

23 09 33.13 Decentralized, Rooftop Units:

23 09 33.13.A. General:

1. Shall be complete with self-contained low-voltage control circuit protected by a resettable circuit breaker on the 24-v transformer side. Transformer shall have 100VA capabilities.
2. Shall utilize color-coded wiring.
3. Shall include a central control terminal board to conveniently and safely provide connection points for vital control functions such as: smoke detectors, phase monitor, economizer, thermostat, DDC control options, loss of charge, freeze sensor, high pressure switches.
4. Unit shall include a minimum of one 10-pin screw terminal connection board for connection of control wiring.
5. Shall include integrated defrost system to prevent excessive frost accumulation during heating duty, and shall be controlled as follows:
 - a. Defrost shall be initiated on the basis of Demand Defrost.
 - b. The need for a defrost cycle is determined by one of two factors: Time or Frost Detection.
 - c. Should six hours of compressor run time elapse without a defrost cycle and the coil temperature is below the frost accumulation temperature, a defrost cycle will be initiated.
 - d. The control shall be capable of detecting frost accumulation on the outdoor coil and initiate a defrost cycle when the Dry Coil Delta T + the Coil Temperature Dependant Variable (10 degrees of degradation) is sensed.
 - e. As the ambient temperature changes, the ambient change will be used to adjust the detection of frost accumulation.

23 09 33.23.B. Safeties:

1. Compressor over-temperature, over current.
2. Loss of charge switch.
 - a. Units with 2 compressors shall have different colored wires for the circuit 1 and circuit 2 low and high pressure switches.
 - b. Loss of charge switch shall use different color wire than the high pressure switch. The purpose is to assist the installer and service technician to correctly wire and or troubleshoot the rooftop unit.
 - c. Loss of charge switch shall have a different sized connector than the high pressure switch. They shall physically prevent the cross-wiring of the safety switches between the high and low pressure side of the system.
3. High-pressure switch.
 - a. Units with 2 compressors shall have different colored wires for the circuit 1 and circuit 2 low and high pressure switches.
 - b. High pressure switch shall use different color wire than the low pressure switch. The purpose is to assist the installer and service person to correctly wire and or troubleshoot the rooftop unit.
 - c. High pressure switch shall have a different sized connector than the loss of charge switch. They shall physically prevent the cross-wiring of the safety switches between the high and low pressure side of the system.
4. Freeze protection sensor, evaporator coil.
5. Automatic reset, motor thermal overload protector.

23 09 93 Sequence of Operations for HVAC Controls

23 09 93.13 Decentralized, Rooftop Units:

23 09 93.13 INSERT SEQUENCE OF OPERATION

23 40 13 Panel Air Filters

23 40 13.13 Decentralized, Rooftop Units:

23 40 13.13.A. Standard filter section shall

1. Shall consist of factory-installed, low velocity, throwaway 2-in. thick fiberglass filters of commercially available sizes.
2. Filters shall be accessible through an access panel as described in the unit cabinet section of this specification (23 81 19.13.H).

23 81 19 Self-Contained Air Conditioners

23 81 19.13 Small-Capacity Self-Contained Air Conditioners

23 81 19.13.A. General

1. Outdoor, rooftop mounted, electrically controlled, heating and cooling unit utilizing a(n) hermetic scroll compressor(s) for cooling duty and heat pump for heating duty.
2. Factory assembled, single-piece heating and cooling rooftop unit. Contained within the unit enclosure shall be all factory wiring, piping, controls, and special features required prior to field start-up.
3. Unit shall use environmentally sound R-410a refrigerant.
4. Unit shall be installed in accordance with the manufacturer's instructions.
5. Unit must be selected and installed in compliance with local, state, and federal codes.

23 81 19.13.B. Quality Assurance

1. Unit meets ASHRAE 90.1-2004 minimum efficiency requirements.
2. 3 phase units are Energy Star qualified.
3. Unit shall be rated in accordance with AHRI Standards 210/240 and 340/360.
4. Unit shall be designed to conform to ASHRAE 15, 2001.
5. Unit shall be UL-tested and certified in accordance with ANSI Z21.47 Standards and UL-listed and certified under Canadian standards as a total package for safety requirements.
6. Insulation and adhesive shall meet NFPA 90A requirements for flame spread and smoke generation.
7. Unit casing shall be capable of withstanding 500-hour salt spray exposure per ASTM B117 (scribed specimen).
8. Unit casing shall be capable of withstanding Federal Test Method Standard No. 141 (Method 6061) 5000-hour salt spray.
9. Unit shall be designed in accordance with ISO 9001:2000, and shall be manufactured in a facility registered by ISO 9001:2000.
10. Roof curb shall be designed to conform to NRCA Standards.
11. Unit shall be subjected to a completely automated run test on the assembly line. The data for each unit will be stored at the factory, and must be available upon request.
12. Unit shall be designed in accordance with UL Standard 1995, including tested to withstand rain.
13. Unit shall be constructed to prevent intrusion of snow and tested to prevent snow intrusion into the control box up to 40 mph.

23 81 19.13.C. Delivery, Storage, and Handling

1. Unit shall be stored and handled per manufacturer's recommendations.
2. Lifted by crane requires either shipping top panel or spreader bars.
3. Unit shall only be stored or positioned in the upright position.

23 81 19.13.E. Project Conditions

1. As specified in the contract.

23 81 19.13.F. Operating Characteristics

1. Unit shall be capable of starting and running at 115°F (46°C) ambient outdoor temperature, meeting maximum load criteria of AHRI Standard 210/240 or 340/360 at $\pm 10\%$ voltage.
2. Compressor with standard controls shall be capable of operation from 40°F (4°C), ambient outdoor temperatures. Accessory low ambient kit is necessary if mechanically cooling at ambient temperatures below 40°F (4°C).
3. Unit shall be capable of simultaneous heating duty and defrost cycle operation when using accessory electric heaters.
4. Unit shall discharge supply air vertically or horizontally as shown on contract drawings.
5. Unit shall be factory configured for vertical supply & return configurations.
6. Unit shall be field convertible from vertical to horizontal configuration.

23 81 19.13.G. Electrical Requirements

1. Main power supply voltage, phase, and frequency must match those required by the manufacturer.

23 81 19.13.H. Unit Cabinet

1. Unit cabinet shall be constructed of galvanized steel, and shall be bonderized and coated with pre-painted baked enamel finish on all externally exposed surfaces.
2. Unit cabinet exterior paint shall be: film thickness, (dry) 0.003 inches minimum, gloss (per ASTM D523, 60°F): 60, Hardness: H-2H Pencil hardness.
3. Evaporator fan compartment interior cabinet insulation shall conform to AHRI Standards 210/240 or 340/360 minimum exterior sweat criteria. Interior surfaces shall be insulated with a minimum 3/4-in. thick, 1 lb density, flexible fiberglass insulation, aluminum foil-faced on the air side.
4. Base of unit shall have locations for thru-the-base electrical connections (factory installed or field installed), standard.
5. Base Rail
 - a. Unit shall have base rails on all sides.
 - b. Holes shall be provided in the base rails for rigging shackles to facilitate maneuvering and overhead rigging.
 - c. Holes shall be provided in the base rail for moving the rooftop by fork truck.
 - d. Base rail shall be a minimum of 14 gauge thickness.
6. Condensate pan and connections:
 - a. Shall be a sloped condensate drain pan made of a non-corrosive material.
 - b. Shall comply with ASHRAE Standard 62.
 - c. Shall use a 1" -11 1/2 NPT drain connection, through the side of the drain pan. Connection shall be made per manufacturer's recommendations.
7. Top panel:
 - a. Indoor section shall be a single piece top panel.
8. Electrical Connections
 - a. All unit power wiring shall enter unit cabinet at a single, factory-prepared, knockout location.
 - b. Thru-the-base capability
 - (1.) Standard unit shall have a thru-the-base electrical location(s) using a raised, embossed portion of the unit basepan.
 - (2.) No basepan penetration, other than those authorized by the manufacturer, is permitted.

9. Component access panels (standard)
 - a. Cabinet panels shall be easily removable for servicing.
 - b. Stainless steel metal hinges are standard on all doors.
 - c. Panels covering control box, indoor fan, indoor fan motor, and air filters, shall have 1/4 turn latches (optional).

23 81 19.13.J. Coils

1. Standard Aluminum/Copper Coils: on all models.
 - a. Standard evaporator and condenser coils shall have aluminum lanced plate fins mechanically bonded to seamless internally grooved copper tubes with all joints brazed.
 - b. Evaporator and Condenser coils shall be leak tested to 150 psig, pressure tested to 550 psig, and qualified to UL 1995 burst test at 2,200 psig.

23 81 19.13.K. Refrigerant Components

1. Refrigerant circuit shall include the following control, safety, and maintenance features:
 - a. Thermal Expansion Valve (TXV) with venturi type distributor.
 - b. Refrigerant filter drier.
 - c. External service gauge connections to unit suction and discharge lines.
2. Compressors
 - a. Unit shall use one fully hermetic, scroll compressor for each independent refrigeration circuit.
 - b. Compressor motors shall be cooled by refrigerant gas passing through motor windings.
 - d. Compressors shall be internally protected from high discharge temperature conditions.
 - e. Compressors shall be protected from an over-temperature and over-ampereage conditions by an internal, motor overload device.
 - f. Compressor shall be factory mounted on rubber grommets.
 - g. Compressor motors shall have internal line break thermal, current overload and high pressure differential protection.
 - h. Crankcase heaters shall be utilized on all models to protect compressor with specific refrigerant charge.

23 81 19.13.L. Filter Section

1. Filters access is specified in the unit cabinet section of this specification.
2. Filters shall be held in place by a sliding filter tray, facilitating easy removal and installation.
3. Shall consist of factory-installed, low velocity, throw-away 2-in. thick fiberglass filters.
4. Filters shall be standard, commercially available sizes.
5. Filter face velocity shall not exceed 365 fpm at nominal airflows.

23 81 19.13.M. Evaporator Fan and Motor

1. Evaporator fan motor:
 - a. Shall have permanently lubricated bearings.
 - b. Shall have inherent automatic-reset thermal overload protection or circuit breaker.
 - c. Shall have a maximum continuous bhp rating for continuous duty operation; no safety factors above that rating shall be required.
2. Belt-driven Evaporator Fan:
 - a. Belt drive shall include an adjustable-pitch motor pulley.
 - b. Shall use sealed, permanently lubricated ball-bearing type.
 - c. Blower fan shall be double-inlet type with forward-curved blades.
 - d. Shall be constructed from steel with a corrosion resistant finish and dynamically balanced.

23 81 19.13.N. Condenser Fans and Motors

1. Condenser fan motors:
 - a. Shall be a totally enclosed motor.
 - b. Shall use permanently lubricated bearings.
 - c. Shall have inherent thermal overload protection with an automatic reset feature.
 - d. Shall use a shaft-down design. Shaft-up designs including those with “rain-slinger devices” shall not be allowed.
2. Condenser Fans:
 - a. Shall be a direct-driven propeller type fan.
 - b. Shall have aluminum blades riveted to corrosion-resistant steel spiders and shall be dynamically balanced.

23 81 19.13.O. Special Features, Options and Accessories

1. Integrated Economizers:
 - a. Integrated, gear-driven parallel modulating blade design type capable of simultaneous economizer and compressor operation.
 - b. Independent modules for vertical or horizontal return configurations shall be available. Vertical return modules shall be available as a factory installed option.
 - c. Damper blades shall be galvanized steel with metal gears. Plastic or composite blades on intake or return shall not be acceptable.
 - d. Shall include all hardware and controls to provide free cooling with outdoor air when temperature and/or humidity are below setpoints.

- e. Shall be equipped with gear driven dampers for both the outdoor ventilation air and the return air for positive air stream control.
 - f. Shall be capable of introducing up to 100% outdoor air.
 - g. Shall be equipped with a barometric relief damper capable of relieving up to 100% return air.
 - h. Shall be designed to close damper(s) during loss-of-power situations with spring return built into motor.
 - i. An outdoor single enthalpy sensor shall be provided as standard. Outdoor air sensor setpoint shall be adjustable and shall range from the enthalpy equivalent of 63°F @ 50% rh to 73°F @ 50% rh. Additional sensor options shall be available as accessories.
 - j. The economizer controller shall also provide control of an accessory power exhaust unit function. Factory set at 70%, with a range of 0% to 100%.
 - k. The economizer shall maintain minimum airflow into the building during occupied period and provide design ventilation rate for full occupancy. A remote potentiometer may be used to override the damper setpoint.
 - l. Dampers shall be completely closed when the unit is in the unoccupied mode.
 - m. Economizer controller shall accept a 2-10Vdc CO₂ sensor input for IAQ/DCV control. In this mode, dampers shall modulate the outdoor-air damper to provide ventilation based on the sensor input.
 - n. Compressor lockout sensor on the unit controller is factory set at 35°F and is adjustable from 30°F (-1°C) to 50°F (10°C) and resets the cooling lockout at 5°F (+2.7°C) above the set point.
 - o. Actuator shall be direct coupled to economizer gear. No linkage arms or control rods shall be acceptable.
 - p. Economizer controller shall provide indications when in free cooling mode, in the DCV mode, or the exhaust fan contact is closed.
 - q. Economizer wire harness will have provision for smoke detector.
 - r. Ultra Low Leak Dampers shall meet California Title 24 requirements.
 - s. Economizer controller shall meet California Title 24 FDD (Fault Detection and Diagnostics) requirements.
2. Two-Position Motorized Damper
- a. Damper shall be a Two-Position Motorized Damper. Damper travel shall be from the full closed position to the field adjustable %-open setpoint.
 - b. Damper shall include adjustable damper travel from 25% to 100% (full open).
 - c. Damper shall include single or dual blade, gear driven dampers and actuator motor.
 - d. Actuator shall be direct coupled to damper gear. No linkage arms or control rods shall be acceptable.
 - e. Damper will admit up to 100% outdoor air for applicable rooftop units.
 - f. Damper shall close upon indoor (evaporator) fan shutoff and/or loss of power.
 - g. The damper actuator shall plug into the rooftop unit's wiring harness plug. No hard wiring shall be required.
 - h. Outside air hood shall include aluminum water entrainment filter
3. Manual damper
- a. Manual damper package shall consist of damper, air inlet screen, and rain hood which can be preset to admit up to 50% outdoor air for year round ventilation.
4. Head Pressure Control Package
- a. Controller shall control coil head pressure by condenser-fan cycling.
5. Condenser Coil Hail Guard Assembly
- a. Shall protect against damage from hail.
 - b. Shall be louvered design.
6. Convenience Outlet:
- a. Non-Powered convenience outlet.
 - (1.) Outlet shall be powered from a separate 115-120v power source.
 - (2.) A transformer shall not be included.
 - (3.) Outlet shall be factory-installed and internally mounted with easily accessible 115-v female receptacle.
 - (4.) Outlet shall include 15 amp GFI receptacles.
 - (5.) Outlet shall be accessible from outside the unit.
 - (6.) Outlet shall have wet location, while-in-use cover.
7. Fan/Filter Status Switch:
- a. Switch shall provide status of indoor evaporator fan (ON/OFF) or filter (CLEAN/DIRTY).
 - b. Status shall be displayed either over communication bus (when used with direct digital controls) or through the controller LCD display inside the unit control box.
8. Propeller Power Exhaust:
- a. Power exhaust shall be used in conjunction with an integrated economizer.
 - b. Independent modules for vertical or horizontal return configurations shall be available.
 - c. Horizontal power exhaust is shall be mounted in return ductwork.
 - d. Power exhaust shall be controlled by economizer controller operation. Exhaust fans shall be energized when dampers open past the 0-100% adjustable setpoint on the economizer control.

9. Roof Curbs (Vertical):
 - a. Full perimeter roof curb with exhaust capability providing separate air streams for energy recovery from the exhaust air without supply air contamination.
 - b. Formed galvanized steel with wood nailer strip and shall be capable of supporting entire unit weight.
 - c. Permits installation and securing of ductwork to curb prior to mounting unit on the curb.
10. High-Static Indoor Fan Motor(s) and Drive(s):
 - a. High-static motor(s) and drive(s) shall be factory-installed to provide additional performance range.
11. Outdoor Air Enthalpy Sensor:
 - a. The outdoor air enthalpy sensor shall be used to provide single enthalpy control. When used in conjunction with a return air enthalpy sensor, the unit will provide differential enthalpy control. The sensor allows the unit to determine if outside air is suitable for free cooling.
13. Return Air Enthalpy Sensor:
 - a. The return air enthalpy sensor shall be used in conjunction with an outdoor air enthalpy sensor to provide differential enthalpy control.
14. Indoor Air Quality (CO₂) Sensor:
 - a. Shall be able to provide demand ventilation indoor air quality (IAQ) control.
 - b. The IAQ sensor shall be available in wall mount with LED display. The setpoint shall have adjustment capability.
15. Smoke detectors:
 - a. Shall be a Four-Wire Controller and Detector.
 - b. Shall be environmental compensated with differential sensing for reliable, stable, and drift-free sensitivity.
 - c. Shall use magnet-activated test/reset sensor switches.
 - d. Shall have a recessed momentary switch for testing and resetting the detector.
 - e. Controller shall include:
 - (1.) One set of normally open alarm initiation contacts for connection to an initiating device circuit on a fire alarm control panel.
 - (2.) Two Form-C auxiliary alarm relays for interface with rooftop unit or other equipment.
 - (3.) One Form-C supervision (trouble) relay to control the operation of the Trouble LED on a remote test/reset station.
 - (4.) Capable of direct connection to two individual detector modules.
 - (5.) Can be wired to up to 14 other duct smoke detectors for multiple fan shutdown applications.
16. Electric Heat:
 - a. Heating Section
 - (1.) Heater element open coil resistance wire, nickel-chrome alloy, strung through ceramic insulators mounted on metal frame. Coil ends are staked and welded to terminal screw slots.
 - (2.) Heater assemblies are provided with integral fusing for protection of internal heater circuits not exceeding 48 amps each. Auto reset thermo limit controls, magnetic heater contactors (24 v coil) and terminal block all mounted in electric heater control box (minimum 18 ga galvanized steel) attached to end of heater assembly.

BEFORE PURCHASING THIS APPLIANCE, READ IMPORTANT ENERGY COST AND EFFICIENCY INFORMATION AVAILABLE FROM YOUR RETAILER.

GENERAL TERMS OF LIMITED WARRANTY*

Rheem will furnish a replacement for any part of this product which fails in normal use and service within the applicable periods stated, in accordance with the terms of the limited warranty.

| | |
|----------------------------------------|----------------|
| Compressor | |
| 3-Phase, Commercial Application | Five (5) Years |
| Parts | |
| 3-Phase, Commercial Applications | One (1) Year |

***For complete details of the Limited and Conditional Warranties, including applicable terms and conditions, contact your local contractor or the Manufacturer for a copy of the product warranty certificate.**



The new degree of comfort.™

In keeping with its policy of continuous progress and product improvement, Rheem reserves the right to make changes without notice.

Rheem Heating, Cooling & Water Heating • P.O. Box 17010
Fort Smith, Arkansas 72917 • www.rheem.com

Rheem Canada Ltd./Ltée • 125 Edgeware Road, Unit 1
Brampton, Ontario • L6Y 0P5



INTEGRATED AIR & WATER

PRINTED IN U.S.A. 4/18 QG FORM NO. P11-792 REV. 3