



The new degree of comfort.™

Rheem *Commercial Classic*® Series Package Heat Pump



RJNL-C 13 SEER High Efficiency Series

With ClearControl™

Nominal Sizes 3-5 Tons [10.6-17.6 kW]

RJNL-C 11 EER High Efficiency Series

With ClearControl™

Nominal Sizes 6 Ton [21.1 kW]

RJPL-C 14 SEER High Efficiency Series

With ClearControl™

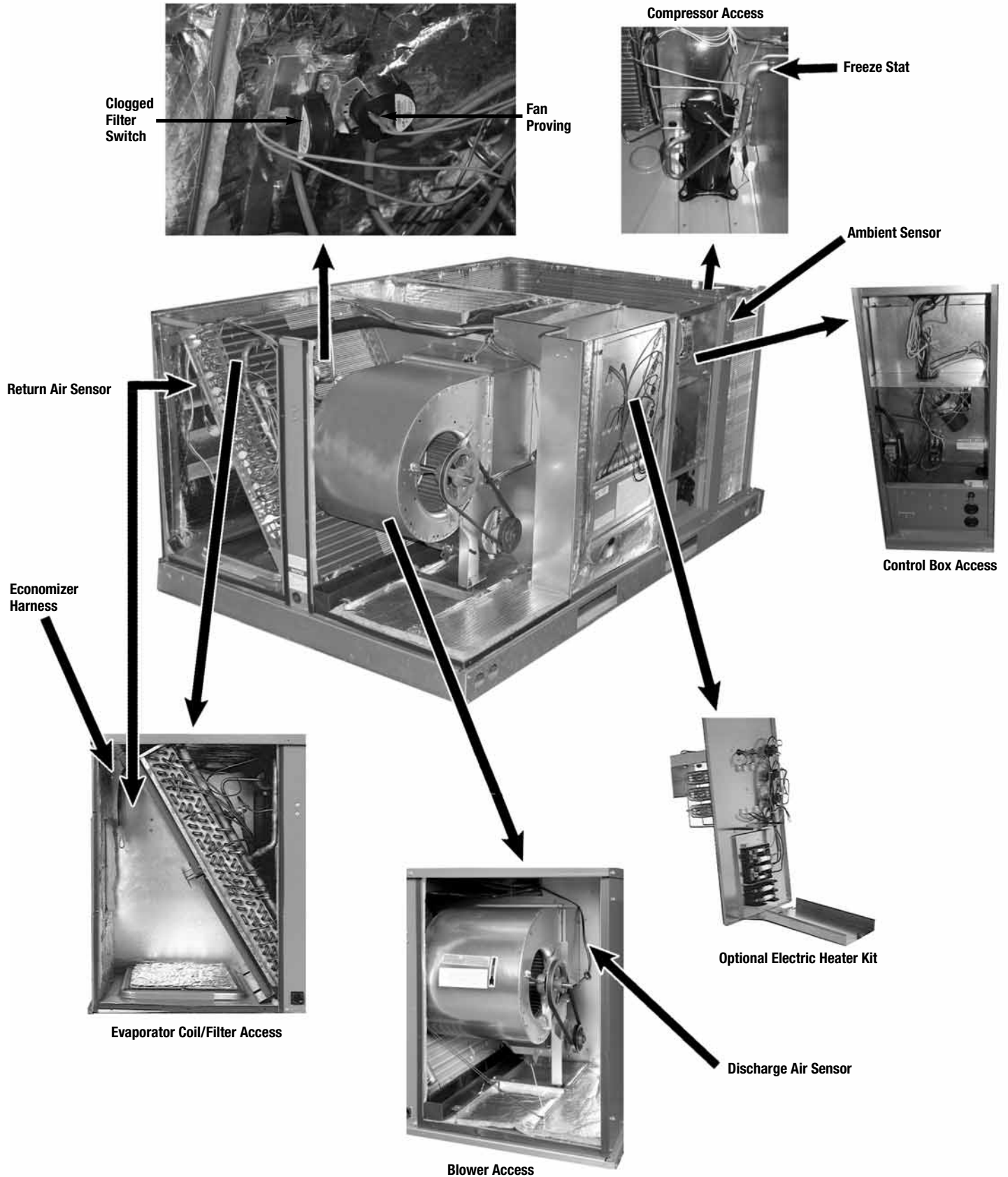
Nominal Sizes 3-5 Tons [10.6-17.6 kW]



TABLE OF CONTENTS

Unit Features & Benefits	3-5
Model Number Identification	6
Options	7
Selection Procedure	8
General Data	
RJNL-C Series	9-13
RJPL-C Series	14-17
General Data Notes	18
Gross Systems Performance Data	
RJNL-C Series	19-23
RJPL-C Series	24-27
Airflow Performance	
RJNL-C/RJPL-C Series	28-30
Electrical Data	
RJNL-C Series	31-32
RJPL-C Series	33-34
Electric Heater Kits	
RJNL-C Series	35-38
RJPL-C Series	39-42
Dimensional Data	43-46
Accessories	47-57
Mechanical Specifications	58-63
Wiring Diagrams	64
Limited Warranty	65

Rheem Package Heat Pump Features:





RJNL - C036, C042, C048, C060, C072
RJPL - C036, C042, C048, C060

RJNL-C/RJPL-C SERIES STANDARD FEATURES INCLUDE:

- R-410A HFC refrigerant.
- Complete factory charged, wired and run tested.
- Scroll compressors with internal line break overload and high-pressure protection.
- Single stage compressor on all models.
- Convertible airflow.
- TXV refrigerant metering system.
- High Pressure protection standard on all models. Low Pressure/Loss of charge protection standard on all models.
- Solid Core liquid line filter drier.
- Single slab, single pass designed evaporator coil facilitate easy cleaning for maintained high efficiencies.
- Cooling operation up to 125 degree F ambient.
- Easy access to filter, blower, electric heat, and compressor/control compartments permit prompt service.
- One piece top cover and one piece base pan with drawn supply and return opening for superior water management.
- Externally mounted refrigerant gauge ports for easy service diagnostics.
- Easy to install plug-in; slip in, 100% fully modulating economizer with barometric relief.
- Forkable base rails for easy handling and lifting.
- Single point electrical connection.
- High performance belt drive motor with variable pitch pulleys and quick adjust belt system.
- Permanently lubricated evaporator and condenser motors.
- Condenser motors are internally protected, totally enclosed with shaft down design.
- 1 inch filter standard with slide out design.
- Colored and labeled wiring.
- Copper tube/Aluminum Fin coils.
- Molded compressor plug.
- Supplemental electric heat provides 100% efficient heating.
- Factory installed ClearControl™, a Direct Digital Control (DDC) and sensors which can connect to LonWorks™ or BACnet BAS systems for remote monitoring and control.

As part of the ClearControl™ system which allows real time monitoring and communication, the RJNL-C Package Heat Pump has a Rooftop Unit Controller (RTU-C) referred to as the ClearControl™, factory mounted and wired in the control panel. The RTU-C is a solid-state microprocessor-based control board that provides flexible control and extensive diagnostics for all unit functions. The RTU-C through proportional/Integral control algorithms perform specific unit functions that govern unit operation in response to: zone conditions, system temperatures, system pressures, ambient conditions and electrical inputs. The RTU-C features a 16 x 2 character LCD display and a five-button keypad for local configuration and direct diagnosis of the system. New features include a clogged filter switch (CFS), fan proving switch (FPS), return air temperature sensor (RAT), discharge air temperature sensor (DAT) and outdoor air temperature sensor (OAT). Freeze sensors (FS) are used in place of freeze-stats to allow measurement of refrigerant suction line temperatures. The RJNL-C Package Heat Pump with the RTU-C is specifically designed to be applied in four distinct applications:

The RJNL-C is compatible with a third party building management system that supports the BACnet Application Specific Controller device profile, with the use of a field installed BACnet Communication Module. The BACnet Communication Module plugs onto the unit RTU-C controller and allows communication between the RTU-C and the BACnet MSTP network. A zone sensor, a BACnet network zone sensor, a BACnet thermostat or DDC controller may be used to send the zone temperature or thermostat demands to the RTU-C. The BACnet Communication Module is compatible with MSTP EIA-485 daisy chain networks communicating at 38.4 bps. It is compatible with twisted pair, shielded cables.

The RJNL-C is compatible with a third party building management system that supports the LonMark Space Comfort Controller (SCC) functional profile or LonMark Discharge Air Controller (DAC) functional profile. This is accomplished with a field installed LonMark communication module. The LonMark Communication Module plugs onto the RTU-C controller and allows

communication between the RTU-C and a LonWorks Network. A zone sensor, a LonTalk network zone sensor, or a LonTalk thermostat or DDC controller may be used to send the zone temperature or thermostat demands to the RTU-C. The LonMark Communication Module utilizes an FTT-10A free topology transceiver communicating at 78.8 kbps. It is compatible with Echelon qualified twisted pair cable, Belden 8471 or NEMA Level 4 cables. The Module can communicate up to 1640 ft. with no repeater. The LonWorks limit of 64 nodes per segment applies to this device.

The RJNL-C is compatible with a programmable 24 volt thermostat. Connections are made via conventional thermostat screw terminals. Extensive unit status and diagnostics are displayed on the LCD screen of the RTU-C.

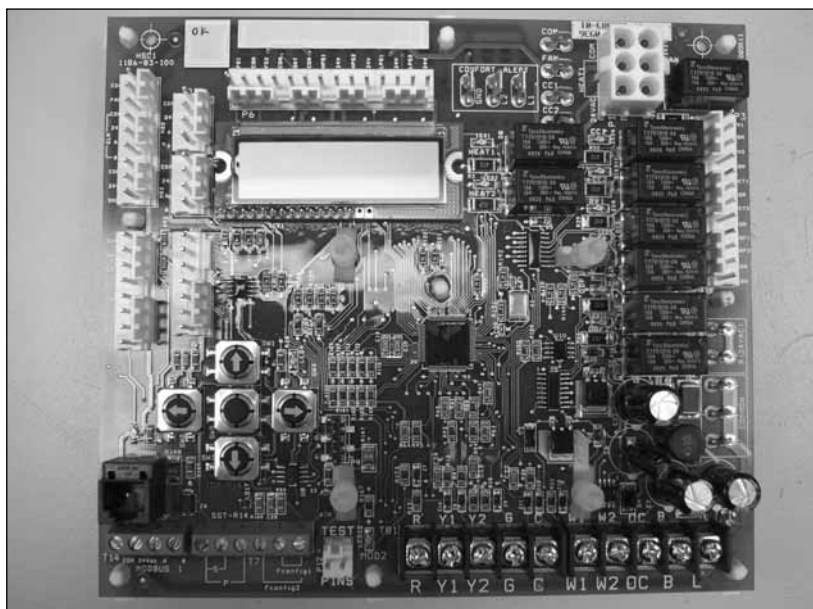
The RJNL-C is compatible with a zone sensor and mechanical or solid state time clock connected to the RTU-C. Extensive unit status and diagnostics are displayed on the LCD screen of the RTU-C.

A factory or field installed Comfort Alert® module is available for power phase-monitoring protection and additional compressor diagnostics. The alarms can be displayed on the RTU-C display through the (BAS) network or connected to the “L-Terminal” of a thermostat for notification.

The damper minimum position, actual damper position, power exhaust on/off setpoint, mixed air temperature limit setpoint and Demand Controlled Ventilation (DCV) setpoint can be read and adjusted at the unit controller display or remotely through a network connection.

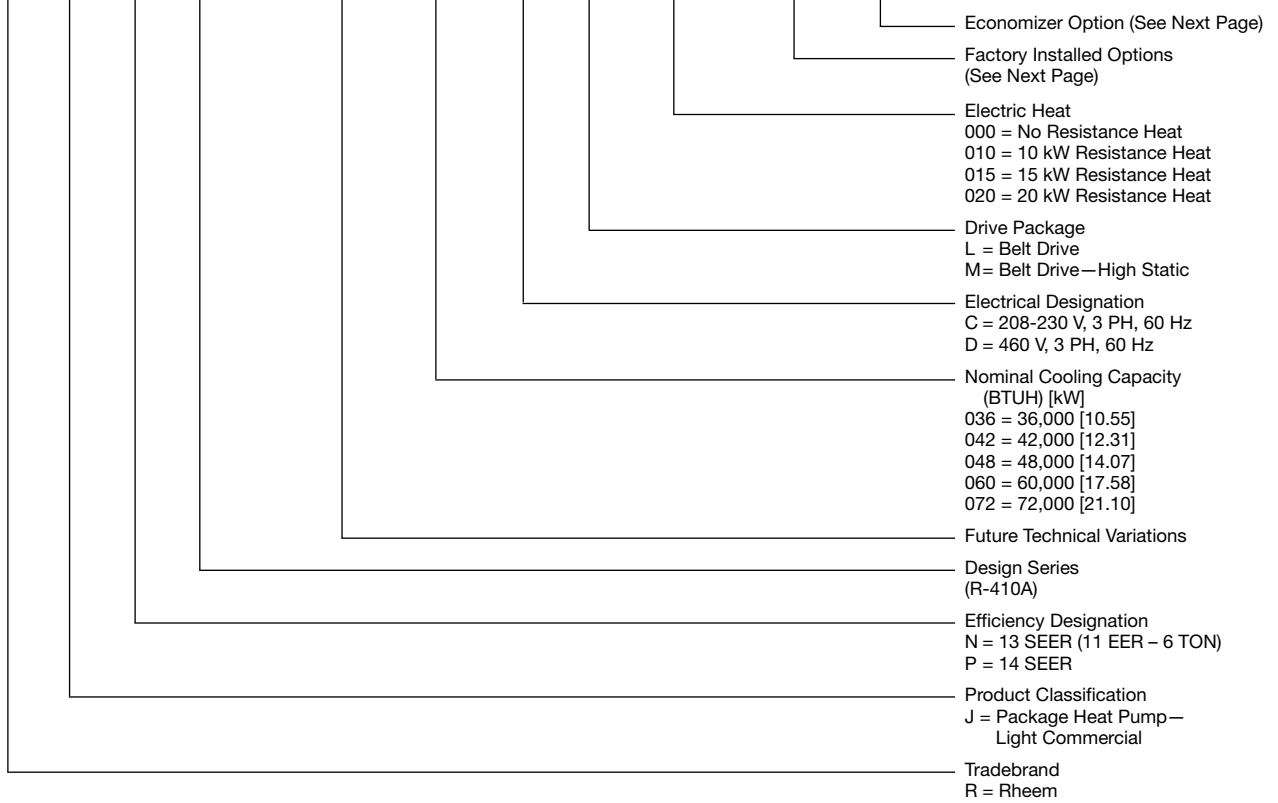
The Space CO₂ level, mixed air temperature, and Economizer Status (Free Cooling Available, Single or Dual Enthalpy) can be read at the unit controller display or remotely through a network connection. Economizer Faults will trigger a network Alarm and can be read at the unit controller display or remotely through a network connection.

RTU-C/ClearControl™





R J N L - C 036 C L 000 X X X



[] Designates Metric Conversions



FACTORY INSTALLED OPTION CODES FOR RJNL-C (3-6 Ton) [10.6-21.1 kW] RJPL-C (3-5 Ton) [10.6-17.6 kW]

Option Code	Hail Guard	Non-Powered Convenience Outlet	Low Ambient/ Comfort Alert	Hinged Doors
AD	x			
AG		x		
AR			x	
AV				x
JD	x		x	
BJ	x	x		
CZ	x	x	x	
JE		x	x	
JK	x			x
JL		x		x
JQ			x	x
KH	x		x	x
KD	x	x		x
DT	x	x	x	x
KL		x	x	x

Example: RJNL-C060CL000XX (where XX is factory installed option)

Example: No Options

RJNL-C060CL000

Example: No Options with Factory Installed Economizer

RJNL-C060CL000AAH

Example: Options with Hailguard with no Factory Installed Economizer

RJNL-C060CL000ADA

Example: Options same as above with Factory Installed Economizer

RJNL-C060CL000ADH

ECONOMIZER SELECTION FOR RJNL-C (3-6 Ton) [10.6-21.1 kW] RJPL-C (3-5 Ton) [10.6-17.6 kW]

Option Code	No Economizer	Single Enthalpy Economizer With Barometric Relief	Single Enthalpy Economizer With Barometric Relief And Smoke Detector
A	x		
H		x	
J			x

“x” indicates factory installed option.

[] Designates Metric Conversions



SELECTION PROCEDURE

1. Determine cooling and heating requirements at design conditions.

Example:

Total cooling capacity43,600 BTUH [12.78 kW]
 Sensible cooling capacity34,000 BTUH [9.96 kW]
 Condenser entering air.....95°F [35°C]
 Evaporator entering air.....63°F [17°C] wb/76°F [24°C] db
 Indoor air flow.....1600 CFM [755 L/s]
 External static pressure1.1 in wg
 Required efficiency.....13 SEER

2. Select unit to meet cooling requirements.

Since total cooling is within the range of 4 ton [14.07 kW] unit and requires 13 SEER efficiency level, enter cooling performance table, at 95°F [35°C] outdoor temperature, 63°F [17°C] wb entering indoor air, and 1600 CFM [755 L/s]:

Total capacity46,700 BTUH [13.68 kW]
 Power input3.3 kW

And also, at 76°F [24°C] db indoor entering air, and using the formula at the bottom of the page:

Sensible capacity33,710 BTUH [9.87 kW]

3. Determine blower speed and power to meet the system requirements.

At the given external static pressure of 1.1 in wg, the belt model must be selected. Enter the belt drive blower performance table at 1600 CFM [755 L/s] and 1.1 in wg ESP:

RPM1205
 Watts725
 Drive.....M

4. Calculate indoor blower BTUH heat effect.

BTUH = Watts x 3.413 = 2474

5. Calculate net cooling capacities.

Net total cooling = 46,700 – 2474 = 44,226 BTUH [12.96 kW]
 Net sensible cooling = 33,716 – 2474 = 31.242 BTUH [9.16 kW]

[] Designates Metric Conversions



NOMINAL SIZES 3-6 TONS [10.6-21.1 kW]

Model RJNL - Series	C036CL	C036CM	C036DL	C036DM
Cooling Performance¹				CONTINUED →
Gross Cooling Capacity Btu [kW]	37,800 [11.08]	37,800 [11.08]	37,800 [11.08]	37,800 [11.08]
EER/SEER ²	11.5/13	11.5/13	11.5/13	11.5/13
Nominal CFM/AHRI Rated CFM [L/s]	1200/1200 [566/566]	1200/1200 [566/566]	1200/1200 [566/566]	1200/1200 [566/566]
AHRI Net Cooling Capacity Btu [kW]	36,200 [10.61]	36,200 [10.61]	36,200 [10.61]	36,200 [10.61]
Net Sensible Capacity Btu [kW]	27,000 [7.91]	27,000 [7.91]	27,000 [7.91]	27,000 [7.91]
Net Latent Capacity Btu [kW]	9,200 [2.7]	9,200 [2.7]	9,200 [2.7]	9,200 [2.7]
Net System Power kW	3.1	3.1	3.1	3.1
Heating Performance (Heat Pumps)				
Heating Temp. Btuh [kW] Rating	34,400 [10.08]	34,400 [10.08]	34,400 [10.08]	34,400 [10.08]
System Power KW/COP	2.94/3.4	2.94/3.4	2.94/3.4	2.94/3.4
Low Temp. Btuh [kW] Rating	19,600 [5.74]	19,600 [5.74]	19,600 [5.74]	19,600 [5.74]
System Power KW/COP	2.72/2.1	2.72/2.1	2.72/2.1	2.72/2.1
HSPF (Btu/Watts-hr)	7.7	7.7	7.7	7.7
Compressor				
No./Type	1/Scroll	1/Scroll	1/Scroll	1/Scroll
Outdoor Sound Rating (dB)³	83	83	83	83
Outdoor Coil—Fin Type	Louvered	Louvered	Louvered	Louvered
Tube Type	Rifled	Rifled	Rifled	Rifled
Tube Size in. [mm] OD	0.375 [9.5]	0.375 [9.5]	0.375 [9.5]	0.375 [9.5]
Face Area sq. ft. [sq. m]	16.89 [1.57]	16.89 [1.57]	16.89 [1.57]	16.89 [1.57]
Rows / FPI [FPcm]	1 / 22 [9]	1 / 22 [9]	1 / 22 [9]	1 / 22 [9]
Refrigerant Control	TX Valves	TX Valves	TX Valves	TX Valves
Indoor Coil—Fin Type	Louvered	Louvered	Louvered	Louvered
Tube Type	Rifled	Rifled	Rifled	Rifled
Tube Size in. [mm]	0.375 [9.5]	0.375 [9.5]	0.375 [9.5]	0.375 [9.5]
Face Area sq. ft. [sq. m]	5.16 [0.48]	5.16 [0.48]	5.16 [0.48]	5.16 [0.48]
Rows / FPI [FPcm]	3 / 13 [5]	3 / 13 [5]	3 / 13 [5]	3 / 13 [5]
Refrigerant Control	TX Valves	TX Valves	TX Valves	TX Valves
Drain Connection No./Size in. [mm]	1/1 [25.4]	1/1 [25.4]	1/1 [25.4]	1/1 [25.4]
Outdoor Fan—Type	Propeller	Propeller	Propeller	Propeller
No. Used/Diameter in. [mm]	1/24 [609.6]	1/24 [609.6]	1/24 [609.6]	1/24 [609.6]
Drive Type/No. Speeds	Direct/1	Direct/1	Direct/1	Direct/1
CFM [L/s]	4000 [1888]	4000 [1888]	4000 [1888]	4000 [1888]
No. Motors/HP	1 at 1/3 HP	1 at 1/3 HP	1 at 1/3 HP	1 at 1/3 HP
Motor RPM	1075	1075	1075	1075
Indoor Fan—Type	FC Centrifugal	FC Centrifugal	FC Centrifugal	FC Centrifugal
No. Used/Diameter in. [mm]	1/10x10 [254x254]	1/10x10 [254x254]	1/10x10 [254x254]	1/10x10 [254x254]
Drive Type/No. Speeds	Belt/Variable	Belt/Variable	Belt/Variable	Belt/Variable
No. Motors	1	1	1	1
Motor HP	1/2	3/4	1/2	3/4
Motor RPM	1725	1725	1725	1725
Motor Frame Size	56	56	56	56
Filter—Type	Disposable	Disposable	Disposable	Disposable
Furnished	Yes	Yes	Yes	Yes
(No.) Size Recommended in. [mm x mm x mm]	(2)1x25x16 [25x635x406]	(2)1x25x16 [25x635x406]	(2)1x25x16 [25x635x406]	(2)1x25x16 [25x635x406]
Refrigerant Charge Oz. [g]	116 [3289]	116 [3289]	116 [3289]	116 [3289]
Weights				
Net Weight lbs. [kg]	517 [235]	517 [235]	517 [235]	517 [235]
Ship Weight lbs. [kg]	532 [241]	532 [241]	532 [241]	532 [241]

See Page 18 for Notes.

[] Designates Metric Conversions

NOMINAL SIZES 3-6 TONS [10.6-21.1 kW]

Model RJNL- Series	C042CL	C042CM	C042DL	C042DM
Cooling Performance¹				CONTINUED →
Gross Cooling Capacity Btu [kW]	44,000 [12.89]	44,000 [12.89]	44,000 [12.89]	44,000 [12.89]
EER/SEER ²	11.2/13	11.2/13	11.2/13	11.2/13
Nominal CFM/AHRI Rated CFM [L/s]	1400/1400 [661/661]	1400/1400 [661/661]	1400/1400 [661/661]	1400/1400 [661/661]
AHRI Net Cooling Capacity Btu [kW]	42,000 [12.31]	42,000 [12.31]	42,000 [12.31]	42,000 [12.31]
Net Sensible Capacity Btu [kW]	31,200 [9.14]	31,200 [9.14]	31,200 [9.14]	31,200 [9.14]
Net Latent Capacity Btu [kW]	10,800 [3.16]	10,800 [3.16]	10,800 [3.16]	10,800 [3.16]
Net System Power kW	3.74	3.74	3.74	3.74
Heating Performance (Heat Pumps)				
Heating Temp. Btuh [kW] Rating	41,000 [12.01]	41,000 [12.01]	41,000 [12.01]	41,000 [12.01]
System Power KW/COP	3.38/3.5	3.38/3.5	3.38/3.5	3.38/3.5
Low Temp. Btuh [kW] Rating	24,400 [7.15]	24,400 [7.15]	24,000 [7.03]	24,400 [7.15]
System Power KW/COP	3.12/2.3	3.12/2.3	3.12/2.3	3.12/2.3
HSPF (Btu/Watts-hr)	7.7	7.7	7.7	7.7
Compressor				
No./Type	1/Scroll	1/Scroll	1/Scroll	1/Scroll
Outdoor Sound Rating (dB)³	83	83	83	83
Outdoor Coil—Fin Type	Louvered	Louvered	Louvered	Louvered
Tube Type	Rifled	Rifled	Rifled	Rifled
Tube Size in. [mm] OD	0.375 [9.5]	0.375 [9.5]	0.375 [9.5]	0.375 [9.5]
Face Area sq. ft. [sq. m]	16.89 [1.57]	16.89 [1.57]	16.89 [1.57]	16.89 [1.57]
Rows / FPI [FPcm]	1 / 22 [9]	1 / 22 [9]	1 / 22 [9]	1 / 22 [9]
Refrigerant Control	TX Valves	TX Valves	TX Valves	TX Valves
Indoor Coil—Fin Type	Louvered	Louvered	Louvered	Louvered
Tube Type	Rifled	Rifled	Rifled	Rifled
Tube Size in. [mm]	0.375 [9.5]	0.375 [9.5]	0.375 [9.5]	0.375 [9.5]
Face Area sq. ft. [sq. m]	5.16 [0.48]	5.16 [0.48]	5.16 [0.48]	5.16 [0.48]
Rows / FPI [FPcm]	3 / 13 [5]	3 / 13 [5]	3 / 13 [5]	3 / 13 [5]
Refrigerant Control	TX Valves	TX Valves	TX Valves	TX Valves
Drain Connection No./Size in. [mm]	1/1 [25.4]	1/1 [25.4]	1/1 [25.4]	1/1 [25.4]
Outdoor Fan—Type	Propeller	Propeller	Propeller	Propeller
No. Used/Diameter in. [mm]	1/24 [609.6]	1/24 [609.6]	1/24 [609.6]	1/24 [609.6]
Drive Type/No. Speeds	Direct/1	Direct/1	Direct/1	Direct/1
CFM [L/s]	4000 [1888]	4000 [1888]	4000 [1888]	4000 [1888]
No. Motors/HP	1 at 1/3 HP	1 at 1/3 HP	1 at 1/3 HP	1 at 1/3 HP
Motor RPM	1075	1075	1075	1075
Indoor Fan—Type	FC Centrifugal	FC Centrifugal	FC Centrifugal	FC Centrifugal
No. Used/Diameter in. [mm]	1/10x10 [254x254]	1/10x10 [254x254]	1/10x10 [254x254]	1/10x10 [254x254]
Drive Type/No. Speeds	Belt/Variable	Belt/Variable	Belt/Variable	Belt/Variable
No. Motors	1	1	1	1
Motor HP	1/2	3/4	1/2	3/4
Motor RPM	1725	1725	1725	1725
Motor Frame Size	56	56	56	56
Filter—Type	Disposable	Disposable	Disposable	Disposable
Furnished	Yes	Yes	Yes	Yes
(No.) Size Recommended in. [mm x mm x mm]	(2)1x25x16 [25x635x406]	(2)1x25x16 [25x635x406]	(2)1x25x16 [25x635x406]	(2)1x25x16 [25x635x406]
Refrigerant Charge Oz. [g]	120 [3402]	120 [3402]	120 [3402]	120 [3402]
Weights				
Net Weight lbs. [kg]	521 [236]	521 [236]	521 [236]	521 [236]
Ship Weight lbs. [kg]	536 [243]	536 [243]	536 [243]	536 [243]

See Page 18 for Notes.

[] Designates Metric Conversions

NOMINAL SIZES 3-6 TONS [10.6-21.1 kW]

Model RJNL- Series	C048CL	C048CM	C048DL	C048DM
Cooling Performance¹				CONTINUED →
Gross Cooling Capacity Btu [kW]	50,000 [14.65]	50,000 [14.65]	50,000 [14.65]	50,000 [14.65]
EER/SEER ²	11.2/13	11.2/13	11.2/13	11.2/13
Nominal CFM/AHRI Rated CFM [L/s]	1600/1600 [755/755]	1600/1600 [755/755]	1600/1600 [755/755]	1600/1600 [755/755]
AHRI Net Cooling Capacity Btu [kW]	47,500 [13.92]	47,500 [13.92]	47,500 [13.92]	47,500 [13.92]
Net Sensible Capacity Btu [kW]	35,700 [10.46]	35,700 [10.46]	35,700 [10.46]	35,700 [10.46]
Net Latent Capacity Btu [kW]	11,800 [3.46]	11,800 [3.46]	11,800 [3.46]	11,800 [3.46]
Net System Power kW	4.22	4.22	4.22	4.22
Heating Performance (Heat Pumps)				
Heating Temp. Btuh [kW] Rating	49,000 [14.36]	49,000 [14.36]	49,000 [14.36]	49,000 [14.36]
System Power KW/COP	3.93/3.6	3.93/3.6	3.93/3.6	3.93/3.6
Low Temp. Btuh [kW] Rating	29,000 [8.5]	29,000 [8.5]	29,000 [8.5]	29,000 [8.5]
System Power KW/COP	3.63/2.3	3.63/2.3	3.63/2.3	3.63/2.3
HSPF (Btu/Watts-hr)	7.7	7.7	7.7	7.7
Compressor				
No./Type	1/Scroll	1/Scroll	1/Scroll	1/Scroll
Outdoor Sound Rating (dB)³	83	83	83	83
Outdoor Coil—Fin Type	Louvered	Louvered	Louvered	Louvered
Tube Type	Rifled	Rifled	Rifled	Rifled
Tube Size in. [mm] OD	0.375 [9.5]	0.375 [9.5]	0.375 [9.5]	0.375 [9.5]
Face Area sq. ft. [sq. m]	16.56 [1.54]	16.56 [1.54]	16.56 [1.54]	16.56 [1.54]
Rows / FPI [FPcm]	2 / 22 [9]	2 / 22 [9]	2 / 22 [9]	2 / 22 [9]
Refrigerant Control	TX Valves	TX Valves	TX Valves	TX Valves
Indoor Coil—Fin Type	Louvered	Louvered	Louvered	Louvered
Tube Type	Rifled	Rifled	Rifled	Rifled
Tube Size in. [mm]	0.375 [9.5]	0.375 [9.5]	0.375 [9.5]	0.375 [9.5]
Face Area sq. ft. [sq. m]	5.16 [0.48]	5.16 [0.48]	5.16 [0.48]	5.16 [0.48]
Rows / FPI [FPcm]	4 / 13 [5]	4 / 13 [5]	4 / 13 [5]	4 / 13 [5]
Refrigerant Control	TX Valves	TX Valves	TX Valves	TX Valves
Drain Connection No./Size in. [mm]	1/1 [25.4]	1/1 [25.4]	1/1 [25.4]	1/1 [25.4]
Outdoor Fan—Type	Propeller	Propeller	Propeller	Propeller
No. Used/Diameter in. [mm]	1/24 [609.6]	1/24 [609.6]	1/24 [609.6]	1/24 [609.6]
Drive Type/No. Speeds	Direct/1	Direct/1	Direct/1	Direct/1
CFM [L/s]	4000 [1888]	4000 [1888]	4000 [1888]	4000 [1888]
No. Motors/HP	1 at 1/3 HP	1 at 1/3 HP	1 at 1/3 HP	1 at 1/3 HP
Motor RPM	1075	1075	1075	1075
Indoor Fan—Type	FC Centrifugal	FC Centrifugal	FC Centrifugal	FC Centrifugal
No. Used/Diameter in. [mm]	1/10x10 [254x254]	1/10x10 [254x254]	1/10x10 [254x254]	1/10x10 [254x254]
Drive Type/No. Speeds	Belt/Variable	Belt/Variable	Belt/Variable	Belt/Variable
No. Motors	1	1	1	1
Motor HP	1/2	3/4	1/2	3/4
Motor RPM	1725	1725	1725	1725
Motor Frame Size	56	56	56	56
Filter—Type	Disposable	Disposable	Disposable	Disposable
Furnished	Yes	Yes	Yes	Yes
(No.) Size Recommended in. [mm x mm x mm]	(2)1x25x16 [25x635x406]	(2)1x25x16 [25x635x406]	(2)1x25x16 [25x635x406]	(2)1x25x16 [25x635x406]
Refrigerant Charge Oz. [g]	187 [5301]	187 [5301]	187 [5301]	187 [5301]
Weights				
Net Weight lbs. [kg]	535 [243]	535 [243]	535 [243]	535 [243]
Ship Weight lbs. [kg]	550 [249]	550 [249]	550 [249]	550 [249]

See Page 18 for Notes.

[] Designates Metric Conversions

NOMINAL SIZES 3-6 TONS [10.6-21.1 kW]

Model RJNL- Series	C060CL	C060CM	C060DL	C060DM
Cooling Performance¹				CONTINUED →
Gross Cooling Capacity Btu [kW]	61,500 [18.02]	61,500 [18.02]	61,500 [18.02]	61,500 [18.02]
EER/SEER ²	11.5/13	11.5/13	11.5/13	11.5/13
Nominal CFM/AHRI Rated CFM [L/s]	2000/2000 [944/944]	2000/2000 [944/944]	2000/2000 [944/944]	2000/2000 [944/944]
AHRI Net Cooling Capacity Btu [kW]	59,000 [17.29]	59,000 [17.29]	59,000 [17.29]	59,000 [17.29]
Net Sensible Capacity Btu [kW]	44,050 [12.91]	44,050 [12.91]	44,050 [12.91]	44,050 [12.91]
Net Latent Capacity Btu [kW]	14,950 [4.38]	14,950 [4.38]	14,950 [4.38]	14,950 [4.38]
Net System Power kW	5.04	5.04	5.04	5.04
Heating Performance (Heat Pumps)				
Heating Temp. Btuh [kW] Rating	60,000 [17.58]	60,000 [17.58]	60,000 [17.58]	60,000 [17.58]
System Power KW/COP	4.78/3.6	4.78/3.6	4.78/3.6	4.78/3.6
Low Temp. Btuh [kW] Rating	35,800 [10.49]	35,800 [10.49]	35,800 [10.49]	35,800 [10.49]
System Power KW/COP	4.31/2.4	4.31/2.4	4.31/2.4	4.31/2.4
HSPF (Btu/Watts-hr)	7.7	7.7	7.7	7.7
Compressor				
No./Type	1/Scroll	1/Scroll	1/Scroll	1/Scroll
Outdoor Sound Rating (dB)³	83	83	83	83
Outdoor Coil—Fin Type	Louvered	Louvered	Louvered	Louvered
Tube Type	Rifled	Rifled	Rifled	Rifled
Tube Size in. [mm] OD	0.375 [9.5]	0.375 [9.5]	0.375 [9.5]	0.375 [9.5]
Face Area sq. ft. [sq. m]	16.56 [1.54]	16.56 [1.54]	16.56 [1.54]	16.56 [1.54]
Rows / FPI [FPcm]	2 / 22 [9]	2 / 22 [9]	2 / 22 [9]	2 / 22 [9]
Refrigerant Control	TX Valves	TX Valves	TX Valves	TX Valves
Indoor Coil—Fin Type	Louvered	Louvered	Louvered	Louvered
Tube Type	Rifled	Rifled	Rifled	Rifled
Tube Size in. [mm]	0.375 [9.5]	0.375 [9.5]	0.375 [9.5]	0.375 [9.5]
Face Area sq. ft. [sq. m]	5.16 [0.48]	5.16 [0.48]	5.16 [0.48]	5.16 [0.48]
Rows / FPI [FPcm]	4 / 13 [5]	4 / 13 [5]	4 / 13 [5]	4 / 13 [5]
Refrigerant Control	TX Valves	TX Valves	TX Valves	TX Valves
Drain Connection No./Size in. [mm]	1/1 [25.4]	1/1 [25.4]	1/1 [25.4]	1/1 [25.4]
Outdoor Fan—Type	Propeller	Propeller	Propeller	Propeller
No. Used/Diameter in. [mm]	1/24 [609.6]	1/24 [609.6]	1/24 [609.6]	1/24 [609.6]
Drive Type/No. Speeds	Direct/1	Direct/1	Direct/1	Direct/1
CFM [L/s]	4000 [1888]	4000 [1888]	4000 [1888]	4000 [1888]
No. Motors/HP	1 at 1/3 HP	1 at 1/3 HP	1 at 1/3 HP	1 at 1/3 HP
Motor RPM	1075	1075	1075	1075
Indoor Fan—Type	FC Centrifugal	FC Centrifugal	FC Centrifugal	FC Centrifugal
No. Used/Diameter in. [mm]	1/10x10 [254x254]	1/10x10 [254x254]	1/10x10 [254x254]	1/10x10 [254x254]
Drive Type/No. Speeds	Belt/Variable	Belt/Variable	Belt/Variable	Belt/Variable
No. Motors	1	1	1	1
Motor HP	3/4	1	3/4	1
Motor RPM	1725	1725	1725	1725
Motor Frame Size	56	56	56	56
Filter—Type	Disposable	Disposable	Disposable	Disposable
Furnished	Yes	Yes	Yes	Yes
(No.) Size Recommended in. [mm x mm x mm]	(2)1x25x16 [25x635x406]	(2)1x25x16 [25x635x406]	(2)1x25x16 [25x635x406]	(2)1x25x16 [25x635x406]
Refrigerant Charge Oz. [g]	197 [5585]	197 [5585]	197 [5585]	197 [5585]
Weights				
Net Weight lbs. [kg]	565 [256]	565 [256]	565 [256]	565 [256]
Ship Weight lbs. [kg]	580 [263]	580 [263]	580 [263]	580 [263]

See Page 18 for Notes.

[] Designates Metric Conversions

NOMINAL SIZES 3-6 TONS [10.6-21.1 kW]

Model RJNL- Series	C072CL	C072CM	C072DL	C072DM
Cooling Performance¹				
Gross Cooling Capacity Btu [kW]	73,000 [21.39]	73,000 [21.39]	73,000 [21.39]	73,000 [21.39]
EER/SEER ²	11/NA	11/NA	11/NA	11/NA
Nominal CFM/AHRI Rated CFM [L/s]	2400/2125 [1133/1003]	2400/2125 [1133/1003]	2400/2125 [1133/1003]	2400/2125 [1133/1003]
AHRI Net Cooling Capacity Btu [kW]	70,000 [20.51]	70,000 [20.51]	70,000 [20.51]	70,000 [20.51]
Net Sensible Capacity Btu [kW]	50,700 [14.85]	50,700 [14.85]	50,700 [14.85]	50,700 [14.85]
Net Latent Capacity Btu [kW]	19,300 [5.65]	19,300 [5.65]	19,300 [5.65]	19,300 [5.65]
IEER ⁴	13.2	13.2	13.2	13.2
Net System Power kW	6.37	6.37	6.37	6.37
Heating Performance (Heat Pumps)				
High Temp. Btuh [kW] Rating	68,000 [19.92]	68,000 [19.92]	68,000 [19.92]	68,000 [19.92]
System Power KW/COP	5.79/3.44	5.79/3.44	5.79/3.44	5.79/3.44
Low Temp. Btuh [kW] Rating	41,000 [12.01]	41,000 [12.01]	41,000 [12.01]	41,000 [12.01]
System Power KW/COP	5.22/2.3	5.22/2.3	5.22/2.3	5.22/2.3
Compressor				
No./Type	1/Scroll	1/Scroll	1/Scroll	1/Scroll
Outdoor Sound Rating (dB)³				
	83	83	83	83
Outdoor Coil—Fin Type				
Tube Type	Louvered	Louvered	Louvered	Louvered
Tube Size in. [mm] OD	Rifled	Rifled	Rifled	Rifled
Face Area sq. ft. [sq. m]	0.375 [9.5]	0.375 [9.5]	0.375 [9.5]	0.375 [9.5]
Rows / FPI [FPcm]	16.56 [1.54]	16.56 [1.54]	16.56 [1.54]	16.56 [1.54]
Refrigerant Control	2 / 22 [9]	2 / 22 [9]	2 / 22 [9]	2 / 22 [9]
	TX Valves	TX Valves	TX Valves	TX Valves
Indoor Coil—Fin Type				
Tube Type	Louvered	Louvered	Louvered	Louvered
Tube Size in. [mm]	Rifled	Rifled	Rifled	Rifled
Face Area sq. ft. [sq. m]	0.375 [9.5]	0.375 [9.5]	0.375 [9.5]	0.375 [9.5]
Rows / FPI [FPcm]	6.5 [0.6]	6.5 [0.6]	6.5 [0.6]	6.5 [0.6]
Refrigerant Control	4 / 13 [5]	4 / 13 [5]	4 / 13 [5]	4 / 13 [5]
	TX Valves	TX Valves	TX Valves	TX Valves
Drain Connection No./Size in. [mm]	1/1 [25.4]	1/1 [25.4]	1/1 [25.4]	1/1 [25.4]
Outdoor Fan—Type				
No. Used/Diameter in. [mm]	Propeller	Propeller	Propeller	Propeller
Drive Type/No. Speeds	1/24 [609.6]	1/24 [609.6]	1/24 [609.6]	1/24 [609.6]
CFM [L/s]	Direct/1	Direct/1	Direct/1	Direct/1
No. Motors/HP	4000 [1888]	4000 [1888]	4000 [1888]	4000 [1888]
Motor RPM	1 at 1/3 HP	1 at 1/3 HP	1 at 1/3 HP	1 at 1/3 HP
	1075	1075	1075	1075
Indoor Fan—Type				
No. Used/Diameter in. [mm]	FC Centrifugal	FC Centrifugal	FC Centrifugal	FC Centrifugal
Drive Type/No. Speeds	1/11x11 [279x279]	1/11x11 [279x279]	1/11x11 [279x279]	1/11x11 [279x279]
No. Motors	Belt/Variable	Belt/Variable	Belt/Variable	Belt/Variable
Motor HP	1	1	1	1
Motor RPM	1 1/2	1 1/2	1 1/2	1 1/2
Motor Frame Size	1725	1725	1725	1725
	56	56	56	56
Filter—Type				
Furnished	Disposable	Disposable	Disposable	Disposable
(No.) Size Recommended in. [mm x mm x mm]	Yes	Yes	Yes	Yes
	(4)1x16x16 [25x406x406]	(4)1x16x16 [25x406x406]	(4)1x16x16 [25x406x406]	(4)1x16x16 [25x406x406]
Refrigerant Charge Oz. [g]				
	221 [6265]	221 [6265]	221 [6265]	221 [6265]
Weights				
Net Weight lbs. [kg]	620 [281]	620 [281]	620 [281]	620 [281]
Ship Weight lbs. [kg]	635 [288]	635 [288]	635 [288]	635 [288]

See Page 18 for Notes.

[] Designates Metric Conversions

NOMINAL SIZES 3-5 TONS [10.6-17.6 kW]

Model RJPL- Series	C036CL	C036CM	C036DL	C036DM
Cooling Performance¹				CONTINUED →
Gross Cooling Capacity Btu [kW]	38,500 [11.28]	38,500 [11.28]	38,500 [11.28]	38,500 [11.28]
EER/SEER ²	12/14	12/14	12/14	12/14
Nominal CFM/AHRI Rated CFM [L/s]	1200/1200 [566/566]	1200/1200 [566/566]	1200/1200 [566/566]	1200/1200 [566/566]
AHRI Net Cooling Capacity Btu [kW]	36,800 [10.78]	36,800 [10.78]	36,800 [10.78]	36,800 [10.78]
Net Sensible Capacity Btu [kW]	27,200 [7.97]	27,200 [7.97]	27,200 [7.97]	27,200 [7.97]
Net Latent Capacity Btu [kW]	9,600 [2.81]	9,600 [2.81]	9,600 [2.81]	9,600 [2.81]
Net System Power kW	2.99	2.99	2.99	2.99
Heating Performance (Heat Pumps)				
Heating Temp. Btuh [kW] Rating	33,600 [9.84]	33,600 [9.84]	33,600 [9.84]	33,600 [9.84]
System Power KW/COP	2.79/3.48	2.79/3.48	2.79/3.48	2.79/3.48
Low Temp. Btuh [kW] Rating	19,400 [5.68]	19,400 [5.68]	19,400 [5.68]	19,400 [5.68]
System Power KW/COP	2.56/2.22	2.56/2.22	2.56/2.22	2.56/2.22
HSPF (Btu/Watts-hr)	8	8	8	8
Compressor				
No./Type	1/Scroll	1/Scroll	1/Scroll	1/Scroll
Outdoor Sound Rating (dB)³	83	83	83	83
Outdoor Coil—Fin Type	Louvered	Louvered	Louvered	Louvered
Tube Type	Rifled	Rifled	Rifled	Rifled
Tube Size in. [mm] OD	0.375 [9.5]	0.375 [9.5]	0.375 [9.5]	0.375 [9.5]
Face Area sq. ft. [sq. m]	16.89 [1.57]	16.89 [1.57]	16.89 [1.57]	16.89 [1.57]
Rows / FPI [FPcm]	1 / 22 [9]	1 / 22 [9]	1 / 22 [9]	1 / 22 [9]
Refrigerant Control	TX Valves	TX Valves	TX Valves	TX Valves
Indoor Coil—Fin Type	Louvered	Louvered	Louvered	Louvered
Tube Type	Rifled	Rifled	Rifled	Rifled
Tube Size in. [mm]	0.375 [9.5]	0.375 [9.5]	0.375 [9.5]	0.375 [9.5]
Face Area sq. ft. [sq. m]	5.16 [0.48]	5.16 [0.48]	5.16 [0.48]	5.16 [0.48]
Rows / FPI [FPcm]	3 / 13 [5]	3 / 13 [5]	3 / 13 [5]	3 / 13 [5]
Refrigerant Control	TX Valves	TX Valves	TX Valves	TX Valves
Drain Connection No./Size in. [mm]	1/1 [25.4]	1/1 [25.4]	1/1 [25.4]	1/1 [25.4]
Outdoor Fan—Type	Propeller	Propeller	Propeller	Propeller
No. Used/Diameter in. [mm]	1/24 [609.6]	1/24 [609.6]	1/24 [609.6]	1/24 [609.6]
Drive Type/No. Speeds	Direct/1	Direct/1	Direct/1	Direct/1
CFM [L/s]	4000 [1888]	4000 [1888]	4000 [1888]	4000 [1888]
No. Motors/HP	1 at 1/3 HP	1 at 1/3 HP	1 at 1/3 HP	1 at 1/3 HP
Motor RPM	1075	1075	1075	1075
Indoor Fan—Type	FC Centrifugal	FC Centrifugal	FC Centrifugal	FC Centrifugal
No. Used/Diameter in. [mm]	1/10x10 [254x254]	1/10x10 [254x254]	1/10x10 [254x254]	1/10x10 [254x254]
Drive Type/No. Speeds	Belt/Variable	Belt/Variable	Belt/Variable	Belt/Variable
No. Motors	1	1	1	1
Motor HP	1/2	3/4	1/2	3/4
Motor RPM	1725	1725	1725	1725
Motor Frame Size	56	56	56	56
Filter—Type	Disposable	Disposable	Disposable	Disposable
Furnished	Yes	Yes	Yes	Yes
(No.) Size Recommended in. [mm]	(2)1x25x16 [25x635x406]	(2)1x25x16 [25x635x406]	(2)1x25x16 [25x635x406]	(2)1x25x16 [25x635x406]
Refrigerant Charge Oz. [g]	116 [3289]	116 [3289]	116 [3289]	116 [3289]
Weights				
Net Weight lbs. [kg]	517 [235]	517 [235]	517 [235]	517 [235]
Ship Weight lbs. [kg]	532 [241]	532 [241]	532 [241]	532 [241]

See Page 18 for Notes.

[] Designates Metric Conversions

NOMINAL SIZES 3-5 TONS [10.6-17.6 kW]

Model RJPL - Series	C042CL	C042CM	C042DL	C042DM
Cooling Performance¹				CONTINUED →
Gross Cooling Capacity Btu [kW]	44,000 [12.89]	44,000 [12.89]	44,000 [12.89]	44,000 [12.89]
EER/SEER ²	11.6/14	11.6/14	11.6/14	11.6/14
Nominal CFM/AHRI Rated CFM [L/s]	1400/1400 [661/661]	1400/1400 [661/661]	1400/1400 [661/661]	1400/1400 [661/661]
AHRI Net Cooling Capacity Btu [kW]	42,000 [12.31]	42,000 [12.31]	42,000 [12.31]	42,000 [12.31]
Net Sensible Capacity Btu [kW]	31,750 [9.3]	31,750 [9.3]	31,750 [9.3]	31,750 [9.3]
Net Latent Capacity Btu [kW]	10,250 [3]	10,250 [3]	10,250 [3]	10,250 [3]
Net System Power kW	3.64	3.64	3.64	3.64
Heating Performance (Heat Pumps)				
Heating Temp. Btuh [kW] Rating	40,000 [11.72]	40,000 [11.72]	40,000 [11.72]	40,000 [11.72]
System Power KW/COP	3.23/3.6	3.23/3.6	3.23/3.6	3.23/3.6
Low Temp. Btuh [kW] Rating	24,200 [7.09]	24,200 [7.09]	24,200 [7.09]	24,200 [7.09]
System Power KW/COP	2.94/2.4	2.94/2.4	2.94/2.4	2.94/2.4
HSPF (Btu/Watts-hr)	8	8	8	8
Compressor				
No./Type	1/Scroll	1/Scroll	1/Scroll	1/Scroll
Outdoor Sound Rating (dB)³	83	83	83	83
Outdoor Coil—Fin Type	Louvered	Louvered	Louvered	Louvered
Tube Type	Rifled	Rifled	Rifled	Rifled
Tube Size in. [mm] OD	0.375 [9.5]	0.375 [9.5]	0.375 [9.5]	0.375 [9.5]
Face Area sq. ft. [sq. m]	16.89 [1.57]	16.89 [1.57]	16.89 [1.57]	16.89 [1.57]
Rows / FPI [FPcm]	1 / 22 [9]	1 / 22 [9]	1 / 22 [9]	1 / 22 [9]
Refrigerant Control	TX Valves	TX Valves	TX Valves	TX Valves
Indoor Coil—Fin Type	Louvered	Louvered	Louvered	Louvered
Tube Type	Rifled	Rifled	Rifled	Rifled
Tube Size in. [mm]	0.375 [9.5]	0.375 [9.5]	0.375 [9.5]	0.375 [9.5]
Face Area sq. ft. [sq. m]	5.16 [0.48]	5.16 [0.48]	5.16 [0.48]	5.16 [0.48]
Rows / FPI [FPcm]	3 / 13 [5]	3 / 13 [5]	3 / 13 [5]	3 / 13 [5]
Refrigerant Control	TX Valves	TX Valves	TX Valves	TX Valves
Drain Connection No./Size in. [mm]	1/1 [25.4]	1/1 [25.4]	1/1 [25.4]	1/1 [25.4]
Outdoor Fan—Type	Propeller	Propeller	Propeller	Propeller
No. Used/Diameter in. [mm]	1/24 [609.6]	1/24 [609.6]	1/24 [609.6]	1/24 [609.6]
Drive Type/No. Speeds	Direct/1	Direct/1	Direct/1	Direct/1
CFM [L/s]	4000 [1888]	4000 [1888]	4000 [1888]	4000 [1888]
No. Motors/HP	1 at 1/3 HP	1 at 1/3 HP	1 at 1/3 HP	1 at 1/3 HP
Motor RPM	1075	1075	1075	1075
Indoor Fan—Type	FC Centrifugal	FC Centrifugal	FC Centrifugal	FC Centrifugal
No. Used/Diameter in. [mm]	1/10x10 [254x254]	1/10x10 [254x254]	1/10x10 [254x254]	1/10x10 [254x254]
Drive Type/No. Speeds	Belt/Variable	Belt/Variable	Belt/Variable	Belt/Variable
No. Motors	1	1	1	1
Motor HP	1/2	3/4	1/2	3/4
Motor RPM	1725	1725	1725	1725
Motor Frame Size	56	56	56	56
Filter—Type	Disposable	Disposable	Disposable	Disposable
Furnished	Yes	Yes	Yes	Yes
(No.) Size Recommended in. [mm]	(2)1x25x16 [25x635x406]	(2)1x25x16 [25x635x406]	(2)1x25x16 [25x635x406]	(2)1x25x16 [25x635x406]
Refrigerant Charge Oz. [g]	120 [3402]	120 [3402]	120 [3402]	120 [3402]
Weights				
Net Weight lbs. [kg]	521 [236]	521 [236]	521 [236]	521 [236]
Ship Weight lbs. [kg]	536 [243]	536 [243]	536 [243]	536 [243]

See Page 18 for Notes.

[] Designates Metric Conversions



NOMINAL SIZES 3-5 TONS [10.6-17.6 kW]

Model RJPL- Series	C048CL	C048CM	C048DL	C048DM
Cooling Performance¹				CONTINUED →
Gross Cooling Capacity Btu [kW]	50,000 [14.65]	50,000 [14.65]	50,000 [14.65]	50,000 [14.65]
EER/SEER ²	11.6/14	11.6/14	11.6/14	11.6/14
Nominal CFM/AHRI Rated CFM [L/s]	1600/1600 [755/755]	1600/1600 [755/755]	1600/1600 [755/755]	1600/1600 [755/755]
AHRI Net Cooling Capacity Btu [kW]	47,500 [13.92]	47,500 [13.92]	47,500 [13.92]	47,500 [13.92]
Net Sensible Capacity Btu [kW]	36,200 [10.61]	36,200 [10.61]	36,200 [10.61]	36,200 [10.61]
Net Latent Capacity Btu [kW]	11,300 [3.31]	11,300 [3.31]	11,300 [3.31]	11,300 [3.31]
Net System Power kW	4.09	4.09	4.09	4.09
Heating Performance (Heat Pumps)				
Heating Temp. Btuh [kW] Rating	49,000 [14.36]	49,000 [14.36]	49,000 [14.36]	49,000 [14.36]
System Power KW/COP	3.76/3.8	3.76/3.8	3.76/3.8	3.76/3.8
Low Temp. Btuh [kW] Rating	29,800 [8.73]	29,800 [8.73]	29,800 [8.73]	29,800 [8.73]
System Power KW/COP	3.48/2.4	3.48/2.4	3.48/2.4	3.48/2.4
HSPF (Btu/Watts-hr)	8	8	8	8
Compressor				
No./Type	1/Scroll	1/Scroll	1/Scroll	1/Scroll
Outdoor Sound Rating (dB)³	83	83	83	83
Outdoor Coil—Fin Type	Louvered	Louvered	Louvered	Louvered
Tube Type	Rifled	Rifled	Rifled	Rifled
Tube Size in. [mm] OD	0.375 [9.5]	0.375 [9.5]	0.375 [9.5]	0.375 [9.5]
Face Area sq. ft. [sq. m]	16.56 [1.54]	16.56 [1.54]	16.56 [1.54]	16.56 [1.54]
Rows / FPI [FPcm]	2 / 22 [9]	2 / 22 [9]	2 / 22 [9]	2 / 22 [9]
Refrigerant Control	TX Valves	TX Valves	TX Valves	TX Valves
Indoor Coil—Fin Type	Louvered	Louvered	Louvered	Louvered
Tube Type	Rifled	Rifled	Rifled	Rifled
Tube Size in. [mm]	0.375 [9.5]	0.375 [9.5]	0.375 [9.5]	0.375 [9.5]
Face Area sq. ft. [sq. m]	5.16 [0.48]	5.16 [0.48]	5.16 [0.48]	5.16 [0.48]
Rows / FPI [FPcm]	4 / 13 [5]	4 / 13 [5]	4 / 13 [5]	4 / 13 [5]
Refrigerant Control	TX Valves	TX Valves	TX Valves	TX Valves
Drain Connection No./Size in. [mm]	1/1 [25.4]	1/1 [25.4]	1/1 [25.4]	1/1 [25.4]
Outdoor Fan—Type	Propeller	Propeller	Propeller	Propeller
No. Used/Diameter in. [mm]	1/24 [609.6]	1/24 [609.6]	1/24 [609.6]	1/24 [609.6]
Drive Type/No. Speeds	Direct/1	Direct/1	Direct/1	Direct/1
CFM [L/s]	4000 [1888]	4000 [1888]	4000 [1888]	4000 [1888]
No. Motors/HP	1 at 1/3 HP	1 at 1/3 HP	1 at 1/3 HP	1 at 1/3 HP
Motor RPM	1075	1075	1075	1075
Indoor Fan—Type	FC Centrifugal	FC Centrifugal	FC Centrifugal	FC Centrifugal
No. Used/Diameter in. [mm]	1/10x10 [254x254]	1/10x10 [254x254]	1/10x10 [254x254]	1/10x10 [254x254]
Drive Type/No. Speeds	Belt/Variable	Belt/Variable	Belt/Variable	Belt/Variable
No. Motors	1	1	1	1
Motor HP	1/2	3/4	1/2	3/4
Motor RPM	1725	1725	1725	1725
Motor Frame Size	56	56	56	56
Filter—Type	Disposable	Disposable	Disposable	Disposable
Furnished	Yes	Yes	Yes	Yes
(No.) Size Recommended in. [mm]	(2)1x25x16 [25x635x406]	(2)1x25x16 [25x635x406]	(2)1x25x16 [25x635x406]	(2)1x25x16 [25x635x406]
Refrigerant Charge Oz. [g]	187 [5301]	187 [5301]	187 [5301]	187 [5301]
Weights				
Net Weight lbs. [kg]	535 [243]	535 [243]	535 [243]	535 [243]
Ship Weight lbs. [kg]	550 [249]	550 [249]	550 [249]	550 [249]

See Page 18 for Notes.

[] Designates Metric Conversions

NOMINAL SIZES 3-5 TONS [10.6-17.6 kW]

Model RJPL- Series	C060CL	C060CM	C060DL	C060DM
Cooling Performance¹				
Gross Cooling Capacity Btu [kW]	61,000 [17.87]	61,000 [17.87]	61,000 [17.87]	61,000 [17.87]
EER/SEER ²	11.7/14	11.7/14	11.7/14	11.7/14
Nominal CFM/AHRI Rated CFM [L/s]	2000/1850 [944/873]	2000/1850 [944/873]	2000/1850 [944/873]	2000/1850 [944/873]
AHRI Net Cooling Capacity Btu [kW]	59,500 [17.43]	59,500 [17.43]	59,500 [17.43]	59,500 [17.43]
Net Sensible Capacity Btu [kW]	43,600 [12.77]	43,600 [12.77]	43,600 [12.77]	43,600 [12.77]
Net Latent Capacity Btu [kW]	15,900 [4.66]	15,900 [4.66]	15,900 [4.66]	15,900 [4.66]
Net System Power kW	5.05	5.05	5.05	5.05
Heating Performance (Heat Pumps)				
Heating Temp. Btuh [kW] Rating	59,500 [17.43]	59,500 [17.43]	59,500 [17.43]	59,500 [17.43]
System Power KW/COP	4.8/3.6	4.8/3.6	4.8/3.6	4.8/3.6
Low Temp. Btuh [kW] Rating	36,400 [10.67]	36,400 [10.67]	36,400 [10.67]	36,400 [10.67]
System Power KW/COP	4.47/2.2	4.47/2.2	4.47/2.2	4.47/2.2
HSPF (Btu/Watts-hr)	8	8	8	8
Compressor				
No./Type	1/Scroll	1/Scroll	1/Scroll	1/Scroll
Outdoor Sound Rating (dB)³				
	83	83	83	83
Outdoor Coil—Fin Type				
Tube Type	Louvered	Louvered	Louvered	Louvered
Tube Size in. [mm] OD	Rifled	Rifled	Rifled	Rifled
Face Area sq. ft. [sq. m]	0.375 [9.5]	0.375 [9.5]	0.375 [9.5]	0.375 [9.5]
Rows / FPI [FPcm]	16.56 [1.54]	16.56 [1.54]	16.56 [1.54]	16.56 [1.54]
Refrigerant Control	2 / 22 [9]	2 / 22 [9]	2 / 22 [9]	2 / 22 [9]
	TX Valves	TX Valves	TX Valves	TX Valves
Indoor Coil—Fin Type				
Tube Type	Louvered	Louvered	Louvered	Louvered
Tube Size in. [mm]	Rifled	Rifled	Rifled	Rifled
Face Area sq. ft. [sq. m]	0.375 [9.5]	0.375 [9.5]	0.375 [9.5]	0.375 [9.5]
Rows / FPI [FPcm]	5.16 [0.48]	5.16 [0.48]	5.16 [0.48]	5.16 [0.48]
Refrigerant Control	4 / 13 [5]	4 / 13 [5]	4 / 13 [5]	4 / 13 [5]
Drain Connection No./Size in. [mm]	TX Valves	TX Valves	TX Valves	TX Valves
	1/1 [25.4]	1/1 [25.4]	1/1 [25.4]	1/1 [25.4]
Outdoor Fan—Type				
No. Used/Diameter in. [mm]	Propeller	Propeller	Propeller	Propeller
Drive Type/No. Speeds	1/24 [609.6]	1/24 [609.6]	1/24 [609.6]	1/24 [609.6]
CFM [L/s]	Direct/1	Direct/1	Direct/1	Direct/1
No. Motors/HP	4000 [1888]	4000 [1888]	4000 [1888]	4000 [1888]
Motor RPM	1 at 1/3 HP	1 at 1/3 HP	1 at 1/3 HP	1 at 1/3 HP
	1075	1075	1075	1075
Indoor Fan—Type				
No. Used/Diameter in. [mm]	FC Centrifugal	FC Centrifugal	FC Centrifugal	FC Centrifugal
Drive Type/No. Speeds	1/10x10 [254x254]	1/10x10 [254x254]	1/10x10 [254x254]	1/10x10 [254x254]
No. Motors	Belt/Variable	Belt/Variable	Belt/Variable	Belt/Variable
Motor HP	1	1	1	1
Motor RPM	3/4	1	3/4	1
Motor Frame Size	1725	1725	1725	1725
	56	56	56	56
Filter—Type				
Furnished	Disposable	Disposable	Disposable	Disposable
(No.) Size Recommended in. [mm]	Yes	Yes	Yes	Yes
	(2)1x25x16 [25x635x406]	(2)1x25x16 [25x635x406]	(2)1x25x16 [25x635x406]	(2)1x25x16 [25x635x406]
Refrigerant Charge Oz. [g]				
	197 [5585]	197 [5585]	197 [5585]	197 [5585]
Weights				
Net Weight lbs. [kg]	565 [256]	565 [256]	565 [256]	565 [256]
Ship Weight lbs. [kg]	580 [263]	580 [263]	580 [263]	580 [263]

See Page 18 for Notes.

[] Designates Metric Conversions



NOTES:

1. Cooling Performance is rated at 95° F ambient, 80° F entering dry bulb, 67° F entering wet bulb. Gross capacity does not include the effect of fan motor heat. AHRI capacity is net and includes the effect of fan motor heat. Units are suitable for operation to $\pm 20\%$ of nominal cfm. Units are certified in accordance with the Unitary Air Conditioner Equipment certification program, which is based on AHRI Standard 210/240 or 360.
2. EER and/or SEER are rated at AHRI conditions and in accordance with DOE test procedures.
3. Outdoor Sound Rating shown is tested in accordance with AHRI Standard 270.
4. Integrated Energy Efficiency Ratio (IEER) is rated in accordance with AHRI Standard 210/240 or 360.



COOLING PERFORMANCE DATA—RJNL-C036

ENTERING INDOOR AIR @ 80°F [26.7°C] dbE ①											
wbE			71°F [21.7°C]			67°F [19.4°C]			63°F [17.2°C]		
CFM [L/s]			1440 [680]	1200 [566]	960 [453]	1440 [680]	1200 [566]	960 [453]	1440 [680]	1200 [566]	960 [453]
DR ①			.05	.08	.12	.05	.08	.12	.05	.08	.12
OUTDOOR DRY BULB TEMPERATURE °F [°C]	75 [23.9]	Total BTUH [kW]	46.4 [13.6]	44.8 [13.1]	43.1 [12.6]	44.0 [12.9]	42.5 [12.5]	40.9 [12.0]	41.5 [12.2]	40.1 [11.8]	38.6 [11.3]
		Sens BTUH [kW]	28.4 [8.3]	24.4 [7.2]	20.6 [6.0]	34.8 [10.2]	30.3 [8.9]	26.0 [7.6]	38.6 [11.3]	33.9 [9.9]	29.4 [8.6]
		Power	2.2	2.1	2.1	2.1	2.1	2.1	2.1	2.1	2.1
	80 [26.7]	Total BTUH [kW]	45.3 [13.3]	43.7 [12.8]	42.1 [12.3]	42.9 [12.6]	41.4 [12.1]	39.9 [11.7]	40.4 [11.8]	39.0 [11.4]	37.6 [11.0]
		Sens BTUH [kW]	28.1 [8.2]	24.1 [7.1]	20.4 [6.0]	34.4 [10.1]	30.0 [8.8]	25.8 [7.6]	38.3 [11.2]	33.6 [9.9]	29.2 [8.6]
		Power	2.3	2.2	2.2	2.3	2.2	2.2	2.3	2.2	2.2
	85 [29.4]	Total BTUH [kW]	44.1 [12.9]	42.6 [12.5]	41.0 [12.0]	41.7 [12.2]	40.3 [11.8]	38.8 [11.4]	39.3 [11.5]	37.9 [11.1]	36.5 [10.7]
		Sens BTUH [kW]	27.7 [8.1]	23.8 [7.0]	20.1 [5.9]	34.0 [10.0]	29.7 [8.7]	25.6 [7.5]	37.9 [11.1]	33.3 [9.8]	28.9 [8.5]
		Power	2.4	2.4	2.3	2.4	2.3	2.3	2.4	2.3	2.3
	90 [32.2]	Total BTUH [kW]	42.9 [12.6]	41.4 [12.1]	39.9 [11.7]	40.5 [11.9]	39.1 [11.5]	37.7 [11.0]	38.0 [11.1]	36.7 [10.8]	35.4 [10.4]
Sens BTUH [kW]		27.1 [8.0]	23.3 [6.8]	19.8 [5.8]	33.5 [9.8]	29.2 [8.6]	25.2 [7.4]	37.3 [10.9]	32.8 [9.6]	28.6 [8.4]	
Power		2.5	2.5	2.4	2.5	2.5	2.4	2.5	2.5	2.4	
95 [35]	Total BTUH [kW]	41.6 [12.2]	40.1 [11.8]	38.7 [11.3]	39.2 [11.5]	37.8 [11.1]	36.5 [10.7]	36.7 [10.8]	35.5 [10.4]	34.2 [10.0]	
	Sens BTUH [kW]	26.5 [7.8]	22.7 [6.7]	19.3 [5.7]	32.8 [9.6]	28.6 [8.4]	24.8 [7.3]	36.6 [10.7]	32.3 [9.5]	28.1 [8.2]	
	Power	2.7	2.6	2.6	2.7	2.6	2.6	2.7	2.6	2.6	
100 [37.8]	Total BTUH [kW]	40.2 [11.8]	38.8 [11.4]	37.4 [11.0]	37.9 [11.1]	36.5 [10.7]	35.2 [10.3]	35.4 [10.4]	34.1 [10.0]	32.9 [9.6]	
	Sens BTUH [kW]	25.7 [7.5]	22.1 [6.5]	18.8 [5.5]	32.1 [9.4]	28.0 [8.2]	24.2 [7.1]	35.4 [10.4]	31.5 [9.2]	27.5 [8.1]	
	Power	2.8	2.8	2.7	2.8	2.8	2.7	2.8	2.8	2.7	
105 [40.6]	Total BTUH [kW]	38.8 [11.4]	37.4 [11.0]	36.1 [10.6]	36.4 [10.7]	35.1 [10.3]	33.9 [9.9]	34.0 [10.0]	32.8 [9.6]	31.6 [9.3]	
	Sens BTUH [kW]	24.8 [7.3]	21.3 [6.3]	18.1 [5.3]	31.2 [9.2]	27.2 [8.0]	23.6 [6.9]	34.0 [10.0]	30.9 [9.1]	26.9 [7.9]	
	Power	3.0	2.9	2.9	3.0	2.9	2.9	3.0	2.9	2.9	
110 [43.3]	Total BTUH [kW]	37.3 [10.9]	36.0 [10.6]	34.7 [10.2]	34.9 [10.2]	33.7 [9.9]	32.5 [9.5]	32.5 [9.5]	31.3 [9.2]	30.2 [8.9]	
	Sens BTUH [kW]	23.8 [7.0]	20.5 [6.0]	17.4 [5.1]	30.2 [8.9]	26.4 [7.7]	22.8 [6.7]	32.5 [9.5]	29.9 [8.8]	26.1 [7.7]	
	Power	3.2	3.1	3.0	3.1	3.1	3.0	3.1	3.1	3.0	
115 [46.1]	Total BTUH [kW]	35.7 [10.5]	34.5 [10.1]	33.2 [9.7]	33.4 [9.8]	32.2 [9.4]	31.0 [9.1]	30.9 [9.1]	29.8 [8.7]	28.7 [8.4]	
	Sens BTUH [kW]	22.6 [6.6]	19.5 [5.7]	16.5 [4.8]	29.1 [8.5]	25.4 [7.5]	21.9 [6.4]	30.9 [9.1]	29.0 [8.5]	25.3 [7.4]	
	Power	3.3	3.3	3.2	3.3	3.3	3.2	3.3	3.2	3.2	

DR —Depression ratio
dbE—Entering air dry bulb
wbE—Entering air wet bulb

Total —Total capacity x 1000 BTUH
Sens —Sensible capacity x 1000 BTUH
Power—KW input

NOTES:

① When the entering air dry bulb is other than 80°F [27°C], adjust the sensible capacity from the table by adding [1.10 x CFM x (1 – DR) x (dbE – 80)].

HEATING PERFORMANCE DATA—RJNL-C036

IDB			60°F [15.5°C]			70°F [21.1°C]			80°F [26.7°C]		
CFM [L/s]			1440 [680]	1200 [566]	960 [453]	1440 [680]	1200 [566]	960 [453]	1440 [680]	1200 [566]	960 [453]
OUTDOOR DRY BULB TEMPERATURE °F [°C]	0 [-17.8]	Total BTUH [kW]	11.0 [3.2]	10.9 [3.2]	10.7 [3.1]	9.8 [2.9]	9.6 [2.8]	9.5 [2.8]	8.5 [2.5]	8.4 [2.5]	8.2 [2.4]
		Power	1.8	1.8	1.9	2.0	2.1	2.2	2.3	2.4	2.4
	5 [26.7]	Total BTUH [kW]	13.5 [4.0]	13.3 [3.9]	13.2 [3.9]	12.3 [3.6]	12.1 [3.5]	11.9 [3.5]	11.0 [3.2]	10.8 [3.2]	10.7 [3.1]
		Power	1.8	1.9	1.9	2.1	2.1	2.2	2.3	2.4	2.5
	10 [-12.2]	Total BTUH [kW]	16.0 [4.7]	15.8 [4.6]	15.6 [4.6]	14.8 [4.3]	14.5 [4.2]	14.3 [4.2]	13.5 [4.0]	13.3 [3.9]	13.1 [3.8]
		Power	1.9	1.9	2.0	2.1	2.2	2.2	2.4	2.4	2.5
	15 [32.2]	Total BTUH [kW]	18.5 [5.4]	18.3 [5.4]	18.0 [5.3]	17.2 [5.0]	17.0 [5.0]	16.8 [4.9]	16.0 [4.7]	15.7 [4.6]	15.5 [4.5]
		Power	1.9	2.0	2.0	2.2	2.2	2.3	2.4	2.5	2.5
	20 [-6.6]	Total BTUH [kW]	21.0 [6.2]	20.7 [6.1]	20.4 [6.0]	19.7 [5.8]	19.5 [5.7]	19.2 [5.6]	18.5 [5.4]	18.2 [5.3]	17.9 [5.2]
		Power	1.9	2.0	2.0	2.2	2.3	2.3	2.4	2.5	2.6
25 [37.8]	Total BTUH [kW]	23.5 [6.9]	23.2 [6.8]	22.9 [6.7]	22.2 [6.5]	21.9 [6.4]	21.6 [6.3]	21.0 [6.2]	20.7 [6.1]	20.4 [6.0]	
	Power	2.0	2.0	2.1	2.2	2.3	2.4	2.5	2.5	2.6	
30 [-1.1]	Total BTUH [kW]	26.0 [7.6]	25.7 [7.5]	25.3 [7.4]	24.7 [7.2]	24.4 [7.2]	24.0 [7.0]	23.5 [6.9]	23.1 [6.8]	22.8 [6.7]	
	Power	2.0	2.1	2.1	2.3	2.3	2.4	2.5	2.6	2.7	
35 [43.3]	Total BTUH [kW]	28.5 [8.4]	28.1 [8.2]	27.7 [8.1]	27.2 [8.0]	26.9 [7.9]	26.5 [7.8]	26.0 [7.6]	25.6 [7.5]	25.2 [7.4]	
	Power	2.1	2.1	2.2	2.3	2.4	2.4	2.6	2.6	2.7	
40 [4.4]	Total BTUH [kW]	31.0 [9.1]	30.6 [9.0]	30.1 [8.8]	29.7 [8.7]	29.3 [8.6]	28.9 [8.5]	28.4 [8.3]	28.0 [8.2]	27.6 [8.1]	
	Power	2.1	2.1	2.2	2.3	2.4	2.5	2.6	2.7	2.7	
45 [46.1]	Total BTUH [kW]	33.5 [9.8]	33.0 [9.7]	32.6 [9.6]	32.2 [9.4]	31.8 [9.3]	31.3 [9.2]	30.9 [9.1]	30.5 [8.9]	30.1 [8.8]	
	Power	2.1	2.2	2.2	2.4	2.4	2.5	2.6	2.7	2.8	
50 [10]	Total BTUH [kW]	36.0 [10.6]	35.5 [10.4]	35.0 [10.3]	34.7 [10.2]	34.2 [10.0]	33.8 [9.9]	33.4 [9.8]	33.0 [9.7]	32.5 [9.5]	
	Power	2.2	2.2	2.3	2.4	2.5	2.5	2.7	2.7	2.8	

IDB—Indoor air dry bulb

[] Designates Metric Conversions





COOLING PERFORMANCE DATA—RJNL-C042

ENTERING INDOOR AIR @ 80°F [26.7°C] dbE ①											
wbE			71°F [21.7°C]			67°F [19.4°C]			63°F [17.2°C]		
CFM [L/s]			1680 [793]	1400 [661]	1120 [529]	1680 [793]	1400 [661]	1120 [529]	1680 [793]	1400 [661]	1120 [529]
DR ①			.06	.09	.13	.06	.09	.13	.06	.09	.13
OUTDOOR DRY BULB TEMPERATURE °F [°C]	75 [23.9]	Total BTUH [kW]	54.9 [16.1]	53.0 [15.5]	51.1 [15.0]	51.6 [15.1]	49.8 [14.6]	48.0 [14.1]	49.2 [14.4]	47.5 [13.9]	45.8 [13.4]
		Sens BTUH [kW]	33.6 [9.9]	28.8 [8.5]	24.4 [7.2]	40.7 [11.9]	35.4 [10.4]	30.5 [8.9]	45.8 [13.4]	40.2 [11.8]	34.9 [10.2]
		Power	2.5	2.5	2.4	2.5	2.5	2.5	2.6	2.5	2.5
	80 [26.7]	Total BTUH [kW]	53.4 [15.6]	51.6 [15.1]	49.7 [14.6]	50.1 [14.7]	48.4 [14.2]	46.6 [13.7]	47.7 [14.0]	46.1 [13.5]	44.4 [13.0]
		Sens BTUH [kW]	33.1 [9.7]	28.5 [8.4]	24.1 [7.1]	40.1 [11.8]	35.0 [10.3]	30.1 [8.8]	45.3 [13.3]	39.8 [11.7]	34.5 [10.1]
		Power	2.7	2.6	2.6	2.7	2.6	2.6	2.7	2.7	2.6
	85 [29.4]	Total BTUH [kW]	51.9 [15.2]	50.1 [14.7]	48.3 [14.2]	48.6 [14.2]	46.9 [13.7]	45.2 [13.2]	46.2 [13.5]	44.6 [13.1]	43.0 [12.6]
		Sens BTUH [kW]	32.5 [9.5]	27.9 [8.2]	23.7 [7.0]	39.6 [11.6]	34.5 [10.1]	29.7 [8.7]	44.7 [13.1]	39.3 [11.5]	34.2 [10.0]
		Power	2.8	2.8	2.7	2.9	2.8	2.8	2.9	2.8	2.8
	90 [32.2]	Total BTUH [kW]	50.4 [14.8]	48.7 [14.3]	46.9 [13.7]	47.1 [13.8]	45.4 [13.3]	43.8 [12.8]	44.7 [13.1]	43.2 [12.7]	41.6 [12.2]
Sens BTUH [kW]		31.8 [9.3]	27.4 [8.0]	23.2 [6.8]	38.8 [11.4]	33.8 [9.9]	29.2 [8.6]	44.0 [12.9]	38.7 [11.4]	33.6 [9.9]	
Power		3.0	3.0	2.9	3.0	3.0	2.9	3.0	3.0	2.9	
95 [35]	Total BTUH [kW]	48.9 [14.3]	47.2 [13.8]	45.5 [13.3]	45.6 [13.4]	44.0 [12.9]	42.4 [12.4]	43.2 [12.7]	41.7 [12.2]	40.2 [11.8]	
	Sens BTUH [kW]	30.9 [9.1]	26.6 [7.8]	22.6 [6.6]	38.0 [11.1]	33.2 [9.7]	28.7 [8.4]	43.2 [12.7]	38.0 [11.1]	33.1 [9.7]	
	Power	3.2	3.1	3.1	3.2	3.2	3.1	3.2	3.2	3.1	
100 [37.8]	Total BTUH [kW]	47.4 [13.9]	45.7 [13.4]	44.0 [12.9]	44.0 [12.9]	42.5 [12.5]	41.0 [12.0]	41.7 [12.2]	40.2 [11.8]	38.7 [11.3]	
	Sens BTUH [kW]	30.1 [8.8]	25.8 [7.6]	21.9 [6.4]	37.1 [10.9]	32.4 [9.5]	28.0 [8.2]	41.7 [12.2]	37.2 [10.9]	32.4 [9.5]	
	Power	3.4	3.3	3.3	3.4	3.4	3.3	3.4	3.4	3.3	
105 [40.6]	Total BTUH [kW]	45.8 [13.4]	44.2 [13.0]	42.6 [12.5]	42.5 [12.5]	41.0 [12.0]	39.5 [11.6]	40.1 [11.8]	38.7 [11.3]	37.3 [10.9]	
	Sens BTUH [kW]	29.1 [8.5]	25.0 [7.3]	21.2 [6.2]	36.1 [10.6]	31.5 [9.2]	27.2 [8.0]	40.1 [11.8]	36.3 [10.6]	31.6 [9.3]	
	Power	3.6	3.5	3.5	3.6	3.6	3.5	3.6	3.6	3.5	
110 [43.3]	Total BTUH [kW]	44.2 [13.0]	42.7 [12.5]	41.1 [12.0]	40.9 [12.0]	39.5 [11.6]	38.1 [11.2]	38.6 [11.3]	37.2 [10.9]	35.9 [10.5]	
	Sens BTUH [kW]	27.9 [8.2]	24.0 [7.0]	20.3 [6.0]	35.0 [10.3]	30.6 [9.0]	26.5 [7.8]	38.6 [11.3]	35.4 [10.4]	30.9 [9.1]	
	Power	3.8	3.7	3.7	3.8	3.8	3.7	3.8	3.8	3.7	
115 [46.1]	Total BTUH [kW]	42.7 [12.5]	41.2 [12.1]	39.7 [11.6]	39.4 [11.5]	38.0 [11.1]	36.6 [10.7]	37.0 [10.8]	35.7 [10.5]	34.4 [10.1]	
	Sens BTUH [kW]	26.8 [7.9]	23.0 [6.8]	19.5 [5.7]	33.9 [9.9]	29.6 [8.7]	25.6 [7.5]	37.0 [10.9]	34.4 [10.1]	30.0 [8.8]	
	Power	4.0	4.0	3.9	4.0	4.0	3.9	4.1	4.0	3.9	

DR —Depression ratio
dbE —Entering air dry bulb
wbE —Entering air wet bulb

Total —Total capacity x 1000 BTUH
Sens —Sensible capacity x 1000 BTUH
Power —KW input

NOTES:

① When the entering air dry bulb is other than 80°F [27°C], adjust the sensible capacity from the table by adding $[1.10 \times \text{CFM} \times (1 - \text{DR}) \times (\text{dbE} - 80)]$.

HEATING PERFORMANCE DATA—RJNL-C042

IDB											
CFM [L/s]			60°F [15.5°C]			70°F [21.1°C]			80°F [26.7°C]		
CFM [L/s]			1680 [793]	1400 [661]	1120 [529]	1680 [793]	1400 [661]	1120 [529]	1680 [793]	1400 [661]	1120 [529]
OUTDOOR DRY BULB TEMPERATURE °F [°C]	0 [-17.8]	Total BTUH [kW]	14.3 [4.2]	14.1 [4.1]	13.9 [4.1]	13.1 [3.8]	12.9 [3.8]	12.7 [3.7]	11.9 [3.5]	11.8 [3.5]	11.6 [3.4]
		Power	2.0	2.1	2.1	2.3	2.4	2.4	2.6	2.7	2.8
	5 [26.7]	Total BTUH [kW]	17.1 [5.0]	16.9 [5.0]	16.6 [4.9]	15.9 [4.7]	15.7 [4.6]	15.5 [4.5]	14.7 [4.3]	14.5 [4.2]	14.3 [4.2]
		Power	2.1	2.1	2.2	2.4	2.4	2.5	2.7	2.8	2.8
	10 [-12.2]	Total BTUH [kW]	19.9 [5.8]	19.7 [5.8]	19.4 [5.7]	18.7 [5.5]	18.5 [5.4]	18.2 [5.3]	17.6 [5.2]	17.3 [5.1]	17.1 [5.0]
		Power	2.1	2.2	2.2	2.4	2.5	2.5	2.7	2.8	2.9
	15 [32.2]	Total BTUH [kW]	22.7 [6.7]	22.4 [6.6]	22.1 [6.5]	21.6 [6.3]	21.3 [6.2]	21.0 [6.2]	20.4 [6.0]	20.1 [5.9]	19.8 [5.8]
		Power	2.2	2.2	2.3	2.4	2.5	2.6	2.8	2.8	2.9
	20 [-6.6]	Total BTUH [kW]	25.6 [7.5]	25.2 [7.4]	24.8 [7.3]	24.4 [7.2]	24.0 [7.0]	23.7 [6.9]	23.2 [6.8]	22.9 [6.7]	22.5 [6.6]
		Power	2.2	2.3	2.3	2.5	2.6	2.6	2.8	2.9	3.0
25 [37.8]	Total BTUH [kW]	28.4 [8.3]	28.0 [8.2]	27.6 [8.1]	27.2 [8.0]	26.8 [7.9]	26.4 [7.7]	26.0 [7.6]	25.6 [7.5]	25.3 [7.4]	
	Power	2.3	2.3	2.4	2.5	2.6	2.7	2.9	2.9	3.0	
30 [-1.1]	Total BTUH [kW]	31.2 [9.1]	30.8 [9.0]	30.3 [8.9]	30.0 [8.8]	29.6 [8.7]	29.2 [8.6]	28.8 [8.4]	28.4 [8.3]	28.0 [8.2]	
	Power	2.3	2.4	2.4	2.6	2.6	2.7	2.9	3.0	3.1	
35 [43.3]	Total BTUH [kW]	34.0 [10.0]	33.5 [9.8]	33.1 [9.7]	32.8 [9.6]	32.4 [9.5]	31.9 [9.3]	31.6 [9.3]	31.2 [9.1]	30.7 [9.0]	
	Power	2.3	2.4	2.5	2.6	2.7	2.8	3.0	3.0	3.1	
40 [4.4]	Total BTUH [kW]	36.8 [10.8]	36.3 [10.6]	35.8 [10.5]	35.6 [10.4]	35.1 [10.3]	34.6 [10.1]	34.4 [10.1]	34.0 [10.0]	33.5 [9.8]	
	Power	2.4	2.4	2.5	2.7	2.7	2.8	3.0	3.1	3.2	
45 [46.1]	Total BTUH [kW]	39.6 [11.6]	39.1 [11.5]	38.5 [11.3]	38.5 [11.3]	37.9 [11.1]	37.4 [11.0]	37.3 [10.9]	36.7 [10.8]	36.2 [10.6]	
	Power	2.4	2.5	2.6	2.7	2.8	2.8	3.0	3.1	3.2	
50 [10]	Total BTUH [kW]	42.5 [12.5]	41.9 [12.3]	41.3 [12.1]	41.3 [12.1]	40.7 [11.9]	40.1 [11.8]	40.1 [11.8]	39.5 [11.6]	38.9 [11.4]	
	Power	2.5	2.5	2.6	2.8	2.8	2.9	3.1	3.2	3.2	

IDB—Indoor air dry bulb

[] Designates Metric Conversions





COOLING PERFORMANCE DATA—RJNL-C048

		ENTERING INDOOR AIR @ 80°F [26.7°C] dbE ①									
		wbE	71°F [21.7°C]			67°F [19.4°C]			63°F [17.2°C]		
		CFM [L/s]	1920 [906]	1600 [755]	1280 [604]	1920 [906]	1600 [755]	1280 [604]	1920 [906]	1600 [755]	1280 [604]
		DR ①	.05	.08	.12	.05	.08	.12	.05	.08	.12
OUTDOOR DRY BULB TEMPERATURE °F [°C]	75 [23.9]	Total BTUH [kW]	61.1 [17.9]	59.0 [17.3]	56.9 [16.7]	57.8 [16.9]	55.8 [16.4]	53.7 [15.7]	52.9 [15.5]	51.0 [14.9]	49.2 [14.4]
		Sens BTUH [kW]	37.7 [11.1]	32.4 [9.5]	27.5 [8.1]	45.9 [13.5]	40.0 [11.7]	34.4 [10.1]	49.0 [14.4]	42.9 [12.6]	37.3 [10.9]
		Power	2.9	2.8	2.8	2.9	2.8	2.8	2.9	2.8	2.8
	80 [26.7]	Total BTUH [kW]	59.8 [17.5]	57.7 [16.9]	55.6 [16.3]	56.4 [16.5]	54.4 [15.9]	52.5 [15.4]	51.5 [15.1]	49.7 [14.6]	47.9 [14.0]
		Sens BTUH [kW]	37.5 [11.0]	32.2 [9.4]	27.3 [8.0]	45.6 [13.4]	39.7 [11.6]	34.3 [10.1]	48.7 [14.3]	42.7 [12.5]	37.1 [10.9]
		Power	3.0	3.0	2.9	3.0	3.0	2.9	3.0	3.0	2.9
	85 [29.4]	Total BTUH [kW]	58.3 [17.1]	56.3 [16.5]	54.2 [15.9]	54.9 [16.1]	53.0 [15.5]	51.1 [15.0]	50.0 [14.7]	48.3 [14.2]	46.5 [13.6]
		Sens BTUH [kW]	37.0 [10.9]	31.8 [9.3]	26.9 [7.9]	45.0 [13.2]	39.3 [11.5]	33.9 [9.9]	48.1 [14.1]	42.3 [12.4]	36.7 [10.8]
		Power	3.2	3.2	3.1	3.2	3.2	3.1	3.2	3.2	3.1
	90 [32.2]	Total BTUH [kW]	56.7 [16.6]	54.7 [16.0]	52.7 [15.4]	53.3 [15.6]	51.5 [15.1]	49.6 [14.5]	48.4 [14.2]	46.7 [13.7]	45.0 [13.2]
Sens BTUH [kW]		36.3 [10.6]	31.2 [9.2]	26.5 [7.8]	44.4 [13.0]	38.8 [11.4]	33.5 [9.8]	47.5 [13.9]	41.7 [12.2]	36.3 [10.6]	
Power		3.4	3.4	3.3	3.4	3.4	3.3	3.4	3.4	3.3	
95 [35]	Total BTUH [kW]	55.0 [16.1]	53.0 [15.5]	51.1 [15.0]	51.6 [15.1]	49.8 [14.6]	48.0 [14.1]	46.7 [13.7]	45.1 [13.2]	43.4 [12.7]	
	Sens BTUH [kW]	35.4 [10.4]	30.4 [8.9]	25.8 [7.6]	43.5 [12.8]	38.0 [11.1]	32.8 [9.6]	46.6 [13.7]	41.0 [12.0]	35.6 [10.4]	
	Power	3.6	3.6	3.5	3.6	3.6	3.5	3.6	3.6	3.5	
100 [37.8]	Total BTUH [kW]	53.1 [15.6]	51.2 [15.0]	49.4 [14.5]	49.7 [14.6]	48.0 [14.1]	46.2 [13.5]	44.8 [13.1]	43.3 [12.7]	41.7 [12.2]	
	Sens BTUH [kW]	34.3 [10.1]	29.5 [8.7]	25.1 [7.4]	42.4 [12.4]	37.1 [10.9]	32.0 [9.4]	44.8 [13.1]	40.1 [11.8]	34.9 [10.2]	
	Power	3.8	3.8	3.7	3.8	3.8	3.7	3.8	3.8	3.7	
105 [40.6]	Total BTUH [kW]	51.1 [15.0]	49.3 [14.4]	47.5 [13.9]	47.8 [14.0]	46.1 [13.5]	44.4 [13.0]	42.9 [12.6]	41.4 [12.1]	39.8 [11.7]	
	Sens BTUH [kW]	33.1 [9.7]	28.5 [8.4]	24.2 [7.1]	41.3 [12.1]	36.1 [10.6]	31.2 [9.2]	42.9 [12.6]	39.1 [11.5]	34.0 [10.0]	
	Power	4.1	4.0	3.9	4.0	4.0	3.9	4.0	4.0	3.9	
110 [43.3]	Total BTUH [kW]	49.0 [14.4]	47.3 [13.9]	45.6 [13.4]	45.7 [13.4]	44.0 [12.9]	42.4 [12.4]	40.7 [11.9]	39.3 [11.5]	37.9 [11.1]	
	Sens BTUH [kW]	31.7 [9.3]	27.3 [8.0]	23.2 [6.8]	39.9 [11.7]	34.8 [10.2]	30.1 [8.8]	40.7 [11.9]	37.8 [11.1]	33.0 [9.7]	
	Power	4.3	4.2	4.1	4.3	4.2	4.1	4.3	4.2	4.1	
115 [46.1]	Total BTUH [kW]	46.8 [13.7]	45.1 [13.2]	43.5 [12.7]	43.4 [12.7]	41.9 [12.3]	40.4 [11.8]	38.5 [11.3]	37.2 [10.9]	35.8 [10.5]	
	Sens BTUH [kW]	30.2 [8.9]	25.9 [7.6]	22.0 [6.5]	38.3 [11.2]	33.5 [9.8]	29.0 [8.5]	38.5 [11.3]	36.5 [10.7]	31.8 [9.3]	
	Power	4.5	4.4	4.4	4.5	4.4	4.4	4.5	4.4	4.4	

DR —Depression ratio
dbE —Entering air dry bulb
wbE—Entering air wet bulb

Total —Total capacity x 1000 BTUH
Sens —Sensible capacity x 1000 BTUH
Power—KW input

NOTES:

① When the entering air dry bulb is other than 80°F [27°C], adjust the sensible capacity from the table by adding [1.10 x CFM x (1 – DR) x (dbE – 80)].

HEATING PERFORMANCE DATA—RJNL-C048

		IDB	60°F [15.5°C]			70°F [21.1°C]			80°F [26.7°C]		
		CFM [L/s]	1920 [906]	1600 [755]	1280 [604]	1920 [906]	1600 [755]	1280 [604]	1920 [906]	1600 [755]	1280 [604]
OUTDOOR DRY BULB TEMPERATURE °F [°C]	0 [-17.8]	Total BTUH [kW]	16.5 [4.8]	16.3 [4.8]	16.0 [4.7]	14.9 [4.4]	14.7 [4.3]	14.5 [4.2]	13.4 [3.9]	13.2 [3.9]	13.0 [3.8]
		Power	2.4	2.5	2.5	2.8	2.8	2.9	3.1	3.2	3.3
	5 [26.7]	Total BTUH [kW]	20.0 [5.9]	19.7 [5.8]	19.4 [5.7]	18.4 [5.4]	18.1 [5.3]	17.9 [5.2]	16.8 [4.9]	16.6 [4.9]	16.4 [4.8]
		Power	2.5	2.5	2.6	2.8	2.9	2.9	3.2	3.3	3.3
	10 [-12.2]	Total BTUH [kW]	23.4 [6.9]	23.1 [6.8]	22.7 [6.7]	21.8 [6.4]	21.5 [6.3]	21.2 [6.2]	20.3 [5.9]	20.0 [5.9]	19.7 [5.8]
		Power	2.5	2.6	2.6	2.8	2.9	3.0	3.2	3.3	3.4
	15 [32.2]	Total BTUH [kW]	26.9 [7.9]	26.5 [7.8]	26.1 [7.6]	25.3 [7.4]	24.9 [7.3]	24.6 [7.2]	23.7 [6.9]	23.4 [6.9]	23.1 [6.8]
		Power	2.5	2.6	2.7	2.9	3.0	3.0	3.3	3.4	3.4
	20 [-6.6]	Total BTUH [kW]	30.3 [8.9]	29.9 [8.8]	29.4 [8.6]	28.7 [8.4]	28.3 [8.3]	27.9 [8.2]	27.2 [8.0]	26.8 [7.9]	26.4 [7.7]
		Power	2.6	2.7	2.7	2.9	3.0	3.1	3.3	3.4	3.5
25 [37.8]	Total BTUH [kW]	33.8 [9.9]	33.3 [9.8]	32.8 [9.6]	32.2 [9.4]	31.7 [9.3]	31.3 [9.2]	30.6 [9.0]	30.2 [8.9]	29.8 [8.7]	
	Power	2.6	2.7	2.8	3.0	3.1	3.1	3.4	3.4	3.5	
30 [-1.1]	Total BTUH [kW]	37.2 [10.9]	36.7 [10.8]	36.2 [10.6]	35.6 [10.4]	35.1 [10.3]	34.6 [10.1]	34.1 [10.0]	33.6 [9.8]	33.1 [9.7]	
	Power	2.7	2.7	2.8	3.0	3.1	3.2	3.4	3.5	3.6	
35 [43.3]	Total BTUH [kW]	40.7 [11.9]	40.1 [11.8]	39.5 [11.6]	39.1 [11.5]	38.5 [11.3]	38.0 [11.1]	37.5 [11.0]	37.0 [10.8]	36.5 [10.7]	
	Power	2.7	2.8	2.9	3.1	3.1	3.2	3.4	3.5	3.6	
40 [4.4]	Total BTUH [kW]	44.1 [12.9]	43.5 [12.7]	42.9 [12.6]	42.5 [12.5]	42.0 [12.3]	41.4 [12.1]	41.0 [12.0]	40.4 [11.8]	39.8 [11.7]	
	Power	2.8	2.8	2.9	3.1	3.2	3.3	3.5	3.6	3.7	
45 [46.1]	Total BTUH [kW]	47.6 [14.0]	46.9 [13.7]	46.2 [13.5]	46.0 [13.5]	45.4 [13.3]	44.7 [13.1]	44.4 [13.0]	43.8 [12.8]	43.2 [12.7]	
	Power	2.8	2.9	2.9	3.2	3.2	3.3	3.5	3.6	3.7	
50 [10]	Total BTUH [kW]	51.0 [14.9]	50.3 [14.7]	49.6 [14.5]	49.5 [14.5]	48.8 [14.3]	48.1 [14.1]	47.9 [14.0]	47.2 [13.8]	46.5 [13.6]	
	Power	2.8	2.9	3.0	3.2	3.3	3.4	3.6	3.7	3.8	

IDB—Indoor air dry bulb

[] Designates Metric Conversions





COOLING PERFORMANCE DATA—RJNL-C060

ENTERING INDOOR AIR @ 80°F [26.7°C] dbE ①											
wbE			71°F [21.7°C]			67°F [19.4°C]			63°F [17.2°C]		
CFM [L/s]			2500 [1180]	2000 [944]	1500 [708]	2500 [1180]	2000 [944]	1500 [708]	2500 [1180]	2000 [944]	1500 [708]
DR ①			.07	.11	.16	.07	.11	.16	.07	.11	.16
OUTDOOR DRY BULB TEMPERATURE °F [°C]	75 [23.9]	Total BTUH [kW]	74.6 [21.9]	71.4 [20.9]	68.1 [20.0]	71.7 [21.0]	68.6 [20.1]	65.4 [19.2]	68.1 [20.0]	65.2 [19.1]	62.2 [18.2]
		Sens BTUH [kW]	46.8 [13.7]	38.7 [11.4]	31.3 [9.2]	57.7 [16.9]	48.6 [14.3]	40.1 [11.8]	64.2 [18.8]	54.6 [16.0]	45.6 [13.4]
		Power	3.6	3.5	3.4	3.6	3.5	3.4	3.5	3.4	3.4
	80 [26.7]	Total BTUH [kW]	72.9 [21.4]	69.7 [20.4]	66.6 [19.5]	70.0 [20.5]	66.9 [19.6]	63.9 [18.7]	66.4 [19.5]	63.5 [18.6]	60.6 [17.8]
		Sens BTUH [kW]	46.5 [13.6]	38.4 [11.3]	31.2 [9.2]	57.4 [16.8]	48.3 [14.2]	40.0 [11.7]	63.9 [18.7]	54.3 [15.9]	45.4 [13.3]
		Power	3.8	3.7	3.6	3.8	3.7	3.6	3.7	3.6	3.6
	85 [29.4]	Total BTUH [kW]	71.1 [20.8]	68.0 [19.9]	64.9 [19.0]	68.2 [20.0]	65.2 [19.1]	62.2 [18.2]	64.6 [18.9]	61.8 [18.1]	59.0 [17.3]
		Sens BTUH [kW]	45.9 [13.5]	38.0 [11.1]	30.8 [9.0]	56.8 [16.7]	47.9 [14.0]	39.7 [11.6]	63.3 [18.6]	53.9 [15.8]	45.1 [13.2]
		Power	4.0	3.9	3.8	4.0	3.9	3.8	3.9	3.8	3.8
	90 [32.2]	Total BTUH [kW]	69.2 [20.3]	66.1 [19.4]	63.1 [18.5]	66.2 [19.4]	63.3 [18.6]	60.5 [17.7]	62.7 [18.4]	59.9 [17.6]	57.2 [16.8]
Sens BTUH [kW]		45.1 [13.2]	37.3 [10.9]	30.3 [8.9]	55.9 [16.4]	47.2 [13.8]	39.2 [11.5]	62.5 [18.3]	53.2 [15.6]	44.6 [13.1]	
Power		4.2	4.1	4.1	4.2	4.1	4.0	4.2	4.1	4.0	
95 [35]	Total BTUH [kW]	67.1 [19.7]	64.2 [18.8]	61.2 [17.9]	64.1 [18.8]	61.4 [18.0]	58.6 [17.2]	60.6 [17.8]	57.9 [17.0]	55.3 [16.2]	
	Sens BTUH [kW]	44.1 [12.9]	36.6 [10.7]	29.7 [8.7]	54.8 [16.1]	46.4 [13.6]	38.5 [11.3]	60.6 [17.8]	52.3 [15.3]	43.9 [12.9]	
	Power	4.5	4.4	4.3	4.4	4.4	4.3	4.4	4.3	4.2	
100 [37.8]	Total BTUH [kW]	64.9 [19.0]	62.0 [18.2]	59.2 [17.3]	61.9 [18.1]	59.2 [17.3]	56.6 [16.6]	58.4 [17.1]	55.8 [16.4]	53.3 [15.6]	
	Sens BTUH [kW]	42.9 [12.6]	35.5 [10.4]	28.9 [8.5]	53.7 [15.7]	45.4 [13.3]	37.8 [11.1]	58.4 [17.1]	51.3 [15.0]	43.1 [12.6]	
	Power	4.7	4.6	4.5	4.7	4.6	4.5	4.7	4.6	4.5	
105 [40.6]	Total BTUH [kW]	62.5 [18.3]	59.8 [17.5]	57.1 [16.7]	59.6 [17.5]	57.0 [16.7]	54.4 [15.9]	56.0 [16.4]	53.6 [15.7]	51.2 [15.0]	
	Sens BTUH [kW]	41.3 [12.1]	34.3 [10.1]	27.9 [8.2]	52.3 [15.3]	44.2 [13.0]	36.7 [10.8]	56.0 [16.4]	50.2 [14.7]	42.2 [12.4]	
	Power	5.0	4.9	4.8	5.0	4.9	4.8	4.9	4.8	4.7	
110 [43.3]	Total BTUH [kW]	60.1 [17.6]	57.5 [16.9]	54.8 [16.1]	57.1 [16.7]	54.7 [16.0]	52.2 [15.3]	53.6 [15.7]	51.2 [15.0]	48.9 [14.3]	
	Sens BTUH [kW]	39.8 [11.7]	33.0 [9.7]	26.8 [7.9]	50.6 [14.8]	42.9 [12.6]	35.7 [10.5]	53.6 [15.7]	48.8 [14.3]	41.1 [12.1]	
	Power	5.3	5.2	5.1	5.3	5.1	5.0	5.2	5.1	5.0	
115 [46.1]	Total BTUH [kW]	57.5 [16.9]	55.0 [16.1]	52.5 [15.4]	54.5 [16.0]	52.2 [15.3]	49.8 [14.6]	51.0 [14.9]	48.8 [14.3]	46.5 [13.6]	
	Sens BTUH [kW]	37.9 [11.1]	31.4 [9.2]	25.5 [7.5]	48.7 [14.3]	41.3 [12.1]	34.4 [10.1]	51.0 [15.0]	47.3 [13.9]	39.7 [11.6]	
	Power	5.6	5.5	5.3	5.6	5.4	5.3	5.5	5.4	5.3	

DR —Depression ratio
dbE —Entering air dry bulb
wbE —Entering air wet bulb

Total —Total capacity x 1000 BTUH
Sens —Sensible capacity x 1000 BTUH
Power —KW input

NOTES:

① When the entering air dry bulb is other than 80°F [27°C], adjust the sensible capacity from the table by adding $[1.10 \times \text{CFM} \times (1 - \text{DR}) \times (\text{dbE} - 80)]$.

HEATING PERFORMANCE DATA—RJNL-C060

IDB			60°F [15.5°C]			70°F [21.1°C]			80°F [26.7°C]		
CFM [L/s]			2500 [1180]	2000 [944]	1500 [708]	2500 [1180]	2000 [944]	1500 [708]	2500 [1180]	2000 [944]	1500 [708]
OUTDOOR DRY BULB TEMPERATURE °F [°C]	0 [-17.8]	Total BTUH [kW]	22.5 [6.6]	22.1 [6.5]	21.7 [6.4]	20.7 [6.1]	20.4 [6.0]	20.0 [5.9]	19.0 [5.6]	18.6 [5.5]	18.3 [5.4]
		Power	2.8	2.9	2.9	3.2	3.3	3.4	3.8	3.9	4.0
	5 [26.7]	Total BTUH [kW]	26.5 [7.8]	26.1 [7.6]	25.6 [7.5]	24.8 [7.3]	24.3 [7.1]	23.9 [7.0]	23.0 [6.7]	22.6 [6.6]	22.2 [6.5]
		Power	2.8	2.9	3.0	3.3	3.4	3.5	3.8	4.0	4.1
	10 [-12.2]	Total BTUH [kW]	30.6 [9.0]	30.0 [8.8]	29.5 [8.6]	28.8 [8.4]	28.3 [8.3]	27.8 [8.1]	27.1 [7.9]	26.6 [7.8]	26.1 [7.6]
		Power	2.9	3.0	3.1	3.4	3.5	3.6	3.9	4.0	4.2
	15 [32.2]	Total BTUH [kW]	34.6 [10.1]	34.0 [10.0]	33.4 [9.8]	32.8 [9.6]	32.3 [9.5]	31.7 [9.3]	31.1 [9.1]	30.5 [8.9]	30.0 [8.8]
		Power	3.0	3.1	3.2	3.5	3.6	3.7	4.0	4.1	4.3
	20 [-6.6]	Total BTUH [kW]	38.6 [11.3]	38.0 [11.1]	37.3 [10.9]	36.9 [10.8]	36.2 [10.6]	35.6 [10.4]	35.1 [10.3]	34.5 [10.1]	33.9 [9.9]
		Power	3.1	3.2	3.3	3.5	3.6	3.8	4.1	4.2	4.3
	25 [37.8]	Total BTUH [kW]	42.7 [12.5]	41.9 [12.3]	41.2 [12.1]	40.9 [12.0]	40.2 [11.8]	39.5 [11.6]	39.2 [11.5]	38.5 [11.3]	37.8 [11.1]
		Power	3.2	3.3	3.4	3.6	3.7	3.8	4.2	4.3	4.4
	30 [-1.1]	Total BTUH [kW]	46.7 [13.7]	45.9 [13.5]	45.1 [13.2]	45.0 [13.2]	44.2 [13.0]	43.4 [12.7]	43.2 [12.7]	42.4 [12.4]	41.7 [12.2]
		Power	3.2	3.3	3.4	3.7	3.8	3.9	4.2	4.4	4.5
	35 [43.3]	Total BTUH [kW]	50.7 [14.9]	49.9 [14.6]	49.0 [14.4]	49.0 [14.4]	48.1 [14.1]	47.3 [13.9]	47.2 [13.8]	46.4 [13.6]	45.6 [13.4]
		Power	3.3	3.4	3.5	3.8	3.9	4.0	4.3	4.4	4.6
40 [4.4]	Total BTUH [kW]	54.8 [16.1]	53.8 [15.8]	52.9 [15.5]	53.0 [15.5]	52.1 [15.3]	51.2 [15.0]	51.3 [15.0]	50.4 [14.8]	49.5 [14.5]	
	Power	3.4	3.5	3.6	3.8	4.0	4.1	4.4	4.5	4.7	
45 [46.1]	Total BTUH [kW]	58.8 [17.2]	57.8 [16.9]	56.8 [16.6]	57.1 [16.7]	56.1 [16.4]	55.1 [16.1]	55.3 [16.2]	54.3 [15.9]	53.4 [15.6]	
	Power	3.5	3.6	3.7	3.9	4.1	4.2	4.5	4.6	4.8	
50 [10]	Total BTUH [kW]	62.9 [18.4]	61.7 [18.1]	60.6 [17.8]	61.1 [17.9]	60.0 [17.6]	59.0 [17.3]	59.3 [17.4]	58.3 [17.1]	57.3 [16.8]	
	Power	3.6	3.7	3.8	4.0	4.1	4.3	4.5	4.7	4.8	

IDB—Indoor air dry bulb

[] Designates Metric Conversions





COOLING PERFORMANCE DATA—RJNL-C072

		ENTERING INDOOR AIR @ 80°F [26.7°C] dbE ①									
		wbE	71°F [21.7°C]			67°F [19.4°C]			63°F [17.2°C]		
		CFM [L/s]	2880 [1359]	2125 [1003]	1920 [906]	2880 [1359]	2125 [1003]	1920 [906]	2880 [1359]	2125 [1003]	11920 [906]
		DR ①	0	.06	.09	0	.06	.09	0	.06	.09
OUTDOOR DRY BULB TEMPERATURE °F [°C]	75 [23.9]	Total BTUH [kW] Sens BTUH [kW] Power	91.1 [26.7] 72.0 [21.1] 4.7	85.6 [25.1] 56.3 [16.5] 4.6	84.1 [24.6] 52.3 [15.3] 4.6	85.6 [25.1] 82.1 [24.1] 4.7	80.4 [23.6] 65.2 [19.1] 4.5	79.0 [23.2] 60.9 [17.9] 4.5	82.9 [24.3] 82.9 [24.3] 4.6	77.9 [22.8] 73.7 [21.6] 4.5	76.5 [22.4] 69.0 [20.2] 4.5
	80 [26.7]	Total BTUH [kW] Sens BTUH [kW] Power	89.0 [26.1] 67.5 [19.8] 5.0	83.6 [24.5] 52.5 [15.4] 4.8	82.1 [24.1] 48.7 [14.3] 4.8	83.5 [24.5] 77.5 [22.7] 4.9	78.4 [23.0] 61.4 [18.0] 4.8	77.0 [22.6] 57.3 [16.8] 4.7	80.8 [23.7] 80.8 [23.7] 4.9	75.9 [22.2] 69.9 [20.5] 4.7	74.6 [21.9] 65.5 [19.2] 4.7
	85 [29.4]	Total BTUH [kW] Sens BTUH [kW] Power	86.9 [25.5] 63.5 [18.6] 5.2	81.6 [23.9] 49.2 [14.4] 5.1	80.2 [23.5] 45.6 [13.4] 5.0	81.4 [23.9] 73.6 [21.6] 5.2	76.4 [22.4] 58.1 [17.0] 5.0	75.1 [22.0] 54.2 [15.9] 5.0	78.7 [23.1] 78.7 [23.1] 5.1	73.9 [21.7] 66.6 [19.5] 5.0	72.6 [21.3] 62.4 [18.3] 4.9
	90 [32.2]	Total BTUH [kW] Sens BTUH [kW] Power	84.9 [24.9] 60.4 [17.7] 5.5	79.7 [23.4] 46.6 [13.7] 5.4	78.3 [22.9] 43.2 [12.7] 5.3	79.3 [23.2] 70.2 [20.6] 5.5	74.5 [21.8] 55.4 [16.2] 5.3	73.2 [21.5] 51.7 [15.2] 5.3	76.7 [22.5] 76.7 [22.5] 5.4	72.0 [21.1] 63.9 [18.7] 5.2	70.8 [20.7] 59.9 [17.6] 5.2
	95 [35]	Total BTUH [kW] Sens BTUH [kW] Power	82.9 [24.3] 57.7 [16.9] 5.8	77.9 [22.8] 44.5 [13.1] 5.6	76.5 [22.4] 41.2 [12.1] 5.6	77.4 [22.7] 67.7 [19.9] 5.8	72.7 [21.3] 53.4 [15.7] 5.6	71.4 [20.9] 49.8 [14.6] 5.5	74.7 [21.9] 74.7 [21.9] 5.7	70.2 [20.6] 61.9 [18.2] 5.5	68.9 [20.2] 57.9 [17.0] 5.5
	100 [37.8]	Total BTUH [kW] Sens BTUH [kW] Power	81.0 [23.7] 55.8 [16.4] 6.1	76.1 [22.3] 43.0 [12.6] 6.0	74.7 [21.9] 39.7 [11.6] 5.9	75.4 [22.1] 65.8 [19.3] 6.1	70.9 [20.8] 51.9 [15.2] 5.9	69.6 [20.4] 48.3 [14.2] 5.8	72.8 [21.3] 72.8 [21.3] 6.0	68.4 [20.0] 60.4 [17.7] 5.8	67.2 [19.7] 56.5 [16.6] 5.8
	105 [40.6]	Total BTUH [kW] Sens BTUH [kW] Power	79.1 [23.2] 54.6 [16.0] 6.5	74.3 [21.8] 42.0 [12.3] 6.3	73.0 [21.4] 38.9 [11.4] 6.2	73.6 [21.6] 64.6 [18.9] 6.4	69.1 [20.3] 50.9 [14.9] 6.2	67.9 [19.9] 47.5 [13.9] 6.2	70.9 [20.8] 70.9 [20.8] 6.4	66.6 [19.5] 59.4 [17.4] 6.2	65.4 [19.2] 55.6 [16.3] 6.1
	110 [43.3]	Total BTUH [kW] Sens BTUH [kW] Power	77.3 [22.7] 54.0 [15.8] 6.8	72.6 [21.3] 41.6 [12.2] 6.6	71.3 [20.9] 38.5 [11.3] 6.6	71.7 [21.0] 63.9 [18.7] 6.8	67.4 [19.8] 50.5 [14.8] 6.6	66.2 [19.4] 47.1 [13.8] 6.5	69.1 [20.3] 69.1 [20.3] 6.7	64.9 [19.0] 59.0 [17.3] 6.5	63.8 [18.7] 55.3 [16.2] 6.4
	115 [46.1]	Total BTUH [kW] Sens BTUH [kW] Power	75.5 [22.1] 54.1 [15.9] 7.2	70.9 [20.8] 41.8 [12.3] 7.0	69.7 [20.4] 38.8 [11.4] 6.9	70.0 [20.5] 64.1 [18.8] 7.1	65.7 [19.3] 50.7 [14.9] 6.9	64.6 [18.9] 47.4 [13.9] 6.9	67.3 [19.7] 67.3 [19.7] 7.1	63.2 [18.5] 59.2 [17.4] 6.9	62.1 [18.2] 55.5 [16.3] 6.8

DR —Depression ratio
dbE —Entering air dry bulb
wbE—Entering air wet bulb

Total —Total capacity x 1000 BTUH
Sens —Sensible capacity x 1000 BTUH
Power—KW input

NOTES:

① When the entering air dry bulb is other than 80°F [27°C], adjust the sensible capacity from the table by adding [1.10 x CFM x (1 – DR) x (dbE – 80)].

HEATING PERFORMANCE DATA—RJNL-C072

		IDB	60°F [15.5°C]			70°F [21.1°C]			80°F [26.7°C]		
		CFM [L/s]	2880 [1359]	2125 [1003]	1920 [906]	2880 [1359]	2125 [1003]	1920 [906]	2880 [1359]	2125 [1003]	1920 [906]
OUTDOOR DRY BULB TEMPERATURE °F [°C]	0 [-17.8]	Total BTUH [kW] Power	26.0 [7.6] 8.2	25.4 [7.4] 8.6	25.2 [7.4] 8.7	24.5 [7.2] 8.2	23.9 [7.0] 8.6	23.7 [6.9] 8.7	22.9 [6.7] 8.2	22.4 [6.6] 8.6	22.2 [6.5] 8.7
	5 [26.7]	Total BTUH [kW] Power	30.5 [8.9] 7.8	29.8 [8.7] 8.2	29.6 [8.7] 8.3	29.0 [8.5] 7.8	28.3 [8.3] 8.2	28.1 [8.2] 8.3	27.4 [8.0] 7.8	26.8 [7.9] 8.2	26.6 [7.8] 8.3
	10 [-12.2]	Total BTUH [kW] Power	35.1 [10.3] 7.5	34.2 [10.0] 7.8	34.0 [10.0] 7.9	33.5 [9.8] 7.5	32.7 [9.6] 7.8	32.5 [9.5] 7.9	32.0 [9.4] 7.5	31.2 [9.1] 7.8	31.0 [9.1] 7.9
	15 [32.2]	Total BTUH [kW] Power	39.6 [11.6] 7.1	38.6 [11.3] 7.4	38.4 [11.3] 7.5	38.0 [11.1] 7.1	37.1 [10.9] 7.4	36.8 [10.8] 7.5	36.5 [10.7] 7.1	35.6 [10.4] 7.4	35.3 [10.3] 7.5
	20 [-6.6]	Total BTUH [kW] Power	44.1 [12.9] 6.7	43.0 [12.6] 7.0	42.7 [12.5] 7.1	42.6 [12.5] 6.7	41.5 [12.2] 7.0	41.2 [12.1] 7.1	41.0 [12.0] 6.7	40.0 [11.7] 7.0	39.7 [11.6] 7.1
	25 [37.8]	Total BTUH [kW] Power	48.6 [14.2] 6.4	47.4 [13.9] 6.7	47.1 [13.8] 6.7	47.1 [13.8] 6.4	45.9 [13.5] 6.7	45.6 [13.4] 6.7	45.5 [13.3] 6.4	44.4 [13.0] 6.7	44.1 [12.9] 6.7
	30 [-1.1]	Total BTUH [kW] Power	53.2 [15.6] 6.0	51.9 [15.2] 6.3	51.5 [15.1] 6.4	51.6 [15.1] 6.0	50.3 [14.7] 6.3	50.0 [14.7] 6.4	50.1 [14.7] 6.0	48.8 [14.3] 6.3	48.5 [14.2] 6.4
	35 [43.3]	Total BTUH [kW] Power	57.7 [16.9] 5.7	56.3 [16.5] 5.9	55.9 [16.4] 6.0	56.1 [16.4] 5.7	54.8 [16.1] 5.9	54.4 [15.9] 6.0	54.6 [16.0] 5.7	53.2 [15.6] 5.9	52.9 [15.5] 6.0
	40 [4.4]	Total BTUH [kW] Power	62.2 [18.2] 5.3	60.7 [17.8] 5.5	60.3 [17.7] 5.6	60.7 [17.8] 5.3	59.2 [17.3] 5.5	58.8 [17.2] 5.6	59.1 [17.3] 5.3	57.6 [16.9] 5.5	57.3 [16.8] 5.6
	45 [46.1]	Total BTUH [kW] Power	66.7 [19.5] 4.9	65.1 [19.1] 5.2	64.6 [18.9] 5.2	65.2 [19.1] 4.9	63.6 [18.6] 5.2	63.1 [18.5] 5.2	63.6 [18.6] 4.9	62.1 [18.2] 5.2	61.6 [18.1] 5.2
50 [10]	Total BTUH [kW] Power	71.3 [20.9] 4.6	69.5 [20.4] 4.8	69.0 [20.2] 4.8	69.7 [20.4] 4.6	68.0 [19.9] 4.8	67.5 [19.8] 4.8	68.2 [20.0] 4.6	66.5 [19.5] 4.8	66.0 [19.3] 4.8	

IDB—Indoor air dry bulb

[] Designates Metric Conversions





COOLING PERFORMANCE DATA—RJPL-C036

ENTERING INDOOR AIR @ 80°F [26.7°C] dbE ①											
wbE		71°F [21.7°C]			67°F [19.4°C]			63°F [17.2°C]			
CFM [L/s]		1440 [680]	1200 [566]	960 [453]	1440 [680]	1200 [566]	960 [453]	1440 [680]	1200 [566]	960 [453]	
DR ①		.05	.09	.13	.05	.09	.13	.05	.09	.13	
OUTDOOR DRY BULB TEMPERATURE °F [°C]	75 [23.9]	Total BTUH [kW] Sens BTUH [kW] Power	46.6 [13.7] 29.1 [8.5] 2.0	45.0 [13.2] 25.0 [7.3] 2.0	43.3 [12.7] 21.1 [6.2] 2.0	44.5 [13.0] 34.4 [10.1] 2.0	42.9 [12.6] 29.9 [8.8] 2.0	41.3 [12.1] 25.7 [7.5] 1.9	41.5 [12.2] 37.2 [10.9] 2.0	40.1 [11.8] 32.6 [9.6] 2.0	38.6 [11.3] 28.2 [8.3] 1.9
	80 [26.7]	Total BTUH [kW] Sens BTUH [kW] Power	45.6 [13.4] 29.0 [8.5] 2.1	44.0 [12.9] 24.9 [7.3] 2.1	42.4 [12.4] 21.1 [6.2] 2.1	43.5 [12.7] 34.4 [10.1] 2.1	42.0 [12.3] 30.0 [8.8] 2.1	40.4 [11.8] 25.7 [7.5] 2.1	40.6 [11.9] 37.2 [10.9] 2.1	39.2 [11.5] 32.6 [9.6] 2.1	37.7 [11.0] 28.2 [8.3] 2.1
	85 [29.4]	Total BTUH [kW] Sens BTUH [kW] Power	44.5 [13.0] 28.6 [8.4] 2.3	43.0 [12.6] 24.7 [7.2] 2.2	41.4 [12.1] 20.9 [6.1] 2.2	42.4 [12.4] 34.1 [10.0] 2.3	40.9 [12.0] 29.7 [8.7] 2.2	39.4 [11.5] 25.6 [7.5] 2.2	39.5 [11.6] 36.8 [10.8] 2.3	38.1 [11.2] 32.3 [9.5] 2.2	36.7 [10.8] 28.0 [8.2] 2.2
	90 [32.2]	Total BTUH [kW] Sens BTUH [kW] Power	43.3 [12.7] 28.3 [8.3] 2.4	41.8 [12.3] 24.4 [7.2] 2.4	40.3 [11.8] 20.8 [6.1] 2.3	41.2 [12.1] 33.7 [9.9] 2.4	39.7 [11.6] 29.3 [8.6] 2.4	38.3 [11.2] 25.3 [7.4] 2.3	38.3 [11.2] 36.5 [10.7] 2.4	36.9 [10.8] 32.0 [9.4] 2.4	35.6 [10.4] 27.8 [8.2] 2.3
	95 [35]	Total BTUH [kW] Sens BTUH [kW] Power	42.0 [12.3] 27.7 [8.1] 2.6	40.5 [11.9] 23.8 [7.0] 2.5	39.0 [11.4] 20.2 [5.9] 2.5	39.8 [11.7] 33.0 [9.7] 2.6	38.4 [11.3] 28.8 [8.5] 2.5	37.0 [10.8] 24.8 [7.3] 2.5	36.9 [10.8] 35.8 [10.5] 2.5	35.6 [10.4] 31.4 [9.2] 2.5	34.3 [10.1] 27.3 [8.0] 2.5
	100 [37.8]	Total BTUH [kW] Sens BTUH [kW] Power	40.5 [11.9] 26.8 [7.9] 2.7	39.1 [11.5] 23.1 [6.8] 2.7	37.7 [11.0] 19.7 [5.8] 2.6	38.4 [11.3] 32.3 [9.5] 2.7	37.0 [10.8] 28.1 [8.2] 2.7	35.7 [10.5] 24.3 [7.1] 2.6	35.4 [10.4] 34.9 [10.2] 2.7	34.2 [10.0] 30.7 [9.0] 2.7	32.9 [9.6] 26.7 [7.8] 2.6
	105 [40.6]	Total BTUH [kW] Sens BTUH [kW] Power	38.9 [11.4] 25.8 [7.6] 2.9	37.5 [11.0] 22.2 [6.5] 2.8	36.2 [10.6] 18.9 [5.5] 2.8	36.7 [10.8] 31.2 [9.2] 2.9	35.5 [10.4] 27.3 [8.0] 2.8	34.2 [10.0] 23.6 [6.9] 2.8	33.8 [9.9] 33.8 [9.9] 2.9	32.6 [9.6] 29.8 [8.7] 2.8	31.4 [9.2] 25.9 [7.6] 2.8
	110 [43.3]	Total BTUH [kW] Sens BTUH [kW] Power	37.1 [10.9] 24.5 [7.2] 3.0	35.8 [10.5] 21.1 [6.2] 3.0	34.5 [10.1] 18.0 [5.3] 2.9	35.0 [10.3] 30.0 [8.8] 3.0	33.8 [9.9] 26.2 [7.7] 3.0	32.5 [9.5] 22.6 [6.6] 2.9	32.1 [9.4] 32.1 [9.4] 3.0	31.0 [9.1] 28.8 [8.5] 3.0	29.8 [8.7] 25.0 [7.3] 2.9
	115 [46.1]	Total BTUH [kW] Sens BTUH [kW] Power	35.3 [10.3] 23.1 [6.8] 3.2	34.0 [10.0] 19.8 [5.8] 3.2	32.8 [9.6] 16.9 [5.0] 3.1	33.1 [9.7] 28.4 [8.3] 3.2	32.0 [9.4] 24.9 [7.3] 3.2	30.8 [9.0] 21.5 [6.3] 3.1	30.2 [8.9] 30.2 [8.9] 3.2	29.1 [8.5] 27.4 [8.0] 3.2	28.1 [8.2] 23.9 [7.0] 3.1

DR —Depression ratio
dbE —Entering air dry bulb
wbE—Entering air wet bulb

Total —Total capacity x 1000 BTUH
Sens —Sensible capacity x 1000 BTUH
Power—KW input

NOTES:

① When the entering air dry bulb is other than 80°F [27°C], adjust the sensible capacity from the table by adding [1.10 x CFM x (1 - DR) x (dbE - 80)].

HEATING PERFORMANCE DATA—RJPL-C036

IDB		60°F [15.5°C]			70°F [21.1°C]			80°F [26.7°C]			
CFM [L/s]		1440 [680]	1200 [566]	960 [453]	1440 [680]	1200 [566]	960 [453]	1440 [680]	1200 [566]	960 [453]	
OUTDOOR DRY BULB TEMPERATURE °F [°C]	0 [-17.8]	Total BTUH [kW] Power	10.4 [3.0] 1.7	10.3 [3.0] 1.7	10.1 [3.0] 1.7	9.1 [2.7] 1.9	9.0 [2.6] 2.0	8.9 [2.6] 2.0	7.8 [2.3] 2.2	7.7 [2.3] 2.3	7.6 [2.2] 2.3
	5 [26.7]	Total BTUH [kW] Power	12.9 [3.8] 1.7	12.7 [3.7] 1.7	12.5 [3.7] 1.8	11.6 [3.4] 1.9	11.4 [3.3] 2.0	11.3 [3.3] 2.0	10.3 [3.0] 2.2	10.2 [3.0] 2.3	10.0 [2.9] 2.3
	10 [-12.2]	Total BTUH [kW] Power	15.4 [4.5] 1.7	15.1 [4.4] 1.8	14.9 [4.4] 1.8	14.1 [4.1] 2.0	13.9 [4.1] 2.0	13.7 [4.0] 2.1	12.8 [3.8] 2.3	12.6 [3.7] 2.3	12.4 [3.6] 2.4
	15 [32.2]	Total BTUH [kW] Power	17.8 [5.2] 1.8	17.6 [5.2] 1.8	17.3 [5.1] 1.9	16.6 [4.9] 2.0	16.3 [4.8] 2.1	16.1 [4.7] 2.1	15.3 [4.5] 2.3	15.1 [4.4] 2.4	14.8 [4.3] 2.4
	20 [-6.6]	Total BTUH [kW] Power	20.3 [5.9] 1.8	20.0 [5.9] 1.9	19.7 [5.8] 1.9	19.0 [5.6] 2.1	18.8 [5.5] 2.1	18.5 [5.4] 2.2	17.8 [5.2] 2.3	17.5 [5.1] 2.4	17.3 [5.1] 2.5
	25 [37.8]	Total BTUH [kW] Power	22.8 [6.7] 1.8	22.5 [6.6] 1.9	22.2 [6.5] 1.9	21.5 [6.3] 2.1	21.2 [6.2] 2.1	20.9 [6.1] 2.2	20.2 [5.9] 2.4	19.9 [5.8] 2.4	19.7 [5.8] 2.5
	30 [-1.1]	Total BTUH [kW] Power	25.3 [7.4] 1.9	24.9 [7.3] 1.9	24.6 [7.2] 2.0	24.0 [7.0] 2.1	23.7 [6.9] 2.2	23.3 [6.8] 2.2	22.7 [6.7] 2.4	22.4 [6.6] 2.5	22.1 [6.5] 2.5
	35 [43.3]	Total BTUH [kW] Power	27.8 [8.1] 1.9	27.4 [8.0] 2.0	27.0 [7.9] 2.0	26.5 [7.8] 2.2	26.1 [7.6] 2.2	25.7 [7.5] 2.3	25.2 [7.4] 2.5	24.8 [7.3] 2.5	24.5 [7.2] 2.6
	40 [4.4]	Total BTUH [kW] Power	30.2 [8.9] 2.0	29.8 [8.7] 2.0	29.4 [8.6] 2.1	28.9 [8.5] 2.2	28.5 [8.4] 2.3	28.1 [8.2] 2.3	27.7 [8.1] 2.5	27.3 [8.0] 2.6	26.9 [7.9] 2.6
	45 [46.1]	Total BTUH [kW] Power	32.7 [9.6] 2.0	32.2 [9.4] 2.0	31.8 [9.3] 2.1	31.4 [9.2] 2.2	31.0 [9.1] 2.3	30.5 [8.9] 2.4	30.1 [8.8] 2.5	29.7 [8.7] 2.6	29.3 [8.6] 2.7
50 [10]	Total BTUH [kW] Power	35.2 [10.3] 2.0	34.7 [10.2] 2.1	34.2 [10.0] 2.1	33.9 [9.9] 2.3	33.4 [9.8] 2.3	33.0 [9.7] 2.4	32.6 [9.6] 2.6	32.2 [9.4] 2.6	31.7 [9.3] 2.7	

IDB—Indoor air dry bulb

[] Designates Metric Conversions





COOLING PERFORMANCE DATA—RJPL-C042

		ENTERING INDOOR AIR @ 80°F [26.7°C] dbE ①									
		71°F [21.7°C]			67°F [19.4°C]			63°F [17.2°C]			
wbE		1680 [793]	1400 [661]	1120 [529]	1680 [793]	1400 [661]	1120 [529]	1680 [793]	1400 [661]	1120 [529]	
CFM [L/s]		1680 [793]	1400 [661]	1120 [529]	1680 [793]	1400 [661]	1120 [529]	1680 [793]	1400 [661]	1120 [529]	
DR ①		.03	.06	.10	.03	.06	.10	.03	.06	.10	
OUTDOOR DRY BULB TEMPERATURE °F [°C]	75 [23.9]	Total BTUH [kW] Sens BTUH [kW] Power	54.8 [16.1] 34.1 [10.0] 2.5	52.8 [15.5] 29.2 [8.6] 2.4	50.9 [14.9] 24.8 [7.3] 2.4	51.6 [15.1] 40.3 [11.8] 2.4	49.8 [14.6] 35.1 [10.3] 2.4	48.0 [14.1] 30.2 [8.9] 2.4	48.3 [14.2] 44.0 [12.9] 2.4	46.6 [13.7] 38.5 [11.3] 2.4	44.9 [13.2] 33.4 [9.8] 2.3
	80 [26.7]	Total BTUH [kW] Sens BTUH [kW] Power	53.3 [15.6] 33.9 [9.9] 2.6	51.5 [15.1] 29.2 [8.6] 2.6	49.6 [14.5] 24.8 [7.3] 2.5	50.2 [14.7] 40.2 [11.8] 2.6	48.4 [14.2] 35.0 [10.3] 2.6	46.7 [13.7] 30.2 [8.9] 2.5	46.9 [13.7] 43.8 [12.8] 2.6	45.2 [13.2] 38.4 [11.3] 2.5	43.6 [12.8] 33.4 [9.8] 2.5
	85 [29.4]	Total BTUH [kW] Sens BTUH [kW] Power	51.9 [15.2] 33.6 [9.9] 2.8	50.0 [14.7] 28.8 [8.5] 2.7	48.2 [14.1] 24.5 [7.2] 2.7	48.7 [14.3] 39.9 [11.7] 2.8	47.0 [13.8] 34.8 [10.2] 2.7	45.3 [13.3] 30.0 [8.8] 2.7	45.4 [13.3] 43.5 [12.8] 2.7	43.8 [12.8] 38.2 [11.2] 2.7	42.2 [12.4] 33.2 [9.7] 2.7
	90 [32.2]	Total BTUH [kW] Sens BTUH [kW] Power	50.3 [14.7] 33.0 [9.7] 3.0	48.6 [14.2] 28.5 [8.4] 2.9	46.8 [13.7] 24.2 [7.1] 2.9	47.2 [13.8] 39.5 [11.6] 2.9	45.5 [13.3] 34.4 [10.1] 2.9	43.9 [12.9] 29.7 [8.7] 2.8	43.9 [12.9] 43.0 [12.6] 2.9	42.3 [12.4] 37.7 [11.1] 2.9	40.8 [12.0] 32.8 [9.6] 2.8
	95 [35]	Total BTUH [kW] Sens BTUH [kW] Power	48.7 [14.3] 32.3 [9.5] 3.1	47.0 [13.8] 27.8 [8.2] 3.1	45.3 [13.3] 23.7 [7.0] 3.0	45.6 [13.4] 38.7 [11.4] 3.1	44.0 [12.9] 33.8 [9.9] 3.1	42.4 [12.4] 29.2 [8.6] 3.0	42.3 [12.4] 42.2 [12.4] 3.1	40.8 [12.0] 37.1 [10.9] 3.0	39.3 [11.5] 32.3 [9.5] 3.0
	100 [37.8]	Total BTUH [kW] Sens BTUH [kW] Power	47.1 [13.8] 31.3 [9.2] 3.3	45.4 [13.3] 26.9 [7.9] 3.3	43.8 [12.8] 22.9 [6.7] 3.2	43.9 [12.9] 37.6 [11.0] 3.3	42.4 [12.4] 32.9 [9.7] 3.3	40.8 [12.0] 28.4 [8.3] 3.2	40.6 [11.9] 40.6 [11.9] 3.3	39.2 [11.5] 36.3 [10.6] 3.2	37.8 [11.1] 31.6 [9.3] 3.2
	105 [40.6]	Total BTUH [kW] Sens BTUH [kW] Power	45.4 [13.3] 30.1 [8.8] 3.5	43.8 [12.8] 25.9 [7.6] 3.5	42.2 [12.4] 22.0 [6.5] 3.4	42.2 [12.4] 36.4 [10.7] 3.5	40.7 [11.9] 31.8 [9.3] 3.5	39.2 [11.5] 27.5 [8.1] 3.4	38.9 [11.4] 38.9 [11.4] 3.5	37.5 [11.0] 35.2 [10.3] 3.4	36.2 [10.6] 30.7 [9.0] 3.4
	110 [43.3]	Total BTUH [kW] Sens BTUH [kW] Power	43.6 [12.8] 28.6 [8.4] 3.7	42.1 [12.3] 24.7 [7.2] 3.7	40.5 [11.9] 20.9 [6.1] 3.6	40.4 [11.8] 35.0 [10.3] 3.7	39.0 [11.4] 30.6 [9.0] 3.7	37.6 [11.0] 26.5 [7.8] 3.6	37.1 [10.9] 37.1 [10.9] 3.7	35.8 [10.5] 34.0 [10.0] 3.6	34.5 [10.1] 29.6 [8.7] 3.6
	115 [46.1]	Total BTUH [kW] Sens BTUH [kW] Power	41.7 [12.2] 27.0 [7.9] 4.0	40.3 [11.8] 23.3 [6.8] 3.9	38.8 [11.4] 19.8 [5.8] 3.8	38.6 [11.3] 33.3 [9.8] 3.9	37.2 [10.9] 29.1 [8.5] 3.9	35.9 [10.5] 25.2 [7.4] 3.8	35.3 [10.3] 35.3 [10.4] 3.9	34.0 [10.0] 32.5 [9.5] 3.9	32.8 [9.6] 28.4 [8.3] 3.8

DR —Depression ratio
dbE —Entering air dry bulb
wbE —Entering air wet bulb

Total —Total capacity x 1000 BTUH
Sens —Sensible capacity x 1000 BTUH
Power —KW input

NOTES:

① When the entering air dry bulb is other than 80°F [27°C], adjust the sensible capacity from the table by adding [1.10 x CFM x (1 – DR) x (dbE – 80)].

HEATING PERFORMANCE DATA—RJPL-C042

		60°F [15.5°C]			70°F [21.1°C]			80°F [26.7°C]			
IDB		1680 [793]	1400 [661]	1120 [529]	1680 [793]	1400 [661]	1120 [529]	1680 [793]	1400 [661]	1120 [529]	
CFM [L/s]		1680 [793]	1400 [661]	1120 [529]	1680 [793]	1400 [661]	1120 [529]	1680 [793]	1400 [661]	1120 [529]	
OUTDOOR DRY BULB TEMPERATURE °F [°C]	0 [-17.8]	Total BTUH [kW] Power	13.8 [4.0] 1.8	13.6 [4.0] 1.9	13.4 [3.9] 1.9	12.3 [3.6] 2.1	12.2 [3.6] 2.2	12.0 [3.5] 2.2	10.9 [3.2] 2.5	10.8 [3.2] 2.5	10.6 [3.1] 2.6
	5 [26.7]	Total BTUH [kW] Power	16.6 [4.9] 1.9	16.3 [4.8] 1.9	16.1 [4.7] 2.0	15.1 [4.4] 2.2	14.9 [4.4] 2.2	14.7 [4.3] 2.3	13.7 [4.0] 2.5	13.5 [4.0] 2.6	13.3 [3.9] 2.6
	10 [-12.2]	Total BTUH [kW] Power	19.4 [5.7] 1.9	19.1 [5.6] 2.0	18.8 [5.5] 2.0	17.9 [5.2] 2.2	17.7 [5.2] 2.3	17.4 [5.1] 2.3	16.5 [4.8] 2.5	16.3 [4.8] 2.6	16.0 [4.7] 2.7
	15 [32.2]	Total BTUH [kW] Power	22.1 [6.5] 2.0	21.8 [6.4] 2.0	21.5 [6.3] 2.1	20.7 [6.1] 2.3	20.4 [6.0] 2.3	20.1 [5.9] 2.4	19.3 [5.7] 2.6	19.0 [5.6] 2.7	18.7 [5.5] 2.7
	20 [-6.6]	Total BTUH [kW] Power	24.9 [7.3] 2.0	24.6 [7.2] 2.1	24.2 [7.1] 2.1	23.5 [6.9] 2.3	23.2 [6.8] 2.4	22.8 [6.7] 2.4	22.1 [6.5] 2.6	21.8 [6.4] 2.7	21.5 [6.3] 2.8
	25 [37.8]	Total BTUH [kW] Power	27.7 [8.1] 2.1	27.3 [8.0] 2.1	26.9 [7.9] 2.2	26.3 [7.7] 2.4	25.9 [7.6] 2.4	25.6 [7.5] 2.5	24.9 [7.3] 2.7	24.5 [7.2] 2.8	24.2 [7.1] 2.8
	30 [-1.1]	Total BTUH [kW] Power	30.5 [8.9] 2.1	30.1 [8.8] 2.2	29.7 [8.7] 2.2	29.1 [8.5] 2.4	28.7 [8.4] 2.5	28.3 [8.3] 2.5	27.7 [8.1] 2.7	27.3 [8.0] 2.8	26.9 [7.9] 2.9
	35 [43.3]	Total BTUH [kW] Power	33.3 [9.8] 2.2	32.8 [9.6] 2.2	32.4 [9.5] 2.3	31.9 [9.3] 2.5	31.4 [9.2] 2.5	31.0 [9.1] 2.6	30.4 [8.9] 2.8	30.0 [8.8] 2.9	29.6 [8.7] 2.9
	40 [4.4]	Total BTUH [kW] Power	36.1 [10.6] 2.2	35.6 [10.4] 2.3	35.1 [10.3] 2.3	34.7 [10.2] 2.5	34.2 [10.0] 2.6	33.7 [9.9] 2.6	33.2 [9.7] 2.8	32.8 [9.6] 2.9	32.3 [9.5] 3.0
	45 [46.1]	Total BTUH [kW] Power	38.9 [11.4] 2.3	38.3 [11.2] 2.3	37.8 [11.1] 2.4	37.4 [11.0] 2.6	36.9 [10.8] 2.6	36.4 [10.7] 2.6	36.0 [10.6] 2.9	35.5 [10.4] 3.0	35.0 [10.3] 3.0
50 [10]	Total BTUH [kW] Power	41.7 [12.2] 2.3	41.1 [12.0] 2.4	40.5 [11.9] 2.4	40.2 [11.8] 2.6	39.7 [11.6] 2.7	39.1 [11.5] 2.7	38.8 [11.4] 2.9	38.3 [11.2] 3.0	37.7 [11.0] 3.1	

IDB—Indoor air dry bulb

[] Designates Metric Conversions





COOLING PERFORMANCE DATA—RJPL-C048

		ENTERING INDOOR AIR @ 80°F [26.7°C] dbE ①									
		71°F [21.7°C]			67°F [19.4°C]			63°F [17.2°C]			
		1920 [906]	1600 [755]	1280 [604]	1920 [906]	1600 [755]	1280 [604]	1920 [906]	1600 [755]	1280 [604]	
		CFM [L/s]									
		DR ①	.02	.06	.09	.02	.06	.09	.02	.06	.09
OUTDOOR DRY BULB TEMPERATURE °F [°C]	75 [23.9]	Total BTUH [kW]	63.2 [18.5]	61.0 [17.9]	58.8 [17.2]	59.7 [17.5]	57.6 [16.9]	55.5 [16.3]	58.2 [17.1]	56.2 [16.5]	54.1 [15.9]
		Sens BTUH [kW]	40.8 [12.0]	35.1 [10.3]	29.8 [8.7]	48.2 [14.1]	42.0 [12.3]	36.2 [10.6]	54.0 [15.8]	47.4 [13.9]	41.1 [12.1]
		Power	2.7	2.7	2.6	2.7	2.7	2.6	2.7	2.7	2.6
	80 [26.7]	Total BTUH [kW]	61.0 [17.9]	58.9 [17.3]	56.7 [16.6]	57.5 [16.9]	55.5 [16.3]	53.5 [15.7]	56.0 [16.4]	54.0 [15.8]	52.1 [15.3]
		Sens BTUH [kW]	39.7 [11.6]	34.2 [10.0]	29.0 [8.5]	47.1 [13.8]	41.1 [12.1]	35.5 [10.4]	52.9 [15.5]	46.4 [13.6]	40.3 [11.8]
		Power	2.9	2.9	2.8	2.9	2.8	2.8	2.9	2.8	2.8
	85 [29.4]	Total BTUH [kW]	58.9 [17.3]	56.9 [16.7]	54.8 [16.1]	55.4 [16.2]	53.5 [15.7]	51.5 [15.1]	53.9 [15.8]	52.0 [15.2]	50.1 [14.7]
		Sens BTUH [kW]	38.6 [11.3]	33.3 [9.8]	28.3 [8.3]	46.0 [13.5]	40.2 [11.8]	34.6 [10.2]	51.8 [15.2]	45.5 [13.3]	39.5 [11.6]
		Power	3.1	3.0	3.0	3.1	3.0	3.0	3.0	3.0	2.9
	90 [32.2]	Total BTUH [kW]	57.0 [16.7]	55.0 [16.1]	53.0 [15.5]	53.5 [15.7]	51.6 [15.1]	49.7 [14.6]	51.9 [15.2]	50.1 [14.7]	48.3 [14.2]
Sens BTUH [kW]		37.7 [11.1]	32.5 [9.5]	27.7 [8.1]	45.2 [13.3]	39.4 [11.6]	34.0 [10.0]	50.7 [14.9]	44.6 [13.1]	38.8 [11.4]	
Power		3.3	3.2	3.2	3.3	3.2	3.2	3.2	3.2	3.1	
95 [35]	Total BTUH [kW]	55.1 [16.1]	53.2 [15.6]	51.2 [15.0]	51.6 [15.1]	49.8 [14.6]	48.0 [14.1]	50.1 [14.7]	48.3 [14.2]	46.6 [13.7]	
	Sens BTUH [kW]	36.6 [10.7]	31.6 [9.3]	26.8 [7.9]	44.1 [12.9]	38.5 [11.3]	33.3 [9.8]	49.9 [14.6]	43.8 [12.8]	38.2 [11.2]	
	Power	3.5	3.4	3.4	3.5	3.4	3.4	3.5	3.4	3.3	
100 [37.8]	Total BTUH [kW]	53.4 [15.6]	51.5 [15.1]	49.6 [14.5]	49.9 [14.6]	48.1 [14.1]	46.4 [13.6]	48.3 [14.2]	46.6 [13.7]	44.9 [13.2]	
	Sens BTUH [kW]	35.8 [10.5]	30.8 [9.0]	26.2 [7.7]	43.2 [12.7]	37.7 [11.1]	32.6 [9.6]	48.3 [14.2]	42.9 [12.6]	37.4 [11.0]	
	Power	3.7	3.7	3.6	3.7	3.6	3.6	3.7	3.6	3.5	
105 [40.6]	Total BTUH [kW]	51.8 [15.2]	49.9 [14.6]	48.1 [14.1]	48.2 [14.1]	46.6 [13.7]	44.9 [13.2]	46.7 [13.7]	45.1 [13.2]	43.4 [12.7]	
	Sens BTUH [kW]	34.8 [10.2]	29.9 [8.8]	25.5 [7.5]	42.1 [12.3]	36.9 [10.8]	31.9 [9.4]	46.7 [13.7]	42.2 [12.4]	36.7 [10.8]	
	Power	4.0	3.9	3.8	3.9	3.9	3.8	3.9	3.8	3.8	
110 [43.3]	Total BTUH [kW]	50.3 [14.7]	48.5 [14.2]	46.7 [13.7]	46.8 [13.7]	45.1 [13.2]	43.5 [12.7]	45.2 [13.2]	43.6 [12.8]	42.1 [12.3]	
	Sens BTUH [kW]	33.9 [9.9]	29.2 [8.6]	24.8 [7.3]	41.3 [12.1]	36.1 [10.6]	31.3 [9.2]	45.2 [13.3]	41.4 [12.1]	36.2 [10.6]	
	Power	4.2	4.1	4.1	4.2	4.1	4.0	4.2	4.1	4.0	
115 [46.1]	Total BTUH [kW]	48.9 [14.3]	47.2 [13.8]	45.5 [13.3]	45.4 [13.3]	43.8 [12.8]	42.2 [12.4]	43.9 [12.9]	42.3 [12.4]	40.8 [12.0]	
	Sens BTUH [kW]	33.0 [9.7]	28.5 [8.4]	24.3 [7.1]	40.5 [11.9]	35.4 [10.4]	30.6 [9.0]	43.9 [12.9]	40.7 [11.9]	35.5 [10.4]	
	Power	4.5	4.4	4.3	4.4	4.4	4.3	4.4	4.3	4.3	

DR —Depression ratio
dbE —Entering air dry bulb
wbE —Entering air wet bulb

Total —Total capacity x 1000 BTUH
Sens —Sensible capacity x 1000 BTUH
Power —KW input

NOTES:

① When the entering air dry bulb is other than 80°F [27°C], adjust the sensible capacity from the table by adding [1.10 x CFM x (1 - DR) x (dbE - 80)].

HEATING PERFORMANCE DATA—RJPL-C048

		IDB	60°F [15.5°C]			70°F [21.1°C]			80°F [26.7°C]		
		CFM [L/s]	1920 [906]	1600 [755]	1280 [604]	1920 [906]	1600 [755]	1280 [604]	1920 [906]	1600 [755]	1280 [604]
OUTDOOR DRY BULB TEMPERATURE °F [°C]	0 [-17.8]	Total BTUH [kW]	16.8 [4.9]	16.5 [4.8]	16.3 [4.8]	15.0 [4.4]	14.8 [4.3]	14.6 [4.3]	13.3 [3.9]	13.1 [3.8]	12.9 [3.8]
		Power	2.2	2.3	2.3	2.6	2.6	2.7	3.0	3.1	3.2
	5 [26.7]	Total BTUH [kW]	20.2 [5.9]	19.9 [5.8]	19.6 [5.7]	18.5 [5.4]	18.2 [5.3]	17.9 [5.2]	16.7 [4.9]	16.5 [4.8]	16.2 [4.7]
		Power	2.3	2.3	2.4	2.6	2.7	2.8	3.0	3.1	3.2
	10 [-12.2]	Total BTUH [kW]	23.7 [6.9]	23.3 [6.8]	23.0 [6.7]	21.9 [6.4]	21.6 [6.3]	21.3 [6.2]	20.1 [5.9]	19.9 [5.8]	19.6 [5.7]
		Power	2.3	2.4	2.4	2.7	2.7	2.8	3.1	3.2	3.2
	15 [32.2]	Total BTUH [kW]	27.1 [7.9]	26.7 [7.8]	26.3 [7.7]	25.3 [7.4]	25.0 [7.3]	24.6 [7.2]	23.6 [6.9]	23.3 [6.8]	22.9 [6.7]
		Power	2.4	2.4	2.5	2.7	2.8	2.9	3.1	3.2	3.3
	20 [-6.6]	Total BTUH [kW]	30.5 [8.9]	30.1 [8.8]	29.7 [8.7]	28.8 [8.4]	28.4 [8.3]	28.0 [8.2]	27.0 [7.9]	26.6 [7.8]	26.3 [7.7]
		Power	2.4	2.5	2.5	2.8	2.8	2.9	3.2	3.3	3.3
25 [37.8]	Total BTUH [kW]	34.0 [10.0]	33.5 [9.8]	33.0 [9.7]	32.2 [9.4]	31.8 [9.3]	31.3 [9.2]	30.5 [8.9]	30.0 [8.8]	29.6 [8.7]	
	Power	2.5	2.5	2.6	2.8	2.9	3.0	3.2	3.3	3.4	
30 [-1.1]	Total BTUH [kW]	37.4 [11.0]	36.9 [10.8]	36.4 [10.7]	35.7 [10.5]	35.2 [10.3]	34.7 [10.2]	33.9 [9.9]	33.4 [9.8]	33.0 [9.7]	
	Power	2.5	2.6	2.6	2.9	2.9	3.0	3.3	3.4	3.4	
35 [43.3]	Total BTUH [kW]	40.9 [12.0]	40.3 [11.8]	39.7 [11.6]	39.1 [11.5]	38.6 [11.3]	38.0 [11.1]	37.4 [11.0]	36.8 [10.8]	36.3 [10.6]	
	Power	2.5	2.6	2.7	2.9	3.0	3.1	3.3	3.4	3.5	
40 [4.4]	Total BTUH [kW]	44.3 [13.0]	43.7 [12.8]	43.1 [12.6]	42.6 [12.5]	42.0 [12.3]	41.4 [12.1]	40.8 [12.0]	40.2 [11.8]	39.7 [11.6]	
	Power	2.6	2.7	2.7	2.9	3.0	3.1	3.4	3.4	3.5	
45 [46.1]	Total BTUH [kW]	47.8 [14.0]	47.1 [13.8]	46.4 [13.6]	46.0 [13.5]	45.4 [13.3]	44.7 [13.1]	44.2 [13.0]	43.6 [12.8]	43.0 [12.6]	
	Power	2.6	2.7	2.8	3.0	3.1	3.1	3.4	3.5	3.6	
50 [10]	Total BTUH [kW]	51.2 [15.0]	50.5 [14.8]	49.8 [14.6]	49.4 [14.5]	48.8 [14.3]	48.1 [14.1]	47.7 [14.0]	47.0 [13.8]	46.3 [13.6]	
	Power	2.7	2.7	2.8	3.0	3.1	3.2	3.5	3.5	3.6	

IDB—Indoor air dry bulb

[] Designates Metric Conversions





COOLING PERFORMANCE DATA—RJPL-C060

ENTERING INDOOR AIR @ 80°F [26.7°C] dbE ①											
wbE		71°F [21.7°C]			67°F [19.4°C]			63°F [17.2°C]			
CFM [L/s]		2220 [1048]	1850 [873]	1480 [698]	2220 [1048]	1850 [873]	1480 [698]	2220 [1048]	1850 [873]	1480 [698]	
DR ①		.04	.08	.13	.04	.08	.13	.04	.08	.13	
OUTDOOR DRY BULB TEMPERATURE °F [°C]	75 [23.9]	Total BTUH [kW]	73.6 [21.6]	71.0 [20.8]	68.4 [20.0]	70.3 [20.6]	67.9 [19.9]	65.4 [19.2]	66.4 [19.5]	64.1 [18.8]	61.8 [18.1]
		Sens BTUH [kW]	44.6 [13.1]	38.2 [11.2]	32.3 [9.5]	55.0 [16.1]	47.9 [14.0]	41.2 [12.1]	61.2 [17.9]	53.7 [15.7]	46.6 [13.7]
		Power	3.8	3.7	3.6	3.7	3.7	3.6	3.7	3.6	3.5
	80 [26.7]	Total BTUH [kW]	72.1 [21.1]	69.6 [20.4]	67.1 [19.7]	68.9 [20.2]	66.5 [19.5]	64.1 [18.8]	65.0 [19.0]	62.7 [18.4]	60.4 [17.7]
		Sens BTUH [kW]	44.2 [13.0]	37.9 [11.1]	32.1 [9.4]	54.6 [16.0]	47.5 [13.9]	40.9 [12.0]	60.8 [17.8]	53.3 [15.6]	46.2 [13.5]
		Power	4.0	3.9	3.8	3.9	3.9	3.8	3.9	3.8	3.7
	85 [29.4]	Total BTUH [kW]	70.5 [20.7]	68.0 [19.9]	65.6 [19.2]	67.3 [19.7]	64.9 [19.0]	62.5 [18.3]	63.4 [18.6]	61.1 [17.9]	58.9 [17.3]
		Sens BTUH [kW]	43.5 [12.8]	37.3 [10.9]	31.6 [9.3]	53.9 [15.8]	46.9 [13.8]	40.3 [11.8]	60.2 [17.7]	52.8 [15.5]	45.9 [13.5]
		Power	4.2	4.1	4.0	4.1	4.1	4.0	4.1	4.0	4.0
	90 [32.2]	Total BTUH [kW]	68.7 [20.1]	66.3 [19.4]	63.9 [18.7]	65.4 [19.2]	63.1 [18.5]	60.8 [17.8]	61.5 [18.0]	59.4 [17.4]	57.2 [16.8]
Sens BTUH [kW]		42.6 [12.5]	36.6 [10.7]	31.0 [9.1]	53.0 [15.5]	46.2 [13.5]	39.8 [11.7]	59.3 [17.4]	52.1 [15.3]	45.2 [13.3]	
Power		4.4	4.4	4.3	4.4	4.3	4.2	4.3	4.3	4.2	
95 [35]	Total BTUH [kW]	66.7 [19.5]	64.4 [18.9]	62.0 [18.2]	63.4 [18.6]	61.2 [17.9]	59.0 [17.3]	59.5 [17.4]	57.5 [16.9]	55.4 [16.2]	
	Sens BTUH [kW]	41.7 [12.2]	35.8 [10.5]	30.3 [8.9]	51.9 [15.2]	45.3 [13.3]	39.1 [11.5]	58.2 [17.1]	51.2 [15.0]	44.5 [13.1]	
	Power	4.7	4.6	4.5	4.6	4.6	4.5	4.6	4.5	4.4	
100 [37.8]	Total BTUH [kW]	64.5 [18.9]	62.2 [18.2]	60.0 [17.6]	61.2 [17.9]	59.1 [17.3]	57.0 [16.7]	57.4 [16.8]	55.4 [16.2]	53.3 [15.6]	
	Sens BTUH [kW]	40.3 [11.8]	34.6 [10.2]	29.4 [8.6]	50.7 [14.9]	44.3 [13.0]	38.3 [11.2]	57.1 [16.7]	50.2 [14.7]	43.6 [12.8]	
	Power	4.9	4.9	4.8	4.9	4.8	4.7	4.8	4.8	4.7	
105 [40.6]	Total BTUH [kW]	62.1 [18.2]	60.0 [17.6]	57.8 [16.9]	58.9 [17.3]	56.8 [16.6]	54.7 [16.0]	55.0 [16.1]	53.1 [15.6]	51.1 [15.0]	
	Sens BTUH [kW]	38.9 [11.4]	33.5 [9.8]	28.4 [8.3]	49.3 [14.5]	43.0 [12.6]	37.1 [10.9]	55.0 [16.1]	49.0 [14.4]	42.6 [12.5]	
	Power	5.2	5.1	5.0	5.2	5.1	5.0	5.1	5.0	4.9	
110 [43.3]	Total BTUH [kW]	59.6 [17.5]	57.5 [16.9]	55.4 [16.2]	56.3 [16.5]	54.4 [15.9]	52.4 [15.4]	52.4 [15.4]	50.6 [14.8]	48.8 [14.3]	
	Sens BTUH [kW]	37.4 [11.0]	32.1 [9.4]	27.2 [8.0]	47.7 [14.0]	41.7 [12.2]	36.0 [10.6]	52.4 [15.4]	47.6 [14.0]	41.5 [12.2]	
	Power	5.5	5.4	5.3	5.5	5.4	5.3	5.4	5.3	5.2	
115 [46.1]	Total BTUH [kW]	56.9 [16.7]	54.9 [16.1]	52.9 [15.5]	53.6 [15.7]	51.7 [15.2]	49.8 [14.6]	49.7 [14.6]	48.0 [14.1]	46.2 [13.5]	
	Sens BTUH [kW]	35.6 [10.4]	30.6 [9.0]	25.9 [7.6]	45.9 [13.5]	40.1 [11.8]	34.6 [10.2]	49.7 [14.6]	46.1 [13.5]	40.2 [11.8]	
	Power	5.8	5.7	5.6	5.8	5.7	5.6	5.7	5.6	5.5	

DR —Depression ratio
dbE —Entering air dry bulb
wbE—Entering air wet bulb

Total —Total capacity x 1000 BTUH
Sens —Sensible capacity x 1000 BTUH
Power—KW input

NOTES:

① When the entering air dry bulb is other than 80°F [27°C], adjust the sensible capacity from the table by adding [1.10 x CFM x (1 – DR) x (dbE – 80)].

HEATING PERFORMANCE DATA—RJPL-C060

IDB		60°F [15.5°C]			70°F [21.1°C]			80°F [26.7°C]			
CFM [L/s]		2220 [1048]	1850 [873]	1480 [698]	2220 [1048]	1850 [873]	1480 [698]	2220 [1048]	1850 [873]	1480 [698]	
OUTDOOR DRY BULB TEMPERATURE °F [°C]	0 [-17.8]	Total BTUH [kW]	23.0 [6.7]	22.7 [6.7]	22.4 [6.6]	21.3 [6.2]	21.0 [6.2]	20.7 [6.1]	19.6 [5.7]	19.3 [5.7]	19.1 [5.6]
		Power	3.0	3.1	3.2	3.5	3.6	3.7	4.0	4.1	4.2
	5 [26.7]	Total BTUH [kW]	27.0 [7.9]	26.6 [7.8]	26.2 [7.7]	25.3 [7.4]	24.9 [7.3]	24.6 [7.2]	23.6 [6.9]	23.3 [6.8]	22.9 [6.7]
		Power	3.1	3.2	3.2	3.6	3.6	3.7	4.1	4.2	4.3
	10 [-12.2]	Total BTUH [kW]	31.0 [9.1]	30.5 [8.9]	30.1 [8.8]	29.3 [8.6]	28.8 [8.4]	28.4 [8.3]	27.6 [8.1]	27.2 [8.0]	26.8 [7.9]
		Power	3.2	3.2	3.3	3.6	3.7	3.8	4.1	4.2	4.4
	15 [32.2]	Total BTUH [kW]	34.9 [10.2]	34.4 [10.1]	33.9 [9.9]	33.2 [9.7]	32.8 [9.6]	32.3 [9.5]	31.5 [9.2]	31.1 [9.1]	30.6 [9.0]
		Power	3.2	3.3	3.4	3.7	3.8	3.9	4.2	4.3	4.4
	20 [-6.6]	Total BTUH [kW]	38.9 [11.4]	38.4 [11.3]	37.8 [11.1]	37.2 [10.9]	36.7 [10.8]	36.1 [10.6]	35.5 [10.4]	35.0 [10.3]	34.5 [10.1]
		Power	3.3	3.4	3.5	3.8	3.9	4.0	4.3	4.4	4.5
25 [37.8]	Total BTUH [kW]	42.9 [12.6]	42.3 [12.4]	41.7 [12.2]	41.2 [12.1]	40.6 [11.9]	40.0 [11.7]	39.5 [11.6]	38.9 [11.4]	38.3 [11.2]	
	Power	3.4	3.5	3.6	3.9	4.0	4.1	4.4	4.5	4.6	
30 [-1.1]	Total BTUH [kW]	46.8 [13.7]	46.2 [13.5]	45.5 [13.3]	45.1 [13.2]	44.5 [13.0]	43.9 [12.9]	43.4 [12.7]	42.8 [12.5]	42.2 [12.4]	
	Power	3.5	3.5	3.6	3.9	4.0	4.1	4.4	4.6	4.7	
35 [43.3]	Total BTUH [kW]	50.8 [14.9]	50.1 [14.7]	49.4 [14.5]	49.1 [14.4]	48.4 [14.2]	47.7 [14.0]	47.4 [13.9]	46.7 [13.7]	46.1 [13.5]	
	Power	3.5	3.6	3.7	4.0	4.1	4.2	4.5	4.6	4.8	
40 [4.4]	Total BTUH [kW]	54.8 [16.1]	54.0 [15.8]	53.2 [15.6]	53.1 [15.6]	52.3 [15.3]	51.6 [15.1]	51.4 [15.1]	50.6 [14.8]	49.9 [14.6]	
	Power	3.6	3.7	3.8	4.1	4.2	4.3	4.6	4.7	4.8	
45 [46.1]	Total BTUH [kW]	58.7 [17.2]	57.9 [17.0]	57.1 [16.7]	57.0 [16.7]	56.2 [16.5]	55.4 [16.2]	55.3 [16.2]	54.5 [16.0]	53.8 [15.8]	
	Power	3.7	3.8	3.9	4.2	4.3	4.4	4.7	4.8	4.9	
50 [10]	Total BTUH [kW]	62.7 [18.4]	61.8 [18.1]	60.9 [17.8]	61.0 [17.9]	60.1 [17.6]	59.3 [17.4]	59.3 [17.4]	58.5 [17.1]	57.6 [16.9]	
	Power	3.8	3.9	4.0	4.2	4.3	4.5	4.7	4.9	5.0	

IDB—Indoor air dry bulb

[] Designates Metric Conversions



BELT-DRIVE AIRFLOW PERFORMANCE

Air Flow CFM (L/s)	Models RJNL/RJPL-C036 [10.55 kW] & A042 [12.31 kW]—Heat Pump (13 SEER)		External Static Pressure—Inches of Water (kPa)																																
	Voltage 208/230-460—3 Phase		0.1 [.02]		0.2 [.05]		0.3 [.07]		0.4 [.10]		0.5 [.12]		0.6 [.15]		0.7 [.17]		0.8 [.20]		0.9 [.22]		1.0 [.25]		1.1 [.27]		1.2 [.30]		1.3 [.32]		1.4 [.35]		1.5 [.37]				
	RPM	W	RPM	W	RPM	W	RPM	W	RPM	W	RPM	W	RPM	W	RPM	W	RPM	W	RPM	W	RPM	W	RPM	W	RPM	W	RPM	W	RPM	W	RPM	W			
900 [425]	—	—	—	665	290	730	300	315	830	330	375	360	990	410	1040	445	1080	470	1140	510	1190	540	1235	590	1305	610	1350	630	1385	660	1425	690	1465	710	
1000 [472]	—	—	625	275	680	295	750	310	805	325	850	345	895	375	935	390	970	410	1015	435	1065	465	1100	500	1160	530	1210	560	1250	600	1290	630	1335	660	1375
1100 [519]	—	—	640	300	710	315	780	325	830	340	875	365	915	390	955	405	990	430	1040	450	1080	485	1115	540	1180	540	1230	570	1270	600	1315	630	1355	660	1395
1200 [566]	—	—	670	315	735	330	800	345	850	365	895	410	975	430	1010	450	1060	475	1100	520	1145	560	1200	600	1250	630	1290	660	1335	690	1375	710	1415	740	1455
1300 [614]	625	315	700	330	770	350	830	370	875	400	915	415	955	440	990	450	1040	495	1085	530	1125	565	1165	590	1200	645	1250	675	1305	710	1350	740	1395	760	
1400 [661]	655	340	730	365	795	385	850	400	890	430	935	445	975	470	1010	500	1070	540	1110	575	1150	615	1195	645	1230	685	1280	725	1325	760	1370	800	1415	840	
1500 [708]	685	380	755	390	825	415	870	435	915	450	955	480	990	505	1040	545	1090	590	1135	630	1180	660	1220	720	1255	740	1295	785	1350	820	1395	865	1440	895	
1600 [755]	730	420	790	435	850	455	890	490	935	505	970	525	1005	550	1075	605	1110	640	1180	680	1200	730	1245	780	1280	800	1325	840	1365	885	1410	910	1455	940	
1700 [802]	755	465	825	475	875	505	915	535	955	550	985	570	1040	630	1100	685	1135	710	1185	750	1225	800	1265	830	1295	875	1350	910	1400	940	1475	985	1520	1010	
1800 [850]	790	500	850	530	890	550	935	570	975	600	1020	650	1080	690	1125	740	1165	770	1210	830	1245	870	1290	910	1310	930	1365	960	1400	990	1440	1010	1485	1040	

NOTE: Bold lines separate L, M and N drives respectively.

Drive Package	L						M						N (Field-Supplied)							
	Motor H.P. [w]	1/2 [373] (3/4 [559] - 575V)					3/4 [559]					N (Field-Supplied)								
Blower Sheave	6.9 Pitch Diameter						6.4 Pitch Diameter						6.4 Pitch Diameter							
Motor Sheave	Adjustable 2.4-3.4 Pitch Diameter						Adjustable 3.4-4.4 Pitch Diameter						Adjustable 4.0-5.0 Pitch Diameter							
Turns Open	0	1	2	3	4	5	6	0	1	2	3	4	5	6	RPM Range 1090-1365					
RPM	935	875	830	780	730	680	625	1295	1230	1185	1135	1085	1000	955	RPM Range 1090-1365					

Factory sheave settings are shown in bold print.

BELT-DRIVE AIRFLOW PERFORMANCE

Air Flow CFM (L/s)	Models RJNL/RJPL-C048 [14.06 kW]—Heat Pump (13 SEER)		External Static Pressure—Inches of Water (kPa)																														
	Voltage 208/230-460—3 Phase		0.1 [.02]		0.2 [.05]		0.3 [.07]		0.4 [.10]		0.5 [.12]		0.6 [.15]		0.7 [.17]		0.8 [.20]		0.9 [.22]		1.0 [.25]		1.1 [.27]		1.2 [.30]		1.3 [.32]		1.4 [.35]		1.5 [.37]		
	RPM	W	RPM	W	RPM	W	RPM	W	RPM	W	RPM	W	RPM	W	RPM	W	RPM	W	RPM	W	RPM	W	RPM	W	RPM	W	RPM	W	RPM	W	RPM	W	
1200 [566]	—	—	—	745	340	810	375	865	390	900	400	945	420	1000	440	1040	460	1075	490	1115	540	1170	580	1215	620	1260	650	1300	685	1350	740	1400	
1300 [614]	—	—	695	330	770	365	835	395	880	415	920	435	975	455	1010	470	1060	490	1100	530	1140	570	1190	600	1235	640	1270	685	1315	1355	1400		
1400 [661]	—	—	725	350	795	395	855	420	895	435	945	455	995	470	1030	500	1070	520	1115	560	1160	600	1205	640	1250	685	1290	745	1335	810	865		
1500 [708]	690	360	750	390	820	425	875	450	920	465	970	480	1010	500	1055	560	1100	580	1140	630	1180	660	1230	700	1270	760	1315	815	1350	865	1400	935	
1600 [755]	720	390	780	430	850	460	895	480	945	500	990	530	1035	565	1075	590	1115	635	1160	680	1205	725	1250	770	1290	830	1335	890	1365	935	1400	960	
1700 [802]	750	430	810	465	870	485	920	500	970	530	1015	570	1055	600	1090	645	1140	695	1180	735	1225	790	1270	845	1315	910	1350	960	1400	995	1030	1060	
1800 [850]	780	475	840	515	895	540	945	555	990	600	1035	625	1080	660	1115	710	1155	740	1205	860	1250	860	1295	930	1340	995	1365	1030	1060	1100	1140	1180	1220
1900 [897]	820	520	870	560	925	580	970	600	1015	640	1060	690	1115	750	1145	790	1185	835	1225	880	1275	900	1315	1010	1355	1060	1100	1140	1180	1220	1260	1300	1340
2000 [944]	850	565	900	610	950	630	1000	665	1045	715	1090	760	1130	810	1170	865	1205	900	1255	965	1300	1050	1340	1100	1365	1140	1180	1220	1260	1300	1340	1380	1420

NOTE: Bold lines separate L, M and N drives respectively.

Drive Package	L						M						N (Field-Supplied)							
	Motor H.P. [w]	1/2 [373] (3/4 [559] - 575V)					3/4 [559]					N (Field-Supplied)								
Blower Sheave	6.9 Pitch Diameter						6.4 Pitch Diameter						6.4 Pitch Diameter							
Motor Sheave	Adjustable 2.8-3.8 Pitch Diameter						Adjustable 3.4-4.4 Pitch Diameter						Adjustable 4.0-5.0 Pitch Diameter							
Turns Open	0	1	2	3	4	5	6	0	1	2	3	4	5	6	RPM Range 1090-1365					
RPM	990	945	895	850	800	750	695	1270	1225	1170	1115	1065	1015	965	RPM Range 1090-1365					

Factory sheave settings are shown in bold print.

Note: See component air resistance table in this manual.

[] Designates Metric Conversions

BELT-DRIVE AIRFLOW PERFORMANCE

Air Flow CFM (L/s)	Model RJNL/RJPL-C060 [17.58 kW]—Heat Pump (13 SEER)																															
	Voltage 208/230-460—3 Phase																															
	External Static Pressure—Inches of Water [kPa]																															
	0.1 [.02]		0.2 [.05]		0.3 [.07]		0.4 [.10]		0.5 [.12]		0.6 [.15]		0.7 [.17]		0.8 [.20]		0.9 [.22]		1.0 [.25]		1.1 [.27]		1.2 [.30]		1.3 [.32]		1.4 [.35]		1.5 [.37]			
	RPM	W	RPM	W	RPM	W	RPM	W	RPM	W	RPM	W	RPM	W	RPM	W	RPM	W	RPM	W	RPM	W	RPM	W	RPM	W	RPM	W	RPM	W	RPM	W
1400 [661]	—	—	—	—	780	370	815	385	875	425	930	460	970	480	1030	540	1065	570	1105	595	1150	615	1195	645	1235	660	1300	705	1340	745		
1500 [708]	—	—	—	—	795	405	840	415	895	440	945	500	995	540	1045	595	1080	615	1135	650	1165	675	1215	700	1255	735	1320	775	1355	805		
1600 [755]	—	—	780	390	805	425	870	470	915	510	965	560	1015	600	1060	640	1105	680	1145	705	1180	730	1225	750	1275	790	1340	840	1365	880		
1700 [802]	—	—	795	450	815	470	870	540	915	540	965	570	990	605	1035	640	1075	680	1120	725	1160	755	1200	790	1245	815	1300	855	1335	905		
1800 [850]	780	455	815	470	870	540	915	540	965	570	1010	660	1055	710	1100	760	1140	785	1175	810	1225	850	1260	880	1320	930	1365	985	1390	1020		
1900 [897]	800	485	850	530	895	590	945	640	995	675	1035	720	1070	775	1120	810	1160	850	1200	890	1245	915	1290	960	1335	1000	1375	1050	1405	1100		
2000 [944]	830	550	880	605	930	655	970	700	1015	730	1055	790	1105	830	1145	875	1180	910	1225	950	1260	980	1320	1035	1350	1075	1385	1120	—	—		
2100 [991]	860	615	915	655	955	705	1005	760	1040	820	1090	870	1130	910	1170	950	1210	995	1250	1020	1290	1060	1335	1100	1370	1150	1400	1200	—	—		
2200 [1038]	895	680	945	735	995	780	1030	830	1060	880	1120	940	1155	980	1195	1020	1240	1055	1275	1100	1320	1140	1360	1180	1385	1225	—	—	—	—		
2300 [1085]	940	755	975	795	1015	830	1065	910	1100	965	1150	1025	1180	1050	1225	1095	1265	1125	1310	1175	1350	1230	1375	1260	1405	1320	—	—	—	—		
2400 [1133]	970	825	1015	880	1040	925	1100	1005	1145	1055	1175	1085	1225	1140	1260	1175	1300	1210	1340	1255	1370	1315	1400	1375	—	—	—	—	—	—		

NOTE: L-Drive left of bold line, M-Drive right of bold line.

Drive Package	L						M							
	3/4 [559]						1 [746]							
Motor H.P. [w]	6.4 Pitch Diameter						6.4 Pitch Diameter							
Blower Sheave	Adjustable 2.8-3.8 Pitch Diameter						Adjustable 3.4-4.4 Pitch Diameter							
Motor Sheave	Adjustable 2.8-3.8 Pitch Diameter						Adjustable 3.4-4.4 Pitch Diameter							
Turns Open	0	1	2	3	4	5	6	0	1	2	3	4	5	6
RPM	1095	1040	995	940	890	835	780	1405	1360	1305	1250	1195	1145	1095

Factory sheave settings are shown in bold print.

COMPONENT AIR RESISTANCE

Component	Standard Indoor Airflow—CFM [L/s]							
	1000 [472]	1200 [566]	1400 [661]	1600 [755]	1800 [850]	2000 [944]	2200 [1038]	2400 [1133]
Wet Coil	.035	.040	.060	.070	.085	.100	.110	.120
Downflow	.055	.060	.066	.072	.080	.086	.093	.100
Economizer R.A. Damper	.05	.06	.07	.08	.09	.10	.11	.12

NOTES:

1. Performance shown with dry coil, standard 1" [25.4 mm] filters & side discharge. Add component resistance to determine total E.S.P.
2. Standard CFM @ .075 lbs./cu. ft.
3. Motor efficiency = 80%
4. BHP = $\frac{\text{Watts} \times \text{Motor Eff.}}{746}$

[] Designates Metric Conversions



AIRFLOW PERFORMANCE 6 TON [21.1 kW] SIDEFLOW

Air Flow CFM [L/s]	External Static Pressure—Inches of Water [kPa]																																						
	Model RJNL-C072 Voltage 208/230-575—3 Phase																																						
	0.1 [.02]	0.2 [.05]	0.3 [.07]	0.4 [.10]	0.5 [.12]	0.6 [.15]	0.7 [.17]	0.8 [.20]	0.9 [.22]	1.0 [.25]	1.1 [.27]	1.2 [.30]	1.3 [.32]	1.4 [.35]	1.5 [.37]	1.0 [.25]	1.1 [.27]	1.2 [.30]	1.3 [.32]	1.4 [.35]	1.5 [.37]																		
1900 [947]	885	834	920	873	955	914	990	958	1024	1004	1058	1053	1091	1104	1125	1158	1158	1214	1190	1273	1222	1334	1254	1388	1286	1465	1317	1533	1348	1605	1181	1181	1021	1217	1074	1252	1130	1287	1188
2000 [944]	—	—	—	—	847	656	687	720	962	755	999	793	1036	834	1073	877	1110	923	1110	923	1146	971	1181	1021	1217	1074	1252	1130	1287	1188	1181	1181	1021	1217	1074	1252	1130	1287	1188
2100 [991]	—	—	—	—	872	706	910	740	947	776	984	815	1020	856	1057	900	1092	947	1128	995	1163	1047	1198	1101	1232	1157	1266	1216	1300	1277	1181	1181	1021	1217	1074	1252	1130	1287	1188
2200 [1038]	854	762	890	797	926	835	962	876	997	919	1032	964	1066	1012	1101	1062	1135	1115	1168	1171	1201	1229	1234	1289	1267	1352	1299	1418	1331	1486	1181	1181	1021	1217	1074	1252	1130	1287	1188
2300 [1085]	885	834	920	873	955	914	990	958	1024	1004	1058	1053	1091	1104	1125	1158	1158	1214	1190	1273	1222	1334	1254	1388	1286	1465	1317	1533	1348	1605	1181	1181	1021	1217	1074	1252	1130	1287	1188
2400 [1133]	917	917	951	959	985	1004	1019	1051	1052	1100	1085	1152	1118	1207	1150	1264	1182	1323	1213	1385	1245	1450	1276	1517	1306	1587	1336	1659	1366	1733	1181	1181	1021	1217	1074	1252	1130	1287	1188
2500 [1180]	950	1009	983	1055	1016	1103	1049	1153	1081	1206	1113	1261	1145	1319	1176	1379	1207	1442	1238	1508	1268	1575	1298	1646	1328	1719	1357	1794	1386	1872	1181	1181	1021	1217	1074	1252	1130	1287	1188
2600 [1227]	985	1112	1017	1160	1049	1211	1081	1265	1112	1321	1143	1380	1174	1441	1204	1505	1284	1571	1264	1639	1293	1711	1322	1784	1351	1861	1379	1939	1407	2020	1181	1181	1021	1217	1074	1252	1130	1287	1188
2700 [1274]	1020	1224	1052	1276	1083	1330	1114	1387	1144	1446	1174	1508	1204	1573	1233	1640	1262	1709	1291	1781	1319	1856	1347	1933	1375	2012	—	—	—	—	1181	1181	1021	1217	1074	1252	1130	1287	1188
2800 [1321]	1057	1345	1088	1401	1118	1458	1148	1519	1177	1582	1206	1647	1235	1715	1263	1785	1291	1858	1319	1933	1346	2011	—	—	—	—	—	—	—	—	1181	1181	1021	1217	1074	1252	1130	1287	1188
2900 [1368]	1096	1477	1125	1536	1154	1597	1183	1660	1211	1726	1240	1795	1267	1866	1295	1940	1322	2016	—	—	—	—	—	—	—	—	—	—	—	—	1181	1181	1021	1217	1074	1252	1130	1287	1188

NOTE: L-Drive left of bold line, M-Drive right of bold line.

Drive Package	L	M
Motor H.P. [w]	1.5 [1118.5]	1.5 [1118.5]
Blower Sheave	AK66	AK59
Motor Sheave	1VP-44	1VP-50
Turns Open	0 1 2 3 4 5 6	0 1 2 3 4 5 6
RPM	1103 1052 1002 956 900 849	1381 1326 1272 1220 1163 1108

NOTES: 1. Factory sheave settings are shown in bold type.

2. Do not set motor sheave below minimum or above maximum turns open shown.

3. Re-adjustment of sheave required to achieve rated airflow at AHRI minimum External Static Pressure

4. Drive data shown is for horizontal airflow with dry coil. Add component resistance (below) to duct resistance to determine total External Static Pressure.

COMPONENT AIR RESISTANCE 6 TON [21.1 kW]

Component	Standard Indoor Airflow—CFM [L/s]												Resistance—Inches Water [kPa]					
	1900 [897]	2000 [944]	2100 [991]	2200 [1038]	2300 [1085]	2400 [1133]	2500 [1180]	2600 [1227]	2700 [1274]	2800 [1321]	2900 [1368]	0.05	0.06	0.07	0.08	0.09	0.10	
Wet Coil	0.05 [0.01]	0.06 [0.01]	0.07 [0.02]	0.08 [0.02]	0.08 [0.02]	0.08 [0.02]	0.10 [0.02]	0.11 [0.03]	0.11 [0.03]	0.11 [0.03]	0.12 [0.03]	0.12 [0.03]	0.12 [0.03]	0.12 [0.03]	0.12 [0.03]	0.12 [0.03]	0.12 [0.03]	
Downflow	0.03 [0.01]	0.04 [0.01]	0.05 [0.01]	0.06 [0.01]	0.06 [0.01]	0.07 [0.02]	0.08 [0.02]	0.09 [0.02]	0.09 [0.02]	0.10 [0.02]	0.10 [0.02]	0.10 [0.02]	0.10 [0.02]	0.10 [0.02]	0.10 [0.02]	0.10 [0.02]	0.10 [0.02]	
Downflow Economizer RA Damper Open	0.08 [0.02]	0.08 [0.02]	0.09 [0.02]	0.09 [0.02]	0.09 [0.02]	0.10 [0.02]	0.10 [0.02]	0.11 [0.03]	0.11 [0.03]	0.11 [0.03]	0.12 [0.03]	0.12 [0.03]	0.12 [0.03]	0.12 [0.03]	0.12 [0.03]	0.12 [0.03]	0.12 [0.03]	
Horizontal Economizer RA Damper Open	0.08 [0.02]	0.08 [0.02]	0.09 [0.02]	0.09 [0.02]	0.09 [0.02]	0.10 [0.02]	0.10 [0.02]	0.11 [0.03]	0.11 [0.03]	0.11 [0.03]	0.12 [0.03]	0.12 [0.03]	0.12 [0.03]	0.12 [0.03]	0.12 [0.03]	0.12 [0.03]	0.12 [0.03]	
Concentric Grill RXRN-FA65 or RXRN-FA75 & Transition RXMIC-CC04	0.07 [0.02]	0.08 [0.02]	0.09 [0.02]	0.10 [0.02]	0.10 [0.02]	0.12 [0.03]	0.12 [0.03]	0.13 [0.04]	0.13 [0.04]	0.13 [0.04]	0.14 [0.04]	0.14 [0.04]	0.14 [0.04]	0.14 [0.04]	0.14 [0.04]	0.14 [0.04]	0.14 [0.04]	

[] Designates Metric Conversions

ELECTRICAL DATA – RJNL-C SERIES											
		C036CL	C036CM	C036DL	C036DM	C042CL	C042CM	C042DL	C042DM	C048CL	C048CM
Unit Information	Unit Operating Voltage Range	187-253	187-253	414-506	414-506	187-253	187-253	414-506	414-506	187-253	187-253
	Volts	208/230	208/230	460	460	208/230	208/230	460	460	208/230	208/230
	Minimum Circuit Ampacity	18/18	19/19	10	10	22/22	22/22	10	11	22/22	23/23
	Minimum Overcurrent Protection Device Size	20/20	25/25	15	15	25/25	30/30	15	15	25/25	30/30
	Maximum Overcurrent Protection Device Size	25/25	25/25	15	15	30/30	35/35	15	15	35/35	35/35
Compressor Motor	No.	1	1	1	1	1	1	1	1	1	1
	Volts	208/230	208/230	460	460	208/230	208/230	460	460	208/230	208/230
	Phase	3	3	3	3	3	3	3	3	3	3
	RPM	3450	3450	3450	3450	3450	3450	3450	3450	3450	3450
	HP, Compressor 1	2 1/2	2 1/2	2 1/2	2 1/2	3	3	3	3	3 1/2	3 1/2
	Amps (RLA), Comp. 1	10.4/10.4	10.4/10.4	5.8	5.8	13.5/13.5	13.5/13.5	6	6	13.7/13.7	13.7/13.7
	Amps (LRA), Comp. 1	88/88	88/88	38	38	88/88	88/88	44	44	83.1/83.1	83.1/83.1
Condenser Motor	No.	1	1	1	1	1	1	1	1	1	1
	Volts	208/230	208/230	460	460	208/230	208/230	460	460	208/230	208/230
	Phase	1	1	1	1	1	1	1	1	1	1
	HP	1/3	1/3	1/3	1/3	1/3	1/3	1/3	1/3	1/3	1/3
	Amps (FLA, each)	1.5/1.5	1.5/1.5	1	1	1.5/1.5	1.5/1.5	1	1	1.5/1.5	1.5/1.5
	Amps (LRA, each)	3/3	3/3	1.9	1.9	3/3	3/3	1.9	1.9	3/3	3/3
Evaporator Fan	No.	1	1	1	1	1	1	1	1	1	1
	Volts	208/230	208/230	460	460	208/230	208/230	460	460	208/230	208/230
	Phase	3	3	3	3	3	3	3	3	3	3
	HP	1/2	3/4	1/2	3/4	1/2	3/4	1/2	3/4	1/2	3/4
	Amps (FLA, each)	2.2/2.2	3.2/3.2	1.1	1.6	2.2/2.2	3.2/3.2	1.1	1.6	2.2/2.2	3.2/3.2
	Amps (LRA, each)	10.6/10.6	16.8/16.8	5.3	8.4	10.6/10.6	16.8/16.8	5.3	8.4	10.6/10.6	16.8/16.8

1. Horsepower Per Compressor.

2. Amp Draw Per Motor. Multiply Value By Number of Motors to Determine Total Amps.

ELECTRICAL DATA – RJNL-C SERIES

		C048DL	C048DM	C060CL	C060CM	C060DL	C060DM	C072CL	C072CM	C072DL	C072DM
Unit Information	Unit Operating Voltage Range	414-506	414-506	187-253	187-253	414-506	414-506	187-253	187-253	414-506	414-506
	Volts	460	460	208/230	208/230	460	460	208/230	208/230	460	460
	Minimum Circuit Ampacity	11	11	26/26	26/26	13	14	34/34	34/34	17	17
	Minimum Overcurrent Protection Device Size	15	15	30/30	30/30	15	20	40/40	40/40	20	20
	Maximum Overcurrent Protection Device Size	15	15	40/40	40/40	20	20	50/50	50/50	25	25
Compressor Motor	No.	1	1	1	1	1	1	1	1	1	1
	Volts	460	460	208/230	208/230	460	460	200/230	200/230	460	460
	Phase	3	3	3	3	3	3	3	3	3	3
	RPM	3450	3450	3450	3450	3450	3450	3450	3450	3450	3450
	HP, Compressor 1	3 1/2	3 1/2	5	5	5	5	7 1/2	7 1/2	7 1/2	7 1/2
	Amps (RLA), Comp. 1	6.2	6.2	16/16	16/16	7.8	7.8	19/19	19/19	9.7	9.7
	Amps (LRA), Comp. 1	41	41	110/110	110/110	52	52	123/123	123/123	62	62
Condenser Motor	No.	1	1	1	1	1	1	1	1	1	1
	Volts	460	460	208/230	208/230	460	460	208/230	208/230	460	460
	Phase	1	1	1	1	1	1	1	1	1	1
	HP	1/3	1/3	1/3	1/3	1/3	1/3	1/3	1/3	1/3	1/3
	Amps (FLA, each)	1	1	2.2/2.2	2.2/2.2	1	1	1.8/1.8	1.8/1.8	1	1
	Amps (LRA, each)	1.9	1.9	4.7/4.7	4.7/4.7	2.4	2.4	3.3/3.3	3.3/3.3	2.2	2.2
Evaporator Fan	No.	1	1	1	1	1	1	1	1	1	1
	Volts	460	460	208/230	208/230	460	460	208/230	208/230	460	460
	Phase	3	3	3	3	3	3	3	3	3	3
	HP	1/2	3/4	3/4	1	3/4	1	1 1/2	1 1/2	1 1/2	1 1/2
	Amps (FLA, each)	1.1	1.6	3.2/3.2	3.8/3.8	1.6	1.9	5.8/5.8	5.8/5.8	2.8	2.8
	Amps (LRA, each)	5.3	8.4	16.8/16.8	24/24	8.4	12	34/34	34/34	17	17

1. Horsepower Per Compressor.

2. Amp Draw Per Motor. Multiply Value By Number of Motors to Determine Total Amps.

ELECTRICAL DATA – RJPL-C SERIES									
		C036CL	C036CM	C036DL	C036DM	C042CL	C042CM	C042DL	C042DM
Unit Information	Unit Operating Voltage Range	187-253	187-253	414-506	414-506	187-253	187-253	414-506	414-506
	Volts	208/230	208/230	460	460	208/230	208/230	460	460
	Minimum Circuit Ampacity	18/18	18/18	10	10	22/22	22/22	10	11
	Minimum Overcurrent Protection Device Size	20/20	25/25	15	15	25/25	30/30	15	15
	Maximum Overcurrent Protection Device Size	25/25	25/25	15	15	30/30	35/35	15	15
Compressor Motor	No.	1	1	1	1	1	1	1	1
	Volts	208/230	208/230	460	460	208/230	208/230	460	460
	Phase	3	3	3	3	3	3	3	3
	RPM	3450	3450	3450	3450	3450	3450	3450	3450
	HP, Compressor 1	2 1/2	2 1/2	2 1/2	2 1/2	3	3	3	3
	Amps (RLA), Comp. 1	10.4/10.4	10.4/10.4	5.8	5.8	13.5/13.5	13.5/13.5	6	6
	Amps (LRA), Comp. 1	88/88	88/88	38	38	88/88	88/88	44	44
Condenser Motor	No.	1	1	1	1	1	1	1	1
	Volts	208/230	208/230	460	460	208/230	208/230	460	460
	Phase	1	1	1	1	1	1	1	1
	HP	1/3	1/3	1/3	1/3	1/3	1/3	1/3	1/3
	Amps (FLA, each)	1.5/1.5	1.5/1.5	1	1	1.5/1.5	1.5/1.5	1	1
	Amps (LRA, each)	3/3	3/3	1.9	1.9	3/3	3/3	1.9	1.9
Evaporator Fan	No.	1	1	1	1	1	1	1	1
	Volts	208/230	208/230	460	460	208/230	208/230	460	460
	Phase	3	3	3	3	3	3	3	3
	HP	1/2	3/4	1/2	3/4	1/2	3/4	1/2	3/4
	Amps (FLA)	2.8/2.8	3.4/3.4	1.4	1.6	2.8/2.8	3.4/3.4	1.4	1.6
	Amps (LRA)	10.6/10.6	16.8/16.8	5.3	8.4	10.6/10.6	16.8/16.8	5.3	8.4

1. Horsepower Per Compressor.

2. Amp Draw Per Motor. Multiply Value By Number of Motors to Determine Total Amps.

ELECTRICAL DATA – RJPL-C SERIES

		C048CL	C048CM	C048DL	C048DM	C060CL	C060CM	C060DL	C060DM
Unit Information	Unit Operating Voltage Range	187-253	187-253	414-506	414-506	187-253	187-253	414-506	414-506
	Volts	208/230	208/230	460	460	208/230	208/230	460	460
	Minimum Circuit Ampacity	22/22	23/23	11	11	26/26	26/26	13	13
	Minimum Overcurrent Protection Device Size	25/25	30/30	15	15	30/30	30/30	15	15
	Maximum Overcurrent Protection Device Size	35/35	35/35	15	15	40/40	40/40	20	20
Compressor Motor	No.	1	1	1	1	1	1	1	1
	Volts	208/230	208/230	460	460	208/230	208/230	460	460
	Phase	3	3	3	3	3	3	3	3
	RPM	3450	3450	3450	3450	3450	3450	3450	3450
	HP, Compressor 1	3 1/2	3 1/2	3 1/2	3 1/2	5	5	5	5
	Amps (RLA), Comp. 1	13.7/13.7	13.7/13.7	6.2	6.2	16/16	16/16	7.8	7.8
	Amps (LRA), Comp. 1	83.1/83.1	83.1/83.1	41	41	110/110	110/110	52	52
Condenser Motor	No.	1	1	1	1	1	1	1	1
	Volts	208/230	208/230	460	460	208/230	208/230	460	460
	Phase	1	1	1	1	1	1	1	1
	HP	1/3	1/3	1/3	1/3	1/3	1/3	1/3	1/3
	Amps (FLA, each)	1.5/1.5	1.5/1.5	1	1	2.2/2.2	2.2/2.2	1	1
	Amps (LRA, each)	3/3	3/3	1.9	1.9	4.7/4.7	4.7/4.7	2.4	2.4
Evaporator Fan	No.	1	1	1	1	1	1	1	1
	Volts	208/230	208/230	460	460	208/230	208/230	460	460
	Phase	3	3	3	3	3	3	3	3
	HP	1/2	3/4	1/2	3/4	3/4	1	3/4	1
	Amps (FLA)	2.8/2.8	3.4/3.4	1.4	1.6	3.4/3.4	3.8/3.8	1.6	1.9
	Amps (LRA)	10.6/10.6	16.8/16.8	5.3	8.4	16.8/16.8	24/24	8.4	12

1. Horsepower Per Compressor.

2. Amp Draw Per Motor. Multiply Value By Number of Motors to Determine Total Amps.

208/240 VOLT, THREE PHASE, 60 HZ, AUXILIARY ELECTRIC HEATER KITS CHARACTERISTICS AND APPLICATION

Separate Power Supply For Both Unit and Heater Kit											
Unit Model No. RJNL-	Single Power Supply For Both Unit and Heater Kit					Separate Power Supply For Both Unit and Heater Kit					
	Heater Kit			Heat Pump		Heater Kit			Heat Pump		
RXJJ-Heater Kit Nominal kW	No. of Sequence Steps	Rated Heater kW @ 208/240 V	Heater KBTU/Hr @ 208/240 V	Heater Amp. @ 208/240 V	Unit Min. Ckt. Ampacity @ 208/240 V	Over Current Protective Device Size Min./Max. @ 208 V	Over Current Protective Device Size Min./Max. @ 240 V	Min. Ckt. Ampacity 208/240 V	Max. Fuse Size 208/240V	Over Current Protective Device Size Min./Max. @ 208 V	Over Current Protective Device Size Min./Max. @ 240 V
C036CL	No Heat	—	—	—	18/18	20/25	20/25	18/18	—	20/25	20/25
	A06C	4.2/5.6	14.33/19.1	11.7/13.5	33/35	35/35	35/40	—	15/20	—	—
	A10C	7.2/9.6	24.56/32.75	20/23.1	43/47	45/45	50/50	—	25/30	—	—
	A12C	8.4/11.2	28.66/38.21	23.4/27	48/52	50/50	60/60	—	30/35	—	—
	A15C	10.8/14.4	36.84/49.13	30.1/34.7	56/62	60/60	70/70	—	40/45	—	—
A20C	14.4/19.2	49.13/65.5	40/46.3	68/76	80/80	80/80	—	50/60	—	—	
C042CL	No Heat	—	—	—	22/22	25/30	25/30	22/22	—	25/30	25/30
	A06C	4.2/5.6	14.33/19.1	11.7/13.5	37/39	40/45	40/45	—	15/20	—	—
	A10C	7.2/9.6	24.56/32.75	20/23.1	47/51	50/50	60/60	—	25/30	—	—
	A12C	8.4/11.2	28.66/38.21	23.4/27	52/56	60/60	60/60	—	30/35	—	—
	A15C	10.8/14.4	36.84/49.13	30.1/34.7	60/66	60/60	70/70	—	40/45	—	—
A20C	14.4/19.2	49.13/65.5	40/46.3	72/80	80/80	80/80	—	50/60	—	—	
C048CL	No Heat	—	—	—	22/22	25/35	25/35	22/22	—	25/35	25/35
	A06C	4.2/5.6	14.33/19.1	11.7/13.5	37/39	40/45	40/45	—	15/20	—	—
	A10C	7.2/9.6	24.56/32.75	20/23.1	47/51	50/50	60/60	—	25/30	—	—
	A12C	8.4/11.2	28.66/38.21	23.4/27	52/56	60/60	60/60	—	30/35	—	—
	A15C	10.8/14.4	36.84/49.13	30.1/34.7	60/66	60/60	70/70	—	40/45	—	—
A20C	14.4/19.2	49.13/65.5	40/46.3	72/80	80/80	80/80	—	50/60	—	—	
C060CL	No Heat	—	—	—	26/26	30/40	30/40	26/26	—	30/40	30/40
	A06C	4.2/5.6	14.33/19.1	11.7/13.5	41/43	45/50	45/50	—	15/20	—	—
	A10C	7.2/9.6	24.56/32.75	20/23.1	51/55	60/60	60/60	—	25/30	—	—
	A12C	8.4/11.2	28.66/38.21	23.4/27	56/60	60/60	70/70	—	30/35	—	—
	A15C	10.8/14.4	36.84/49.13	30.1/34.7	64/70	80/80	80/80	—	40/45	—	—
A20C	14.4/19.2	49.13/65.5	40/46.3	76/84	90/90	90/90	—	50/60	—	—	
C072CL	No Heat	—	—	—	34/34	40/50	40/50	34/34	—	40/50	40/50
	A15C	10.8/14.4	36.84/49.13	30.1/34.7	72/78	80/80	80/80	—	40/45	—	—
	A20C	14.4/19.2	49.13/65.5	40/46.3	84/92	90/90	100/100	—	50/60	—	—
	A24C	18/24	61.41/81.88	50/57.7	97/107	100/100	110/110	—	70/80	—	—



208/240 VOLT, THREE PHASE, 60 HZ, AUXILIARY ELECTRIC HEATER KITS CHARACTERISTICS AND APPLICATION

Single Power Supply For Both Unit and Heater Kit										Separate Power Supply For Both Unit and Heater Kit										
Unit Model No. RJNL-	RXJJ-Heater Kit Nominal kW	No. of Sequence Steps	Heater Kit				Heat Pump				Heater Kit			Heat Pump						
			Rated Heater kW @ 208/240 V	Heater KBTU/Hr @ 208/240 V	Heater Amp. @ 208/240 V	Unit Min. Ckt. Ampacity @ 208/240 V	Over Current Protective Device Size Min./Max. @ 208 V	Over Current Protective Device Size Min./Max. @ 240 V	Min. Ckt. Ampacity 208/240V	Max. Fuse Size 208/240V	Min. Circuit Ampacity 208/240 V	Over Current Protective Device Size Min./Max. @ 208 V	Over Current Protective Device Size Min./Max. @ 240 V							
C036CM	No Heat	—	—	—	—	19/19	25/25	25/25	—	19/19	—	—	—	—	—	—	—	—	—	—
	A06C	1	4.2/5.6	14.33/19.1	11.7/13.5	34/36	35/35	40/40	15/17	15/20	15/17	15/20	15/17	15/20	15/17	15/20	15/17	15/20	15/17	15/20
	A10C	1	7.2/9.6	24.56/32.75	20/23.1	44/48	45/45	50/50	25/29	25/30	25/29	25/30	25/29	25/30	25/29	25/30	25/29	25/30	25/29	25/30
	A12C	1	8.4/11.2	28.66/38.21	23.4/27	49/53	50/50	60/60	30/34	30/35	30/34	30/35	30/34	30/35	30/34	30/35	30/34	30/35	30/34	30/35
	A15C	1	10.8/14.4	36.84/49.13	30.1/34.7	57/63	60/60	70/70	38/44	40/45	38/44	40/45	38/44	40/45	38/44	40/45	38/44	40/45	38/44	40/45
A20C	1	14.4/19.2	49.13/65.5	40/46.3	69/77	70/70	80/80	50/58	50/60	50/58	50/60	50/58	50/60	50/58	50/60	50/58	50/60	50/58	50/60	
C042CM	No Heat	—	—	—	—	22/22	30/35	30/35	—	—	—	—	—	—	—	—	—	—	—	—
	A06C	1	4.2/5.6	14.33/19.1	11.7/13.5	37/39	40/45	40/45	15/17	15/20	15/17	15/20	15/17	15/20	15/17	15/20	15/17	15/20	15/17	15/20
	A10C	1	7.2/9.6	24.56/32.75	20/23.1	47/51	50/50	60/60	25/29	25/30	25/29	25/30	25/29	25/30	25/29	25/30	25/29	25/30	25/29	25/30
	A12C	1	8.4/11.2	28.66/38.21	23.4/27	52/56	60/60	70/70	30/34	30/35	30/34	30/35	30/34	30/35	30/34	30/35	30/34	30/35	30/34	30/35
	A15C	1	10.8/14.4	36.84/49.13	30.1/34.7	60/66	70/70	80/80	38/44	40/45	38/44	40/45	38/44	40/45	38/44	40/45	38/44	40/45	38/44	40/45
A20C	1	14.4/19.2	49.13/65.5	40/46.3	72/80	80/80	90/90	50/58	50/60	50/58	50/60	50/58	50/60	50/58	50/60	50/58	50/60	50/58	50/60	
C048CM	No Heat	—	—	—	—	23/23	30/35	30/35	—	—	—	—	—	—	—	—	—	—	—	—
	A06C	1	4.2/5.6	14.33/19.1	11.7/13.5	38/40	40/45	40/45	15/17	15/20	15/17	15/20	15/17	15/20	15/17	15/20	15/17	15/20	15/17	15/20
	A10C	1	7.2/9.6	24.56/32.75	20/23.1	48/52	50/50	60/60	25/29	25/30	25/29	25/30	25/29	25/30	25/29	25/30	25/29	25/30	25/29	25/30
	A12C	1	8.4/11.2	28.66/38.21	23.4/27	53/57	60/60	70/70	30/34	30/35	30/34	30/35	30/34	30/35	30/34	30/35	30/34	30/35	30/34	30/35
	A15C	1	10.8/14.4	36.84/49.13	30.1/34.7	61/67	70/70	80/80	38/44	40/45	38/44	40/45	38/44	40/45	38/44	40/45	38/44	40/45	38/44	40/45
A20C	1	14.4/19.2	49.13/65.5	40/46.3	73/81	80/80	90/90	50/58	50/60	50/58	50/60	50/58	50/60	50/58	50/60	50/58	50/60	50/58	50/60	
C060CM	No Heat	—	—	—	—	26/26	30/40	30/40	—	—	—	—	—	—	—	—	—	—	—	—
	A06C	1	4.2/5.6	14.33/19.1	11.7/13.5	41/43	45/50	45/50	15/17	15/20	15/17	15/20	15/17	15/20	15/17	15/20	15/17	15/20	15/17	15/20
	A10C	1	7.2/9.6	24.56/32.75	20/23.1	51/55	60/60	60/60	25/29	25/30	25/29	25/30	25/29	25/30	25/29	25/30	25/29	25/30	25/29	25/30
	A12C	1	8.4/11.2	28.66/38.21	23.4/27	56/60	60/60	70/70	30/34	30/35	30/34	30/35	30/34	30/35	30/34	30/35	30/34	30/35	30/34	30/35
	A15C	1	10.8/14.4	36.84/49.13	30.1/34.7	64/70	70/70	80/80	38/44	40/45	38/44	40/45	38/44	40/45	38/44	40/45	38/44	40/45	38/44	40/45
A20C	1	14.4/19.2	49.13/65.5	40/46.3	76/84	80/80	90/90	50/58	50/60	50/58	50/60	50/58	50/60	50/58	50/60	50/58	50/60	50/58	50/60	
C072CM	No Heat	—	—	—	—	34/34	40/50	40/50	—	—	—	—	—	—	—	—	—	—	—	—
	A15C	1	10.8/14.4	36.84/49.13	30.1/34.7	72/78	80/80	80/80	38/44	40/45	38/44	40/45	38/44	40/45	38/44	40/45	38/44	40/45	38/44	40/45
	A20C	1	14.4/19.2	49.13/65.5	40/46.3	84/92	90/90	100/100	50/58	50/60	50/58	50/60	50/58	50/60	50/58	50/60	50/58	50/60	50/58	50/60
	A24C	1	18/24	61.41/81.88	50/57.7	97/107	100/100	110/110	63/73	70/80	63/73	70/80	63/73	70/80	63/73	70/80	63/73	70/80	63/73	70/80

480 VOLT, THREE PHASE, 60 HZ, AUXILIARY ELECTRIC HEATER KITS CHARACTERISTICS AND APPLICATION

Separate Power Supply For Both Unit and Heater Kit											
Unit Model No. RJNL-	Heater Kit					Heat Pump					
	RXJ- Heater Kit Nominal kW	No. of Sequence Steps	Rated Heater kW @ 480 V	Heater KBTU/Hr @ 480 V	Heater Amp. @ 480 V	Unit Min. Ckt. Ampacity @ 480 V	Over Current Protective Device Size @ 480 V		Min. Ckt. Ampacity 480 V	Over Current Protective Device Size @ 480 V	
C036DL	No Heat	—	—	—	—	10	15/15	—	10	15/15	—
	A06D	1	5.6	19.1	6.8	19	20/20	—	9	—	—
	A10D	1	9.6	32.75	11.6	25	25/25	—	15	—	—
	A12D	1	11.2	38.21	13.5	27	30/30	—	17	—	—
	A15D	1	14.4	49.13	17.4	32	35/35	—	22	—	—
	A20D	1	19.2	65.5	23.3	40	40/40	—	30	—	—
C042DL	No Heat	—	—	—	—	10	15/15	—	10	15/15	—
	A06D	1	5.6	19.1	6.8	19	20/20	—	9	—	—
	A10D	1	9.6	32.75	11.6	25	25/25	—	15	—	—
	A12D	1	11.2	38.21	13.5	27	30/30	—	17	—	—
	A15D	1	14.4	49.13	17.4	32	35/35	—	22	—	—
	A20D	1	19.2	65.5	23.3	40	40/40	—	30	—	—
C048DL	No Heat	—	—	—	—	11	15/15	—	11	15/15	—
	A06D	1	5.6	19.1	6.8	20	20/20	—	9	—	—
	A10D	1	9.6	32.75	11.6	26	25/25	—	15	—	—
	A12D	1	11.2	38.21	13.5	28	30/30	—	17	—	—
	A15D	1	14.4	49.13	17.4	33	35/35	—	22	—	—
	A20D	1	19.2	65.5	23.3	41	40/40	—	30	—	—
C060DL	No Heat	—	—	—	—	13	15/20	—	13	15/20	—
	A06D	1	5.6	19.1	6.8	22	25/25	—	9	—	—
	A10D	1	9.6	32.75	11.6	28	30/30	—	15	—	—
	A12D	1	11.2	38.21	13.5	30	30/30	—	17	—	—
	A15D	1	14.4	49.13	17.4	35	35/35	—	22	—	—
	A20D	1	19.2	65.5	23.3	43	45/45	—	30	—	—
C072DL	No Heat	—	—	—	—	17	20/25	—	17	20/25	—
	A15D	1	14.4	49.13	17.4	39	40/40	—	22	—	—
	A20D	1	19.2	65.5	23.3	47	50/50	—	30	—	—
	A24D	1	24	81.88	28.9	54	60/60	—	37	—	—



Air

Electric Heater Kits

RJNL-C Series

480 VOLT, THREE PHASE, 60 HZ, AUXILIARY ELECTRIC HEATER KITS CHARACTERISTICS AND APPLICATION

Single Power Supply For Both Unit and Heater Kit										Separate Power Supply For Both Unit and Heater Kit					
Unit Model No. RJNL-	Heater Kit					Heat Pump					Heater Kit			Heat Pump	
	RXJJ- Heater Kit Nominal kW	No. of Sequence Steps	Rated Heater kW @ 480 V	Heater KBTU/Hr @ 480 V	Heater Amp. @ 480 V	Unit Min. Ckt. Ampacity @ 480 V	Over Current Protective Device Size @ 480 V		Over Current Protective Device Size @ 480 V		Min. Ckt. Ampacity 480 V	Max. Fuse Size 480 V	Min. /Max. @ 480 V	Over Current Protective Device Size @ 480 V	
C036DM	No Heat	—	—	—	—	10	15/15	—	—	—	10	—	15/15	—	
	A06D	1	5.6	19.1	6.8	19	20/20	—	—	—	9	15	—	—	
	A10D	1	9.6	32.75	11.6	25	25/25	—	—	—	15	15	—	—	
	A12D	1	11.2	38.21	13.5	27	30/30	—	—	—	17	20	—	—	
	A15D	1	14.4	49.13	17.4	32	35/35	—	—	—	22	25	—	—	
C042DM	A20D	1	19.2	65.5	23.3	40	40/40	—	—	—	30	30	—	—	
	No Heat	—	—	—	—	11	15/15	—	—	—	11	—	15/15	—	
	A06D	1	5.6	19.1	6.8	20	20/20	—	—	—	9	15	—	—	
	A10D	1	9.6	32.75	11.6	26	30/30	—	—	—	15	15	—	—	
	A12D	1	11.2	38.21	13.5	28	30/30	—	—	—	17	20	—	—	
C048DM	A15D	1	14.4	49.13	17.4	33	35/35	—	—	—	22	25	—	—	
	A20D	1	19.2	65.5	23.3	41	40/40	—	—	—	30	30	—	—	
	No Heat	—	—	—	—	11	15/15	—	—	—	11	—	15/15	—	
	A06D	1	5.6	19.1	6.8	20	20/20	—	—	—	9	15	—	—	
	A10D	1	9.6	32.75	11.6	26	30/30	—	—	—	15	15	—	—	
C060DM	A12D	1	11.2	38.21	13.5	28	30/30	—	—	—	17	20	—	—	
	A15D	1	14.4	49.13	17.4	33	35/35	—	—	—	22	25	—	—	
	A20D	1	19.2	65.5	23.3	41	45/45	—	—	—	30	30	—	—	
	No Heat	—	—	—	—	14	20/20	—	—	—	14	—	20/20	—	
	A06D	1	5.6	19.1	6.8	23	25/25	—	—	—	9	15	—	—	
C072DM	A10D	1	9.6	32.75	11.6	29	30/30	—	—	—	15	15	—	—	
	A12D	1	11.2	38.21	13.5	31	35/35	—	—	—	17	20	—	—	
	A15D	1	14.4	49.13	17.4	36	40/40	—	—	—	22	25	—	—	
	A20D	1	19.2	65.5	23.3	44	45/45	—	—	—	30	30	—	—	
	No Heat	—	—	—	—	17	20/25	—	—	—	17	—	20/25	—	
C072DM	A15D	1	14.4	49.13	17.4	39	40/40	—	—	—	22	25	—	—	
	A20D	1	19.2	65.5	23.3	47	50/50	—	—	—	30	30	—	—	
	A24D	1	24	81.88	28.9	54	60/60	—	—	—	37	40	—	—	



208/240 VOLT, THREE PHASE, 60 HZ, AUXILIARY ELECTRIC HEATER KITS CHARACTERISTICS AND APPLICATION															
Separate Power Supply For Both Unit and Heater Kit															
Unit Model No. RJPL-	Heater Kit					Heat Pump					Heater Kit			Heat Pump	
	RXJJ-Heater Kit Nominal kW	No. of Sequence Steps	Rated Heater kW @ 208/240 V	Heater KBTU/Hr @ 208/240 V	Heater Amp. @ 208/240 V	Unit Min. Ckt. Ampacity @ 208/240 V	Over Current Protective Device Size Min./Max. @ 208 V	Over Current Protective Device Size Min./Max. @ 240 V	Min. Ckt. Ampacity 208/240 V	Max. Fuse Size 208/240V	Min. Circuit Ampacity 208/240 V	Over Current Protective Device Size Min./Max. @ 208 V	Over Current Protective Device Size Min./Max. @ 240 V		
C036CL	No Heat	—	—	—	—	18/18	20/25	20/25	—	18/18	20/25	20/25	—		
	A06C	1	4.2/5.6	14.33/19.1	11.7/13.5	33/35	35/35	40/40	15/20	—	—	—	—		
	A10C	1	7.2/9.6	24.56/32.75	20/23.1	43/47	45/45	50/50	25/30	—	—	—	—		
	A12C	1	8.4/11.2	28.66/38.21	23.4/27	48/52	60/60	60/60	30/35	—	—	—	—		
	A15C	1	10.8/14.4	36.84/49.13	30.1/34.7	56/62	60/60	70/70	40/45	—	—	—	—		
	A20C	1	14.4/19.2	49.13/65.5	40/46.3	68/76	70/70	80/80	50/60	—	—	—	—		
C042CL	No Heat	—	—	—	—	22/22	25/30	25/30	—	22/22	25/30	25/30	—		
	A06C	1	4.2/5.6	14.33/19.1	11.7/13.5	37/39	40/45	40/45	15/20	—	—	—	—		
	A10C	1	7.2/9.6	24.56/32.75	20/23.1	47/51	50/50	60/60	25/30	—	—	—	—		
	A12C	1	8.4/11.2	28.66/38.21	23.4/27	52/56	60/60	60/60	30/35	—	—	—	—		
	A15C	1	10.8/14.4	36.84/49.13	30.1/34.7	60/66	60/60	70/70	40/45	—	—	—	—		
	A20C	1	14.4/19.2	49.13/65.5	40/46.3	72/80	80/80	90/90	50/60	—	—	—	—		
C048CL	No Heat	—	—	—	—	22/22	25/35	25/35	—	22/22	25/35	25/35	—		
	A06C	1	4.2/5.6	14.33/19.1	11.7/13.5	37/39	40/45	40/45	15/20	—	—	—	—		
	A10C	1	7.2/9.6	24.56/32.75	20/23.1	47/51	50/50	60/60	25/30	—	—	—	—		
	A12C	1	8.4/11.2	28.66/38.21	23.4/27	52/56	60/60	60/60	30/35	—	—	—	—		
	A15C	1	10.8/14.4	36.84/49.13	30.1/34.7	60/66	70/70	70/70	40/45	—	—	—	—		
	A20C	1	14.4/19.2	49.13/65.5	40/46.3	72/80	80/80	90/90	50/60	—	—	—	—		
C060CL	No Heat	—	—	—	—	26/26	30/40	30/40	—	26/26	30/40	30/40	—		
	A06C	1	4.2/5.6	14.33/19.1	11.7/13.5	41/43	45/50	45/50	15/20	—	—	—	—		
	A10C	1	7.2/9.6	24.56/32.75	20/23.1	51/55	60/60	60/60	25/30	—	—	—	—		
	A12C	1	8.4/11.2	28.66/38.21	23.4/27	56/60	60/60	70/70	30/35	—	—	—	—		
	A15C	1	10.8/14.4	36.84/49.13	30.1/34.7	64/70	70/70	80/80	40/45	—	—	—	—		
	A20C	1	14.4/19.2	49.13/65.5	40/46.3	76/84	80/80	90/90	50/60	—	—	—	—		



208/240 VOLT, THREE PHASE, 60 HZ, AUXILIARY ELECTRIC HEATER KITS CHARACTERISTICS AND APPLICATION

Single Power Supply For Both Unit and Heater Kit

Separate Power Supply For Both Unit and Heater Kit

Unit Model No. RJPL-	Single Power Supply For Both Unit and Heater Kit										Separate Power Supply For Both Unit and Heater Kit									
	Heater Kit					Heat Pump					Heater Kit					Heat Pump				
	RXJJ-Heater Kit Nominal kW	No. of Sequence Steps	Rated Heater kW @ 208/240 V	Heater KBTU/Hr @ 208/240 V	Heater Amp. @ 208/240 V	Unit Min. Ckt. Ampacity @ 208/240 V	Over Current Protective Device Size Min./Max. @ 208 V	Over Current Protective Device Size Min./Max. @ 240 V	Min. Ckt. Ampacity 208/240 V	Max. Fuse Size 208/240V	Min. Circuit Ampacity 208/240 V	Over Current Protective Device Size Min./Max. @ 208 V	Over Current Protective Device Size Min./Max. @ 240 V							
C036CM	No Heat	—	—	—	—	18/18	25/25	25/25	—	18/18	25/25	25/25								
	A06C	1	4.2/5.6	14.33/19.1	11.7/13.5	33/35	35/35	40/40	15/20	—	—	—								
	A10C	1	7.2/9.6	24.56/32.75	20/23.1	43/47	45/45	50/50	25/30	—	—	—								
	A12C	1	8.4/11.2	28.66/38.21	23.4/27	48/52	50/50	60/60	30/34	—	—	—								
	A15C	1	10.8/14.4	36.84/49.13	30.1/34.7	56/62	60/60	70/70	38/44	—	—	—								
C042CM	No Heat	—	—	—	—	22/22	30/35	30/35	—	22/22	30/35	30/35								
	A06C	1	4.2/5.6	14.33/19.1	11.7/13.5	37/39	40/45	40/45	15/20	—	—	—								
	A10C	1	7.2/9.6	24.56/32.75	20/23.1	47/51	50/50	60/60	25/29	—	—	—								
	A12C	1	8.4/11.2	28.66/38.21	23.4/27	52/56	60/60	60/60	30/34	—	—	—								
	A15C	1	10.8/14.4	36.84/49.13	30.1/34.7	60/66	70/70	70/70	38/44	—	—	—								
C048CM	No Heat	—	—	—	—	23/23	30/35	30/35	—	23/23	30/35	30/35								
	A06C	1	4.2/5.6	14.33/19.1	11.7/13.5	38/40	40/45	45/45	15/20	—	—	—								
	A10C	1	7.2/9.6	24.56/32.75	20/23.1	48/52	50/50	60/60	25/30	—	—	—								
	A12C	1	8.4/11.2	28.66/38.21	23.4/27	53/57	60/60	60/60	30/34	—	—	—								
	A15C	1	10.8/14.4	36.84/49.13	30.1/34.7	61/67	70/70	70/70	38/44	—	—	—								
C060CM	No Heat	—	—	—	—	26/26	30/40	30/40	—	26/26	30/40	30/40								
	A06C	1	4.2/5.6	14.33/19.1	11.7/13.5	41/43	45/50	45/50	15/20	—	—	—								
	A10C	1	7.2/9.6	24.56/32.75	20/23.1	51/55	60/60	60/60	25/30	—	—	—								
	A12C	1	8.4/11.2	28.66/38.21	23.4/27	56/60	60/60	70/70	30/35	—	—	—								
	A15C	1	10.8/14.4	36.84/49.13	30.1/34.7	64/70	70/70	80/80	40/45	—	—	—								
C066CM	No Heat	—	—	—	—	26/26	30/40	30/40	—	26/26	30/40	30/40								
	A06C	1	4.2/5.6	14.33/19.1	11.7/13.5	41/43	45/50	45/50	15/20	—	—	—								
	A10C	1	7.2/9.6	24.56/32.75	20/23.1	51/55	60/60	60/60	25/30	—	—	—								
	A12C	1	8.4/11.2	28.66/38.21	23.4/27	56/60	60/60	70/70	30/35	—	—	—								
	A15C	1	10.8/14.4	36.84/49.13	30.1/34.7	64/70	70/70	80/80	40/45	—	—	—								
C072CM	No Heat	—	—	—	—	26/26	30/40	30/40	—	26/26	30/40	30/40								
	A06C	1	4.2/5.6	14.33/19.1	11.7/13.5	41/43	45/50	45/50	15/20	—	—	—								
	A10C	1	7.2/9.6	24.56/32.75	20/23.1	51/55	60/60	60/60	25/30	—	—	—								
	A12C	1	8.4/11.2	28.66/38.21	23.4/27	56/60	60/60	70/70	30/35	—	—	—								
	A15C	1	10.8/14.4	36.84/49.13	30.1/34.7	64/70	70/70	80/80	40/45	—	—	—								



480 VOLT, THREE PHASE, 60 HZ, AUXILIARY ELECTRIC HEATER KITS CHARACTERISTICS AND APPLICATION

Separate Power Supply For Both Unit and Heater Kit										
Unit Model No. RJPL-	Heater Kit					Heat Pump				
	RXJJ-Heater Kit Nominal kW	No. of Sequence Steps	Rated Heater kW @ 480 V	Heater KBTU/Hr @ 480 V	Heater Amp. @ 480 V	Unit Min. Ckt. Ampacity @ 480 V	Over Current Protective Device Size Min./Max. @ 480 V	Min. Circuit Ampacity 480 V	Max. Fuse Size 480 V	Over Current Protective Device Size Min./Max. @ 480 V
C036DL	No Heat	—	—	—	—	10	15/15	—	—	15/15
	A06D	1	5.6	19.1	6.8	19	20/20	9	15	—
	A10D	1	9.6	32.75	11.6	25	25/25	15	15	—
	A12D	1	11.2	38.21	13.5	27	30/30	17	20	—
	A15D	1	14.4	49.13	17.4	32	35/35	22	25	—
	A20D	1	19.2	65.5	23.3	40	40/40	30	30	—
C042DL	No Heat	—	—	—	—	10	15/15	—	—	15/15
	A06D	1	5.6	19.1	6.8	19	20/20	9	15	—
	A10D	1	9.6	32.75	11.6	25	25/25	15	15	—
	A12D	1	11.2	38.21	13.5	27	30/30	17	20	—
	A15D	1	14.4	49.13	17.4	32	35/35	22	25	—
	A20D	1	19.2	65.5	23.3	40	40/40	30	30	—
C048DL	No Heat	—	—	—	—	11	15/15	—	—	15/15
	A06D	1	5.6	19.1	6.8	20	20/20	9	15	—
	A10D	1	9.6	32.75	11.6	26	30/30	15	15	—
	A12D	1	11.2	38.21	13.5	28	30/30	17	20	—
	A15D	1	14.4	49.13	17.4	33	35/35	22	25	—
	A20D	1	19.2	65.5	23.3	41	40/40	30	30	—
C060DL	No Heat	—	—	—	—	13	15/20	—	—	15/20
	A06D	1	5.6	19.1	6.8	22	25/25	9	15	—
	A10D	1	9.6	32.75	11.6	28	30/30	15	15	—
	A12D	1	11.2	38.21	13.5	30	30/30	17	20	—
	A15D	1	14.4	49.13	17.4	35	35/35	22	25	—
	A20D	1	19.2	65.5	23.3	43	45/45	30	30	—

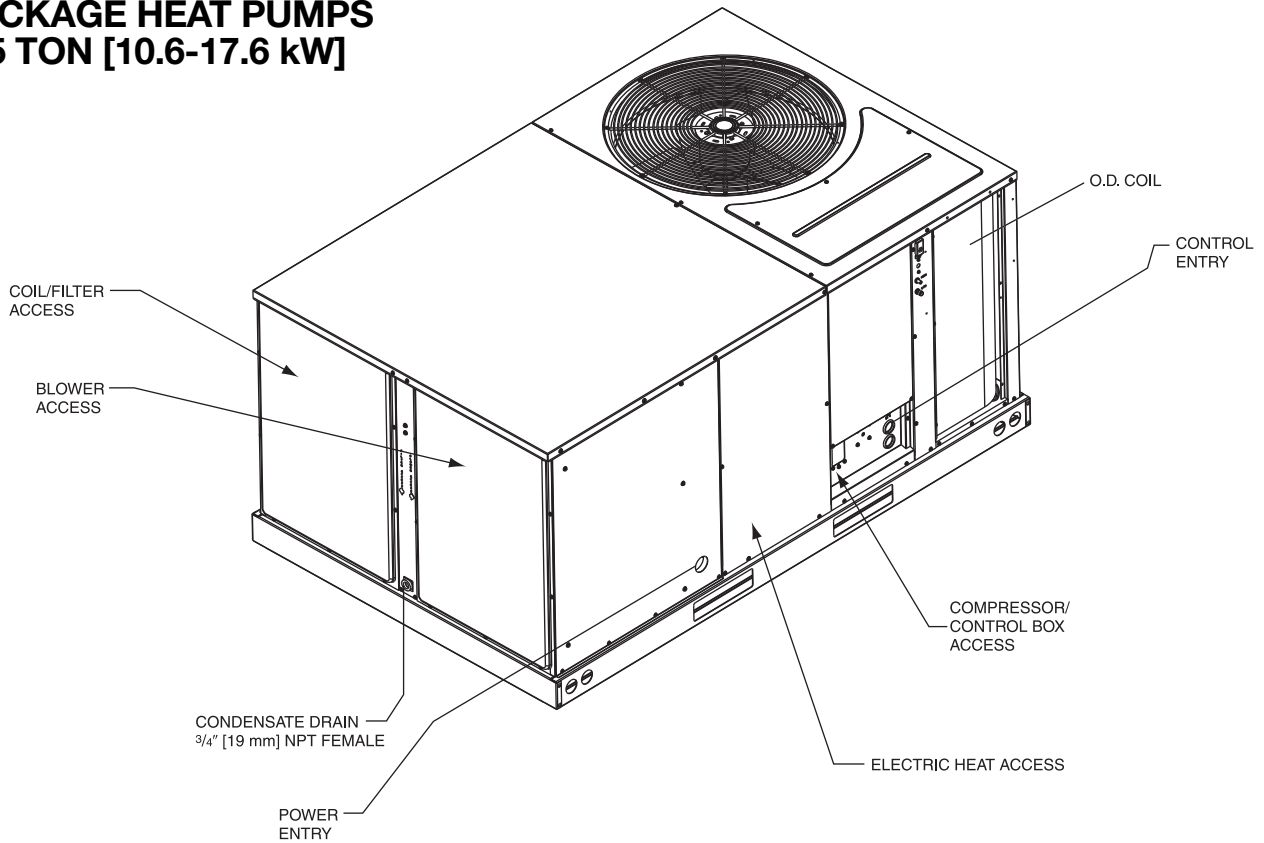


480 VOLT, THREE PHASE, 60 HZ, AUXILIARY ELECTRIC HEATER KITS CHARACTERISTICS AND APPLICATION

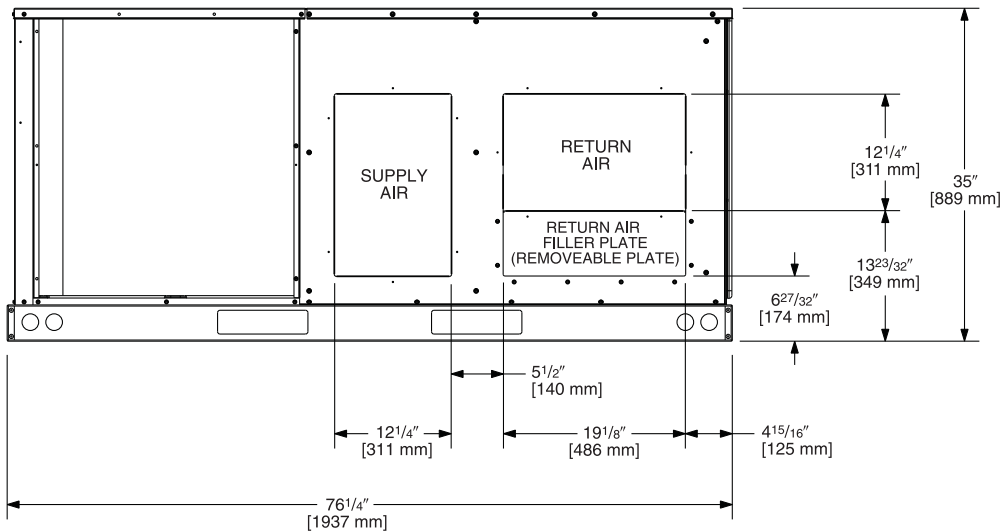
		Single Power Supply For Both Unit and Heater Kit						Separate Power Supply For Both Unit and Heater Kit					
Unit Model No. RJPL-	RXJJ-Heater Kit Nominal kW	Heater Kit			Heat Pump			Heater Kit			Heat Pump		
		No. of Sequence Steps	Rated Heater kW @ 480 V	Heater KBTU/Hr @ 480 V	Heater Amp. @ 480 V	Unit Min. Ckt. Ampacity @ 480 V	Over Current Protective Device Size Min./Max. @ 480 V	Min. Ckt. Ampacity 480 V	Max. Fuse Size 480 V	Min. Circuit Ampacity 480 V	Over Current Protective Device Size Min./Max. @ 480 V		
C036DM	No Heat	—	—	—	—	10	15/15	—	—	10	15/15	—	—
	A06D	1	5.6	19.1	6.8	19	20/20	9	15	—	—	—	—
	A10D	1	9.6	32.75	11.6	25	25/25	15	15	—	—	—	—
	A12D	1	11.2	38.21	13.5	27	30/30	17	20	—	—	—	—
	A15D	1	14.4	49.13	17.4	32	35/35	22	25	—	—	—	—
	A20D	1	19.2	65.5	23.3	40	40/40	30	30	—	—	—	—
C042DM	No Heat	—	—	—	—	11	15/15	—	—	11	15/15	—	—
	A06D	1	5.6	19.1	6.8	20	20/20	9	15	—	—	—	—
	A10D	1	9.6	32.75	11.6	26	30/30	15	15	—	—	—	—
	A12D	1	11.2	38.21	13.5	28	30/30	17	20	—	—	—	—
	A15D	1	14.4	49.13	17.4	33	35/35	22	25	—	—	—	—
	A20D	1	19.2	65.5	23.3	41	40/40	30	30	—	—	—	—
C048DM	No Heat	—	—	—	—	11	15/15	—	—	11	15/15	—	—
	A06D	1	5.6	19.1	6.8	20	20/20	9	15	—	—	—	—
	A10D	1	9.6	32.75	11.6	26	30/30	15	15	—	—	—	—
	A12D	1	11.2	38.21	13.5	28	30/30	17	20	—	—	—	—
	A15D	1	14.4	49.13	17.4	33	35/35	22	25	—	—	—	—
	A20D	1	19.2	65.5	23.3	41	45/45	30	30	—	—	—	—
C060DM	No Heat	—	—	—	—	13	15/20	—	—	13	15/20	—	—
	A06D	1	5.6	19.1	6.8	22	25/25	9	15	—	—	—	—
	A10D	1	9.6	32.75	11.6	28	30/30	15	15	—	—	—	—
	A12D	1	11.2	38.21	13.5	30	35/35	17	20	—	—	—	—
	A15D	1	14.4	49.13	17.4	35	40/40	22	25	—	—	—	—
	A20D	1	19.2	65.5	23.3	43	45/45	30	30	—	—	—	—



UNIT DIMENSIONS PACKAGE HEAT PUMPS 3-5 TON [10.6-17.6 kW]



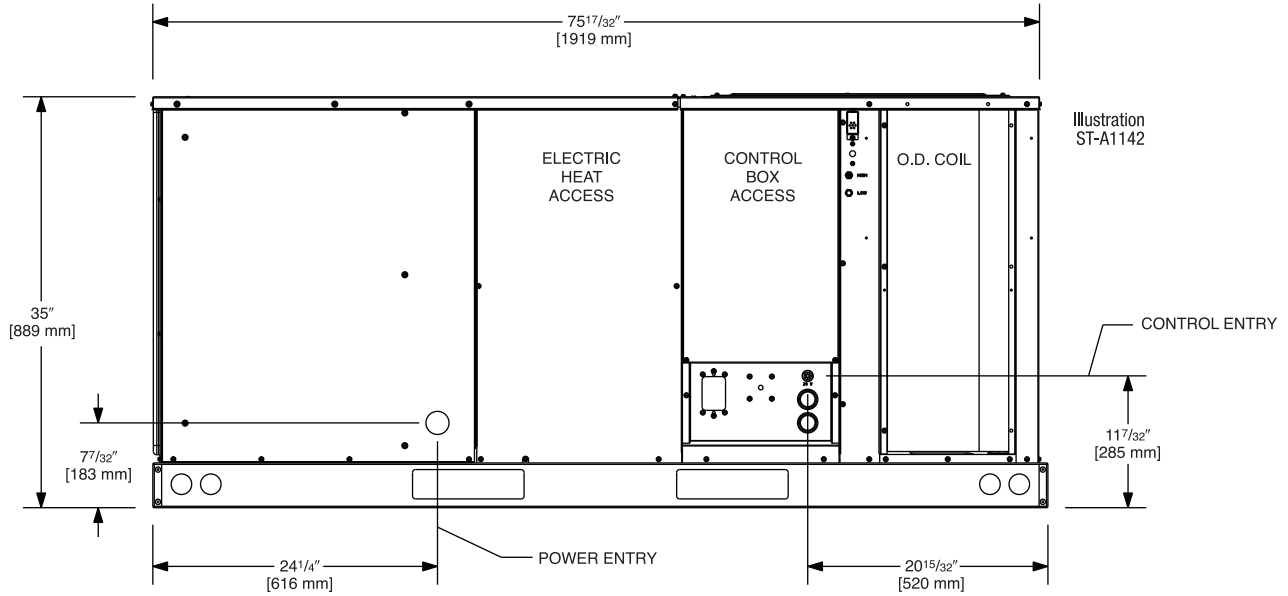
BACK VIEW



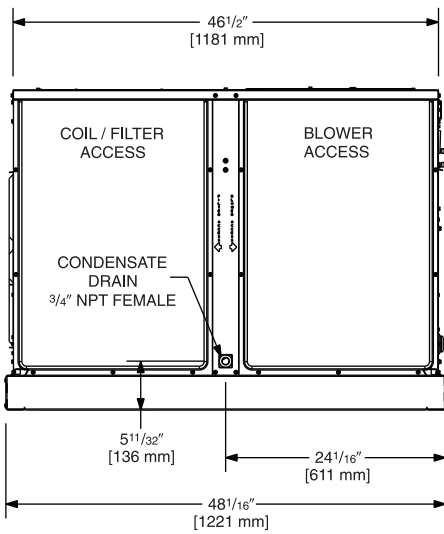
[] Designates Metric Conversions

UNIT DIMENSIONS PACKAGE HEAT PUMPS 3-5 TON [10.6-17.6 kW]

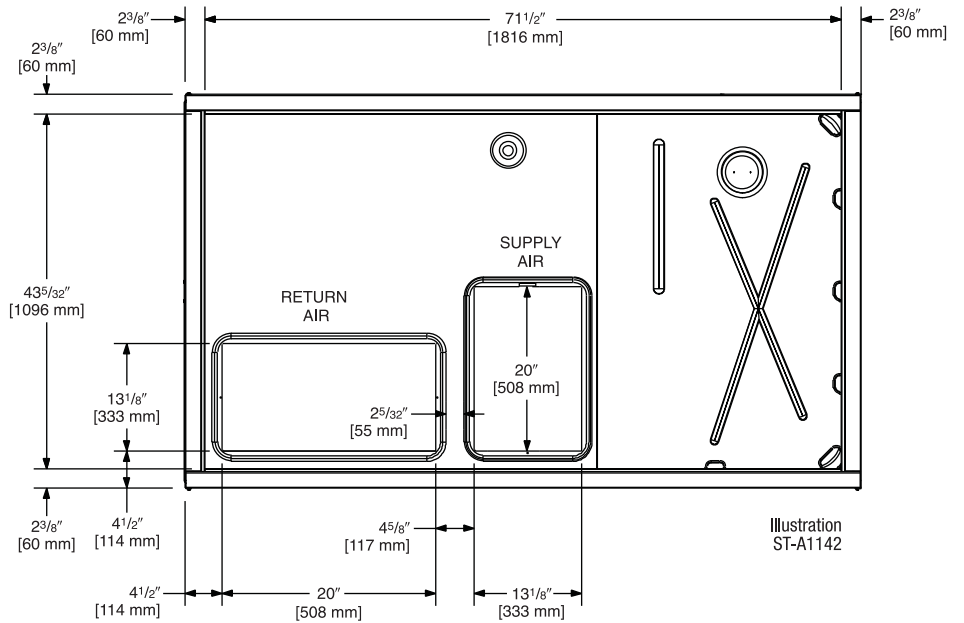
FRONT VIEW



SIDE VIEW



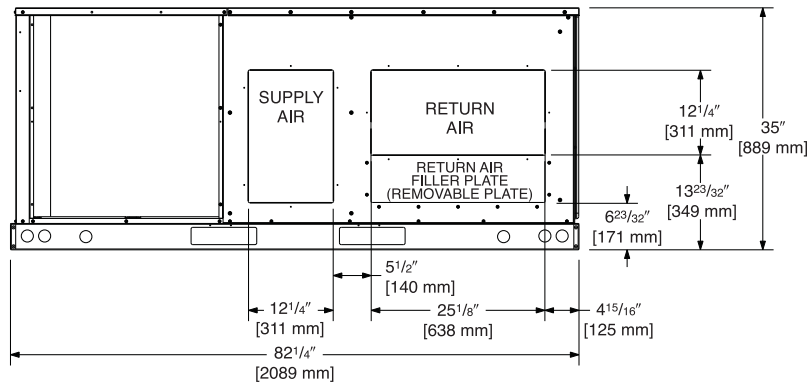
BOTTOM VIEW



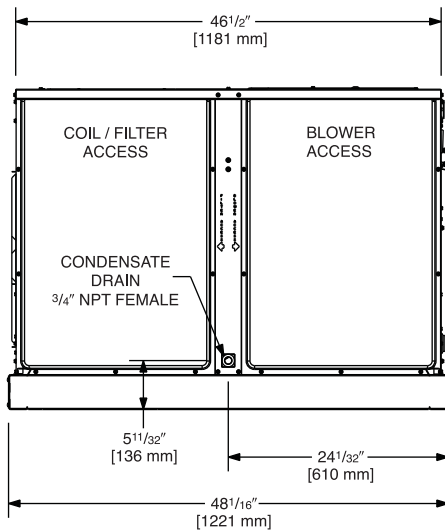
[] Designates Metric Conversions

UNIT DIMENSIONS PACKAGE HEAT PUMPS 6 TON [21.1 kW]

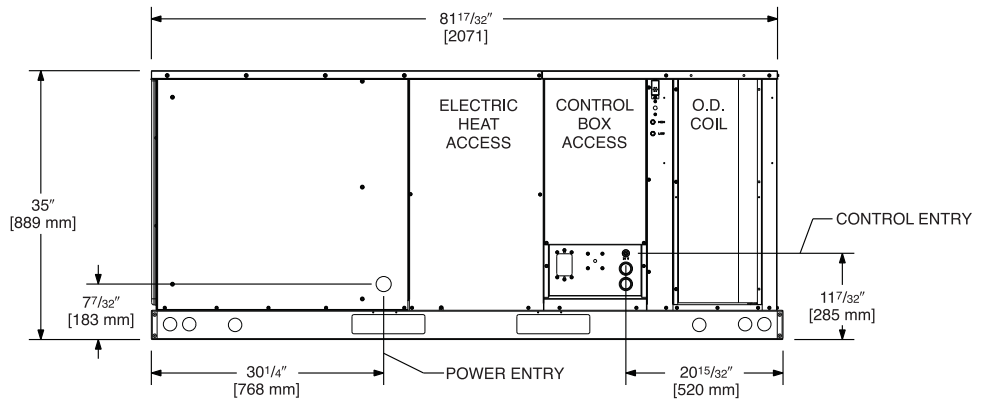
BACK VIEW



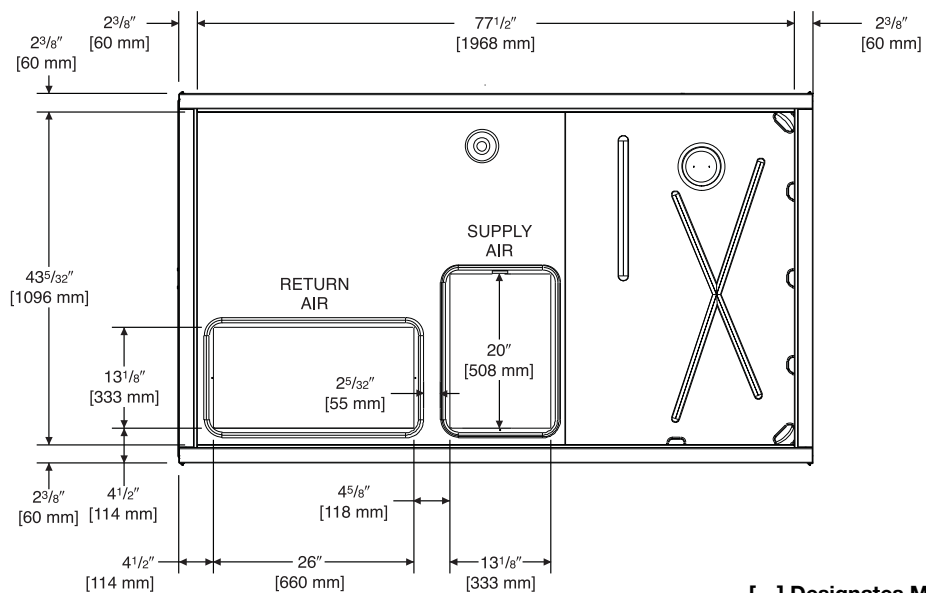
SIDE VIEW



FRONT VIEW



BOTTOM VIEW



[] Designates Metric Conversions

WEIGHTS

Accessory	3-5 Ton [10.6-17.6 kW]		6 Ton [21.1 kW]	
	Shipping	Operating	Shipping	Operating
	lbs [kg]	lbs [kg]	lbs [kg]	lbs [kg]
Economizer with Single Enthalpy	71 [32]	70 [32]	73 [34]	72 [33]
Economizer with Single Enthalpy and Smoke Detector	74 [34]	73 [33]	76 [34]	75 [34]
Power Exhaust	19 [9]	16 [7]	21 [10]	17 [8]
Fresh Air Damper (Manual)	11 [5]	9 [4]	14 [6]	12 [5]
Fresh Air Damper (Motorized)	13 [6]	11 [5]	16 [7]	14 [6]
Roof Curb 14"	92 [42]	88 [40]	92 [42]	88 [40]
Roof Curb 24"	108 [49]	104 [47]	108 [49]	104 [47]
Concentric Diffuser 18" Flush	37 [17]	26 [12]	37 [17]	26 [12]
Concentric Diffuser 20" Flush	54 [24]	42 [19]	54 [24]	42 [19]
Side Discharge Concentric Diffuser RXRN-FA60	35 [16]	20 [9]	—	—
Side Discharge Concentric Diffuser RXRN-FA65	55 [25]	40 [18]	55 [25]	40 [18]

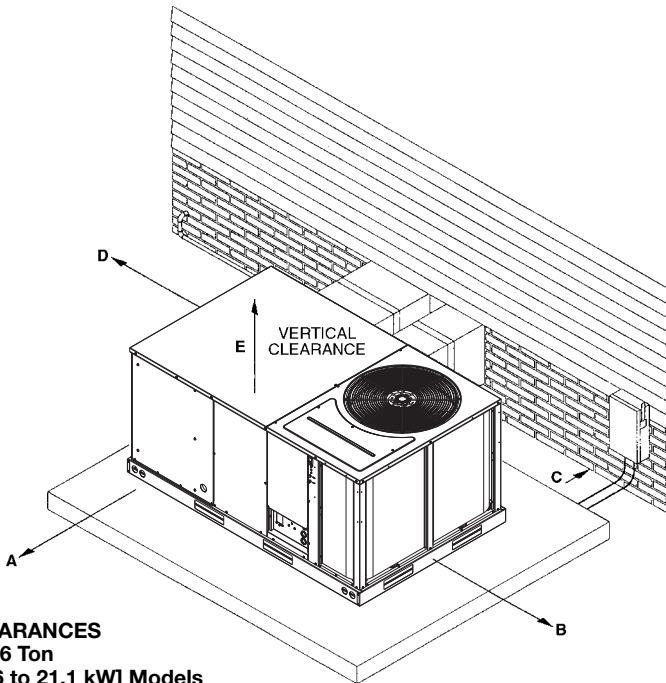
CLEARANCES

(3 to 6 Ton [10.6 to 21.1 kW] Models)

The following minimum clearances are recommended for proper unit performance and serviceability.

Recommended Clearance in. [mm]	Location
48 [1219]	A - Front
18 [457]	B - Condenser Coil
*12 [305]	C - Duct Side
36 [914]	D - Evaporator End
60 [1524]	E - Above
*57" [1448 mm] With Economizer	

NOTE: Supply duct may be installed with "0" inch clearance to combustible materials, provided 1" [25.4 mm] minimum. Fiberglass insulation is applied either inside or on the outside of the duct.

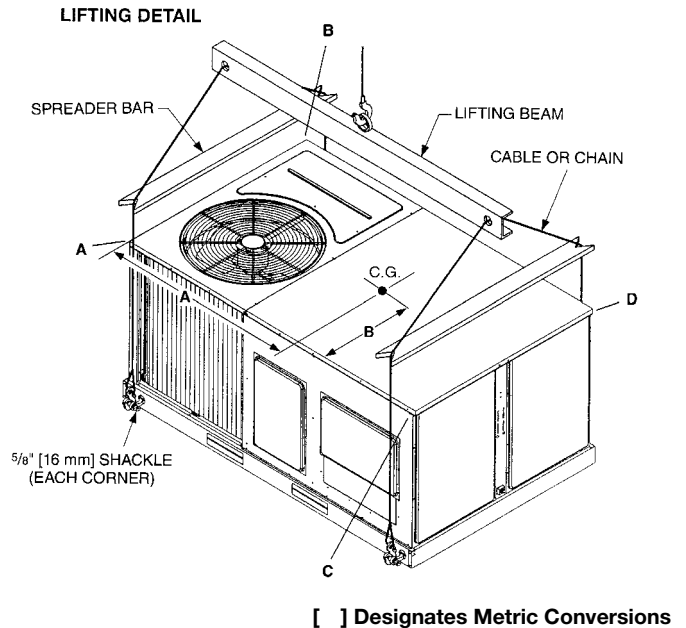


CLEARANCES
3 to 6 Ton
[10.6 to 21.1 kW] Models

CENTER OF GRAVITY (C.G.)

Capacity Tons [kW]	A in. [mm]	B in. [mm]
3-5 [10.6-17.6]	38 ¹ / ₄ [972]	25 ³ / ₄ [654]
6 [21.1]	39 [991]	26 ¹ / ₈ [664]

Capacity Tons [kW]	Corner Weights by Percentage			
	A	B	C	D
3-5 [10.6-17.6]	22%	27%	23%	28%
6 [21.1]	23%	29%	21%	27%



[] Designates Metric Conversions



Air

Accessories
RJNL-C/RJPL-C Series

ACCESSORY EQUIPMENT

Description	Model Number		Factory Installed
	3-5 Ton [10.6-17.6 kW] (RJNL/RJPL)	6 Ton [21.1 kW] (RJNL)	
Electric Heater Kits	RXJJ-A06* (C,D)	RXJJ-A15* (C,D) RXJJ-A20* (C,D) RXJJ-A24* (C,D)	Yes
	RXJJ-A10* (C,D)		
	RXJJ-A12* (C,D)		
	RXJJ-A15* (C,D)		
	RXJJ-A20* (C,D)		
	RXJJ-A24* (C,D)		
Roofcurb 14"	RXKG-CAD14	RXKG-CAD14	No
Roofcurb 24"	RXKG-CAD24	RXKG-CAD24	No
Roofcurb Adapters	RXRX-BBCDB21	N/A	No
	RXRX-BBCDB22		
	RXRX-BBCDB23		
Economizer with Single Enthalpy	AXRD-01RKCCM3	AXRD-01RHCCM3	Yes
Economizer with Single Enthalpy and Smoke Detector	AXRD-01RKCDM3	AXRD-01RHCDM3	Yes
Dual Enthalpy Kit	RXR-AR02	RXR-AR02	No
CO ₂ Sensor	RXR-AR02	RXR-AR02	No
Power Exhaust	AXRX-BGF04* (C or D)	AXRX-BGF03* (C or D)	No
Fresh Air Damper Manual	AXRF-FBA1	AXRF-FCA1	No
Fresh Air Damper Motorized	AXRF-FBB1	AXRF-FCB1	No
Rectangular to Round 18" Duct Adaptors for Concentric Diffuser	RXMC-CB03	N/A	No
Rectangular to Round 20" Duct Adaptors for Concentric Diffuser	RXMC-CB04	RXMC-CC04	No
Concentric Diffuser 18" Step (Side discharge)	RXRN-FA60	N/A	No
Concentric Diffuser 20" Step (Side discharge)	RXRN-FA65	RXRN-FA65	No
Concentric Diffuser 18" Flush	Flush RXRN-FA70	N/A	No
Concentric Diffuser 20" Flush	RXRN-FA75	RXRN-FA75	No
Rectangular to Round 16" Side	RXMC-BB01	N/A	No
Louver Kit (3 Sides)	AXRX-AAD01B	AXRX-AAD01B	Yes
Low Ambient Control to 0°F [-18°C]	RXRZ-A04	RXRZ-A04	Yes
Non-Powered Convenience Outlet	RXR-AN02	RXR-AN02	Yes
Comfort Alert (1 Per Compressor)	RXR-AZ01	RXR-AZ01	Yes
BACnet Communication Card	RXR-AY01	RXR-AY01	No
Lonworks Communication Card	RXR-AY02	RXR-AY02	No
Thermostats	See Thermostat Spec Sheet (T11-001)		No

*Voltage
C = 208-230 VAC-3PH-60HZ
D = 460 VAC-3PH-60HZ

NOTES: ① Economizer is designed for downflow or horizontal applications.

[] Designates Metric Conversions





THERMOSTATS



200-Series *
Programmable



300-Series *
Deluxe
Programmable

400-Series *
Special Applications/
Programmable

Brand	Descriptor (3 Characters)	Series (3 Characters)	System (2 Characters)	Type (2 Characters)
RHC	- TST	213	UN	MS
RHC=Rheem	TST=Thermostat	200=Programmable 300=Deluxe Programmable 400=Special Applications/ Programmable	GE=Gas/Electric UN=Universal (AC/HP/GE) MD=Modulating Furnace DF=Dual Fuel	SS=Single-Stage MS=Multi-Stage

* Photos are representative. Actual models may vary.

For detailed thermostat match-up information,
see specification sheet form number T11-001.



FLUSH MOUNT ROOM TEMPERATURE SENSORS FOR NETWORKED DDC APPLICATIONS



ROOM TEMPERATURE SENSOR **RHC-ZNS1** with **TIMED OVERRIDE BUTTON**

10k Ω room temperature sensor transmits room temperature to DDC system. Timed override button allows tenant to change from unoccupied temperature setpoint to occupied temperature setpoint for a preset time.



ROOM TEMPERATURE SENSOR **RHC-ZNS2** with **TIMED OVERRIDE BUTTON** and **STATUS INDICATOR**

10k Ω room temperature sensor transmits room temperature to DDC system. Timed override button allows tenant to change from unoccupied temperature setpoint to occupied temperature setpoint for a preset time. Status Indicator Light transmits ALARM flash code to occupied space.



ROOM TEMPERATURE SENSOR **RHC-ZNS3** with **SETPOINT ADJUSTMENT** and **TIMED OVERRIDE BUTTON**

10k Ω room temperature sensor with setpoint adjustment transmits room temperature to DDC system along with desired occupied room temperature setpoint. Timed override button allows tenant to change from unoccupied temperature setpoint to occupied temperature setpoint for a preset time.

COMMUNICATION CARDS

Field Installed



BACnet® COMMUNICATION CARD **RXRX-AY01**

The field installed BACnet® Communication Card allows the RTU-C unit controller to communicate with a third party building management system that supports the BACnet Application Specific Controller device profile. The BACnet® Communication Module plugs onto the unit RTU-C controller and allows communication between the RTU-C and the BACnet MSTP network.



LonWorks® COMMUNICATION CARD **RXRX-AY02**

The field installed LonWorks® Communication Card allows the RTU-C unit controller to communicate with a third party building management system that supports the LonMark Space Comfort Controller (SCC) functional profile or LonMark Discharge Air Controller (DAC) functional profile. The LonMark Communication Module plugs onto the RTU-C controller and allows communication between the RTU-C and a LonWorks Network.

Roofcurb Adapters

Old Models

MEDIUM CABINET (3 TON [11 kW])

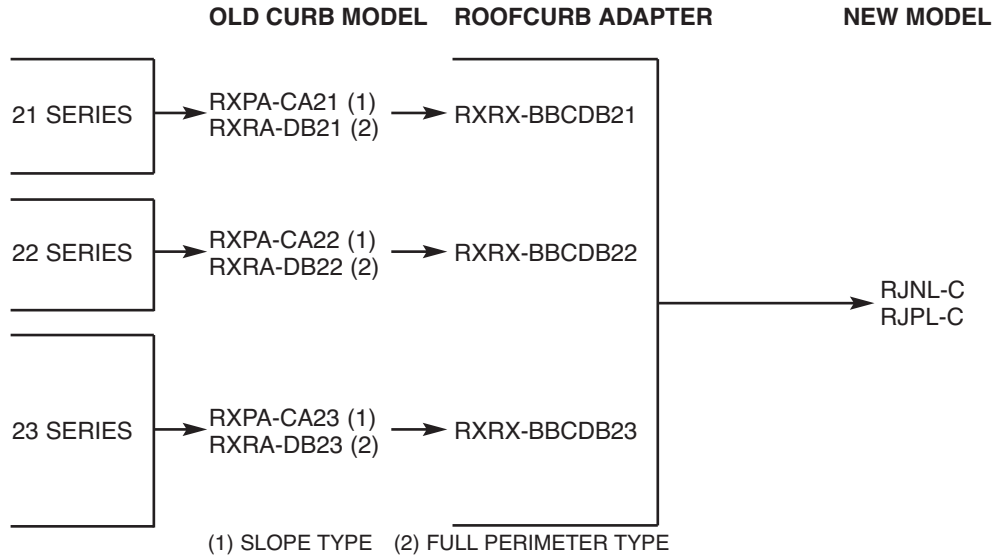
(-)SNC, (-)SND, (-)SNE
(-)RGE, (-)RGF, (-)RGG
(-)PNC, (-)PND

LARGE CABINET

(3-3.5 TON [11-12 kW])
(-)RGE, (-)RGF, (-)RGG,
(-)RGH (3 TON [11 kW])

EXTRA LARGE CABINET

(3.5-5 TON [12-18 kW])
(-)SNC, (-)SND, (-)SNE
(-)RGE, (-)RGF,
(-)RGG (4-5 TON [14-18 kW])
(-)PNC, (-)PND, (-)RGH
(3.5, 4 TON [12-14 kW])

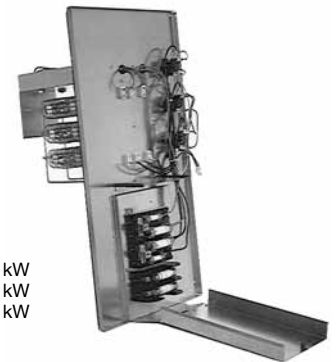
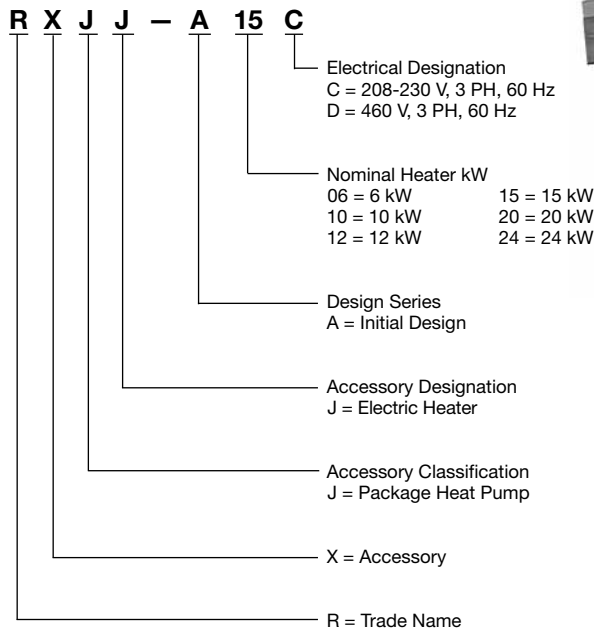


Field Installed Resistance Heater Kits

Electric Heater Kits are designed for field installation using either single-point power wiring or dual circuit wiring. Low voltage plugs are provided to allow for quick connection to the unit. Removing a block-off panel on the unit allows the heater elements to be inserted into the supply air down stream from the indoor coil and supply air blower.

[] Designates Metric Conversions

Model Number Identifier:

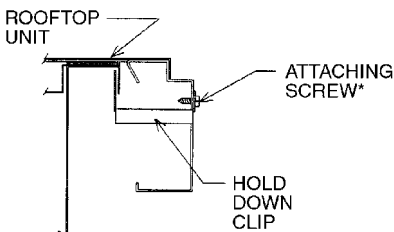
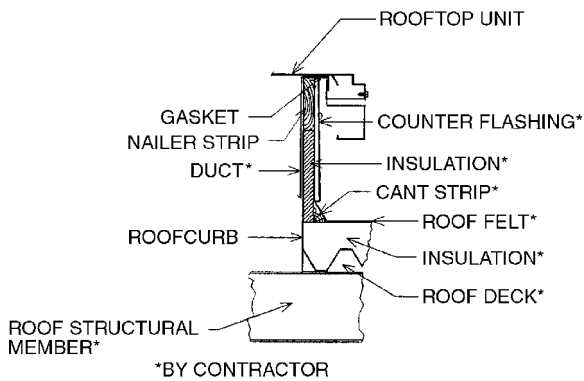


ROOFCURBS (Full Perimeter)

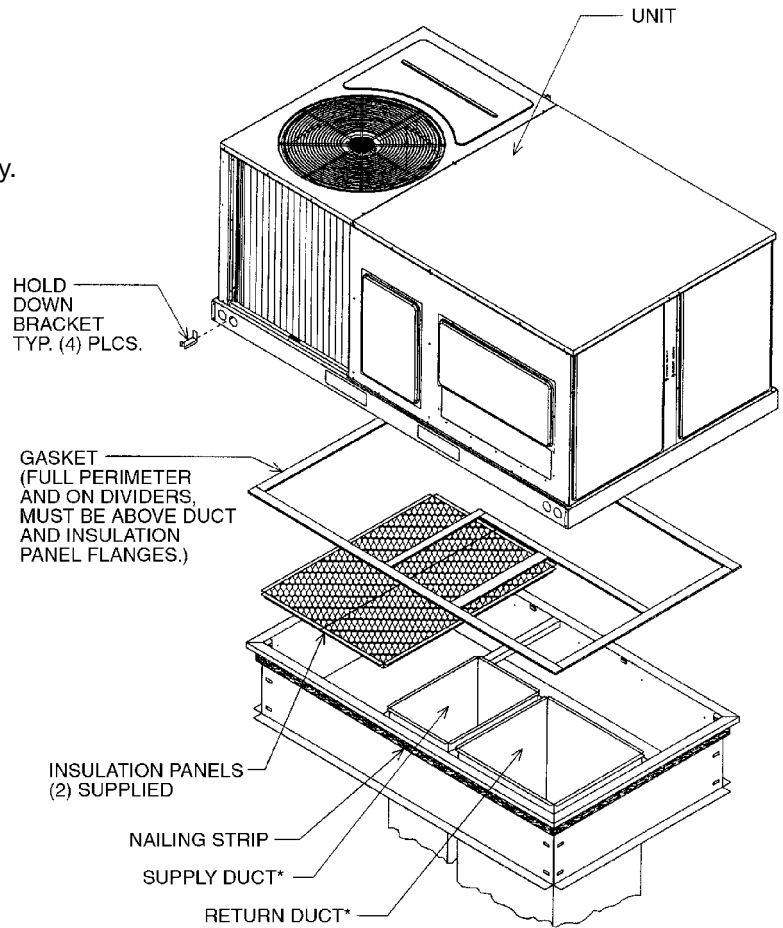
- Rheem's new roofcurb design can be utilized on 3 through 6 ton [10.6-21.1 kW] models.
- Two available heights (14" [356 mm] and 24" [610 mm]) for ALL models.
- Quick assembly corners for simple and fast assembly.
- Opening provided in bottom pan to match the "Thru the Curb" electrical connection opening provided on the unit base pan.
- 2" [51 mm] x 4" [102 mm] Nailer provided.
- Insulating panels provided.
- Sealing gasket (28" [711 mm]) provided with Roofcurb.
- Packaged for easy field assembly.

Roofcurb Model	Height of Curb
RXKG-CAD14	14" [356 mm]
RXKG-CAD24	24" [610 mm]

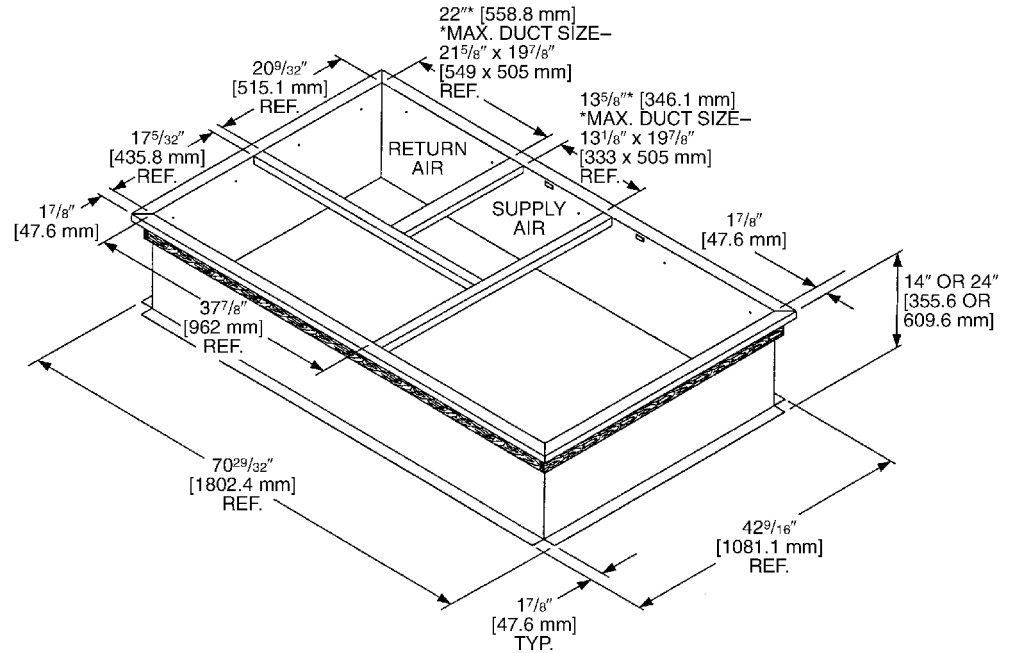
[*] Designates Metric Conversions



TYPICAL INSTALLATION

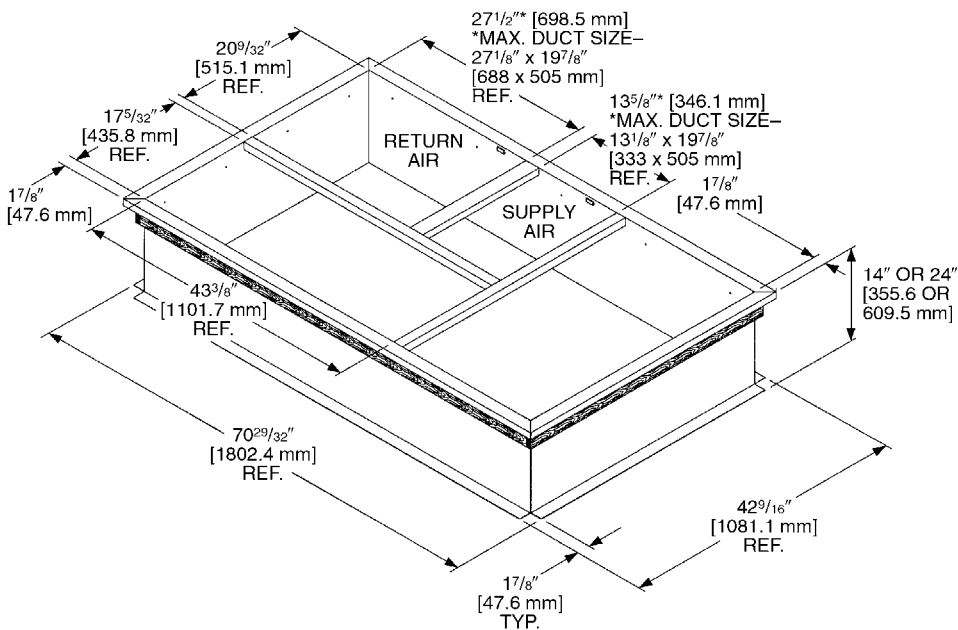


ROOFCURBS (Cont.)



ROOFCURB CONFIGURATION FOR RJNL-C/RJPL-C 3-5 TON [10.6-17.6 kW] MODELS

ROOFCURB CONFIGURATION FOR RJNL-C 6 TON [21.1 kW] MODELS



[] Designates Metric Conversions

Note: Roofcurb kits are the same for all models.
 (Figures above show locations for cross members that are model specific)

ECONOMIZERS

AXRD-01RKCCM3—3-5 Ton [10.6-17.6] models
AXRD-01RKCDM3—3-5 Ton [10.6-17.6] models

AXRD-01RHCCM3—6 Ton [21.1] model
AXRD-01RHCDM3—6 Ton [21.1] model

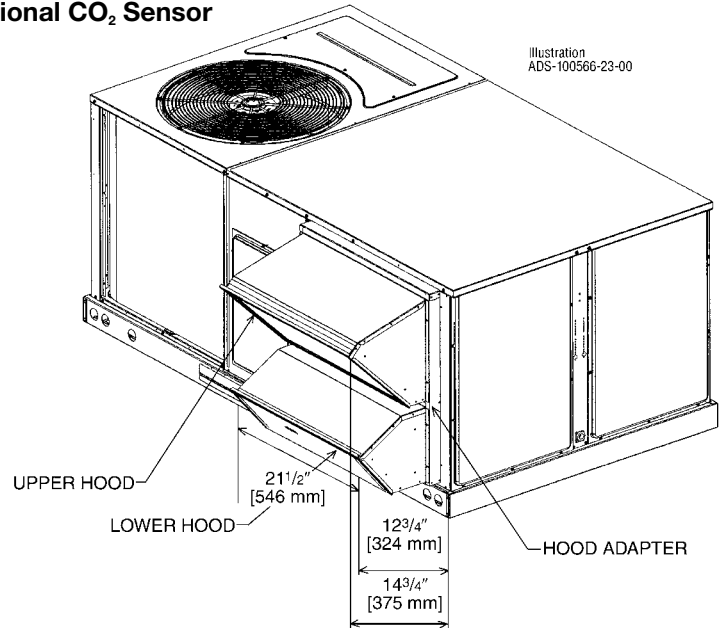
RXXR-AV03—3-5 Ton [10.6-17.6] models
RXXR-AR02—3-5 Ton [10.6-17.6] models

- Features **Honeywell** Controls
- Available Factory Installed or Field Accessory
- Gear Driven Direct Drive Actuator
- Fully Modulating (0-100%)
- Ultra Low Leak Dampers meet California Title 24 requirements
- Horizontal or Downflow Applications
- Slip-In Design for Easy Installations
- Plug-In Polarized 12-pin and Electrical Connections
- Pre-Configuring—No Field Adjustments Necessary
- Standard Barometric Relief Damper Provided
- Single Enthalpy with Dual Enthalpy Upgrade Kit
- CO₂ Input Sensor Available (field installed)
- Economizer Slips in complete for Downflow or Horizontal Duct Applications.
- Field Assembled Hood Ships with Economizer
- Optional Remote Minimum Position (Honeywell #S963B1128) is available from Prostock.
- Field installed power exhaust available.
- If connected to a Building Automation System (BAS), all economizer functions can be viewed on the (BAS), or 16 x 2 LCD screen
- If connected to thermostat, all economizer functions can be viewed on 16 x 2 LCD screen

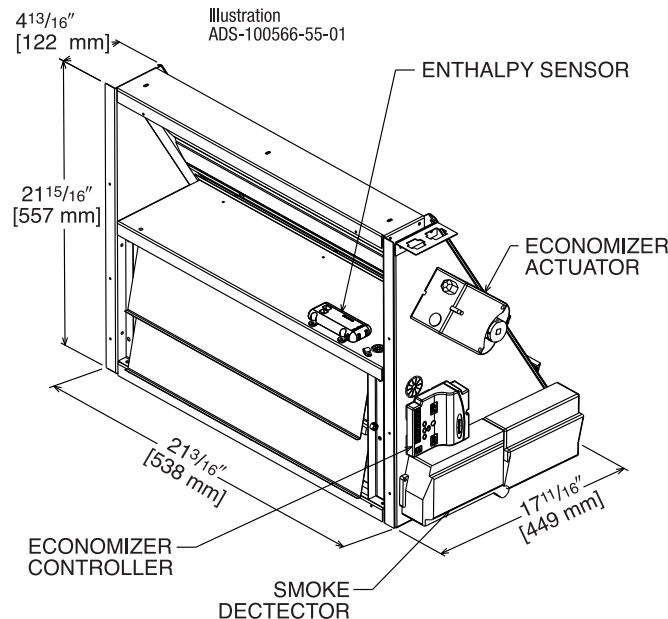
Single Enthalpy
Single Enthalpy and Smoke Detector

Single Enthalpy
Single Enthalpy and Smoke Detector

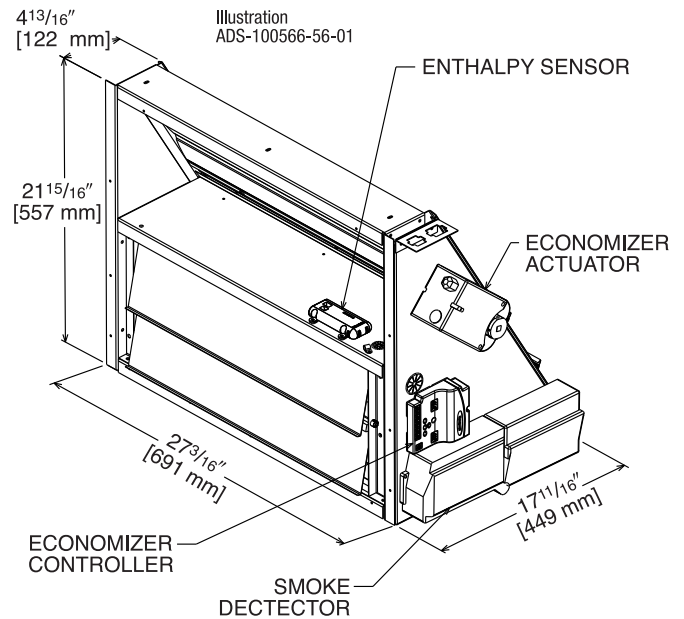
Dual Enthalpy Kit
Optional CO₂ Sensor



RJNL-C 3-5 Ton [10.6-17.6 kW] Models
RJPL-C 3-5 Ton [10.6-17.6 kW] Models



RJNL-C 6 Ton [21.1 kW] Models



[] Designates Metric Conversions

INTEGRAL POWER EXHAUST FOR ECONOMIZER (FIELD INSTALLED ONLY)

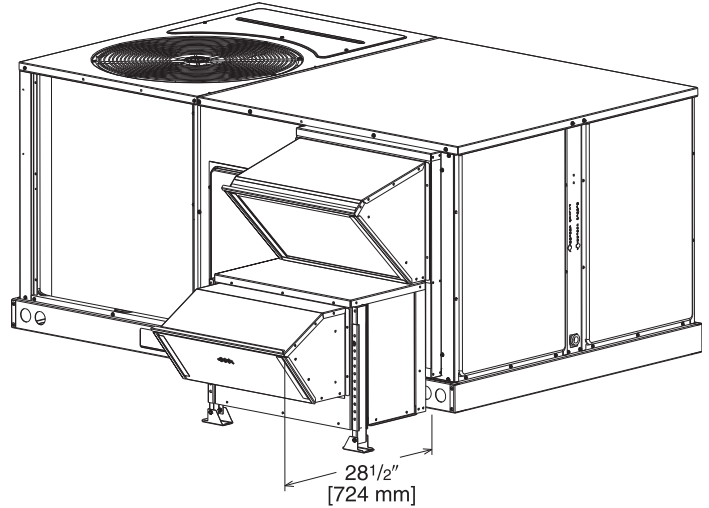
AXRX-BGF04C—RJNL-C 3-5 Ton [10.6-17.6 kW] Models 208-230 V, 1 PH, 60 Hz for AXRD-01RKCCM3 & AXRD-01RKCDM3 Economizers

AXRX-BGF04D—RJNL-C 3-5 Ton [10.6-17.6 kW] Models 460 V, 3 PH, 60 Hz for AXRD-01RKCCM3 & AXRD-01RKCDM3 Economizers

AXRX-BGF03C—RJNL-C 6 Ton [21.1 kW] for 208-230 V, AXRD-01RHCCM3 & 01RHCDM3 Economizers

AXRX-BGF03D—RJNL-C 6 Ton [21.1 kW] for 460 V, 3PH, 60 Hz AXRD-01RHCCM3 & 01RHCDM3 Economizers

- Downflow or horizontal applications
Requires separate 208-230 volt – 1 PH power supply with disconnect or requires separate 460V – 3 PH power supply with disconnect.
- Adjustable switch on economizer, factory preset to energize power exhaust at 95% outside air position
- Polarized plug connects power exhaust relay to economizer



POWER EXHAUST KIT FOR AXRD-01RKCCM3, AXRD-01RKCDM3, AXRD-01RHCCM3, AXRD-01RHCDM3 ECONOMIZERS

Model No.	No. of Fans	Volts	Phase	Watts	High Speed		FLA	LRA
					CFM ①	RPM		
AXRX-BGF03C	1	208/230	1	1000	2350	1725	4.8	25.6
AXRX-BGF03D	1	460	1	800	2350	1625	1.6	14.3
AXRX-BGF04C	1	208/230	1	1000	2350	1725	4.8	25.6
AXRX-BGF04D	1	460	1	800	2350	1625	1.6	14.3

① CFM is at 0" W.C. external static pressure.

FRESH AIR DAMPER

RJNL-C/RJPL-C 3-5 Ton [10.6-17.6 kW] Models

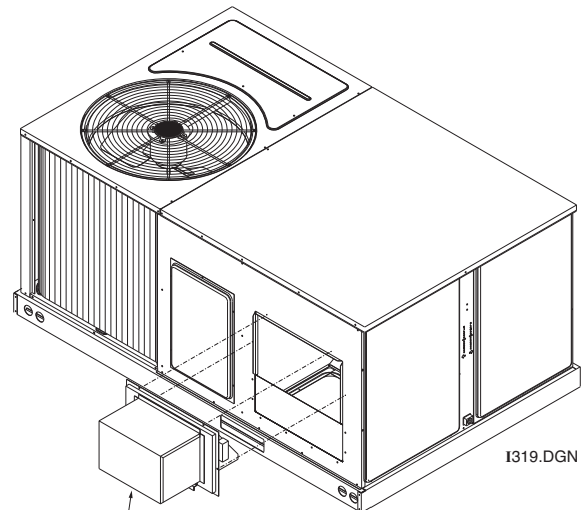
AXRF-FBA1

AXRF-FBB1

RJNL 6 Ton [21.1 kW] Models

AXRF-FCA1 (Manual)

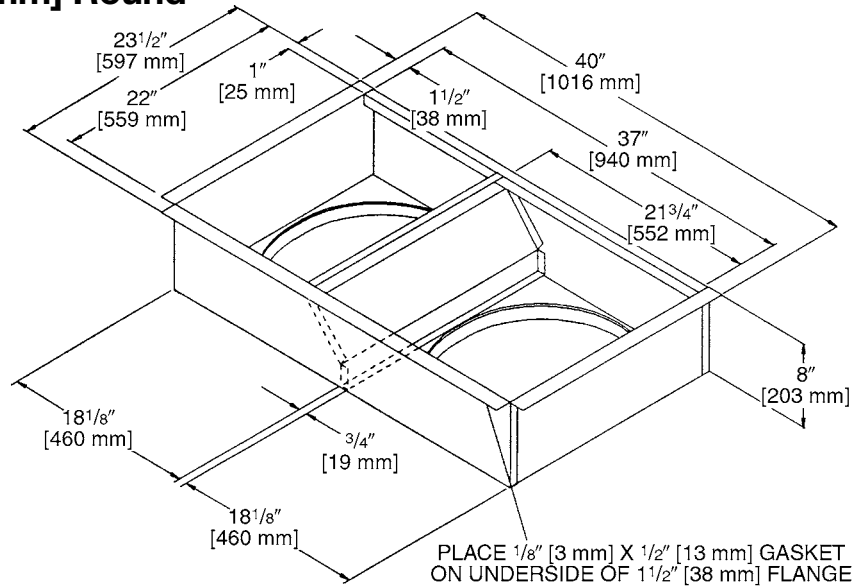
AXRF-FCB1 (Motorized)



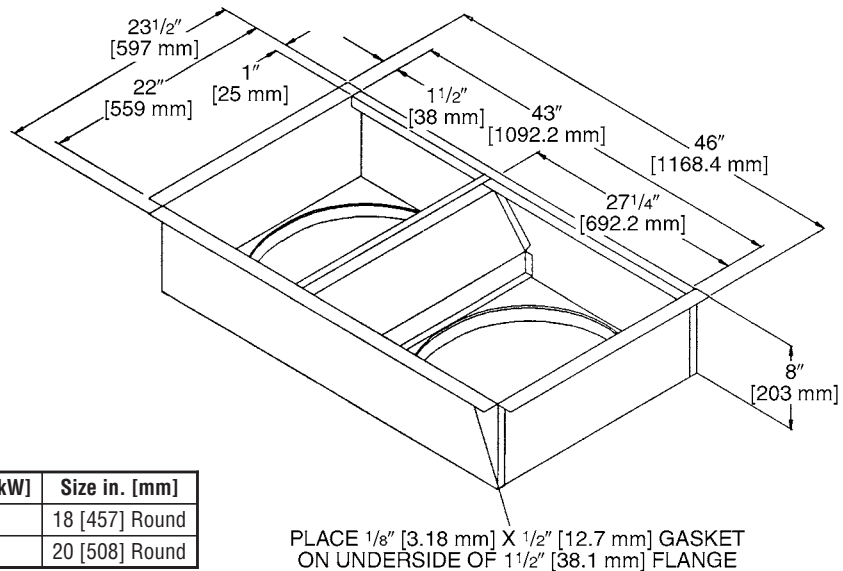
[] Designates Metric Conversions

DUCT ADAPTERS (3 TO 5 TON [10.6 TO 17.6 kW] MODELS) Rectangular to Round Transitions (Downflow) RXMC-CB03 – 18" [457 mm] Round

Available in 18 inch round to fit all units. Drops into and secures to RXKG- Series Roofcurbs. For use with Concentric Diffusers.



DUCT ADAPTERS (RJNL-C 6 Ton [21.1 kW] Models) Rectangular to Round Transitions (Downflow) RXMC-CC04 20" [508 mm] Round



Accessory Model No.	Model Application Tons [kW]	Size in. [mm]
RXMC-CB03	3-5 [10.6-17.6]	18 [457] Round
RXMC-CC04	6 [21.1]	20 [508] Round

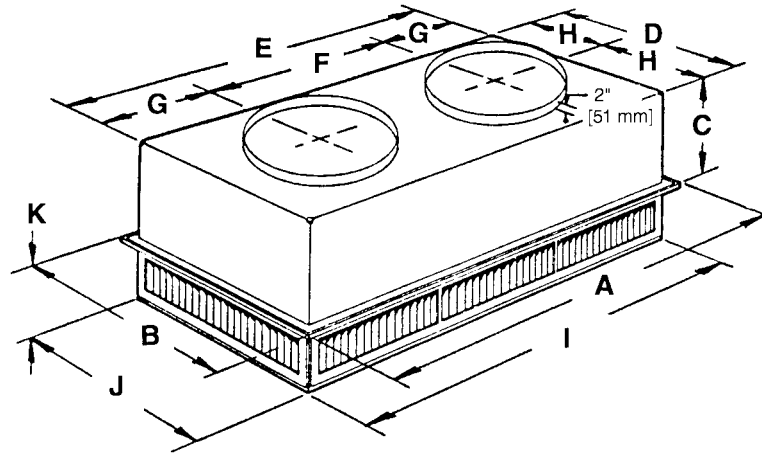
[] Designates Metric Conversions

SIDE DISCHARGE CONCENTRIC DIFFUSER

RXRN-FA60 (3 to 5 Ton [10.6 to 17.6 kW] Models)

RXRN-FA65 (6 Ton [21.1 kW] Model)

For Use With Duct Adapter (RXMC)



DIMENSIONAL DATA

Model No.	A	B	C	D	E	F	G	H	I	J	K	Duct Size
RXRN-FA60	47 ⁵ / ₈ " [1210 mm]	23 ⁵ / ₈ " [600 mm]	11 ³ / ₈ " [289 mm]	21 ¹ / ₂ " [546 mm]	45 ¹ / ₂ " [1156 mm]	22 ¹ / ₂ " [572 mm]	11 ¹ / ₂ " [292 mm]	10 ³ / ₄ " [273 mm]	45 ¹ / ₂ " [1156 mm]	21 ¹ / ₂ " [546 mm]	7 ¹ / ₈ " [181 mm]	18RD
RXRN-FA65	47 ⁵ / ₈ " [1210 mm]	29 ⁵ / ₈ " [752 mm]	14 ³ / ₈ " [365 mm]	27 ¹ / ₂ " [699 mm]	45 ¹ / ₂ " [1156 mm]	22 ¹ / ₂ " [572 mm]	11 ¹ / ₂ " [292 mm]	13 ³ / ₄ " [349 mm]	45 ¹ / ₂ " [1156 mm]	27 ¹ / ₂ " [699 mm]	8 ¹ / ₈ " [206 mm]	20RD

ENGINEERING DATA

Model No.	CFM [L/s]	Static Pressure	Throw Feet	Neck Vel.	Jet Vel.	Noise Level
RXRN-FA60	1000 [472]	.14	10-17	351	351	20
	1200 [566]	.17	11-18	421	421	20
	1400 [661]	.20	12-19	491	491	20
	1600 [755]	.24	12-20	561	561	20
	1800 [850]	.30	13-21	632	632	20
	2000 [944]	.36	14-23	702	702	20
RXRN-FA65	2200 [1038]	.40	16-25	772	772	20
	2600 [1227]	.17	24-29	669	669	20
	2800 [1321]	.20	25-30	720	720	25
	3000 [1416]	.25	27-33	772	772	25
	3200 [1510]	.31	28-35	823	823	25
3400 [1605]	.37	30-37	874	874	30	

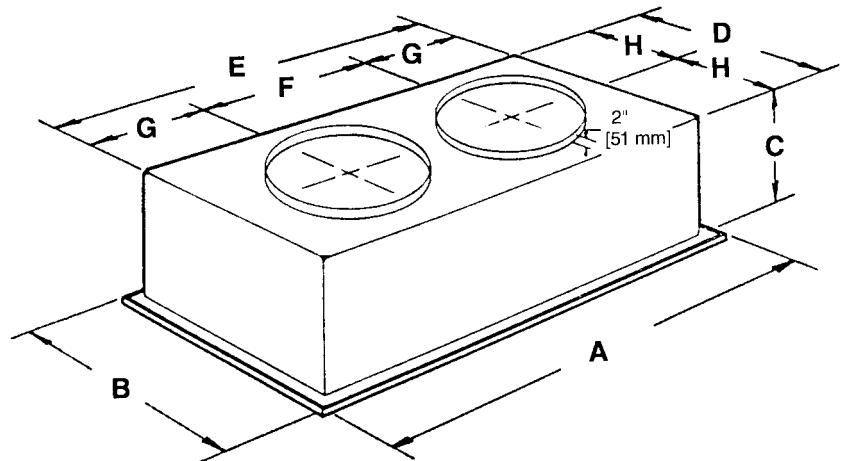
[] Designates Metric Conversions

FLUSH MOUNT CONCENTRIC DIFFUSER

RXRN-FA70 (3 to 5 Ton [10.6 to 17.6 kW] Models)

RXRN-FA75 (6 Ton [21.1 kW] Model)

For Use With Duct Adapter (RXMC)



DIMENSIONAL DATA

Model No.	A	B	C	D	E	F	G	H	Duct Size
RXRN-FA70	47 ⁵ / ₈ " [1210 mm]	23 ⁵ / ₈ " [600 mm]	13 ¹ / ₂ " [343 mm]	21" [533 mm]	45" [1143 mm]	22 ¹ / ₂ " [572 mm]	11 ¹ / ₄ " [286 mm]	10 ¹ / ₂ " [267 mm]	18RD
RXRN-FA75	47 ⁵ / ₈ " [1210 mm]	29 ⁵ / ₈ " [752 mm]	16 ⁵ / ₈ " [422 mm]	27" [686 mm]	45" [1143 mm]	22 ¹ / ₂ " [572 mm]	11 ¹ / ₄ " [286 mm]	13 ¹ / ₂ " [343 mm]	20RD

ENGINEERING DATA

Model No.	CFM [L/s]	Static Pressure	Throw Feet	Neck Vel.	Jet Vel.	Noise Level
RXRN-FA70	1000 [472]	.14	15-20	391	694	20
	1200 [566]	.17	16-22	469	833	25
	1400 [661]	.20	17-24	547	972	30
	1600 [755]	.24	18-25	625	1111	30
	1800 [850]	.30	20-28	703	1250	35
	2000 [944]	.36	21-29	781	1389	40
	2200 [1038]	.40	22-30	859	1528	40
RXRN-FA75	2600 [1227]	.17	19-24	663	1294	30
	2800 [1321]	.20	20-28	714	1393	35
	3000 [1416]	.25	21-29	765	1492	35
	3200 [1510]	.31	22-29	816	1592	40
	3400 [1605]	.37	22-30	867	1692	40

[] Designates Metric Conversions

Guide Specifications – RJNL-C036 thru C072 RJPL-C036 thru C060

You may copy this document directly into your building specification. This specification is written to comply with the 2004 version of the “master format” as published by the Construction Specification Institute. www.csinet.org.

ROOFTOP PACKAGED HEAT PUMP

HVAC Guide Specifications

Size Range: 3.0 to 6.0 Nominal Tons

Section	Description
---------	-------------

23 06 80	Schedules for Decentralized HVAC Equipment
-----------------	---

23 06 80.13	Decentralized Unitary HVAC Equipment Schedule
-------------	---

23 06 80.13.A.	Rooftop unit schedule
----------------	-----------------------

1. Schedule is per the project specification requirements.

23 07 16	HVAC Equipment Insulation
-----------------	----------------------------------

23 07 16.13	Decentralized, Rooftop Units:
-------------	-------------------------------

1. Interior cabinet surfaces shall be insulated with a minimum 3/4-in. thick, minimum 1-1/2 lb density, flexible fiberglass insulation bonded with a phenolic binder, with aluminum foil facing on the air side.
2. Insulation and adhesive shall meet NFPA 90A requirements for flame spread and smoke generation.

23 09 13	Instrumentation and Control Devices for HVAC
-----------------	---

23 09 13.23	Sensors and Transmitters
-------------	--------------------------

23 09 13.23.A.	Thermostats
----------------	-------------

1. Thermostat must
 - a. have capability to energize 2 different stages of cooling, and 2 different stages of heating and a reversing valve output.
 - b. must include capability for occupancy scheduling.

23 09 23	Direct-digital Control system for HVAC
-----------------	---

23 09 23.13	Decentralized, Rooftop Units:
-------------	-------------------------------

23 09 23.13.A.	RTU-C controller
----------------	------------------

1. Shall be ASHRAE 62-2001 compliant.
2. Shall accept 18-32VAC input power.
3. Shall have an operating temperature range from -40°F (-40°C) to 158°F (70°C), 10% - 95% RH (non-condensing).
4. Controller shall accept the following inputs: space temperature, setpoint adjustment, outdoor air temperature, indoor air quality, outdoor air enthalpy, fire shutdown, return air enthalpy, fan status, remote time clock/door switch.
5. Shall accept a CO₂ sensor in the conditioned space, and be Demand Control Ventilation (DCV) ready.
6. Shall provide the following outputs: Economizer, fan, cooling stage 1, cooling stage 2, heat stage 1, heat stage 2, heat stage 3/ exhaust/ reversing valve/ occupied.
7. Unit shall provide surge protection for the controller through a circuit breaker.
8. Shall have a field installed communication card allowing the unit to be Internet capable, and communicate at a Baud rate of 19.2K or faster
9. Shall have an LED display independently showing the status of activity on the communication bus, and processor operation.
10. Shall have either a field installed BACnet® plug-in communication card which includes an EIA-485 protocol communication port, or a field installed LonWorks™ plug-in communications card.
11. Software upgrades will be accomplished by local download. Software upgrades through chip replacements are not allowed.
12. Shall be shock resistant in all planes to 5G peak, 11ms during operation, and 100G peak, 11ms during storage.
13. Shall be vibration resistant in all planes to 1.5G @ 20-300 Hz.
14. Shall support a bus length of 4000 ft max, 60 devices per 1000 ft section, and 1 RS-485 repeater per 1000 ft sections.

23 09 23.13.B.	Open protocol, direct digital controller:
----------------	---

1. Shall be ASHRAE 62-2001 compliant.
2. Shall accept 18-30VAC, 50-60Hz, and consumer 15VA or less power.
3. Shall have an operating temperature range from -40°F (-40°C) to 130°F (54°C), 10% - 90% RH (non-condensing).
4. Shall have either a field installed BACnet® plug-in communication card which includes an EIA-485 protocol communication port, or a field installed LonWorks™ plug-in communications card.
5. The BACnet® plug in communication card shall include built-in protocol for BACNET (MS/TP and PTP modes)
6. The LonWorks™ plug in communication card shall include the Echelon processor required for all Lon applications.
7. Shall allow access of up to 62 network variables (SNVT). Shall be compatible with all open controllers
8. Baud rate Controller shall be selectable through the EIA-485 protocol communication port.
9. Shall have an LED display independently showing the status of serial communication, running, errors, power, all digital outputs, and all analog inputs.
10. Shall accept the following inputs: space temperature, setpoint adjustment, outdoor air temperature, indoor air quality, outdoor air enthalpy, compressor lock-out, fire shutdown, enthalpy switch, and fan status/filter status/ humidity/ remote occupancy.

11. Shall provide the following outputs: economizer, fan, cooling stage 1, cooling stage 2, heat stage 1, heat stage 2, heat stage 3/ exhaust/ reversing valve.
12. Software upgrades will be accomplished by either local or remote download. No software upgrades through chip replacements are allowed.

23 09 33 Electric and Electronic Control System for HVAC

23 09 33.13 Decentralized, Rooftop Units:

23 09 33.13.A. General:

1. Shall be complete with self-contained low-voltage control circuit protected by a resettable circuit breaker on the 24-v transformer side. Transformer shall have 100VA capabilities.
2. Shall utilize color-coded wiring.
3. Shall include a central control terminal board to conveniently and safely provide connection points for vital control functions such as: smoke detectors, phase monitor, economizer, thermostat, DDC control options, loss of charge, freeze sensor, high pressure switches.
4. Unit shall include a minimum of one 10-pin screw terminal connection board for connection of control wiring.
5. Shall include integrated defrost system to prevent excessive frost accumulation during heating duty, and shall be controlled as follows:
 - a. Defrost shall be initiated on the basis of Demand Defrost.
 - b. The need for a defrost cycle is determined by one of two factors: Time or Frost Detection.
 - c. Should six hours of compressor run time elapse without a defrost cycle and the coil temperature is below the frost accumulation temperature, a defrost cycle will be initiated.
 - d. The control shall be capable of detecting frost accumulation on the outdoor coil and initiate a defrost cycle when the Dry Coil Delta T + the Coil Temperature Dependant Variable (10 degrees of degradation) is sensed.
 - e. As the ambient temperature changes, the ambient change will be used to adjust the detection of frost accumulation.

23 09 33.23.B. Safeties:

1. Compressor over-temperature, over current.
2. Loss of charge switch.
 - a. Units with 2 compressors shall have different colored wires for the circuit 1 and circuit 2 low and high pressure switches.
 - b. Loss of charge switch shall use different color wire than the high pressure switch. The purpose is to assist the installer and service technician to correctly wire and or troubleshoot the rooftop unit.
 - c. Loss of charge switch shall have a different sized connector than the high pressure switch. They shall physically prevent the cross-wiring of the safety switches between the high and low pressure side of the system.
3. High-pressure switch.
 - a. Units with 2 compressors shall have different colored wires for the circuit 1 and circuit 2 low and high pressure switches.
 - b. High pressure switch shall use different color wire than the low pressure switch. The purpose is to assist the installer and service person to correctly wire and or troubleshoot the rooftop unit.
 - c. High pressure switch shall have a different sized connector than the loss of charge switch. They shall physically prevent the cross-wiring of the safety switches between the high and low pressure side of the system.
4. Freeze protection sensor, evaporator coil.
5. Automatic reset, motor thermal overload protector.

23 09 93 Sequence of Operations for HVAC Controls

23 09 93.13 Decentralized, Rooftop Units:

23 09 93.13 INSERT SEQUENCE OF OPERATION

23 40 13 Panel Air Filters

23 40 13.13 Decentralized, Rooftop Units:

23 40 13.13.A. Standard filter section shall

1. Shall consist of factory-installed, low velocity, throwaway 2-in. thick fiberglass filters of commercially available sizes.
2. Filters shall be accessible through an access panel as described in the unit cabinet section of this specification (23 81 19.13.H).

23 81 19 Self-Contained Air Conditioners

23 81 19.13 Small-Capacity Self-Contained Air Conditioners

23 81 19.13.A. General

1. Outdoor, rooftop mounted, electrically controlled, heating and cooling unit utilizing a(n) hermetic scroll compressor(s) for cooling duty and heat pump for heating duty.
2. Factory assembled, single-piece heating and cooling rooftop unit. Contained within the unit enclosure shall be all factory wiring, piping, controls, and special features required prior to field start-up.
3. Unit shall use environmentally sound R-410a refrigerant.
4. Unit shall be installed in accordance with the manufacturer's instructions.
5. Unit must be selected and installed in compliance with local, state, and federal codes.

23 81 19.13.B. Quality Assurance

1. Unit meets ASHRAE 90.1-2004 minimum efficiency requirements.
2. 3 phase units are Energy Star qualified.
3. Unit shall be rated in accordance with AHRI Standards 210/240 and 340/360.
4. Unit shall be designed to conform to ASHRAE 15, 2001.
5. Unit shall be UL-tested and certified in accordance with ANSI Z21.47 Standards and UL-listed and certified under Canadian standards as a total package for safety requirements.
6. Insulation and adhesive shall meet NFPA 90A requirements for flame spread and smoke generation.
7. Unit casing shall be capable of withstanding 500-hour salt spray exposure per ASTM B117 (scribed specimen).
8. Unit casing shall be capable of withstanding Federal Test Method Standard No. 141 (Method 6061) 5000-hour salt spray.
9. Unit shall be designed in accordance with ISO 9001:2000, and shall be manufactured in a facility registered by ISO 9001:2000.
10. Roof curb shall be designed to conform to NRCA Standards.
11. Unit shall be subjected to a completely automated run test on the assembly line. The data for each unit will be stored at the factory, and must be available upon request.
12. Unit shall be designed in accordance with UL Standard 1995, including tested to withstand rain.
13. Unit shall be constructed to prevent intrusion of snow and tested to prevent snow intrusion into the control box up to 40 mph.

23 81 19.13.C. Delivery, Storage, and Handling

1. Unit shall be stored and handled per manufacturer's recommendations.
2. Lifted by crane requires either shipping top panel or spreader bars.
3. Unit shall only be stored or positioned in the upright position.

23 81 19.13.E. Project Conditions

1. As specified in the contract.

23 81 19.13.F. Operating Characteristics

1. Unit shall be capable of starting and running at 115°F (46°C) ambient outdoor temperature, meeting maximum load criteria of AHRI Standard 210/240 or 340/360 at $\pm 10\%$ voltage.
2. Compressor with standard controls shall be capable of operation from 40°F (4°C), ambient outdoor temperatures. Accessory low ambient kit is necessary if mechanically cooling at ambient temperatures below 40°F (4°C).
3. Unit shall be capable of simultaneous heating duty and defrost cycle operation when using accessory electric heaters.
4. Unit shall discharge supply air vertically or horizontally as shown on contract drawings.
5. Unit shall be factory configured for vertical supply & return configurations.
6. Unit shall be field convertible from vertical to horizontal configuration.

23 81 19.13.G. Electrical Requirements

1. Main power supply voltage, phase, and frequency must match those required by the manufacturer.

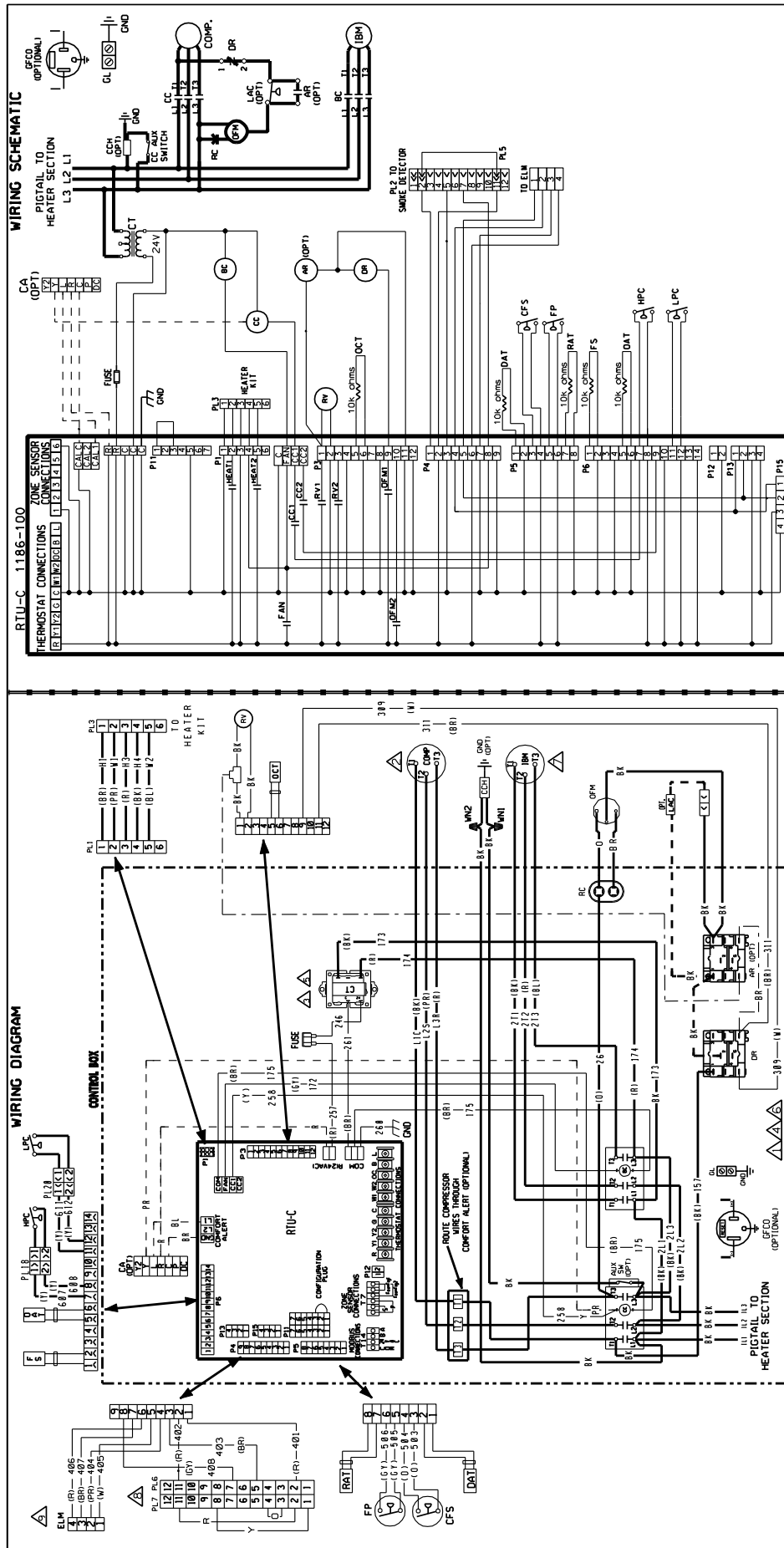
23 81 19.13.H. Unit Cabinet

1. Unit cabinet shall be constructed of galvanized steel, and shall be bonderized and coated with pre-painted baked enamel finish on all externally exposed surfaces.
2. Unit cabinet exterior paint shall be: film thickness, (dry) 0.003 inches minimum, gloss (per ASTM D523, 60°F): 60, Hardness: H-2H Pencil hardness.
3. Evaporator fan compartment interior cabinet insulation shall conform to AHRI Standards 210/240 or 340/360 minimum exterior sweat criteria. Interior surfaces shall be insulated with a minimum 3/4-in. thick, 1 lb density, flexible fiberglass insulation, aluminum foil-faced on the air side.
4. Base of unit shall have locations for thru-the-base electrical connections (factory installed or field installed), standard.
5. Base Rail
 - a. Unit shall have base rails on all sides.
 - b. Holes shall be provided in the base rails for rigging shackles to facilitate maneuvering and overhead rigging.
 - c. Holes shall be provided in the base rail for moving the rooftop by fork truck.
 - d. Base rail shall be a minimum of 14 gauge thickness.
6. Condensate pan and connections:
 - a. Shall be a sloped condensate drain pan made of a non-corrosive material.
 - b. Shall comply with ASHRAE Standard 62.
 - c. Shall use a 1" -11 1/2 NPT drain connection, through the side of the drain pan. Connection shall be made per manufacturer's recommendations.
7. Top panel:
 - a. Indoor section shall be a single piece top panel.
8. Electrical Connections
 - a. All unit power wiring shall enter unit cabinet at a single, factory-prepared, knockout location.
 - b. Thru-the-base capability
 - (1.) Standard unit shall have a thru-the-base electrical location(s) using a raised, embossed portion of the unit basepan.
 - (2.) No basepan penetration, other than those authorized by the manufacturer, is permitted.

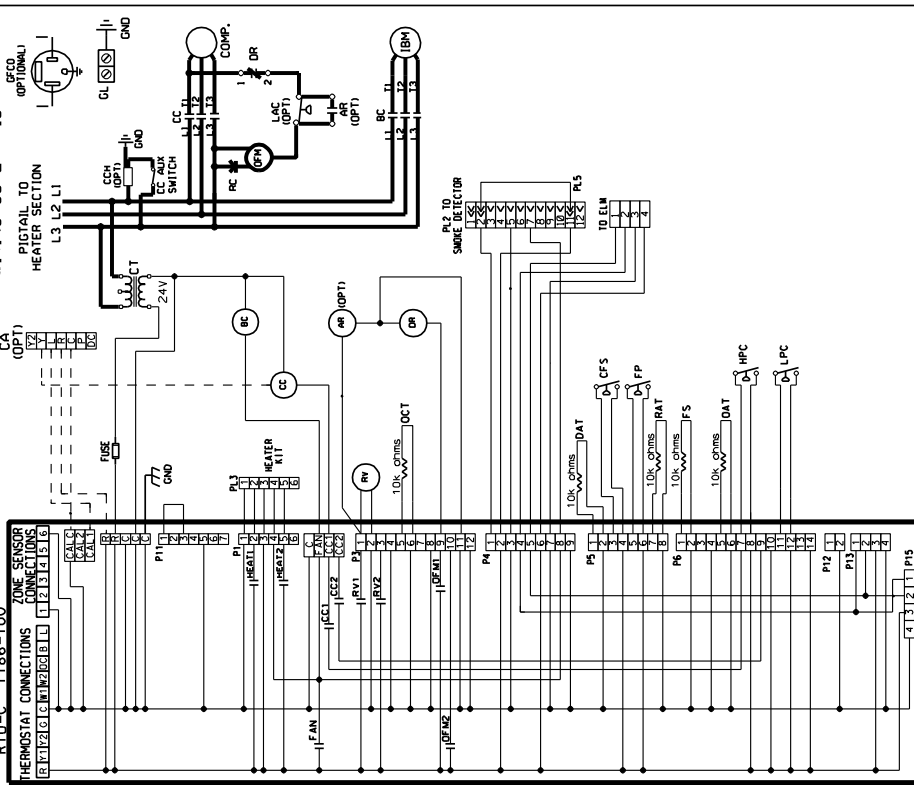
9. Component access panels (standard)
 - a. Cabinet panels shall be easily removable for servicing.
 - b. Stainless steel metal hinges are standard on all doors.
 - c. Panels covering control box, indoor fan, indoor fan motor, and air filters, shall have 1/4 turn latches (optional).
- 23 81 19.13.J. Coils
 1. Standard Aluminum/Copper Coils: on all models.
 - a. Standard evaporator and condenser coils shall have aluminum lanced plate fins mechanically bonded to seamless internally grooved copper tubes with all joints brazed.
 - b. Evaporator and Condenser coils shall be leak tested to 150 psig, pressure tested to 550 psig, and qualified to UL 1995 burst test at 2,200 psig.
- 23 81 19.13.K. Refrigerant Components
 1. Refrigerant circuit shall include the following control, safety, and maintenance features:
 - a. Thermal Expansion Valve (TXV) with venturi type distributor.
 - b. Refrigerant filter drier.
 - c. External service gauge connections to unit suction and discharge lines.
 2. Compressors
 - a. Unit shall use one fully hermetic, scroll compressor for each independent refrigeration circuit.
 - b. Compressor motors shall be cooled by refrigerant gas passing through motor windings.
 - d. Compressors shall be internally protected from high discharge temperature conditions.
 - e. Compressors shall be protected from an over-temperature and over-ampereage conditions by an internal, motor overload device.
 - f. Compressor shall be factory mounted on rubber grommets.
 - g. Compressor motors shall have internal line break thermal, current overload and high pressure differential protection.
 - h. Crankcase heaters shall be utilized on all models to protect compressor with specific refrigerant charge.
- 23 81 19.13.L. Filter Section
 1. Filters access is specified in the unit cabinet section of this specification.
 2. Filters shall be held in place by a sliding filter tray, facilitating easy removal and installation.
 3. Shall consist of factory-installed, low velocity, throw-away 2-in. thick fiberglass filters.
 4. Filters shall be standard, commercially available sizes.
 5. Filter face velocity shall not exceed 365 fpm at nominal airflows.
- 23 81 19.13.M. Evaporator Fan and Motor
 1. Evaporator fan motor:
 - a. Shall have permanently lubricated bearings.
 - b. Shall have inherent automatic-reset thermal overload protection or circuit breaker.
 - c. Shall have a maximum continuous bhp rating for continuous duty operation; no safety factors above that rating shall be required.
 2. Belt-driven Evaporator Fan:
 - a. Belt drive shall include an adjustable-pitch motor pulley.
 - b. Shall use sealed, permanently lubricated ball-bearing type.
 - c. Blower fan shall be double-inlet type with forward-curved blades.
 - d. Shall be constructed from steel with a corrosion resistant finish and dynamically balanced.
- 23 81 19.13.N. Condenser Fans and Motors
 1. Condenser fan motors:
 - a. Shall be a totally enclosed motor.
 - b. Shall use permanently lubricated bearings.
 - c. Shall have inherent thermal overload protection with an automatic reset feature.
 - d. Shall use a shaft-down design. Shaft-up designs including those with "rain-slinger devices" shall not be allowed.
 2. Condenser Fans:
 - a. Shall be a direct-driven propeller type fan.
 - b. Shall have aluminum blades riveted to corrosion-resistant steel spiders and shall be dynamically balanced.
- 23 81 19.13.O. Special Features, Options and Accessories
 1. Integrated Economizers:
 - a. Integrated, gear-driven parallel modulating blade design type capable of simultaneous economizer and compressor operation.
 - b. Independent modules for vertical or horizontal return configurations shall be available. Vertical return modules shall be available as a factory installed option.
 - c. Damper blades shall be galvanized steel with metal gears. Plastic or composite blades on intake or return shall not be acceptable.
 - d. Shall include all hardware and controls to provide free cooling with outdoor air when temperature and/or humidity are below setpoints.

- e. Shall be equipped with gear driven dampers for both the outdoor ventilation air and the return air for positive air stream control.
 - f. Shall be capable of introducing up to 100% outdoor air.
 - g. Shall be equipped with a barometric relief damper capable of relieving up to 100% return air.
 - h. Shall be designed to close damper(s) during loss-of-power situations with spring return built into motor.
 - i. An outdoor single enthalpy sensor shall be provided as standard. Outdoor air sensor setpoint shall be adjustable and shall range from the enthalpy equivalent of 63°F @ 50% rh to 73°F @ 50% rh. Additional sensor options shall be available as accessories.
 - j. The economizer controller shall also provide control of an accessory power exhaust unit function. Factory set at 70%, with a range of 0% to 100%.
 - k. The economizer shall maintain minimum airflow into the building during occupied period and provide design ventilation rate for full occupancy. A remote potentiometer may be used to override the damper setpoint.
 - l. Dampers shall be completely closed when the unit is in the unoccupied mode.
 - m. Economizer controller shall accept a 2-10Vdc CO₂ sensor input for IAQ/DCV control. In this mode, dampers shall modulate the outdoor-air damper to provide ventilation based on the sensor input.
 - n. Compressor lockout sensor on the unit controller is factory set at 35°F and is adjustable from 30°F (-1°C) to 50°F (10°C) and resets the cooling lockout at 5°F (+2.7°C) above the set point.
 - o. Actuator shall be direct coupled to economizer gear. No linkage arms or control rods shall be acceptable.
 - p. Economizer controller shall provide indications when in free cooling mode, in the DCV mode, or the exhaust fan contact is closed.
 - q. Economizer wire harness will have provision for smoke detector.
 - r. Ultra Low Leak Dampers shall meet California Title 24 requirements.
 - s. Economizer controller shall meet California Title 24 FDD (Fault Detection and Diagnostics) requirements.
2. Two-Position Motorized Damper
- a. Damper shall be a Two-Position Motorized Damper. Damper travel shall be from the full closed position to the field adjustable %-open setpoint.
 - b. Damper shall include adjustable damper travel from 25% to 100% (full open).
 - c. Damper shall include single or dual blade, gear driven dampers and actuator motor.
 - d. Actuator shall be direct coupled to damper gear. No linkage arms or control rods shall be acceptable.
 - e. Damper will admit up to 100% outdoor air for applicable rooftop units.
 - f. Damper shall close upon indoor (evaporator) fan shutoff and/or loss of power.
 - g. The damper actuator shall plug into the rooftop unit's wiring harness plug. No hard wiring shall be required.
 - h. Outside air hood shall include aluminum water entrainment filter
3. Manual damper
- a. Manual damper package shall consist of damper, air inlet screen, and rain hood which can be preset to admit up to 50% outdoor air for year round ventilation.
4. Head Pressure Control Package
- a. Controller shall control coil head pressure by condenser-fan cycling.
5. Condenser Coil Hail Guard Assembly
- a. Shall protect against damage from hail.
 - b. Shall be louvered design.
6. Convenience Outlet:
- a. Non-Powered convenience outlet.
 - (1.) Outlet shall be powered from a separate 115-120v power source.
 - (2.) A transformer shall not be included.
 - (3.) Outlet shall be factory-installed and internally mounted with easily accessible 115-v female receptacle.
 - (4.) Outlet shall include 15 amp GFI receptacles.
 - (5.) Outlet shall be accessible from outside the unit.
 - (6.) Outlet shall have wet location, while-in-use cover.
7. Fan/Filter Status Switch:
- a. Switch shall provide status of indoor evaporator fan (ON/OFF) or filter (CLEAN/DIRTY).
 - b. Status shall be displayed either over communication bus (when used with direct digital controls) or through the controller LCD display inside the unit control box.
8. Propeller Power Exhaust:
- a. Power exhaust shall be used in conjunction with an integrated economizer.
 - b. Independent modules for vertical or horizontal return configurations shall be available.
 - c. Horizontal power exhaust is shall be mounted in return ductwork.
 - d. Power exhaust shall be controlled by economizer controller operation. Exhaust fans shall be energized when dampers open past the 0-100% adjustable setpoint on the economizer control.

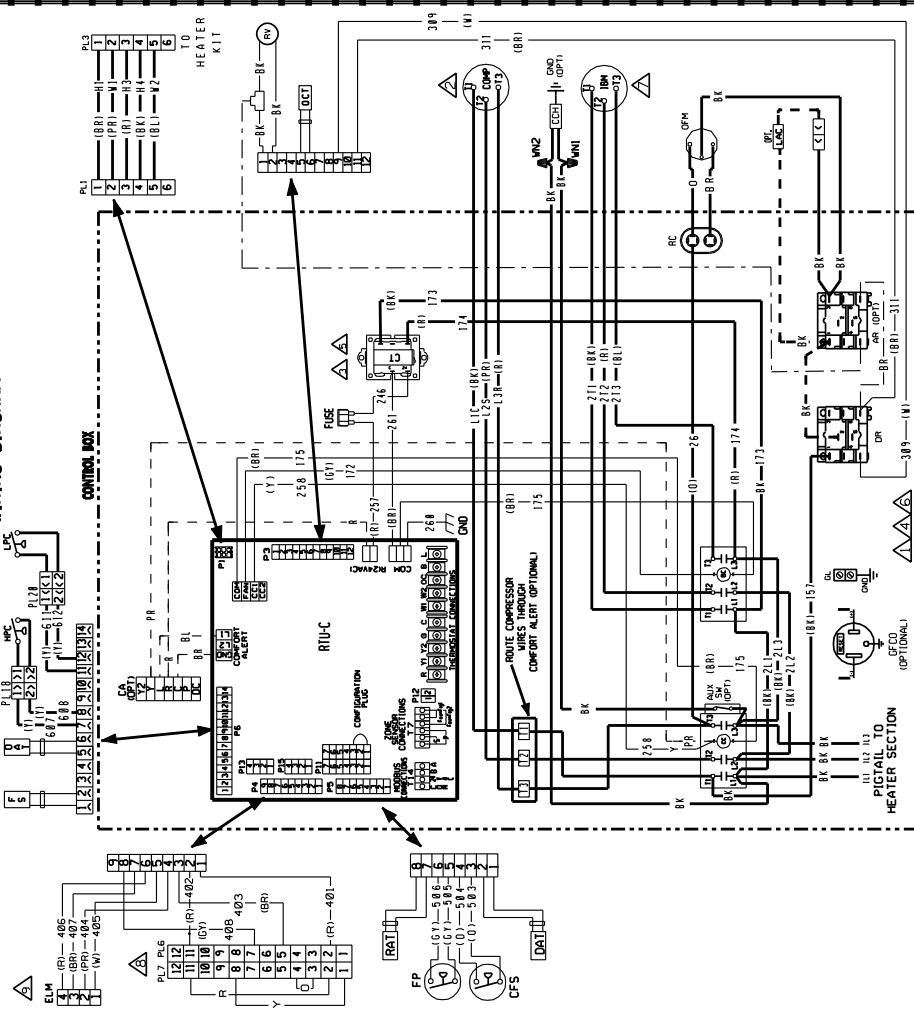
9. Roof Curbs (Vertical):
 - a. Full perimeter roof curb with exhaust capability providing separate air streams for energy recovery from the exhaust air without supply air contamination.
 - b. Formed galvanized steel with wood nailer strip and shall be capable of supporting entire unit weight.
 - c. Permits installation and securing of ductwork to curb prior to mounting unit on the curb.
10. High-Static Indoor Fan Motor(s) and Drive(s):
 - a. High-static motor(s) and drive(s) shall be factory-installed to provide additional performance range.
11. Outdoor Air Enthalpy Sensor:
 - a. The outdoor air enthalpy sensor shall be used to provide single enthalpy control. When used in conjunction with a return air enthalpy sensor, the unit will provide differential enthalpy control. The sensor allows the unit to determine if outside air is suitable for free cooling.
13. Return Air Enthalpy Sensor:
 - a. The return air enthalpy sensor shall be used in conjunction with an outdoor air enthalpy sensor to provide differential enthalpy control.
14. Indoor Air Quality (CO₂) Sensor:
 - a. Shall be able to provide demand ventilation indoor air quality (IAQ) control.
 - b. The IAQ sensor shall be available in wall mount with LED display. The setpoint shall have adjustment capability.
15. Smoke detectors:
 - a. Shall be a Four-Wire Controller and Detector.
 - b. Shall be environmental compensated with differential sensing for reliable, stable, and drift-free sensitivity.
 - c. Shall use magnet-activated test/reset sensor switches.
 - d. Shall have a recessed momentary switch for testing and resetting the detector.
 - e. Controller shall include:
 - (1.) One set of normally open alarm initiation contacts for connection to an initiating device circuit on a fire alarm control panel.
 - (2.) Two Form-C auxiliary alarm relays for interface with rooftop unit or other equipment.
 - (3.) One Form-C supervision (trouble) relay to control the operation of the Trouble LED on a remote test/reset station.
 - (4.) Capable of direct connection to two individual detector modules.
 - (5.) Can be wired to up to 14 other duct smoke detectors for multiple fan shutdown applications.
16. Electric Heat:
 - a. Heating Section
 - (1.) Heater element open coil resistance wire, nickel-chrome alloy, strung through ceramic insulators mounted on metal frame. Coil ends are staked and welded to terminal screw slots.
 - (2.) Heater assemblies are provided with integral fusing for protection of internal heater circuits not exceeding 48 amps each. Auto reset thermo limit controls, magnetic heater contactors (24 v coil) and terminal block all mounted in electric heater control box (minimum 18 ga galvanized steel) attached to end of heater assembly.



WIRING SCHEMATIC



WIRING DIAGRAM



WIRE COLOR CODE

BK	BLACK	GY	GRAY	R	RED
BR	BROWN	O	ORANGE	W	WHITE
BL	BLUE	PK	PINK	Y	YELLOW
G	GREEN	PR	PURPLE		

ELECTRICAL WIRING DIAGRAM

208-230/460V 3 PH, 60 HZ.
HEAT PUMP W/R/T-C
3 - 6 TON

WIRING INFORMATION

- LINE VOLTAGE
- FACTORY STANDARD
- FACTORY OPTION
- FIELD INSTALLED
- LOW VOLTAGE
- FACTORY STANDARD
- FACTORY OPTION
- FIELD INSTALLED
- REPLACEMENT WIRE
- MUST BE THE SAME SIZE AND TYPE OF INSULATION AS ORIGINAL (105 C MIN.)
- CABINET MUST BE PERMANENTLY GROUNDED AND CONFORM TO I.E.C., N.E.C., C.E.C. AND LOCAL CODES AS APPLICABLE.

NOTES:

- COMPONENTS OUTSIDE OF USE WITH COMPRESSOR MOTOR PHASE MODELS ARE PROTECTED UNDER PRIMARY SINGLE PHASE CONDITIONS.
- TRANSFORMER FACTORY WIRING FOR CORRECT VOLTAGE, 230 VOLT SHOWN. REMOVE P17 FROM 240 VOLT TAP TO 208 VOLT TAP.
- CONNECT FIELD WIRE TO FACTORY WIRING IN RETURN AIR SECTION.
- LOW VOLTAGE CIRCUIT IS N.E.C. CLASS 2 WITH A CLASS 2 TRANSFORMER, 24V, 50/60 HZ SUPPLIED.

COMPONENT CODE

AR	ACCESSORY RELAY
BC	BLOWER CONTACTOR
CA	COMPACT ALERT MODULE
CC	COMPRESSOR CONTACTOR
CCH	COMPRESSOR HEATER
CCM	CLOGGED FILTER SWITCH
CCP	COMPRESSOR
CT	CONTROL TRANSFORMER
CR	DEFROST RELAY
DR	FAN PROTECT
FS	FREESTYLE SENSOR
GFCD	GROUND FAULT CONVENIENCE OUTLET
GL	GROUND LUG
HPC	HIGH PRESSURE CONTROL
IBM	INDOOR BLOWER MOTOR BELT DRIVE
LAC	LOW AMBIENT COOLING CONTROL
LPC	LOW PRESSURE CONTROL
OAT	OUTSIDE AIR TEMP SENSOR
OCT	OUTSIDE COIL TEMP SENSOR
OPH	OUTDOOR FAN MOTOR
PR	RETURN AIR SENSOR
RC	ROOF TOP UNIT CONTROL
RV	REVERSING VALVE
W	WIRE NUT

REV 02
DWG. NO. 90-103232-02
DATE 7-27-09
APP. BY MGR

BEFORE PURCHASING THIS APPLIANCE, READ IMPORTANT ENERGY COST AND EFFICIENCY INFORMATION AVAILABLE FROM YOUR RETAILER.

GENERAL TERMS OF LIMITED WARRANTY*

Rheem will furnish a replacement for any part of this product which fails in normal use and service within the applicable periods stated, in accordance with the terms of the limited warranty.

***For complete details of the Limited and Conditional Warranties, including applicable terms and conditions, contact your local contractor or the Manufacturer for a copy of the product warranty certificate.**

Compressor	
3-Phase, Commercial Application	Five (5) Years
Parts	
3-Phase, Commercial Applications	One (1) Year



Air

Notes

RJNL-C/RJPL-C Series





Air

Notes

RJNL-C/RJPL-C- Series





The new degree of comfort.™

In keeping with its policy of continuous progress and product improvement, Rheem reserves the right to make changes without notice.

Rheem Heating, Cooling & Water Heating • P.O. Box 17010
Fort Smith, Arkansas 72917 • www.rheem.com

Rheem Canada Ltd./Ltée • 125 Edgeware Road, Unit 1
Brampton, Ontario • L6Y 0P5



INTEGRATED AIR & WATER

PRINTED IN U.S.A. 10/16 QG FORM NO. P11-792 REV. 3