



RJNL-A

Parts List
11-April-2013



*This parts list is current as of the above revision date.
See <http://www.rheempartslists.net/92-42800-RJNL-A.pdf> for the current revision.*

Package Heat Pumps - Commercial

Table of Contents

Model Explanation	Page 3
Parts Numbers	
Panels - Miscellaneous (Granite-Steel Gray)	Page 4
Panels - Miscellaneous (Neutra Green)	Page 5
Electrical Group (1)	Page 6
Electrical Group (2)	Page 7
Electrical Group (3)	Page 8
Fan Group	Page 9
Blower Group - Direct Drive	Page 10
Blower Assembly - Belt Drive (1)	Page 11
Blower Assembly - Belt Drive (2)	Page 12
Blower Assembly - Belt Drive (3)	Page 13
Blower Motor Group - Belt Drive	Page 14
Coil Parts	Page 15
Compressor Group	Page 16
Heater Kits	Page 17
Accessories	Page 17
Drawings/Photographs	
Exploded View	Page 18
Control Box	Page 19
Blower Parts - Direct Drive	Page 19
Blower Parts - Belt Drive	Page 20
Blower Mounting - Belt Drive	Page 21
Coil Group Cut-away View	Page 22
Evaporator Coil - Filter Parts	Page 22
Compressor - Refrigeration Group	Page 23
Notes/Disclaimer	Page 24

No.	Notes	MODEL TECHNICAL VARIATION COOLING CAPACITY	RJNL- A 036-060	RJNL- A 072
PANELS, MISCELLANEOUS PARTS (Granite Steel Gray - After F4411)				
1		Base Rail - Side (2)	AE-58900-01	AE-58900-02
2		Base Rail - Condenser End	AE-58901-01	AE-58901-01
3		Base Rail - Evaporator End	AE-58902-01	AE-58902-01
4		Outdoor Coil Base Pan	AS-59051-01H	AS-59051-01H
5		Indoor Coil Base Pan	AS-58910-05	AS-58910-06
6		Condenser Bulkhead (Does not include Limit Baffle or Tube Support Angles)	AS-59126-02	AS-59126-02
		Shield (Covers opening on the Condenser Bulkhead Assembly)	AS-59152-01	AS-59152-01
8		Blower Bulkhead (Does not include Tube Support Angle, Blower Extension, or Insulation Retainer)	AS-59129-01	AS-59129-01
9		Blower Extension - Front	AE-58928-01	AE-58928-01
10		Blower Extension - Back	AE-58928-02	AE-58928-02
		Cover Plate (On the Blower Extension - Front to cover the Limit Control opening)	AE-76216-01	AE-76216-01
		Insulation Retainer	AE-59059-01	AE-59059-01
12		Wire Chase Insulation Assembly	AS-58927-01	AS-58927-01
13		Corner Post (2)	AS-58965-01H	AS-58965-01H
15		Louvered Panel	AS-59028-01H	AS-59028-01H
16		Louvered Panel	AS-59028-03H	AS-59028-03H
17		Louvered Panel	AS-59028-02H	AS-59028-02H
18		Supply/Return Cover Panels	AS-58992-01H	AS-58992-01H
19		Rear Panel (Includes Insulation, Filler Panel, and Stripping)	AS-58976-01H	AS-58976-02H
20		Return Air Filler	AS-58974-01H	AS-58974-02H
		Rear Panel Stripping - Cut Length	AE-58897-10	AE-58897-26
21		Blower/Filter Access Panels (2)	AS-58990-01H	AS-58990-01H
22		Post - Left End Assembly	AS-58973-01H	AS-58973-01H
23		Front Panel Insulation Assembly	AS-59132-01H	AS-59132-05H
24		Electric Heat Access Panel	AS-59121-02H	AS-59121-02H
25		Compressor Access Panel	AS-58983-04H	AS-58983-04H
26		Power Entry Panel	AS-58968-03H	AS-58968-03H
27		Front Post	AS-58967-01H	AS-58967-01H
28		Indoor Coil Top Panel Assembly	AS-58979-01H	AS-58979-02H
29		Condenser Top Panel	AS-58982-01H	AS-58982-01H
31		Wire Grille	95-101660-01	95-101660-01
33		Control Box (w/o components)	AS-59039-01	AS-59039-01
		Filter - Disposable	See Coil Group	See Coil Group

No.	Notes	MODEL TECHNICAL VARIATION COOLING CAPACITY	RJNL- A 036-060	RJNL- A 072
PANELS, MISCELLANEOUS PARTS (Neutra Green - Before F4411)				
1		Base Rail - Side (2)	AE-58900-01	AE-58900-02
2		Base Rail - Condenser End	AE-58901-01	AE-58901-01
3		Base Rail - Evaporator End	AE-58902-01	AE-58902-01
4		Outdoor Coil Base Pan	AS-59051-01A	AS-59051-01A
5		Indoor Coil Base Pan	AS-58910-05	AS-58910-06
6		Condenser Bulkhead (Does not include Limit Baffle or Tube Support Angles)	AS-59126-02	AS-59126-02
		Shield (Covers opening on the Condenser Bulkhead Assembly)	AS-59152-01	AS-59152-01
8		Blower Bulkhead (Does not include Tube Support Angle, Blower Extension, or Insulation Retainer)	AS-59129-01	AS-59129-01
9		Blower Extension - Front	AE-58928-01	AE-58928-01
10		Blower Extension - Back	AE-58928-02	AE-58928-02
		Cover Plate (On the Blower Extension - Front to cover the Limit Control opening)	AE-76216-01	AE-76216-01
		Insulation Retainer	AE-59059-01	AE-59059-01
12		Wire Chase Insulation Assembly	AS-58927-01	AS-58927-01
13		Corner Post (2)	AE-58965-01	AE-58965-01
15		Louvered Panel	AS-59028-01A	AS-59028-01A
16		Louvered Panel	AS-59028-03A	AS-59028-03A
17		Louvered Panel	AS-59028-02A	AS-59028-02A
18		Supply/Return Cover Panels	AS-58992-01A	AS-58992-01
19		Rear Panel (Includes Insulation, Filler Panel, and Stripping)	AS-58976-01A	AS-58976-02
20		Return Air Filler	AE-58974-01	AE-58974-02
		Rear Panel Stripping - Cut Length	AE-58897-10	AE-58897-26
21		Blower/Filter Access Panels (2)	AS-58990-01A	AS-58990-01A
22		Post - Left End Assembly	AS-58973-01A	AS-58973-01A
23		Front Panel Insulation Assembly	AS-59132-01A	AS-59132-05
24		Electric Heat Access Panel	AS-59121-02A	AS-59121-02A
25		Compressor Access Panel	AE-58983-04	AE-58983-04
26		Power Entry Panel	AE-58968-03	AE-58968-03
27		Front Post	AE-58967-01	AE-58967-01
28		Indoor Coil Top Panel Assembly	AS-58979-01A	AS-58979-02
29		Condenser Top Panel	AS-58982-01A	AS-58982-01A
31		Wire Grille	95-101660-01	95-101660-01
33		Control Box (w/o components)	AS-59039-01	AS-59039-01
		Filter - Disposable	See Coil Group	See Coil Group

No.	Notes	MODEL TECHNICAL VARIATION COOLING CAPACITY ELECTRICAL DESIGNATION	RJNL- A 036 C	RJNL- A 036 D	RJNL- A 036 J
ELECTRICAL GROUP					
		CONTROL BOX COMPONENTS (Items 35,36, 38-46):			
35a		Capacitor (Dual Round - Compressor/Fan)	See Compressor Group		
35b		Capacitor (Fan Only)	See Fan Group		
36		Capacitor Adapter Plate	See Fan Group		
38	Stk,1	Defrost Control (Includes Ambient and Defrost Sensors) - Before F3910	47-21517-18	47-21517-18	47-21517-18
38	Stk,1	Defrost Control (Includes Ambient and Defrost Sensors) - After F3910	47-102685-05	47-102685-05	47-102685-05
39		Blower Relay	42-101208-01	42-21571-04	42-101208-01
40	Stk	Defrost Relay	N/A	42-19736-04	N/A
		Accessory Relay	42-19736-05	42-19736-05	42-19736-05
41	Stk	Blower Time Delay Relay	42-21593-03	42-21593-03	42-21593-03
42		Blower Contactor - Belt Drive	42-22464-01	42-22464-01	N/A
43		Compressor Time Delay Relay	See Accessories		
44	Stk	Compressor Contactor	42-22464-01	42-22464-01	42-42728-03
45	Stk	Control Transformer	46-23600-01	46-23600-02	46-23600-01
46		Terminal Strip	45-23591-01	45-23591-01	45-23591-01
		Low Ambient Control	See Accessories		
48	Stk	High Pressure Control - Before F3910	47-23699-04	47-23699-04	47-23699-04
48	Stk	High Pressure Control - After F3910	47-102290-01	47-102290-01	47-102290-01
	Stk	Low Pressure Control - After F3910	47-102240-02	47-102240-02	47-102240-02

No.	Notes	MODEL TECHNICAL VARIATION COOLING CAPACITY ELECTRICAL DESIGNATION	RJNL- A 042 C	RJNL- A 042 D	RJNL- A 042 J
ELECTRICAL GROUP					
		CONTROL BOX COMPONENTS (Items 35,36, 38-46):			
35a		Capacitor - Compressor/Fan	See Compressor Group		
35b		Capacitor - Fan Only	See Fan Group		
36		Capacitor Adapter Plate	See Fan Group		
38	Stk,1	Defrost Control (Includes Ambient and Defrost Sensors) - Before F3910	47-21517-18	47-21517-18	47-21517-18
38	Stk,1	Defrost Control (Includes Ambient and Defrost Sensors) - After F3910	47-102685-05	47-102685-05	47-102685-05
39		Blower Relay	42-101208-01	42-21571-04	42-101208-01
40	Stk	Defrost Relay	N/A	42-19736-04	N/A
		Accessory Relay	42-19736-05	42-19736-05	42-19736-05
41	Stk	Blower Time Delay Relay	42-21593-03	42-21593-03	42-21593-03
42		Blower Contactor - Belt Drive	42-22464-01	42-22464-01	N/A
43		Compressor Time Delay Relay	See Accessories		
44	Stk	Compressor Contactor	42-22464-01	42-22464-01	42-42728-03
45	Stk	Control Transformer	46-23600-01	46-23600-02	46-23600-01
46		Terminal Strip	45-23591-01	45-23591-01	45-23591-01
		Low Ambient Control	See Accessories		
48	Stk	High Pressure Control - Before F3910	47-23699-04	47-23699-04	47-23699-04
48	Stk	High Pressure Control - After F3910	47-102290-01	47-102290-01	47-102290-01
	Stk	Low Pressure Control - After F3910	47-102240-02	47-102240-02	47-102240-02

No.	Notes	MODEL TECHNICAL VARIATION COOLING CAPACITY ELECTRICAL DESIGNATION	RJNL- A 048 C	RJNL- A 048 D	RJNL- A 048 J
ELECTRICAL GROUP					
		CONTROL BOX COMPONENTS (Items 35,36, 38-46):			
35a		Capacitor (Dual Round - Compressor/Fan)	See Compressor Group		
35b		Capacitor (Fan Only)	See Fan Group		
36		Capacitor Adapter Plate	See Fan Group		
38	Stk,1	Defrost Control (Includes Ambient and Defrost Sensors) - Before F3910	47-21517-18	47-21517-18	47-21517-18
38	Stk,1	Defrost Control (Includes Ambient and Defrost Sensors) - After F3910	47-102685-05	47-102685-05	47-102685-05
39		Blower Relay	42-101208-01	42-21571-04	42-101208-01
40	Stk	Defrost Relay	N/A	42-19736-04	N/A
		Accessory Relay	42-19736-05	42-19736-05	42-19736-05
41	Stk	Blower Time Delay Relay	42-21593-03	42-21593-03	42-21593-03
42		Blower Contactor - Belt Drive	42-22464-01	42-22464-01	N/A
43		Compressor Time Delay Relay	See Accessories		
44	Stk	Compressor Contactor	42-22464-01	42-22464-01	42-42478-02
45	Stk	Control Transformer	46-23600-01	46-23600-02	46-23600-01
46		Terminal Strip	45-23591-01	45-23591-01	45-23591-01
		Low Ambient Control	See Accessories		
48	Stk	High Pressure Control - Before F3910	47-23699-04	47-23699-04	47-23699-04
48	Stk	High Pressure Control - After F3910	47-102290-01	47-102290-01	47-102290-01
	Stk	Low Pressure Control - After F3910	47-102240-02	47-102240-02	47-102240-02

No.	Notes	MODEL TECHNICAL VARIATION COOLING CAPACITY ELECTRICAL DESIGNATION	RJNL- A 060 C	RJNL- A 060 D	RJNL- A 060 J
ELECTRICAL GROUP					
		CONTROL BOX COMPONENTS (Items 35,36, 38-46):			
35a		Capacitor (Dual Round - Compressor/Fan)	See Compressor Group		
35b		Capacitor (Fan Only)	See Fan Group		
36		Capacitor Adapter Plate	See Fan Group		
38	Stk,1	Defrost Control (Includes Ambient and Defrost Sensors) - Before F3910	47-21517-18	47-21517-18	47-21517-18
38	Stk,1	Defrost Control (Includes Ambient and Defrost Sensors) - After F3910	47-102685-05	47-102685-05	47-102685-05
39		Blower Relay	42-101208-01	42-21571-04	N/A
40	Stk	Defrost Relay	N/A	42-19736-04	N/A
		Accessory Relay	42-19736-05	42-19736-05	42-19736-05
41	Stk	Blower Time Delay Relay	42-21593-03	42-21593-03	N/A
42		Blower Contactor - Belt Drive	42-22464-01	42-22464-01	N/A
43		Compressor Time Delay Relay	See Accessories		
44	Stk	Compressor Contactor	42-22464-01	42-22464-01	42-42478-02
45	Stk	Control Transformer	46-23600-01	46-23600-02	46-23600-01
46		Terminal Strip	45-23591-01	45-23591-01	45-23591-01
		Low Ambient Control	See Accessories		
48	Stk	High Pressure Control - Before F3910	47-23699-04	47-23699-04	47-23699-04
48	Stk	High Pressure Control - After F3910	47-102290-01	47-102290-01	47-102290-01
	Stk	Low Pressure Control - After F3910	47-102240-02	47-102240-02	47-102240-02

No.	Notes	MODEL TECHNICAL VARIATION COOLING CAPACITY ELECTRICAL DESIGNATION	RJNL- A 072 C	RJNL- A 072 D	RJNL- A 072 Y
ELECTRICAL GROUP					
		CONTROL BOX COMPONENTS (Items 35,36, 38-46):			
35a		Capacitor (Dual Round - Compressor/Fan)		See Compressor Group	
35b		Capacitor (Fan Only)		See Fan Group	
36		Capacitor Adapter Plate		See Fan Group	
38	Stk	Defrost Control Board (Includes Ambient and Defrost Sensors)	47-102684-02	47-102684-02	47-102684-02
39	Stk	Blower Relay	42-101208-01	42-101208-01	42-101208-01
40	Stk	Defrost Relay	N/A	42-19736-04	42-19736-04
		Accessory Relay	42-19736-05	42-19736-05	42-19736-05
41	Stk	Blower Time Delay Relay	N/A	N/A	N/A
42		Blower Contactor - Belt Drive	42-102664-08	42-102664-08	42-102664-08
43		Compressor Time Delay Relay		See Accessories	
44	Stk	Compressor Contactor	42-102664-08	42-102664-08	42-102664-08
45	Stk	Control Transformer	46-23600-01	46-23600-02	46-23600-02
46		Terminal Strip	45-23591-01	45-23591-01	45-23591-01
	Stk	Low Pressure Control	47-102240-04	47-102240-04	47-102240-04
48	Stk	High Pressure Control	47-102290-01	47-102290-01	47-102290-01

No.	Notes	MODEL TECHNICAL VARIATION COOLING CAPACITY ELECTRICAL DESIGNATION	RJNL- A 036 C	RJNL- A 036 D	RJNL- A 036 J
FAN GROUP					
34	Stk	Fan Motor	51-100998-05	51-100998-07	51-100998-05
35b	Stk	Capacitor - Fan Motor	43-100496-04	43-100496-04	See Compressor Group
36		Capacitor Adapter Plate	AE-54609-02	AE-54609-02	AE-54609-01
37	Stk	Fan Blade	70-23594-01	70-23594-01	70-23594-01

No.	Notes	MODEL TECHNICAL VARIATION COOLING CAPACITY ELECTRICAL DESIGNATION	RJNL- A 042 C	RJNL- A 042 D	RJNL- A 042 J
FAN GROUP					
34	Stk	Fan Motor	51-100998-05	51-100998-07	51-100998-05
35b	Stk	Capacitor - Fan Motor	43-100496-04	43-100496-04	See Compressor Group
36		Capacitor Adapter Plate	AE-54609-02	AE-54609-02	AE-54609-01
37	Stk	Fan Blade	70-23594-01	70-23594-01	70-23594-01

No.	Notes	MODEL TECHNICAL VARIATION COOLING CAPACITY ELECTRICAL DESIGNATION	RJNL- A 048 C	RJNL- A 048 D	RJNL- A 048 J
FAN GROUP					
34	Stk	Fan Motor	51-100998-05	51-100998-07	51-100998-05
35b	Stk	Capacitor - Fan Motor	43-100496-04	43-100496-04	See Compressor Group
36		Capacitor Adapter Plate	AE-54609-02	AE-54609-02	AE-54609-01
37	Stk	Fan Blade	70-23594-01	70-23594-01	70-23594-01

No.	Notes	MODEL TECHNICAL VARIATION COOLING CAPACITY ELECTRICAL DESIGNATION	RJNL- A 060 C	RJNL- A 060 D	RJNL- A 060 J
FAN GROUP					
34	Stk	Fan Motor	51-100998-13	51-100998-12	51-100998-13
35b	Stk	Capacitor - Fan Motor	43-100496-12	43-100496-12	See Compressor Group
36		Capacitor Adapter Plate	AE-54609-02	AE-54609-02	AE-54609-01
37	Stk	Fan Blade	70-42484-01	70-42484-01	70-42484-01

No.	Notes	MODEL TECHNICAL VARIATION COOLING CAPACITY ELECTRICAL DESIGNATION	RJNL- A 072 C	RJNL- A 072 D	RJNL- A 072 Y
FAN GROUP					
34	Stk	Fan Motor	51-100998-25	51-100998-20	51-100998-28
35b	Stk	Capacitor - Fan Motor	43-100496-12	43-100496-11	43-100496-11
36		Capacitor Adapter Plate	AE-54609-02	AE-54609-02	AE-54609-02
37	Stk	Fan Blade	70-100580-09	70-100580-09	70-100580-09

No.	Notes	MODEL TECHNICAL VARIATION COOLING CAPACITY ELECTRICAL DESIGNATION DRIVE PACKAGE	RJNL- A 036 C K	RJNL- A 036 D K	RJNL- A 036 J K	RJNL- A 042 C K
BLOWER GROUP - DIRECT DRIVE						
50	Stk	Blower Assembly (Items 51-58)	AS-59050-03	AS-59050-09	AS-59050-03	AS-59050-03
51		Housing	AS-58944-01	AS-58944-01	AS-58944-01	AS-58944-01
52	Stk	Wheel	70-23110-30	70-23110-30	70-23110-30	70-23110-30
53		Cut-Off Tabulation	AE-64401-05	AE-64401-05	AE-64401-05	AE-64401-05
54	Stk	Blower Motor	51-23679-01	51-23679-02	51-23679-01	51-23679-01
55	Stk	Capacitor - Blower Motor	43-100496-12	43-100496-12	43-100496-12	43-100496-12
56		Motor Band	70-19927-01	70-19927-01	70-19927-01	70-19927-01
57		Motor Mounting Arm (3)	70-19929-02	70-19929-02	70-19929-02	70-19929-02
58		Blower Support - (Left Side)	AE-58950-02	AE-58950-02	AE-58950-02	AE-58950-02
		Blower Support - (Motor Side)	AE-59060-01	AE-59060-01	AE-59060-01	AE-59060-01

No.	Notes	MODEL TECHNICAL VARIATION COOLING CAPACITY ELECTRICAL DESIGNATION DRIVE PACKAGE	RJNL- A 042 D K	RJNL- A 042 J K	RJNL- A 048 C K	RJNL- A 048 D K
BLOWER GROUP - DIRECT DRIVE						
50	Stk	Blower Assembly (Items 51-58)	AS-59050-09	AS-59050-03	AS-59050-03	AS-59050-09
51		Housing	AS-58944-01	AS-58944-01	AS-58944-01	AS-58944-01
52	Stk	Wheel	70-23110-30	70-23110-30	70-23110-30	70-23110-30
53		Cut-Off Tabulation	AE-64401-05	AE-64401-05	AE-64401-05	AE-64401-05
54	Stk	Blower Motor	51-23679-02	51-23679-01	51-23679-01	51-23679-02
55	Stk	Capacitor - Blower Motor	43-100496-12	43-100496-12	43-100496-12	43-100496-12
56		Motor Band	70-19927-01	70-19927-01	70-19927-01	70-19927-01
57		Motor Mounting Arm (3)	70-19929-02	70-19929-02	70-19929-02	70-19929-02
58		Blower Support - (Left Side)	AE-58950-02	AE-58950-02	AE-58950-02	AE-58950-02
		Blower Support - (Motor Side)	AE-59060-01	AE-59060-01	AE-59060-01	AE-59060-01

No.	Notes	MODEL TECHNICAL VARIATION COOLING CAPACITY ELECTRICAL DESIGNATION DRIVE PACKAGE	RJNL- A 048 J K	RJNL- A 060 C K	RJNL- A 060 D K	RJNL- A 060 J K
BLOWER GROUP - DIRECT DRIVE						
50	Stk	Blower Assembly (Items 51-58)	AS-59050-03	AS-59050-14	AS-59050-27	AS-59050-14
51		Housing	AS-58944-01	AS-101342-02	AS-101342-02	AS-101342-02
52	Stk	Wheel	70-23110-30	70-23111-29	70-23111-29	70-23111-29
53		Cut-Off Tabulation	AE-64401-05	AE-64401-23	AE-64401-23	AE-64401-23
54	Stk	Blower Motor	51-23679-01	51-101984-02	51-103624-02	51-101984-02
55	Stk	Capacitor - Blower Motor	43-100496-12	N/A	N/A	N/A
56		Motor Band	70-19927-01	70-19927-03	70-19927-03	70-19927-03
57		Motor Mounting Arm (3)	70-19929-02	70-19929-09	70-19929-09	70-19929-09
58		Blower Support - (Left Side)	AE-58950-02	AE-58950-04	AE-58950-04	AE-58950-04
		Blower Support - (Motor Side)	AE-59060-01	AE-59060-01	AE-59060-01	AE-59060-01

No.	Notes	MODEL TECHNICAL VARIATION COOLING CAPACITY ELECTRICAL DESIGNATION DRIVE PACKAGE	RJNL-	RJNL-	RJNL-	RJNL-
			A 036 C L	A 036 C M	A 036 D L	A 036 D M
BLOWER ASSEMBLY - BELT DRIVE						
59	Stk	Blower Assembly (Items 60-63, 65-70 excluding item 69b)	AS-101336-01	AS-101336-05	AS-101336-01	AS-101336-05
60		Housing	AS-101341-01	AS-101341-01	AS-101341-01	AS-101341-01
61	Stk	Bearing Frame Tri-Arm (2)	70-41723-03	70-41723-03	70-41723-03	70-41723-03
62	Stk	Ball Bearing and Cushion (2)	70-41911-01	70-41911-01	70-41911-01	70-41911-01
63	Stk	Blower Shaft	70-21933-02	70-21933-02	70-21933-02	70-21933-02
64	Stk	Fixed Pitch Sheave	71-21932-04	71-21932-03	71-21932-04	71-21932-03
65		Blower Support - Left	AE-58950-02	AE-58950-02	AE-58950-02	AE-58950-02
66	Stk	Wheel	70-23589-01	70-23589-01	70-23589-01	70-23589-01
67		Cut-Off Tabulation	AE-64401-05	AE-64401-05	AE-64401-05	AE-64401-05
71		Motor	See Blower Motor Group - Belt Drive			
72		Variable Pitch Sheave	See Blower Motor Group - Belt Drive			
73		Belt	See Blower Motor Group - Belt Drive			

No.	Notes	MODEL TECHNICAL VARIATION COOLING CAPACITY ELECTRICAL DESIGNATION DRIVE PACKAGE	RJNL-	RJNL-	RJNL-	RJNL-
			A 042 C L	A 042 C M	A 042 D L	A 042 D M
BLOWER ASSEMBLY - BELT DRIVE						
59	Stk	Blower Assembly (Items 60-63, 65-70 excluding item 69b)	AS-101336-01	AS-101336-05	AS-101336-01	AS-101336-05
60		Housing	AS-101341-01	AS-101341-01	AS-101341-01	AS-101341-01
61	Stk	Bearing Frame Tri-Arm (2)	70-41723-03	70-41723-03	70-41723-03	70-41723-03
62	Stk	Ball Bearing and Cushion (2)	70-41911-01	70-41911-01	70-41911-01	70-41911-01
63	Stk	Blower Shaft	70-21933-02	70-21933-02	70-21933-02	70-21933-02
64	Stk	Fixed Pitch Sheave	71-21932-04	71-21932-03	71-21932-04	71-21932-03
65		Blower Support - Left	AE-58950-02	AE-58950-02	AE-58950-02	AE-58950-02
66	Stk	Wheel	70-23589-01	70-23589-01	70-23589-01	70-23589-01
67		Cut-Off Tabulation	AE-64401-05	AE-64401-05	AE-64401-05	AE-64401-05
71		Motor	See Blower Motor Group - Belt Drive			
72		Variable Pitch Sheave	See Blower Motor Group - Belt Drive			
73		Belt	See Blower Motor Group - Belt Drive			

No.	Notes	MODEL TECHNICAL VARIATION COOLING CAPACITY ELECTRICAL DESIGNATION DRIVE PACKAGE	RJNL-	RJNL-	RJNL-	RJNL-
			A 048 C L	A 048 C M	A 048 D L	A 048 D M
BLOWER ASSEMBLY - BELT DRIVE						
59	Stk	Blower Assembly (Items 60-63, 65-70 excluding item 69b)	AS-101336-01	AS-101336-05	AS-101336-01	AS-101336-05
60		Housing	AS-101341-01	AS-101341-01	AS-101341-01	AS-101341-01
61	Stk	Bearing Frame Tri-Arm (2)	70-41723-03	70-41723-03	70-41723-03	70-41723-03
62	Stk	Ball Bearing and Cushion (2)	70-41911-01	70-41911-01	70-41911-01	70-41911-01
63	Stk	Blower Shaft	70-21933-02	70-21933-02	70-21933-02	70-21933-02
64	Stk	Fixed Pitch Sheave	71-21932-04	71-21932-03	71-21932-04	71-21932-03
65		Blower Support - Left	AE-58950-02	AE-58950-02	AE-58950-02	AE-58950-02
66	Stk	Wheel	70-23589-01	70-23589-01	70-23589-01	70-23589-01
67		Cut-Off Tabulation	AE-64401-05	AE-64401-05	AE-64401-05	AE-64401-05
71		Motor	See Blower Motor Group - Belt Drive			
72		Variable Pitch Sheave	See Blower Motor Group - Belt Drive			
73		Belt	See Blower Motor Group - Belt Drive			

No.	Notes	MODEL TECHNICAL VARIATION COOLING CAPACITY ELECTRICAL DESIGNATION DRIVE PACKAGE	RJNL-	RJNL-	RJNL-	RJNL-
			A 060 C L	A 060 C M	A 060 D L	A 060 D M
BLOWER ASSEMBLY - BELT DRIVE						
59	Stk	Blower Assembly (Items 60-63, 65-70 excluding item 69b)	AS-101336-05	AS-101336-05	AS-101336-05	AS-101336-05
60		Housing	AS-101341-01	AS-101341-01	AS-101341-01	AS-101341-01
61	Stk	Bearing Frame Tri-Arm (2)	70-41723-03	70-41723-03	70-41723-03	70-41723-03
62	Stk	Ball Bearing and Cushion (2)	70-41911-01	70-41911-01	70-41911-01	70-41911-01
63	Stk	Blower Shaft	70-21933-02	70-21933-02	70-21933-02	70-21933-02
64	Stk	Fixed Pitch Sheave	71-21932-03	71-21932-03	71-21932-03	71-21932-03
65		Blower Support - Left	AE-58950-02	AE-58950-02	AE-58950-02	AE-58950-02
66	Stk	Wheel	70-23589-01	70-23589-01	70-23589-01	70-23589-01
67		Cut-Off Tabulation	AE-64401-05	AE-64401-05	AE-64401-05	AE-64401-05
71		Motor	See Blower Motor Group - Belt Drive			
72		Variable Pitch Sheave	See Blower Motor Group - Belt Drive			
73		Belt	See Blower Motor Group - Belt Drive			

No.	Notes	MODEL TECHNICAL VARIATION COOLING CAPACITY ELECTRICAL DESIGNATION DRIVE PACKAGE	RJNL-	RJNL-	RJNL-	RJNL-
			A 072 C L	A 072 C M	A 072 D L	A 072 D M
BLOWER ASSEMBLY - BELT DRIVE						
59	Stk	Blower Assembly (Items 60-63, 65-70 excluding item 69b)	AS-101336-03	AS-101336-03	AS-101336-03	AS-101336-03
60		Housing	AS-101342-01	AS-101342-01	AS-101342-01	AS-101342-01
61	Stk	Bearing Frame Tri-Arm (2)	70-41723-02	70-41723-02	70-41723-02	70-41723-02
62	Stk	Ball Bearing and Cushion (2)	70-41911-01	70-41911-01	70-41911-01	70-41911-01
63	Stk	Blower Shaft	70-21933-02	70-21933-02	70-21933-02	70-21933-02
64	Stk	Fixed Pitch Sheave	71-100772-03	71-100772-03	71-100772-03	71-100772-03
65		Blower Support - Left	AE-58950-03	AE-58950-03	AE-58950-03	AE-58950-03
66	Stk	Wheel	70-21773-01	70-21773-01	70-21773-01	70-21773-01
67		Cut-Off Tabulation	AE-64401-18	AE-64401-18	AE-64401-18	AE-64401-18
71		Motor	See Blower Motor Group - Belt Drive			
72		Variable Pitch Sheave	See Blower Motor Group - Belt Drive			
73		Belt	See Blower Motor Group - Belt Drive			

No.	Notes	MODEL TECHNICAL VARIATION COOLING CAPACITY ELECTRICAL DESIGNATION DRIVE PACKAGE	RJNL-			
			A 072 Y L			
BLOWER ASSEMBLY - BELT DRIVE						
59	Stk	Blower Assembly (Items 60-63, 65-70 excluding item 69b)	AS-101336-03			
60		Housing	AS-101342-01			
61	Stk	Bearing Frame Tri-Arm (2)	70-41723-02			
62	Stk	Ball Bearing and Cushion (2)	70-41911-01			
63	Stk	Blower Shaft	70-21933-02			
64	Stk	Fixed Pitch Sheave	71-100772-03			
65		Blower Support - Left	AE-58950-03			
66	Stk	Wheel	70-21773-01			
67		Cut-Off Tabulation	AE-64401-18			
71		Motor	See Blower Motor Group - Belt Drive			
72		Variable Pitch Sheave	See Blower Motor Group - Belt Drive			
73		Belt	See Blower Motor Group - Belt Drive			

No.	Notes	MODEL TECHNICAL VARIATION COOLING CAPACITY ELECTRICAL DESIGNATION DRIVE PACKAGE	RJNL- A 036 C L	RJNL- A 036 C M	RJNL- A 036 D L	RJNL- A 036 D M
BLOWER MOTOR GROUP - BELT DRIVE						
71	Stk	Blower Motor	51-42579-01	51-21909-01	51-42579-01	51-21909-01
72	Stk	Variable Pitch Sheave	71-40427-30	71-40427-25	71-40427-30	71-40427-25
73	Stk	Belt	71-40235-43	71-40235-43	71-40235-43	71-40235-43

No.	Notes	MODEL TECHNICAL VARIATION COOLING CAPACITY ELECTRICAL DESIGNATION DRIVE PACKAGE	RJNL- A 042 C L	RJNL- A 042 C M	RJNL- A 042 D L	RJNL- A 042 D M
BLOWER MOTOR GROUP - BELT DRIVE						
71	Stk	Blower Motor	51-42579-01	51-21909-01	51-42579-01	51-21909-01
72	Stk	Variable Pitch Sheave	71-40427-30	71-40427-25	71-40427-30	71-40427-25
73	Stk	Belt	71-40235-43	71-40235-43	71-40235-43	71-40235-43

No.	Notes	MODEL TECHNICAL VARIATION COOLING CAPACITY ELECTRICAL DESIGNATION DRIVE PACKAGE	RJNL- A 048 C L	RJNL- A 048 C M	RJNL- A 048 D L	RJNL- A 048 D M
BLOWER MOTOR GROUP - BELT DRIVE						
71	Stk	Blower Motor	51-42579-01	51-21909-01	51-42579-01	51-21909-01
72	Stk	Variable Pitch Sheave	71-40427-30	71-40427-25	71-40427-30	71-40427-25
73	Stk	Belt	71-40235-43	71-40235-43	71-40235-43	71-40235-43

No.	Notes	MODEL TECHNICAL VARIATION COOLING CAPACITY ELECTRICAL DESIGNATION DRIVE PACKAGE	RJNL- A 060 C L	RJNL- A 060 C M	RJNL- A 060 D L	RJNL- A 060 D M
BLOWER MOTOR GROUP - BELT DRIVE						
71	Stk	Blower Motor	51-21909-01	51-41936-01	51-21909-01	51-41936-01
72	Stk	Variable Pitch Sheave	71-40427-29	71-40427-25	71-40427-29	71-40427-25
73	Stk	Belt	71-40235-42	71-40235-43	71-40235-42	71-40235-43

No.	Notes	MODEL TECHNICAL VARIATION COOLING CAPACITY ELECTRICAL DESIGNATION DRIVE PACKAGE	RJNL- A 072 C L	RJNL- A 072 C M	RJNL- A 072 D L	RJNL- A 072 D M
BLOWER MOTOR GROUP - BELT DRIVE						
71	Stk	Blower Motor	51-41936-02	51-41936-02	51-41936-02	51-41936-02
72	Stk	Variable Pitch Sheave	71-40427-29	71-40427-25	71-40427-29	71-40427-25
73	Stk	Belt	71-40235-42	71-40235-43	71-40235-42	71-40235-43

No.	Notes	MODEL TECHNICAL VARIATION COOLING CAPACITY ELECTRICAL DESIGNATION DRIVE PACKAGE	RJNL- A 072 Y L			
BLOWER MOTOR GROUP - BELT DRIVE						
71	Stk	Blower Motor	51-42177-10			
72	Stk	Variable Pitch Sheave	71-40427-29			
73	Stk	Belt	71-40235-42			

No.	Notes	MODEL TECHNICAL VARIATION COOLING CAPACITY ELECTRICAL DESIGNATION DRIVE PACKAGE	RJNL- A 036-060 C/D L/M	RJNL- A 072 C/D/Y L/M		
BLOWER MOTOR MOUNTING - BELT DRIVE						
68		Blower Bracket	AE-101124-01	AE-101124-05		
69		Blower Bracket - Drive Side	AE-101124-04	AE-101124-03		
69a		Grommet (Flat)	56-18518-04	56-18518-04		
69b		Cross Brace	AE-101467-01	AE-101467-01		
70		Motor Mount Assembly	AS-101340-01	AS-101340-01		

No.	Notes	MODEL TECHNICAL VARIATION COOLING CAPACITY	RJNL- A 036	RJNL- A 042	RJNL- A 048	RJNL- A 060	RJNL- A 072
COIL GROUP							
EVAPORATOR COIL:							
74	Stk	Evaporator Coil	AS-102377-03	AS-102377-03	AS-102026-03	AS-102026-03	AS-103000-03
	Stk	Distributor Assembly	83-100844-08	83-100844-08	83-100844-09	83-100844-09	83-100844-09
76		Top Air Stop	AE-58933-01	AE-58933-01	AE-58933-01	AE-58933-01	AE-58933-01
77		Top Coil Support	AE-58941-01	AE-58941-01	AE-58941-01	AE-58941-01	AE-58941-01
78	Stk	Indoor Coil Drain Pan	68-23559-01	68-23559-01	68-23559-01	68-23559-01	68-23559-02
		Filter Keeper	AE-59168-01	AE-59168-01	AE-59168-01	AE-59168-01	AE-59168-01
84		Filter Channels (3) - Center is 2 channels back to back	AE-58934-01	AE-58934-01	AE-58934-01	AE-58934-01	AE-58934-03
85		Filter - Disposable 16 x 25 x 1 (2)	54-17531-10	54-17531-10	54-17531-10	54-17531-10	N/A
		Filter - Disposable 16 x 16 x 2 (4)	N/A	N/A	N/A	N/A	54-17531-24
CONDENSER COIL:							
82	Stk	Condenser Coil	AS-102376-03	AS-102376-03	AS-102383-01	AS-102383-01	AS-102383-01
	Stk	Distributor Assembly	83-102378-01	83-102378-01	83-102378-02	83-102378-02	83-102378-02
REFRIGERATION:							
79	Stk	Expansion Valve	61-102213-06	61-102211-18	61-102211-19	61-102211-20	61-102211-19
80	Stk,2	Reversing Valve - See Note 2	61-102498-06	61-102498-06	61-102498-06	61-102498-03	61-101684-03
81	Stk	Solenoid Coil (24V)	61-101713-03	61-101713-03	61-101713-03	61-101713-03	61-101713-01
	Stk	Wiring Harness	61-26149-01	61-26149-01	61-26149-01	61-26149-01	61-26149-01

No.	Notes	MODEL TECHNICAL VARIATION COOLING CAPACITY ELECTRICAL DESIGNATION	RJNL- A 036 C	RJNL- A 036 D	RJNL- A 036 J
COMPRESSOR GROUP					
		Compressor ID:	7628/8420	7629/8421	7630/8422
86	Stk	Compressor	55-102045-05S	55-102045-04S	55-102045-03S
35a	Stk	Capacitor - Fan/Compressor	N/A	N/A	43-26271-41
	Stk	Compressor Wiring Harness (Molded Plug)	45-100834-80	45-100834-80	45-100834-80

No.	Notes	MODEL TECHNICAL VARIATION COOLING CAPACITY ELECTRICAL DESIGNATION	RJNL- A 042 C	RJNL- A 042 D	RJNL- A 042 J
COMPRESSOR GROUP					
		Compressor ID:	7631/8423	7632/8424	7633/8425
86	Stk	Compressor	55-102045-16S	55-102045-25S	55-102045-12S
35a	Stk	Capacitor - Fan/Compressor	N/A	N/A	43-26271-41
	Stk	Compressor Wiring Harness (Molded Plug)	45-100834-80	45-100834-80	45-100834-80

No.	Notes	MODEL TECHNICAL VARIATION COOLING CAPACITY ELECTRICAL DESIGNATION	RJNL- A 048 C	RJNL- A 048 D	RJNL- A 048 J
COMPRESSOR GROUP					
		Compressor ID:	7634/8426	7635/8427	7636/8428
86	Stk	Compressor	55-102045-11S	55-102045-10S	55-102045-09S
35a	Stk	Capacitor - Fan/Compressor	N/A	N/A	43-26261-43
	Stk	Compressor Wiring Harness (Molded Plug)	45-100834-80	45-100834-80	45-100834-80

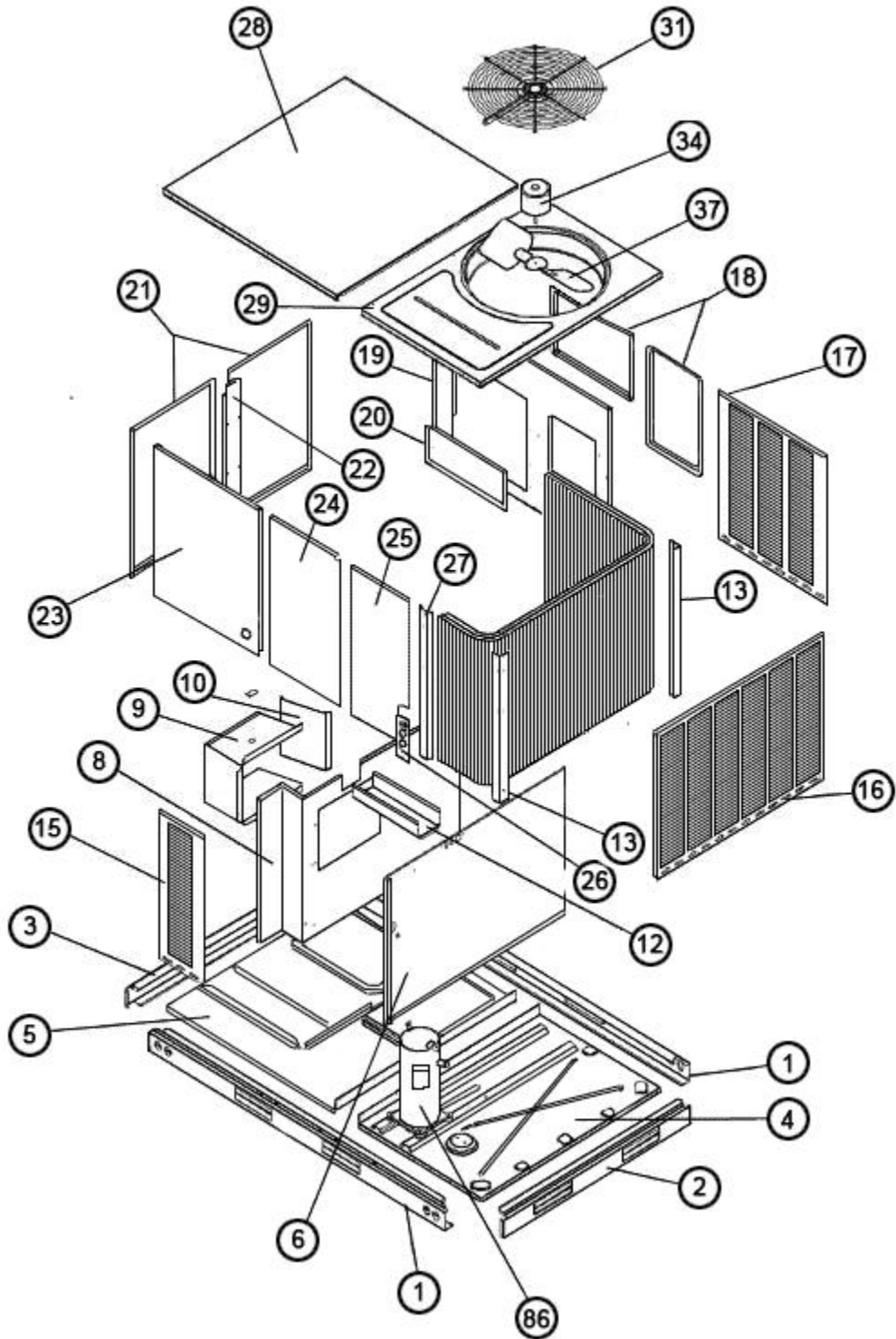
No.	Notes	MODEL TECHNICAL VARIATION COOLING CAPACITY ELECTRICAL DESIGNATION	RJNL- A 060 C	RJNL- A 060 D	RJNL- A 060 J
COMPRESSOR GROUP					
		Compressor ID:	76378429	7638/8430	7639/8431
86	Stk	Compressor	55-102045-27S	55-102045-28S	55-102045-26S
35a	Stk	Capacitor - Fan/Compressor	N/A	N/A	43-26271-47
	Stk	Compressor Wiring Harness (Molded Plug)	45-100834-80	45-100834-80	45-100834-80

No.	Notes	MODEL TECHNICAL VARIATION COOLING CAPACITY ELECTRICAL DESIGNATION	RJNL- A 072 C	RJNL- A 072 D	RJNL- A 072 Y
COMPRESSOR GROUP					
		Compressor ID:	7970	7971	7972
86	Stk	Compressor	55-102471-14S	55-102471-16S	55-102471-15S
35a	Stk	Capacitor - Fan/Compressor	N/A	N/A	N/A
	Stk	Compressor Wiring Harness (Molded Plug)	45-100834-80	45-100834-80	45-100834-80

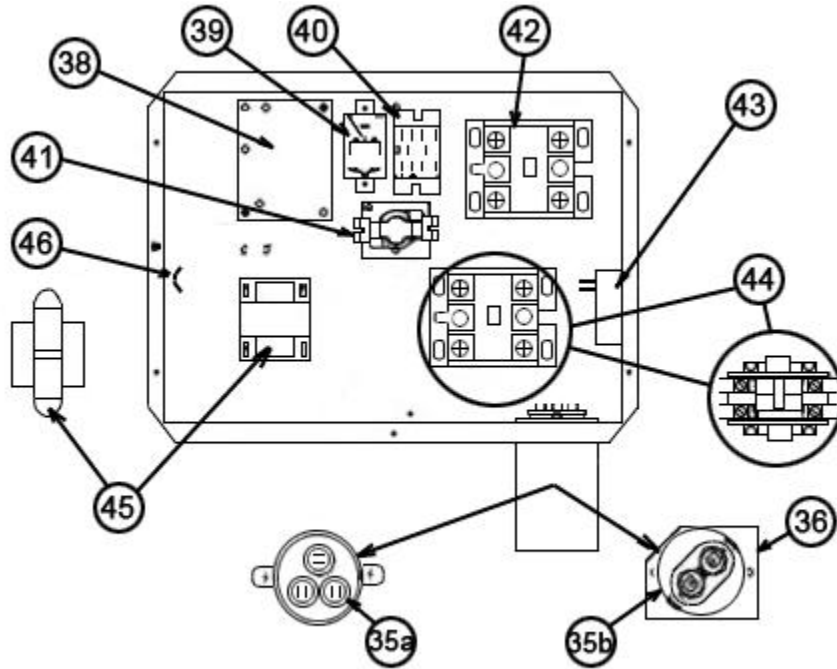
No.	Notes	MODEL TECHNICAL VARIATION COOLING CAPACITY ELECTRICAL DRIVE PACKAGE	RJNL- A 036-060 C K/L/M	RJNL- A 036-060 D K/L/M	RJNL- A 036-060 J K
HEATER KITS					
		Heater Kit	RXJJ-A06C	RXJJ-A06D	RXJJ-A06J
		Heater Kit	RXJJ-A10C	RXJJ-A10D	RXJJ-A10J
		Heater Kit - (Canada Only)	RXJJ-A11C	RXJJ-A11D	RXJJ-A11J
		Heater Kit	RXJJ-A12C	RXJJ-A12D	RXJJ-A12J
		Heater Kit	RXJJ-A15C	RXJJ-A15D	RXJJ-A15J
		Heater Kit	RXJJ-A20C	RXJJ-A20D	RXJJ-A20J
		Heater Kit - (Canada Only)	RXJJ-A21C	RXJJ-A21D	RXJJ-A21J

No.	Notes	MODEL TECHNICAL VARIATION COOLING CAPACITY ELECTRICAL DRIVE PACKAGE	RJNL- A 072 C L/M	RJNL- A 072 D L/M	RJNL- A 072 Y L
HEATER KITS					
		Heater Kit	RXJJ-A15C	RXJJ-A15D	RXJJ-A15Y
		Heater Kit	RXJJ-A20C	RXJJ-A20D	RXJJ-A20Y
		Heater Kit	RXJJ-A24C	RXJJ-A24D	RXJJ-A24Y

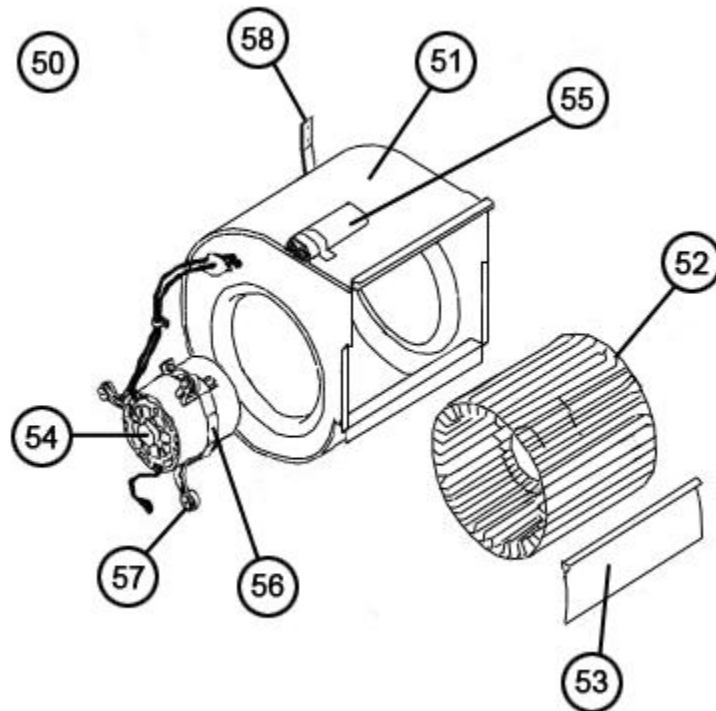
No.	Notes	MODEL TECHNICAL VARIATION COOLING CAPACITY	RJNL- A 036-060	RJNL- A 072	
OPTIONS AND ACCESSORIES					
		Economizer - Fully Modulating with Single Enthalpy (Neutra Green)	RXRD-MECM3	RXRD-MCCM3	
		Economizer - Fully Modulating with Single Enthalpy (Granite/Steel Gray)	AXRD-MECM3	AXRD-MCCM3	
		Dual Enthalpy Kit	RXR-AR02	RXR-AR02	
		CO2 Sensor	RXR-AR02	RXR-AR02	
		Power Exhaust - C Voltage (Neutra Green)	RXR-BGF04C	RXR-BGF03C	
		Power Exhaust - C Voltage (Granite/Steel Gray)	AXR-BGF04C	AXR-BGF03C	
		Power Exhaust - D Voltage (Neutra Green)	RXR-BGF04D	RXR-BGF03D	
		Power Exhaust - D Voltage (Granite/Steel Gray)	AXR-BGF04D	AXR-BGF03D	
		Power Exhaust - Y Voltage (Neutra Green)	RXR-BGF04Y	RXR-BGF03Y	
		Power Exhaust - Y Voltage (Granite/Steel Gray)	AXR-BGF04Y	AXR-BGF03Y	
		Fresh Air Damper Manual (Neutra Green)	RXR-FBA1	RXR-FCA1	
		Fresh Air Damper Manual (Granite/Steel Gray)	AXR-FBA1	AXR-FCA1	
		Fresh Air Damper Motorized (Neutra Green)	RXR-FBB1	RXR-FCB1	
		Fresh Air Damper Motorized (Granite/Steel Gray)	AXR-FBB1	AXR-FCB1	
		Louver Kit - (3 Sides) (Neutra Green)	RXR-AAD01B	RXR-AAD01B	
		Louver Kit - (3 Sides) (Granite/Steel Gray)	AXR-AAD01B	AXR-AAD01B	
		Time Delay	RXMD-B01	N/A	
		Low Ambient Control	RXPZ-G01	RXPZ-G01	



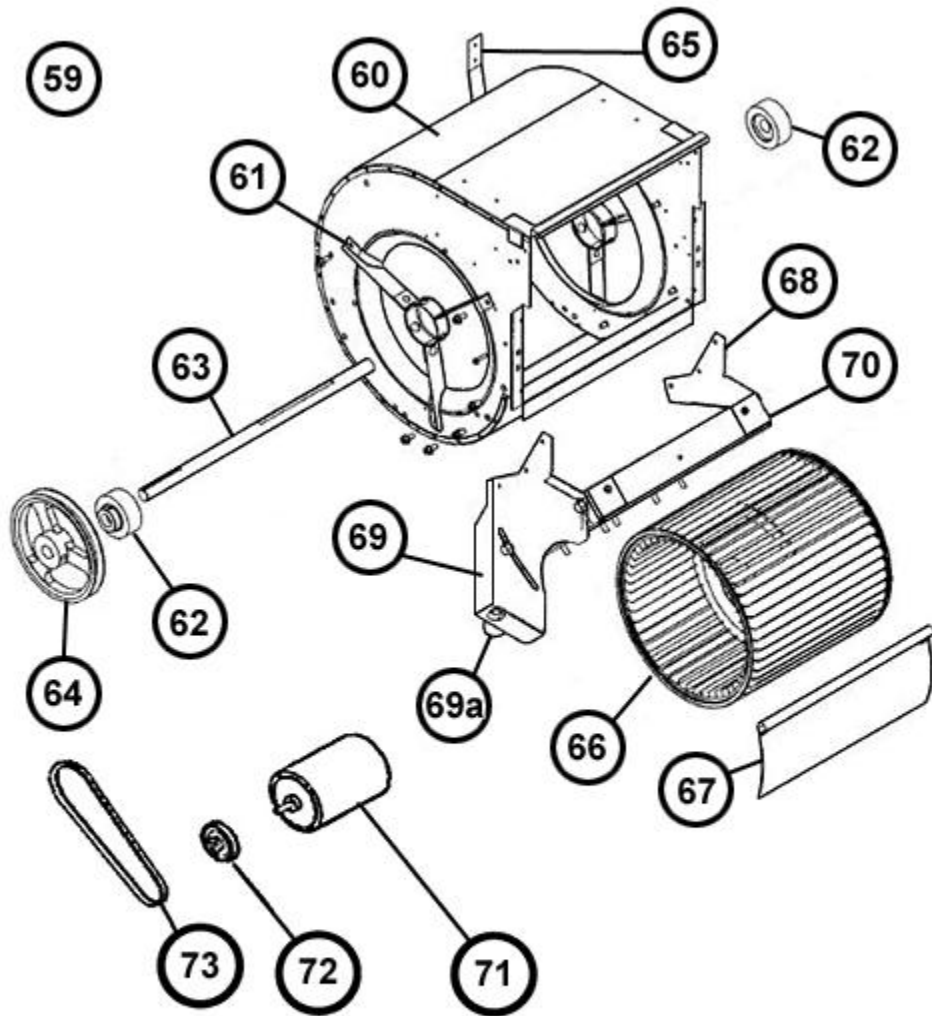
Exploded View



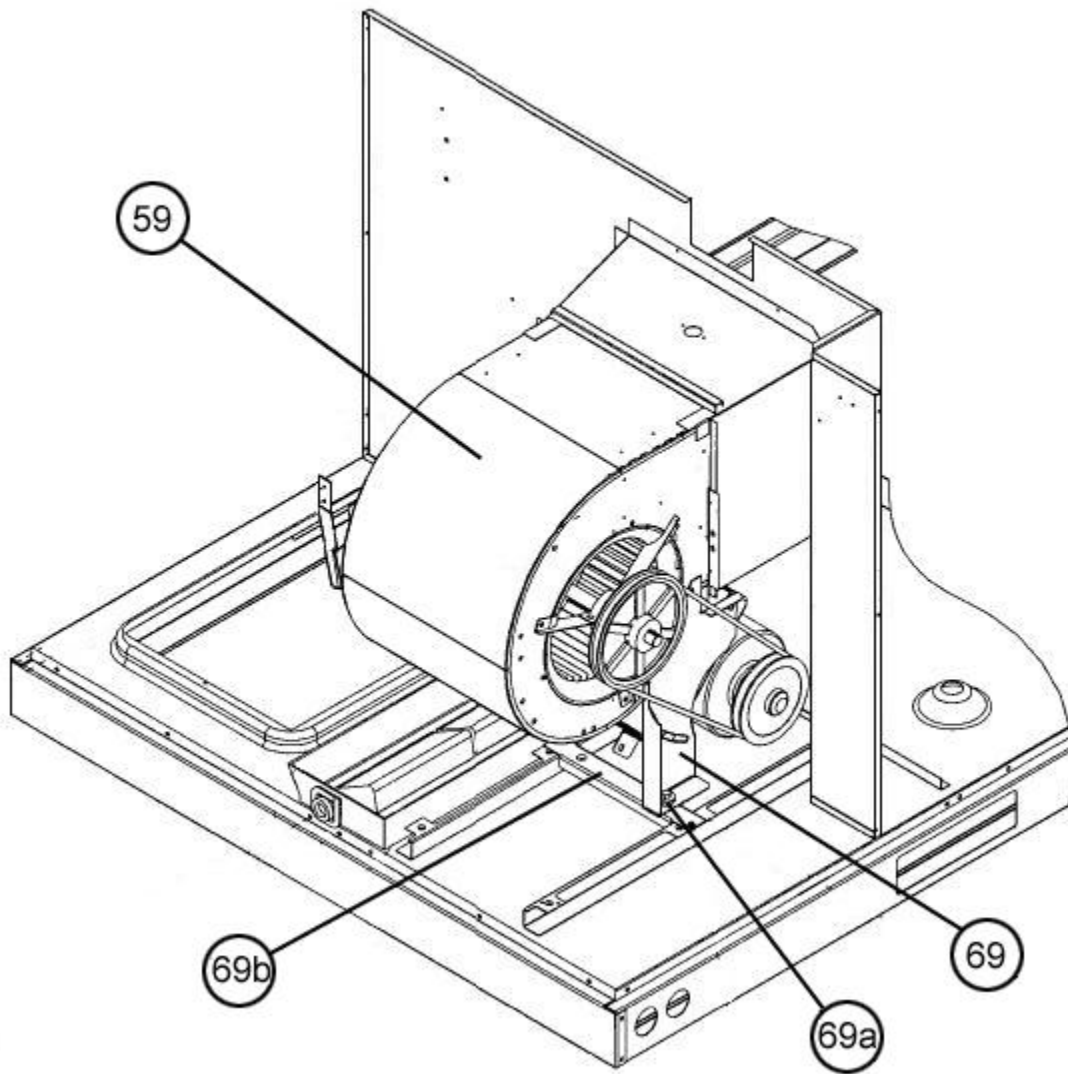
Control Box



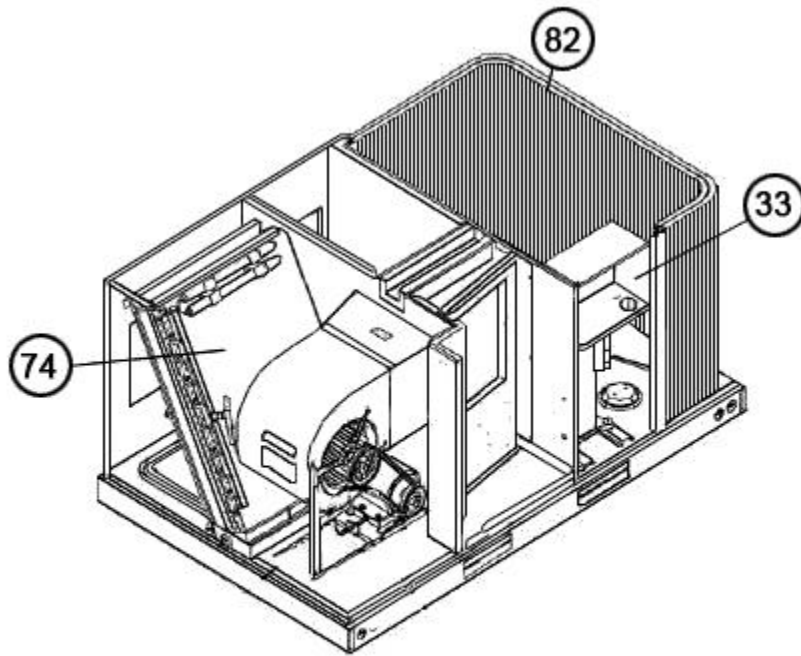
Blower Parts - Direct Drive



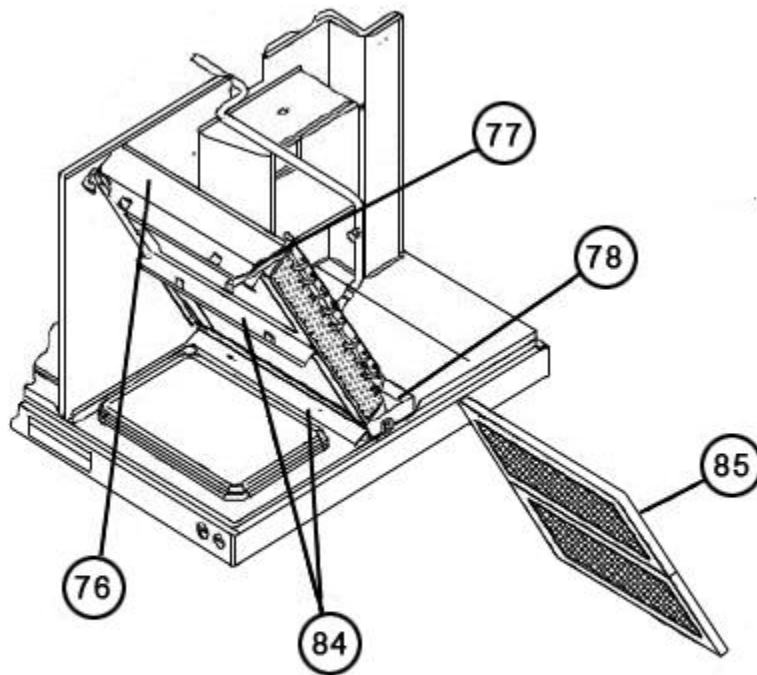
Blower Parts - Belt Drive



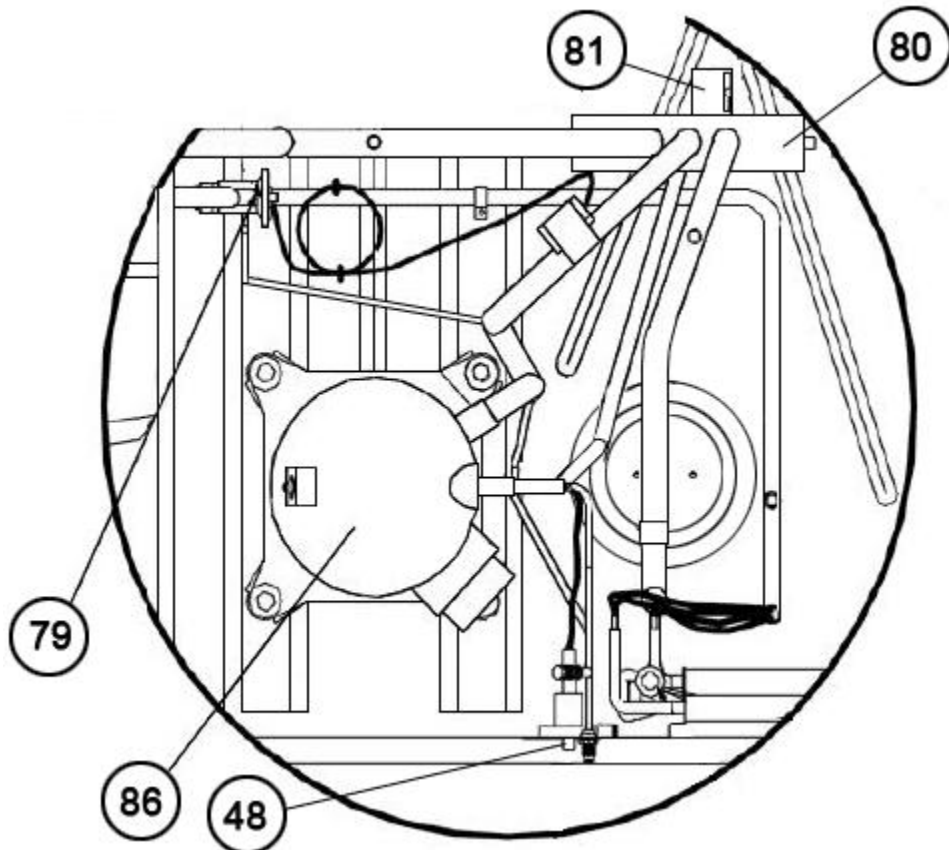
Blower Mounting - Belt Drive



Coil Group Cut-away View



Evaporator Coil - Filter Parts



Compressor - Refrigeration Group

NOTES

Stk It is recommended that stock be maintained for this part.

N/A Not Applicable

1 Defrost Relay is mounted on Defrost Control Board.

2 Reversing Valve may be different than originally supplied with unit. The replacement provides improved shifting performance.

DISCLAIMER: This document is intended to provide general replacement parts information to aid qualified service personnel in the repair of these models. The complete Model and Serial Number of the unit under repair should be specified when selecting and ordering replacement parts. Specifications and illustrations are subject to change without notice. Document 92-42800-RJNL-A supersedes all previous parts lists for these models. See <http://www.rheempartslists.net/92-42800-RJNL-A> for the latest revision of this document. The manufacturer assumes no obligation for errors or omissions. Service personnel must verify the proper and safe operation of equipment after the replacement of any original components.