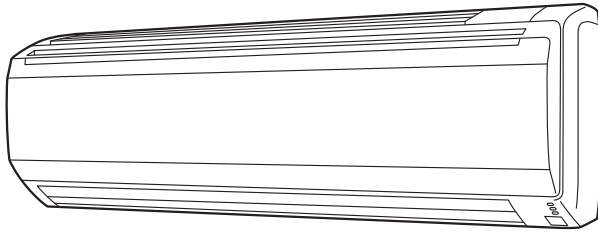


# AIR CONDITIONER INDOOR UNIT (Wall Mounted Type)



For authorized service personnel only.

- Installation must be performed in accordance with the requirement of NEC and CEC by authorized personnel only.
- All products are manufactured to metric units and tolerances. United States customary units are provided for reference only. In cases where exact dimensions and tolerances are required, always refer to metric units.



## 1. SAFETY PRECAUTIONS

### 1.1. IMPORTANT! Please read before starting

This air conditioning system meets strict safety and operating standards. As the installer or service person, it is an important part of your job to install or service the system so it operates safely and efficiently.

#### For safe installation and trouble-free operation, you must:

- Carefully read this instruction booklet before beginning.
- Follow each installation or repair step exactly as shown.
- Observe all local, state, and national electrical codes.
- Pay close attention to all warning and caution notices given in this manual.

 <b>WARNING</b>	This symbol refers to a hazard or unsafe practice which can result in severe personal injury or death.
 <b>CAUTION</b>	This symbol refers to a hazard or unsafe practice which can result in personal injury and the potential for product or property damage.

- Hazard alerting symbols



Electrical



Safety/alert

#### If Necessary, Get Help

These instructions are all you need for most installation sites and maintenance conditions. If you require help for a special problem, contact our sales/service outlet or your certified dealer for additional instructions.

#### In Case of Improper Installation

The manufacturer shall in no way be responsible for improper installation or maintenance service, including failure to follow the instructions in this document.

### 1.2. Special precautions

#### When Wiring

ELECTRICAL SHOCK CAN CAUSE SEVERE PERSONAL INJURY OR DEATH. ONLY A QUALIFIED, EXPERIENCED ELECTRICIAN SHOULD ATTEMPT TO WIRE THIS SYSTEM.

- Do not supply power to the unit until all wiring and tubing are completed or reconnected and checked.
- Highly dangerous electrical voltages are used in this system. Carefully refer to the wiring diagram and these instructions when wiring. Improper connections and inadequate earthing (grounding) can cause accidental injury or death.
- Earth (Ground) the unit following local electrical codes.
- Connect all wiring tightly. Loose wiring may cause overheating at connection points and a possible fire hazard.

#### When Transporting

Be careful when picking up and moving the indoor and outdoor units. Get a partner to help, and bend your knees when lifting to reduce strain on your back. Sharp edges or thin aluminum fins on the air conditioner can cut your fingers.

# INSTALLATION MANUAL



PART No. 9318739237

## Contents

1. SAFETY PRECAUTIONS.....	1
2. ABOUT THIS PRODUCT.....	2
3. GENERAL SPECIFICATIONS.....	3
4. SELECTING THE INSTALLATION LOCATION.....	3
5. INSTALLATION WORK.....	3
6. ELECTRICAL WIRING.....	5
7. FINISHING.....	6
8. FRONT PANEL REMOVAL AND INSTALLATION.....	7
9. REMOTE CONTROLLER INSTALLATION.....	7
10. OPTIONAL KIT INSTALLATION.....	8
11. FUNCTION SETTING.....	9
12. TEST RUN.....	11
13. CUSTOMER GUIDANCE.....	11
14. ERROR CODES.....	12

#### When Installing...

##### ...In a Ceiling or Wall

Make sure the ceiling/wall is strong enough to hold the unit's weight. It may be necessary to construct a strong wood or metal frame to provide added support.

##### ...In a Room

Properly insulate any tubing run inside a room to prevent "sweating" that can cause dripping and water damage to walls and floors.

##### ...In an Area with High Winds

Securely anchor the outdoor unit down with bolts and a metal frame. Provide a suitable air baffle.

##### ...In a Snowy Area (for Heat Pump-type Systems)

Install the outdoor unit on a raised platform that is higher than drifting snow.

#### When Connecting Refrigerant Tubing

- Keep all tubing runs as short as possible.
- Use the flare method for connecting tubing.
- Apply refrigerant lubricant to the matching surfaces of the flare and union tubes before connecting them, then tighten the nut with a torque wrench for a leak-free connection.
- Check carefully for leaks before opening the refrigerant valves.

#### When Servicing

- Turn the power OFF at the main circuit breaker panel before opening the unit to check or repair electrical parts and wiring.
- Keep your fingers and clothing away from any moving parts.
- Clean up the site after you finish, remembering to check that no metal scraps or bits of wiring have been left inside the unit being serviced.
- After installation, explain correct operation to the customer, using the operating manual.

#### WARNING

- Never touch electrical components immediately after the power supply has been turned off. Electric shock may occur. After turning off the power, always wait 5 minutes before touching electrical components.
- If refrigerant leaks while work is being carried out, ventilate the area. If the refrigerant comes in contact with a flame, it produces a toxic gas.

#### CAUTION

- Do not attempt to install the air conditioner or a part of the air conditioner by yourself.
- This unit must be installed by qualified personnel with a capacity certificate for handling refrigerant fluids. Refer to regulation and laws in use on installation place.
- This unit is part of a set constituting an air conditioner. It must not be installed alone or with a device non-authorized by the manufacturer.
- Always use a separate power supply line protected by a circuit breaker operating on all wires with a distance between contact of 1/8 in. (3 mm) for this unit.
- The unit must be correctly earthed (grounded) and the supply line must be equipped with a differential breaker in order to protect the persons.
- The units are not explosion proof and therefore should not be installed in explosive atmosphere.
- When moving, consult authorized service personnel for disconnection and installation of the unit.
- Do not place any other electrical products or household belongings under indoor unit or outdoor unit.  
Dripping condensation from the unit might get them wet, and may cause damage or malfunction of your property.

English

Français

Español

## 2. ABOUT THIS PRODUCT

### 2.1. Precautions for using R410A refrigerant

- The basic installation work procedures are the same as conventional refrigerant (R22) models. However, pay careful attention to the following points:
- Since the working pressure is 1.6 times higher than that of conventional refrigerant (R22) models, some of the piping and installation and service tools are special. (See the following table.) Especially, when replacing a conventional refrigerant (R22) model with a new refrigerant R410A model, always replace the conventional piping and flare nuts with the R410A piping and flare nuts.
- Models that use refrigerant R410A have a different charging port thread diameter to prevent erroneous charging with conventional refrigerant (R22) and for safety. Therefore, check beforehand. [The charging port thread diameter for R410A is 1/2-20 UNF.]
- Be more careful that foreign matter (oil, water, etc.) does not enter the piping than with refrigerant (R22) models. Also, when storing the piping, securely seal the opening by pinching, taping, etc.
- When charging the refrigerant, take into account the slight change in the composition of the gas and liquid phases. And always charge from the liquid phase where refrigerant composition is stable.

### 2.2. Special tools for R410A

Tool name	Contents of change
Gauge manifold	Pressure is high and cannot be measured with a conventional (R22) gauge. To prevent erroneous mixing of other refrigerants, the diameter of each port has been changed. It is recommended the gauge with seals -30 inHg to 768 psi (-0.1 to 5.3 MPa) for high pressure. -30 inHg to 551 psi (-0.1 to 3.8 MPa) for low pressure.
Charge hose	To increase pressure resistance, the hose material and base size were changed.
Vacuum pump	A conventional vacuum pump can be used by installing a vacuum pump adapter.
Gas leakage detector	Special gas leakage detector for HFC refrigerant R410A.

#### Copper pipes

It is necessary to use seamless copper pipes and it is desirable that the amount of residual oil is less than 0.004 oz/100 ft. (40 mg/10 m). Do not use copper pipes having a collapsed, deformed or discolored portion (especially on the interior surface). Otherwise, the expansion valve or capillary tube may become blocked with contaminants. As an air conditioner using R410A incurs pressure higher than when using R22, it is necessary to choose adequate materials.

#### ⚠ WARNING

- Do not use the existing (for R22) piping and flare nuts. If the existing materials are used, the pressure inside the refrigerant cycle will rise and cause failure, injury, etc. (Use the special R410A materials.)
- When installing and relocating the air conditioner, do not mix gases other than the specified refrigerant (R410A) to enter the refrigerant cycle. If air or other gas enters the refrigerant cycle, the pressure inside the cycle will rise to an abnormally high value and cause failure, injury, etc.

### 2.3. For authorized service personnel only.

#### ⚠ WARNING

- For the air conditioner to operate satisfactorily, install it as outlined in this installation manual.
- Connect the indoor unit and outdoor unit or branch box with the air conditioner piping and cables available from your local distributor. This installation manual describes the correct connections using the installation set available from your local distributor.
- Do not turn on the power until all installation work is complete.



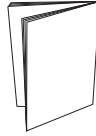
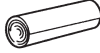
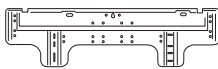


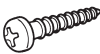

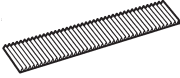

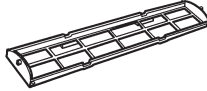
#### ⚠ CAUTION

This installation manual describes how to install the indoor unit only. To install the outdoor unit or branch box, refer to the installation manual included with the outdoor unit or branch box.

- Be careful not to scratch the air conditioner when handling it.
- After installation, explain correct operation to the customer, using the operating manual.

## 2.4. Accessories

The following installation accessories are supplied. Use them as required.

Name and Shape	Q'ty	Name and Shape	Q'ty
Operating manual 	1	Drain hose insulation 	1
Installation manual (This manual) 	1	Cloth tape 	1
Wall hook bracket 	1	Tapping screw (large) (M4 x 25 mm) 	8
Remote controller 	1	Tapping screw (small) (M3 x 12 mm) 	2
Battery 	2	Air cleaning filter 	2
Remote controller holder 	1	Filter holder 	2

The following items are necessary to install this air conditioner. (The items are not included with the air conditioner and must be purchased separately.)

Name	Q'ty	Name	Q'ty
Connection pipe assembly	1	Saddle	1 set
Connection cable (4-conductor)	1	Drain hose	1
Wall pipe	1	Tapping screws	1 set
Decorative tape	1	Sealant	1
Vinyl tape	1	M10 bolt, nut	4 set
Wall cap	1		

### 2.5. Additional materials required for installation

- Refrigeration (armored) tape
- Insulated staples or clamps for connecting wire (See your local electrical codes.)
- Putty
- Refrigeration lubricant
- Clamps or saddles to secure refrigerant piping

### 2.6. Optional parts

Refer to each installation manual for the method of installing optional parts.

Parts name	Model No.	Application
Wired Remote Controller	*XRNNUM	For air conditioner operation
Simple Remote Controller	*XRSNUM	For air conditioner operation
External connect kit	RXXWZX	For the installation of optional parts

### 3. GENERAL SPECIFICATIONS

#### 3.1. Type of copper pipe and insulation material

##### CAUTION

Refer to the installation manual for the outdoor unit for description of allowable pipe length and height difference.

##### Selecting pipe sizes

The diameters of the connection pipes according to the capacity of the indoor unit. Refer to the following table for the proper diameters of the connection pipes between the indoor unit and outdoor unit.

MODEL	Diameter	
	Liquid pipe	Gas pipe
18, 24 types	1/4 in. (6.35 mm)	1/2 in. (12.70 mm)
30, 36 types	3/8 in. (9.52 mm)	5/8 in. (15.88 mm)

##### CAUTION

Install heat insulation around both the gas and liquid pipes. Failure to do so may cause water leaks.  
Use heat insulation with heat resistance above 248 °F (120 °C). Reverse cycle model only.  
In addition, if the humidity level at the installation location of the refrigerant piping is expected to exceed 70%, install heat insulation around the refrigerant piping. If the expected humidity level is 70-80%, use heat insulation that is 9/16 in. (15 mm) or thicker and if the expected humidity exceeds 80%, use heat insulation that is 13/16 in. (20 mm) or thicker.  
If heat insulation is used that is not as thick as specified, condensation may form on the surface of the insulation. In addition, use heat insulation with heat conductivity of 0.045 W/(m·K) or less (at [68 °F (20 °C)]).

#### 3.2. Electrical requirement

The indoor unit is powered from the outdoor unit. Do not power indoor unit from separate power source.

##### WARNING

Refer to local codes for acceptable cable type.

Cable	Cable size	Remarks
Connection cable	14AWG	3 cable+Earth (Ground), 1φ 208/230 V

Max. Cable Length: Limit voltage drop to less than 2%. Increase cable gauge if voltage drop is 2% or more.

### 4. SELECTING THE INSTALLATION LOCATION

Decide the mounting position with the customer as follows:

- Install the indoor unit level on a strong wall which is not subject to vibration.
- The inlet and outlet ports should not be obstructed: the air should be able to blow all over the room.
- Install the unit a dedicated electrical branch circuit.
- Do not install the unit where it will be exposed to direct sunlight.
- Install the unit where connection to the outdoor unit is easy.
- Install the unit where the drain pipe can be easily installed.
- Take servicing, etc. into consideration and leave the spaces shown in [5.1. Installation dimensions]. Also install the unit where the filter can be removed.

Correct initial installation location is important because it is difficult to move unit after it is installed.

##### WARNING

Install the air conditioner in a location which can withstand a load of at least 3 times the weight of the main unit and which will not amplify sound or vibration. If the installation location is not strong enough, the indoor unit may fall and cause injuries.

Withstandable weight (Unit weight x 3\*)  
93 Lbs (42kg)

\*In accordance with UL standards.

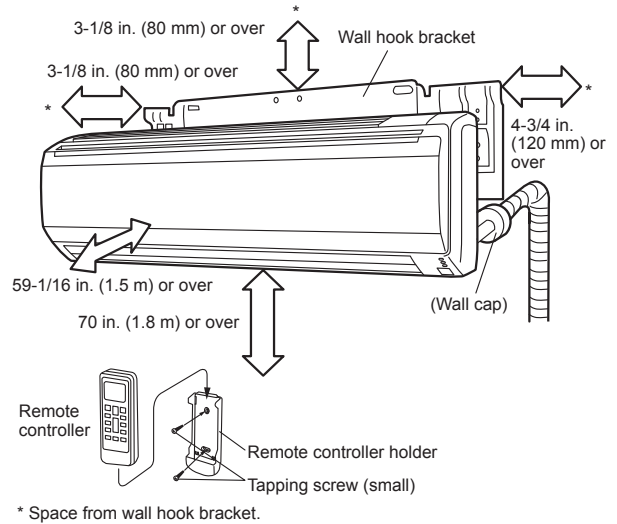
##### CAUTION

Do not install the unit in the following areas:

- Area with high salt content, such as at the seaside. It will deteriorate metal parts, causing the parts to fail or the unit to leak water.
- Area filled with mineral oil or containing a large amount of splashed oil or steam, such as a kitchen.  
It will deteriorate plastic parts, causing the parts to fail or the unit to leak water.
- Area that generates substances that adversely affect the equipment, such as sulfuric gas, chlorine gas, acid, or alkali.  
It will cause the copper pipes and brazed joints to corrode, which can cause refrigerant leakage.
- Area that can cause combustible gas to leak, contains suspended carbon fibers or flammable dust, or volatile inflammables such as paint thinner or gasoline.  
If gas leaks and settles around the unit, it can cause a fire.
- Area where animals may urinate on the unit or ammonia may be generated.
- Do not use the unit for special purposes, such as storing food, raising animals, growing plants, or preserving precision devices or art objects.  
It can degrade the quality of the preserved or stored objects.
- Do not install where there is the warning of combustible gas leakage.
- Do not install the unit near a source of heat, steam, or flammable gas.
- Install the unit where drainage does not cause any trouble.
- Install the indoor unit, outdoor unit, branch box, power supply cable, transmission cable, and remote controller cable at least 40 in. (1m) away from a television or radio receivers. The purpose of this is to prevent TV reception interference or radio noise. (Even if they are installed more than 40 in. (1m) apart, you could still receive noise under some signal conditions.)
- If children under 10 years old may approach the unit, take preventive measures so that they cannot reach the unit.
- Install the indoor unit on the wall where the height from the floors more than 70 in. (1.8 m).

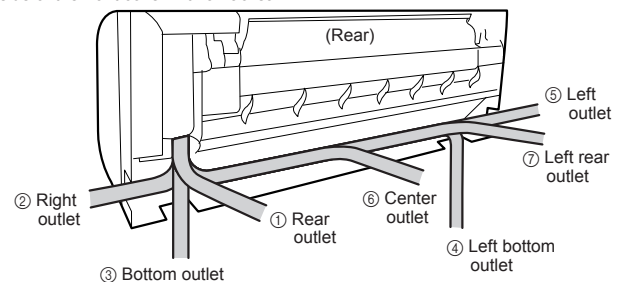
### 5. INSTALLATION WORK

#### 5.1. Installation dimensions



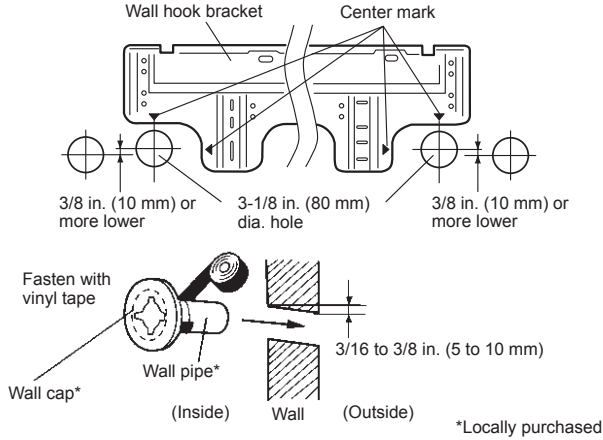
#### 5.2. Indoor unit piping direction

The piping can be connected in the 7 directions indicated in the following. When the piping is connected in direction ②, ③, ④ or ⑤, cut along the piping groove in the side of the front cover with a hacksaw.



### 5.3. Cutting a hole in the wall for connection pipes

- Cut a 3-1/8 in. (80 mm) diameter hole in the wall at the position shown in the figure.
- When cutting the wall hole at the inside of the wall hook bracket, cut the hole to a point of intersection of center marks.  
When cutting the wall hole at the outside of the wall hook bracket, cut the hole at a point of 3/8 in. (10 mm) below.
- Cut the hole so that the outside end is lower [3/16 to 3/8 in. (5 to 10 mm)] than the inside end.
- Always align the center of the wall hole. If misaligned, water leakage will occur.
- Cut the wall pipe to match the wall thickness, stick it into the wall cap, fasten the cap with vinyl tape, and stick the pipe through the hole.
- For left piping and right piping, cut the hole a little lower so that drain water will flow freely.

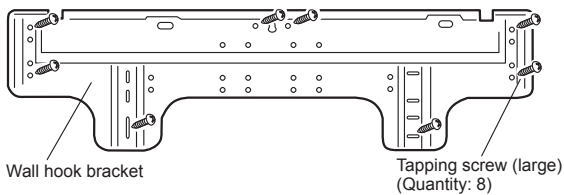


#### WARNING

Always use the wall pipe. If the wall pipe is not used, the cable that is connected between the indoor unit and the outdoor unit may touch metal, and cause an electric discharge.

### 5.4. Installing the wall hook bracket

- Install the wall hook bracket so that it is correctly positioned horizontally and vertically. If the wall hook bracket is tiled, water will drip to the floor.
  - Install the wall hook bracket so that it is strong enough to support the weight of the unit.
- Fasten the wall hook bracket to the wall with 6 or more screws through the holes near the outer edge of the bracket.
  - Check that there is no rattle at the wall hook bracket.



#### CAUTION

Install the wall-hook bracket both horizontally and vertically aligned. Misaligned installation may cause water leakage.

### 5.5. Forming the drain hose and pipe

#### [Rear piping, Right piping, Bottom piping]

- Install the indoor unit piping in the direction of the wall hole and bind the drain hose and pipe together with vinyl tape.
- Install the piping so that the drain hose is at the bottom.
- Wrap the pipes of the indoor unit that are visible from the outside with decorative tape.

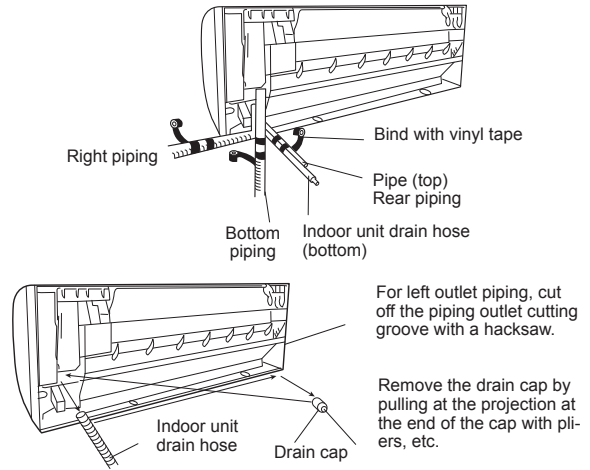
#### [For Left rear piping, Left piping]

Interchange the drain cap and the drain hose.

#### CAUTION

- Insert drain hose and drain cap securely. Drain should slope down to avoid water leakage.
  - When inserting, be sure not to attach any material besides water. If any other material is attached, it will cause deterioration and water leakage.
  - After removing the drain hose, be sure not to forget mounting the drain cap.
  - Be sure to fix the drain hose with tape to the bottom of piping.
  - Prevent drain water freezing under low temperature environment.
- When installing indoor unit's drain hose outdoors, necessary measure for frost protection should be taken to prevent drain water freezing.
- Under low temperature environment (when outdoor temperature under 32 °F (0 °C)), after cooling operation is executed, water in the drain hose could be frozen. Once drain water is frozen, the drain hose will be blocked and water leakage may result at the indoor unit.

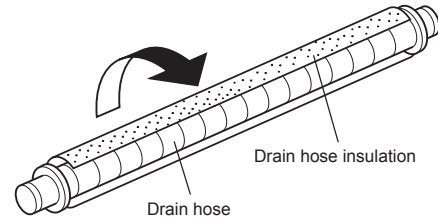
### Installation method of Drain cap



#### CAUTION

Insert the drain hose and drain cap into the drain port, making sure that it comes in contact with the back of the drain port, and then mount it. If the drain hose is not connected properly, leaking will occur.

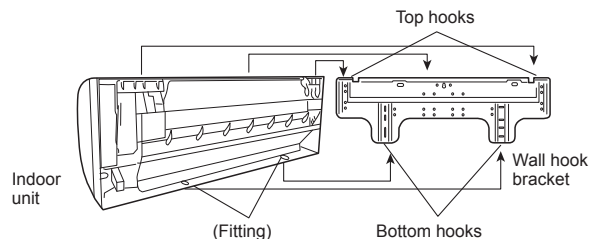
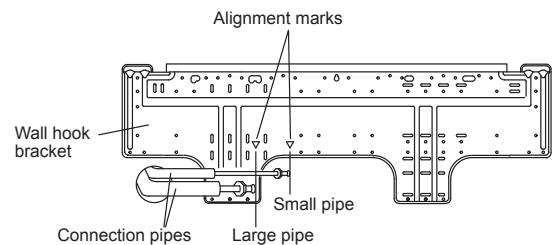
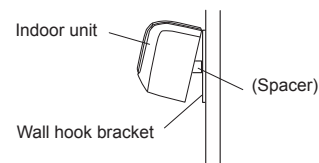
- Attach the Drain hose insulation to the drain hose.



- For left piping and left rear piping, align the marks on the wall hook bracket and shape the connection pipe.
- Bend the connection piping at a bend radius of 3-15/16 in. (100 mm) or more and install no more than 1-3/8 in. (35 mm) from the wall.
- After passing the indoor piping and drain hose through the wall hole, hang the indoor unit on the hooks at the top and bottom of the wall hook bracket.

#### [Installing the indoor unit]

- Hang the indoor unit from the hooks at the top of the wall hook bracket.
- Insert the spacer, etc. between the indoor unit and the wall hook bracket and separate the bottom of the indoor unit from the wall.



After hooking the indoor unit to the top hook, hook the fittings of the indoor unit to the 2 bottom hooks while lowering the unit and pushing it against the wall.

## 5.6. Flare connection (Pipe connection)

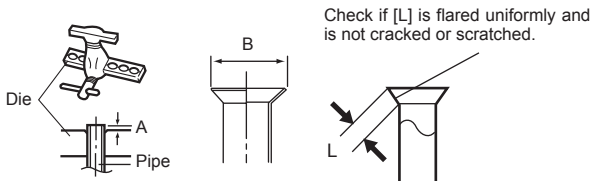
### CAUTION

Tighten the flare nuts with a torque wrench using the specified tightening method. Otherwise, the flare nuts could break after a prolonged period, causing refrigerant to leak and generate hazardous gas if the refrigerant comes into contact with a flame.

#### 5.6.1. Flaring

Use special pipe cutter and flare tool exclusive for R410A.

- (1) Cut the connection pipe to the necessary length with a pipe cutter.
- (2) Hold the pipe downward so that cuttings will not enter the pipe and remove any burrs.
- (3) Insert the flare nut (always use the flare nut attached to the indoor unit(s) and outdoor unit respectively) onto the pipe and perform the flare processing with a flare tool. Use the special R410A flare tool, or the conventional flare tool. Leakage of refrigerant may result if other flare nuts are used.
- (4) Protect the pipes by pinching them or with tape to prevent dust, dirt, or water from entering the pipes.



Pipe outside diameter [in. (mm)]	Dimension A [in. (mm)]	Dimension B [in. (mm)]
	Flare tool for R410A, clutch type	
1/4 (6.35)	0 to 0.020 (0 to 0.5)	3/8 (9.1)
3/8 (9.52)		1/2 (13.2)
1/2 (12.70)		5/8 (16.6)
5/8 (15.88)		3/4 (19.7)
3/4 (19.05)		15/16 (24.0)

When using conventional flare tools to flare R410A pipes, the dimension A should be approximately 0.020 in. (0.5 mm) more than indicated in the table (for flaring with R410A flare tools) to achieve the specified flaring. Use a thickness gauge to measure the dimension A.

Pipe outside diameter [in. (mm)]	Width across flats of Flare nut [in. (mm)]
1/4 (6.35)	11/16 (17)
3/8 (9.52)	7/8 (22)
1/2 (12.70)	1 (26)
5/8 (15.88)	1-1/8 (29)
3/4 (19.05)	1-7/16 (36)

#### 5.6.2. Bending pipes

- If pipes are shaped by hand, be careful not to collapse them.
- Do not bend the pipes in an angle more than 90°.
- When pipes are repeatedly bent or stretched, the material will harden, making it difficult to bend or stretch them anymore.
- Do not bend or stretch the pipes more than 3 times.

### CAUTION

- To prevent breaking of the pipe, avoid sharp bends.
- If the pipe is bent repeatedly at the same place, it will break.

#### 5.6.3. Pipe connection

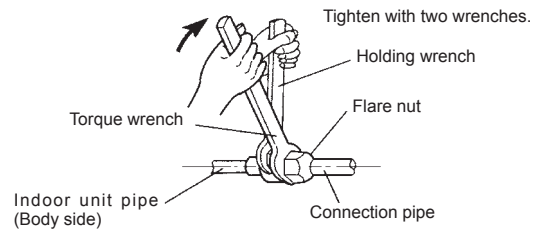
### CAUTION

- Be sure to install the pipe against the port on the indoor unit correctly. If the centering is improper, the flare nut cannot tighten smoothly. If the flare nut is forced to turn, the threads will be damaged.
- Do not remove the flare nut from the indoor unit pipe until immediately before connecting the connection pipe.
- Hold the torque wrench at its grip, keeping it in the right angle with the pipe, in order to tighten the flare nut correctly.
- Tighten the flare nuts with a torque wrench using the specified tightening method. Otherwise, the flare nuts could break after a prolonged period, causing refrigerant to leak and generate hazardous gas if the refrigerant comes into contact with a flame.

### CAUTION

- Connect the piping so that the control box cover can easily be removed for servicing when necessary.
- In order to prevent water from leaking into the control box, make sure that the piping is well insulated.

When the flare nut is tightened properly by your hand, hold the body side coupling with a wrench, then tighten with a torque wrench. (See the following table for the flare nut tightening torques.)



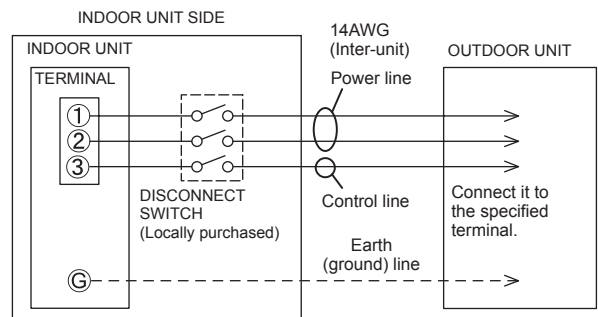
Flare nut [in. (mm)]	Tightening torque [lb-ft (N·m)]
1/4 (6.35) dia.	11.8 to 13.3 (16 to 18)
3/8 (9.52) dia.	23.6 to 31.0 (32 to 42)
1/2 (12.70) dia.	36.1 to 45.0 (49 to 61)
5/8 (15.88) dia.	46.5 to 55.3 (63 to 75)
3/4 (19.05) dia.	66.4 to 81.1 (90 to 110)

## 6. ELECTRICAL WIRING

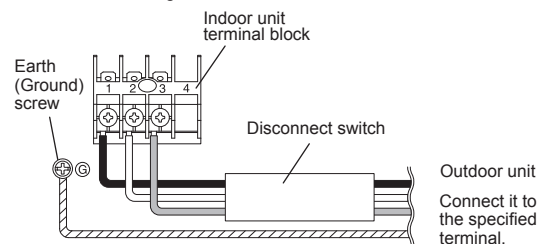
### 6.1. Wiring system diagram

### WARNING

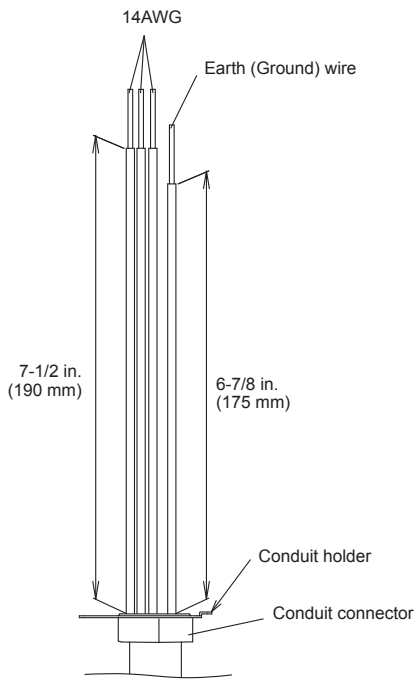
- Before connecting the wires, make sure the power supply is OFF.
- Every wire must be connected firmly.
- No wire should be allowed to touch refrigerant tubing, the compressor or any moving part.
- Loose wiring may cause the terminal to overheat or result in unit malfunction. A fire hazard may also exist. Therefore, be sure all wiring is tightly connected.
- Connect wires to the matching numbers of terminals.



Disconnect switch - locally purchased if required by local code. Select the correct capacity of disconnect switch according to the load.

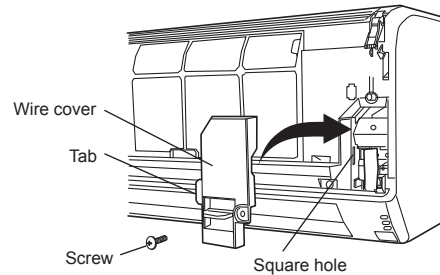
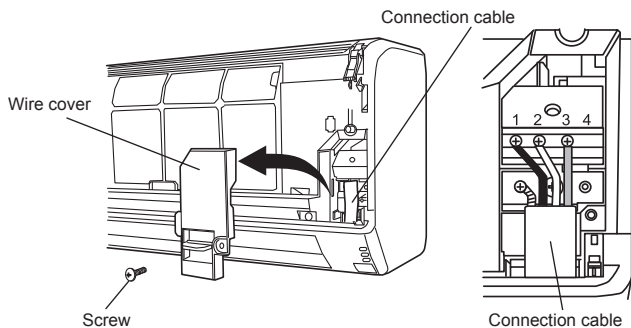
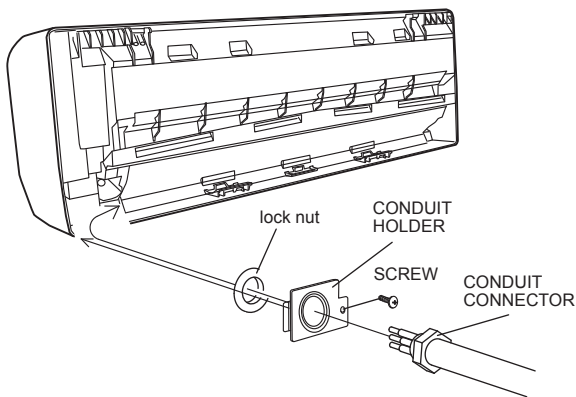


- To connect the indoor unit wires to the terminal correctly, refer to the figure for proper length.



## 6.2. How to install the connection cable

- Remove the screws, then remove the conduit holder.
- Fasten the connection cable to the conduit holder using the lock nut.  
**IMPORTANT:** Refer to figure of indoor unit wire length about the length of indoor unit wire harness.
- Use the screws to install the conduit holder provided with the indoor unit.
- Remove the screw to remove the wire cover.
- Connect the connection cable to the terminal.  
Refer to the wiring diagram and "How to connect wiring to the terminals".
- Use the screw to reinstall the wire cover.



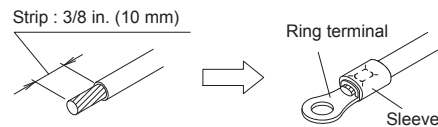
Insert the tab into the square hole of the indoor unit and fasten with a screw.

## 6.3. How to connect wiring to the terminals

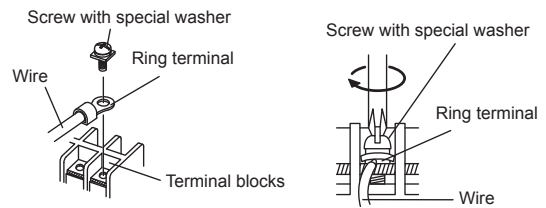
### Caution when wiring cable

When stripping off the insulation of a lead wire, always use a special tool such as a wire stripper. If there is no special tool available, carefully strip the insulation with a knife etc.

- Use ring terminals with insulating sleeves as shown in the figure below to connect to the terminal block.
- Securely clamp the ring terminals to the wires using an appropriate tool so that the wires do not come loose.



- Use the specified wires, connect them securely, and fasten them so that there is no stress placed on the terminals.
- Use an appropriate screwdriver to tighten the terminal screws. Do not use a screwdriver that is too small, otherwise, the screw heads may be damaged and prevent the screws from being properly tightened.
- Do not tighten the terminal screws too much, otherwise, the screws may break.



- See the table below for the terminal screw tightening torques.

Tightening torque [lb·in (N·m)]	
M4 screw	11 to 16 (1.2 to 1.8)

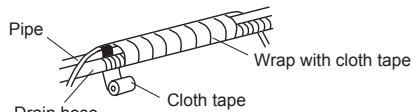
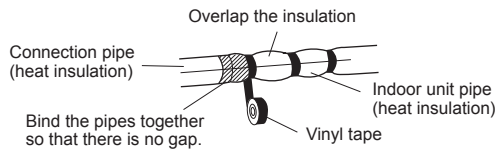
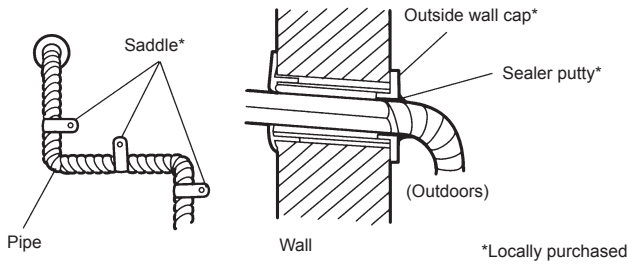
### CAUTION

- Attach the cable clamp firmly by holding the connection cable, and make sure that the clamp is fixed securely. Incomplete attachment of the cable clamp might cause a malfunction of the open panel.
- Match the terminal block numbers and connection cable colors with those of the outdoor unit or branch box. Erroneous wiring may cause burning of the electric parts.
- Connect the connection cables firmly to the terminal block. Imperfect installation may cause a fire.
- Always fasten the outside covering of the connection cable with the cable clamp. (If the insulator is chafed, electric discharge may occur.)
- Always connect the earth (ground) wire.
- Do not use the earth (ground) screw of the indoor unit for the connection other than a specified outdoor unit.

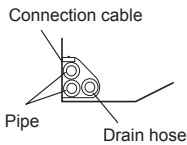
## 7. FINISHING

- Insulate between pipes.
  - Insulate suction and discharge pipes separately.
  - For rear, right, and bottom piping, overlap the connection pipe heat insulation and indoor unit pipe heat insulation and bind them with vinyl tape so that there is no gap.
  - For left and left rear piping, butt the connection pipe heat insulation and indoor unit pipe heat insulation together and bind them with and vinyl tape so that there is no gap.
  - For left and left rear piping, wrap the area which accommodates the rear piping housing section with cloth tape.
  - For left and left rear piping, bind the connection cable to the top of the pipe with vinyl tape.
  - For left and left rear piping, bundle the piping and drain hose together by wrapping them with cloth tape over within the range of which they fit into the rear piping storage section.

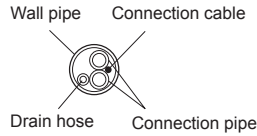
- (2) Temporarily fasten the connection cable along the connection pipe with vinyl tape. (Wrap to about 1/3 the width of the tape from the bottom of the pipe so that water does not enter.)
- (3) Fasten the connection pipe to the outside wall with a saddle, etc.
- (4) Fill the gap between the outside wall pipe hole and the pipe with sealer so that rain water and wind cannot blow in.
- (5) Fasten the drain hose to the outside wall, etc.



#### Left piping



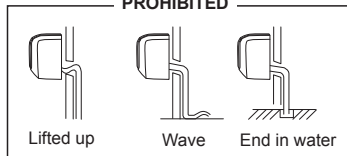
#### For connection from the left rear



Check the following:



#### PROHIBITED



## 8. FRONT PANEL REMOVAL AND INSTALLATION

### 8.1. Intake grille removal

- (1) Open the intake grille.
- (2) Pull down the knob.
- (3) Lift the intake grille upward, until the axle at the top of the intake grille is removed.

### 8.2. Intake grille installation

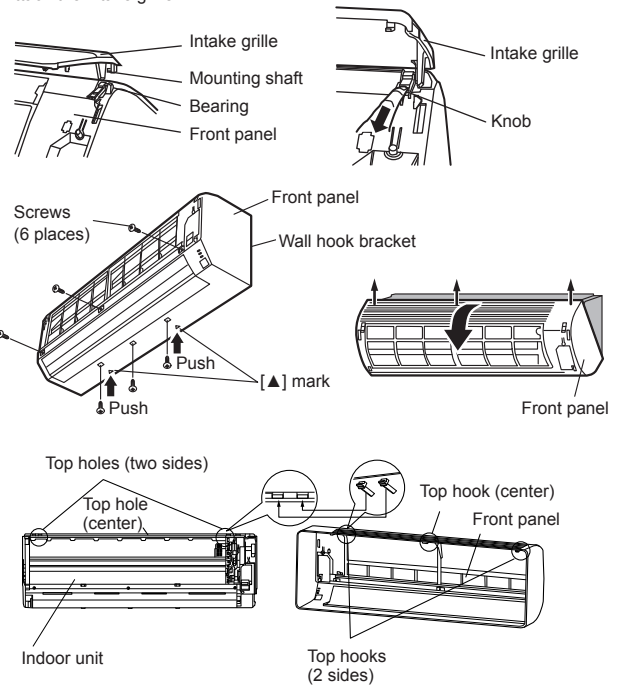
- (1) The fixing axle of the intake grille is installed on the Panel.
- (2) Lay down the intake grille.

### 8.3. Front panel removal

- (1) Remove intake grille (Reference the intake grille removal.)
- (2) Remove 6 screws.
- (3) The thumb is hung on the lower part as shown in the figure, and it pulls to the front, pushing [▲] mark, and bottom hooks (2 places) is removed from wall hook bracket.
- (4) The front panel is pulled to the front, raising the upper surface, and a front panel is removed.

## 8.4. Front panel installation

- (1) First, fit the lower part of the front panel, and insert top and bottom hooks. (3 top sides)
- (2) Attach the 6 screws.
- (3) Attach the intake grille.



#### CAUTION

Install the front panel and intake grille securely. If installation is imperfect, the front panel or intake grille may fall off and cause injury.

## 9. REMOTE CONTROLLER INSTALLATION

- Check that the indoor unit correctly receives the signal from the remote controller, then install the remote controller holder.

#### CAUTION

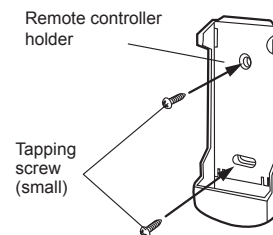
Select the remote controller holder selection site by paying careful attention to the following:

- Avoid places in direct sunlight.
- Select a place that will not be affected by the heat from a stove, etc.

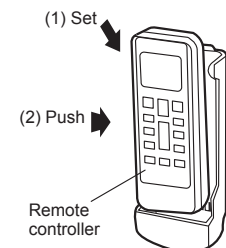
### 9.1. Remote controller holder installation

- Install the remote controller a maximum distance of 22 ft. (7 m) from the remote control receiver. However, when installing the remote controller, check that it operates correctly.
- Install the remote controller holder to a wall, pillar, etc. with the tapping screw.

#### Remote controller holder fixing



#### Remote controller mounting



## 10. OPTIONAL KIT INSTALLATION

This air conditioner can be connected with the following optional kits.

- Wired remote controller
- Simple remote controller
- External connect kit

### CAUTION

- Before installing, be sure to disconnect all power supply.
- Do not touch the heat exchanger.
- When installing or removing parts of the air conditioner, be sure that the wire is not caught by any parts or pulled hard. It may result in damage or malfunction of the air conditioner.
- Avoid place in direct sunlight.
- Select place that will not be affected by the heat from a stove, etc
- Before setting up the optional kit, please confirm whether air-conditioner can receive the signal.
- Do not connect the wired remote controller to the terminal for power supply.
- When connecting the wired remote controller with the indoor unit, use the connecting cable (supplied with wired remote controller or simple remote controller).
- Recommended cable length of wired remote controller is 32 ft. (10 m). Make sure to do insulate of connecting part when extended the cable.

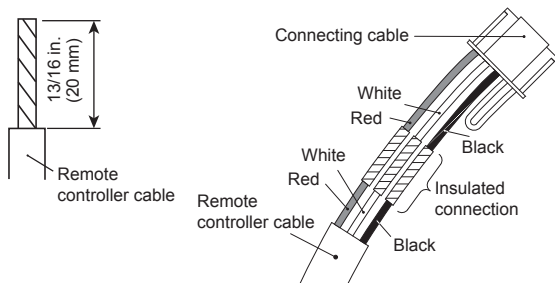
### 10.1. Before installing wired remote controller

- When you use wired remote controller, some functions may not be used.

### 10.2. Remote controller cable modification

- (1) Use a tool to cut off the terminal on the end of the remote controller cable, and then remove the insulation from the cut end of the cable.
- (2) Connect the remote controller cable and connecting cable.  
(supplied with wired remote controller)

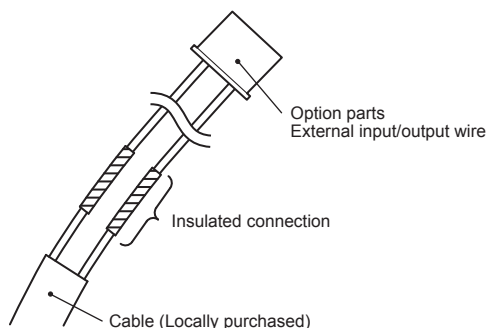
**Important:** Be sure to insulate the connection between the wires.



### 10.3. External input / output Wire modification

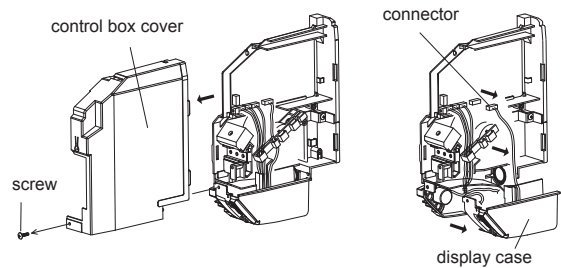
- (1) Remove insulation from wire attached to wire kit connector. Remove insulation from locally purchased cable. Use crimp type insulated butt connector to join field cable and wire kit wire.
- (2) Connect the wire and locally purchased wire.  
(Supplied with external connect kit)

**Important:** Be sure to solder wires to connect. Be sure to insulate the connection between the wires.



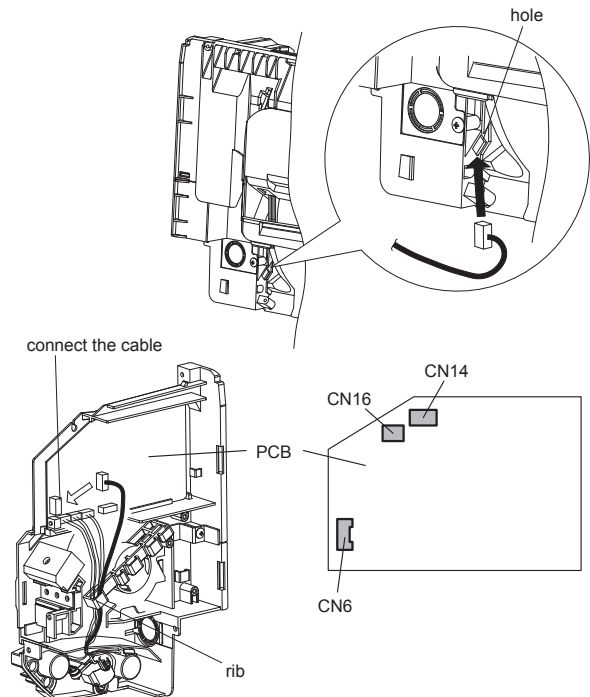
## 10.4. Front panel, control box cover and display case removal

- (1) Refer to "FRONT PANEL REMOVAL AND INSTALLATION" to remove the front panel.
- (2) Remove the screw then remove the control box cover.
- (3) Remove the display case and connector.



## 10.5. Connecting cable to control board connector

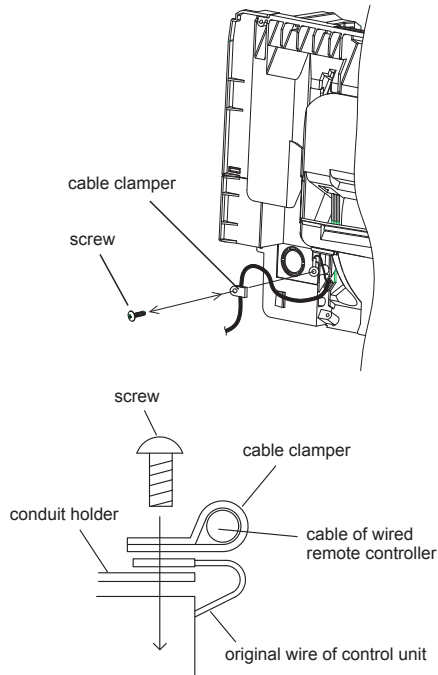
- (1) Pass the cable from the hole in the back of indoor unit.
- (2) Connect the cable to the control board connector.
- (3) Hook the cable to the rib.



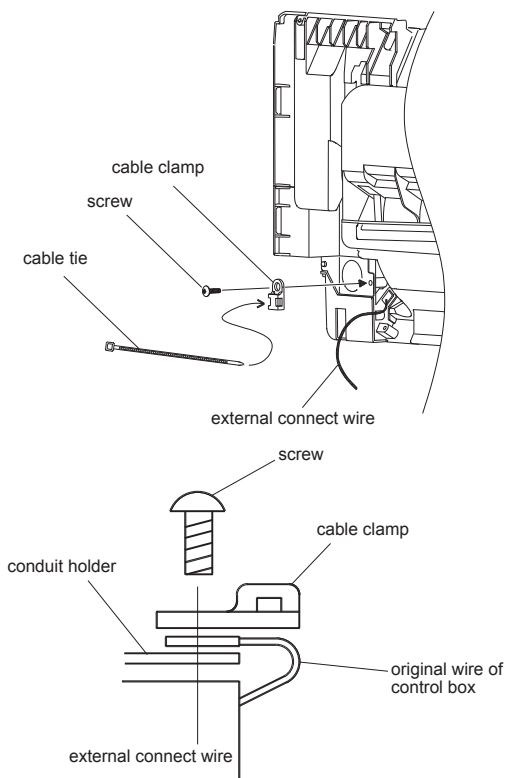
Option type	Connector No
Wired remote controller	CN6
Simple remote controller	CN6
External input	CN14
External output	CN16



(4) Use cable clumper and screw to fasten the cable of wired remote controller.



(5) Fix the cable tie clamp with the screw and bind the wire of external kit with the cable tie.



## 10.6. Front panel, control box cover and display case installation

Install front panel, control box cover and display case by the reverse procedures as stated in 10.4. Front panel, control box cover and display case removal.

## 11. FUNCTION SETTING

Perform the Function setting according to the installation conditions using the remote controller.

### CAUTION

- Confirm whether the wiring work for outdoor unit or branch box has been finished.
- Confirm that the cover for the electrical enclosure on the outdoor unit is in place.
- This procedure changes to the function settings used to control the indoor unit according to the installation conditions. Incorrect settings can cause the indoor unit to malfunction.
- After the power is turned on, perform the Function setting according to the installation conditions using the remote controller.
- The settings may be selected between the following two: Function Number and Setting Value.
- Settings will not be changed if invalid numbers or setting values are selected.
- Refer to the installation manual enclosed with the remote controller when the wired remote controller (option) is used.

### Entering the Function Setting Mode

While pressing the "FAN" button and "SET TEMP." (▲) simultaneously, press the "RESET" button to enter the function setting mode.

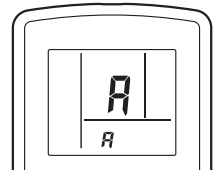
#### STEP 1

##### Selecting the Remote Controller Custom Code

Use the following steps to select the custom code of the remote controller. (Note that the air conditioner cannot receive a signal if the air conditioner has not been set for the matching custom code.)

The custom codes that are set through this process are applicable only to the signals in the Function setting. For details on how to set the custom codes through the normal process, refer to Remote controller custom code.

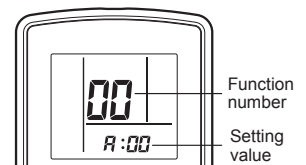
- ① Press "SET TEMP." (▲) (▼) button to change the custom code between A↔B↔C↔D. Match the code on the display to the air conditioner custom code. (initially set to A)  
(If the custom code does not need to be selected, press the "MODE" button and proceed to STEP 2.)
- ② Press the "TIMER MODE" button and check that the indoor unit can receive signals at the displayed custom code.
- ③ Press the "MODE" button to accept the custom code, and proceed to STEP 2.



#### STEP 2

##### Selecting the Function Number and Setting Value

- ① Press the "SET TEMP." (▲) (▼) buttons to select the function number. (Press the "MODE" button to switch between the left and right digits.)
- ② Press the "FAN" button to proceed to setting the value. (Press the "FAN" button again to return to the function number selection.)
- ③ Press the "SET TEMP." (▲) (▼) buttons to select the setting value. (Press the "MODE" button to switch between the left and right digits.)
- ④ Press the "TIMER MODE" button, and "START/STOP" button, in the order listed to confirm the settings.
- ⑤ Press the "RESET" button to cancel the function setting mode.
- ⑥ After completing the Function setting, be sure to disconnect the power and reconnect it again.



### CAUTION

After disconnecting the power, wait 30 seconds or more before reconnecting it. The Function setting does not become active unless the power is disconnected then reconnected again.

## 11.1. Function details

### Filter Sign

Select appropriate intervals for displaying the filter sign on the indoor unit according to the estimated amount of dust in the air of the room.

If the indication is not required, select "No indication" (03).

(◆... Factory setting)

Function Number	Setting Value	Setting Description
11	00	Standard (400 hours)
	01	Long interval (1000 hours)
	02	Short interval (200 hours)
	03	No indication

### Auto Restart

Enable or disable automatic restart after a power interruption.

(◆... Factory setting)

Function Number	Setting Value	Setting Description
40	00	Enable
	01	Disable

\* Auto restart is an emergency function such as for power outage etc. Do not attempt to use this function in normal operation. Be sure to operate the unit by remote controller or external device.

### Room temperature sensor switching

(Only for Wired remote controller)

When using the Wired remote controller temperature sensor, change the setting to "Both" (01).

(◆... Factory setting)

Function Number	Setting Value	Setting Description
42	00	Indoor unit
	01	Both

00: Sensor on the indoor unit is active.

01: Sensors on both indoor unit and wired remote controller are active.

\* Remote controller sensor must be turned on by using the remote controller

### Remote controller custom code

(Only for wireless remote controller)

The indoor unit custom code can be changed.

Select the appropriate custom code.

(◆... Factory setting)

Function Number	Setting Value	Setting Description
44	00	A
	01	B
	02	C
	03	D

### External input control

"Operation/Stop" mode or "Forced stop" mode can be selected.

(◆... Factory setting)

Function Number	Setting Value	Setting Description
46	00	Operation/Stop mode
	01	(Setting prohibited)
	02	Forced stop mode

### Room temperature sensor switching (Aux.)

To use the temperature sensor on the wired remote controller only, change the setting to "Wired remote controller" (01). This function will only work if the function setting 42 is set at "Both" (01)

(◆... Factory setting)

Function Number	Setting Value	Setting Description
48	00	Both
	01	Wired remote controller

### Indoor unit fan control for energy saving for cooling

Enables or disables the power-saving function by controlling the indoor unit fan rotation when the outdoor unit is stopped during cooling operation.

(◆... Factory setting)

Function Number	Setting Value	Setting Description
49	00	Disable
	01	Enable

00: When the outdoor unit is stopped, the indoor unit fan operates continuously following the setting on the remote controller.

01: When the outdoor unit is stopped, the indoor unit fan operates intermittently at a very low speed.

## Setting record

Record any changes to the settings in the following table.

Setting Description	Setting Value
Filter sign	
Auto restart	
Room temperature sensor switching	
Remote controller custom code	
External input control	
Room temperature sensor switching (Aux.)	
Indoor unit fan control for energy saving for cooling	

After completing the Function setting, be sure to disconnect the power and reconnect it again.

## 11.2. Temperature correction

### NOTE:

When changing Function 95, perform this setting before other Room temp. control settings (Function 30, 31, 92, 93).

If Function 95 is not set first, Room temperature control settings (Function 30, 31, 92, 93) will be reset and you must re-do them again.

### Heat Insulation condition (building insulation)

Heat insulation conditions differ according to the installed environment.

Standard insulation "00" allows system to rapidly respond to the cooling or heating load changes.

High insulation "01" is when the heat insulation structure of the building is high and does not require system to rapidly respond to cooling or heating load changes.

When High insulation "01" is selected;

- Overheating (overcooling) is prevented at the start-up.

- All room temp. control settings (Function 30, 31, 92, 93) will reset to No correction [0.0°F (0.0°C)].

(◆... Factory setting)

Function Number	Setting Value	Setting Description
95	00	Standard insulation
	01	High insulation

### Room temperature control for indoor unit sensor

Depending on the installed environment, correction of the room temperature sensor may be required.

Select the appropriate control setting according to the installed environment.

The temperature correction values show the difference from the Standard setting "00" (manufacturer's recommended value).

\* When Function 95-01(High insulation) is set, the Standard setting "00" will be the same as No correction "01" [0.0°F (0.0°C)].

(◆... Factory setting)

Function Number	Setting Value	Setting Description	
30 (For cooling)	31 (For heating)	00	Standard setting*
		01	No correction 0.0°F (0.0°C)
		02	-1°F (-0.5°C)
		03	-2°F (-1.0°C)
		04	-3°F (-1.5°C)
		05	-4°F (-2.0°C)
		06	-5°F (-2.5°C)
		07	-6°F (-3.0°C)
		08	-7°F (-3.5°C)
		09	-8°F (-4.0°C)
		10	+1°F (+0.5°C)
		11	+2°F (+1.0°C)
		12	+3°F (+1.5°C)
		13	+4°F (+2.0°C)
		14	+5°F (+2.5°C)
		15	+6°F (+3.0°C)
		16	+7°F (+3.5°C)
17	+8°F (+4.0°C)		

### Room temperature control for wired remote controller sensor

Depending on the installed environment, correction of the wire remote temperature sensor may be required.

Select the appropriate control setting according to the installed environment.

To change this setting, set Function 42 to Both "01".

Ensure that the Thermo Sensor icon is displayed on the remote controller screen.

(◀... Factory setting)

Function number	Setting value	Setting description		
92 (For cooling)	93 (For heating)	00	No correction 0.0°F (0.0°C)	More Cooling Less Heating
		01	No correction 0.0°F (0.0°C)	
		02	-1°F (-0.5°C)	
		03	-2°F (-1.0°C)	
		04	-3°F (-1.5°C)	
		05	-4°F (-2.0°C)	
		06	-5°F (-2.5°C)	
		07	-6°F (-3.0°C)	
		08	-7°F (-3.5°C)	Less Cooling More Heating
		09	-8°F (-4.0°C)	
		10	+1°F (+0.5°C)	
		11	+2°F (+1.0°C)	
		12	+3°F (+1.5°C)	
		13	+4°F (+2.0°C)	
		14	+5°F (+2.5°C)	
		15	+6°F (+3.0°C)	
		16	+7°F (+3.5°C)	
17	+8°F (+4.0°C)			

### Setting record

• Record any changes to the settings in the following table.

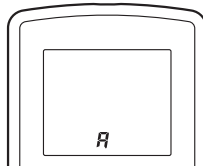
Setting	Setting Value	
Heat Insulation condition (building insulation)		
Room temperature control for indoor unit sensor	Cooling	
	Heating	
Room temperature control for wired remote controller sensor	Cooling	
	Heating	

After completing the Function setting, be sure to disconnect the power and reconnect it again.

### Remote controller custom code setting

Use the following steps to select the custom code of the remote controller. (Note that the air conditioner cannot receive a signal if the air conditioner has not been set for the matching custom code.)

- Press the "START/STOP" button until only the clock is displayed on the remote controller display.
- Press the "MODE" button for at least 5 seconds to display the current custom code (initially set to A).
- Press the "SET TEMP." (▲) (▼) button to change the custom code between  $A \leftrightarrow B \leftrightarrow C \leftrightarrow D$ . Match the code on the display to the air conditioner custom code.
- Press the "MODE" button again to return to the clock display. The custom code will be changed.



If no buttons are pressed within 30 seconds after the custom code is displayed, the system returns to the original clock display. In this case, start again from step 1

Depending on the remote controller, the custom code may return to custom code A when the batteries are replaced. In this case, if you use a code other than A, reset the code after replacing the batteries.  
If you do not know the air conditioner custom code setting, try each code (A→B→C→D) until you find the code which operates the air conditioner.

## 12. TEST RUN

### WARNING

Do not turn on the power until all installation work is complete.

### CAUTION

Always turn on the power 12 hours prior to the start of the operation in order to ensure compressor protection.

### Check items

- Is operation of each button on the remote control unit normal?
  - Does each lamp light normally?
  - Do airflow direction louvers operate normally?
  - Is the drain normal?
  - Do not have an abnormal noise and vibration during operation?
- Do not operate the air conditioner in test run for a long time.

### [Operation method]

Depending on your installation, choose from the following:

By the wireless remote controller

- To start test run, press the "START/STOP" button and the "TEST RUN" button on the remote controller.
- To end test run, press the remote controller "START/STOP" button.

By the indoor unit

- To start test run, press the "MANUAL AUTO" button of the indoor unit for more than 10 seconds (forced cooling).
- To end test run, press the "MANUAL AUTO" button for more than 3 seconds or press the remote controller "START/STOP" button.

By the wired remote controller

- For the operation method, refer to the installation manual and the operating manual of the wired remote controller.

The Operation indicator lamp and Timer indicator lamp will simultaneously flash during the test run mode.

Heating test run will begin in a few minutes when HEAT is selected by the remote controller [reverse cycle model only].

## 13. CUSTOMER GUIDANCE

Explain the following to the customer in accordance with the operating manual:

- Starting and stopping method, operation switching, temperature adjustment, timer, air flow switching, and other remote control unit operations.
- Air filter removal and cleaning, and how to use the air louvers.
- Give the operating manual to the customer.

## 14. ERROR CODES

If you use a wireless remote controller, the lamp on the photo detector unit will output error codes by way of blinking patterns. If you use a wired remote controller, error codes will appear on the remote control display. See the lamp blinking patterns and error codes in the table. An error display is displayed only during operation.

Error display			Wired remote controller Error code	Description
OPERATION lamp (green)	TIMER lamp (orange)	ECONOMY lamp (green)		
●(1)	●(1)	◇	11	Serial communication error
●(1)	●(2)	◇	12	Wired remote controller communication error
●(1)	●(5)	◇	15	Check run unfinished
●(1)	●(6)	◇	16	Peripheral unit transmission PCB connection error
●(1)	●(8)	◇	18	External communication error
●(2)	●(1)	◇	21	Unit number or Refrigerant circuit address setting error [Simultaneous Multi]
●(2)	●(2)	◇	22	Indoor unit capacity error
●(2)	●(3)	◇	23	Combination error
●(2)	●(4)	◇	24	• Connection unit number error (indoor secondary unit) [Simultaneous Multi] • Connection unit number error (indoor unit or branch unit) [Flexible Multi]
●(2)	●(6)	◇	26	Indoor unit address setting error
●(2)	●(7)	◇	27	Primary unit, secondary unit setup error [Simultaneous Multi]
●(2)	●(9)	◇	29	Connection unit number error in wired remote controller system
●(3)	●(1)	◇	31	Power supply interruption error
●(3)	●(2)	◇	32	Indoor unit PCB model information error
●(3)	●(5)	◇	35	Manual auto switch error
●(3)	●(10)	◇	3A	Indoor unit communication circuit (wired remote controller) error
●(4)	●(1)	◇	41	Room temp. sensor error
●(4)	●(2)	◇	42	Indoor unit Heat Ex. Middle temp. sensor error
●(4)	●(4)	◇	44	Human sensor error
●(5)	●(1)	◇	51	Indoor unit fan motor error
●(5)	●(3)	◇	53	Drain pump error
●(5)	●(7)	◇	57	Damper error
●(5)	●(8)	◇	58	Intake grille error
●(5)	●(15)	◇	5U	Indoor unit error
●(6)	●(1)	◇	61	Outdoor unit reverse/missing phase and wiring error
●(6)	●(2)	◇	62	Outdoor unit main PCB model information error or communication error
●(6)	●(3)	◇	63	Inverter error
●(6)	●(4)	◇	64	Active filter error, PFC circuit error
●(6)	●(5)	◇	65	Trip terminal L error
●(6)	●(10)	◇	6A	Display PCB microcomputers communication error

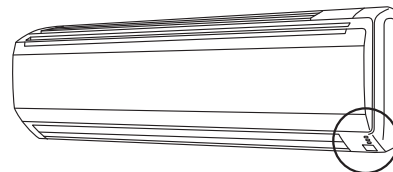
Error display			Wired remote controller Error code	Description
OPERATION lamp (green)	TIMER lamp (orange)	ECONOMY lamp (green)		
●(7)	●(1)	◇	71	Discharge temp. sensor error
●(7)	●(2)	◇	72	Compressor temp. sensor error
●(7)	●(3)	◇	73	Outdoor unit Heat Ex. liquid temp. sensor error
●(7)	●(4)	◇	74	Outdoor temp. sensor error
●(7)	●(5)	◇	75	Suction Gas temp. sensor error
●(7)	●(6)	◇	76	• 2-way valve temp. sensor error • 3-way valve temp. sensor error
●(7)	●(7)	◇	77	Heat sink temp. sensor error
●(8)	●(2)	◇	82	• Sub-cool Heat Ex. gas inlet temp. sensor error • Sub-cool Heat Ex. gas outlet temp. sensor error
●(8)	●(3)	◇	83	Liquid pipe temp. sensor error
●(8)	●(4)	◇	84	Current sensor error
●(8)	●(6)	◇	86	• Discharge pressure sensor error • Suction pressure sensor error • High pressure switch error
●(9)	●(4)	◇	94	Trip detection
●(9)	●(5)	◇	95	Compressor rotor position detection error (permanent stop)
●(9)	●(7)	◇	97	Outdoor unit fan motor 1 error
●(9)	●(8)	◇	98	Outdoor unit fan motor 2 error
●(9)	●(9)	◇	99	4-way valve error
●(9)	●(10)	◇	9A	Coil (expansion valve) error
●(10)	●(1)	◇	A1	Discharge temp. error
●(10)	●(3)	◇	A3	Compressor temp. error
●(10)	●(4)	◇	A4	High pressure error
●(10)	●(5)	◇	A5	Low pressure error
●(13)	●(2)	◇	J2	Branch boxes error [Flexible Multi]

Display mode ● : 0.5s ON / 0.5s OFF

◇ : 0.1s ON / 0.1s OFF

( ) : Number of flashing

### [Troubleshooting with the indoor unit display]



OPERATION OPERATION lamp (green)  
 TIMER TIMER lamp (orange)  
 ECONOMY ECONOMY lamp (green)

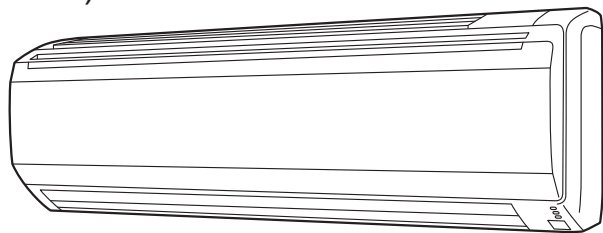
### [Troubleshooting with the Wired Remote Controller Display (Option)]

If an error occurs, the following display will be shown. ("Er" will appear in the set room temperature display.)



# CLIMATISEUR

## UNITÉ INTÉRIEURE (Type à montage mural)



Pour le personnel de service agréé uniquement.

- L'installation doit exclusivement être réalisée par du personnel agréé, conformément aux réglementations du NEC et du CEC.
- Ces produits sont fabriqués suivant des tolérances et unités métriques. Les unités usuelles des États-Unis sont uniquement données à titre indicatif. Si les dimensions et les tolérances précises sont requises, reportez-vous toujours aux unités métriques.

## 1. PRÉCAUTIONS DE SÉCURITÉ

### 1.1. IMPORTANT ! Veuillez lire avant de commencer

Ce climatiseur répond à des normes de sécurité et d'utilisation strictes. Au titre d'installateur ou de personnel d'entretien, le fait d'installer et d'entretenir le système de manière à ce qu'il fonctionne en toute sécurité et efficacité représente une partie importante de votre travail.

**Pour une installation sûre et un fonctionnement sans problèmes, vous devez :**

- Lire attentivement ce manuel d'instruction avant de commencer.
- Suivre avec exactitude chacune des étapes d'installation ou de réparation tel qu'illustré.
- Respecter tous les codes locaux, étatiques et nationaux.
- Faire extrêmement attention à tous les signalements d'avertissement et de précautions donnés dans ce manuel.

#### AVERTISSEMENT

Ce symbole se réfère à un danger ou à une pratique dangereuse qui peut engendrer des blessures importantes ou la mort.

#### ATTENTION

Ce symbole se réfère à un danger ou à une pratique dangereuse, qui peut engendrer des blessures ou un potentiel endommagement du produit ou des dommages matériels.

- Symboles d'alerte relatifs aux risques



Électrique



Sécurité / alerte

#### Si besoin, demandez de l'aide

Ces instructions contiennent tous les éléments dont vous avez besoin pour la plupart des sites d'installation et des conditions d'entretien. Si vous avez besoin d'assistance pour un problème spécifique, communiquez avec votre boutique de vente/service après-vente ou votre distributeur certifié pour des instructions supplémentaires.

#### En cas de mauvaise installation

Le fabricant ne sera en aucun cas responsable de toute installation ou service d'entretien incorrectement réalisés, notamment de tout manquement à suivre les instructions données dans le présent document.

### 1.2. PRÉCAUTIONS PARTICULIÈRES

#### Lors du câblage

UNE DÉCHARGE ÉLECTRIQUE PEUT CAUSER DES BLESSURES IMPORTANTES OU LA MORT. SEUL UN ÉLECTRICIEN QUALIFIÉ ET EXPÉRIMENTÉ EST HABILITÉ À CÂBLER CE SYSTÈME.

- Ne mettez pas l'unité sous tension tant que tout le câblage et la tubulure ne sont pas terminés ou raccordés et vérifiés.
- Des tensions électriques très dangereuses sont utilisées dans ce système. Reportez-vous attentivement au schéma de principe et aux présentes instructions lors du câblage. Toute mauvaise connexion ou toute mise à la terre inappropriée peut engendrer des blessures accidentelles ou la mort par accident.
- Procédez à la mise à la terre conformément aux codes électriques locaux.
- Connectez tout le câblage correctement. Tout surplus de fil pourrait engendrer une surchauffe au niveau des points de raccordement et un éventuel risque d'incendie.

#### Lors du transport

Portez et déplacez les unités intérieures et extérieures avec précautions. Demandez à un collègue de vous aider et pliez les genoux lors du levage, afin de réduire la tension sur votre dos. Veillez à ne pas vous couper les doigts avec les coins tranchants du climatiseur et les fines ailettes en aluminium.

# MANUEL D'INSTALLATION

N° DE PIÈCE 9318739237

## Contenu

1. PRÉCAUTIONS DE SÉCURITÉ.....	1
2. INFORMATIONS SUR CE PRODUIT.....	2
3. SPÉCIFICATIONS GÉNÉRALES.....	3
4. SÉLECTION DE L'EMPLACEMENT D'INSTALLATION.....	3
5. TRAVAIL D'INSTALLATION.....	3
6. CÂBLAGE ÉLECTRIQUE.....	5
7. FINITION.....	6
8. RETRAIT ET INSTALLATION DU PANNEAU AVANT.....	7
9. INSTALLATION DE LA TÉLÉCOMMANDE.....	7
10. INSTALLATION DE KIT EN OPTION.....	8
11. RÉGLAGE DES FONCTIONS.....	9
12. TEST DE FONCTIONNEMENT.....	11
13. CONSEILS AU CLIENT.....	11
14. CODES D'ERREUR.....	12

#### Lors de l'installation...

##### ...Sur un plafond ou sur un mur

Assurez-vous que le plafond ou le mur est assez résistant pour maintenir le poids de l'unité. Il sera peut-être nécessaire de construire un cadre en bois ou en métal résistant, pour fournir un soutien supplémentaire.

##### ...Dans une salle

Isolez correctement tout chemin de tubulure à l'intérieur d'une salle, pour empêcher toute « condensation », qui pourrait engendrer un égouttement et des dégâts des eaux sur les murs et au sol.

##### ...Dans une zone exposée à des vents violents

Ancrez solidement la partie inférieure de l'unité extérieure, à l'aide de boulons et d'un cadre en métal. Placez un déflecteur d'air approprié.

##### ...Dans une zone enneigée (pour les circuits de chauffage à pompe)

Installez l'unité extérieure sur une plateforme surélevée, au-dessus de la neige poudreuse.

#### Lors du raccordement de la tubulure de réfrigérant

- Veillez à ce que les chemins de tubulure soient aussi courts que possible.
- Utilisez la méthode d'évasement pour raccorder la tubulure
- Appliquez un lubrifiant réfrigérant sur les surfaces en contact avec l'évasement et unissez les tuyaux avant de les raccorder, puis serrez l'écrou avec une clé dynamométrique pour un raccordement exempt de toute fuite
- Assurez-vous qu'il n'y a pas de fuites, avant d'ouvrir les soupapes du produit réfrigérant.

#### Lors de l'entretien courant

- Coupez l'alimentation (OFF) au niveau du panneau du disjoncteur principal avant d'ouvrir l'unité pour vérifier ou réparer des pièces électriques ou le câblage.
- Éloignez vos doigts et vos vêtements de toute pièce mobile.
- Nettoyez le site après avoir fini, tout en pensant à vérifier qu'il n'y a pas de débris métalliques ou de bouts de câble à l'intérieur de l'unité en cours de maintenance.
- Après l'installation, expliquez au client comment utiliser l'unité correctement à l'aide du mode d'emploi.

#### AVERTISSEMENT

- Ne touchez jamais aux composants électriques immédiatement après avoir coupé l'alimentation électrique. Ceci peut provoquer une décharge électrique. Après avoir coupé le courant, attendez toujours 5 minutes avant de toucher les composants électriques.
- Si du produit réfrigérant fuit en cours de fonctionnement, aérez l'endroit. Si du produit réfrigérant entre en contact avec une flamme, il génère un gaz toxique.

#### ATTENTION

- N'essayez pas d'installer le climatiseur ou une partie de l'unité par vous-même.
- Cette unité doit être installée par du personnel qualifié disposant d'un certificat d'aptitude permettant de manipuler les fluides réfrigérants. Reportez-vous aux réglementations et lois applicables sur le lieu d'installation.
- Cet unité fait partie d'un ensemble formant un climatiseur. Elle ne doit pas être installée seule ou installée avec un dispositif non agréé par le fabricant.
- Utilisez toujours une ligne d'alimentation indépendante protégée par un disjoncteur omnipolaire avec ouverture des contacts supérieures à 1/8 po (3 mm) pour alimenter l'unité.
- L'unité doit être correctement mise à la terre et la ligne d'alimentation doit être équipée d'un disjoncteur différentiel, afin de protéger les personnes.
- Les unités ne résistent pas aux explosions et par conséquent ne doivent pas être installés en atmosphère explosive.
- Lors du déplacement, consulter le personnel de service agréé pour la déconnexion et l'installation de l'unité.
- Ne placez aucun autre produit électrique ou article de ménage sous l'unité intérieure ou l'unité extérieure. De la condensation s'écoulant de l'unité pourrait les mouiller, et causer des dommages ou un fonctionnement défectueux de vos équipements.

## 2. INFORMATIONS SUR CE PRODUIT

### 2.1. Précautions relatives à l'utilisation du produit réfrigérant R410A

- Les procédures des travaux d'installation de base sont les mêmes que celles des modèles à réfrigérant (R22) conventionnels. Cependant, faites tout particulièrement attention aux points suivants :
- Étant donné que la pression de service est 1,6 fois plus importante que celle des modèles à réfrigérant conventionnel (R22), certaines tuyauteries et outils d'installation et d'entretien sont spéciaux. (Voir le tableau suivant.)  
Faites tout particulièrement attention lorsque vous remplacez un modèle conventionnel à réfrigérant (R22) par un nouveau produit réfrigérant R410A. Veillez à toujours remplacer la tuyauterie et les écrous évasés conventionnels par la tuyauterie et les écrous évasés spécifiques au R410A.
- Pour les modèles qui utilisent le produit réfrigérant R410A, le diamètre des filets du port de chargement est différent afin d'éviter toute utilisation accidentelle des produits réfrigérants conventionnels (R22), ainsi que pour des raisons de sécurité. Par conséquent, procédez à un contrôle préalable. [Le diamètre des filets du port de chargement du R410A est de 1/2-20 UNF.]
- Soyez plus vigilant au fait qu'aucune matière étrangère (huile, eau, etc.) ne pénètre dans la canalisation qu'avec les modèles à produit réfrigérant (R22). Par ailleurs, lors du stockage des canalisations, scellez fermement les ouvertures en les pinçant, taraudant, etc.
- Lors de la charge du réfrigérant, tenir compte de la légère modification de la composition des phases gazeuses et liquides. Veillez toujours à charger à partir de la phase liquide, dont la composition de réfrigérant est stable.

### 2.2. Outils spéciaux pour le R410A

Nom de l'outil	Éléments de la modification
<b>Manomètre de la jauge</b>	La pression est élevée et ne peut être mesurée à l'aide d'une jauge (R22) conventionnelle. Pour éviter tout mauvais mélange avec d'autres produits réfrigérants, le diamètre de chaque port a été modifié. Nous vous recommandons d'utiliser la jauge équipée de joints d'étanchéité de -30 poHg à 768 psi (-0,1 à 5,3 MPa) pour une haute pression. -30 poHg à 551 psi (-0,1 à 3,8 MPa) pour une faible pression.
<b>Tuyau flexible de charge</b>	Pour augmenter la résistance à la pression, le matériel du tuyau flexible et la taille de la base ont été changés.
<b>Pompe à vide</b>	Une pompe à vide conventionnelle peut être utilisée en installant un adaptateur.
<b>Détecteur de fuite de gaz</b>	Détecteur de fuite de gaz spécial pour produit réfrigérant HFC R410A.

#### Tuyaux de cuivre

Il est nécessaire d'utiliser des tuyaux de cuivre sans raccord et il est recommandé que la quantité d'huile résiduelle ne dépasse pas 0,004 oz/100 pi. (40 mg/10 m). N'utilisez pas de canalisations de cuivre comportant des parties écrasées, déformées ou décolorées (en particulier sur la face intérieure). Sinon, des contaminants pourraient venir obstruer la soupape de dilatation ou le tube capillaire.  
Étant donné qu'un climatiseur utilisant le R410A produit une pression plus importante qu'avec le R22, il est nécessaire d'utiliser les matériels appropriés.

#### AVERTISSEMENT

- N'utilisez pas la canalisation et les écrous évasés existants (pour le R22). Si des matériaux existants sont utilisés, la pression à l'intérieur du cycle du produit réfrigérant augmentera et provoquera une panne, des blessures, etc. (Utilisez des matériaux appropriés au R410A.)
- Lors de l'installation et du déplacement du climatiseur, ne mélangez pas des gaz différents du produit réfrigérant spécifié (R410A) pour les faire pénétrer dans le cycle du produit réfrigérant.  
Si de l'air ou un autre gaz pénètre dans le cycle du produit réfrigérant, la pression à l'intérieur de celui-ci augmentera jusqu'à une valeur anormale et pourrait provoquer une panne, des blessures, etc.

### 2.3. Pour le personnel de service agréé uniquement.

#### AVERTISSEMENT

- Pour que le climatiseur fonctionne de façon satisfaisante, installez-le ainsi que décrit dans ce manuel d'installation.
- Afin de connecter l'unité intérieure, l'unité extérieure ou le boîtier de dérivation, utilisez la tuyauterie et les câbles du climatiseur disponibles auprès de votre fournisseur local. Ce manuel d'installation décrit les connexions correctes avec l'utilisation de l'ensemble d'installation disponible auprès de votre fournisseur local.
- Ne mettez pas l'unité sous tension tant que tous les travaux d'installation ne sont pas terminés.

#### ATTENTION

Ce manuel d'installation décrit la procédure d'installation de l'unité intérieure uniquement. Pour installer l'unité extérieure ou la boîte de dérivation, consultez le manuel d'installation fourni avec l'unité extérieure ou la boîte de dérivation.

- Prenez soin de ne pas rayer le climatiseur lorsque vous le manipulez.
- Après l'installation, expliquez au client comment utiliser l'unité correctement à l'aide du mode d'emploi.

### 2.4. Accessoires

Les accessoires d'installation suivants sont fournis. Utilisez-les de la manière requise.

Nom et forme	Qté	Nom et forme	Qté
Mode d'emploi	1	Isolation du tuyau de vidange	1
Manuel d'installation (le présent manuel)	1	Ruban tissu	1
Support du crochet mural	1	Vis autotaraudeuse (grande) (M4 × 25 mm)	8
Télécommande	1	Vis autotaraudeuse (petite) (M3 × 12 mm)	2
Pile	2	Filter d'épuration d'air	2
Support de la télécommande	1	Support de filtre	2

Les articles suivants sont nécessaires à l'installation de ce climatiseur. (Ces articles ne sont pas inclus avec le climatiseur et doivent être achetés séparément.)

Nom	Qté	Nom	Qté
Assemblage du tuyau de raccordement	1	Collerette	1 ensemble
Câble de connexion (à 4 conducteurs)	1	Tuyau de vidange	1
Tuyau mural	1	Vis autotaraudeuses	1 ensemble
Ruban adhésif décoratif	1	Produit d'étanchéité	1
Ruban vinyle	1	Boulon M10, écrou	4 ensembles
Coiffe murale	1		

### 2.5. Matériels supplémentaires nécessaires à l'installation

- Ruban de réfrigération (armé)
- Agrafes ou attaches isolées pour le fil de raccordement (voir vos codes électriques locaux.)
- Mastic
- Produit lubrifiant de réfrigération
- Attaches ou collerettes destinées à sécuriser la tuyauterie de réfrigérant

### 2.6. Pièces en option

Pour l'installation des pièces en option, reportez-vous à chaque manuel d'installation.

Nom des pièces	Modèle n °	Application
Télécommande filaire	*XRNNUM	Pour le fonctionnement du climatiseur
Télécommande simple	*XRSNUM	Pour le fonctionnement du climatiseur
Kit de raccordement externe	RXXWZX	Pour l'installation de pièces en option

### 3. SPÉCIFICATIONS GÉNÉRALES

#### 3.1. Type de tuyau en cuivre et matériel d'isolation



Consultez le manuel d'installation de l'unité extérieure pour obtenir une description de la longueur et de la différence de hauteur autorisées des tuyauteries.

##### Sélection des tailles de tuyau

Les diamètres des tuyaux de raccordement selon la capacité de l'unité intérieure. Consultez la table suivante pour trouver les bons diamètres des tuyaux de raccordement entre l'unité intérieure et l'unité extérieure.

MODÈLE	Diamètre	
	Tuyau de liquide	Tuyau de gaz
Types 18, 24	1/4 po (6,35 mm)	1/2 po (12,70 mm)
Types 30, 36	3/8 po (9,52 mm)	5/8 po (15,88 mm)



Installez une isolation thermique autour des tuyaux de gaz et des tuyaux de liquide. Dans le cas contraire, cela pourrait engendrer des fuites.

Utilisez un isolant thermique avec une résistance à la chaleur supérieure à 248 °F (120 °C). Modèle à inversion de cycle uniquement.

En outre, si le taux hygrométrique des tuyauteries à l'emplacement d'installation du produit réfrigérant est supposé dépasser 70 %, installez un isolant thermique autour de la tuyauterie du produit réfrigérant. Si le taux hygrométrique prévu est de 70 à 80 %, utiliser une isolation thermique d'une épaisseur de 9/16 po (15 mm) ou plus épaisse ; si le taux hygrométrique prévu dépasse 80 %, utilisez une isolation thermique d'une épaisseur de 13/16 po (20 mm).

Si l'isolant thermique utilisé n'est pas aussi épais qu'indiqué, il est possible que de la condensation se forme à la surface de l'isolant. Utilisez également une isolation thermique avec une conductibilité thermique de 0,045 W/(m·K) ou moins (à [68 °F (20 °C)]).

#### 3.2. Spécifications électriques

L'unité intérieure est alimentée par l'unité extérieure. N'alimentez pas l'unité intérieure à partir d'une source d'alimentation distincte.



Consultez les codes locaux pour le type de câble autorisé.

Câble	Taille du câble	Remarques
Câble de connexion	14AWG	3 câbles + terre, 1 ø 208/230 V

Longueur de câble max. : Limite de chute de tension inférieure à 2 %. Augmentez la jauge du câble si la chute de tension est supérieure ou égale à 2 %.

### 4. SÉLECTION DE L'EMPLACEMENT D'INSTALLATION

Décidez de la position d'assemblage avec le client de la manière suivante :

- Installez le niveau de l'unité intérieure sur un mur résistant, n'étant pas sujet aux vibrations.
- Les ports d'entrée et de sortie ne doivent pas être obstrués : l'air doit pouvoir circuler dans toute la salle.
- Installez l'unité sur un circuit de dérivation électrique spécialisé.
- N'installez jamais l'unité dans un endroit où il sera exposé à la lumière directe du soleil.
- Installez l'unité dans un endroit où le raccordement à l'unité extérieure sera facile.
- Installez l'unité dans un endroit où le tuyau d'évacuation pourra être facilement installé.
- Prenez l'entretien courant, etc. en considération et pourvoyez aux espaces représentés dans [5.1. Dimensions de l'installation]. Installez également l'unité de manière à ce que le filtre puisse être retiré.

Un emplacement d'installation initial approprié est important, car il est difficile de déplacer l'unité une fois en place.



Installez le climatiseur à un emplacement capable de supporter une charge d'au moins 3 fois le poids de l'unité principale, et qui n'amplifiera pas le son ou les vibrations. Si l'emplacement pour l'installation n'est pas assez solide, l'unité intérieure pourrait tomber et provoquer des blessures.

Poids minimum supporté (poids de l'unité x 3\*)

93 lb (42 kg)

\*Conformément aux normes UL.

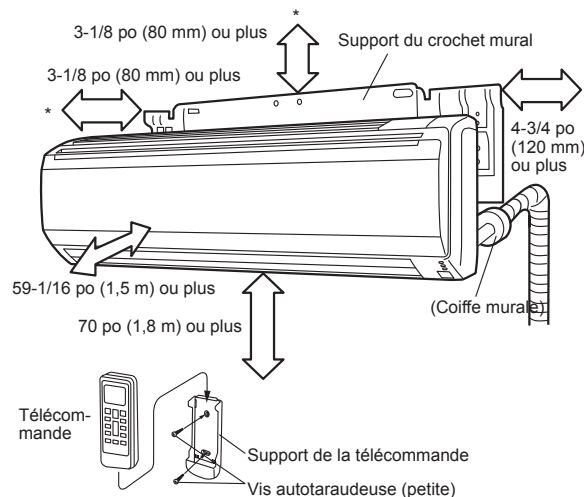


Ne pas installer l'unité dans les zones suivantes :

- Endroits à forte salinité, tel que le bord de la mer. Cela détériorera les pièces métalliques, engendrant une panne des pièces ou des fuites d'eau au niveau de l'unité.
- Un endroit où se trouve de l'huile minérale ou contenant de nombreuses éclaboussures d'huile ou de vapeur, tel qu'une cuisine. Cela détériorera les pièces en plastique, engendrant une panne des pièces et des fuites d'eau au niveau de l'unité.
- Un endroit générant des substances nocives à l'équipement, telles que du gaz sulfurique, du chlore, des gaz acides ou alcalins. Ceci engendrera la corrosion des tuyaux en cuivre et des joints brasés, ce qui peut provoquer la fuite du liquide réfrigérant.
- Un endroit qui pourrait provoquer des fuites de gaz combustible, qui contient des fibres de carbone en suspension ou de la poussière inflammable, ou des produits inflammables volatils tels que des diluants pour peinture ou de l'essence. Toute fuite et décantation de gaz autour de l'unité pourrait engendrer un incendie.
- Un endroit où des animaux peuvent uriner sur l'unité ou où il y a un risque de génération d'ammoniaque.
- N'utilisez pas l'unité à des fins spéciales, telles que l'entreposage des aliments, l'élevage des animaux, la culture des plantes ou la préservation des dispositifs de précision ou des objets d'art. Ceci pourrait dégrader la qualité des objets conservés ou stockés.
- Ne pas installer l'unité dans un endroit où il y a un avertissement de fuite de gaz combustible.
- Ne pas installer l'unité à proximité d'une source de chaleur, de vapeur ou de gaz inflammable.
- Installer l'unité où la vidange ne cause pas de difficulté.
- Installez l'unité intérieure, l'unité extérieure, le boîtier de dérivation, le câble d'alimentation électrique, le câble de transmission et le câble de la télécommande à moins de 40 po (1 m) d'une télévision ou d'un poste récepteur de radio. Ceci dans le but d'éviter toute interférence de réception de la TV ou de bruit radioélectrique. (Même s'ils sont installés à plus de 40 po (1 m), vous devriez encore recevoir du bruit sous certaines conditions de signal.)
- Dans le cas où des enfants de moins de 10 ans approcheraient l'unité, prenez des mesures préventives pour qu'ils ne puissent pas atteindre l'unité.
- Installez l'unité intérieure sur le mur où la hauteur à partir des sols est de plus de 70 po (1,8 m).

### 5. TRAVAIL D'INSTALLATION

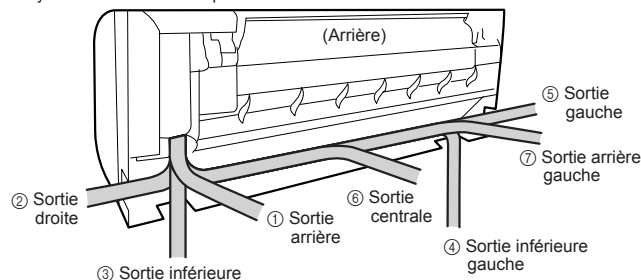
#### 5.1. Dimensions de l'installation



\* Espace depuis le support du crochet mural.

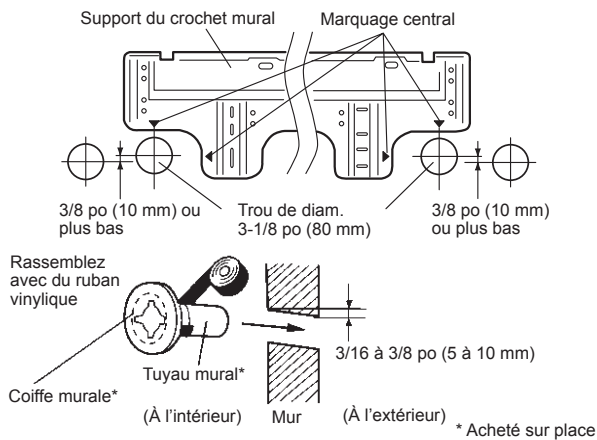
#### 5.2. Direction de la canalisation de l'appareil intérieur

La tuyauterie peut se connecter dans les 7 directions représentées dans la figure suivante. Lorsque la tuyauterie est raccordée dans les directions ②, ③, ④ or ⑤, coupez la gorge de la tuyauterie sur le côté du panneau avant à l'aide d'une scie à métaux.



### 5.3. Découpage du trou dans le mur destiné au raccordement de la canalisation

- (1) Faites un trou de 3-1/8 po (80 mm) de diamètre dans le mur, dans la position représentée dans ce qui suit.
- (2) Découpez l'orifice mural de l'extérieur du support du crochet mural, découpez le trou à un point d'intersection des repères centraux.  
Découpez l'orifice mural de l'extérieur du support du crochet mural à au moins 3/8 po (10 mm) en dessous.
- (3) Faites le trou de manière à ce que l'extrémité extérieure soit plus basse [3/16 à 3/8 po (5 à 10 mm)] que l'extrémité intérieure.
- (4) Toujours aligner le centre du trou mural. En cas de désalignement, il y aura une fuite d'eau.
- (5) Coupez le tuyau mural de manière à ce qu'il corresponde à l'épaisseur de paroi, mettez-le dans la coiffe murale, fixez la coiffe à l'aide de ruban vinylique et faites passer le tuyau à travers le trou.
- (6) Pour tuyauterie de gauche et la tuyauterie de droite, couper le trou un peu plus bas, afin que l'eau de vidange s'écoule librement.

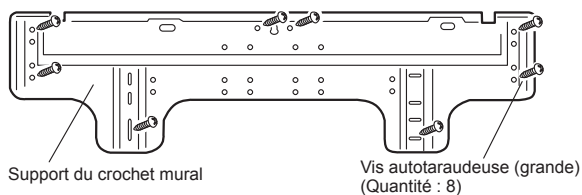


#### ⚠ Avertissement

Utilisez toujours le tuyau mural. Si le tuyau mural n'est pas utilisé, le câble qui est connecté entre l'unité intérieure et l'unité extérieure peut toucher du métal et provoquer une décharge électrique.

### 5.4. Installation du support du crochet mural

- (1) Installez le support du crochet mural de manière à ce qu'il soit correctement positionné à l'horizontale et à la verticale. Si le support du crochet mural est incliné, l'eau gouttera sur le sol.
  - (2) Installez le support du crochet mural de manière à ce que sa résistance soit suffisante pour supporter le poids de l'unité.
- Fixez le support du crochet mural au mur à l'aide de 6 vis ou plus, à travers les trous situés sur le coin extérieur du support.
  - Vérifiez qu'il n'y a pas de cliquetis au niveau du support du crochet mural.



#### ⚠ Attention

Installez le support de crochet mural aligné à la fois horizontalement et verticalement. Une installation mal alignée peut provoquer des fuites d'eau.

### 5.5. Formation du tuyau d'évacuation et de la canalisation

#### [Tuyauterie arrière, tuyauterie de droite, tuyauterie inférieure]

- Installez la tuyauterie de l'unité intérieure dans la direction du trou mural et reliez le tuyau de vidange et la tuyauterie à l'aide de ruban vinylique.
- Installez la tuyauterie de manière à ce que le tuyau de vidange soit en bas.
- Enveloppez les tuyaux de l'unité intérieure qui sont visibles de l'extérieur avec du ruban adhésif décoratif.

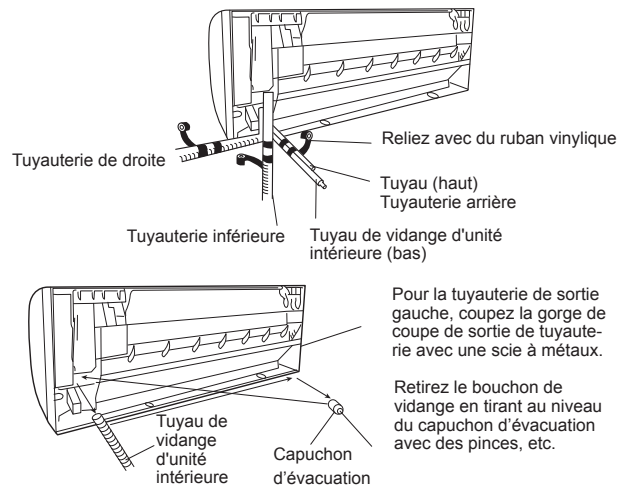
#### [Pour tuyauterie arrière gauche, tuyauterie gauche]

Interchangez le capuchon d'évacuation et le tuyau de vidange.

#### ⚠ Attention

- Insérez le tuyau de vidange et le capuchon d'évacuation fermement. L'évacuation devrait être en pente pour éviter des fuites d'eau.
  - Au moment de l'insertion, assurez-vous de ne pas attacher l'un des matériels à proximité de l'eau. Si tout autre matériel est attaché, ceci engendrera une détérioration et une fuite d'eau.
  - Après avoir retiré le tuyau de vidange, assurez-vous de ne pas oublier de monter le capuchon d'évacuation.
  - Assurez-vous de fixer le tuyau de vidange à l'aide d'un ruban adhésif au bas de la tuyauterie.
  - Empêchez le gel de l'eau d'évacuation dans un milieu à basses températures.
- Lors de l'installation à l'extérieur du tuyau de vidange de l'unité intérieure, prenez les mesures nécessaires à la protection antigel afin d'empêcher le gel de l'eau d'évacuation. Dans un environnement à basse température (lorsque la température extérieure est sous 32 °F (0 °C)), après la mise en œuvre d'une opération de refroidissement, l'eau dans le tuyau de vidange peut être gelée. Une fois gelée, le tuyau de vidange sera obstrué, ce qui pourra engendrer une fuite d'eau au niveau de l'unité intérieure.

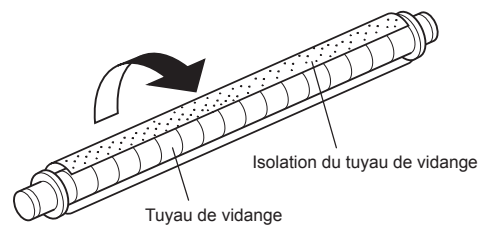
### Méthode d'installation du capuchon d'évacuation



#### ⚠ Attention

Insérez le tuyau d'évacuation et le capuchon d'évacuation dans le port d'évacuation, en s'assurant qu'ils entrent bien en contact avec l'arrière du port d'évacuation puis assemblez-le. Si le tuyau d'évacuation n'est pas correctement raccordé, cela engendrera une fuite.

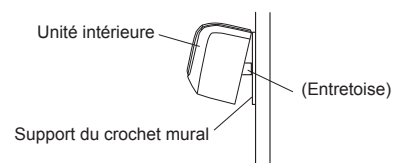
- Fixez l'isolation du tuyau de vidange au tuyau de vidange.



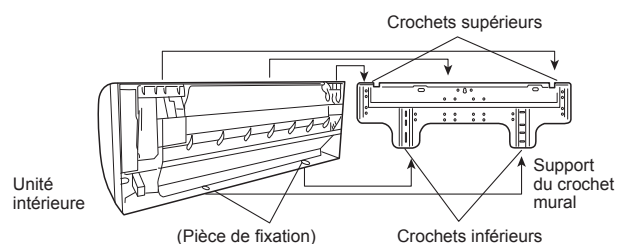
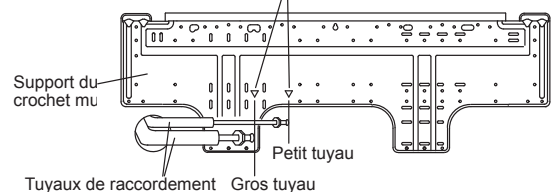
- Pour la tuyauterie gauche et la tuyauterie arrière gauche, alignez les marques sur le support du crochet mural et formez le tuyau de raccordement.
- Pliez la tuyauterie de raccordement à un rayon de courbure de 3-15/16 po (100 mm) ou plus et installez-le à une distance maximale de 1-3/8 po (35 mm) du mur.
- Après avoir fait passer la tuyauterie intérieure et le tuyau de vidange à travers le trou mural, accrochez l'unité intérieure sur les crochets en haut et en bas du support du crochet mural.

#### [Installation de l'unité intérieure]

- Accrochez l'unité intérieure sur les crochets en haut du support du crochet mural.
- Insérez l'entretoise, etc. entre l'unité intérieure et le support du crochet mural et écartez la partie inférieure de l'unité intérieure du mur.



#### Repères d'alignement



Après avoir accroché l'unité intérieure sur le crochet supérieur, accrochez l'unité intérieure sur les 2 crochets inférieurs aux endroits correspondants tout en abaissant l'unité et en la poussant contre le mur.



## 5.6. Raccordement de l'évasement (raccordement des tuyaux)

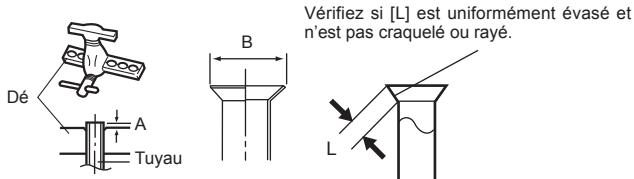
### ATTENTION

Serrez les écrous évasés à l'aide d'une clé dynamométrique selon la méthode de serrage spécifiée. Dans le cas contraire, les écrous évasés pourraient se casser après une longue période, engendrant la fuite du produit réfrigérant et générant un gaz dangereux, si le produit réfrigérant venait à entrer en contact avec une flamme.

#### 5.6.1. Évasement

Utilisez un coupe-tuyau spécial et l'outil d'évasement exclusif au R410A.

- (1) Coupez le tuyau de raccordement à la longueur nécessaire à l'aide d'un coupe-tuyau.
- (2) Maintenez le tuyau vers le bas, de manière à ce que les découpages n'entrent pas dans le tuyau et retirez toute bavure.
- (3) Insérez l'écrou évasé [toujours utiliser l'écrou évasé fixé respectivement à la ou aux unités intérieures et unités extérieures] dans le tuyau et procédez à l'évasement à l'aide de l'outil d'évasement. Utilisez l'outil d'évasement spécialement conçu pour le R410A ou un outil d'évasement conventionnel. Des fuites de réfrigérant pourraient se produire si des écrous évasés différents sont utilisés.
- (4) Protégez les tuyaux en les pinçant ou à l'aide du ruban adhésif pour éviter que la poussière, la saleté ou l'eau ne pénètrent dans les tuyaux.



Diamètre extérieur du tuyau [po (mm)]	Dimension A [po (mm)]	Dimension B [po (mm)]
	Outil d'évasement pour R410A, type à griffes	
1/4 (6,35)	0 à 0,020 (0 à 0,5)	3/8 (9,1)
3/8 (9,52)		1/2 (13,2)
1/2 (12,70)		5/8 (16,6)
5/8 (15,88)		3/4 (19,7)
3/4 (19,05)		15/16 (24,0)

En utilisant les outils d'évasement conventionnels sur les tuyaux évasés du R410A, afin d'obtenir l'évasement spécifié, la dimension A doit être d'environ 0,020 po (0,5 mm) supérieure à la dimension indiquée dans le tableau (pour un évasement avec les outils d'évasement spécifiques au R410A). Utilisez une jauge d'épaisseur pour mesurer la dimension A.

Diamètre extérieur du tuyau [po (mm)]	Cote sur plat de l'écrou évasé [po (mm)]
1/4 (6,35)	11/16 (17)
3/8 (9,52)	7/8 (22)
1/2 (12,70)	1 (26)
5/8 (15,88)	1-1/8 (29)
3/4 (19,05)	1-7/16 (36)

#### 5.6.2. Cintrage des tuyaux

- Si les tuyaux sont formés à la main, veillez à ne pas les affaïsser.
- Ne pas plier les tuyaux à un angle supérieur à 90°.
- Lorsque les tuyaux sont pliés ou étirés de manière répétée, le matériel se durcira, ce qui rendra difficile tout futur pliage ou étirement.
- Ne pas plier ou étirer les tuyaux plus de 3 fois.

### ATTENTION

- Afin d'éviter de casser le tuyau, évitez les coudes à petit rayon.
- Si le tuyau est plié de manière répétée au même endroit, il se cassera.

#### 5.6.3. Raccordement des tuyaux

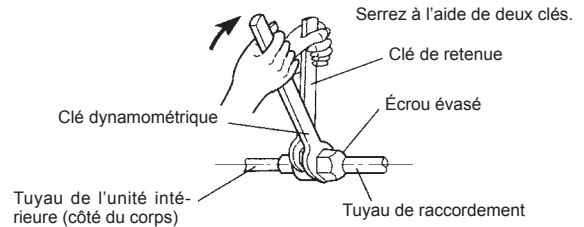
### ATTENTION

- Assurez-vous d'installer correctement la tuyauterie contre le port de l'unité intérieure. Si le centrage n'est pas correct, l'écrou évasé ne pourra être serré facilement. Si vous forcez pour tourner l'écrou évasé, le filetage sera endommagé.
- Retirez l'écrou évasé du tuyau de l'unité intérieure juste avant de raccorder le tuyau de raccordement.
- Maintenez la clé dynamométrique au niveau de sa poignée, en la gardant perpendiculaire au tuyau, afin de pouvoir serrer l'écrou évasé correctement.
- Serrez les écrous évasés à l'aide d'une clé dynamométrique selon la méthode de serrage spécifiée. Dans le cas contraire, les écrous évasés pourraient se casser après une longue période, engendrant la fuite du produit réfrigérant et générant un gaz dangereux, si le produit réfrigérant venait à entrer en contact avec une flamme.

### ATTENTION

- Raccordez la tuyauterie de manière à ce que le couvercle du boîtier de commande puisse être facilement retiré pour l'entretien courant, si nécessaire.
- Afin d'éviter toute fuite dans le boîtier de commande, assurez-vous de la bonne isolation de la tuyauterie.

Après avoir serré l'écrou évasé correctement à la main, maintenez l'accouplement latéral du coffret à l'aide d'une autre clé, puis serrez avec une clé dynamométrique. (Voir le tableau suivant pour les couples de serrage de l'écrou évasé).



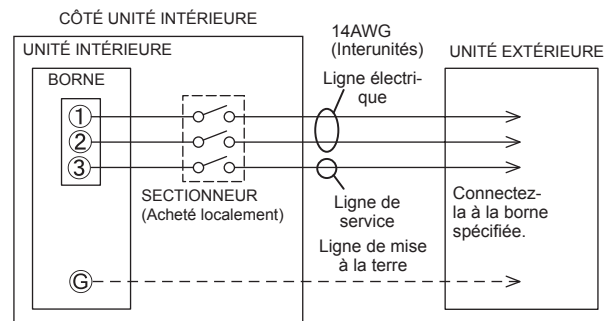
Écrou évasé [po (mm)]	Couple de serrage [lb pi (N m)]
1/4 (6,35) dia.	11,8 à 13,3 (16 à 18)
3/8 (9,52) dia.	23,6 à 31,0 (32 à 42)
1/2 (12,70) dia.	36,1 à 45,0 (49 à 61)
5/8 (15,88) dia.	46,5 à 55,3 (63 à 75)
3/4 (19,05) dia.	66,4 à 81,1 (90 à 110)

## 6. CÂBLAGE ÉLECTRIQUE

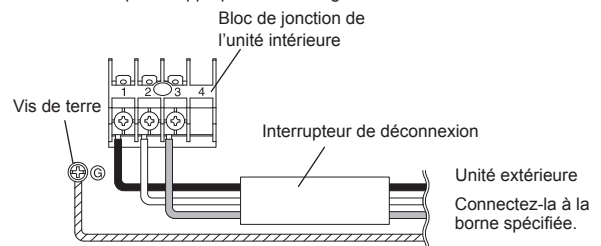
### 6.1. Schéma du système de câblage

### AVERTISSEMENT

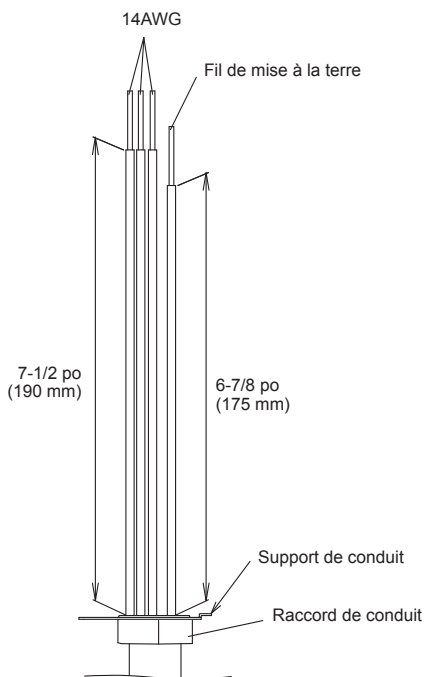
- Avant de connecter les fils, assurez-vous que l'alimentation est sur OFF (coupée).
- Tous les fils doivent être fermement connectés.
- Aucun fil ne devrait pouvoir toucher la tubulure de réfrigérant, le compresseur ou les pièces mobiles.
- Un câblage lâche peut amener la surchauffe de la borne ou avoir pour résultat le fonctionnement défectueux de l'unité. Il y a également un risque d'incendie. Assurez-vous donc que tout le câblage est solidement connecté.
- Connecter les fils aux numéros correspondants des bornes.



Débrancher le commutateur - acheté localement si requis par le code local. Sélectionnez un sectionneur de capacité appropriée à la charge.

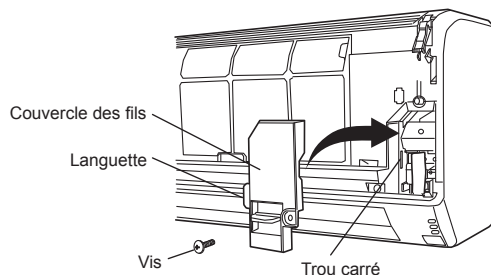
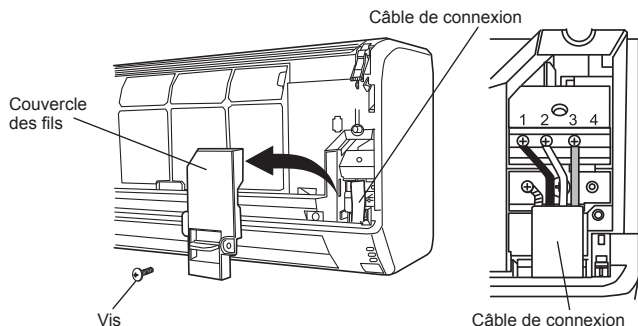
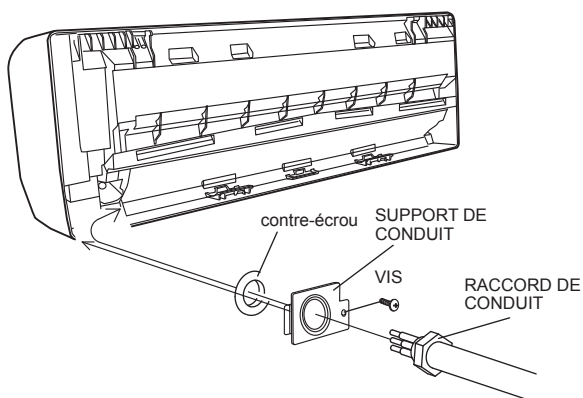


• Pour connecter correctement les fils de l'unité intérieure sur la borne, reportez-vous à la figure pour une longueur appropriée.



## 6.2. Comme installer le câble de connexion

1. Retirez les vis, puis retirez le support de conduit.
2. Fixez le câble de connexion au support de conduit à l'aide de l'écrou de blocage.  
**IMPORTANT :** Reportez-vous à la figure de l'unité intérieure pour la longueur du faisceau de fils de l'unité intérieure.
3. Utilisez les vis pour installer le support de conduit fourni avec l'unité intérieure.
4. Retirez la vis pour retirer le couvercle des fils.
5. Raccordez le câble de connexion à la borne.  
Reportez-vous au schéma de câblage et « Comment connecter les fils aux bornes ».
6. Utilisez la vis pour réinstaller le couvercle des fils.



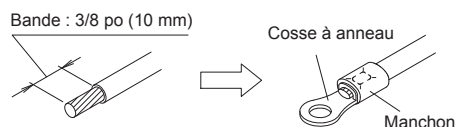
Insérez la languette dans le trou carré de l'unité intérieure et fixez-la avec une vis.

## 6.3. Comment connecter le câblage aux bornes

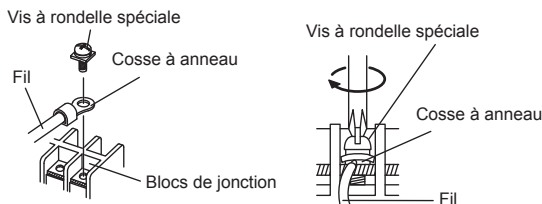
### Précautions à prendre lors du câblage

Utilisez toujours un outil spécial, tel qu'un outil à dénuder, pour retirer l'isolant du fil de sortie. Aucun outil spécifique n'est disponible dans le commerce, retirez avec précautions l'isolant avec un couteau, etc.

- (1) Utilisez des cosses à anneau avec des manchons isolants, tel que représenté dans l'illustration ci-dessous, pour les connecter au bloc de jonction.
- (2) Fixez solidement les cosses à anneau aux fils, à l'aide d'un outil approprié, de manière à ce que ces derniers ne soient pas lâches.



- (3) En utilisant les fils spécifiés, connectez-les solidement, et fixez-les de manière à ce que les bornes ne subissent aucune contrainte.
- (4) Utilisez le tournevis qui convient pour serrer les vis-bornes. Ne pas utiliser un tournevis trop petit, autrement, les têtes de vis pourraient s'endommager et il se pourrait qu'elles ne soient pas correctement serrées.
- (5) Ne pas trop serrer les vis-bornes, car cela pourrait les casser.



- (6) Se reporter au tableau ci-dessous pour les couples de serrage des vis-bornes.

Couple de serrage [lbf po (N m)]	
Vis M4	11 à 16 (1,2 à 1,8)

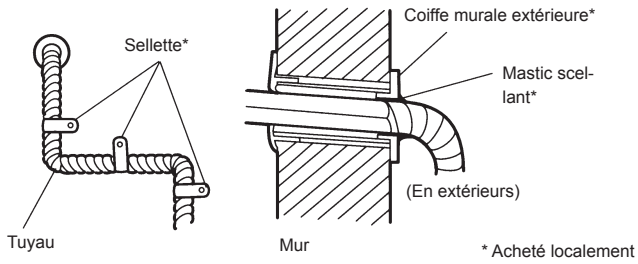
### ⚠ ATTENTION

- Fixez le serre-câble fermement en tenant le câble de connexion et assurez-vous que le collier est fixé correctement. Une fixation insuffisante du serre-câble peut provoquer un fonctionnement défectueux du panneau ouvert.
- Faites correspondre les numéros de bloc de jonction et les couleurs de câble de connexion avec ceux de l'unité extérieure ou du boîtier de dérivation. Un mauvais câblage pourrait engendrer la brûlure des pièces électriques.
- Connectez fermement les câbles de connexion au bloc de jonction. Un incendie pourrait survenir si l'installation n'est pas parfaite.
- Fixez toujours la couverture extérieure du câble de connexion avec le serre-câble. (Si l'isolateur est écorché, il y a risque de décharge électrique.)
- Connectez toujours le fil de terre.
- N'utilisez pas la vis de terre de l'unité intérieure pour une connexion autre que celle de l'unité extérieure spécifiée.

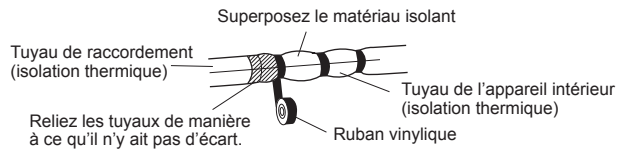
## 7. FINITION

- (1) Isolation entre les tuyaux.
  - Isolez les tuyaux d'aspiration et d'évacuation séparément.
  - Pour les tuyauteries arrière, droite et inférieure, superposez l'isolant thermique du tuyau de raccordement et celui de tuyau de l'unité intérieure et reliez-les à l'aide de ruban vinyle de manière à ce qu'il n'y ait pas d'espace.
  - Pour les tuyauteries gauche et arrière gauche, abotez l'isolant thermique du tuyau de raccordement avec celui de tuyau de l'unité intérieure et reliez-les à l'aide de ruban vinyle de manière à ce qu'il n'y ait pas d'espace.
  - Pour les tuyauteries gauche et arrière gauche, enveloppez la zone qui héberge la section de logement de la tuyauterie arrière avec du ruban tissu.
  - Pour les tuyauteries gauche et arrière gauche, reliez le câble de connexion à la partie supérieure du tuyau à l'aide de ruban vinyle.
  - Pour les tuyauteries gauche et arrière gauche, groupez la tuyauterie et le tuyau de vidange ensemble en les enveloppant avec du ruban tissu au-dessus de l'intérieur de la plage à laquelle ils se montent dans la section de stockage de la tuyauterie arrière.

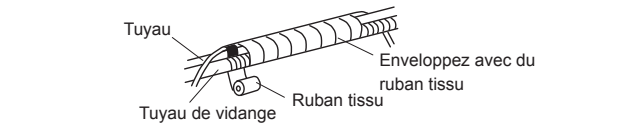
- Fixez temporairement le câble de connexion le long du tuyau de raccordement à l'aide de ruban vinylique. (Enveloppez à environ 1/3 de la largeur du ruban à partir de la partie inférieure du tuyau de manière à éviter la pénétration d'eau.)
- Fixez le tuyau de raccordement au mur extérieur à l'aide d'une collerette, etc.
- Remplissez l'espace entre le trou du tuyau du mur extérieur et le tuyau à l'aide d'un colmatant de manière à ce que l'eau de pluie et le vent ne puissent pénétrer.
- Fixez le tuyau de vidange au mur extérieur, etc.



\* Acheté localement



Reliez les tuyaux de manière à ce qu'il n'y ait pas d'écart.

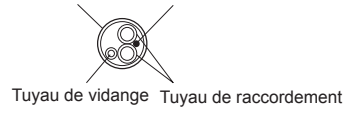
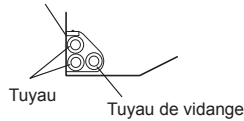


#### Tuyauterie de gauche

Câble de connexion

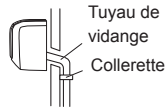
#### Pour raccordement à gauche, à l'arrière

Tuyau mural Câble de connexion

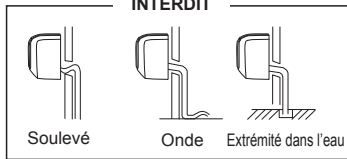


Vérifiez les points suivants :

**BON**



**INTERDIT**



## 8. RETRAIT ET INSTALLATION DU PANNEAU AVANT

### 8.1. Retrait de la grille d'admission

- Ouvrez la grille d'admission.
- Tirez le bouton vers le bas.
- Soulevez la grille d'admission vers le haut, jusqu'au retrait de l'axe, situé en haut de la grille d'admission.

### 8.2. Installation de la grille d'admission

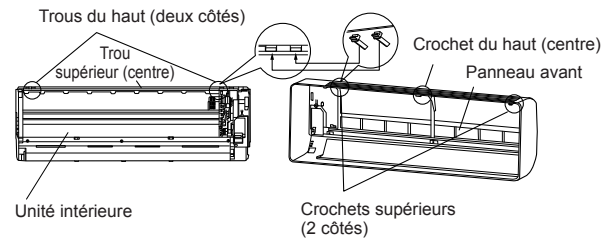
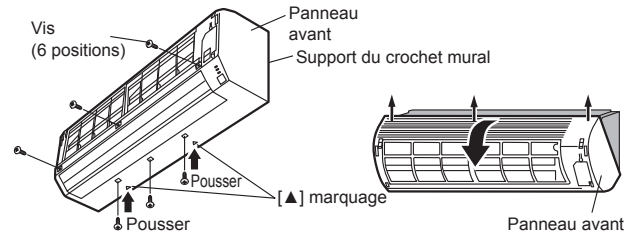
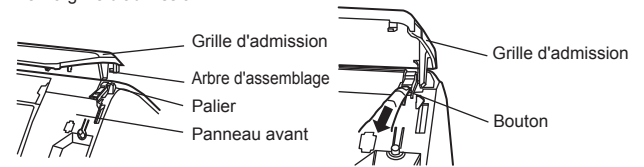
- L'axe de fixation de la grille d'admission est installé sur le panneau.
- Posez la grille d'admission.

### 8.3. Retrait du panneau avant

- Retirez la grille d'admission (référez-vous au retrait de la grille d'admission.)
- Retirez les 6 vis.
- Le pouce est accroché sur la partie inférieure, comme illustré dans la figure et il tire vers l'avant, poussant la marquage [▲] et les crochets du fond (2 positions) sont retirés du support de crochet mural.
- Tirez le panneau avant vers l'avant en soulevant la surface supérieure. Le panneau avant se retire.

## 8.4. Installation du panneau avant

- Positionnez tout d'abord la partie inférieure du panneau avant, puis insérez les crochets supérieurs et inférieurs. (3 côtés supérieurs)
- Fixez les 6 vis.
- Fixez la grille d'admission.



### ATTENTION

Installez le panneau avant et la grille d'admission en toute sécurité. Si l'installation est imparfaite, le panneau avant ou la grille d'admission peuvent tomber et causer des blessures.

## 9. INSTALLATION DE LA TÉLÉCOMMANDE

- Vérifiez si l'unité intérieure reçoit correctement le signal de la télécommande, puis installez le support de la télécommande.

### ATTENTION

Sélectionnez l'emplacement le site de sélection du support de la télécommande en faisant attention à ce qui suit :

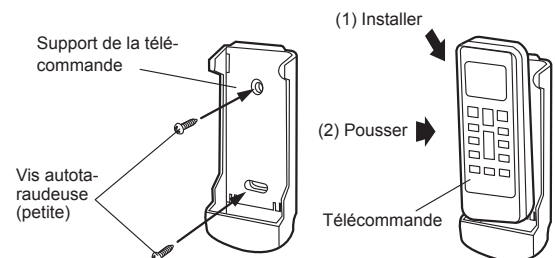
- Éviter les endroits exposés à la lumière directe du soleil.
- Choisissez un endroit qui ne sera pas affecté par la chaleur d'un poêle, etc.

### 9.1. Installation du support de la télécommande

- Installer la télécommande à une distance maximale de 22 pi (7 m) du récepteur de la télécommande. Cependant, lors de l'installation de la télécommande, vérifiez si elle fonctionne correctement.
- Installez le support de la télécommande sur un mur, pilier, etc. à l'aide de la vis autota- raudeuse.

#### Fixation du support de télécommande

#### montage de la télécommande



## 10. INSTALLATION DE KIT EN OPTION

Ce climatiseur peut être connecté à l'aide des kits optionnels suivants.

- Télécommande filaire
- Télécommande simple
- Kit de connexion externe

### ATTENTION

- Avant l'installation, assurez-vous de déconnecter toute l'alimentation électrique.
- Ne touchez pas l'échangeur de chaleur.
- Lors de l'installation ou du retrait de pièces du climatiseur, assurez-vous que le fil n'est pas coincé par une quelconque pièce ou tiré avec force. Cela risquerait d'endommager ou de causer un fonctionnement défectueux du climatiseur.
- Éviter les endroits exposés à la lumière directe du soleil.
- Choisissez un endroit qui ne sera pas affecté par la chaleur d'un poêle, etc.
- Avant de régler le kit optionnel, veuillez confirmer si le climatiseur peut recevoir le signal.
- Ne raccordez pas la télécommande filaire à la borne d'alimentation.
- Lors de la connexion de la télécommande filaire avec l'unité intérieure, veuillez utiliser le câble de connexion (fourni avec la télécommande filaire ou une télécommande simple).
- La longueur du câble de télécommande filaire recommandée est de 32 pi (10 m). Veuillez à effectuer l'isolation des pièces de raccordement lors du rallongement du câble.

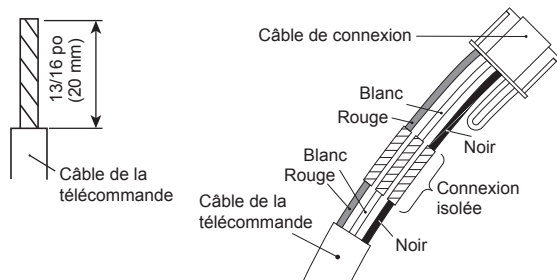
### 10.1. Avant d'installer la télécommande filaire

- Lorsque vous utilisez une télécommande filaire, il est possible que certaines fonctions ne soient pas utilisées.

### 10.2. Modification du câblage de la télécommande

- (1) Utilisez un outil pour couper la borne sur l'extrémité du câble de la télécommande et ensuite retirez l'isolation de l'extrémité coupée du câble.
- (2) Fixez le câble de la télécommande et le câble de connexion..  
(fourni avec la télécommande filaire)

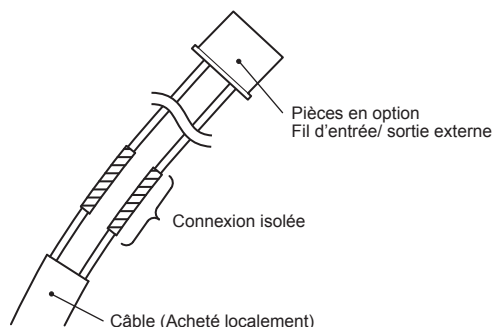
**Important :** Assurez-vous d'isoler la connexion entre les fils.



### 10.3. Modification du fil d'entrée/sortie externe

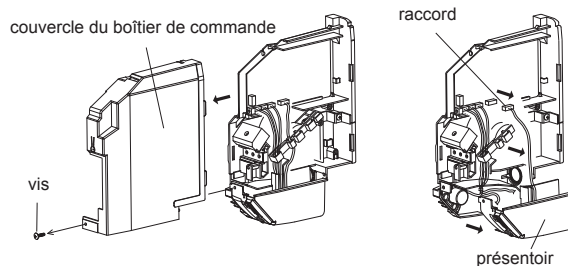
- (1) Retirez l'isolant du câble attaché au connecteur du kit de fils. Retirez l'isolant du câble acheté localement. Utilisez un connecteur à contact isolé de type serti pour relier le câble fourni sur site et le fil du kit de fil.
- (2) Branchez le fil et fil acheté localement.  
(fourni avec le kit de connexion externe)

**Important :** N'oubliez pas de souder les fils à connecter. Assurez-vous d'isoler la connexion entre les fils.



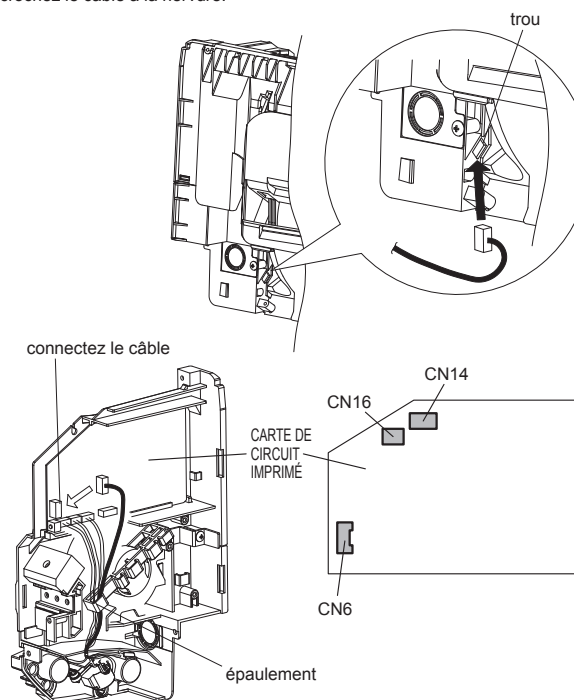
### 10.4. Retrait du panneau avant, du couvercle du boîtier de commande et du présentoir

- (1) Reportez-vous à « DÉPOSE, REPOSE ET INSTALLATION DU PANNEAU AVANT » pour retirer le panneau avant.
- (2) Retirez la vis, puis retirez le couvercle du boîtier de commande.
- (3) Retirez le présentoir et le raccord.



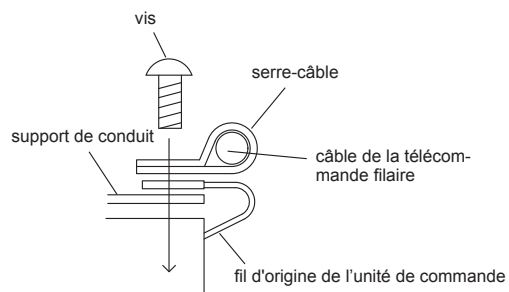
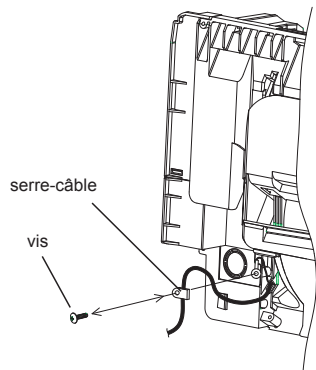
### 10.5. Connecter le câble au connecteur du tableau de commande

- (1) Passez le câble par le trou à l'arrière de l'unité intérieure.
- (2) Connectez le câble au connecteur du tableau de commande.
- (3) Accrochez le câble à la nervure.

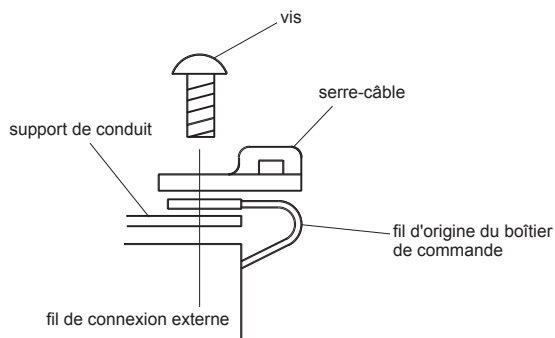
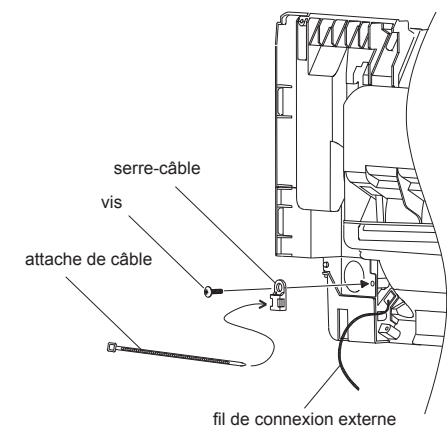


Type d'option	Connecteur N°
Télécommande filaire Télécommande simple	CN6
Entrée externe	CN14
Sortie externe	CN16

(4) Utilisez le serre-câble et la vis pour fixer le câble de la télécommande filaire.



(5) Fixer le collier d'attache de câble avec la vis et lier le fil du kit externe avec l'attache de câble.



## 10.6. Retrait du panneau avant, du couvercle du boîtier de commande et du présentoir

Installez le panneau avant, le couvercle du boîtier de commande et le présentoir dans le sens inverse des procédures mentionnées dans la section 10.4. Retrait du panneau avant, du couvercle du boîtier de commande et du présentoir

## 11. RÉGLAGE DES FONCTIONS

Après la mise sous tension, procédez au réglage des fonctions en fonction des conditions d'installation à l'aide de la télécommande.

### ⚠ ATTENTION

- Assurez-vous que le travail de câblage de l'unité extérieure ou le boîtier de dérivation est fini.
- Confirmez que le couvercle de la gaine électrique sur l'unité extérieure est en place.

- Cette procédure permet de changer les réglages des fonctions utilisées pour commander l'unité intérieure en fonction des conditions d'installation. Des réglages incorrects peuvent entraîner un fonctionnement défectueux de l'unité intérieure.
- Après la mise sous tension, procédez au réglage des fonctions en fonction des conditions d'installation à l'aide de la télécommande.
- Les réglages peuvent être sélectionnés entre les deux suivants : numéro de fonction ou valeur de réglage.
- Les réglages ne changeront pas si les numéros ou les valeurs d'ajustement que vous choisissez ne sont pas valides.
- Reportez-vous au manuel d'installation fourni avec le contrôleur à distance lorsque la télécommande filaire (option) est utilisée.

### Saisie du mode de réglage des fonctions

Tout en appuyant sur le bouton « FAN » (VENTILATEUR) et « SET TEMP » (RÉGLAGE TEMPÉRATURE). (▲) simultanément, appuyez sur le bouton « RESET » (RÉINITIALISATION) pour entrer dans le mode de réglage des fonctions.

#### ÉTAPE 1

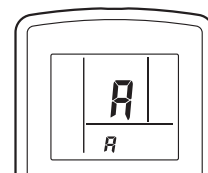
##### Sélection du code personnalisé de la télécommande

Suivez les étapes suivantes pour sélectionner le code personnalisé de la télécommande. (Notez que le climatiseur ne peut pas recevoir un signal si le climatiseur n'a pas été réglé pour le code personnalisé correspondant.)

Les codes personnalisés qui sont définis dans le cadre de ce processus ne s'appliquent qu'aux signaux dans le réglage des fonctions. Pour plus de détails sur la manière de définir les codes personnalisés à travers le processus normal, reportez-vous à code personnalisé de la télécommande.

① Appuyez sur « SET TEMP » (RÉGLAGE TEMPÉRATURE).

(▲) (▼) le bouton pour modifier le code personnalisé entre A ↔ B ↔ C ↔ D. Veillez à sélectionner le code correspondant au code personnalisé affiché sur le climatiseur (initialement réglé sur A) (si le code personnalisé n'a pas besoin d'être sélectionné, appuyez sur le bouton « MODE » et passez à l'étape 2.)



② Appuyez sur le bouton « TIMER MODE » (MODE MINUTERIE) et vérifiez que l'unité intérieure peut recevoir des signaux au code personnalisé affiché.

③ Appuyez sur le bouton « MODE » pour accepter le code personnalisé, et passez à l'étape 2.

#### ÉTAPE 2

##### Sélection du numéro de fonction et de la valeur de réglage

① Appuyez le « SET TEMP » (RÉGLAGE TEMPÉRATURE) boutons (▲) (▼) pour sélectionner le numéro de fonction.

(Appuyez sur le bouton « MODE » pour basculer entre la gauche et la droite des chiffres.)

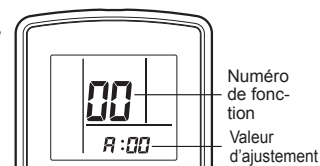
② Appuyez sur le bouton « FAN » (VENTILATEUR) pour continuer le réglage de la valeur. (Pressez à nouveau le bouton « FAN » (VENTILATEUR) pour retourner à la sélection du numéro de fonction.)

③ Appuyez sur les boutons « SET TEMP » (RÉGLAGE TEMPÉRATURE) (▲) (▼) pour sélectionner la valeur de réglage.

(Appuyez sur le bouton « MODE » pour basculer entre la gauche et la droite des chiffres.)

④ Appuyez sur le bouton « TIMER MODE » (MODE MINUTERIE), et le bouton « START/STOP » (MARCHÉ/ARRÊT), dans l'ordre indiqué pour confirmer les réglages.

⑤ Appuyez sur le bouton « RESET » (RÉINITIALISATION) pour annuler le mode de réglage des fonctions.



⑥ Après avoir fini le réglage des fonctions, assurez-vous de couper et de restaurer le courant à nouveau.

### ⚠ ATTENTION

Après avoir coupé le courant, attendez au moins 30 secondes avant de le remettre en route. Le réglage des fonctions ne devient actif que si l'alimentation est éteinte puis remise en route.

## 11.1. Détail des fonctions

### Signe du filtre

Sélectionnez des intervalles appropriés pour afficher le signe filtre sur l'unité intérieure selon le montant estimé de la poussière dans l'air de la salle.

Si l'indication n'est pas requise, sélectionnez « Aucune indication » (03).

(◆... Réglage d'usine)

Numéro de fonction	Valeur d'ajustement	Description du réglage
11	00	Standard (400 heures)
	01	Long intervalle (1000 heures)
	02	Intervalle court (200 heures)
	03	Pas d'indication

### Redémarrage automatique

Activez ou désactivez le redémarrage automatique du système après une interruption de courant.

(◆... Réglage d'usine)

Numéro de fonction	Valeur d'ajustement	Description du réglage
40	00	Activez
	01	Désactivez

\* Le redémarrage automatique est une fonction d'urgence comme pour une coupure de courant, etc. Ne tentez pas d'utiliser cette fonction en fonctionnement normal. Veillez à utiliser l'unité avec la télécommande ou un dispositif externe.

### Commutation du capteur de température de la salle

(Uniquement pour la télécommande filaire)

Lorsque vous utilisez le capteur de température de la télécommande filaire, changez le réglage sur « les deux » (01).

(◆... Réglage d'usine)

Numéro de fonction	Valeur d'ajustement	Description du réglage
42	00	Unité intérieure
	01	Les deux

00 : Le capteur sur l'unité intérieure est actif.

01 : Les capteurs sur à la fois l'unité intérieure et la télécommande filaire sont actifs.

\* Le capteur de la télécommande doit être mis en marche à l'aide de la télécommande

### Code personnalisé de la télécommande

(Uniquement pour la télécommande sans fil)

Le code personnalisé de l'unité intérieure peut être changé.

Sélectionnez le code personnalisé approprié.

(◆... Réglage d'usine)

Numéro de fonction	Valeur d'ajustement	Description du réglage
44	00	A
	01	B
	02	C
	03	D

### Commande de saisie externe

Le mode « fonctionnement/arrêt » ou « arrêt forcé » peut être sélectionné.

(◆... Réglage d'usine)

Numéro de fonction	Valeur d'ajustement	Description du réglage
46	00	Mode Fonctionnement/Arrêt
	01	(Réglage interdit)
	02	Mode arrêt forcé

### Commutation du capteur de température de la salle (aux.)

Pour utiliser le capteur de température sur la télécommande filaire uniquement, changez le réglage pour « télécommande filaire » (01). Cette fonction fonctionne uniquement si le réglage de fonction 42 est réglé sur « les deux » (01).

(◆... Réglage d'usine)

Numéro de fonction	Valeur d'ajustement	Description du réglage
48	00	Les deux
	01	Télécommande filaire

### Commande du ventilateur de l'unité intérieure pour économie d'énergie pour le refroidissement

Active ou désactive la fonction d'économie d'énergie en contrôlant la rotation du ventilateur de l'unité intérieure lorsque l'unité extérieure est arrêtée pendant le fonctionnement du refroidissement.

(◆... Réglage d'usine)

Numéro de fonction	Valeur d'ajustement	Description du réglage
49	00	Désactivez
	01	Activez

00 : Lorsque l'unité extérieure est arrêtée, le ventilateur de l'unité intérieure fonctionne en permanence après le réglage sur la télécommande.

01 : Lorsque l'unité extérieure est arrêtée, le ventilateur de l'unité intérieure fonctionne par intermittence à une vitesse très lente.

## Enregistrement du réglage

Enregistrez toute modification des réglages dans le tableau suivant.

Description du réglage	Valeur d'ajustement
Signe du filtre	
Redémarrage automatique	
Commutation du capteur de température de la salle	
Code personnalisé de la télécommande	
Commande de saisie externe	
Commutation du capteur de température de la salle (aux.)	
Commande du ventilateur de l'unité intérieure pour économie d'énergie pour le refroidissement	

Après avoir fini le Réglage des fonctions, assurez-vous de couper et de restaurer le courant à nouveau.

## 11.2. Correction de la température

### REMARQUE :

Lorsque vous modifiez la fonction 95, effectuez ce réglage avant les autres réglages de contrôle de la température ambiante (fonction 30, 31, 92, 93).

Si la Fonction 95 n'est pas réglée en premier, les réglages de contrôle de la température ambiante (fonction 30, 31, 92, 93) seront réinitialisés et vous devrez les configurer de nouveau.

### Conditions d'isolation thermique (isolation du bâtiment)

Les conditions d'isolation thermique diffèrent selon l'environnement d'installation.

« L'isolation standard » (00) permet au système de répondre rapidement aux changements de charges de refroidissement ou de chauffage.

« L'isolation élevée » (01) signifie que la structure d'isolation thermique du bâtiment est élevée et ne requiert pas que le système réponde rapidement aux changements de charges de refroidissement ou de chauffage.

Si « l'isolation élevée » (01) est sélectionnée ;

- Surchauffe (surrefroidissement) empêchée au démarrage.
- Tous les réglages de contrôle de la température ambiante (fonction 30, 31, 92, 93) seront réinitialisés sur Aucune correction [0,0°F (0,0°C)].

(◆... Réglage d'usine)

Numéro de fonction	Valeur d'ajustement	Description du réglage
95	00	L'isolation standard
	01	L'isolation élevée

### Contrôle de la température ambiante pour le capteur de l'unité intérieure

Selon l'environnement d'installation, une correction du capteur de température de la salle peut être nécessaire.

Sélectionnez le réglage de contrôle approprié en fonction de l'environnement d'installation. Les valeurs de correction de température montrent la différence à partir du réglage standard « 00 » (valeur recommandée par le fabricant).

\* Lorsque la fonction 95-01 (Isolation élevée) est réglée, le réglage standard « 00 » sera identique à « Aucune correction » (01) [0,0 °F (0,0 °C)].

(◆... Réglage d'usine)

Numéro de fonction	Valeur d'ajustement	Description du réglage	
30 (Pour le refroidissement)	31 (Pour le chauffage)	00	Réglage standard*
		01	Aucune correction 0,0°F (0,0°C)
		02	-1°F (-0,5°C)
		03	-2°F (-1,0°C)
		04	-3°F (-1,5°C)
		05	-4°F (-2,0°C)
		06	-5°F (-2,5°C)
		07	-6°F (-3,0°C)
		08	-7°F (-3,5°C)
		09	-8°F (-4,0°C)
		10	+1°F (+0,5°C)
		11	+2°F (+1,0°C)
		12	+3°F (+1,5°C)
		13	+4°F (+2,0°C)
		14	+5°F (+2,5°C)
		15	+6°F (+3,0°C)
		16	+7°F (+3,5°C)
17	+8°F (+4,0°C)		

## Commande de température ambiante pour le capteur de télécommande filaire

Selon l'environnement d'installation, une correction du capteur de température de la télécommande filaire peut être nécessaire.

Sélectionnez le réglage de contrôle approprié en fonction de l'environnement d'installation.

Pour modifier ce réglage, réglez la fonction 42 pour les deux « 01 ».

Assurez-vous que l'icône du capteur thermique est affichée sur l'écran de la télécommande.

(♦... Réglage d'usine)

Numéro de fonction	Valeur d'ajustement	Description du réglage		
92 (Pour le refroidissement)	93 (Pour le chauffage)	00	Aucune correction 0,0°F (0,0°C) ♦	Plus de refroidissement Moins de chauffage
		01	Aucune correction 0,0°F (0,0°C)	
		02	-1°F (-0,5°C)	
		03	-2°F (-1,0°C)	
		04	-3°F (-1,5°C)	
		05	-4°F (-2,0°C)	
		06	-5°F (-2,5°C)	
		07	-6°F (-3,0°C)	
		08	-7°F (-3,5°C)	
		09	-8°F (-4,0°C)	Moins de refroidissement Plus de chauffage
		10	+1°F (+0,5°C)	
		11	+2°F (+1,0°C)	
		12	+3°F (+1,5°C)	
		13	+4°F (+2,0°C)	
		14	+5°F (+2,5°C)	
		15	+6°F (+3,0°C)	
		16	+7°F (+3,5°C)	
17	+8°F (+4,0°C)			

### Enregistrement du réglage

• Enregistrez toute modification des réglages dans le tableau suivant.

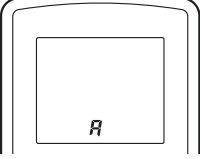
Réglage	Valeur d'ajustement	
Conditions d'isolation thermique (isolation du bâtiment)		
Contrôle de la température ambiante pour le capteur de l'unité intérieure	Refroidissement	
	Chauffage	
Commande de température ambiante pour le capteur de télécommande filaire	Refroidissement	
	Chauffage	

Après avoir fini le Réglage des fonctions, assurez-vous de couper et de restaurer le courant à nouveau.

### ■ Réglage de code personnalisé de la télécommande

Suivez les étapes suivantes pour sélectionner le code personnalisé de la télécommande. (Notez que le climatiseur ne peut pas recevoir un signal si le climatiseur n'a pas été réglé pour le code personnalisé correspondant.)

- Pressez le bouton « START/STOP » (MARCHE/ARRÊT) jusqu'à afficher une horloge sur l'affichage de la télécommande.
- Appuyez sur le bouton « MODE » et maintenez-le enfoncé pendant plus de 5 secondes afin d'afficher le code personnalisé actuel (réglé sur A à l'usine).
- Appuyez sur le bouton « SET TEMP » (RÉGLAGE TEMPÉRATURE) (▲) (▼) pour modifier le code personnalisé entre  $\square \rightarrow A \leftrightarrow B \leftrightarrow C \leftrightarrow D \rightarrow \square$ . Faites correspondre le code sur l'affichage avec le code personnalisé du climatiseur.
- Presser à nouveau le bouton « MODE » pour revenir à l'affichage de l'horloge. Le code personnalisé est modifié.



Si vous n'appuyez sur aucun bouton dans les 30 secondes après que le code personnalisé est affiché, le système retourne à l'affichage d'origine. En pareil cas, recommencez à partir de l'étape 1

En fonction de la télécommande, le code personnalisé peut revenir à un code personnalisé A lorsque les piles sont remplacées. Dans ce cas, si vous utilisez un code autre que A, réinitialiser le code après le remplacement des piles. Si vous ne connaissez pas le réglage de code personnalisé du climatiseur, essayez chaque code personnalisé (A → B → C → D) jusqu'à trouver le code qui fait fonctionner le climatiseur.

## 12. TEST DE FONCTIONNEMENT

**⚠ AVERTISSEMENT**

Ne mettez pas l'unité sous tension tant que tout les travaux d'installation ne sont pas terminés.

**⚠ ATTENTION**

Pour garantir la protection du compresseur, veuillez à allumer l'alimentation au moins 12 heures avant le début du fonctionnement.

### Éléments à vérifier

- Le fonctionnement de chaque bouton de la télécommande est-il normal?
  - Chaque voyant s'allume-t-il normalement?
  - Les volets de direction du flux d'air fonctionnent-ils normalement?
  - L'évacuation est-elle normale?
  - Il n'y a pas de vibrations ou bruits anormaux pendant le fonctionnement?
- Ne pas faire fonctionner le climatiseur en test de fonctionnement pendant une longue période.

### [Méthode d'opération]

En fonction de votre installation, choisissez parmi les options suivantes :

- Depuis la télécommande sans fil
- Pour lancer le test de fonctionnement, appuyez sur le bouton « START/STOP » (MARCHE/ARRÊT), puis sur le bouton « TEST RUN » (TEST DE FONCTIONNEMENT) de la télécommande.
  - Pour mettre fin au test de fonctionnement, appuyez sur le bouton « START/STOP » (MARCHE/ARRÊT) de la télécommande.
- Depuis l'unité intérieure
- Pour lancer le test de fonctionnement, appuyez sur le bouton « MANUAL AUTO » (MANUEL AUTO) de l'unité intérieure pendant plus de 10 secondes (refroidissement forcé).
  - Pour mettre fin au test de fonctionnement, appuyez sur le bouton « MANUAL AUTO » (MANUEL AUTO) pendant plus de 3 secondes ou appuyez sur le bouton « START/STOP » (MARCHE/ARRÊT) de la télécommande.

- Depuis la télécommande filaire
- Pour connaître la méthode de fonctionnement, reportez-vous au manuel d'installation et au mode d'emploi de la télécommande filaire.

Le voyant indicateur de fonctionnement et le voyant indicateur de la minuterie clignoteront simultanément pendant le mode test de fonctionnement. Le test de fonctionnement du chauffage commencera quelques minutes après avoir sélectionné HEAT (CHAUFFAGE) depuis la télécommande [modèle à inversion de cycle uniquement].

## 13. CONSEILS AU CLIENT

- Expliquez ce qui suit au client en vous reportant au mode d'emploi :
- Méthode de démarrage et d'arrêt, commutation de fonctionnement, réglage des températures, minuterie, ajustement du flux d'air et autres fonctionnements de la télécommande.
  - Retrait et nettoyage du filtre à air et méthode d'utilisation des volets d'air.
  - Remettez le mode d'emploi au client.

## 14. CODES D'ERREUR

Si vous utilisez une télécommande sans fil, le témoin du photodétecteur signalera les codes d'erreur par des configurations clignotantes. Si vous utilisez une télécommande filaire, les codes d'erreur s'afficheront sur son écran. Se reporter aux configurations clignotantes et aux codes d'erreur dans le tableau. Un affichage d'erreur s'affiche seulement en cours de fonctionnement.

Affichage d'erreur			Code d'erreur de la télécommande filaire	Description
Témoin de FONCTIONNEMENT (vert)	Témoin de MINUTERIE (orange)	Témoin ÉCONOMIE (vert)		
●(1)	●(1)	◇	11	Erreur de communication série
●(1)	●(2)	◇	12	Erreur de communication de la télécommande filaire
●(1)	●(5)	◇	15	Test non terminé
●(1)	●(6)	◇	16	Erreur de connexion du PCB de transmission de l'unité périphérique
●(1)	●(8)	◇	18	Erreur de communication externe
●(2)	●(1)	◇	21	Erreur de configuration de l'adresse du numéro de l'unité ou du circuit de refroidissement réfrigérant [Multi simultanées]
●(2)	●(2)	◇	22	Erreur de capacité de l'unité intérieure
●(2)	●(3)	◇	23	Erreur de combinaison
●(2)	●(4)	◇	24	• Erreur de numéro de l'unité de connexion (unité intérieure secondaire) [Multi simultanées] • Erreur de numéro de l'unité de connexion (unité intérieure ou unité de branche) [Multi simultanées]
●(2)	●(6)	◇	26	Erreur de configuration de l'adresse de l'unité intérieure
●(2)	●(7)	◇	27	Erreur de réglage de l'unité primaire, de l'unité secondaire [Multi simultanées]
●(2)	●(9)	◇	29	Erreur de numéro d'unité de connexion dans le système de télécommande filaire
●(3)	●(1)	◇	31	Erreur d'interruption d'alimentation
●(3)	●(2)	◇	32	Erreur d'information du modèle de PCB de l'unité intérieure
●(3)	●(5)	◇	35	Erreur de commutation manuel/ auto
●(3)	●(10)	◇	3A	Erreur du circuit de communication de l'unité intérieure (télécommande filaire)
●(4)	●(1)	◇	41	Erreur du capteur de température de la salle
●(4)	●(2)	◇	42	Échangeur de chaleur de l'unité intérieure Erreur du capteur de température moyenne
●(4)	●(4)	◇	44	Erreur du capteur de présence humaine
●(5)	●(1)	◇	51	Erreur du moteur du ventilateur de l'unité intérieure
●(5)	●(3)	◇	53	Erreur de la pompe de vidange
●(5)	●(7)	◇	57	Erreur de registre
●(5)	●(8)	◇	58	Erreur de grille d'admission
●(5)	●(15)	◇	5U	Erreur de l'unité intérieure
●(6)	●(1)	◇	61	Erreur de phase inverse/manquante et de câblage de l'unité extérieure
●(6)	●(2)	◇	62	Erreur d'informations de modèle de PCB principal de l'unité extérieure ou erreur de communication
●(6)	●(3)	◇	63	Erreur d'inverseur
●(6)	●(4)	◇	64	Erreur de filtre actif, erreur de circuit PFC
●(6)	●(5)	◇	65	Erreur du terminal gauche de déclenchement
●(6)	●(10)	◇	6A	Erreur de communication des micro-ordinateurs du PCB d'affichage

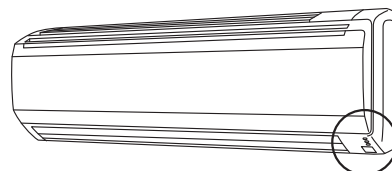
Affichage d'erreur			Code d'erreur de la télécommande filaire	Description
Témoin de FONCTIONNEMENT (vert)	Témoin de MINUTERIE (orange)	Témoin ÉCONOMIE (vert)		
●(7)	●(1)	◇	71	Erreur du capteur de température de décharge
●(7)	●(2)	◇	72	Erreur du capteur de température du compresseur
●(7)	●(3)	◇	73	Erreur du capteur de température du liquide de l'échangeur de chaleur de l'unité extérieure
●(7)	●(4)	◇	74	Erreur du capteur de température extérieure
●(7)	●(5)	◇	75	Erreur du capteur de température de gaz d'aspiration
●(7)	●(6)	◇	76	• Erreur du capteur de température de la vanne à 2 voies • Erreur du capteur de température de la vanne à 3 voies
●(7)	●(7)	◇	77	Erreur du capteur de température de la source de froid
●(8)	●(2)	◇	82	• Erreur du capteur de température d'admission du gaz de l'échangeur de chaleur de sous-refroidissement • Erreur du capteur de température de sortie du gaz de l'échangeur de chaleur de sous-refroidissement
●(8)	●(3)	◇	83	Erreur du capteur de température du tuyau de liquide
●(8)	●(4)	◇	84	Erreur du capteur de courant
●(8)	●(6)	◇	86	• Erreur de capteur de pression de décharge • Erreur de capteur de pression d'aspiration • Erreur de commutateur de haute pression
●(9)	●(4)	◇	94	Détection de déclenchement
●(9)	●(5)	◇	95	Erreur de détection de position du rotor du compresseur (arrêt permanent)
●(9)	●(7)	◇	97	Erreur du moteur du ventilateur 1 de l'unité extérieure
●(9)	●(8)	◇	98	Erreur du moteur du ventilateur 2 de l'unité extérieure
●(9)	●(9)	◇	99	Erreur de la vanne à 4 voies
●(9)	●(10)	◇	9A	Erreur de bobine (valve de détente)
●(10)	●(1)	◇	A1	Erreur de température de décharge
●(10)	●(3)	◇	A3	Erreur de température du compresseur
●(10)	●(4)	◇	A4	Erreur haute pression
●(10)	●(5)	◇	A5	Erreur de basse pression
●(13)	●(2)	◇	J2	Erreur des boîtiers de branche [Multi flexible]

Mode d'affichage ● : 0,5 s ON (MARCHE) / 0,5 s OFF (ARRÊT)

◇ : 0,1 s ON (MARCHE) / 0,1 s OFF (ARRÊT)

( ) : Nombre de clignotements

### [Dépannage avec affichage de l'unité intérieure]



OPERATION (FONCTIONNEMENT) Témoin FONCTIONNEMENT (vert)

TIMER (MINUTERIE) Témoin MINUTERIE (orange)

ECONOMY (ÉCONOMIE) Témoin ÉCONOMIE (vert)

### [Dépannage avec l'affichage de la télécommande filaire (option)]

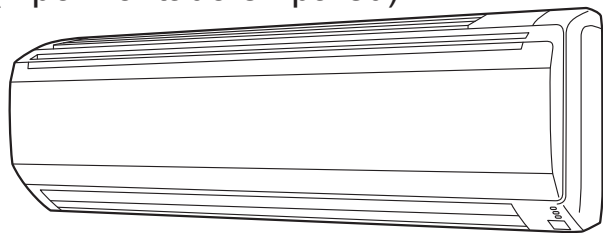
Si une erreur se produit, l'affichage suivant est indiqué. (« Er » apparaîtra dans l'affichage de température ambiante défini.)



Code d'erreur



# ACONDICIONADOR DE AIRE UNIDAD INTERIOR (Tipo montado en pared)



Únicamente para personal de servicio autorizado.

- La instalación debe realizarse según el requisito de los códigos NEC y CEC solo por parte de personal autorizado.
- Todos los productos se fabrican a unidades y tolerancias métricas. Las unidades de uso en Estados Unidos se incluyen solo como referencia. En los casos cuando se necesiten las dimensiones y tolerancias exactas, siempre tome las unidades métricas como referencia.

## 1. PRECAUCIONES DE SEGURIDAD

### 1.1. ¡IMPORTANTE! Lea antes de comenzar

Este sistema acondicionador de aire cumple estrictamente con los estándares de seguridad y funcionamiento. Como instalador o personal de servicio, una parte importante de su trabajo consiste en instalar o realizar reparaciones en el sistema para que funcione de forma segura y eficaz.

**Para una instalación segura y un funcionamiento sin problemas, debe:**

- Leer este libro de instrucciones con cuidado antes de comenzar.
- Seguir cada paso de la instalación o de la reparación exactamente como se ilustra.
- Cumplir con todos los códigos eléctricos locales, estatales y nacionales.
- Prestar mucha atención a todos los avisos de advertencia y precaución que aparecen en este manual.

	<b>ADVERTENCIA</b>	Este símbolo se refiere a una práctica peligrosa o insegura que puede ocasionar una lesión personal grave o la muerte.
	<b>PRECAUCIÓN</b>	Este símbolo se refiere a una práctica peligrosa o riesgosa que puede ocasionar lesiones personales y tener el potencial de causar daños al producto o a la propiedad.

- Símbolos de alerta de peligro



Eléctrico



Seguridad/alerta

**Si fuese necesario, consiga ayuda**

Estas instrucciones son todo lo que necesita para la mayoría de sitios de instalación y condiciones de mantenimiento. Si requiere ayuda para un problema especial, contáctese con nuestro punto de ventas/servicio o con su distribuidor certificado para recibir instrucciones adicionales.

**En caso de una instalación indebida**

El fabricante no se hará responsable por instalaciones indebidas o por el servicio de mantenimiento, incluido el no seguir las instrucciones en este documento.

## 1.2. PRECAUCIONES ESPECIALES

**Al realizar el cableado**

LA DESCARGA ELÉCTRICA PUEDE OCASIONAR LESIONES PERSONALES O LA MUERTE. ÚNICAMENTE UN ELECTRICISTA CALIFICADO Y EXPERIMENTADO DEBE INTENTAR CABLEAR ESTE SISTEMA.

- No suministre energía eléctrica a la unidad antes de que el cableado se haya completado y los tubos se hayan reconectado y controlado.
- En este sistema se utilizan tensiones eléctricas altamente peligrosas. Consulte cuidadosamente el diagrama de cableado y estas instrucciones al momento de hacer el cableado. Las conexiones incorrectas e inadecuada conexión a tierra pueden causar lesiones accidentales o muerte.
- Tierra la unidad siguiendo las normas eléctricas locales.
- Conecte todo el cableado firmemente. El cableado flojo puede ocasionar el sobrecalentamiento en los puntos de conexión y un posible riesgo de incendio.

**Al realizar el traslado**

Sea cuidadoso al levantar y trasladar las unidades de interior y exterior. Trabaje con un compañero y doble las rodillas al levantar peso para reducir el esfuerzo sobre su espalda. Los bordes filosos o las aletas de aluminio finas del acondicionador de aire pueden cortar los dedos.

# MANUAL DE INSTALACIÓN

N.º DE PIEZA 9318739237

## Contenido

1. PRECAUCIONES DE SEGURIDAD.....	1
2. ACERCA DE ESTE PRODUCTO.....	2
3. ESPECIFICACIONES GENERALES.....	3
4. SELECCIÓN DE LA UBICACIÓN DE INSTALACIÓN.....	3
5. TRABAJO DE INSTALACIÓN.....	3
6. CABLEADO ELÉCTRICO.....	5
7. TERMINADO.....	6
8. REMOCIÓN E INSTALACIÓN DEL PANEL DELANTERO.....	7
9. INSTALACIÓN DEL CONTROL REMOTO.....	7
10. KIT OPCIONAL DE INSTALACIÓN.....	8
11. JUSTE DE FUNCIÓN.....	9
12. PRUEBA DE FUNCIONAMIENTO.....	11
13. ORIENTACIÓN AL CLIENTE.....	11
14. CÓDIGOS DE ERROR.....	12

### Al realizar la instalación...

**...en un cielorraso o una pared**

Asegúrese de que el cielorraso/la pared sea lo suficientemente fuerte como para soportar el peso de la unidad. Puede ser necesario construir un fuerte marco de madera o metal para proporcionar soporte adicional.

**...en una habitación**

Aísle adecuadamente cualquier pedazo de la tubería que pase dentro de la habitación para impedir que "la transpiración" gotee y el agua cause daño a paredes y pisos.

**...en una área con fuertes vientos**

Ancle de forma segura la unidad de exterior con pernos y una estructura metálica. Proporcione un deflector de aire adecuado.

**...en una zona de nieve (para sistemas de tipo de bomba de calor)**

Instale la unidad de exterior sobre una plataforma elevada que esté localizada más alta que la nieve caída.

### Al conectar la tubería de refrigerante

- Mantenga el tendido de tubería lo más corto posible.
- Utilice el método de abocinado para conectar tuberías.
- Aplique lubricante para refrigerante a las superficies correspondientes del ensanchado y a los tubos de unión antes de conectarlos, luego apriete la tuerca con una llave de torsión a fin de obtener una conexión libre de fugas.
- Controle cuidadosamente que no haya fugas antes de abrir las válvulas de refrigerante.

### Al realizar reparaciones

- Apague la energía eléctrica en el panel principal del disyuntor diferencial antes de abrir la unidad para controlar o reparar piezas eléctricas y cableado.
- Mantenga dedos y prendas alejados de las piezas móviles.
- Limpie el sitio después de terminar, recuerde verificar que no queden restos de metal o pedazos de cable dentro de la unidad que se ha reparado.
- Después de la instalación, explique el funcionamiento correcto al cliente, haciendo uso del manual de funcionamiento.

### ADVERTENCIA

- Nunca toque los componentes eléctricos inmediatamente después de la fuente de alimentación se ha apagado. Se puede producir un choque eléctrico. Después de apagar la energía, espere siempre 5 minutos antes de tocar los componentes eléctricos.
- Si hay fugas de refrigerante mientras trabaja, ventilar la zona. Si el refrigerante entra en contacto con una llama, produce un gas tóxico.

### PRECAUCIÓN

- No intente instalar el aparato de aire acondicionado o de una parte del aparato de aire acondicionado por sí mismo.
- Esta unidad debe ser instalada por personal cualificado, con un certificado de capacidad para el manejo de fluidos refrigerantes. Refiérase a las normas y leyes en efecto en el lugar de instalación.
- Esta unidad forma parte de un conjunto que constituye un acondicionador de aire. No debe ser instalado por cuenta propia ni por parte de personal no autorizado por el fabricante.
- Siempre utilice una línea de alimentación separada protegida por un disyuntor de funcionamiento en todos los cables con una distancia entre el contacto de 1/8 pulgadas (3 mm) para esta unidad.
- La unidad debe estar correctamente conectada a tierra y la línea de suministro debe estar equipada con un disyuntor diferencial para poder proteger a las personas.
- Las unidades no son a prueba de explosión y, por lo tanto, no deben ser instaladas en una atmósfera explosiva.
- Cuando se esté trasladando, consulte al personal de reparaciones autorizado para que éste efectúe la desconexión e instalación de la unidad.
- No coloque ningún otro producto eléctrico o enseres domésticos debajo de la unidad de interior o exterior.  
La condensación que chorrea de la unidad podría mojarlos y esto podría ocasionar daños o el mal funcionamiento de su propiedad.

## 2. ACERCA DE ESTE PRODUCTO

### 2.1. Precauciones para el uso del refrigerante R410A

- Los procedimientos de trabajo de instalación básicos son los mismos que refrigerante convencional modelo (R22).  
Sin embargo, preste atención a los siguientes puntos:
- Ya que la presión de trabajo es 1,6 veces mayor que la de modelos refrigerantes (R22) convencionales, algunas de las tuberías y las herramientas de instalación y reparación son especiales. (Vea la siguiente tabla.)  
Especialmente, al reemplazar un refrigerante convencional (R22) con un nuevo refrigerante R410A, Siempre reemplazar la tubería convencional y tuercas abocinadas con tubería y tuercas R410A.
- Los modelos que utilizan refrigerante R410A tener un diámetro de rosca del orificio de carga diferente para impedir la carga errónea con refrigerante convencional (R22) y para la seguridad. Por lo tanto, controle esto de antemano. [El diámetro de rosca del orificio de carga para R410A es de 1/2-20 UNF.]
- Tenga mayor cuidado de que no ingrese materia ajena (aceite, agua, etc.) a la tubería que con modelos con refrigerante (R22). Además, cuando esté almacenando la tubería, selle la apertura de forma segura comprimiéndola, usando cinta adhesiva, etc.
- Al cargar el refrigerante, tome en cuenta el leve cambio en la composición de las fases gaseosa y líquida. Y cargue siempre desde el lado de la fase líquida donde la composición del refrigerante es estable.

### 2.2. Herramientas especiales para R410A

Nombre de la herramienta	Contenido del cambio
<b>Manómetro múltiple</b>	La presión es alta y no puede ser medida con un medidor convencional (R22). Para impedir la mezcla errónea de otros refrigerantes, se ha cambiado el diámetro de cada orificio. Se recomienda el medidor con sellos de -30 inHg a 768 psi (-0,1 to 5,3 MPa) para presión alta. -30 inHg a 551 psi (-0,1 to 3,8 MPa) para presión baja.
<b>Manguera de carga</b>	Para aumentar la resistencia a la presión, se cambiaron el material de la manguera y el tamaño de la base.
<b>Bomba de vacío</b>	Se puede utilizar una bomba de vacío convencional si se instala el adaptador correspondiente.
<b>Detector de fugas de gas</b>	Detector especial de fugas de gas para refrigerante HFC R410A.

#### Tuberías de cobre

Es necesario usar tuberías de cobre sin costura y es deseable que la cantidad de aceite residual sea menor que 0,004 oz/100 ft. (40 mg/10 m). No utilice tuberías de cobre que tengan una parte plegada, deformada o decolorada (en especial, en la superficie interior). De lo contrario, la válvula de expansión o el tubo capilar se pueden bloquear debido a los contaminantes.

Puesto que los acondicionadores de aire que utilizan R410A están sujetos a presiones mayores a las de aquellos que utilizan R22, es necesario seleccionar materiales adecuados.

#### ADVERTENCIA

- No utilice tuberías existente y tuercas de abocardado (R-22).  
Si se usan los materiales existentes, la presión dentro del ciclo del refrigerante subirá y causará fallas, lesiones, etc. (Use los materiales especiales para R410A.)
- Cuando se esté instalando y relocalizando el acondicionador de aire, no se debe mezclar ningún gas que sea diferente al refrigerante especificado (R410A), ni permitir que entre al ciclo refrigerante.  
Si ingresa aire u otro gas al ciclo refrigerante, la presión dentro del ciclo subirá a un valor anormalmente alto y causará fallas, lesiones, etc.

### 2.3. Únicamente para personal de servicio autorizado.

#### ADVERTENCIA

- Para que el acondicionador de aire funcione de forma satisfactoria, instálelo como se describe en este manual de instalación.
- Conectar la caja de la unidad interior y la unidad exterior o caja de derivación con la tubería de aire acondicionado y los cables disponible con su distribuidor local. Este manual de instalación describe las conexiones correctas usando el juego de instalación disponible en su distribuidor local.
- No encienda la alimentación eléctrica hasta que todo el trabajo de instalación haya sido completado.



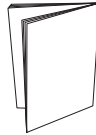
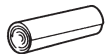
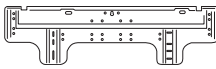
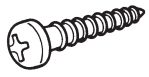

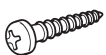

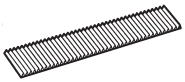

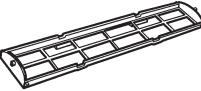
#### PRECAUCIÓN

Este manual de instalación describe únicamente cómo instalar la unidad de interior. Para instalar la caja de la unidad o de la rama al aire libre, consulte el manual de instalación incluido con la unidad exterior o caja de derivación.

- Tenga cuidado de no rayar el acondicionador de aire cuando esté manipulándolo.
- Después de la instalación, explique el funcionamiento correcto al cliente, haciendo uso del manual de funcionamiento.

## 2.4. Accesorios

Se suministran los siguientes accesorios de instalación. Úselos según se requieran.

Nombre y Forma	Cant.	Nombre y Forma	Cant.
Manual de uso 	1	Aislante de la manguera de drenaje 	1
Manual de instalación (Este manual) 	1	Cinta de tela 	1
Ménsula de pared para enganchar 	1	Tornillo de rosca cortante (grande) (M4 x 25 mm) 	8
Control remoto 	1	Tornillo de rosca cortante (pequeño) (M3 x 12 mm) 	2
Batería 	2	Filtro para limpieza de aire 	2
Soporte del control remoto 	1	Portafiltro 	2

Los siguientes elementos son necesarios para instalar este acondicionador de aire. (Los elementos no vienen incluidos con el acondicionador de aire y deben ser adquiridos de forma separada.)

Nombre	Cant.	Nombre	Cant.
Ensamble de tubería de conexión	1	Montura	1 juego
Cable de conexión (de 4 conductores)	1	Manguera de drenaje	1
Tubería de pared	1	Tornillos de rosca cortante	1 juego
Cinta decorativa	1	Sellador	1
Cinta de vinilo	1	M10 perno, tuerca	4 juego
Tapa de pared	1		

### 2.5. Materiales adicionales requeridos para instalación

- Cinta (blindada) para refrigeración
- Grapas o abrazaderas aisladas para el cable de conexión (Vea sus códigos eléctricos locales.)
- Masilla
- Lubricante para refrigeración
- Abrazaderas o chavetas cóncavas para fijar la tubería de refrigerante

### 2.6. Componentes opcionales

Refiérase a cada manual de instalación para obtener el método para instalar piezas opcionales.

Nombre de las piezas	No. de modelo	Aplicación
Control remoto cableado	*XRNNUM	Para la operación del acondicionador de aire
Control remoto simple	*XRSNUM	Para la operación del acondicionador de aire
Kit de conexión externa	RXXWZX	Para la instalación de componentes opcionales

### 3. ESPECIFICACIONES GENERALES

#### 3.1. Tipo de tubo de cobre y material de aislamiento

##### ⚠ PRECAUCIÓN

Refiérase al manual de instalación para la unidad de exterior para obtener una descripción de la longitud de tubería y la diferencia en altura permisibles.

##### Selección de los tamaños de tubería

Los diámetros de las tuberías de conexión debe ser acordes a la capacidad de la unidad interior.  
Consulte la siguiente tabla para obtener los diámetros adecuados de las tuberías de conexión entre la unidad interior y la unidad exterior.

MODELO	Diámetro	
	Tubería de líquido	Tubería de gas
Tipos 18, 24	6,35 mm (1/4 pulg.)	1/2 pulg. (12,70 mm)
Tipos 30, 36	3/8 pulg. (9,52 mm)	15,88 mm (5/8 pulg.)

##### ⚠ PRECAUCIÓN

Instale aislamiento térmico alrededor tanto de las tuberías para líquido como para las de gas. El incumplimiento de estas precauciones puede producir fugas de agua. Utilizar aislamiento térmico con resistencia al calor por encima de 248 °F (120 °C). Únicamente para el modelo de ciclo invertido.

Además, si se espera que el nivel de humedad en el lugar de instalación de la tubería de refrigerante supere el 70%, instale aislamiento térmico alrededor de la tubería de refrigerante. Si el nivel esperado de humedad es de 70-80%, use aislante térmico que tenga un espesor de 15 mm (9/16 pulgadas) o mayor y si la humedad esperada excede 80%, use aislante térmico que tenga un espesor de 20 mm (13/16 pulgadas) o más grueso.

Si se utiliza aislamiento térmico que no es del grosor especificado, es posible que se forme condensación en la superficie del aislamiento. Además, utilice aislante térmico con conductividad térmica de 0,045 W/(m·K) o menor (a [68 °F (20 °C)]).

#### 3.2. requisito eléctrico

La unidad interior recibe el suministro de energía de la unidad exterior. No suministre energía a la unidad de interior desde una fuente de energía separada.

##### ⚠ ADVERTENCIA

Refiérase a los códigos locales para obtener información sobre el tipo de cable aceptable.

Cable	Tamaño del cable	Observaciones
Cable de conexión	14AWG	3 cable+tierra, 1φ 208/230 V

Longitud máx. de cable: Limite la caída en voltaje a menos de 2%. Aumente el espesor del cable si la caída en voltaje es de 2% o más.

### 4. SELECCIÓN DE LA UBICACIÓN DE INSTALACIÓN

Decida la posición de montaje con el cliente de la siguiente manera:

- Instale el nivel de la unidad de interior en una pared fuerte que no esté sujeta a vibración.
- Los puertos de entrada y salida no deben estar obstruidos: el aire debe ser capaz de circular por toda la habitación.
- Instale la unidad con un circuito de ramal eléctrico dedicado.
- No instale la unidad donde ésta esté expuesta a luz solar directa.
- Instale la unidad donde la conexión a la unidad exterior sea fácil.
- Instale la unidad donde el tubo de drenaje pueda ser instalado fácilmente.
- Tome en consideración las reparaciones, etc. y deje los espacios que se muestran en [5.1. Dimensiones de la instalación]. Instale también la unidad donde el filtro pueda ser removido.

La ubicación correcta de la instalación inicial es importante debido a que es difícil mover la unidad una vez que ha sido instalada.

##### ⚠ ADVERTENCIA

Instale el aire acondicionado en una ubicación en donde pueda soportar una carga de al menos 3 veces el peso de la unidad principal y que no amplifique el sonido o la vibración. Si la ubicación de instalación no es lo bastante resistente, la unidad interior puede caerse y provocar lesiones.

Peso soportable (peso de la unidad x 3\*)  
93 Lbs (42kg)

\*De conformidad con los estándares de UL.

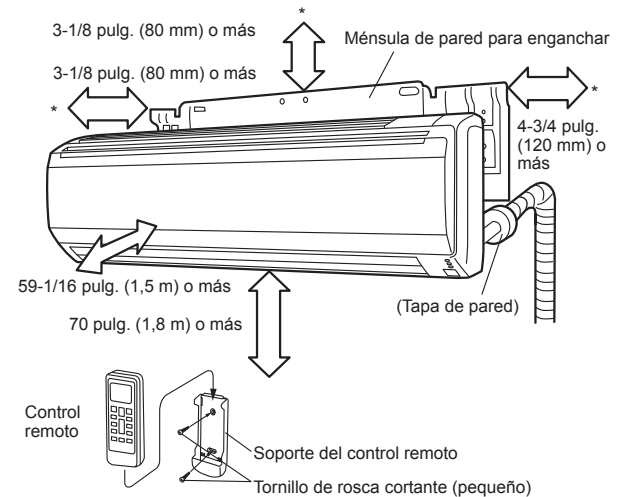
##### ⚠ PRECAUCIÓN

No instale la unidad en las siguientes áreas:

- Área con alto contenido de sal, tal como en la costa. Esto deteriorará las partes metálicas, causando que las partes fallen o que la unidad tenga fugas de agua.
- Área llena de aceite mineral o que contiene una gran cantidad de aceite salpicado o vapor, tales como una cocina. Esto deteriorará las partes plásticas, causando que las partes fallen o que la unidad tenga fugas de agua.
- Área que genera sustancias que afectan negativamente a los equipos, tales como gas sulfúrico, gas cloro, ácido, o álcali. Esto causará que los tubos de cobre y las juntas bañadas en cobre se corroan, lo que puede causar la fuga de refrigerante.
- Área que puede causar que gas combustible se filtre, contiene fibras suspendidas de carbono o polvos inflamables, inflamables o volátiles tales como diluyente de pintura o gasolina. Si un gas se fuga e instala alrededor de la unidad, puede causar un incendio.
- No instale donde hay el riesgo de fuga de gas combustible.
- No instale la unidad cerca de fuentes de calor, vapor o gas inflamable.
- Instale la unidad donde el drenaje no cause ningún problema.
- Instalar la unidad interior, a unidad exterior, caja de derivación, cable de alimentación, cable de transmisión, y el cable de control remoto al menos 40 pulgadas (1m) de distancia de un televisor o radio receptores. El propósito de esto es evitar la interferencia de la recepción del televisor o el ruido de la radio. (Incluso si están instalados a más de 40 in (1m.) de distancia, igual podría recibir ruido bajo ciertas condiciones de señal.)
- Si pudieran acercarse niños menores de 10 años de edad a la unidad, tome medidas preventivas para evitar que puedan alcanzar la misma.
- Instalar la unidad interior en la pared donde la altura de los pisos sea de más de 70 in. (1.8 m).

### 5. TRABAJO DE INSTALACIÓN

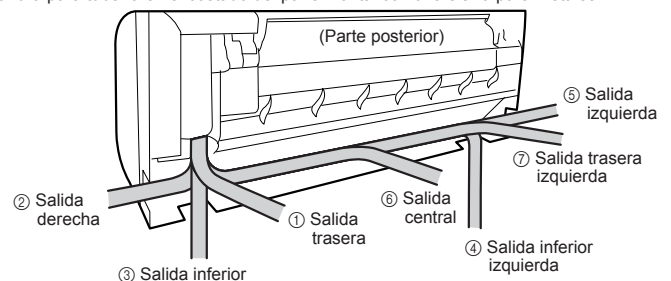
#### 5.1. dimensiones de la instalación



\* Espacio del soporte del gancho de pared

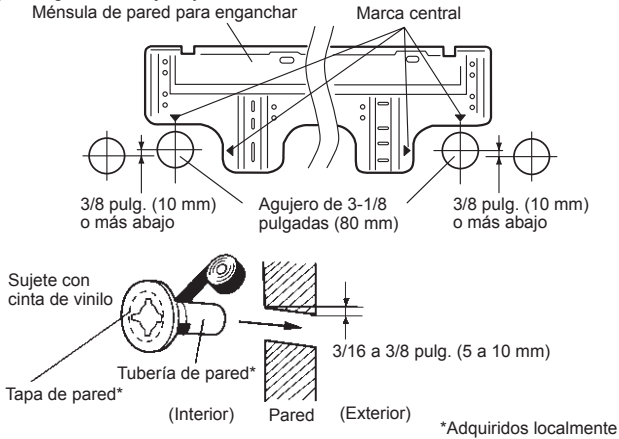
#### 5.2. Dirección de la tubería de la interior

La tubería puede conectarse en las 7 direcciones indicadas a continuación. Cuando la tubería esté conectada en la dirección ②, ③, ④ o ⑤, corte a lo largo de la ranura para tubería en el costado del panel frontal con una sierra para metales.



### 5.3. Cortar un agujero en la pared para los tubos de conexión

- (1) Corte un agujero con un diámetro de 3-1/8 pulg. (80 mm) en la pared en la posición que se muestra en la figura.
- (2) Cuando esté cortando el agujero de pared en la parte externa de la ménsula de pared para enganchar, cuando esté cortando el agujero de pared en la parte externa de la ménsula de pared para enganchar, corte el agujero en un punto situado 3/8 pulg. (10 mm) más abajo.
- (3) Corte el agujero de manera que el extremo exterior esté más bajo [3/16 a 3/8 pulg. (5 a 10 mm)] que el extremo interno.
- (4) Alinee siempre el centro del agujero de pared. Si está mal alineado, ocurrirán fugas de agua.
- (5) Corte la tubería de pared para igualarla con el espesor de la pared, insértela dentro de la tapa de pared, asegure la tapa con cinta de vinilo e inserte la tubería a través del agujero.
- (6) Para la tubería izquierda y derecha, corte el agujero ligeramente más abajo de manera que el agua de drenaje fluya libremente.

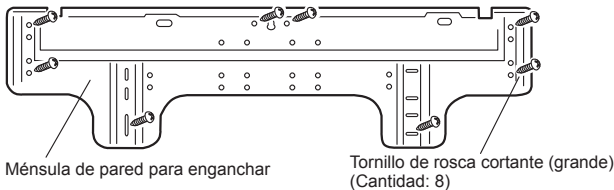


#### ⚠ ADVERTENCIA

Utilice siempre la tubería de pared. Si no se utiliza la tubería de pared, el cable que interconecta las unidades de interior y exterior puede entrar en contacto con el metal y producir una descarga eléctrica.

### 5.4. Instalación del soporte del gancho de la pared

- (1) Instale la ménsula de pared para enganchar de manera que esté correctamente posicionada horizontal y verticalmente. Si la ménsula de pared para enganchar está inclinada, chorreará agua al piso.
  - (2) Instale la ménsula de pared para enganchar de manera que tenga la suficiente fuerza como para aguantar el peso de la unidad.
- Sujete la ménsula de pared para enganchar a la pared con 6 o más tornillos a través de los agujeros cerca del borde externo de la ménsula.
  - Compruebe que no haya ningún tableteo en la ménsula de pared para enganchar.



#### ⚠ PRECAUCIÓN

Instalar el soporte de pared colgado tanto horizontal como verticalmente alineados. Instalación desalineada puede causar fugas de agua.

### 5.5. La formación de la manguera de drenaje y la tubería

#### [Tubería trasera, tubería derecha, tubería inferior]

- Instale la tubería de la unidad de interior en la dirección del agujero de pared; una la manguera de drenaje y los tubos con cinta de vinilo.
- Instale la tubería de modo que la manguera de drenaje esté en la parte inferior
- Envuelva los tubos de la unidad de interior que puedan verse desde el exterior con cinta decorativa.

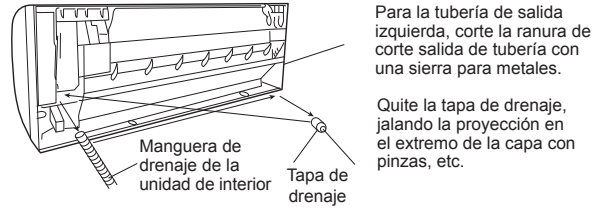
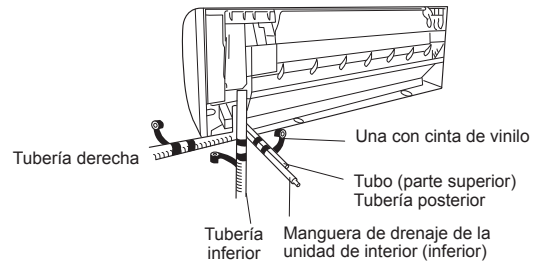
#### [Para tubería trasera izquierda, tubería izquierda]

Intercambie la tapa de drenaje y la manguera de drenaje.

#### ⚠ PRECAUCIÓN

- Inserte la manguera de drenaje y la tapa de drenaje de forma segura. El drenaje debería tener una pendiente descendente para evitar la fuga de agua.
- Cuando las esté insertando, asegúrese de no adherir ningún material aparte de agua. Si se adhiere cualquier otro material, éste causará deterioro y fugas de agua.
- Después de extraer la manguera de drenaje, asegúrese de no olvidar montar la tapa de drenaje.
- Asegúrese de fijar la manguera de drenaje con cinta a la parte inferior de la tubería.
- Evite el congelamiento de agua de drenaje en un entorno con bajas temperaturas. Cuando esté instalando la manguera de drenaje de la unidad de interior en el exterior, se deben tomar las medidas necesarias de protección contra congelamiento para evitar el congelamiento del agua de drenaje. En un entorno de bajas temperaturas (cuando la temperatura exterior está por debajo de 32 °F [0 °C]), después de ejecutarse la operación de refrigeración, el agua en la manguera de drenaje podría estar congelada. Una vez que el agua de drenaje se congela, la manguera de drenaje se bloqueará y podría resultar en fugas de agua en la unidad de interior.

### Método de instalación del tapón de drenaje



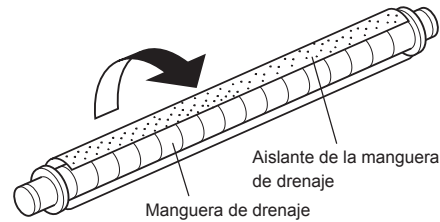
Para la tubería de salida izquierda, corte la ranura de corte salida de tubería con una sierra para metales.

Quite la tapa de drenaje, jalando la proyección en el extremo de la capa con pinzas, etc.

#### ⚠ PRECAUCIÓN

Inserte la manguera de drenaje y la tapa de drenaje dentro del puerto de drenaje, asegurándose que entren en contacto con la parte posterior del puerto de drenaje y luego móntelas. Si la manguera de drenaje no está conectada apropiadamente, ocurrirán fugas.

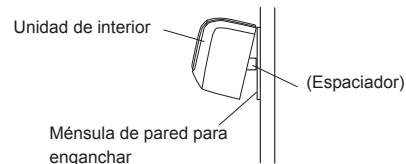
- Adhiera el Aislante de la manguera de drenaje a la manguera de drenaje.



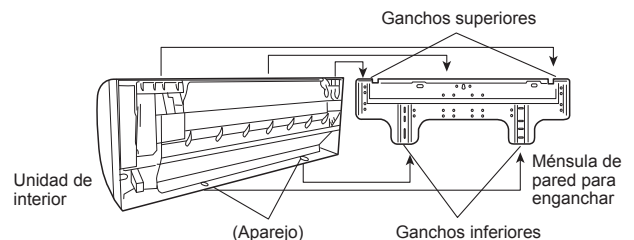
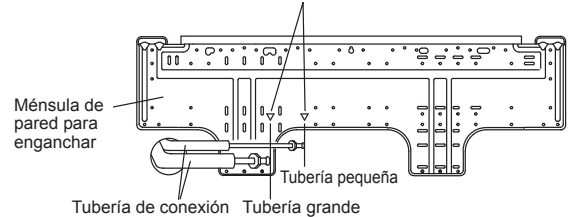
- Para la tubería izquierda y trasera izquierda, alinee las marcas en la ménsula de pared para enganchar y moldee el tubo de conexión.
- Doble la tubería de conexión a un radio de 3-15/16 pulg. (100 mm) o más, e instale a no más de 1-3/8 pulg. (35 mm) de la pared.
- Después de pasar la tubería de interior y la manguera de drenaje a través del agujero de la pared, cuelgue la unidad de interior en los ganchos en la parte superior e inferior de la ménsula de pared para enganchar.

#### [Instalación de la unidad de interior]

- Cuelgue la unidad de interior de los ganchos en la parte superior de la ménsula de pared para enganchar.
- Inserte el espaciador, etc. entre la unidad de interior y la ménsula de pared para enganchar, y separe la parte inferior de la unidad de interior de la pared.



Marcas de alineación



Después de enganchar la unidad de interior en el gancho superior, enganche las conexiones de la unidad de interior a los 2 ganchos inferiores mientras baja la unidad y la empuja contra la pared.

## 5.6. la conexión abocinada (conexión de tubería)

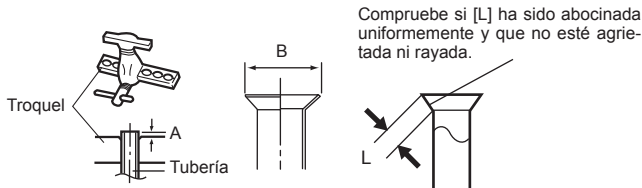
### PRECAUCIÓN

Ajuste las tuercas cónicas con una llave de torsión usando el método de ajuste especificado. De otra forma, las tuercas cónicas podrían romperse después de un período prolongado, causando una gotera de refrigerante y que se genere un gas peligroso si el refrigerante entra en contacto con una llama.

#### 5.6.1. Abocinado

Use un cortador de tubos especial y la herramienta de ensanchamiento exclusiva para R410A.

- (1) Corte la tubería de conexión a la longitud necesaria con un cortador de tubería.
- (2) Sostenga la tubería hacia abajo de modo que los recortes no se introduzcan y quite la rebaba.
- (3) Inserte la tuerca cónica (utilice siempre la tuerca cónica adosada a la[s] unidad[es] de interior y de exterior, respectivamente) dentro del ubo y realice el proceso de ensanchamiento con una herramienta de abocinado. Utilice una herramienta especial de abocinado R410A, o la herramienta de abocinado convencional. Podría producirse una fuga de refrigerante si se usan otras tuercas cónicas.
- (4) Proteja las tuberías apretándolas o colocando cinta para impedir que entren polvo, suciedad o agua en ellas.



Diámetro externo de tubería [pulg. (mm)]	Dimensión A [(pulg.) mm]		Dimensión B [(pulg.) mm]
	Herramienta de abocinado para R410A, tipo embrague	0 a 0,020 (0 a 0,5)	
1/4 (6,35)			3/8 (9,1)
3/8 (9,52)			1/2 (13,2)
1/2 (12,70)			5/8 (16,6)
5/8 (15,88)			3/4 (19,7)
3/4 (19,05)			15/16 (24,0)

Si utiliza herramientas convencionales de abocinado para ensanchar las tuberías R410A, la dimensión A debe tener aproximadamente 0,020 pulg (0,5 mm) más que lo indicado en la tabla (para ensanchar con herramientas de abocinado R410A) para lograr el ensanchamiento especificado. Utilice un medidor de grosor para medir la dimensión A.

Ancho entre superficies pifalantass	Diámetro externo de tubería [pulg. (mm)]	Ancho entre superficies planas de la tuerca cónica [pulg. (mm)]
	1/4 (6,35)	11/16 (17)
	3/8 (9,52)	7/8 (22)
	1/2 (12,70)	1 (26)
	5/8 (15,88)	1-1/8 (29)
	3/4 (19,05)	1-7/16 (36)

#### 5.6.2. Doblado de tuberías

- Si se da forma a las tuberías con la mano, tenga cuidado de no colapsarlas.
- No doble las tuberías a un ángulo mayor de 90°.
- Cuando los tubos son doblados o estirados repetidamente, el material se endurecerá, haciendo difícil el doblar o estirarlos más.
- No doble ni estire las tuberías más de 3 veces.

### PRECAUCIÓN

- Para evitar la rotura del tubo, evite doblarlo de forma aguda.
- Si la tubería se dobla repetidamente en el mismo lugar, se romperá.

#### 5.6.3. Conexión de tubería

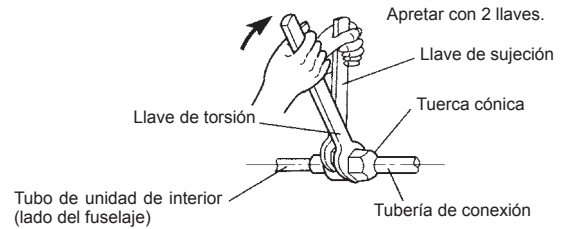
### PRECAUCIÓN

- Asegúrese de instalar correctamente la tubería contra el orificio de la unidad de interior. Si el centrado es inapropiado, la tuerca cónica no podrá ser ajustada de forma llana. Si la tuerca cónica se gira a la fuerza, las roscas se dañarán.
- No quite la tuerca cónica de la tubería de la unidad de interior hasta inmediatamente antes de conectar la tubería de conexión.
- Sostenga la llave de torsión por el mango, manteniéndola en ángulo recto con respecto a la tubería, para apretar la tuerca cónica correctamente.
- Ajuste las tuercas cónicas con una llave de torsión usando el método de ajuste especificado. De otra forma, las tuercas cónicas podrían romperse después de un período prolongado, causando una gotera de refrigerante y que se genere un gas peligroso si el refrigerante entra en contacto con una llama.

### PRECAUCIÓN

- Conecte la tubería de manera que la tapa de la caja de controles pueda ser quitada fácilmente para efectuar reparaciones/mantenimiento cuando sea necesario.
- Para evitar que el agua se filtre dentro de la caja de control, asegúrese de que la tubería esté bien aislada.

Cuando ajuste la tuerca cónica adecuadamente con la mano, sostenga el acople del lado del fuselaje con una llave mecánica, luego ajústela con una llave de torsión. (Vea en la siguiente tabla las fuerzas de torsión para tuercas cónicas.)



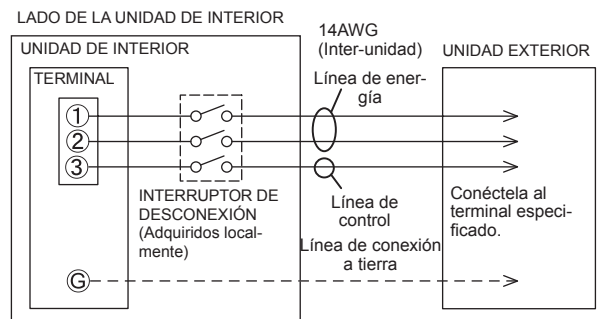
la tuerca cónica [(pulg.) mm]	Par de torsión de apriete [lb-pies (N·m)]
1/4 (6,35) diám.	11,8 a 13,3 (16 a 18)
3/8 (9,52) diám.	23,6 a 31,0 (32 a 42)
1/2 (12,70) diám.	36,1 a 45,0 (49 a 61)
5/8 (15,88) diám.	46,5 a 55,3 (63 a 75)
3/4 (19,05) diám.	66,4 a 81,1 (90 a 110)

## 6. CABLEADO ELÉCTRICO

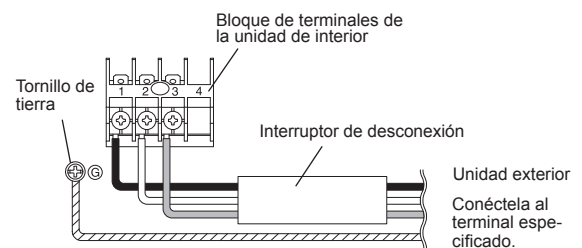
### 6.1. diagrama de sistema de cableado

### ADVERTENCIA

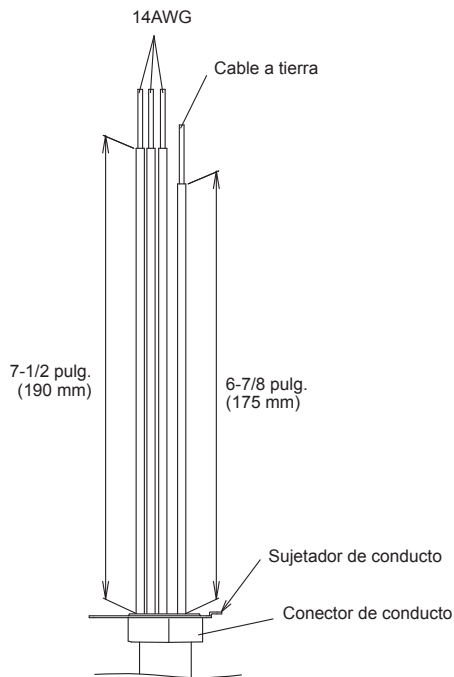
- Antes de conectar los cables, asegúrese de que el suministro eléctrico esté APAGADO.
- Cada cable debe estar conectado firmemente.
- No se debe permitir que ningún cable toque la tubería del refrigerante, el compresor o cualquier parte móvil.
- El cableado suelto podría causar el calentamiento del terminal u ocasionar el mal funcionamiento de la unidad. También podría existir un peligro de incendio. Por lo tanto, asegúrese que todo el cableado esté conectado de forma ajustada.
- Conecte los cables a los números de terminales concordantes.



Interruptor de desconexión - adquirido localmente de ser requerido por el código local. Seleccione la capacidad correcta para el interruptor de desconexión de acuerdo con la carga.

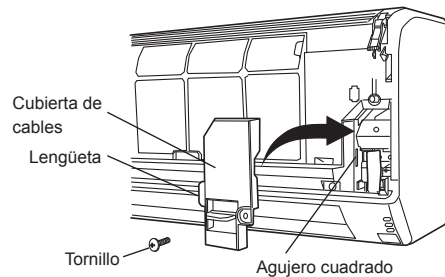
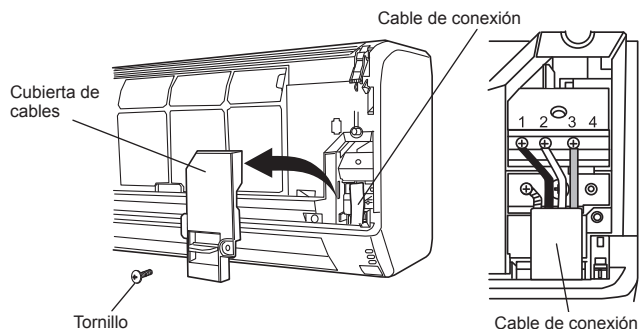
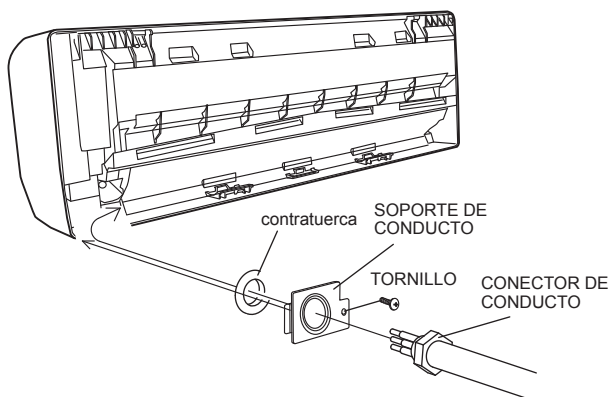


- Para conectar correctamente los cables de la unidad de interior al terminal, refiérase a la fi gura para obtener la longitud apropiada.



## 6.2. Cómo instalar el cable de conexión

1. Remueva los tornillos, luego remueva el sujetador de conducto.
2. Ajuste el cable de corriente de la unidad de interior al sujetador de conducto usando la contratuercas.  
**IMPORTANTE:** Refiérase a la fi gura donde se muestra la longitud de cable de la unidad de interior para obtener información sobre la longitud del arnés de cables de la misma.
3. Use los tornillos para instalar el sujetador de conducto suministrado con la unidad de interior.
4. Remueva el tornillo y luego remueva la cubierta de la caja de controles.
5. Conectar el cable de conexión a la terminal.  
Consulte el diagrama de cableado y "Cómo conectar el cableado a los terminales".
6. Utilice el tornillo para volver a instalar la cubierta del cable.

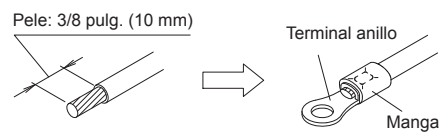


Inserte la lengüeta dentro del agujero cuadrado de la unidad de interior y ajústela con un tornillo.

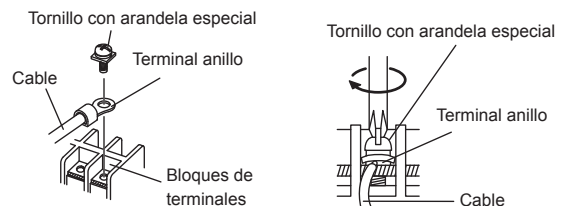
## 6.3. Cómo conectar cables a los terminales

### Precaución cuando se esté cableando

- Cuando se esté pelando el recubrimiento aislante de un cable conductor, use siempre una herramienta especial tal como un pelacables. Si no hay una herramienta especial disponible, pele el recubrimiento cuidadosamente con un cuchillo, etc.
- (1) Use terminal anillo con mangas aislantes según se muestra en la fi gura a continuación, para conectarlos al bloque de terminales.
  - (2) Sujete firmemente y de forma segura los terminales anillo a los cables, usando una herramienta apropiada de manera que los cables no se aflojen.



- (3) Utilice los cables especificados, conéctelos firmemente y sujételos de modo que no se aplique tensión a los terminales.
- (4) Utilice un destornillador adecuado para apretar los tornillos del terminal. No utilice un destornillador demasiado pequeño, si así fuese, se pueden dañar las cabezas del tornillo e impedir que los tornillos se aprieten como es debido.
- (5) No apriete en exceso los tornillos del terminal, de lo contrario se podrían romper los tornillos.



- (6) Vea la tabla a continuación para obtener las fuerzas de torsión para el ajuste de los tornillos de los terminales.

Par de torsión de apriete [lbf-pulg. (N·m)]	
Tornillo M4	11 a 16 (1,2 a 1,8)

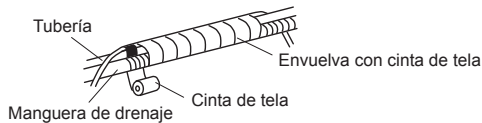
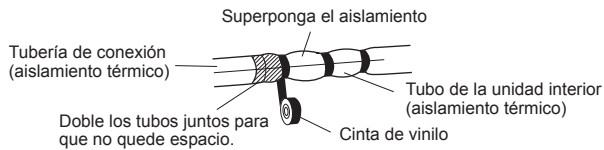
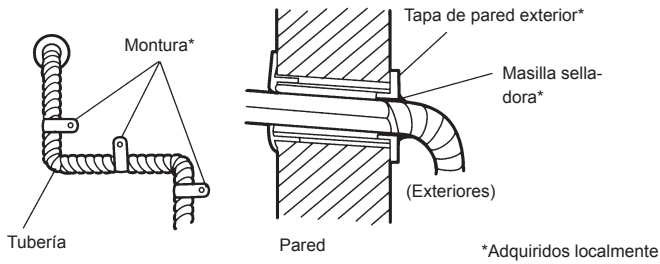
### PRECAUCIÓN

- Fije la abrazadera de cables firmemente, sujetando el cable de conexión, y asegúrese de que la abrazadera esté fija de manera segura. Una fijación incompleta de la abrazadera de cables podría provocar una falla del panel abierto.
- Coincida los números del bloque de terminales y los colores del cable de conexión con aquellos de la unidad de exterior o caja distribuidora. Si los cables se conectan incorrectamente se pueden quemar las piezas eléctricas.
- Conecte los cables de conexión firmemente al bloque de terminales. Una conexión defectuosa podría ocasionar un incendio.
- Sujete siempre la cubierta exterior del cable de conexión con la abrazadera para cables. (Si el aislante está rasgado, se puede producir una descarga eléctrica.)
- Conecte siempre el cable a tierra.
- No utilice el tornillo de conexión a tierra de la unidad de interior para la conexión, a menos que sea para la unidad de exterior especificada.

## 7. TERMINADO

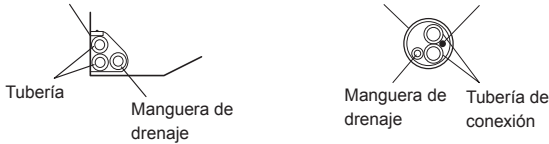
- (1) Aísle entre los tubos.
  - Aísle los tubos de succión y de descarga por separado.
  - Para la tubería trasera, derecha e inferior, superponga el aislamiento térmico del tubo de conexión y el aislamiento térmico del tubo de la unidad de interior, y únalos con cinta de vinilo de modo que no haya espacio.
  - Para la tubería izquierda y trasera izquierda, empalme a tope el aislamiento térmico del tubo de conexión y el aislamiento térmico del tubo de la unidad de interior, y únalos con cinta de vinilo de modo que no haya espacio.
  - Para la tubería izquierda y trasera izquierda, envuelva el área que acomode la sección de alojamiento de la tubería posterior con cinta de tela.
  - Para la tubería izquierda y trasera izquierda, una el cable de conexión a la parte superior del tubo con cinta de vinilo.
  - Para la tubería izquierda y trasera izquierda, junte la tubería y la manguera de drenaje, envolviéndolas con cinta de tela sobre el rango dentro del cual se adaptan a la sección de alojamiento de la tubería posterior.

- (2) Sujete temporalmente el cable de conexión, junto con el tubo de conexión, con cinta de vinilo. (Envuelva a aproximadamente 1/3 de la anchura de la cinta de la parte inferior del tubo, de modo que no entre agua.)
- (3) Asegure el tubo de conexión a la pared exterior con una montura, etc.
- (4) Llene el espacio entre el agujero para tubería de la pared externa y la tubería con sellador, de manera que no puedan ingresar ni agua de lluvia ni viento.
- (5) Asegure la manguera de drenaje a la pared externa, etc.

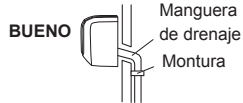


**Tubería izquierda**  
Cable de conexión

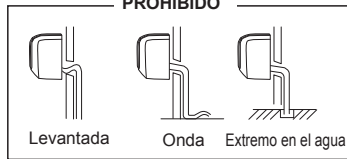
**Para conexión desde la parte posterior izquierda**  
Tubería de pared Cable de conexión



Compruebe lo siguiente:



**PROHIBIDO**



## 8. REMOCIÓN E INSTALACIÓN DEL PANEL DELANTERO

### 8.1. Retiro de la rejilla de entrada

- (1) Abra la rejilla de entrada.
- (2) Jale la perilla hacia abajo.
- (3) Levante la rejilla de entrada hacia arriba, hasta que se remueva el eje ubicado en la parte superior de la rejilla de entrada.

### 8.2. Instalación de la rejilla de entrada

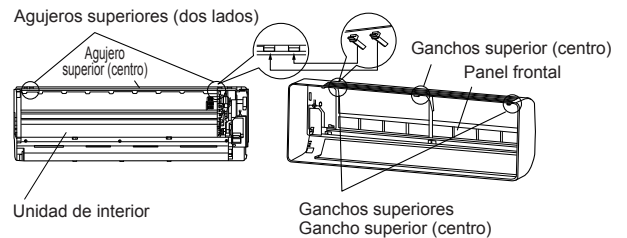
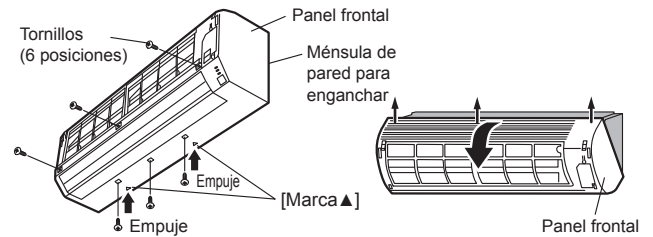
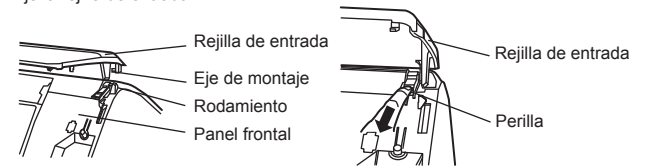
- (1) El eje de fijado de la rejilla de entrada es instalado en el Panel.
- (2) Fije la rejilla de entrada.

### 8.3. Extracción del panel frontal

- (1) Retire la rejilla de entrada (Revise la remoción de la rejilla de entrada.)
- (2) Quite los 6 tornillos.
- (3) El pulgar se cuelga en la parte inferior como se muestra en la figura, y tira a la parte delantera, empujando la [▲] marca, y ganchos inferiores (2 posiciones) se retira del soporte del gancho de la pared.
- (4) El panel frontal se jala hacia la parte frontal, levantando la superficie superior y se remueve el panel frontal.

## 8.4. Instalación del panel frontal

- (1) Primeramente, acomode la parte inferior del panel delantero e inserte los ganchos superiores e inferiores. (3 lados superiores)
- (2) Fije los 6 tornillos.
- (3) Fije la rejilla de entrada.



### ⚠ PRECAUCIÓN

Instale firmemente el Panel delantero y la rejilla de entrada. Si la instalación es imperfecta, el panel frontal o rejilla de entrada puede caerse y causar lesiones.

## 9. INSTALACIÓN DEL CONTROL REMOTO

- Compruebe que la unidad de interior reciba correctamente la señal del control remoto, luego instale el soporte del control remoto.

### ⚠ PRECAUCIÓN

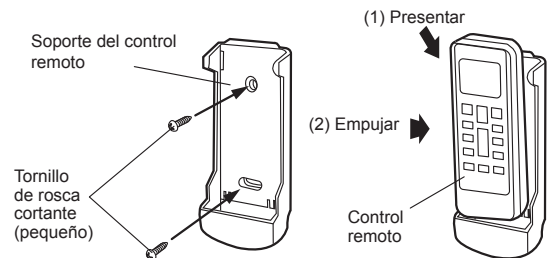
Seleccione el lugar de selección del soporte del control remoto prestando especial atención a lo siguiente:

- Evite lugares expuestos a la luz solar directa.
- Seleccione un lugar que no estará afectado por el calor de una estufa, etc.

### 9.1. instalación de soporte del control remoto

- Instale el control remoto a una distancia máxima de 22 ft (7 m) con respecto al receptor de señal del control remoto. Sin embargo, al instalar el control remoto, compruebe que esté funcionando correctamente.
- Instalar el soporte del control remoto a una pared, pilar, etc. con el tornillo de rosca.

**Fijación de soporte del control remoto**      **Montaje del control remoto**



## 10. KIT OPCIONAL DE INSTALACIÓN

Este acondicionador de aire se puede conectar con los siguientes kits opcionales.

- Control remoto cableado
- Control remoto simple
- Kit de conexión externa

### ⚠ PRECAUCIÓN

- Antes de instalar, asegúrese de desconectar todas las fuentes de energía eléctrica.
- No toque el intercambiador de calor.
- Al instalar o quitar partes del aparato de aire acondicionado, asegúrese de que el cable no es capturado por cualquier pieza o tirado con fuerza. Puede dar lugar a daños o mal funcionamiento del aparato de aire acondicionado.
- Evite lugares expuestos a la luz solar directa.
- Seleccione un lugar que no se vea afectado por el calor de una estufa, etc.
- Antes de instalar el kit opcional, confirme si el aire acondicionado puede recibir la señal.
- No conecte el control remoto cableado al terminal para suministro de energía eléctrica.
- Cuando esté conectando el control remoto cableado con la unidad de interior, use el cable de conexión (que se incluye con el control remoto cableado o simple).
- La longitud de cable recomendada del control remoto cableado es de 32 ft (10 m). Asegúrese de aislar la parte que hace conexión al extender el cable.

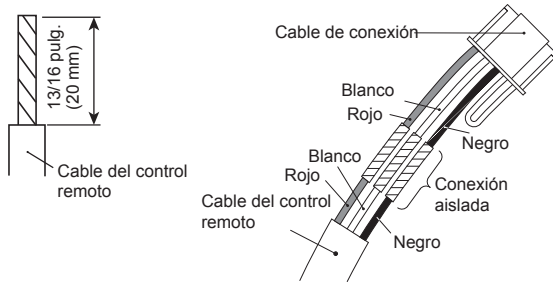
### 10.1. Antes de instalar el control remoto cableado

Cuando use un control remoto cableado, tal vez no se puedan usar algunas funciones.

### 10.2. Modificación de cable del control remoto

- (1) Utilice una herramienta para cortar el terminal en el extremo del cable del control remoto y luego remueva el aislante desde el extremo cortado del cable.
- (2) Conecte el cable del control remoto y el cable de conexión. (suministrado con el control remoto cableado)

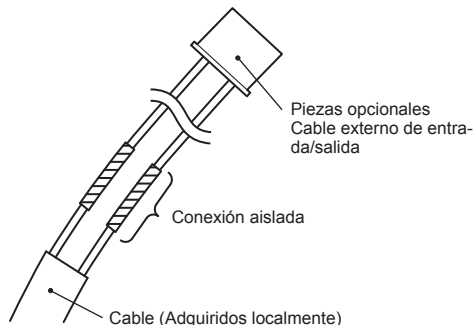
**Importante:** Asegúrese de aislar la conexión entre los cables.



### 10.3. Modificación de cable entrada/salida externa

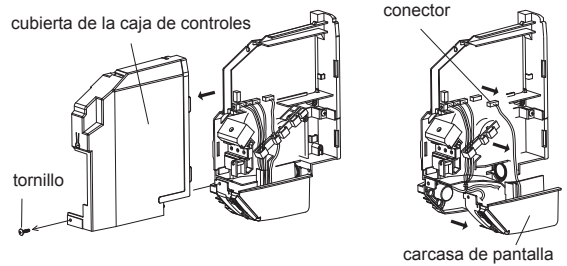
- (1) Quite el aislamiento del cable sujetado al conector de juego de cables. Quite el aislamiento del cable adquirido localmente. Use un conector aislado de cabo extremo de tipo rizo para unir el cable de campo y el cable del juego de cables.
- (2) Conecte el cable y el cable adquiridos localmente. (suministrado con el kit de conexión externa)

**Importante:** Asegúrese de soldar los cables para conectar. Asegúrese de aislar la conexión entre los cables.



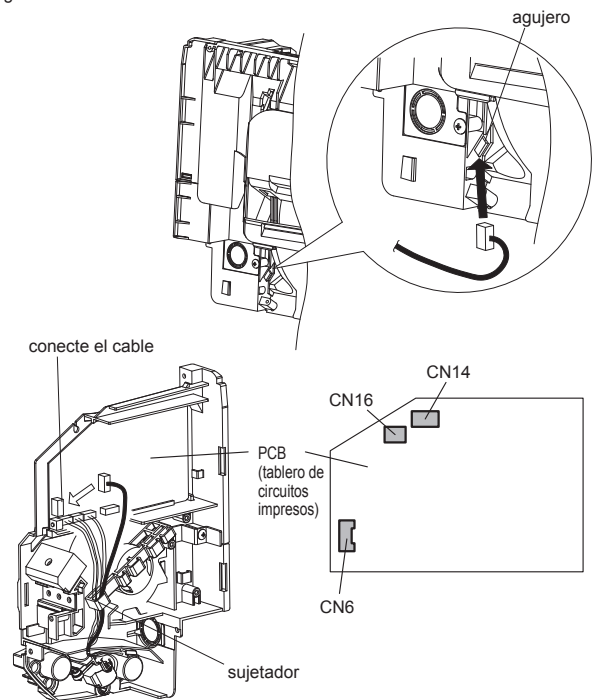
## 10.4. Remoción de panel frontal, tapa de la caja de control y vitrina

- (1) Refiérase a "REMOCIÓN E INSTALACIÓN DEL PANEL FRONTAL" para remover el panel frontal.
- (2) Remueva el tornillo y luego remueva la cubierta de la caja de controles.
- (3) Remueva la carcasa de la pantalla y el conector.



## 10.5. Conexión del cable al conector del tablero de control

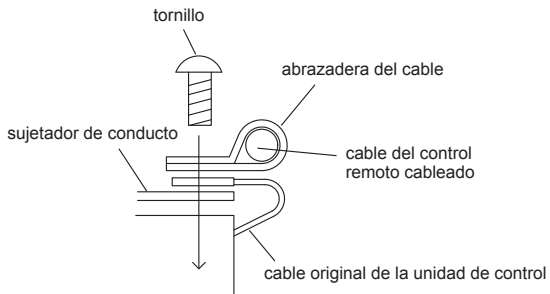
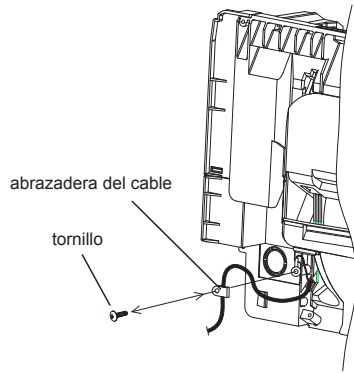
- (1) Pase el cable desde el agujero situado en la parte posterior de la unidad interior.
- (2) Conecte el cable al conector del tablero de control.
- (3) Enganche el cable en la acanaladura.



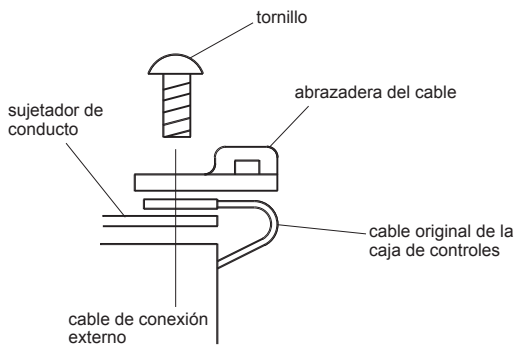
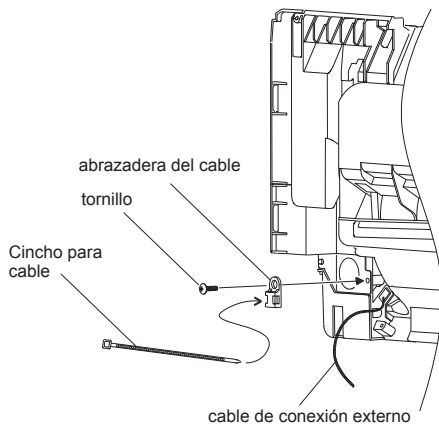
Tipo de opción	No. de conector
Control remoto cableado Control remoto simple	CN6
Entrada externa	CN14
Salida externa	CN16



(4) Use la sujeción del cable y atornille para fijar el cable del control remoto cableado.



(5) Fije la abrazadera para el atador con un tornillo y ate el cable del kit externo con el atador.



## 10.6. Instalación del panel frontal, tapa de la caja de control y vitrina

Instale el panel frontal, la cubierta de la caja de controles y la carcasa de la pantalla usando los procedimientos invertidos según lo indicado en la sección 10.4. Remoción del panel delantero, cubierta de la caja de controles y carcasa de la pantalla.

## 11. JUSTE DE FUNCIÓN

Realice "Function setting" (Ajuste de funciones) según las condiciones de instalación utilizando el control remoto.

### ⚠ PRECAUCIÓN

- Confirme si el trabajo de cableado para la Unidad de exterior o la Caja de ramal ha sido terminado.
- Confirme que la cubierta para el recinto eléctrico en la unidad de exterior esté en su lugar.
- Este procedimiento cambia los ajustes de función usados para controlar la unidad de interior de acuerdo con las condiciones de instalación. Los ajustes incorrectos pueden hacer que la unidad de interior no funcione bien.
- Después de encender la energía eléctrica, realice el Ajuste de funciones de acuerdo con las condiciones de instalación usando el control remoto.
- Los ajustes pueden ser seleccionados entre los siguientes dos: Número de Función o Valor de Ajuste.
- Los ajustes no se cambiarán si se seleccionan números o valores de ajuste inválidos.
- Refiérase al manual de instalación incluido con la unidad de control remoto cuando se usa la (opción de) unidad de control remoto cableada.

### Ingreso al modo de ajuste de función

Mientras pulsa el botón "FAN" (VENTILADOR) y el de SET TEMP. (AJUSTE DE TEMPERATURA) (▲) de forma simultánea, pulse el botón "RESET" (Reajuste) para ingresar el modo de ajuste de función.

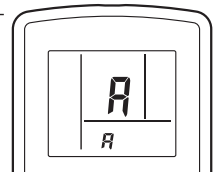
### PASO 1

#### Selección del código personalizado del control remoto

Use los siguientes pasos para seleccionar el código personalizado del control remoto. (Tome nota que el acondicionador de aire no puede recibir una señal si el acondicionador de aire no ha sido ajustado para el código personalizado.)

Los códigos personalizados que se establecen a través de este proceso son aplicables sólo a las señales en el FUNCTION SETTING (AJUSTE DE FUNCIÓN). Para obtener más información sobre cómo configurar los códigos personalizados mediante el proceso normal, consulte la sección Código personalizado del control remoto.

- ① Presione el botón "SET TEMP." (AJUSTE DE TEMPERATURA) (▲) (▼) para cambiar el código personalizado entre A↔B↔C↔D. Coincidir con el código en la pantalla para el código personalizado del acondicionador de aire. (inicialmente a A) (Si el código personalizado no tiene que ser seleccionado, pulse el botón "MODE" (MODO) y vaya al paso 2.)



- ② Presione el botón "TIMER MODE" (MODO TEMPORIZADOR) y compruebe que la unidad de interior puede recibir señales en el código personalizado exhibido.

- ③ Presione el botón "MODE" (MODO) para aceptar el código personalizado, y proceda al PASO 2.

### PASO 2

#### Selección del número de función y el valor de ajuste

- ① Presione los botones "SET TEMP." (AJUSTE DE TEMPERATURA) (▲) (▼) para seleccionar el número de función. (Pulse el botón de "MODE" (MODO) para alternar entre los dígitos izquierdo y derecho.)
- ② Presione el botón "FAN" (VENTILADOR) para proceder a ajustar el valor. (Presione el botón "FAN" (VENTILADOR) nuevamente para retornar a la selección del número de función.)
- ③ Presione los botones "SET TEMP." (AJUSTE DE TEMPERATURA) (▲) (▼) para seleccionar el valor de ajuste. (Pulse el botón de "MODE" (MODO) para alternar entre los dígitos izquierdo y derecho.)
- ④ Presione el botón "TIMER MODE" (MODO DE TEMPORIZADOR) y el botón "START/STOP" (ARRANQUE/PARADA), en el orden listado para confirmar los ajustes.
- ⑤ Presione el botón "RESET" (REAJUSTE) para cancelar el modo de ajuste de función.
- ⑥ Después de completar el ajuste de funciones, asegúrese de apagar la energía y de volverla a encender.



### ⚠ PRECAUCIÓN

Después de apagar la energía eléctrica, espere 30 segundos o más antes de volverla a encender.

El ajuste de funciones no se activa a no ser que la energía eléctrica sea apagada y encendida nuevamente.

## 11.1. Detalles de funcionamiento

### Signo de filtro

Seleccione los intervalos adecuados para que la señal del filtro aparezca en la unidad interior, según la cantidad estimada de polvo presente en el aire de la sala. Si no es necesario que se muestre la indicación, seleccione "Sin indicación" (03).

(♦... Ajuste de fábrica)

Número de función	Valor de ajuste	Descripción de ajuste
11	00	Estándar (400 horas)
	01	Intervalo prolongado (1.000 horas)
	02	Intervalo corto (200 horas)
	03	No indicar

### Reinicio Automático

Activar o desactivar el reinicio automático tras una interrupción del suministro.

(♦... Ajuste de fábrica)

Número de función	Valor de ajuste	Descripción de ajuste
40	00	Activar
	01	Desactivar

\* El reinicio automático es una función de emergencia para situaciones tales como un corte de corriente, etc. No intente utilizar esta función durante el funcionamiento normal. Asegúrese de manejar la unidad mediante el control remoto o el dispositivo externo.

### Cambio del sensor de temperatura ambiente

(Solo para control remoto con cable)

Cuando utilice el sensor de temperatura del control remoto con cable, cambie el ajuste a "Ambos" (01).

(♦... Ajuste de fábrica)

Número de función	Valor de ajuste	Descripción de ajuste
42	00	Unidad de interior
	01	Ambos

00: El sensor de la unidad interior está activo.

01: Los sensores de la unidad interior y del control remoto con cable están activos.

\* El sensor del control remoto debe activarse utilizando el control remoto

### Código personalizado del control remoto

(Solo para el control remoto inalámbrico)

El código personalizado de la unidad interior puede modificarse.

Seleccione el código personalizado adecuado.

(♦... Ajuste de fábrica)

Número de función	Valor de ajuste	Descripción de ajuste
44	00	A
	01	B
	02	C
	03	D

### Control de entrada externa

Se puede seleccionar el modo de "Funcionamiento/Parada" ("Operation/Stop") o el modo de "Parada forzada" ("Forced stop").

(♦... Ajuste de fábrica)

Número de función	Valor de ajuste	Descripción de ajuste
46	00	Modo de Funcionamiento/Parada (Operation/Stop)
	01	(Ajuste prohibido)
	02	Modo de parada forzada (Forced stop)

### Cambio del sensor de temperatura ambiente (Aux.)

Para utilizar el sensor de temperatura solo en el control remoto con cable, cambie el ajuste a "control remoto con cable" (01). Esta función solo funcionará si el ajuste de la función 42 se consigna en "Ambos" (01).

(♦... Ajuste de fábrica)

Número de función	Valor de ajuste	Descripción de ajuste
48	00	Ambos
	01	Control remoto cableado

### Control del ventilador de la unidad de interior para ahorrar energía en el enfriamiento

Activa o desactiva función de ahorro de energía al controlar la rotación del ventilador de la unidad de interior cuando se detiene la unidad de exterior durante la operación de enfriamiento.

(♦... Ajuste de fábrica)

Número de función	Valor de ajuste	Descripción de ajuste
49	00	Desactivar
	01	Activar

00: Cuando se detiene la unidad de exterior, el ventilador de la unidad de interior opera en forma continua, siguiendo el ajuste en el control remoto.

01: Cuando se detiene la unidad de exterior, el ventilador de la unidad de interior opera en forma intermitente a una velocidad muy baja.

## Registro de ajustes

Registre cualquier cambio a los ajustes en la siguiente tabla.

Descripción de ajuste	Valor de ajuste
Signo de filtro	
Reinicio automático	
Cambio del sensor de temperatura ambiente	
Código personalizado del control remoto	
Control de entrada externa	
Cambio del sensor de temperatura ambiente (Aux.)	
Control del ventilador de la unidad de interior para ahorrar energía en el enfriamiento	

Después de completar el Ajuste de función, asegúrese de desconectar la energía eléctrica y volverla a conectarla.

## 11.2. Corrección de la temperatura

### NOTA:

Cuando realice el cambio de la función 95, haga este ajuste antes de los otros ajustes de control de la temp. amb. (funciones 30, 31, 92 y 93).

Si la función 95 no se ajusta primero, se reinician los ajustes de control de la temperatura ambiente (funciones 30, 31, 92 y 93) y debe volverlos a configurar.

### Condición de aislamiento térmico (aislamiento del edificio)

Las condiciones del aislamiento térmico difieren según el ambiente donde se realice la instalación.

El aislamiento estándar "00" permite al sistema responder rápidamente a los cambios de carga de enfriamiento o calefacción.

El aislamiento alto "01" implica que la estructura de aislamiento térmico del edificio es alta y no necesita del sistema para responder rápidamente a los cambios de carga de enfriamiento o calefacción.

Cuando se selecciona el aislamiento alto "01";

- Se evita el sobrecalentamiento (subenfriamiento) en el arranque.

- Todos los ajustes de control de temp. amb. (función 30, 31, 92 y 93) se reiniciarán a Sin corrección [0,0 °F (0,0 °C)].

(♦... Ajuste de fábrica)

Número de función	Valor de ajuste	Descripción de ajuste
95	00	Aislamiento estándar
	01	Aislamiento alto

### Control de temperatura ambiente para el sensor de la unidad interna

Según el ambiente donde se realice la instalación, es posible que se necesita la corrección del sensor de temperatura ambiente.

Seleccione el ajuste de control adecuado acorde al ambiente donde se realice la instalación.

Los valores de corrección de temperatura muestran la diferencia del ajuste estándar "00" (valor recomendado del fabricante).

\* Cuando se ajusta la función 95-01 (aislamiento alto), el ajuste estándar "00" será el mismo que Sin corrección "01" [0,0 °F (0,0 °C)].

(♦... Ajuste de fábrica)

Número de función	Valor de ajuste	Descripción de ajuste
30 (Para enfriamiento)	00	Ajuste estándar*
	01	Sin corrección 0,0 °F (0,0 °C)
	02	-1°F (-0,5°C)
	03	-2°F (-1,0°C)
	04	-3°F (-1,5°C)
	05	-4°F (-2,0°C)
	06	-5°F (-2,5°C)
	07	-6°F (-3,0°C)
	08	-7°F (-3,5°C)
	09	-8°F (-4,0°C)
	10	+1°F (+0,5°C)
	11	+2°F (+1,0°C)
	12	+3°F (+1,5°C)
	13	+4°F (+2,0°C)
	14	+5°F (+2,5°C)
	15	+6°F (+3,0°C)
	16	+7°F (+3,5°C)
17	+8°F (+4,0°C)	

Más enfriamiento  
Menos calefacción

Menos enfriamiento  
Más calefacción

**Control de temperatura ambiente para sensor de control remoto alámbrico**  
Según el ambiente donde se realice la instalación, es posible que se necesite la corrección del sensor de temperatura ambiente remoto con cable.

Seleccione el ajuste de control adecuado acorde al ambiente donde se realice la instalación.

Para cambiar este ajuste, ajuste la función 42 a Ambos "01".

Asegúrese de que el ícono del sensor térmico aparece en la pantalla del control remoto.

(♦... Ajuste de fábrica)

Número de función	Valor de ajuste	Descripción de ajuste		
92 (Para enfriamiento)	93 (Para calefacción)	00	Sin corrección 0,0 °F (0,0 °C) ♦	Más enfriamiento Menos calefacción
		01	Sin corrección 0,0 °F (0,0 °C)	
		02	-1°F (-0,5°C)	
		03	-2°F (-1,0°C)	
		04	-3°F (-1,5°C)	
		05	-4°F (-2,0°C)	
		06	-5°F (-2,5°C)	
		07	-6°F (-3,0°C)	
		08	-7°F (-3,5°C)	
		09	-8°F (-4,0°C)	
		10	+1°F (+0,5°C)	Menos enfriamiento Más calefacción
		11	+2°F (+1,0°C)	
		12	+3°F (+1,5°C)	
		13	+4°F (+2,0°C)	
		14	+5°F (+2,5°C)	
		15	+6°F (+3,0°C)	
		16	+7°F (+3,5°C)	
17	+8°F (+4,0°C)			

#### Registro de ajustes

• Registre cualquier cambio a los ajustes en la siguiente tabla.

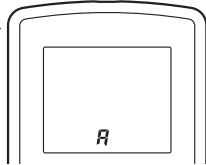
Ajuste	Valor de ajuste
Condición de aislamiento térmico (aislamiento del edificio)	
Control de temperatura ambiente para el sensor de la unidad interna	Enfriamiento
	Calefacción
Control de temperatura ambiente para sensor de control remoto alámbrico	Enfriamiento
	Calefacción

Después de completar el Ajuste de función, asegúrese de desconectar la energía eléctrica y volverla a conectarla.

#### ■Código personalizado del control remoto

Use los siguientes pasos para seleccionar el código personalizado del control remoto. (Tome nota que el acondicionador de aire no puede recibir una señal si el acondicionador de aire no ha sido ajustado para el código personalizado.)

- Presione el botón "START/STOP" (ARRANQUE/PARADA) hasta que solo aparezca el reloj en la pantalla del control remoto.
- Pulse el botón "MODE" (MODOS) durante al menos 5 segundos para visualizar el código personalizado actual (inicialmente a A).
- Presione el botón "SET TEMP." (▲) (▼) (AJUSTE DE TEMPERATURA) para cambiar el código personalizado entre A↔B↔C↔D. Haga concordar el código en la pantalla con el código personalizado en el acondicionador de aire.
- Pulse el botón "MODE" (MODOS) de nuevo para regresar a la pantalla del reloj. El código personalizado cambiará.



Si no se pulsa ningún botón en un plazo de 30 segundos después de que se visualiza el código personalizado, el sistema retorna a la visualización original de reloj. En este caso, vuelva a empezar desde el paso 1

Dependiendo del control remoto, el código personalizado puede volver a un código personalizado A cuando se cambian las baterías. En este caso, si se utiliza un código distinto de A, restablecer el código después de reemplazar las baterías. Si no conoce el ajuste de código personalizado del acondicionador de aire, pruebe cada uno de los códigos personalizados (A→B→C→D.) hasta que encuentre el código que opera el acondicionador de aire.

## 12. PRUEBA DE FUNCIONAMIENTO

### ⚠ ADVERTENCIA

No encienda la alimentación eléctrica hasta que todo el trabajo de instalación haya sido completado.

### ⚠ PRECAUCIÓN

Siempre conecte la alimentación 12 horas antes del inicio de la operación con el fin de garantizar la protección del compresor.

#### Controle los elementos

- ¿Es normal el funcionamiento de cada botón en la unidad de control remoto?
  - ¿Cada lámpara se enciende normalmente?
  - ¿Funcionan normalmente los deflectores de dirección de flujo de aire?
  - ¿El drenaje es normal?
  - ¿No hay un ruido o una vibración anormales durante el funcionamiento?
- No haga funcionar el acondicionador de aire en el estado de prueba durante un tiempo prolongado.

#### [Método de funcionamiento]

Dependiendo de la instalación, elija entre los siguientes:

Por el control remoto inalámbrico

- Para iniciar la prueba de funcionamiento, presione el botón "START/STOP" (ARRANQUE/PARADA) y el botón "TEST RUN" (PRUEBA DE FUNCIONAMIENTO) en el control remoto.
- Para finalizar marcha de prueba, presione el botón "START/STOP" (ARRANQUE/PARADA) del control remoto.

Por la unidad interior

- Para iniciar la prueba de funcionamiento, presione el botón "MANUAL AUTO" (MANUAL AUTOMÁTICO) de la unidad interior durante más de 10 segundos (enfriamiento forzado).
- Para finalizar marcha de prueba, presione el botón "MANUAL AUTO" (MANUAL AUTOMÁTICO) durante más de 3 segundos o presione el botón "START/STOP" (ARRANQUE/PARADA) del control remoto.

Por el control remoto con cable

- Para el método de operación, consulte el manual de instalación y las instrucciones de uso del control remoto alambrado.

La luz indicadora de funcionamiento y lámpara de control del temporizador parpadearán simultáneamente durante el modo de prueba.

La prueba de funcionamiento de calentamiento comenzará en unos pocos minutos cuando el calor es seleccionado por el control remoto [modelo de ciclo inverso solamente].

## 13. ORIENTACIÓN AL CLIENTE

Explique lo siguiente al cliente de acuerdo con el manual de funcionamiento:

- Método de arranque y parada, conmutación de funcionamiento, ajuste de temperatura, temporizador, conmutación de flujo de aire y otras funciones de la unidad de control remoto.
- Remoción y limpieza del filtro de aire y cómo utilizar las lamas de aire.
- Entregue el manual de funcionamiento al cliente.

## 14. CÓDIGOS DE ERROR

Si utiliza un control remoto inalámbrico, la lámpara de la unidad fotodetectora emitirá códigos de error por medio de patrones de parpadeo. Si usa un control remoto cableado, aparecerán códigos de error en la pantalla del control remoto. Vea los patrones parpadeantes de la lámpara y los códigos de error en la tabla. Se muestra un visualizador de error únicamente durante el funcionamiento.

Visualización de error			Códigos de error del control remoto cableado	Descripción
Lámpara de OPERACIÓN (verde)	Lámpara de temporizador (naranja)	Lámpara de ECONOMY (ECONÓMICO) (verde)		
●(1)	●(1)	◇	11	Error de comunicación serial
●(1)	●(2)	◇	12	Error de comunicación del control remoto cableado
●(1)	●(5)	◇	15	Marcha de prueba inconclusa
●(1)	●(6)	◇	16	Error de conexión del PCB transmisión de la unidad periférica
●(1)	●(8)	◇	18	Error de comunicación externa
●(2)	●(1)	◇	21	Error de número de unidad o la dirección del circuito refrigerante [Simultánea Multi]
●(2)	●(2)	◇	22	Error de capacidad de unidad interior
●(2)	●(3)	◇	23	Error de combinación
●(2)	●(4)	◇	24	• Número de la unidad de conexión error (unidad secundaria interior) [Simultánea Multi] • Error de la conexión número de unidad (unidad interior o la unidad de rama) [Flexible Multi]
●(2)	●(6)	◇	26	Error de configuración de la dirección de la unidad interior
●(2)	●(7)	◇	27	unidad primaria, error de configuración de la unidad secundaria [simultánea múltiple]
●(2)	●(9)	◇	29	Error de la conexión número de unidad en el sistema de control remoto con cable
●(3)	●(1)	◇	31	Error Interrupción del suministro eléctrico
●(3)	●(2)	◇	32	Modelo de PCB de la unidad interior error de la información
●(3)	●(5)	◇	35	Error en el interruptor manual/ automático (Manual auto)
●(3)	●(10)	◇	3A	Error de circuito de comunicación de unidad interior (control remoto con cable)
●(4)	●(1)	◇	41	Error del sensor de temperatura de la habitación
●(4)	●(2)	◇	42	Error de sensor de unidad interior de intercambio de calor
●(4)	●(4)	◇	44	Error de sensor de humanos
●(5)	●(1)	◇	51	Error en motor del ventilador de la unidad de interior
●(5)	●(3)	◇	53	Error de la bomba de drenaje
●(5)	●(7)	◇	57	Error de inhibidor
●(5)	●(8)	◇	58	Error de rejilla de entrada
●(5)	●(15)	◇	5U	Error en la unidad de interior
●(6)	●(1)	◇	61	Unidad exterior con error de fase inversa/ausente y error de cableado
●(6)	●(2)	◇	62	Error de información del modelo de placa principal de circuitos impresos de la unidad de exterior o error de comunicación
●(6)	●(3)	◇	63	Error de inversor
●(6)	●(4)	◇	64	Error en filtro activo, error en circuito PFC
●(6)	●(5)	◇	65	Error de activación del terminal L
●(6)	●(10)	◇	6A	Error de comunicación del visualizador de microcomputadoras del tablero de circuitos impresos

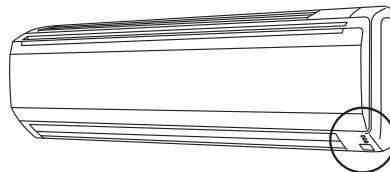
Visualización de error			Códigos de error del control remoto cableado	Descripción
Lámpara de OPERACIÓN (verde)	Lámpara de temporizador (naranja)	Lámpara de ECONOMY (ECONÓMICO) (verde)		
●(7)	●(1)	◇	71	Error de sensor de temperatura de descarga
●(7)	●(2)	◇	72	Error de sensor de temperatura del compresor
●(7)	●(3)	◇	73	Error de sensor de temperatura de líquido del Intercamb. de Calor de la unidad de exterior
●(7)	●(4)	◇	74	Error de sensor de temp. exterior
●(7)	●(5)	◇	75	Error de sensor de temp. del Gas de Succión
●(7)	●(6)	◇	76	• Error de sensor de temp. de la válvula de 2 vías • Error de sensor de temp. de la válvula de 3 vías
●(7)	●(7)	◇	77	Error de sensor de la temp. del cuerpo de refrigeración
●(8)	●(2)	◇	82	• Error de sensor de la temp. de la entrada de gas sub-frío del Intercamb. de calor • Error de sensor de la temp. de salida del gas sub-frío del Intercamb. de calor
●(8)	●(3)	◇	83	Error de sensor de la temp. de la tubería de líquido
●(8)	●(4)	◇	84	Error de sensor de corriente
●(8)	●(6)	◇	86	• Error en el sensor de presión de descarga • Error en el sensor de presión de succión • Error en el interruptor de presión alta
●(9)	●(4)	◇	94	Detección de activación
●(9)	●(5)	◇	95	Error de detección de la posición del rotor del compresor (paro permanente)
●(9)	●(7)	◇	97	Error del motor 1 del ventilador de la unidad exterior
●(9)	●(8)	◇	98	Error del motor 2 del ventilador de la unidad exterior
●(9)	●(9)	◇	99	Error en la válvula de 4 vías
●(9)	●(10)	◇	9A	Error de bobina (válvula de expansión)
●(10)	●(1)	◇	A1	Error en la temperatura de descarga
●(10)	●(3)	◇	A3	Error en la temperatura del compresor
●(10)	●(4)	◇	A4	Error de presión alta
●(10)	●(5)	◇	A5	Error de presión baja
●(13)	●(2)	◇	J2	Error de cajas de derivación [Flexible Multi]

Modo de visualización ● : 0,5s ON (encendido) / 0,5s OFF (apagado)

◇ : 0,1s ON (encendido) / 0,1s OFF (apagado)

( ) : Número de parpadeo

### [Solución de problemas con la pantalla de la unidad interior]



OPERACIÓN      ○      lámpara de OPERACIÓN (verde)  
 TEMPORIZADOR      ○      lámpara de temporizador (naranja)  
 ECONOMY (ECONÓMICO)      ○      lámpara de ECONOMY (ECONÓMICO) (verde)

### [Detección de desperfectos con la pantalla del control remoto cableado (Opción)]

Si ocurre un error, se mostrará la siguiente visualización. ("Er" aparecerá en la pantalla de ajuste de temperatura ambiente.)



Código de error