



# RHSA

Parts List  
11-March-2013



*This parts list is current as of the above revision date.  
See <http://www.rheempartslists.net/92-42800-RHSA.pdf> for the current revision.*

**Air Handlers**

# Table of Contents

Model Explanation .....	Page 3
<b>Parts Numbers</b>	
Panels - Miscellaneous (Granite-Steel Gray) .....	Page 4
Panels - Miscellaneous (Neutra Green) .....	Page 5
Electrical Group .....	Page 6
Blower Group.....	Page 7
Coil Parts .....	Page 8
Heater Kits .....	Page 8
<b>Drawings/Photographs</b>	
Exploded View .....	Page 10
Blower Assembly .....	Page 11
Notes/Disclaimer .....	Page 12

**MODEL NUMBER EXPLANATION**

<b>R</b>	<b>H</b>	<b>S</b>	<b>A</b>	<b>-</b>	<b>H</b>	<b>M</b>	<b>1</b>	<b>8</b>	<b>1</b>	<b>7</b>	<b>J</b>	<b>A</b>
1	2	3	4		5		6		7		8	9

- |   |  |
|---|--|
| <p><b>1</b>      <b>MODEL DESIGNATION</b></p> <p><b>2</b>      <b>H = AIR HANDLER</b></p> <p><b>3</b>      <b>S= STANDARD (PSC MOTOR)</b></p> <p><b>4</b>      <b>A = R-22 REFRIGERANT</b></p> <p><b>5</b>      <b>APPLICATION</b><br/>HM = A/C or Hp, Multi-Position</p> <p><b>6</b>      <b>CAPACITY</b><br/>18 = 18,000 BTU/HR<br/>24 = 24,000 BTU/HR<br/>30 = 30,000 BTU/HR<br/>36 = 36,000 BTU/HR<br/>42 = 42,000 BTU/HR<br/>48 = 48,000 BTU/HR<br/>60 = 60,000 BTU/HR</p> | <p><b>7</b>      <b>CABINET SIZE</b><br/>17 = 17.5 in.<br/>21 = 21 in.<br/>24 = 24.5 in.</p> <p><b>8</b>      <b>VOLTAGE</b><br/>A = 115/1/60<br/>D = 480/3/60<br/>J = 208-240/1/60</p> <p><b>9</b>      <b>DESIGN VARIATION</b></p> |
|---|--|

**SERIAL NUMBER EXPLANATION**

<b>M</b>	<b>0</b>	<b>7</b>	<b>0</b>	<b>6</b>	<b>9</b>	<b>9</b>	<b>9</b>	<b>9</b>	<b>9</b>
1	2	3	4						

- 1**      **PRODUCTION LOCATION**  
M = Milledgeville, GA
- 2**      **WEEK OF PRODUCTION**
- 3**      **YEAR OF PRODUCTION**
- 4**      **PRODUCTION NUMBER**

No.	Notes	MODEL CAPACITY CABINET SIZE VOLTAGE	RHSA 18/24 17 A/J	RHSA 30/36 17 A/D/J	RHSA 36 21 D/J	RHSA 42/48 21 A/D/J	RHSA 48 24 D/J	RHSA 60 24 D/J	
<b>SHEET METAL PARTS, MISCELLANEOUS (Granite/Steel Gray, After Date Code 0512)</b>									
1		Cabinet	AE-100682-31	AE-100682-31	AE-100682-32	AE-100682-33	AE-100682-35	AE-100682-35	
2		Coil Door	AE-100685-32	AE-100685-32	AE-100685-33	AE-100685-34	AE-100685-36	AE-100685-36	
3		Top Cover Plate	AE-100686-31	AE-100686-31	AE-100686-32	AE-100686-32	AE-100686-33	AE-100686-33	
4		Blower Door	AE-100684-31	AE-100684-31	AE-100684-32	AE-100684-32	AE-100684-33	AE-100684-33	
5		Access Panel	AE-101133-31	AE-101133-31	AE-101133-31	AE-101133-31	AE-101133-31	AE-101133-31	
		Poron Gasket (fits along inside flat edges of Coil Door, Blower Door, Access Panel)	68-42246-03	68-42246-03	68-42246-03	68-42246-03	68-42246-03	68-42246-03	
6		Drain Pan - Vertical	See RCSA Coil Parts List						
7		Drain Pan - Horizontal	See RCSA Coil Parts List						
8		Plate - Block Off	AE-100455-01	AE-100455-01	AE-100455-01	AE-100455-01	AE-100455-01	AE-100455-01	
9		Cabinet Brace	AE-101134-02	AE-101134-02	AE-101134-03	AE-101134-03	AE-101134-04	AE-101134-04	
10		Middle Brace	AE-101054-01	AE-101054-01	AE-101054-02	AE-101054-02	AE-101054-03	AE-101054-03	
13a		Heat Barrier	AE-100683-02	AE-100683-03	AE-100683-05	AE-100683-06	AE-100683-07	AE-100683-08	
13b		Heat Barrier Side (2)	AE-104241-01	AE-104241-01	AE-104241-01	AE-104241-01	AE-104241-01	AE-104241-01	
		Insulation Retainer Rod (2)	45-102868-02	45-102868-02	45-102868-03	45-102868-03	45-102868-04	45-102868-04	

No.	Notes	MODEL CAPACITY CABINET SIZE VOLTAGE	RHSA 18/24 17 A/J	RHSA 30/36 17 A/D/J	RHSA 36 21 D/J	RHSA 42/48 21 A/D/J	RHSA 48 24 D/J	RHSA 60 24 D/J	
<b>SHEET METAL PARTS, MISCELLANEOUS (Neutra Green, Before Date Code 0512)</b>									
1		Cabinet	AE-100682-01	AE-100682-01	AE-100682-02	AE-100682-03	AE-100682-05	AE-100682-05	
2		Coil Door	AE-100685-02	AE-100685-02	AE-100685-03	AE-100685-04	AE-100685-06	AE-100685-06	
3		Top Cover Plate	AE-100686-01	AE-100686-01	AE-100686-02	AE-100686-02	AE-100686-03	AE-100686-03	
4		Blower Door	AE-100684-01	AE-100684-01	AE-100684-02	AE-100684-02	AE-100684-03	AE-100684-03	
5		Access Panel	AE-101133-01	AE-101133-01	AE-101133-01	AE-101133-01	AE-101133-01	AE-101133-01	
		Poron Gasket (fits along inside flat edges of Coil Door, Blower Door, Access Panel)	68-42246-03	68-42246-03	68-42246-03	68-42246-03	68-42246-03	68-42246-03	
6		Drain Pan - Vertical	See RCSA Coil Parts List						
7		Drain Pan - Horizontal	See RCSA Coil Parts List						
8		Plate - Block Off	AE-100455-01	AE-100455-01	AE-100455-01	AE-100455-01	AE-100455-01	AE-100455-01	
9		Cabinet Brace	AE-101134-02	AE-101134-02	AE-101134-03	AE-101134-03	AE-101134-04	AE-101134-04	
10		Middle Brace	AE-101054-01	AE-101054-01	AE-101054-02	AE-101054-02	AE-101054-03	AE-101054-03	
13a		Heat Barrier	AE-100683-02	AE-100683-03	AE-100683-05	AE-100683-06	AE-100683-07	AE-100683-08	
13b		Heat Barrier Side (2)	AE-104241-01	AE-104241-01	AE-104241-01	AE-104241-01	AE-104241-01	AE-104241-01	
		Insulation Retainer Rod (2)	45-102868-02	45-102868-02	45-102868-03	45-102868-03	45-102868-04	45-102868-04	

No.	Notes	MODEL CAPACITY CABINET SIZE VOLTAGE	RHSA	RHSA	RHSA	RHSA	RHSA	RHSA
			18 17 A	18 17 J	24 17 A	24 17 J	30 17 A	30 17 J
<b>ELECTRICAL GROUP</b>								
17	Stk	Transformer	46-101944-02	46-101905-02	46-101944-02	46-101905-02	46-101944-02	46-101905-02
18	Stk	Control Board - Before M3807	47-100436-84A	47-100436-84J	47-100436-84A	47-100436-84J	47-100436-84A	47-100436-84J
18	Stk	Control Board - After M3807	47-100436-05	47-100436-05	47-100436-05	47-100436-05	47-100436-05	47-100436-05
	Stk	Fuse	44-101986-01	44-101986-01	44-101986-01	44-101986-01	44-101986-01	44-101986-01
		Relay	N/A	N/A	N/A	N/A	N/A	N/A
		Wiring Harness - Before M3807 4 Pin Molex to 2 stripped wires, 2 terminals	N/A	45-24371-43	N/A	45-24371-43	N/A	45-24371-43
		Wiring Harness - Before M3807 5 Pin Molex to 5 stripped wires (For T-Stat)	45-102645-01	N/A	45-102645-01	N/A	45-102645-01	N/A
		Wiring Harness - After M3807 5 Pin Molex to 3 stripped wires (For T-Stat)	45-102645-02	N/A	45-102645-02	N/A	45-102645-02	N/A
		Wiring Harness - After M3807 5 Pin Molex to 5 stripped wires	N/A	45-102645-01	N/A	45-102645-01	N/A	45-102645-01
11		Terminal Block	45-23222-02	45-23222-02	45-23222-02	45-23222-02	45-23222-02	45-23222-02

No.	Notes	MODEL CAPACITY CABINET SIZE VOLTAGE	RHSA	RHSA	RHSA	RHSA	RHSA	RHSA
			36 17 A	36 17 D	36 17/21 J	36 21 D	42 21 A	42/48 21/24 D
<b>ELECTRICAL GROUP</b>								
17	Stk	Transformer	46-101944-02	46-101946-02	46-101905-02	46-101946-02	46-101944-02	46-101946-02
18	Stk	Control Board - Before M3807	47-100436-84A	47-100436-84D	47-100436-84J	47-100436-84D	47-100436-84A	47-100436-84D
18	Stk	Control Board - After M3807	47-100436-05	47-100436-05	47-100436-05	47-100436-05	47-100436-05	47-100436-05
	Stk	Fuse	44-101986-01	N/A	44-101986-01	N/A	44-101986-01	N/A
	Stk	Relay - Before M3807	N/A	42-19736-02	N/A	42-19736-02	N/A	42-19736-02
	Stk	Relay - After M3807	N/A	42-19736-04	N/A	42-19736-04	N/A	42-19736-04
		Wiring Harness - Before M3807 4 Pin Molex to 2 stripped wires, 2 terminals	N/A	45-24371-43	45-24371-43	45-24371-43	N/A	45-24371-43
		Wiring Harness - Before M3807 5 Pin Molex to 5 stripped wires (For T-Stat)	45-102645-01	N/A	N/A	N/A	45-102645-01	N/A
		Wiring Harness - After M3807 5 Pin Molex to 3 stripped wires (For T-Stat)	45-102645-02	N/A	N/A	N/A	45-102645-02	N/A
		Wiring Harness - After M3807 5 Pin Molex to 5 stripped wires	N/A	45-102645-01	45-102645-01	45-102645-01	N/A	45-102645-01
11		Terminal Block	45-23222-02	45-23222-02	45-23222-02	45-23222-02	45-23222-02	45-23222-02

No.	Notes	MODEL CAPACITY CABINET SIZE VOLTAGE	RHSA	RHSA	RHSA	RHSA	RHSA	RHSA
			42 21 J	48 21 A	48 21 D	48 21/24 J	60 24 D	60 24 J
<b>ELECTRICAL GROUP</b>								
17	Stk	Transformer	46-101905-02	46-101944-02	46-101946-02	46-101905-02	46-101946-02	46-101905-02
18	Stk	Control Board - Before M3807	47-100436-84J	47-100436-84A	47-100436-84D	47-100436-84J	47-100436-84D	47-100436-84J
18	Stk	Control Board - After M3807	47-100436-05	47-100436-05	47-100436-05	47-100436-05	47-100436-05	47-100436-05
	Stk	Fuse	44-101986-01	44-101986-01	N/A	44-101986-01	N/A	44-101986-01
	Stk	Relay - Before M3807	N/A	N/A	42-19736-02	N/A	42-19736-02	N/A
	Stk	Relay - After M3807	N/A	N/A	42-19736-04	N/A	42-19736-04	N/A
		Wiring Harness - Before M3807 4 Pin Molex to 2 stripped wires, 2 terminals	45-24371-43	N/A	45-24371-43	45-24371-43	45-24371-43	45-24371-43
		Wiring Harness - Before M3807 5 Pin Molex to 5 stripped wires (For T-Stat)	N/A	45-102645-01	N/A	N/A	N/A	N/A
		Wiring Harness - After M3807 5 Pin Molex to 3 stripped wires (For T-Stat)	N/A	45-102645-02	N/A	N/A	N/A	N/A
		Wiring Harness - After M3807 5 Pin Molex to 5 stripped wires	45-102645-01	N/A	45-102645-01	45-102645-01	45-102645-01	45-102645-01
11		Terminal Block	45-23222-02	45-23222-02	45-23222-02	45-23222-02	45-23222-02	45-23222-02

No.	Notes	MODEL CAPACITY CABINET SIZE VOLTAGE	RHSA	RHSA	RHSA	RHSA	RHSA	RHSA
			18 17 A	18 17 J	24 17 A	24 17 J	30 17 A	30 17 J
<b>BLOWER GROUP</b>								
15	Stk	Blower Assembly (Includes items 16-22) - Before M3807	AS-101929-81	AS-101931-81	AS-101929-82	AS-101931-82	AS-101929-83	AS-101931-83
15	Stk	Blower Assembly (Includes items 16-22) - After M3807	AS-101929-01	AS-101931-01	AS-101929-02	AS-101931-02	AS-101929-03	AS-101931-03
16		Mounting Bracket - Control Board	AE-101049-01	AE-101049-01	AE-101049-01	AE-101049-01	AE-101049-01	AE-101049-01
17		Transformer	See Electrical Group					
18		Control Board	See Electrical Group					
19		Blower Housing w/Wheel	70-101729-01	70-101729-01	70-101729-01	70-101729-01	70-101729-02	70-101729-02
	Stk	Blower Wheel	703012	703012	703012	703012	703014	703014
20		Motor Mount - Band	70-19927-04	70-19927-04	70-19927-04	70-19927-04	70-19927-04	70-19927-04
21		Motor Mount - Arm (4)	70-19929-10	70-19929-10	70-19929-10	70-19929-10	70-19929-10	70-19929-10
22	Stk	Blower Motor (PSC)	51-102175-01	51-101728-01	51-102175-02	51-102500-07	51-102175-03	51-101728-03
	Stk	Capacitor - Blower Motor	43-101666-55	43-101666-55	43-100510-58	43-101666-55	43-100510-56	43-100510-56
		Capacitor Strap	AE-50892-12	AE-50892-12	AE-50892-12	AE-50892-12	AE-50892-12	AE-50892-12
23		Mounting Bracket Cover	AE-101797-01	AE-101797-01	AE-101797-01	AE-101797-01	AE-101797-01	AE-101797-01

No.	Notes	MODEL CAPACITY CABINET SIZE VOLTAGE	RHSA	RHSA	RHSA	RHSA	RHSA	RHSA
			36 17 A	36 17 D	36 17/21 J	36 21 D	42 21 A	42 21 D
<b>BLOWER GROUP</b>								
15	Stk	Blower Assembly (Includes items 16-22) - Before M3807	AS-101929-84	AS-101932-81	AS-101931-84	AS-101932-81	AS-101929-85	AS-101932-82
15	Stk	Blower Assembly (Includes items 16-22) - After M3807	AS-101929-04	AS-101932-01	AS-101931-04	AS-101932-01	AS-101929-05	AS-101932-02
16		Mounting Bracket - Control Board	AE-101049-01	AE-101049-01	AE-101049-01	AE-101049-01	AE-101049-01	AE-101049-01
17		Transformer	See Electrical Group					
18		Control Board	See Electrical Group					
19		Blower Housing w/Wheel	70-101729-02	70-101729-02	70-101729-02	70-101729-02	70-101729-03	70-101729-03
	Stk	Blower Wheel	703014	703014	703014	703014	703013	703013
20		Motor Mount - Band	70-19927-04	70-19927-04	70-19927-04	70-19927-04	70-19927-04	70-19927-04
21		Motor Mount - Arm (4)	70-19929-10	70-19929-10	70-19929-10	70-19929-10	70-19929-10	70-19929-10
22	Stk	Blower Motor (PSC)	51-102175-04	51-102182-01	51-101728-04	51-102182-01	51-102175-05	51-102182-02
	Stk	Capacitor - Blower Motor	43-100510-43	43-100510-43	43-21298-43	43-100510-43	43-100510-57	43-100510-57
		Capacitor Strap	AE-50892-12	AE-50892-12	AE-50892-12	AE-50892-12	AE-50892-12	AE-50892-12
23		Mounting Bracket Cover	AE-101797-01	AE-101797-01	AE-101797-01	AE-101797-01	AE-101797-01	AE-101797-01

No.	Notes	MODEL CAPACITY CABINET SIZE VOLTAGE	RHSA	RHSA	RHSA	RHSA	RHSA	RHSA
			48 21/24 D	42 21 J	48 21/24 J	48 21 A	60 24 D	60 24 J
<b>BLOWER GROUP</b>								
15	Stk	Blower Assembly (Includes items 16-22) - Before M3807	AS-101932-83	AS-101931-85	AS-101931-86	AS-101929-86	AS-101932-84	AS-101931-87
15	Stk	Blower Assembly (Includes items 16-22) - After M3807	AS-101932-03	AS-101931-05	AS-101931-06	AS-101929-06	AS-101932-04	AS-101931-07
16		Mounting Bracket - Control Board	AE-101049-01	AE-101049-01	AE-101049-01	AE-101049-01	AE-101049-01	AE-101049-01
17		Transformer	See Electrical Group					
18		Control Board	See Electrical Group					
19		Blower Housing w/Wheel	70-101729-03	70-101729-03	70-101729-03	70-101729-03	70-101729-04	70-101729-04
	Stk	Blower Wheel	703013	703013	703013	703013	703015	703015
20		Motor Mount - Band	70-19927-04	70-19927-04	70-19927-04	70-19927-04	70-19927-04	70-19927-04
21		Motor Mount - Arm (4)	70-19929-10	70-19929-10	70-19929-10	70-19929-10	70-19929-10	70-19929-10
22	Stk	Blower Motor (PSC)	51-102182-03	51-101728-05	51-101728-06	51-102175-06	51-102182-04	51-101728-07
	Stk	Capacitor - Blower Motor	43-100510-57	43-100510-57	43-100510-57	43-100510-57	43-100510-57	43-100510-57
		Capacitor Strap	AE-50892-12	AE-50892-12	AE-50892-12	AE-50892-12	AE-50892-12	AE-50892-12
23		Mounting Bracket Cover	AE-101797-01	AE-101797-01	AE-101797-01	AE-101797-01	AE-101797-01	AE-101797-01

No.	Notes	MODEL	RHSA	RHSA	RHSA	RHSA	RHSA
		CAPACITY	18/24	30/36	36	42/48	48
		CABINET SIZE	17	17	21	21	24
		VOLTAGE	A/J	A/D/J	D/J	A/D/J	D/J
<b>COIL GROUP</b>							
12	Replacement Coil w/TXV		RCSA-HM2417AU	RCSA-HM3617AU	RCSA-HM3621AU	RCSA-HM4821AU	RCSA-HM4824AU
	Drain Pan		See specified RCSA Coil Parts List				
	TXV		See specified RCSA Coil Parts List				

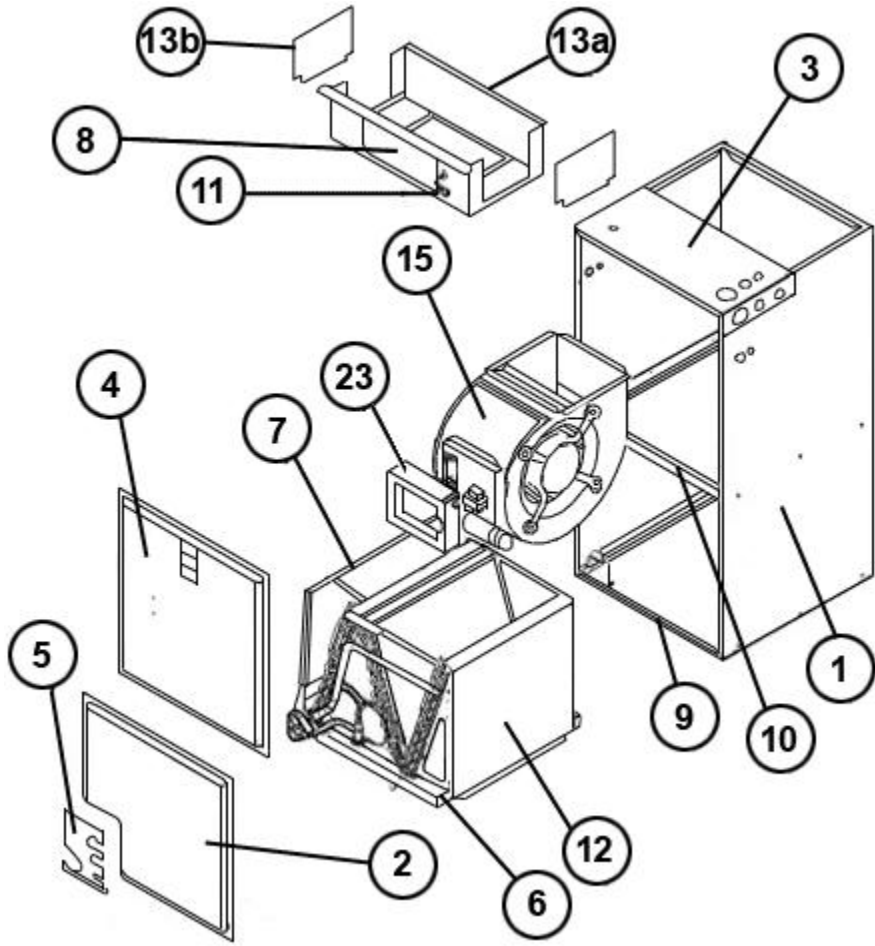
No.	Notes	MODEL	RHSA				
		CAPACITY	60				
		CABINET SIZE	24				
		VOLTAGE	D/J				
<b>COIL GROUP</b>							
12	Replacement Coil w/TXV		RCSA-HU6024AU				
	Drain Pan		See specified RCSA Coil Parts List				
	TXV		See specified RCSA Coil Parts List				

No.	Notes	MODEL	RHSA	RHSA	RHSA	RHSA	RHSA
		CAPACITY	18/24	30/36	36	42/48	60
		CABINET SIZE	17	17	21	21/24	24
		VOLTAGE	J	J	J	J	J
<b>HEATER KITS</b>							
	Heater Kit - 3kW/208-240/1		RXBH-17A03J RXBH-1724A03J RXBH-1724B03J RXBH-1724C03J	RXBH-17A03J RXBH-1724A03J RXBH-1724B03J RXBH-1724C03J	N/A	N/A	N/A
	Heater Kit - 5kW/208-240/1		RXBH-17A05J RXBH-1724A05J RXBH-1724B05J RXBH-1724C05J	RXBH-17A05J RXBH-1724A05J RXBH-1724B05J RXBH-1724C05J	RXBH-24A05J RXBH-1724A05J RXBH-1724B05J RXBH-1724C05J	RXBH-24A05J RXBH-1724A05J RXBH-1724B05J RXBH-1724C05J	RXBH-1724A05J RXBH-1724B05J RXBH-1724C05J
	Heater Kit - 7kW/208-240/1		RXBH-17A07J RXBH-1724A07J RXBH-1724B07J RXBH-1724C07J	RXBH-17A07J RXBH-1724A07J RXBH-1724B07J RXBH-1724C07J	RXBH-24A07J RXBH-1724A07J RXBH-1724B07J RXBH-1724C07J	RXBH-24A07J RXBH-1724A07J RXBH-1724B07J RXBH-1724C07J	RXBH-1724A07J RXBH-1724B07J RXBH-1724C07J
	Heater Kit - 10kW/208-240/1		RXBH-17A10J RXBH-1724A10J RXBH-1724B10J RXBH-1724C10J	RXBH-17A10J RXBH-1724A10J RXBH-1724B10J RXBH-1724C10J	RXBH-24A10J RXBH-1724A10J RXBH-1724B10J RXBH-1724C10J	RXBH-24A10J RXBH-1724A10J RXBH-1724B10J RXBH-1724C10J	RXBH-1724A10J RXBH-1724B10J RXBH-1724C10J
	Heater Kit - 13kW/208-240/1		RXBH-17A13J RXBH-1724A13J	RXBH-17A13J RXBH-1724A13J	N/A	N/A	N/A
	Heater Kit - 15kW/208-240/1		N/A	RXBH-17A15J RXBH-1724A15J	RXBH-24A15J RXBH-1724A15J	RXBH-24A15J RXBH-1724A15J	RXBH-24A15J RXBH-1724A15J
	Heater Kit - 18kW/208-240/1		N/A	RXBH-17A18J RXBH-1724A18J	RXBH-24A18J RXBH-1724A18J	RXBH-24A18J RXBH-1724A18J	RXBH-24A18J RXBH-1724A18J
	Heater Kit - 20kW/208-240/1		N/A	N/A	N/A	RXBH-24A20J	RXBH-24A20J
	Heater Kit - 25kW/208-240/1		N/A	N/A	N/A	RXBH-24A25J	RXBH-24A25J
	Heater Kit - 30kW/208-240/1		N/A	N/A	N/A	N/A	RXBH-24A30J
	Heater Kit - 7kW/208-240/3		RXBH-17A07C RXBH-1724A07C	RXBH-17A07C RXBH-1724A07C	RXBH-24A07C RXBH-1724A07C	RXBH-24A07C RXBH-1724A07C	RXBH-24A07C RXBH-1724A07C
	Heater Kit - 10kW/208-240/3		RXBH-17A10C RXBH-1724A10C	RXBH-17A10C RXBH-1724A10C	RXBH-24A10C RXBH-1724A10C	RXBH-24A10C RXBH-1724A10C	RXBH-24A10C RXBH-1724A10C
	Heater Kit - 13kW/208-240/3		RXBH-17A13C RXBH-1724A13C	RXBH-17A13C RXBH-1724A13C	N/A	N/A	N/A
	Heater Kit - 15kW/208-240/3		N/A	RXBH-17A15C RXBH-1724A15C	RXBH-24A15C RXBH-1724A15C	RXBH-24A15C RXBH-1724A15C	RXBH-24A15C RXBH-1724A15C
	Heater Kit - 18kW/208-240/3		N/A	RXBH-17A18C RXBH-1724A18C	RXBH-24A18C RXBH-1724A18C	RXBH-24A18C RXBH-1724A18C	RXBH-24A18C RXBH-1724A18C
	Heater Kit - 20kW/208-240/3		N/A	N/A	N/A	RXBH-24A20C	RXBH-24A20C
	Heater Kit - 25kW/208-240/3		N/A	N/A	N/A	RXBH-24A25C	RXBH-24A25C
	Heater Kit - 30kW/208-240/3		N/A	N/A	N/A	N/A	RXBH-24A30C

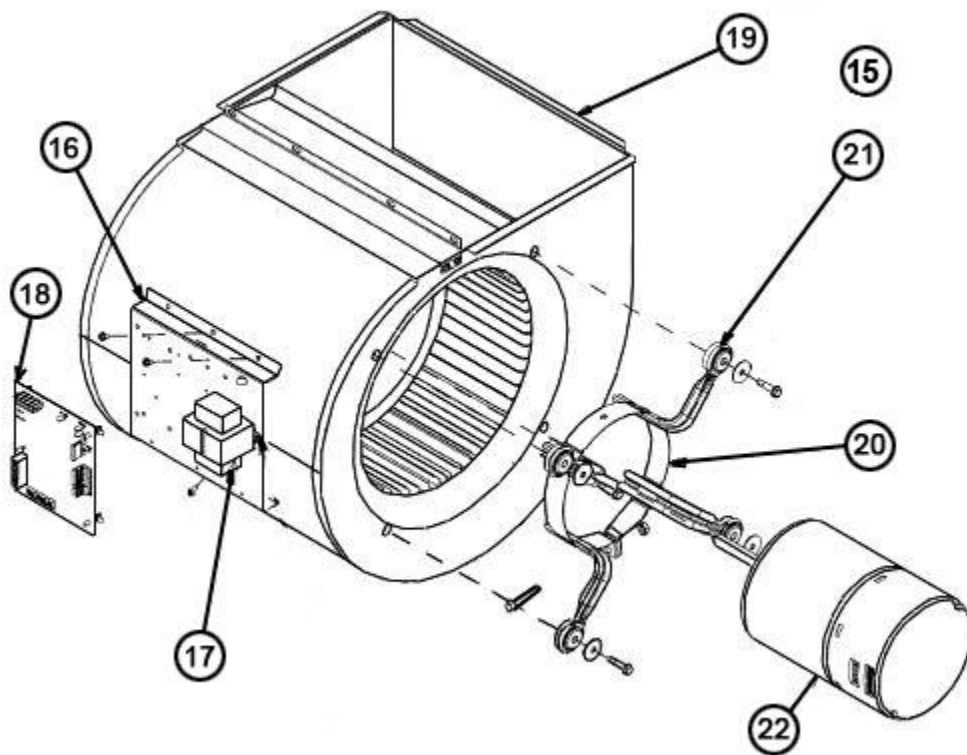
No.	Notes	MODEL	RHSA	RHSA	RHSA	RHSA	
		CAPACITY	30/36	36	42/48	60	
		CABINET SIZE	17	21	21/24	24	
		VOLTAGE	D	D	D	D	
<b>HEATER KITS</b>							
	Heater Kit - 7kW/480/3		RXBH-17A07D	RXBH-17A07D	RXBH-17A07D	RXBH-17A07D	
	Heater Kit - 10kW/480/3		RXBH-17A10D	RXBH-17A10D	RXBH-17A10D	RXBH-17A10D	
	Heater Kit - 15kW/480/3		RXBH-17A15D	RXBH-17A15D	RXBH-17A15D	RXBH-17A15D	
	Heater Kit - 18kW/480/3		RXBH-17A18D	RXBH-17A18D	RXBH-17A18D	RXBH-17A18D	
	Heater Kit - 20kW/480/3		N/A	N/A	RXBH-17A20D	RXBH-17A20D	
	Heater Kit - 25kW/480/3		N/A	N/A	RXBH-17A25D (4-ton only)	RXBH-17A25D	



	Heater Kit - 30kW/480/3	N/A	N/A	N/A	RXBH-17A30D	
--	-------------------------	-----	-----	-----	-------------	--



Exploded View



Blower Assembly

# NOTES

Stk It is recommended that stock be maintained for this part.  
N/A Not Applicable

**DISCLAIMER:** This document is intended to provide general replacement parts information to aid qualified service personnel in the repair of these models. The complete Model and Serial Number of the unit under repair should be specified when selecting and ordering replacement parts. Specifications and illustrations are subject to change without notice. Document 92-42800-RHSA supersedes all previous parts lists for these models. See <http://www.rheempartslists.net/92-42800-RHSA> for the latest revision of this document. The manufacturer assumes no obligation for errors or omissions. Service personnel must verify the proper and safe operation of equipment after the replacement of any original components.