



The new degree of comfort.™

SUBMITTAL COVER SHEET

PROJECT NAME _____

LOCATION _____

ARCHITECT _____

ENGINEER _____

CONTRACTOR _____

SUBMITTED BY _____ DATE _____

UNIT SUMMARY

Quantity						
Unit Designation						
Model No.						
Total Cooling						
Sensible Cooling						
Air Ent. Evaporator						
Air Lvg. Evaporator						
Heating Input						
Heating Output						
CFM/ESP						
EER/SEER						
Electrical						
Minimum Ampacity						
Min.-Max. Breaker						
Net Unit Weight						
Accessory						
Catalog Form Number						

ACCESSORIES:

NOTES:



SUBMITTAL SHEET FOR PACKAGE HEAT PUMPS

RHPD SERIES

NOMINAL SIZES 7.5-12.5 TONS [26-44 kW]



JOB NAME _____
 CONTRACTOR _____
 ENGINEER _____
 LOCATION _____
 ORDER NO. _____

SUBMITTED FOR APPROVAL RECORD
 SUBMITTED BY _____
 DATE _____
 UNIT DESIGNATION _____
 MODEL NO. _____

UNIT DATA

COOLING PERFORMANCE

TOTAL CAPACITY* MBH
 SENSIBLE CAPACITY* MBH
 OUTDOOR DESIGN TEMP. °F [°C] DB/WB
 TOTAL SUPPLY AIR CFM [L/s]
 TEMP. OF AIR ENTERING
 EVAPORATOR COIL °F [°C] DB/WB
 POWER INPUT REQUIREMENT kW
 SEER/EER RATING
 (*uses blower motor heat)

HEATING PERFORMANCE

HEAT PUMP HEATING PERFORMANCE
 CAPACITY @ 47°F MBH
 CAPACITY @ 17°F MBH
 COEFFICIENT OF PERFORMANCE
 @ 47°F C.O.P.
 @ 17°F C.O.P.
 H.S.P.F.
 AUX. ELECTRIC HEAT CAPACITY kW

SUPPLY AIR BLOWER PERFORMANCE

TOTAL SUPPLY AIR CFM [L/s]
 TOTAL RESISTANCE EXTERNAL
 TO UNIT IWG
 BLOWER SPEED RPM
 POWER OUTPUT REQUIREMENT BHP
 MOTOR RATING HP [W]
 POWER INPUT REQUIREMENT kW

ELECTRICAL DATA

POWER SUPPLY Hz
 TOTAL UNIT AMPACITY AMPS
 MINIMUM WIRE SIZE AWG
 MAXIMUM OVERCURRENT DEVICE
 FUSES HACR BREAKER AMPS

TOTAL UNIT WEIGHT

TOTAL OPERATING WEIGHT LBS [kg]
 (including field-installed accessories)

CLEARANCES

FRONT	48" [1219 mm]
CONDENSER COIL	18" [457 mm]
DUCT SIDE	12" [305 mm]
EVAPORATOR END	36" [914 mm]
ABOVE UNIT	60" [1524 mm]

FEATURES FOR RHPD SERIES PACKAGE HEAT PUMP UNITS

- Factory charged with R-410A HFC refrigerant
- Wired and run tested
- Scroll compressors with internal line break overload and high pressure protection
- Model RHPDZR has a single-stage compressor
- Models RHPDZS and RHPDZT have two-stage compressor
- Convertible airflow – vertical down flow or horizontal side flow
- Forkable base rails for easy handling and lifting
- Cooling operation up to 125°F ambient
- MicroChannel evaporator and condenser coil
- PlusOne® ServiceSmart package includes:
 Qwik-Change Flex-Fit Rack
 Qwik-Slide Blower Assembly
 Qwik-Clean Drain Pan
- Overflow condensate sensor
- PlusOne® Diagnostics with Dual 7-Segment LED Display to meet code compliance
- One-piece top cover and base pan with drawn supply and return opening
- Two-piece control door
- ¼ turn fasteners on filter access door
- Color-coded and labeled wiring
- External lockable gauge ports
- TXV refrigerant metering system
- Solid-core liquid line filter drier
- High pressure and low pressure/loss of charge protection with built in Smart Logic
- Insulation encapsulated throughout entire unit
- High performance belt drive motor with variable pitch pulleys and quick adjust belt system
- Variable Frequency Drive (VFD) blower is standard on Model RHPDZT and optional on model RHPDZS
- New product footprint with matching connections
- Improved factory lead times

[] Designates Metric Conversions

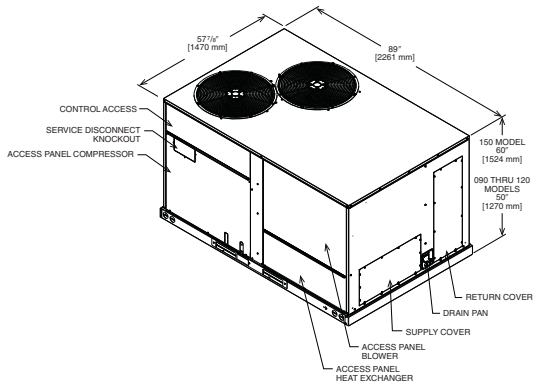


Illustration ST-A1273-01-D

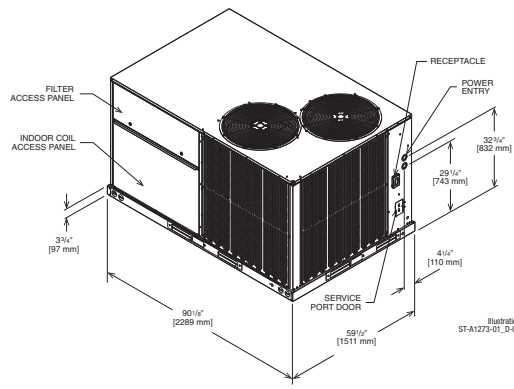


Illustration ST-A1273-01-D-00

SUPPLY AND RETURN DIMENSIONS FOR HORIZONTAL APPLICATIONS

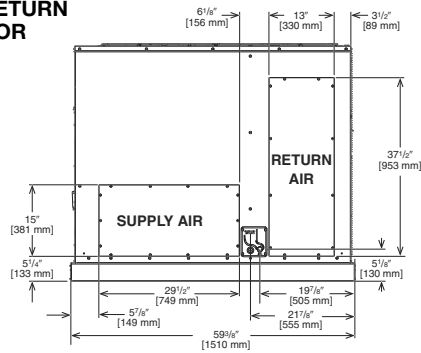


Illustration ST-A1273-01-F

SUPPLY AND RETURN DIMENSIONS FOR DOWNFLOW APPLICATIONS

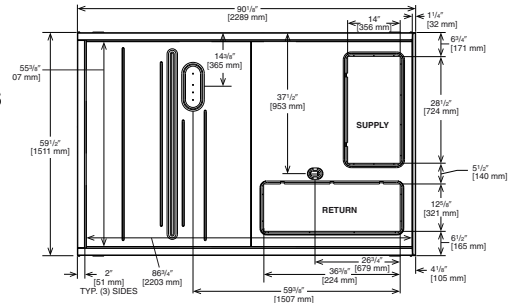


Illustration ST-A1273-01-A-00

[] Designates Metric Conversions

Accessory
Economizer w/Single Enthalpy (Downflow)
Economizer w/Single Enthalpy (Horizontal)
Economizer-w/Single Enthalpy (Downflow) DDC
Economizer w/Single Enthalpy (Horizontal) DDC
Dual Enthalpy Kit
Dual Enthalpy Kit DDC
Carbon Dioxide Sensor (Wall Mount)
Power Exhaust
Power Exhaust
Manual Fresh Air Damper
Motorized Fresh Air Damper
Motorized Fresh Air Damper (DDC)
Roofcurb, 14"
Roofcurb, 24"
Roofcurb Adapter
Concentric Diffuser 7.5/8.5 Ton Flush
Concentric Diffuser 10.0 Ton Flush
Concentric Diffuser 12.5 Ton Flush
Concentric Diffuser 7.5/8.5 Ton Drop
Concentric Diffuser 10.0 Ton Drop
Concentric Diffuser 12.5 Ton Drop

Accessory
Concentric Adapter 7.5/8.5 Ton Drop
Concentric Adapter 10 Ton Drop
Concentric Adapter 12.5 Ton Drop
Outdoor Coil Louver Kit - ACD/090/102/120
Outdoor Coil Louver Kit - ACD150
Unwired Convenience Outlet
Unfused Service Disconnect
Comfort Alert (1 Per Compressor)
Comfort Alert (1 Per Compressor)
BACnet Communication Card
LonWorks Communication Card
Room Humidity Sensor
Room Temperature and Relative Humidity Sensor
Low-Ambient Control Kit
Freeze Stat Kit
Variable Frequency Drive Kit*
*See model number break down below
Electric Heater Kits
Single Point Wiring Kit*

Before proceeding with installation, refer to installation instructions packaged with each model, as well as complying with all Federal, State, Provincial, and Local codes, regulations, and practices.

Rheem Sales Company, Inc.
P.O. Box 17010, Fort Smith, AR 72917

"In keeping with its policy of continuous progress and product improvement, Rheem reserves the right to make changes without notice."