



RHMV

Parts List
06-September-2018



*This parts list is current as of the above revision date.
See <http://www.rheempartslists.net/92-42800-RHMV.pdf> for the current revision.*

Air Handlers

Table of Contents

Model Explanation	Page 3
Parts Numbers	
Panels - Miscellaneous	Page 4
Electrical Group	Page 5
Blower Group.....	Page 6
Coil Parts	Page 7
Heater Kits	Page 8
Drawings/Photographs	
Exploded View	Page 9
Blower Assembly	Page 10
Notes/Disclaimer	Page 11

MODEL NUMBER EXPLANATION

R	H	M	V	2	4	1	7	S	E	A	C	J	A	***
1	2	3	4	5		6		7	8	9	10	11	12	13

- | | |
|--|--|
| <p>(1) BRAND</p> <p>(2) AIR HANDLER</p> <p>(3) STAGE OF AIRFLOW
M = Modulating</p> <p>(4) MOTOR TYPE
V = Variable Speed</p> <p>(5) CAPACITY (BTU/HR)
18 = 18,000 BTU/HR
24 = 24,000 BTU/HR
30 = 30,000 BTU/HR
36 = 36,000 BTU/HR
42 = 42,000 BTU/HR
48 = 48,000 BTU/HR
60 = 60,000 BTU/HR</p> <p>(6) WIDTH
17 = 17.5 in. (600 - 1200 CFM)
21 = 21 in. (800 - 1600 CFM)
24 = 24.5 in. (1400 - 1800 CFM)</p> <p>(7) EFFICIENCY
S = Standard
M = Medium
H = High
U = Ultra</p> | <p>(8) METERING DEVICE
T = TEV
E = EEV
P = Piston</p> <p>(9) MAJOR SERIES
A = First</p> <p>(10) CONTROLS
C = Communicating
N = Non-Communicating</p> <p>(11) VOLTAGE
A = 115/1/60
D = 460/3/60
J = 208-230/1/60
T = 220-240/1/50</p> <p>(12) MINOR SERIES
A = First</p> <p>(13) OPTION CODE
Blank = None</p> |
|--|--|

SERIAL NUMBER EXPLANATION

W	0	7	0	9	9	9	9	9	9
1	2	3	4						

- 1 PRODUCTION LOCATION**
W = Nuevo Laredo (West)
- 2 WEEK OF PRODUCTION**
- 3 YEAR OF PRODUCTION**
- 4 PRODUCTION NUMBER**

No.	Notes	MODEL	RHMV	RHMV	RHMV	RHMV
		CAPACITY	24	24	24	24
		CABINET SIZE	17	21	21	21
		COIL SIZE/METERING	SE	HE	UE	ME
		MAJOR SERIES/CONTROLS	AC	AC	AC	AC
		VOLTAGE/MINOR SERIES	JA	JA	JA	JA
PANELS, SHEET METAL, MISCELLANEOUS						
1		Cabinet	AE-100682-31	AE-100682-33	AE-100682-36	AE-100682-32
		Insulation - Cabinet	68-101121-01	68-101121-03	68-101121-15	68-101121-02
		Insulation Retainer Rod (2)	45-102868-02	45-102868-03	45-102868-03	45-102868-03
2		Coil Door	AE-100685-32	AE-100685-34	AE-100685-37	AE-100685-33
		Insulation - Coil Door	68-101577-06	68-101577-08	68-101577-10	68-101577-07
3		Top Cover Plate	AE-100686-31	AE-100686-32	AE-100686-32	AE-100686-32
		Insulation - Top Cover Plate	68-101122-01	68-101122-02	68-101122-02	68-101122-02
4		Blower Door	AE-100684-31	AE-100684-32	AE-100684-32	AE-100684-32
		Insulation - Blower Door	68-101576-01	68-101576-02	68-101576-02	68-101576-02
5		Access Panel	AE-101133-31	AE-101133-31	AE-101133-31	AE-101133-31
		Insulation - Access Panel	68-101644-01	68-101644-01	68-101644-01	68-101644-01
6		Drain Pan - Vertical	See RCH Coil Parts List			
7		Drain Pan - Horizontal	See RCH Coil Parts List			
8		Plate - Block Off	AE-100455-01	AE-100455-01	AE-100455-01	AE-100455-01
9		Cabinet Brace	AE-101134-02	AE-101134-03	AE-101134-03	AE-101134-03
10		Middle Brace	AE-101054-01	AE-101054-02	AE-101054-02	AE-101054-02
13a		Heat Barrier	AE-100683-03	AE-100683-06	AE-100683-06	AE-100683-05
13b		Heat Barrier Side (2)	AE-104241-01	AE-104241-01	AE-104241-01	AE-104241-01
		Touch-up Paint - Granite/Steel Gray (Aerosol)	PD523018	PD523018	PD523018	PD523018
		Touch-up Paint - Granite/Steel Gray (Paint Pens)	PD523019	PD523019	PD523019	PD523019

No.	Notes	MODEL	RHMV	RHMV	RHMV	
		CAPACITY	36	60	60	
		CABINET SIZE	17	21	24	
		COIL SIZE/METERING	SE	SE	ME	
		MAJOR SERIES/CONTROLS	AC	AC	AC	
		VOLTAGE/MINOR SERIES	JA	JA	JA	
PANELS, SHEET METAL, MISCELLANEOUS						
1		Cabinet	AE-100682-31	AE-100682-36	AE-100682-35	
		Insulation - Cabinet	68-101121-01	68-101121-15	68-101121-04	
		Insulation Retainer Rod (2)	45-102868-02	45-102868-03	45-102868-04	
2		Coil Door	AE-100685-32	AE-100685-37	AE-100685-36	
		Insulation - Coil Door	68-101577-06	68-101577-10	68-101577-09	
3		Top Cover Plate	AE-100686-31	AE-100686-32	AE-100686-33	
		Insulation - Top Cover Plate	68-101122-01	68-101122-02	68-101122-03	
4		Blower Door	AE-100684-31	AE-100684-32	AE-100684-33	
		Insulation - Blower Door	68-101576-01	68-101576-02	68-101576-03	
5		Access Panel	AE-101133-31	AE-101133-31	AE-101133-31	
		Insulation - Access Panel	68-101644-01	68-101644-01	68-101644-01	
6		Drain Pan - Vertical	See RCH Coil Parts List			
7		Drain Pan - Horizontal	See RCH Coil Parts List			
8		Plate - Block Off	AE-100455-01	AE-100455-01	AE-100455-01	
9		Cabinet Brace	AE-101134-02	AE-101134-03	AE-101134-04	
10		Middle Brace	AE-101054-01	AE-101054-02	AE-101054-03	
13a		Heat Barrier	AE-100683-03	AE-100683-06	AE-100683-08	
13b		Heat Barrier Side (2)	AE-104241-01	AE-104241-01	AE-104241-01	
		Touch-up Paint - Granite/Steel Gray (Aerosol)	PD523018	PD523018	PD523018	
		Touch-up Paint - Granite/Steel Gray (Paint Pens)	PD523019	PD523019	PD523019	

No.	Notes	MODEL	RHMV	RHMV	RHMV	RHMV
		CAPACITY	24	24	24	24
		CABINET SIZE	17	21	21	21
		COIL SIZE/METERING	SE	HE	UE	ME
		MAJOR SERIES/CONTROLS	AC	AC	AC	AC
		VOLTAGE/MINOR SERIES	JA	JA	JA	JA
ELECTRICAL GROUP						
17	Stk	Transformer	46-101905-01	46-101905-01	46-101905-01	46-101905-01
18	Stk	Control Board	47-105415-01	47-105415-01	47-105415-02	47-105415-01
		Control Identity EEPROM	47-102738-65	47-102738-117	47-102738-150	47-102738-62
		Wiring Harness - 11 Pin Molex to 11 stripped wires (For T-Stat)	45-101891-02	45-101891-02	45-101891-02	45-101891-02
		Wiring Harness - 5 pin to 1 Ring and 2 Straight Terminals	45-24258-16	45-24258-16	45-24258-16	45-24258-16
		Wiring Harness - 4 pin to 4 pin (Indoor Blower Motor)	45-24258-31	45-24258-31	45-24258-31	45-24258-31
11		Terminal Block	45-23222-02	45-23222-02	45-23222-02	45-23222-02
		Sensor/Clip Assembly	47-102710-16	47-102710-16	47-102710-16	47-102710-16

No.	Notes	MODEL	RHMV	RHMV	RHMV	
		CAPACITY	36	60	60	
		CABINET SIZE	17	21	24	
		COIL SIZE/METERING	SE	SE	ME	
		MAJOR SERIES/CONTROLS	AC	AC	AC	
		VOLTAGE/MINOR SERIES	JA	JA	JA	
ELECTRICAL GROUP						
17	Stk	Transformer	46-101905-01	46-101905-01	46-101905-01	
18	Stk	Control Board	47-105415-01	47-105415-01	47-105415-01	
		Control Identity EEPROM	47-102738-66	47-102738-63	47-102738-64	
		Wiring Harness - 11 Pin Molex to 11 stripped wires (For T-Stat)	45-101891-02	45-101891-02	45-101891-02	
		Wiring Harness - 5 pin to 1 Ring and 2 Straight Terminals	45-24258-16	45-24258-16	45-24258-16	
		Wiring Harness - 4 pin to 4 pin (Indoor Blower Motor)	45-24258-31	45-24258-31	45-24258-31	
11		Terminal Block	45-23222-02	45-23222-02	45-23222-02	
		Sensor/Clip Assembly	47-102710-16	47-102710-16	47-102710-16	

No.	Notes	MODEL	RHMV	RHMV	RHMV	RHMV
		CAPACITY	24	24	24	24
		CABINET SIZE	17	21	21	21
		COIL SIZE/METERING	SE	HE	UE	ME
		MAJOR SERIES/CONTROLS	AC	AC	AC	AC
		VOLTAGE/MINOR SERIES	JA	JA	JA	JA
BLOWER GROUP						
15	Stk	Blower Assembly (Includes items 16-22) before W0417	AS-101885-25	AS-101885-29	AS-101885-26	AS-101885-25
15	Stk	Blower Assembly (Includes items 16-22) on or after W0417	AS-101885-25	AS-101885-28	AS-101885-26	AS-101885-25
16		Mounting Bracket - Control Board	AE-101049-01	AE-101049-01	AE-101049-01	AE-101049-01
17		Transformer	See Electrical Group			
18		Control Board	See Electrical Group			
		Control Identity EEPROM	See Electrical Group			
19		Blower Housing w/Wheel (before W0417)	70-101729-02	70-101729-08	70-101729-08	70-101729-02
	Stk	Blower Wheel (before W0417)	703014	703023	703023	703014
19		Blower Housing w/Wheel (on or after W0417)	70-101729-02	70-101729-02	70-101729-08	70-101729-02
	Stk	Blower Wheel (on or after W0417)	703014	703014	703023	703014
20		Motor Mount - Band	70-19927-04	70-19927-04	70-19927-04	70-19927-04
21		Motor Mount - Arm (4)	70-19929-10	70-19929-10	70-19929-10	70-19929-10
22	Stk	Blower Motor	51-104388-01	51-104389-01	51-102603-01	51-104388-01
23		Mounting Bracket Cover	AE-101797-01	AE-101797-01	AE-101797-01	AE-101797-01

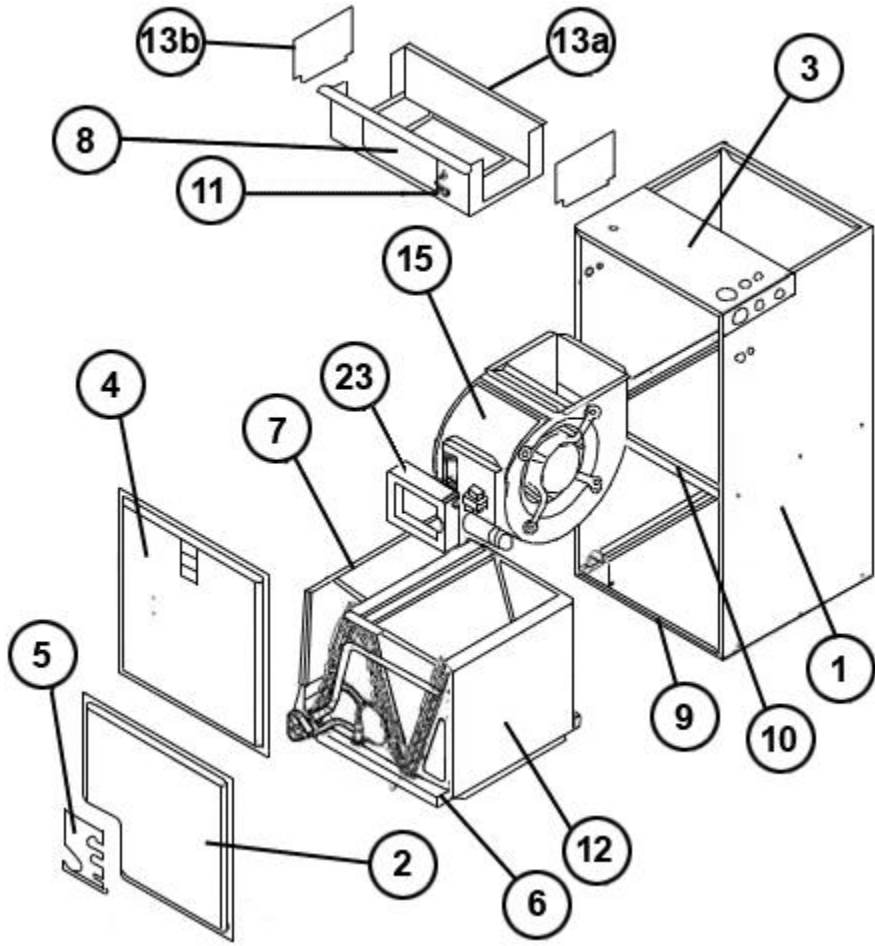
No.	Notes	MODEL	RHMV	RHMV	RHMV	
		CAPACITY	36	60	60	
		CABINET SIZE	17	21	24	
		COIL SIZE/METERING	SE	SE	ME	
		MAJOR SERIES/CONTROLS	AC	AC	AC	
		VOLTAGE/MINOR SERIES	JA	JA	JA	
BLOWER GROUP						
15	Stk	Blower Assembly (Includes items 16-22)	AS-101885-28	AS-101885-26	AS-101885-27	
16		Mounting Bracket - Control Board	AE-101049-01	AE-101049-01	AE-101049-01	
17		Transformer	See Electrical Group			
18		Control Board	See Electrical Group			
		Control Identity EEPROM	See Electrical Group			
19		Blower Housing w/Wheel	70-101729-02	70-101729-08	70-101729-04	
	Stk	Blower Wheel	703014	703023	703015	
20		Motor Mount - Band	70-19927-04	70-19927-04	70-19927-04	
21		Motor Mount - Arm (4)	70-19929-10	70-19929-10	70-19929-10	
22	Stk	Blower Motor	51-104389-01	51-102603-01	51-102603-01	
23		Mounting Bracket Cover	AE-101797-01	AE-101797-01	AE-101797-01	

No.	Notes	MODEL	RHMV	RHMV	RHMV	RHMV
		CAPACITY	24	24	24	24
		CABINET SIZE	17	21	21	21
		COIL SIZE/METERING	SE	HE	UE	ME
		MAJOR SERIES/CONTROLS	AC	AC	AC	AC
		VOLTAGE/MINOR SERIES	JA	JA	JA	JA
COIL GROUP						
12		Replacement Coil w/TXV	RCH-2417SEAVUA	RCH-3621MEAVUA	RCH-2421UEAVUA	RCH-2421MEAVUA
		Horizontal Adapter Kit	See specified RCH Coil Parts List			
		Drain Pan - Vertical	See specified RCH Coil Parts List			
		TXV	See specified RCH Coil Parts List			

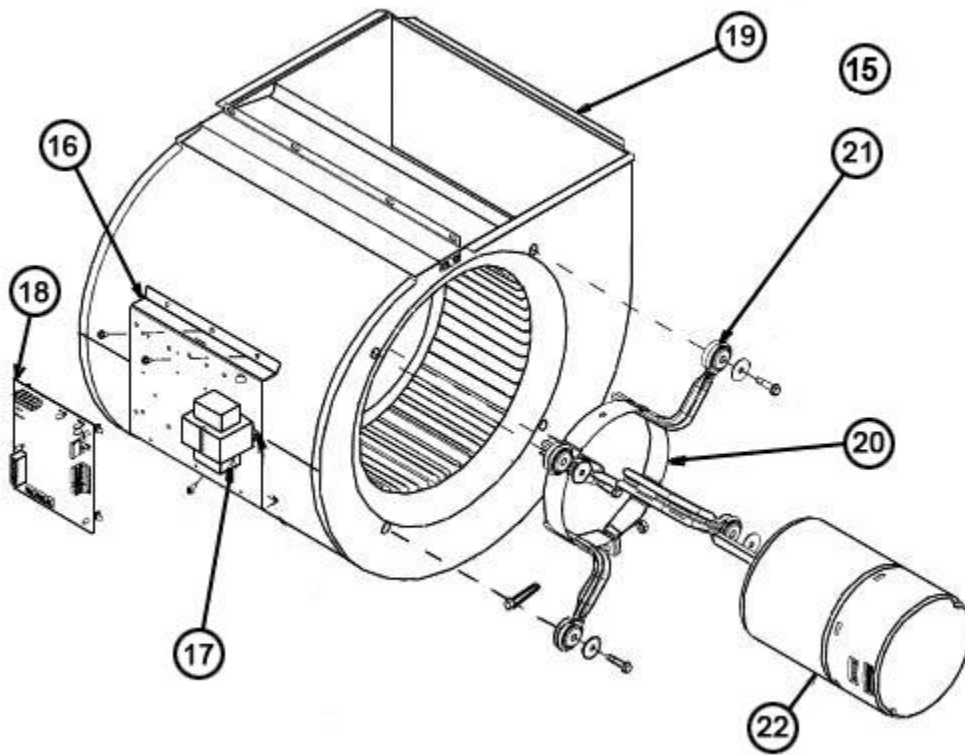
No.	Notes	MODEL	RHMV	RHMV	RHMV	
		CAPACITY	36	60	60	
		CABINET SIZE	17	21	24	
		COIL SIZE/METERING	SE	SE	ME	
		MAJOR SERIES/CONTROLS	AC	AC	AC	
		VOLTAGE/MINOR SERIES	JA	JA	JA	
COIL GROUP						
12		Replacement Coil w/TXV	RCH-3617SEAVUA	RCH-6021SEAVUA	RCH-6024MEAVUA	
		Horizontal Adapter Kit	See specified RCH Coil Parts List			
		Drain Pan - Vertical	See specified RCH Coil Parts List			
		TXV	See specified RCH Coil Parts List			

No.	Notes	MODEL	RHMV	RHMV	RHMV	RHMV
		CAPACITY	24	24	24	24
		CABINET SIZE	17	21	21	21
		COIL SIZE/METERING	SE	HE	UE	ME
		MAJOR SERIES/CONTROLS	AC	AC	AC	AC
		VOLTAGE/MINOR SERIES	JA	JA	JA	JA
HEATER KITS						
		Heater Kit - 5kW/208-240/1	RXBH-1724A05J RXBH-1724B05J RXBH-1724C05J	RXBH-1724A05J RXBH-1724B05J RXBH-1724C05J	RXBH-1724A05J RXBH-1724B05J RXBH-1724C05J	RXBH-1724A05J RXBH-1724B05J RXBH-1724C05J
		Heater Kit - 7kW/208-240/1	RXBH-1724A07J RXBH-1724B07J RXBH-1724C07J	RXBH-1724A07J RXBH-1724B07J RXBH-1724C07J	RXBH-1724A07J RXBH-1724B07J RXBH-1724C07J	RXBH-1724A07J RXBH-1724B07J RXBH-1724C07J
		Heater Kit - 10kW/208-240/1	RXBH-1724A10J RXBH-1724B10J RXBH-1724C10J	RXBH-1724A10J RXBH-1724B10J RXBH-1724C10J	RXBH-1724A10J RXBH-1724B10J RXBH-1724C10J	RXBH-1724A10J RXBH-1724B10J RXBH-1724C10J
		Heater Kit - 15kW/208-240/1	N/A	N/A	N/A	N/A
		Heater Kit - 18kW/208-240/1	N/A	N/A	N/A	N/A

No.	Notes	MODEL	RHMV	RHMV	RHMV	
		CAPACITY	36	60	60	
		CABINET SIZE	17	21	24	
		COIL SIZE/METERING	SE	SE	ME	
		MAJOR SERIES/CONTROLS	AC	AC	AC	
		VOLTAGE/MINOR SERIES	JA	JA	JA	
HEATER KITS						
		Heater Kit - 5kW/208-240/1	RXBH-1724A05J RXBH-1724B05J RXBH-1724C05J	RXBH-1724A05J RXBH-1724B05J RXBH-1724C05J	RXBH-1724A05J RXBH-1724B05J RXBH-1724C05J	
		Heater Kit - 7kW/208-240/1	RXBH-1724A07J RXBH-1724B07J RXBH-1724C07J	RXBH-1724A07J RXBH-1724B07J RXBH-1724C07J	RXBH-1724A07J RXBH-1724B07J RXBH-1724C07J	
		Heater Kit - 10kW/208-240/1	RXBH-1724A10J RXBH-1724B10J RXBH-1724C10J	RXBH-1724A10J RXBH-1724B10J RXBH-1724C10J	RXBH-1724A10J RXBH-1724B10J RXBH-1724C10J	
		Heater Kit - 15kW/208-240/1	RXBH-1724A15J	RXBH-1724A15J	RXBH-1724A15J	
		Heater Kit - 18kW/208-240/1	RXBH-1724A18J	RXBH-1724A18J	RXBH-1724A18J	
		Heater Kit - 20kW/208-240/1	RXBH-24A20J	RXBH-24A20J	RXBH-24A20J	
		Heater Kit - 25kW/208-240/1	RXBH-24A25J	RXBH-24A25J	RXBH-24A25J	
		Heater Kit - 30kW/208-240/1	N/A	N/A	RXBH-24A30J	



Exploded View



Blower Assembly

NOTES

Stk It is recommended that stock be maintained for this part.
N/A Not Applicable

DISCLAIMER: This document is intended to provide general replacement parts information to aid qualified service personnel in the repair of these models. The complete Model and Serial Number of the unit under repair should be specified when selecting and ordering replacement parts. Specifications and illustrations are subject to change without notice. Document 92-42800-RHMV supersedes all previous parts lists for these models. See <http://www.rheempartslists.net/92-42800-RHMV> for the latest revision of this document. The manufacturer assumes no obligation for errors or omissions. Service personnel must verify the proper and safe operation of equipment after the replacement of any original components.