



# RHML

Parts List  
27-May-2014



*This parts list is current as of the above revision date.  
See <http://www.rheempartslists.net/92-42800-RHML.pdf> for the current revision.*

**Air Handlers**

# Table of Contents

Model Explanation .....	Page 3
Panels - Miscellaneous .....	Page 4
Blower Group .....	Page 4
Electrical Group .....	Page 4
Coil Parts .....	Page 5
Heater Kits .....	Page 5
Accessories .....	Page 5
<b>Drawings/Photographs</b>	
Exploded View .....	Page 6
Blower Assembly .....	Page 7
Notes/Disclaimer .....	Page 8

**MODEL NUMBER EXPLANATION**

<b>R</b>	<b>H</b>	<b>M</b>	<b>L</b>	<b>-</b>	<b>HM</b>	<b>24</b>	<b>21</b>	<b>J</b>	<b>A</b>
1	2	3	4		5	6	7	8	9

- |          |  |          |   |
|----------|--|----------|---|
| <b>1</b> | <b>MODEL DESIGNATION</b>   | <b>7</b> | <b>CABINET SIZE</b><br>21 = 21 in.<br>24 = 24.5 in. |
| <b>2</b> | <b>H = AIR HANDLER</b>   |          |   |
| <b>3</b> | <b>M = 16 SEER</b>   | <b>8</b> | <b>VOLTAGE</b><br>J = 208-240/1/60                  |
| <b>4</b> | <b>L = R-410A</b>  |          |   |
| <b>5</b> | <b>HM = A/C OR HP, MULTI-POSITION</b>  | <b>9</b> | <b>DESIGN VARIATION</b><br>A = First Design         |
| <b>6</b> | <b>CAPACITY (BTU/HR)</b><br>24 = 24,000<br>36 = 36,000<br>48 = 48,000<br>60 = 60,000 |          |   |

**SERIAL NUMBER EXPLANATION**

<b>W</b>	<b>0</b>	<b>7</b>	<b>1</b>	<b>2</b>	<b>9</b>	<b>9</b>	<b>9</b>	<b>9</b>	<b>9</b>
1	2	3	4	5	6	7	8	9	10

- |          |  |
|----------|--|
| <b>1</b> | <b>PRODUCTION LOCATION</b><br>W = Nuevo Laredo (West), Mex |
| <b>2</b> | <b>WEEK OF PRODUCTION</b>                                  |
| <b>3</b> | <b>YEAR OF PRODUCTION</b>                                  |
| <b>4</b> | <b>PRODUCTION NUMBER</b>                                   |

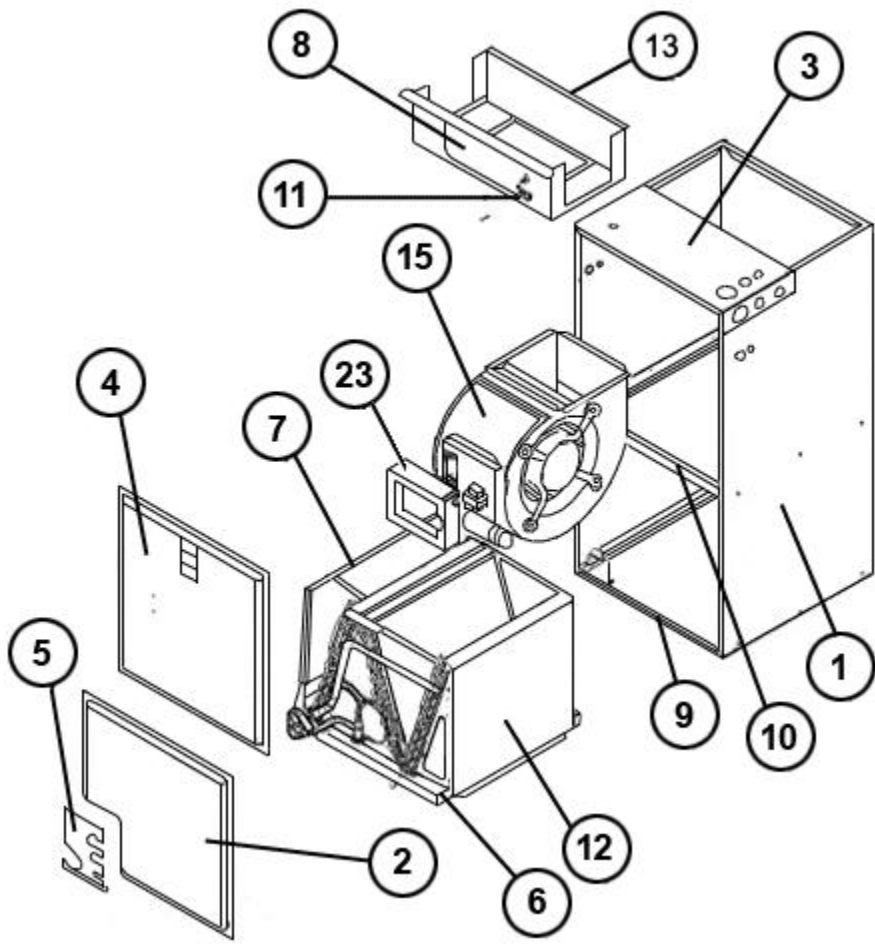
No.	Notes	MODEL CAPACITY CABINET SIZE VOLTAGE VARIATION	RHML	RHML	RHML	RHML
			24 21 J A	36 21 J A	48 24 J A	60 24 J A
<b>PANELS, SHEET METAL, MISCELLANEOUS</b>						
1		Cabinet	AE-100682-32	AE-100682-33	AE-100682-35	AE-100682-35
2		Coil Door	AE-100685-33	AE-100685-34	AE-100685-36	AE-100685-36
3		Top Cover Plate	AE-100686-32	AE-100686-32	AE-100686-33	AE-100686-33
4		Blower Door	AE-100684-32	AE-100684-32	AE-100684-33	AE-100684-33
5		Access Panel	AE-101133-31	AE-101133-31	AE-101133-31	AE-101133-31
6		Drain Pan - Vertical	See Coil Parts List			
7		Drain Pan - Horizontal	See Coil Parts List			
8		Plate - Block Off	AE-100455-01	AE-100455-01	AE-100455-01	AE-100455-01
9		Cabinet Brace	AE-101134-03	AE-101134-03	AE-101134-04	AE-101134-04
10		Middle Brace	AE-101054-02	AE-101054-02	AE-101054-03	AE-101054-03
13		Heat Barrier	AE-100683-05	AE-100683-06	AE-100683-08	AE-100683-08
		Insulation Retainer Rod (2)	45-102868-03	45-102868-03	45-102868-04	45-102868-04

No.	Notes	MODEL CAPACITY CABINET SIZE VOLTAGE VARIATION	RHML	RHML	RHML	RHML
			24 21 J A	36 21 J A	48 24 J A	60 24 J A
<b>ELECTRICAL GROUP</b>						
17	Stk	Transformer	46-101905-01	46-101905-01	46-101905-01	46-101905-01
18	Stk	Control Board - (X-13)	47-102077-02	47-102077-02	47-102077-02	47-102077-02
		Wiring Harness - 5 pin to 5 strip leads (For T-Stat)	45-101891-06	45-101891-06	45-101891-06	45-101891-06
11		Terminal Block	45-23222-02	45-23222-02	45-23222-02	45-23222-02

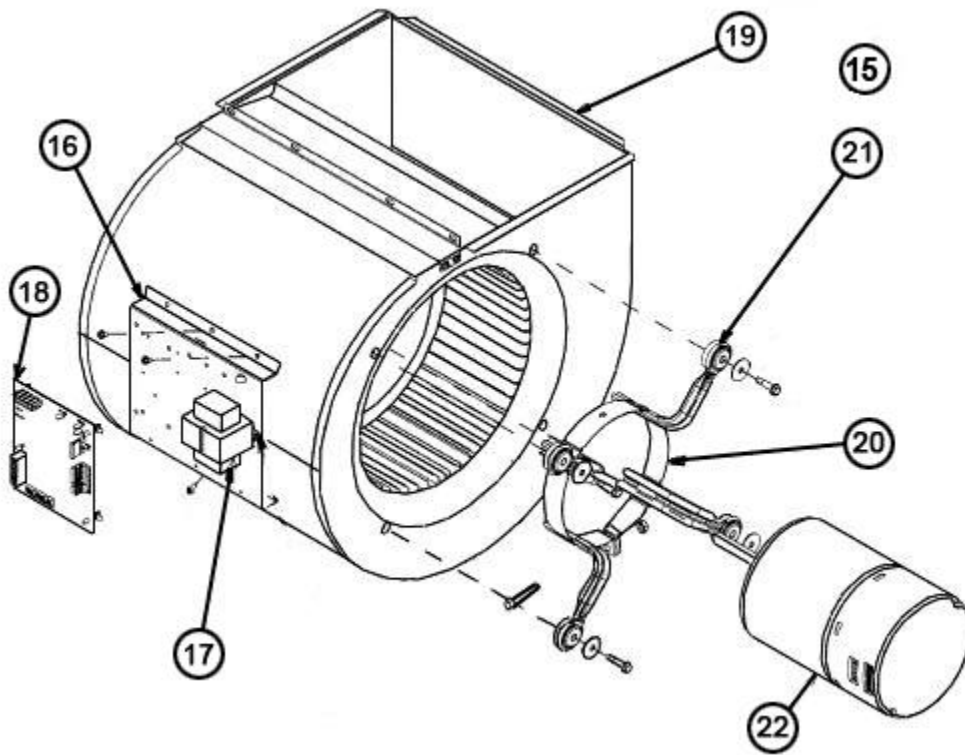
No.	Notes	MODEL CAPACITY CABINET SIZE VOLTAGE VARIATION	RHML	RHML	RHML	RHML
			24 21 J A	36 21 J A	48 24 J A	60 24 J A
<b>BLOWER GROUP</b>						
15	Stk	Blower Assembly (Includes items 16-22)	AS-101886-07	AS-101886-08	AS-101886-09	AS-101886-10
16		Mounting Bracket - Control Board	AE-101049-01	AE-101049-01	AE-101049-01	AE-101049-01
17		Transformer	See Electrical Group			
18		Control Board - ECM	See Electrical Group			
19		Blower Housing w/Wheel	70-101729-02	70-101729-08	70-101729-04	70-101729-04
20		Motor Mount - Band	70-19927-04	70-19927-04	70-19927-04	70-19927-04
21		Motor Mount - Arm (4)	70-19929-10	70-19929-10	70-19929-10	70-19929-10
22	Stk	Blower Motor - (X-13)	51-101879-08	51-101920-22	51-101920-23	51-101920-24
	Stk	Blower Wheel	703014	703023	703015	703015
		Wiring Harness - Indoor Blower Motor	See Electrical Group			
23		Mounting Bracket Cover	AE-101797-01	AE-101797-01	AE-101797-01	AE-101797-01

No.	Notes	MODEL	RHML	RHML	RHML	RHML
		CAPACITY	24	36	48	60
		CABINET SIZE	21	21	24	24
		VOLTAGE	J	J	J	J
		VARIATION	A	A	A	A
<b>COIL GROUP</b>						
12	Replacement Coil w/TXV		RCSN-HM2421CU	RCSL-HM3821CU	RCSN-HM4824CU	RCSN-HM6024CU
	TXV		See Coil Parts List			
	Drain Pan		See Coil Parts List			

No.	Notes	MODEL	RHML	RHML	RHML	RHML
		CAPACITY	24	36	48	60
		CABINET SIZE	21	21	24	24
		VOLTAGE	J	J	J	J
		VARIATION	A	A	A	A
<b>HEATER KITS</b>						
	Heater Kit - 3kW		RXBH-1724A03J RXBH-1724B03J RXBH-1724C03J			
	Heater Kit - 5kW		RXBH-1724A05J RXBH-1724B05J RXBH-1724C05J	RXBH-1724A05J RXBH-1724B05J RXBH-1724C05J	RXBH-1724A05J RXBH-1724B05J RXBH-1724C05J	RXBH-1724A05J RXBH-1724B05J RXBH-1724C05J
	Heater Kit - 7kW		RXBH-1724A07J RXBH-1724B07J RXBH-1724C07J	RXBH-1724A07J RXBH-1724B07J RXBH-1724C07J	RXBH-1724A07J RXBH-1724B07J RXBH-1724C07J	RXBH-1724A07J RXBH-1724B07J RXBH-1724C07J
	Heater Kit - 10kW		RXBH-1724A10J RXBH-1724B10J RXBH-1724C10J	RXBH-1724A10J RXBH-1724B10J RXBH-1724C10J	RXBH-1724A10J RXBH-1724B10J RXBH-1724C10J	RXBH-1724A10J RXBH-1724B10J RXBH-1724C10J
	Heater Kit - 13kW		RXBH-1724A13J			
	Heater Kit - 15kW			RXBH-1724A15J	RXBH-1724A15J	RXBH-1724A15J
	Heater Kit - 18kW			RXBH-1724A18J	RXBH-1724A18J	RXBH-1724A18J
	Heater Kit -20kW				RXBH-24A20J	RXBH-24A20J
	Heater Kit - 25kW				RXBH-24A25J	RXBH-24A25J
	Heater Kit - 30kW					RXBH-24A30J



Exploded View



Blower Assembly

# NOTES

Stk It is recommended that stock be maintained for this part.  
N/A Not Applicable

**DISCLAIMER:** This document is intended to provide general replacement parts information to aid qualified service personnel in the repair of these models. The complete Model and Serial Number of the unit under repair should be specified when selecting and ordering replacement parts. Specifications and illustrations are subject to change without notice. Document 92-42800-RHML supersedes all previous parts lists for these models. See <http://www.rheempartslists.net/92-42800-RHML> for the latest revision of this document. The manufacturer assumes no obligation for errors or omissions. Service personnel must verify the proper and safe operation of equipment after the replacement of any original components.